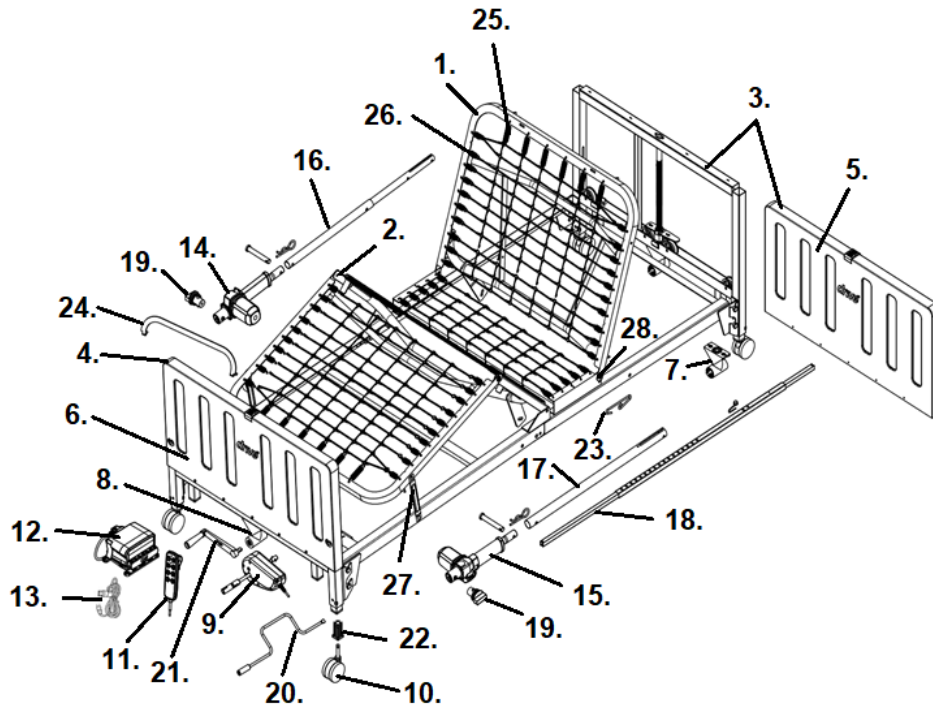


15005LP LOW FULL ELECTRIC BED S/N 1S210429849 & later



- | | |
|-----------------------------------|---|
| 1. Head spring - 15008 | 14. Head motor- 15015MH-D |
| 2. Foot Spring- 15013-L | 15. Foot motor- 15015MF-D |
| 3. Head Board - 15547H-P | 16. Head Motor Tube- 15005H1025-D |
| 4. Foot Board - 15547F-P | 17. Foot Motor Tube- 15005F1025-D |
| 5. Head Board Panel- 15547HPC-1 | 18. Hi/Lo Shaft- 15005S |
| 6. Foot Board panel - 15547FPC-1 | 19. Quick Release Pin - 15005P-1028 |
| 7. Head Board Gear Box- 15544HGB | 20. Emergency Head/Foot Crank- 15552-05 |
| 8. Foot Board Gear Box- 15044FGB | 21. Emergency Hi/Low Crank- 15544C |
| 9. Hi/lo motor- 15005HL-D | 22. Caster Receptacle- 15005P-1027 |
| 10. Caster w/lock- 15044CI | 23. Sleep Surface Hook- 15005P-1040 |
| Caster w/o lock- 15044CNL | 24. Mattress Stop- 15005P-1024 |
| Caster Set (2 of ea)- 15044CSET | 25. Head Extension Spring- 15005-SPRING |
| 11. Hand Pendant- 15005HC-D | 26. Side Extension Spring- 15005-SPRING-1 |
| 12. Motor Control Box- 15005JBN-D | 27. Frame Linkage- 15030-FRLINK |
| 13. Power Cord- 15005PC-D | 28. Spring Deck Bolt- 15030-FRLINK [1] |

[1] 2 of these bolts included with this part.