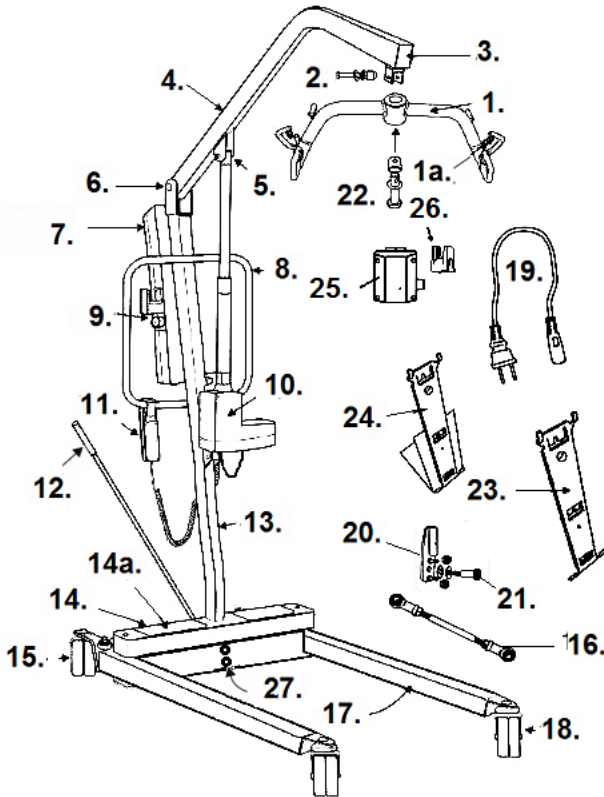


13240 & 13242

Linak Electronics



- 1. 4/6 Point Cradle- 13050
- 1a. Spring Loaded Clip- 13240-CC-SL
- 2. Cradle Attachment Bolt- 13240CAB
Cradle Attachment Bolt- 13244CAB *
- 3. Square Frame Plug- 13240FP

* Serial number 4A1905..... and higher.
 ** Attaching bolt (M6 X 1.00 X 10mm) not included.
 *** Serial number 4A1206..... and higher.

- 4. Upper Boom- 13240MU
Upper Boom- 13244MU *
- 5. Upper Actuator Bolt- 13240UBA
- 6. Mast Hinge Bolt- 13240MHB
- 7. Battery Pack- 13240BATT
Battery Cell (2 needed)- 13240BC
Battery Pack Fuse- CPCFUSE
- 8. Push Handle- 13240PH **
- 9. Controller- 1324614
- 10. Actuator- 13240A
- 11. Hand Pendant- 13240HC
- 12. Spreader Bar- 13240BSB
Spreader Bar Hand Grip- 13240SBH
- 13. Lower Mast- 13240ML
- 14. Foot Plate- 13240F
- 14a. Foot Pad- 13240FGP
- 15. Caster with Lock- 13240CAL
- 16. Base Actuating Rod (pr)- 13240BAR-PR
- 17. Base- 13240B
- 18. Caster w/o Lock- 13240CA
- 19. Power Cord- 13255PC
- 20. Receiver Plate Assembly- 13240RPA
- 21. Actuating Rod Bolt- 13240ARB
Actuating Rod Bolt- 13240ARB-N ***
- 22. Cradle Pivot Bolt- 13058PB
Cradle Pivot Bolt- 13058PB-N *
- 23. Battery & Controller Bracket- 13260
- 24. Charger Stand- 1324626
- 25. External Charger- 13255
- 26. Power Cord Holder- 13255PCH
- 27. Mast Locking Bolt- 13240MLB
- N.S. Spreader Locking Plate- 13240AP