



Fortress 1700 DT/TA

Three and Four Wheel Scooter

**Parts Manual
101700-CAN
Rev E
September
2022**

FORTRESS

TABLE OF CONTENTS

1700DT/TA Scooters: Identify Which Model You Have.....	3
Identifying Which Version of Scooter You Have Rev.1 or Rev.2	4
Fortress 1700DT Assembly (3 Wheel).....	5
Fortress 1700DT Assembly (4 Wheel).....	6
Fortress 1700TA Assembly (3 Wheel)	7
Fortress 1700TA Assembly (4 Wheel).....	8
Front Wheel 10" Assembly.....	9
Rear Wheel 10" Assembly	10
Rear Bumper Assembly	11
Top Console Assembly – Rev.2.....	12
Top Console Assembly – Rev.1	13
Bottom Console Assembly.....	14
Tiller Assembly.....	15
Tiller Strut Assembly.....	16
Battery Cover Assembly	17
Rear Motor Cover Assembly.....	18
Front Frame Assembly (3 Wheel)	19
Front Fork Assembly (3 Wheel)	20
Front Cover Assembly (3 Wheel).....	21
Front Frame Assembly (4 Wheel)	22
Front Cover Assembly (4 Wheel).....	23
Swingarm LH Assembly.....	24
Swingarm RH Assembly	25
Harnesses – Rev. 2.....	26
Harnesses – Rev. 1.....	27
Rear Frame Assembly 1700DT.....	28
Rear Frame Assembly Top	29
Rear Frame Bottom 1700DT Assembly – Metric	30
Rear Frame Bottom 1700DT Assembly – Imperial	31
SH Motor DT Assembly.....	32
Rear Frame Assembly 1700TA	33
Rear Frame Bottom 1700TA Assembly.....	34
Transaxle Assembly TA	35
Captain Seat Regular Assembly	36
Captain Seat H/Back Assembly.....	37
Armrest Adjustable Assembly.....	38
Scooter Accessories.....	39

1700DT/TA SCOOTERS: IDENTIFY WHICH MODEL YOU HAVE

SERIAL OR "ID NR" PLATE

Fortress 1700DT/TA scooters use a system on serial number plates to identify build dates and models. The serial plate (A) is located on an angled plate above the controller under the motor cover. The seat has to be removed to access this.

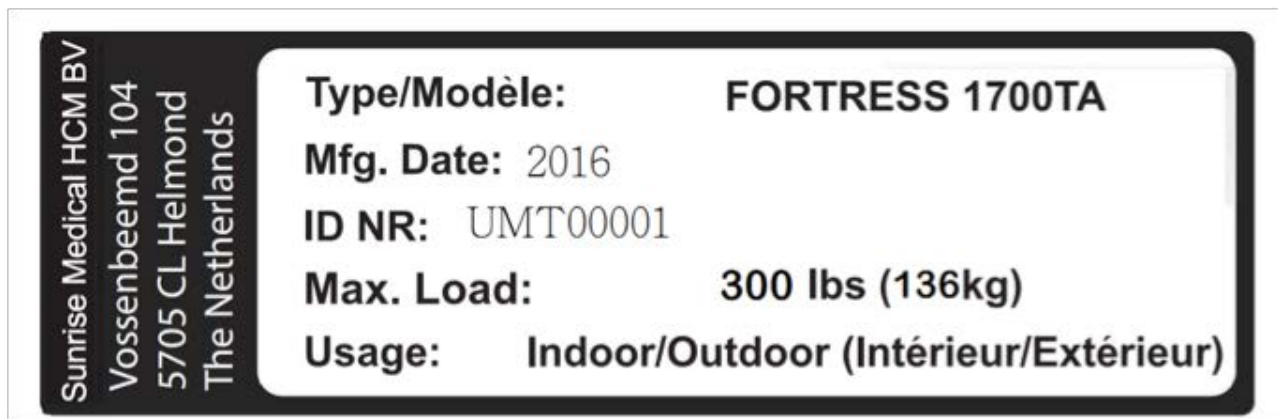
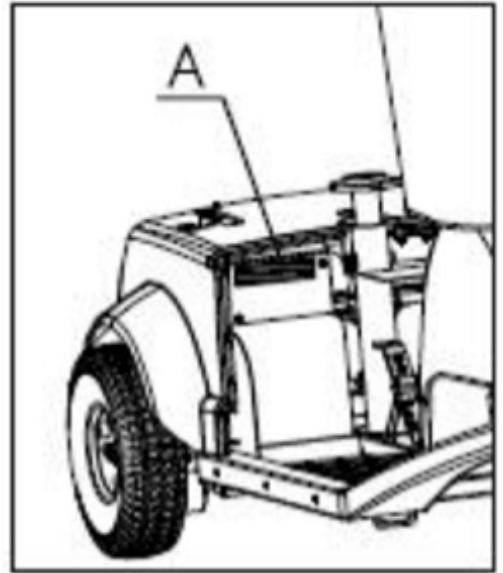
The system:

- **FIRST LETTER** = Year. As the first letter increases so does the year of manufacturing:
K = 2007, L = 2008, M = 2009, N = 2010, P = 2011, Q = 2012, R = 2014, S = 2015, T = 2015, U = 2016 and so on.
- **SECOND LETTER** = Project name common to the 1700DT/TA series.
"M" = MAESTRO
- **THIRD LETTER** = Scooter type. "T" = 1700TA, "D" = 1700DT
- **FOURTH**: The numbers = production sequence or batch.

THERE ARE TWO REVISIONS OF THE 1700DT/TA SCOOTERS

Many parts are common (plastics, frames, seating, wheels etc.), but other parts like electrical components (and even controller programming) are specific to a model type or revision for compatibility. Many of these parts are designed just not to fit preventing the wrong version from being installed (See Pg. 4):

- Rev. 1 was introduced in October 2007 and ended April 2009.
- Rev. 2 started in May 2009 and is the current running version.



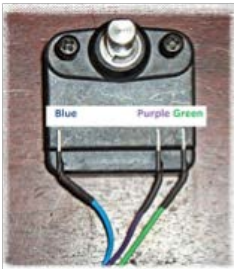



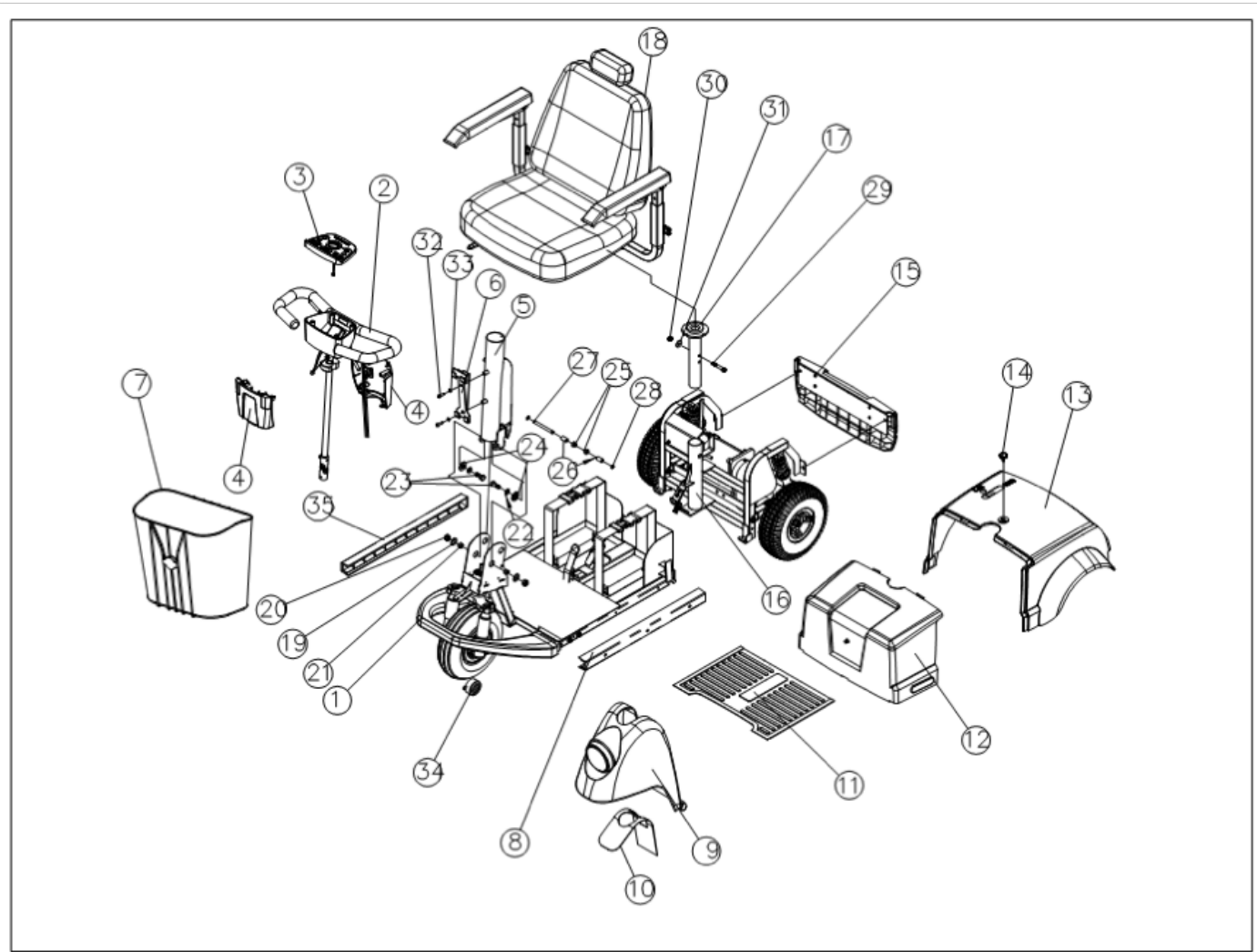
A 1700TA SERIAL OR "ID NR" PLATE

IDENTIFYING WHICH VERSION OF SCOOTER YOU HAVE: REV.1 OR REV.2?

The differences can be identified by: (a) serial number and (b) visual inspection to electrical components (harnesses, potentiometer or console PCB). The older Rev.1: are now out of warranty.

- **1700DT REV. 1** (start and end) serial numbers: **KMD00001 – MMD00052**
- **1700TA REV. 1** (start and end) serial numbers: **KMT00001 – MMT00030**
- **1700DT REV.2** (start): serial numbers: **MMD00053** – forwards,
- **1700TA REV.2** (start): serial numbers: **MMT00031** – forwards

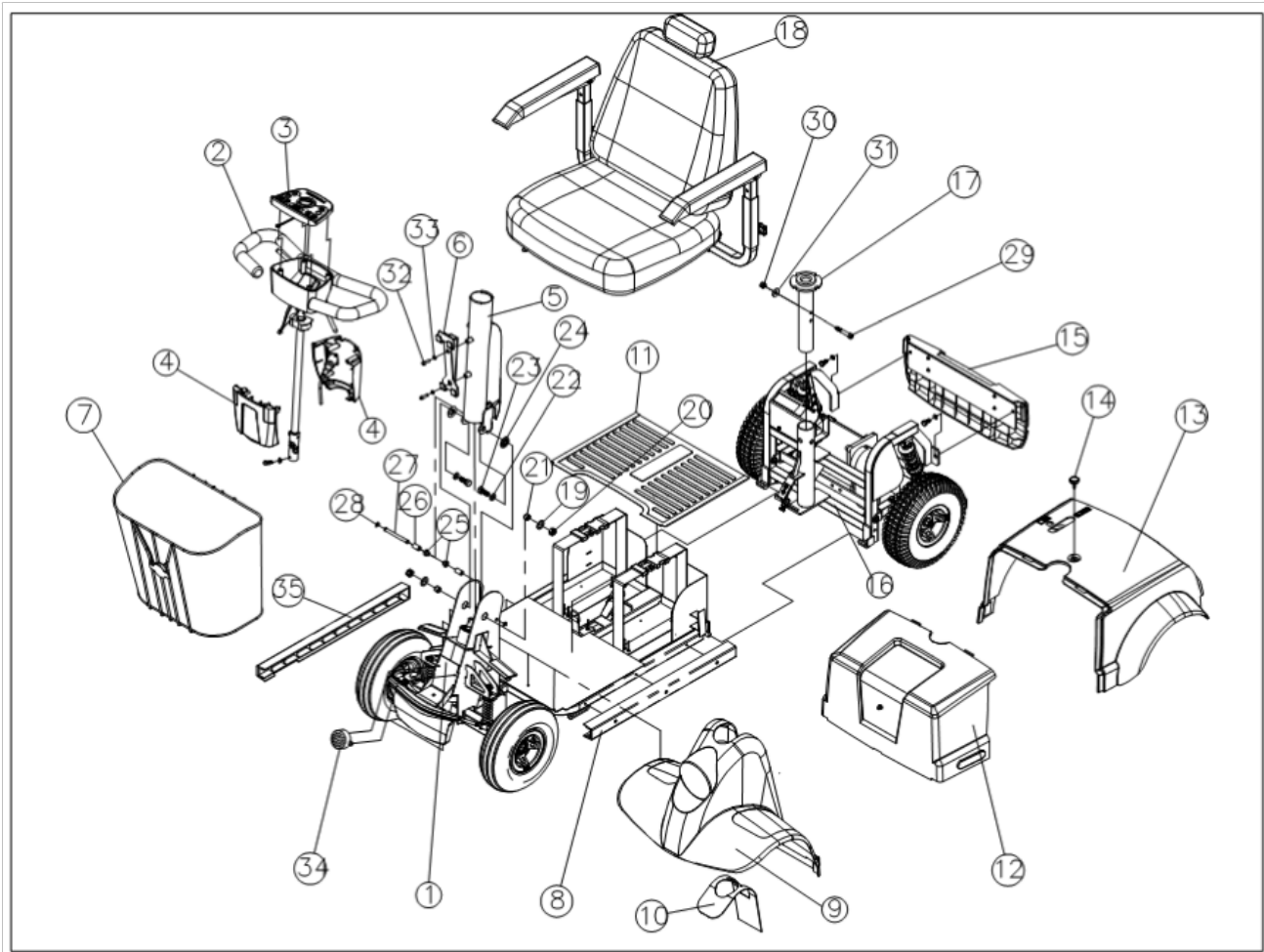
FRONT END DIFFERENCES		
COMPONENT	1700 SERIES REV. 1 (DISCONTINUED)	1700 SERIES REV. 2 (CURRENT)
Speed Switch	SWITCH SPEED SELECTOR Rev.1 (DISCONTINUED) Resistors wired in series with 2-wire conn.	SWITCH SPEED SELECTOR Rev.2 (HC-14731092) Resistors Wired in parallel with 3-wire conn.
Console/PCB	<ul style="list-style-type: none"> • CONSOLE ASSEMBLY - TOP Rev.1 (DISCONTINUED) • Circuit board GREEN w/ 24-pin Molex conn. 	<ul style="list-style-type: none"> • CONSOLE ASSEMBLY - TOP Rev.2 (HC-018501) • Circuit board BLUE w/ 18-pin Molex conn 
Potentiometer	<ul style="list-style-type: none"> • POTENTIOMETER THROTTLE Rev.1 (HC-14731130)  <p>Pot. same: reversed PURPLE & BLUE Wires</p>	<ul style="list-style-type: none"> • POTENTIOMETER THROTTLE Rev.2 (HC-14731131)  <p>Pot. same: reversed BLUE & PURPLE Wires</p>
Horn	<ul style="list-style-type: none"> • HORN FRONT Rev.1 (DISCONTINUED) 	<ul style="list-style-type: none"> • HORN FRONT Rev.2 (HC-14731113) rev. (+) & (-)
Harnesses	<ul style="list-style-type: none"> • CABLE TILLER HARNESS Rev.1 (DISCONTINUED) • CABLE MAIN HARNESS Rev.1 (DISCONTINUED) • CHARGER PORT W/CABLE Rev.1 (DISCONTINUED) • CABLE REAR HARNESS Rev.1 (DISCONTINUED) • CABLE BATTERY HARNESS Rev.1 (DISCONTINUED) 	<ul style="list-style-type: none"> • CABLE TILLER HARNESS Rev.2 (HC-14731004) • CHARGER PORT W/CABLE Rev.2 (HC-14735002) • CABLE REAR HARNESS Rev.2 (HC-14732008) • CABLE BATTERY HARNESS Rev.2 (HC-14732009)
REAR SECTION DIFFERENCES		
Controller	<ul style="list-style-type: none"> • Ver. 1.13+ Firmware, Rev.1 1700DT & 1700TA 	<ul style="list-style-type: none"> • Ver. 2.0 Firmware, Rev.2 1700DT & 1700TA
Rear Light Harness	<ul style="list-style-type: none"> • HARNESS REAR LIGHT Rev.1 (DISCONTINUED) 	<ul style="list-style-type: none"> • HARNESS REAR LIGHT ASSY Rev.2 (HC-14732012)
1700 DT Differential	<ul style="list-style-type: none"> • DIFFERENTIAL W/40A27 SPROCKET (HC-017392) traditional 3/4" Fortress differential, rear bearings, housings, key stocks, retaining rings • S/N: between KMD00001-MMD01000 	<ul style="list-style-type: none"> • METRIC DIFFERENTIAL DT (HC-018524) use of 20mm metric differential, metric bearings, key stocks and retaining rings • S/N: NMD00001 onwards (April 2010).



FORTRESS 1700DT 3W ASSEMBLY

Item	Description	Part No.	QTY
1	FRAME FRONT 3W ASSY R2	HC-018506	1
2	TILLER ASSY	See Page 15	1
3	CONSOLE ASSY TOP	See Page 12	1
4	CONSOLE ASSY BOTTOM	See Page 15	1
5	STRUT TILLER ASSY	See Page 16	1
6	BRACKET BASKET SUPPORT	HC-14751010	1
7	BASKET FRONT LARGE DT	HC-14751001	1
8	SIDE BOARD PLASTIC LT	HC-14701303	1
9	COVER FRONT 3W ASSY	HC-14701301	1
10	TILLER PROTECT PLASTIC	HC-14701304	1
11	MAT FLOOR 3W	HC-14701302	1
12	COVER BATTERY ASSY	HC-04713B00	1
13	COVER MOTOR ASSY R2	HC-018505	1
14	KNOB M5	HC-14220009	1
15	BUMPER REAR ASSY	HC-04713D00	1
16	FRAME REAR ASSY DT R2	HC-018508	1
17	SEAT POST W/BUSHING	HC-04212100	1
18	SEAT ASSY CAPTAIN REG.	HC-04713A00	1
19	FLAT WASHER METAL	HC-WE162515	1
20	LOCK NUT M10 X P1.25	HC-NN10P125	1
21	BUSHING 9.2MM LG	HC-14714006	1

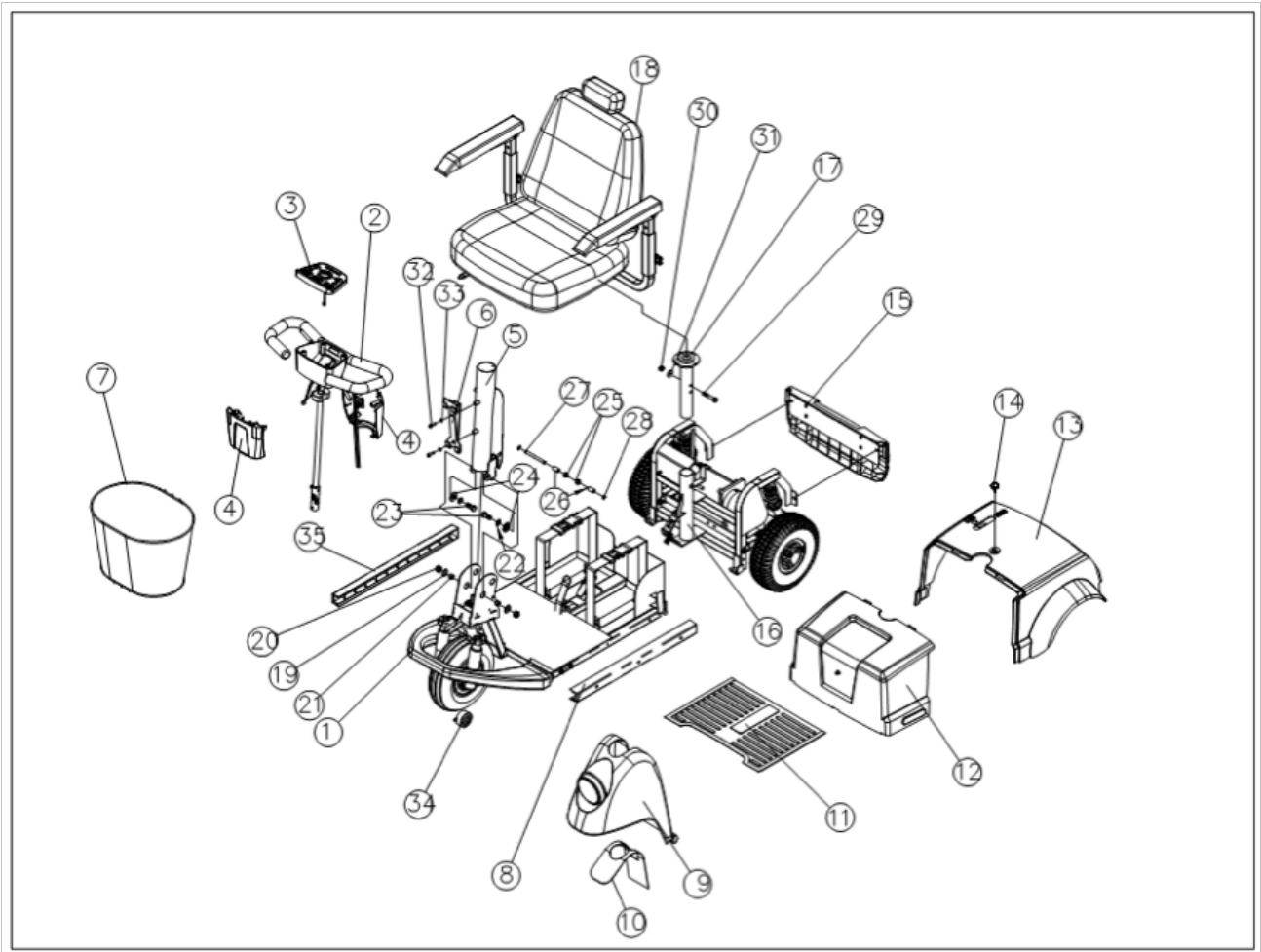
Item	Description	Part No.	QTY
22	FLAT WASHER METAL	HC-WE101920	1
23	BOLT M10 X 25MM LG	HC-BH10025	1
24	BUSH SHOULDER 4.7MM LG	HC-14714002	1
25	BUSH SHOULDER 11MM LG	HC-14211012	1
26	BUSHING 20.5MM LG	HC-14714003	1
27	SHAFT 85MM LG	HC-14714004	1
28	RETAINING RING	HC-CE061208	2
29	BOLT M8 X 50MM LG	HC-BM08050	1
30	LOCKNUT M8 X 20MM LG	HC-NN08P125	1
31	FLAT WASHER METAL	HC-WE822320	1
32	SCREW M6 X 20MM LG	HC-SD06020	1
33	WASHER SPRING METAL	HC-WS641015	1
34	HORN REV.2	HC-14731113	1
35	SIDE BOARD PLASTIC RT	HC-14701305	1



FORTRESS 1700DT 4W ASSEMBLY

Item	Description	Part No.	QTY
1	FRAME FRONT 4W ASSY R2	HC-018507	1
2	TILLER ASSY	See Page 15	1
3	CONSOLE ASSY TOP	See Page 12	1
4	CONSOLE ASSY BOTTOM	See Page 15	1
5	STRUT TILLER ASSY	See Page 16	1
6	BRACKET BASKET SUPPORT	HC-14751010	1
7	BASKET FRONT LARGE DT	HC-14751001	1
8	SIDE BOARD PLASTIC LT	HC-14701303	1
9	COVER FRONT 4W ASSY	HC-04714900	1
10	TILLER PROTECT PLASTIC	HC-14701304	1
11	MAT FLOOR 4W	HC-14701402	1
12	COVER BATTERY ASSY	HC-04713B00	1
13	COVER MOTOR ASSY R2	HC-018505	1
14	KNOB M5	HC-14220009	1
15	BUMPER REAR ASSY	HC-04713D00	1
16	FRAME REAR ASSY DT R2	HC-018508	1
17	SEAT POST W/BUSHING	HC-04212100	1
18	SEAT ASSY CAPTAIN H/BACK	HC-04212000	1
19	FLAT WASHER METAL	HC-WE162515	1
20	LOCK NUT M10 X P1.25	HC-NN10P125	1
21	BUSHING 9.2MM LG	HC-14714006	1

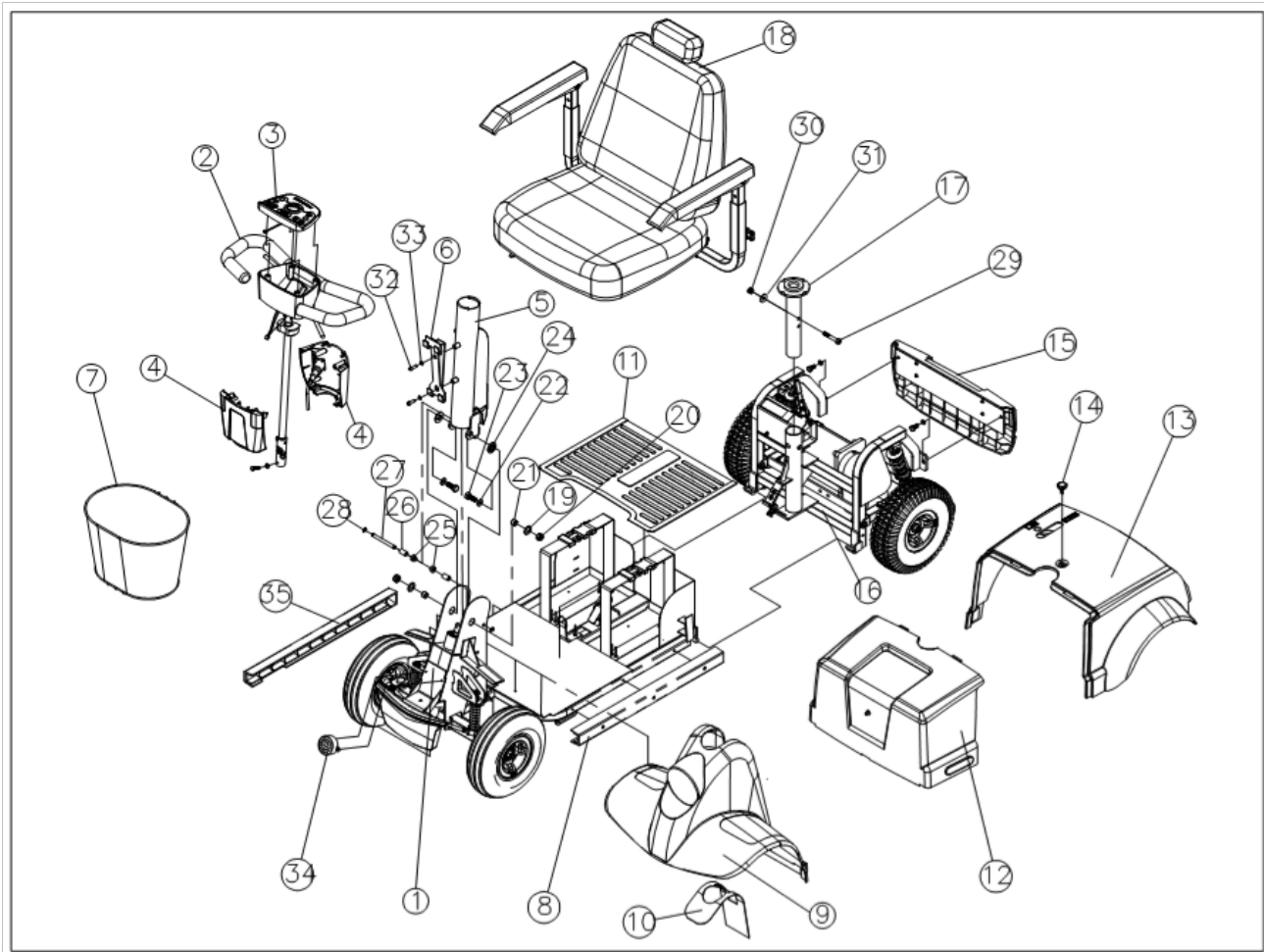
Item	Description	Part No.	QTY
22	FLAT WASHER METAL	HC-WE101920	1
23	BOLT M10 X 25MM LG	HC-BH10025	1
24	BUSH SHOULDER 4.7MM LG	HC-14714002	1
25	BUSH SHOULDER 11MM LG	HC-14211012	1
26	BUSHING 20.5MM LG	HC-14714003	1
27	SHAFT 85MM LG	HC-14714004	1
28	RETAINING RING	HC-CE061208	1
29	BOLT M8 X 50MM LG	HC-BM08050	1
30	LOCKNUT M8 X 20MM LG	HC-NN08P125	1
31	FLAT WASHER METAL	HC-WE822320	1
32	SCREW M6 X 20MM LG	HC-SD06020	1
33	WASHER SPRING METAL	HC-WS641015	1
34	HORN REV.2	HC-14731113	1
35	SIDE BOARD PLASTIC RT	HC-14701305	1



FORTRESS 1700TA 3W ASSEMBLY

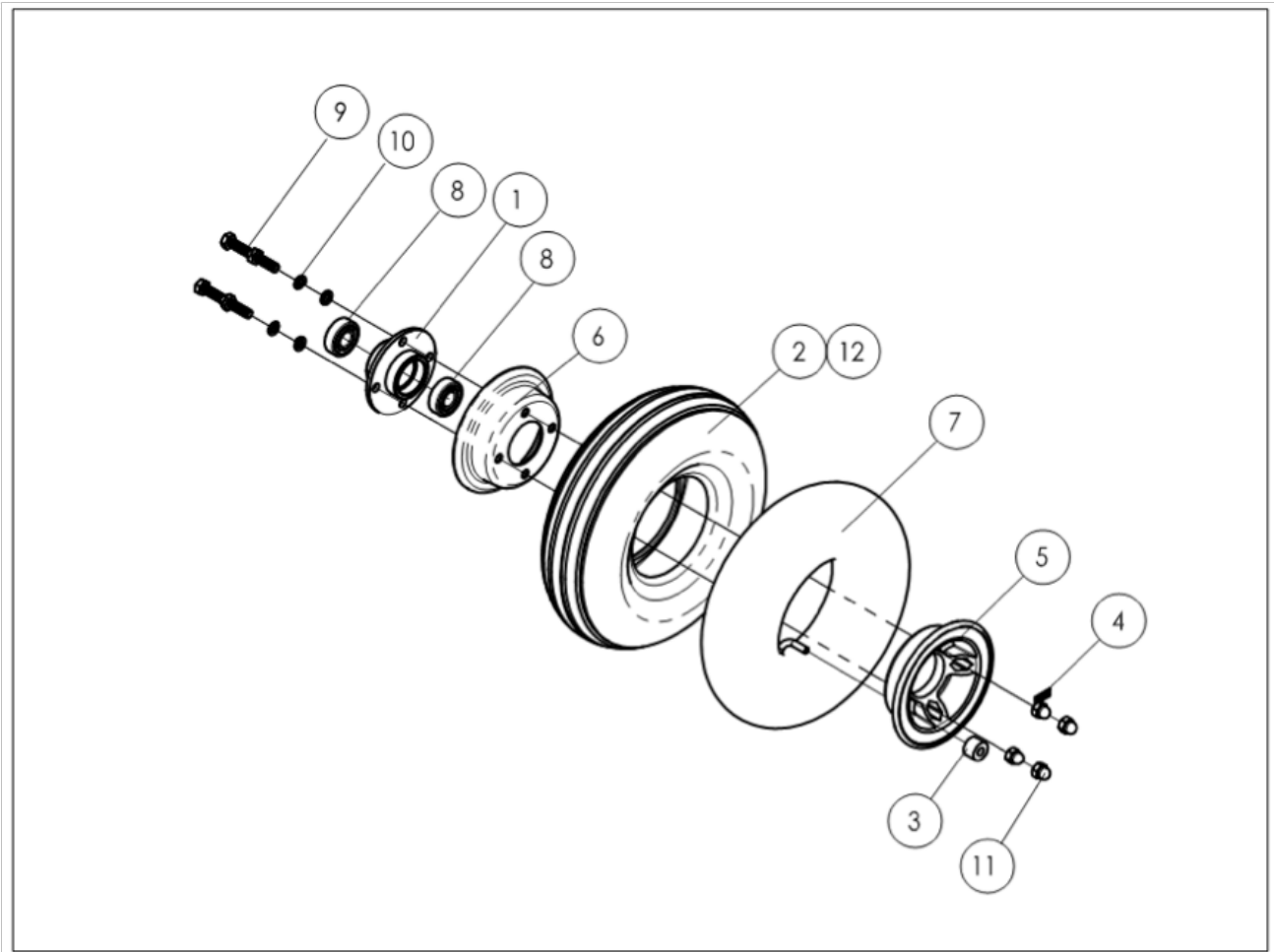
Item	Description	Part No.	QTY
1	FRAME FRONT 3W ASSY R2	HC-018506	1
2	TILLER ASSY	See Page 15	1
3	CONSOLE ASSY TOP	See Page 12	1
4	CONSOLE ASSY BOTTOM	See Page 15	1
5	STRUT TILLER ASSY	See Page 16	1
6	BRACKET BASKET SUPPORT	HC-14751010	1
7	BASKET FRONT TA	HC-14551001	1
8	SIDE BOARD PLASTIC LT	HC-14701303	1
9	COVER FRONT 3W ASSY	HC-14701301	1
10	TILLER PROTECT PLASTIC	HC-14701304	1
11	MAT FLOOR 3W	HC-14701302	1
12	COVER BATTERY ASSY	HC-04713B00	1
13	COVER MOTOR ASSY R2	HC-018505	1
14	KNOB M5	HC-14220009	1
15	BUMPER REAR ASSY	HC-04713D00	1
16	FRAME REAR ASSY TA R2	HC-018509	1
17	SEAT POST W/BUSHING	HC-04212100	1
18	SEAT ASSY CAPTAIN REG.	HC-04713A00	1
19	FLAT WASHER METAL	HC-WE162515	1
20	LOCK NUT M10 X P1.25	HC-NN10P125	1

Item	Description	Part No.	QTY
21	BUSHING 9.2MM LG	HC-14714006	1
22	FLAT WASHER METAL	HC-WE101920	1
23	BOLT M10 X 25MM LG	HC-BH10025	1
24	BUSH SHOULDER 4.7MM LG	HC-14714002	1
25	BUSH SHOULDER 11MM LG	HC-14211012	1
26	BUSHING 20.5MM LG	HC-14714003	1
27	SHAFT 85MM LG	HC-14714004	1
28	RETAINING RING	HC-CE061208	2
29	BOLT M8 X 50MM LG	HC-BM08050	1
30	LOCKNUT M8 X 20MM LG	HC-NN08P125	1
31	FLAT WASHER METAL	HC-WE822320	1
32	SCREW M6 X 20MM LG	HC-SD06020	1
33	WASHER SPRING METAL	HC-WS641015	1
34	HORN REV.2	HC-14731113	1
35	SIDE BOARD PLASTIC RT	HC-14701305	1



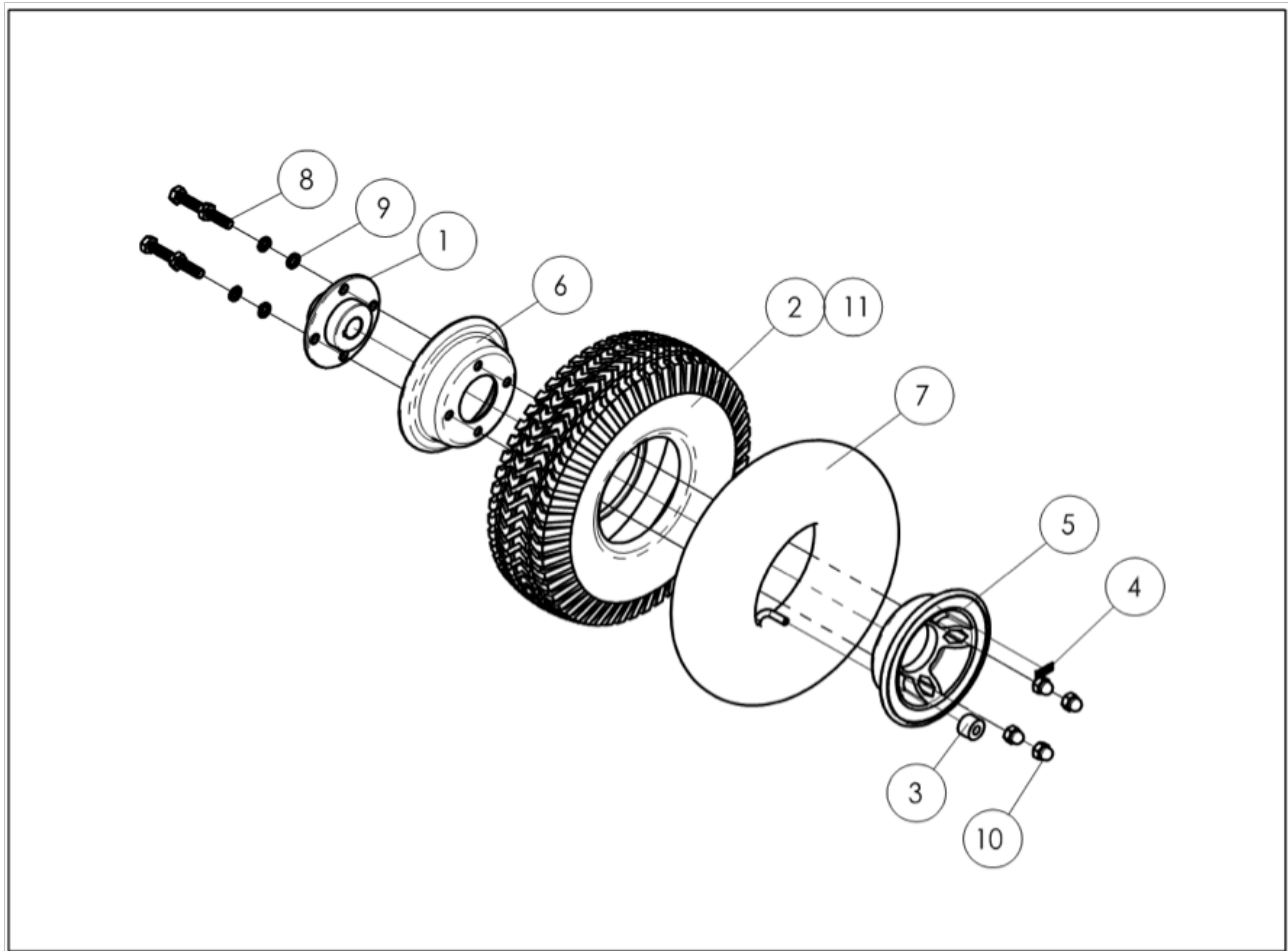
FORTRESS 1700TA 4W ASSEMBLY

Item	Description	Part No.	QTY	Item	Description	Part No.	QTY
1	FRAME FRONT 4W ASSY R2	HC-018507	1	21	BUSHING 9.2MM LG	HC-14714006	1
2	TILLER ASSY	See Page 15	1	22	FLAT WASHER METAL	HC-WE101920	1
3	CONSOLE ASSY TOP	See Page 12	1	23	BOLT M10 X 25MM LG	HC-BH10025	1
4	CONSOLE ASSY BOTTOM	See Page 15	1	24	BUSH SHOULDER 4.7MM LG	HC-14714002	1
5	STRUT TILLER ASSY	See Page 16	1	25	BUSH SHOULDER 11MM LG	HC-14211012	1
6	BRACKET BASKET SUPPORT	HC-14751010	1	26	BUSHING 20.5MM LG	HC-14714003	1
7	BASKET FRONT TA	HC-14551001	1	27	SHAFT 85MM LG	HC-14714004	1
8	SIDE BOARD PLASTIC LT	HC-14701303	1	28	RETAINING RING	HC-CE061208	1
9	COVER FRONT 4W ASSY	HC-04714900	1	29	BOLT M8 X 50MM LG	HC-BM08050	1
10	TILLER PROTECT PLASTIC	HC-14701304	1	30	LOCKNUT M8 X 20MM LG	HC-NN08P125	1
11	MAT FLOOR 4W	HC-14701402	1	31	FLAT WASHER METAL	HC-WE822320	1
12	COVER BATTERY ASSY	HC-04713B00	1	32	SCREW M6 X 20MM LG	HC-SD06020	1
13	COVER MOTOR ASSY R2	HC-018505	1	33	WASHER SPRING METAL	HC-WS641015	1
14	KNOB M5	HC-14220009	1	34	HORN REV.2	HC-14731113	1
15	BUMPER REAR ASSY	HC-04713D00	1	35	SIDE BOARD PLASTIC RT	HC-14701305	1
16	FRAME REAR ASSY TA R2	HC-018509	1				
17	SEAT POST W/BUSHING	HC-04212100	1				
18	SEAT ASSY CAPTAIN REG.	HC-04713A00	1				
19	FLAT WASHER METAL	HC-WE162515	1				
20	LOCK NUT M10 X P1.25	HC-NN10P125	1				



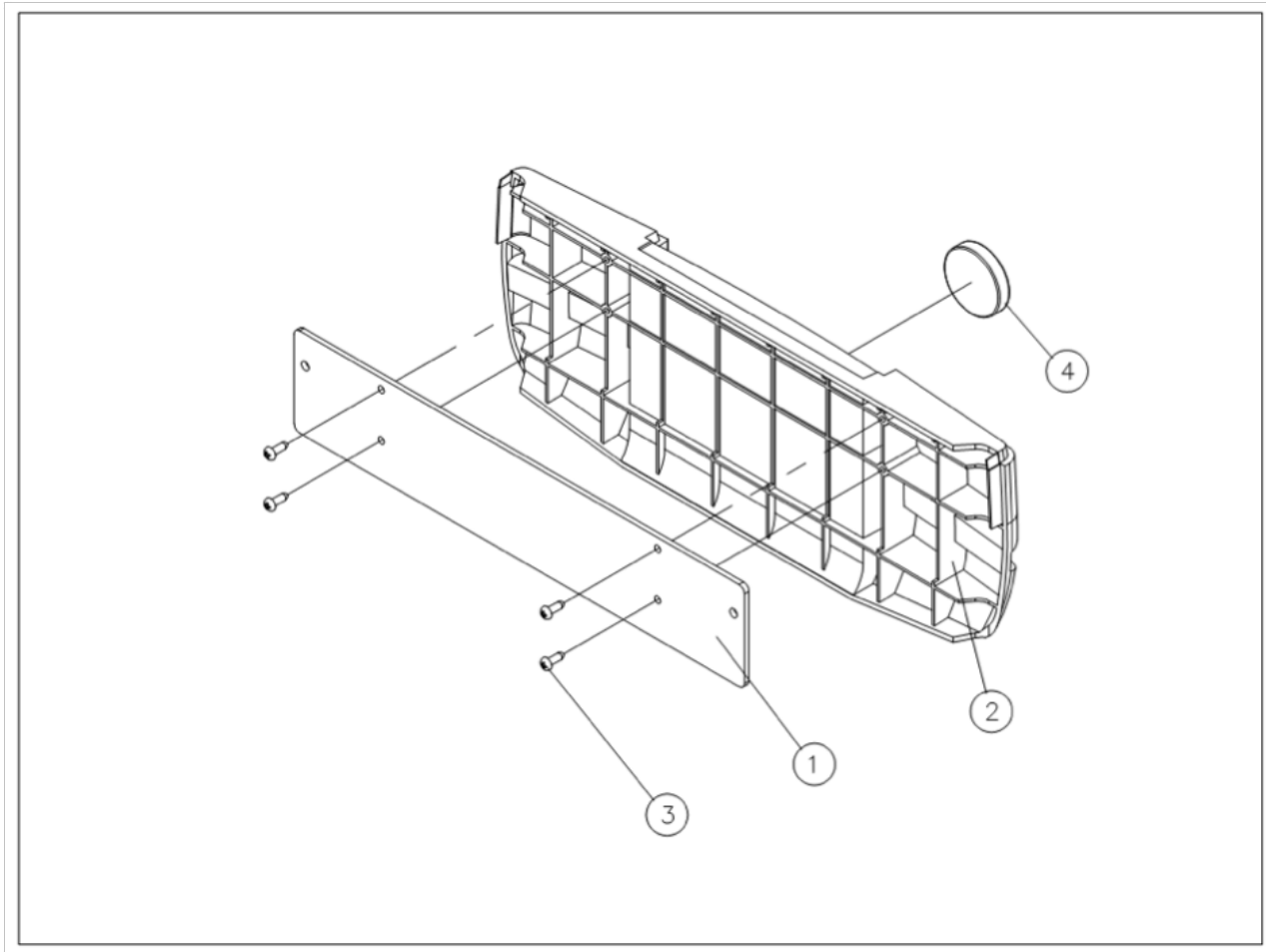
FRONT WHEEL 10" ASSEMBLY

Item	Description	Part No.	QTY
1	HUB FRONT WHEEL 10"	HC-14350201	1
2	TIRE FRONT 10" RIBBED THR.	HC-000191	1
3	SPACER BUSH PLASTIC	HC-14250001	1
4	LABEL MAX. 3.5 BAR	HC-14550002	1
5	RIM OUTER 10" ALUM.	HC-14750203	1
6	RIM INNER 10" IRON	HC-14350202	1
7	TUBE INNER 10"	HC-000195	1
8	BEARING FRONT WHEEL	HC-14253007	2
9	SCREW M8 X 25MM	HC-SH08025	4
10	SPRING WASHER METAL	HC-WS821320	4
11	NUT M8 X P1.25	HC-NA08P125	4
12	TIRE FRONT 10" FOAM FILLED	HC-008959	1
1 - 11	WHEEL FRONT 10" ASSEMBLY	HC-04750200	1
1, 3 - 8, 8 - 12	WHEEL FRONT 10" FOAM ASSY	HC-018461	1



REAR WHEEL 10" ASSEMBLY

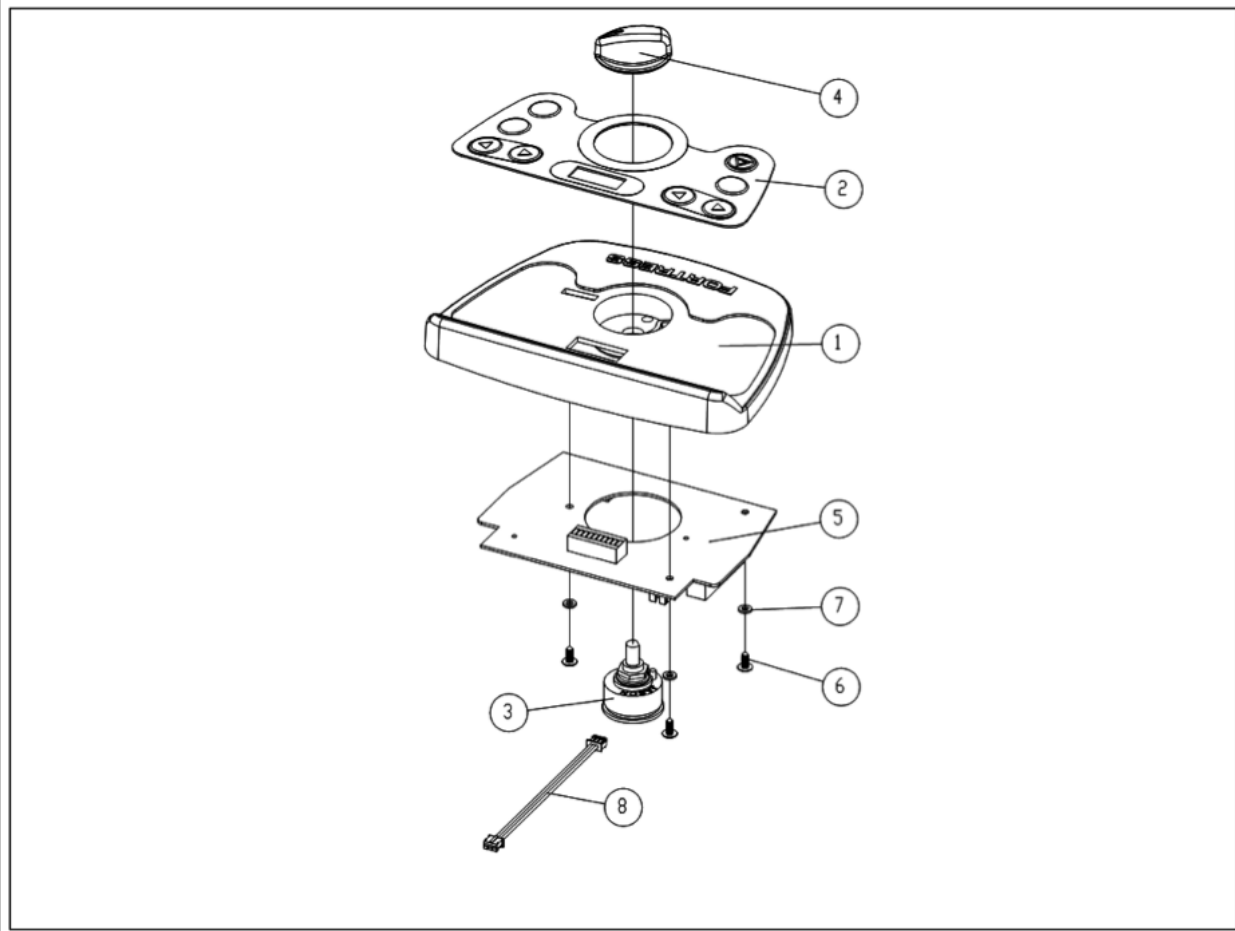
Item	Description	Part No.	QTY
1	HUB REAR WHEEL 10"	HC-14350101	1
2	TIRE REAR 10" DIAMOND THR.	HC-000190	1
3	SPACER BUSH PLASTIC	HC-14250001	1
4	LABEL MAX 3.5 BAR	HC-14550002	1
5	OUTER RIM 10" ALUM	HC-14750203	1
6	INNER RIM 10" IRON	HC-14350202	1
7	TUBE INNER 10"	HC-000195	1
8	SCREW M8 X 25MM LG	HC-SH08025	4
9	SPRING WASHER METAL	HC-WS821320	4
10	NUT M8 X P1.25	HC-NA08P125	4
11	TIRE REAR 10" FOAM FILLED	HC-008961	1
12	TIRE FRONT 10" FOAM FILLED	HC-008959	1
1 - 11	WHEEL REAR 10" ASSEMBLY	HC-04750100	1
1, 3 - 8, 8 - 12	WHEEL REAR 10" FOAM ASSY	HC-018462	1



REAR BUMPER ASSEMBLY

Item	Description	Part No.	QTY
1	PLATE METAL 4MM THK	N/A	1
2	BUMPER REAR PLASTIC	N/A	1
3	SCREW M5 X 8MM LG	HC-SB05015	4
4	REFLECTOR REAR	HC-14502102	1
1 - 4	BUMPER REAR ASSY	HC-04713D00	1

NOTE: for use on newer models 1700 DT (MMD0053 forwards) & 1700TA (MMT00031 forwards)

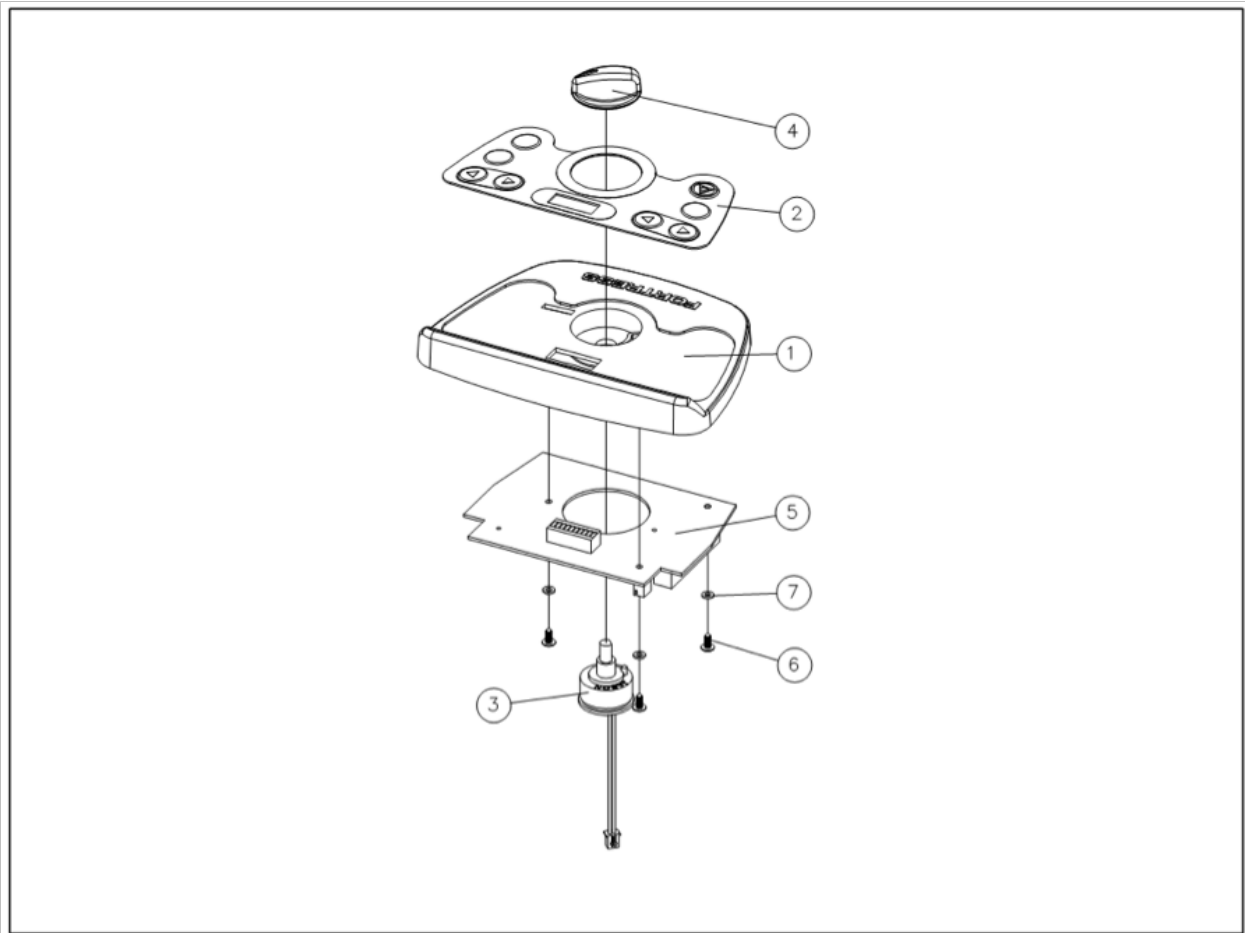


TOP CONSOLE ASSEMBLY - REV. 2

Item	Description	Part No.	QTY
1	CONSOLE SPEED PLASTIC	N/A	1
2	KEY PAD MEMBRANE Rev.2	N/A	1
3	SWITCH SPEED SELECTOR	HC-14731092	1
4	KNOB SPEED SELECTOR	HC-14200004	1
5	PCB BOARD Rev.2	HC-14731006	1
6	SCREW M3 X 8MM LG	HC-SN03008	3
7	WASHER PVC	HC-WP300610	3
8	WIRE SPEED SELECTOR Rev.2	HC-14731132	1

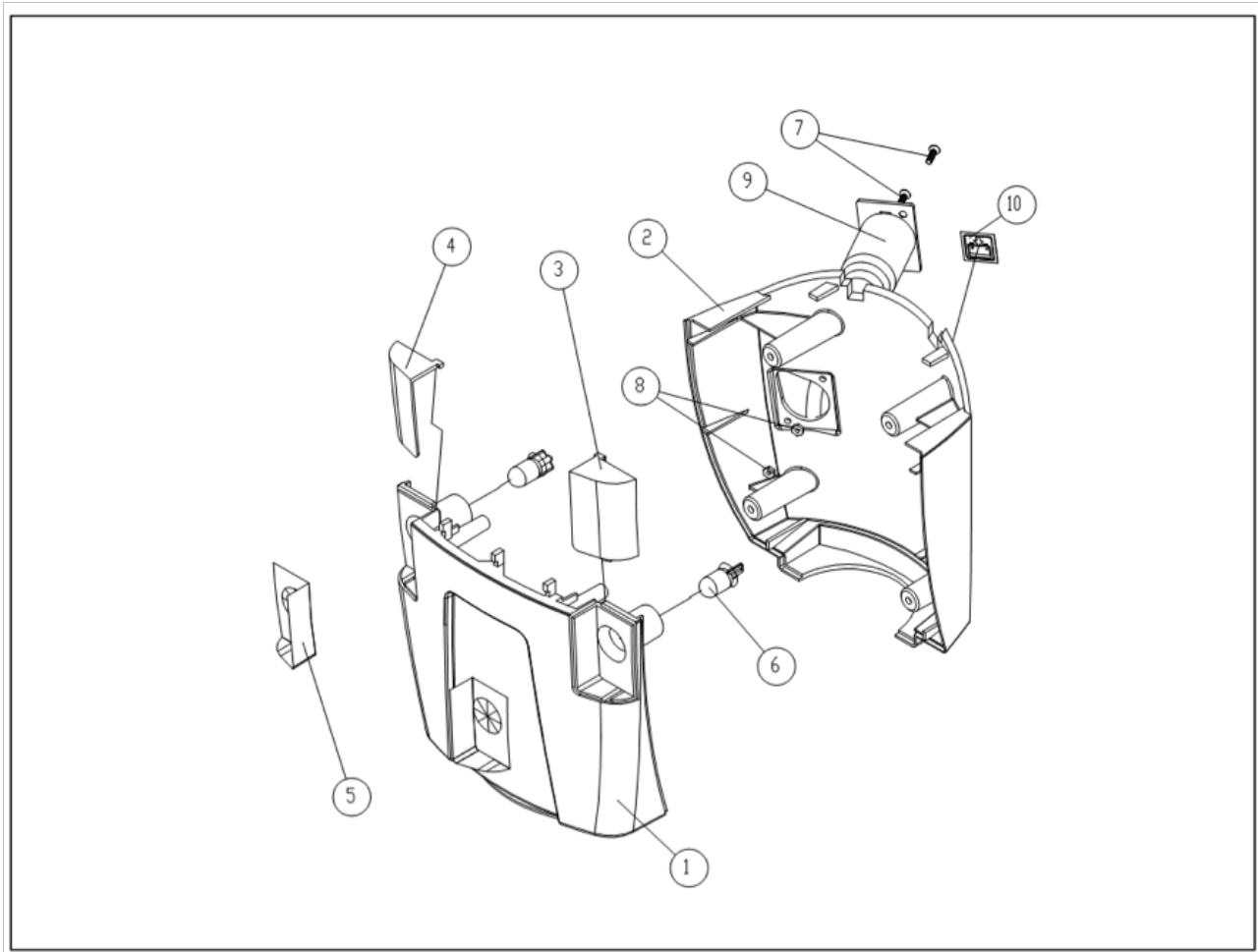
1 - 2	SPEED PLASTIC w/PAD Rev.2	HC-04757020	1
1 - 7	CONSOLE ASSEMBLY - TOP Rev.2	HC-018501	1

NOTE: For use on older models 1700DT (KMD00001-MMD00052) & 1700TA (KMT00001-MMT00030)



TOP CONSOLE ASSEMBLY - REV. 1 (DISCONTINUED)

Item	Description	Part No.	QTY
1	CONSOLE SPEED PLASTIC	N/A	1
2	KEY PAD MEMBRANE Rev.1	N/A	1
3	SWITCH SPEED SELECTOR Rev.1	N/A	1
4	KNOB SPEED SELECTOR	HC-14200004	1
5	PCB BOARD Rev.1	N/A	1
6	SCREW M3 X 8MM LG	HC-SN03008	3
7	WASHER PVC	HC-WP300610	3
1 - 7	CONSOLE ASSEMBLY - TOP Rev.1	N/A	1

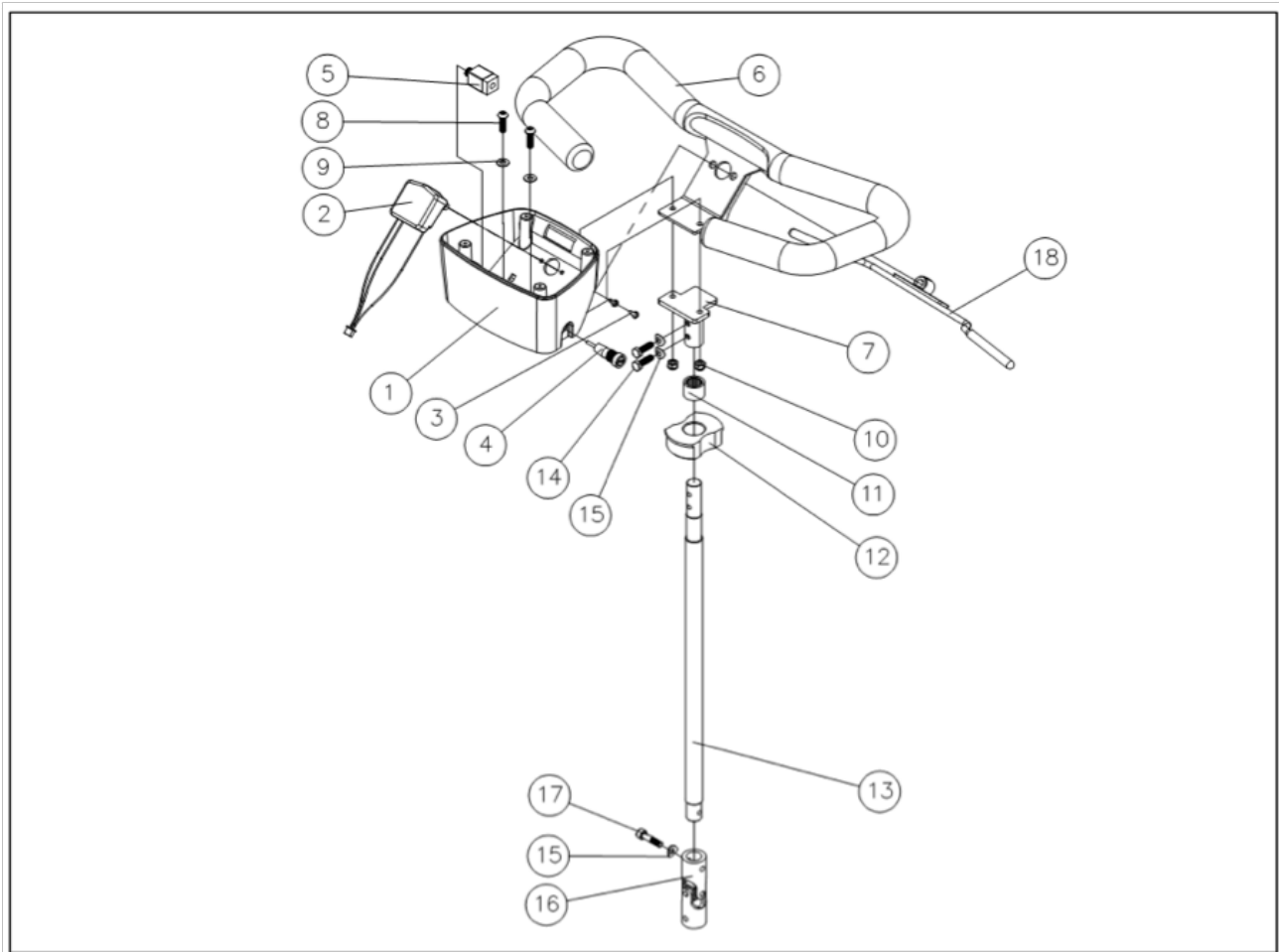


BOTTOM CONSOLE ASSEMBLY REV. 2

Item	Description	Part No.	QTY
1A	SHROUD FRNT CONSOLE RED	HC-14703001R	1
1B	SHROUD FRNT CONSOLE BLUE	HC-14703001B	1
1C	SHROUD FRNT CONSOLE BLK	HC-14703001K	1
2A	SHROUD REAR CONSOLE RED	HC-14703002R	1
2B	SHROUD REAR CONSOLE BLUE	HC-14703002B	1
2C	SHROUD REAR CONSOLE BLACK	HC-14703002K	1
8	NUT M2.6 X P0.45	HC-NH26P045	2
9	CHARGER PORT W/CABLE Rev.2	HC-14735002	1
10	LABEL CHARGER PORT	HC-14203003	1
N/S	CHARGER PORT COVER Rev.2	HC-14735003	1

Item	Description	Part No.	QTY
1A - 10	CONSOLE ASSY BOTTOM RED	HC-018502R	1
1B - 10	CONSOLE ASSY BOTTOM BLUE	HC-018502B	1
1C - 10	CONSOLE ASSY BOTTOM BLK	HC-018502K	1

NOTE: N/S = NOT SHOWN

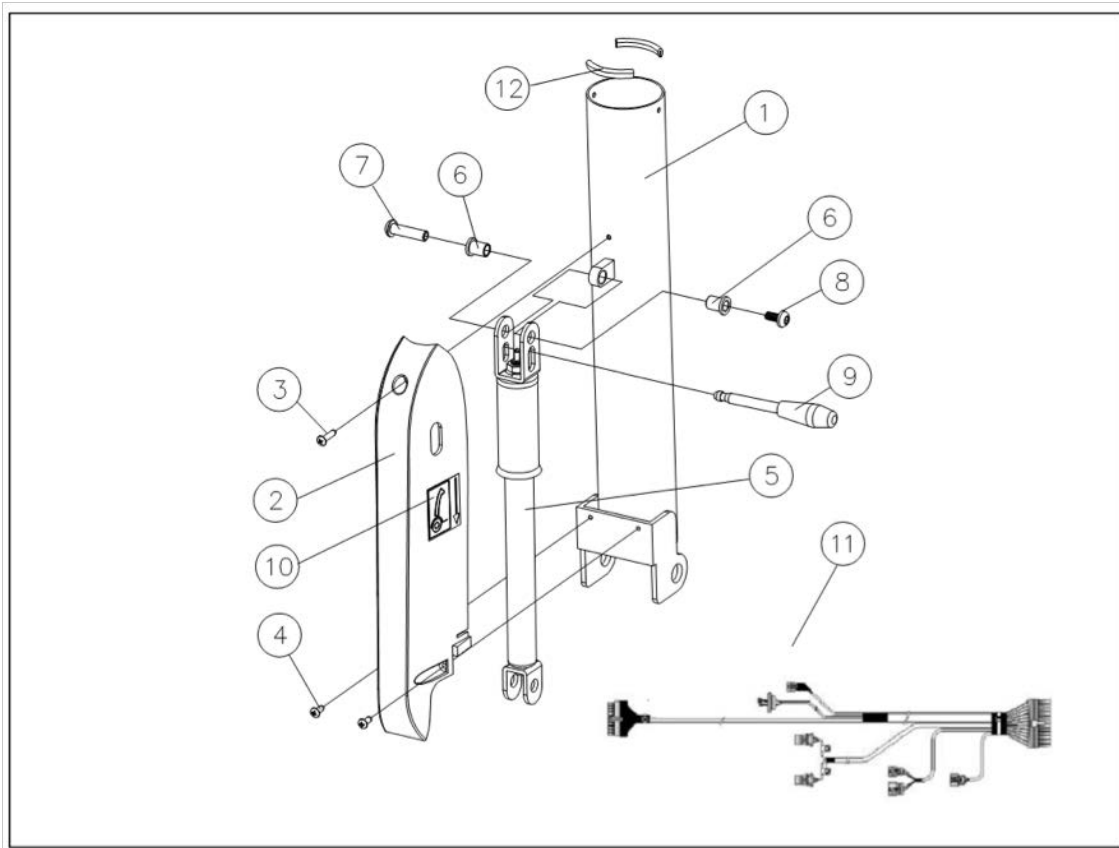


TILLER ASSEMBLY

Item	Description	Part No.	QTY
1A	SHROUD TOP TILLER RED	HC-14700002R	1
1B	SHROUD TOP TILLER BLUE	HC-14700002B	1
1C	SHROUD TOP TILLER BLACK	HC-14700002K	1
2	POTENTIOMETER THR. Rev.2	HC-14731131	1
3	SCREW M4 X 16MM LG	HC-SB04016	2
4	PCB FUSE ASSY Rev.2	HC-14731111	1
N/S	FUSE 2.0A GLASS TYPE	HC-14531105	1
5	JACK PLUG RECEPT. Rev.2	HC-14731005	1
6	HANDLEBAR W/PU WRAP	HC-14711200	1
7	BRACKET HANDLEBAR WLDM.	HC-14711400	1
8	SCREW M6 X 20MM LG	HC-SR06020	1
9	FLATWASHER METAL	HC-WE641310	1
10	LOCKNUT M6 X 20MM LG	HC-NN06P100	1
11	BEARING NEEDLE	N/A	1
12	BUSHING PLASTIC	HC-14711004	1
13	STEERING ROD	HC-14711005	1
14	BOLT M6 X 20MM LG	HC-BH06020S	2
15	FLATWASHER	HC-WR651311	2
16	UNIVERSAL JOINT	HC-04711300	1
17	SCREW M6 X 25MM LG	HC-SH06025S	1
18	FINGER CONTROL ASSY	HC-04711200	1

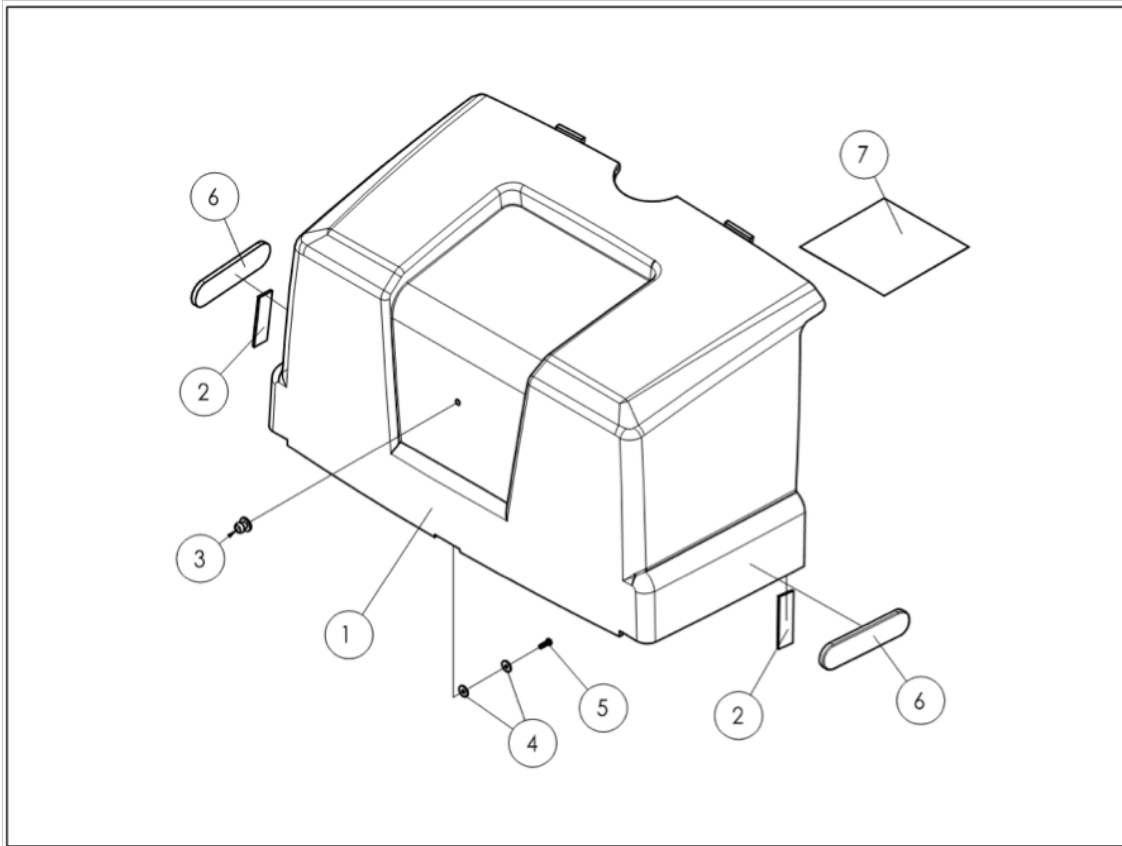
Item	Description	Part No.	QTY
1A - 18	TILLER ASSY Rev.2 RED	HC-018503R	1
1B - 18	TILLER ASSY Rev. 2 BLUE	HC-018503B	1
1C - 18	TILLER ASSY Rev. 2 BLACK	HC-018503K	1
N/S	CONTACT JACKPLUG KEY	HC-14553002	1

NOTE: N/S = NOT SHOWN



TILLER STRUT ASSEMBLY

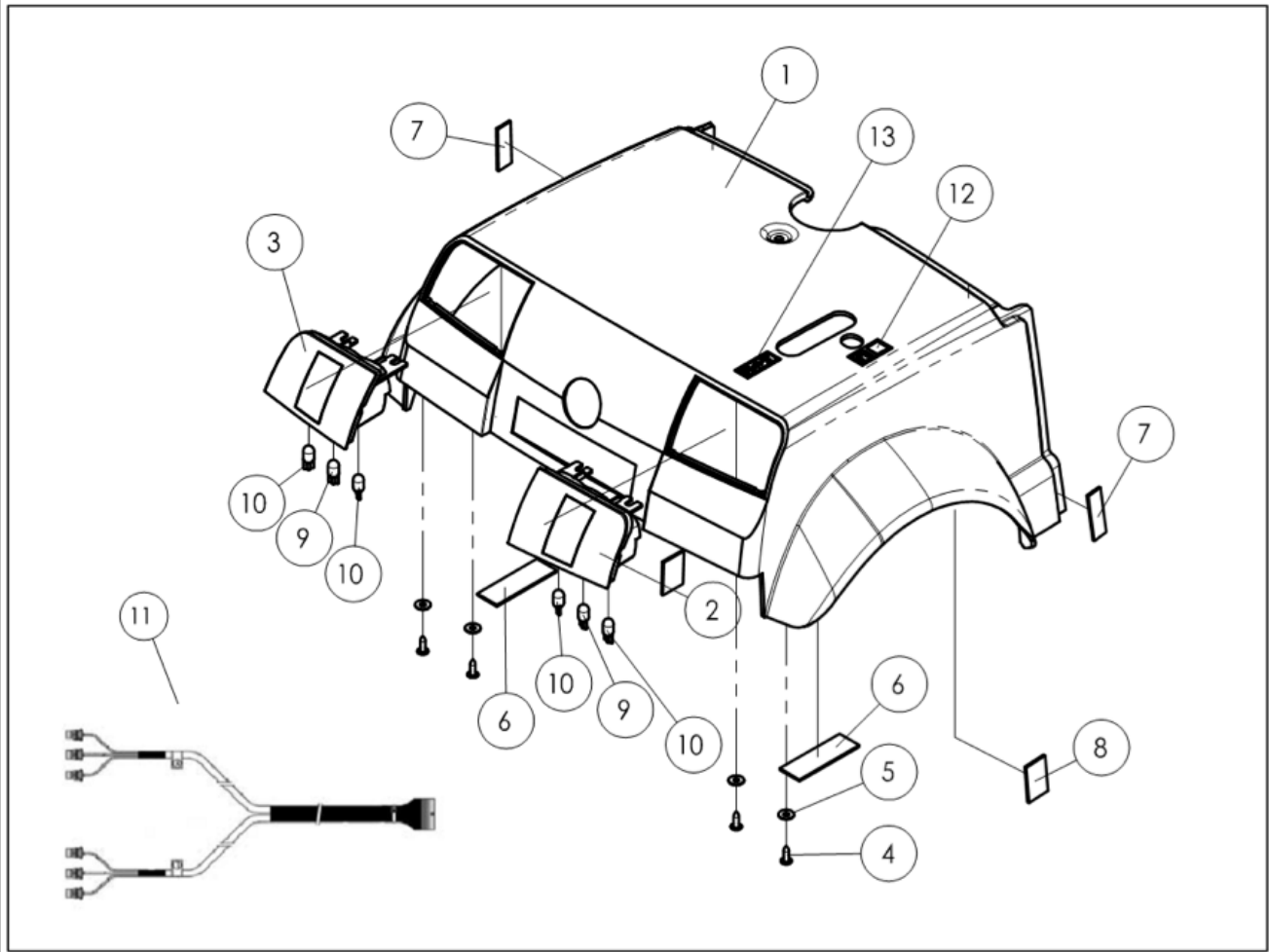
Item	Description	Part No.	QTY
1	TILLER COLUMN WELDMENT	HC-14711300	1
2A	SHROUD TILLER STRUT RED	HC-14703005R	1
2B	SHROUD TILLER STRUT BLUE	HC-14703005B	1
2C	SHROUD TILLER STRUT BLACK	HC-14703005K	1
3	SCREW M4 X 20MM LG	HC-SB04020	1
4	SCREW M4 X 12MM LG	HC-SB04012	1
5	STRUT TILLER 30Kg	HC-14710001	1
6	BUSHING PLASTIC	HC-14711001	1
7	BUSHING THREADED - M6	HC-BA06030	1
8	SCREW M6 X 13MM LG	HC-SR06013	1
9	ADJUSTABLE TILLER HANDLE	HC-14253101	1
10	LABEL "PULL TILLER"	HC-14203006	1
11	MAIN CABLE HARNESS Rev.2	HC-14731004	1
12	EDGE PROTECTOR	N/A	2



BATTERY COVER ASSEMBLY

Item	Description	Part No.	QTY
1	COVER BATTERY PLASTIC	N/A (SEE BELOW)	1
2	VELCRO HOOK 50mm LG	HC-14253004	2
3	HOLDER STRAP	HC-14502202	1
4	WASHER METAL	HC-WE331010	1
5	SCREW M3 X 10MM LG	HC-SD03010	1
6	REFLECTOR YELLOW	HC-14502203	2
7	LABEL CIRCUIT DIAGRAM (INSIDE)	HC-14702202	1

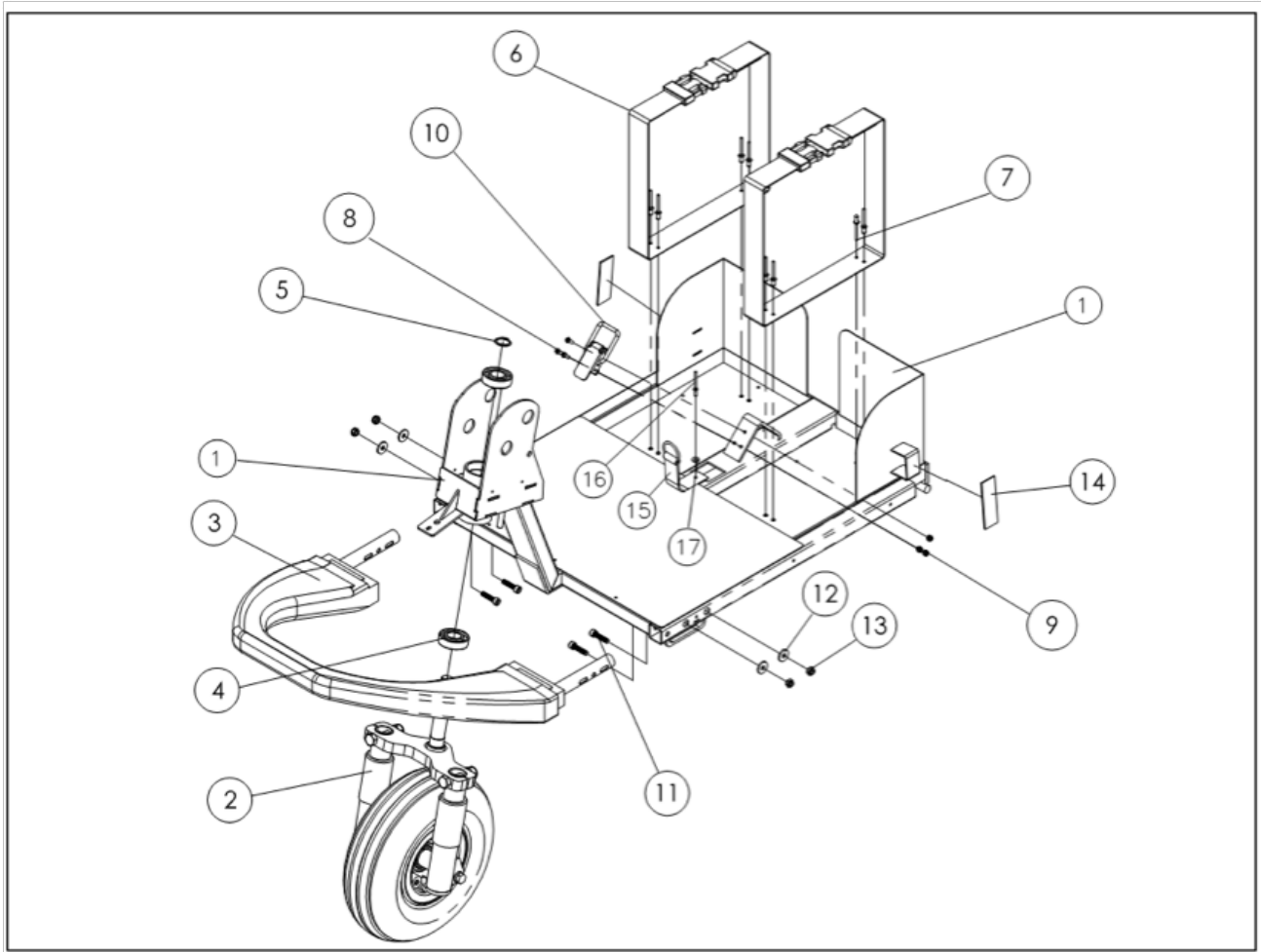
1 - 7	COVER BATTERY ASSY RED	HC-04713B00R	1
1 - 7	COVER BATTERY ASSY BLUE	HC-04713B00B	1
1 - 7	COVER BATTERY ASSY BLACK	HC-04713B00K	1



MOTOR COVER ASSEMBLY

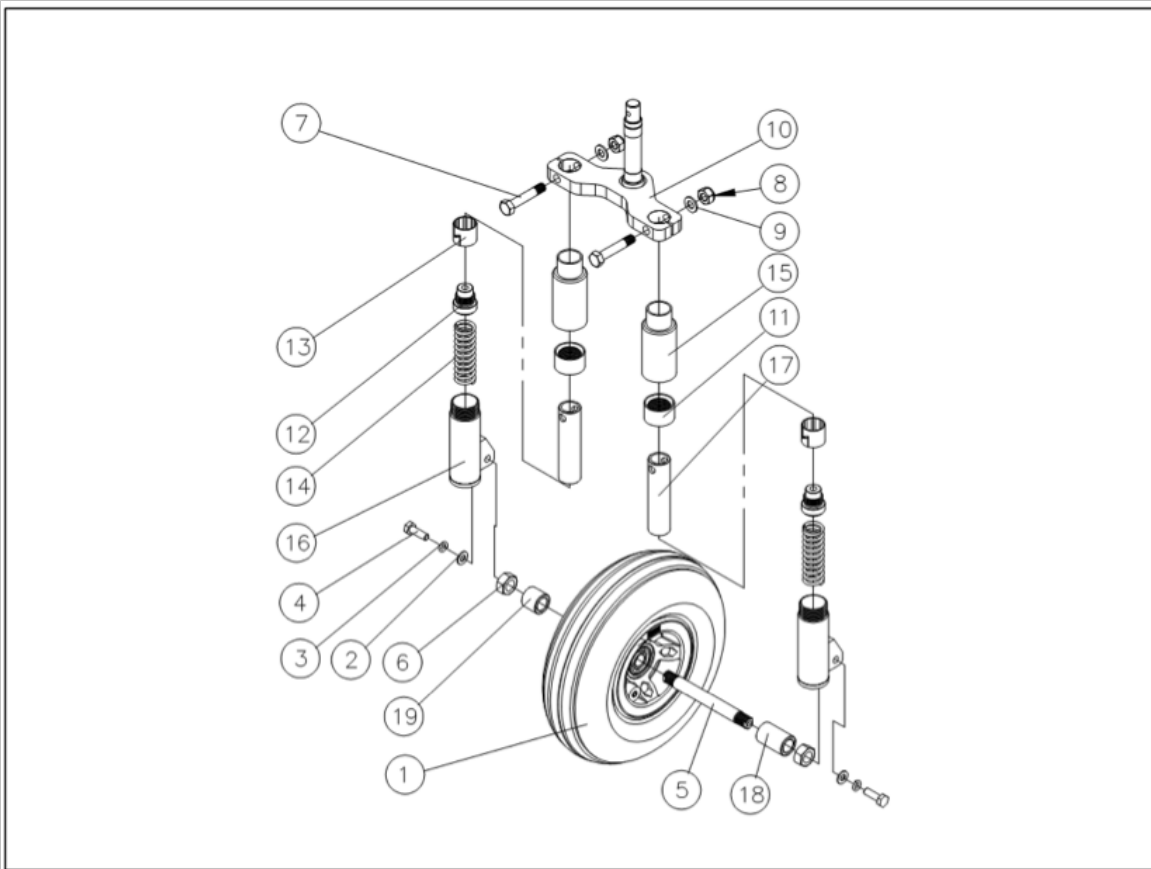
Item	Description	Part No.	QTY
1	COVER MOTOR PLASTIC	N/A (SEE BELOW)	1
4	SCREW M5 X 16MM LG	HC-SN05016	4
5	WASHER METAL	HC-WE521410	4
6	VELCRO HOOK 76MM LG	HC-14253002	2
7	VELCRO HOOK 50MM LG	HC-14253005	2
8	VELCRO HOOK 38MM LG	HC-14253006	2
12	LABEL CIRCUIT BREAKER	HC-14202008A	1
13	LABEL ENGAGE/RELEASE	HC-14202009	1
1 - 13A	COVER MOTOR ASSY Rev.2 RED	HC-018505R	1
1 - 13B	COVER MOTOR ASSY Rev.2 BLUE	HC-018505B	1
1 - 13C	COVER MOTOR ASSY Rev.2 BLK	HC-018505K	1

Item	Description	Part No.	QTY
2	LIGHT REAR ASSY RIGHT	HC-14702102	1
3	LIGHT REAR ASSY LEFT	HC-14702103	1
9	LIGHT BULB AMBER 24V5W	HC-14733003	2
10	LIGHT BULB CLEAR 24V5W	HC-14533052	4
11	HARNESS REAR LIGHT Rev.2	HC-14732012	1



FRONT FRAME 3W ASSEMBLY

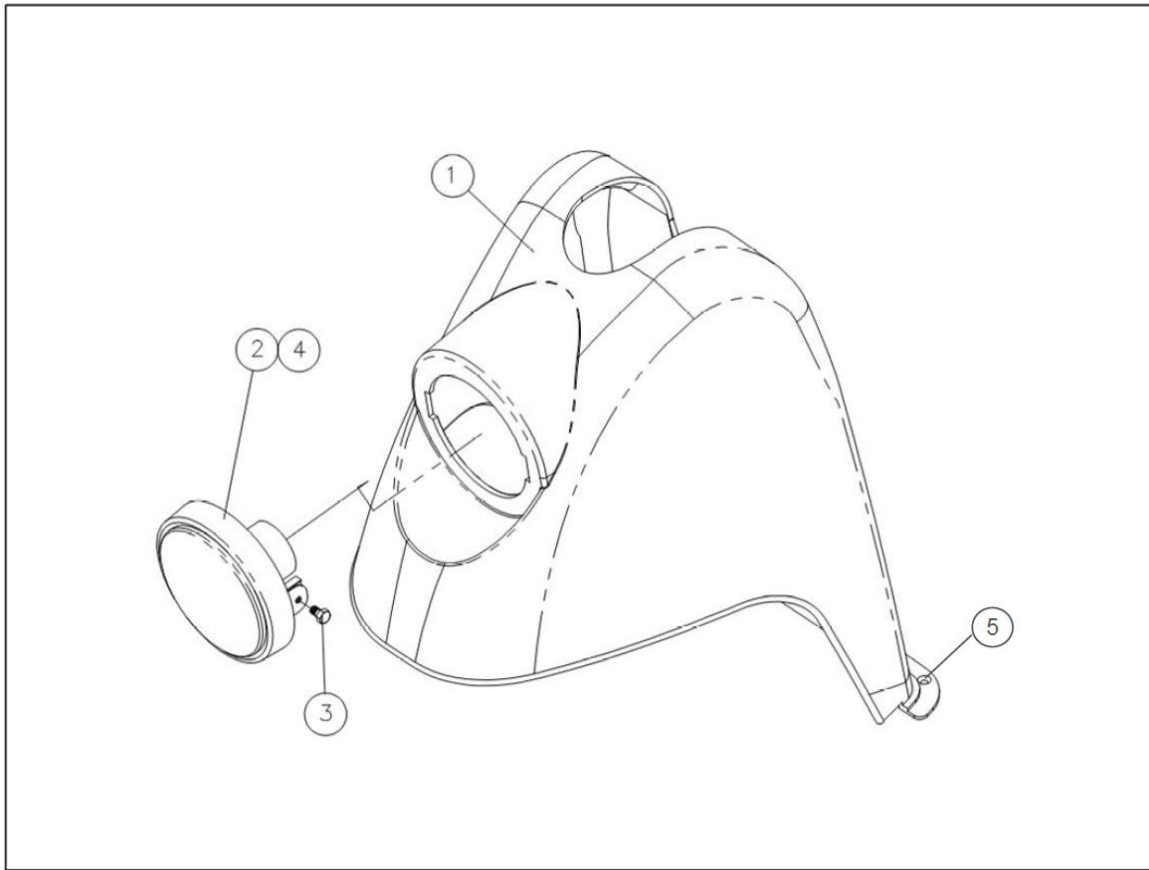
Item	Description	Part No.	QTY
1	FRAME WELDMENT FRONT 3W	HC-14713200	1
2	FORK FRONT ASSY	HC-04713610	1
3	BUMPER FRONT W/PU WRAP	HC-14713400	1
4	BEARING 20mm x 42mm x 12mm	HC-14240262	2
5	RETAINING RING	HC-CCS02010	1
6	STRAP BATTERY W/BUCKLE	HC-14701004	1
7	RIVET – POP	N/A	8
8	SCREW M4 X 12MM LG	HC-SD04012	3
9	LOCKNUT M4 X 12MM LG	HC-NN04P070	3
10	LATCH ASSEMBLY	HC-14510008	1
11	SCREW M6 X 30MM LG	HC-BM06030	4
12	WASHER FLAT METAL	HC-WE641820	4
13	LOCKNUT - M6 X P1.00	HC-NN06P100	4
14	VELCRO LOOP 76MM LG	N/A	2
15	STRIP ELASTIC	N/A	1
16	RIVET – POP	N/A	1
17	WASH FLAT METAL	HC-WE331010	1
1 - 17	FRAME FRONT 3W ASSY Rev.2	HC-018506	1



FRONT FORK 3W ASSEMBLY

Item	Description	Part No.	QTY
1	FRONT WHEEL ASSY	HC-04750200	1
2	FLAT WASHER METAL	N/A	2
3	SPRING WASHER	N/A	2
4	SCREW M8 X 25MM LG	N/A	2
5	AXLE FRONT WHEEL	N/A	1
6	NUT M14 X P1.50	N/A	2
7	BOLT - M10 X 55MM LG	N/A	2
8	LOCKNUT - M10 X P1.50	N/A	2
9	FLAT METAL WASHER	N/A	2
18	BUSHING 41MM LG	N/A	1
19	BUSHING 23MM LG	N/A	1

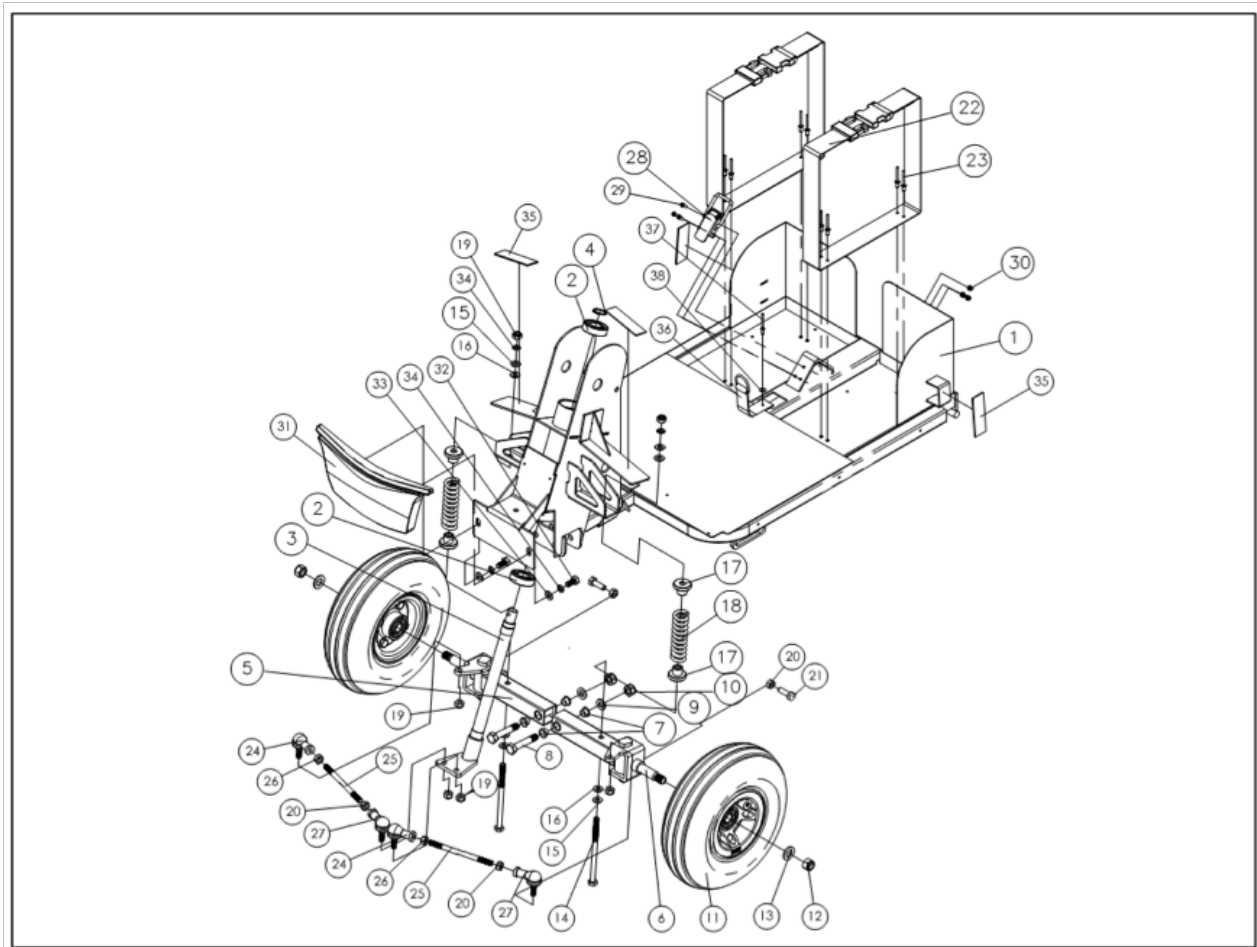
1 - 19	FRONT FORK 3W ASSEMBLY	HC-04713610	1
2 - 19	FRONT FORK 3W ONLY	HC-018454	1



FRONT COVER 3W ASSEMBLY

Item	Description	Part No.	QTY
1	COVER FRONT 3W PLASTIC RED	HC-14701301R	1
1	COVER FRONT 3W PLASTIC BLUE	HC-14701301B	1
1	COVER FRONT 3W PLASTIC BLK	HC-14701301K	1
2	HEADLIGHT ASSY	HC-14733001	1
3	SCREW – M5 X 8MM LG	HC-SH05008	1
4	LIGHT BULB CLEAR 12V5W	HC-14733002	1

1 - 4	COVER FRONT 3W ASSY RED	HC-04713900R	1
1 - 4	COVER FRONT 3W ASSY BLUE	HC-04713900B	1
1 - 4	COVER FRONT 3W ASSY BLACK	HC-04713900K	1
5	SCREW PHILLIPS 4mm x 10mm	HC-NSF04010	4

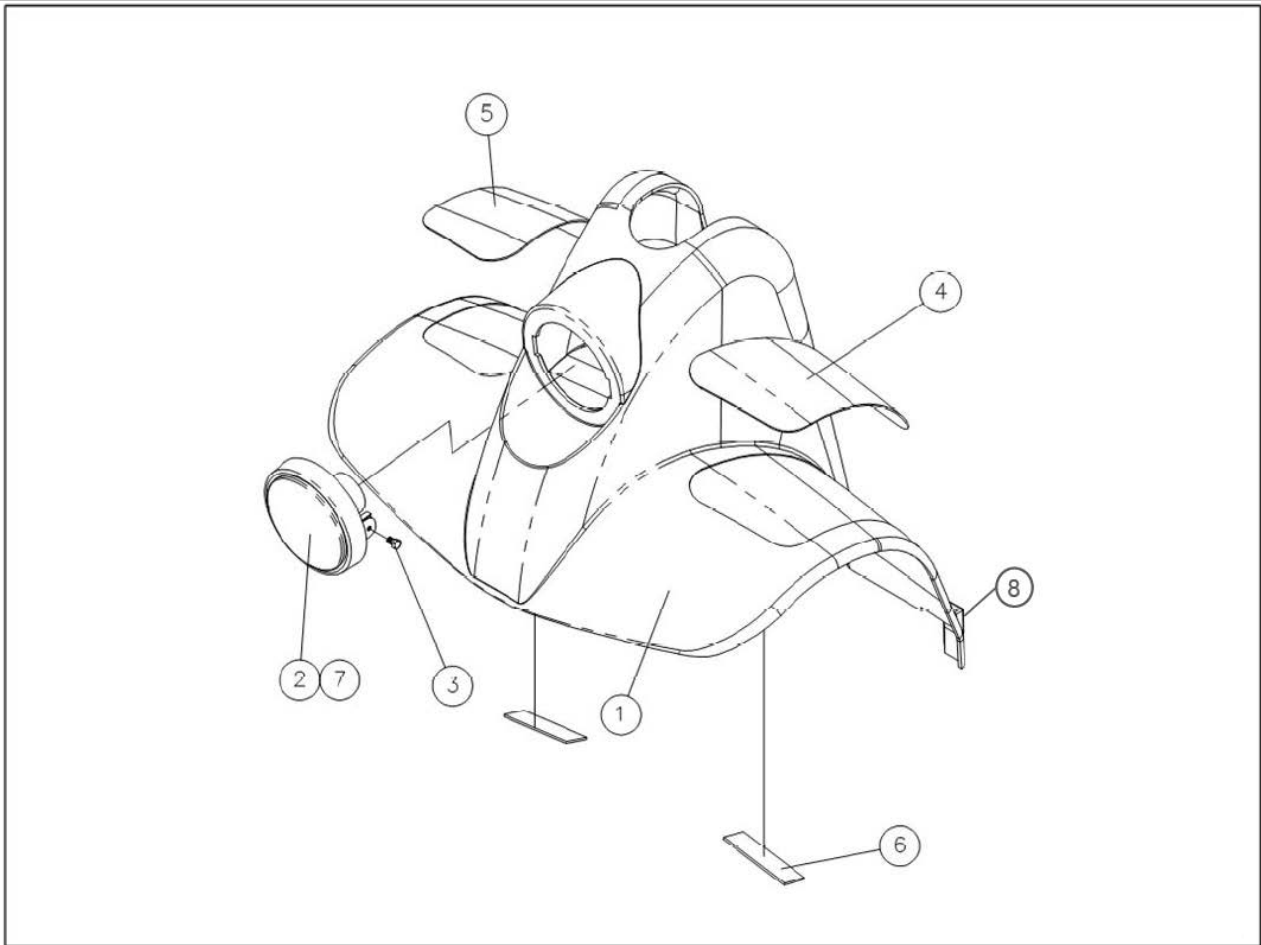


FRONT FRAME 4W ASSEMBLY

Item	Description	Part No.	QTY
1	FRAME WLDM. FRONT 4W	HC-14714200	1
2	BEARING 20mm x42mmx12mm	HC-14240262	2
3	STEERING ARM WELDM.	HC-14714100	1
4	RETAINING RING	HC-CCS02010	1
5	SWINGARM RH ASSY.	HC-04714450	1
6	SWINGARM LH ASSY.	HC-04714460	1
7	BUSHING PLASTIC 8MM LG	HC-14220134	4
8	SCREW – M10 X 55MM LG	HC-BH10055	2
9	WASHER FLAT METAL	HC-WE101920	2
10	LOCKNUT – M10 X P1.50	HC-NN10P150	2
11	WHEEL FRONT 10" ASSY	HC-04750200	2
12	LOCKNUT – M12 X P1.75	HC-NN12P175	2
13	WASHER FLAT METAL	HC-WE122425	2
14	BOLT – M8 X 125MM LG	HC-BH08125	2
15	WASHER FLAT METAL	HC-WE821615	4
16	WASHER FLAT PLASTIC	HC-WP821620	4
17	BUSHING PLASTIC 20MM LG	HC-14214006	4
18	COMPRESSION SPRING FRONT	HC-14214005	2
19	LOCKNUT - M8 X P1.25	HC-NN08P125	6
20	NUT – M8 X P1.25	HC-NH08P125	4

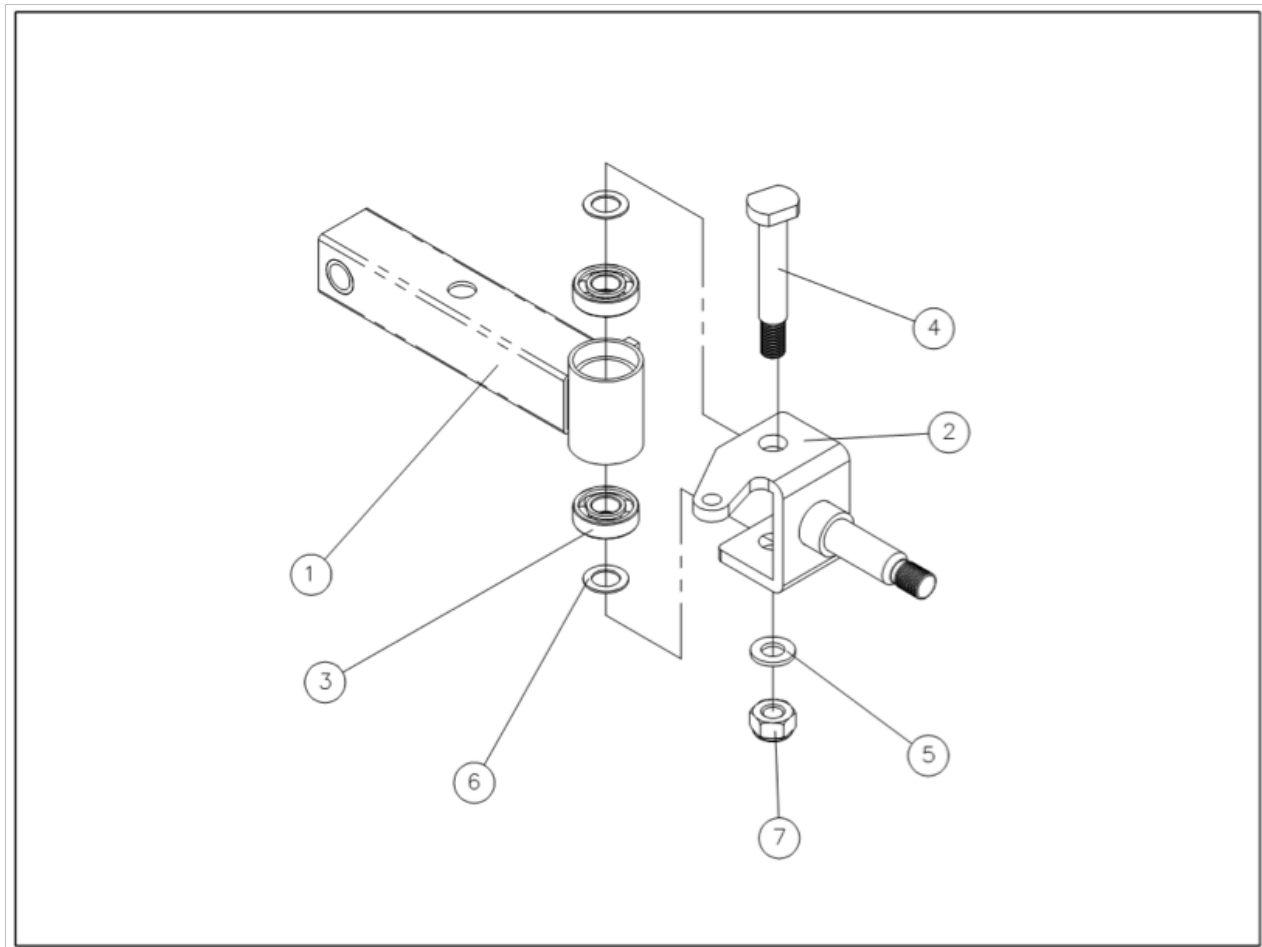
Item	Description	Part No.	QTY
21	SCREW – M8 X 25MM LG	HC-SH08025	2
22	STRAP BATTERY W/BUCKLE	HC-14701004	2
23	RIVER – POP	N/A	8
24	TIE ROD ENDS/STUDS LH	HC-14514306	2
25	STEERING ROD	HC-14314002	2
26	NUT – M8 X P1.25	HC-NH08125L	2
27	TIE ROD ENDS/STUDS RH	HC-14514305	2
28	LATCH ASSEMBLY	HC-14510008	1
29	SCREW – M4 X 12MM LG	HC-SD04 012	3
30	LOCKNUT – M4 X P0.70	HC-NN04P070	3
31	BUMPER FRONT 4W	HC-14714700	1
32	SCREW - M8 X 16MM LG	HC-SH08016	2
33	WASHER FLAT METAL	HC-WE821610	2
34	WASHER SPRING METAL	HC-WS821320	2
35	VELCRO LOOP 76MM LG	HC-14253003	4
36	STRIP ELASTIC	HC-14501005	1
37	RIVET – POP	N/A	1
38	WASHER FLAT METAL	HC-WE331010	1

1 - 38	FRONT FRAME 4W ASSY Rev.2	HC-018507	1
--------	---------------------------	-----------	---



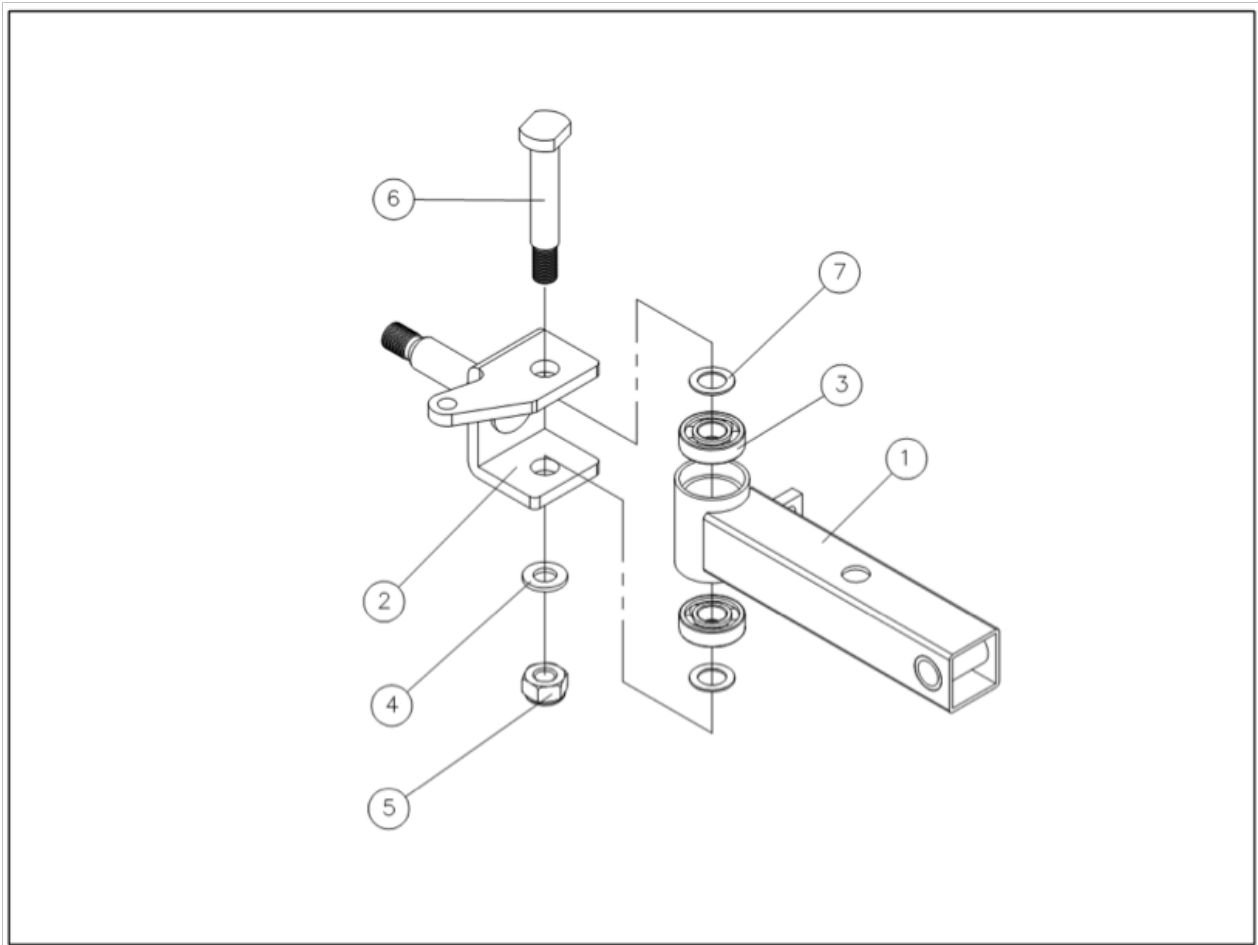
FRONT COVER 4W ASSEMBLY

Item	Description	Part No.	QTY
1A	COVER FRONT 4W PLASTIC RED	HC-14701401R	1
1B	COVER FRONT 4W PLASTIC BLUE	HC-14701401B	1
1C	COVER FRONT 4W PLASTIC BLACK	HC-14701401K	1
2	HEADLIGHT ASSY	HC-14733001	1
3	SCREW – M5 X 8MM LG	HC-SH05008	1
4	MAT FOOT LH	HC-14701403	1
5	MAT FOOT RH	HC-14701404	1
6	VELCRO HOOK 76MM LG	N/A	2
7	LIGHT BULB CLEAR 12V15W	HC-14733002	1
1A - 7	COVER FRONT 4W ASSY RED	HC-04714900R	1
1B - 7	COVER FRONT 4W ASSY BLUE	HC-04714900B	1
1C - 7	COVER FRONT 4W ASSY BLACK	HC-04714900K	1
8	SCREW PHILLIPS 4mm x 10mm	HC-NSF04010	4



SWINGARM LH ASSEMBLY

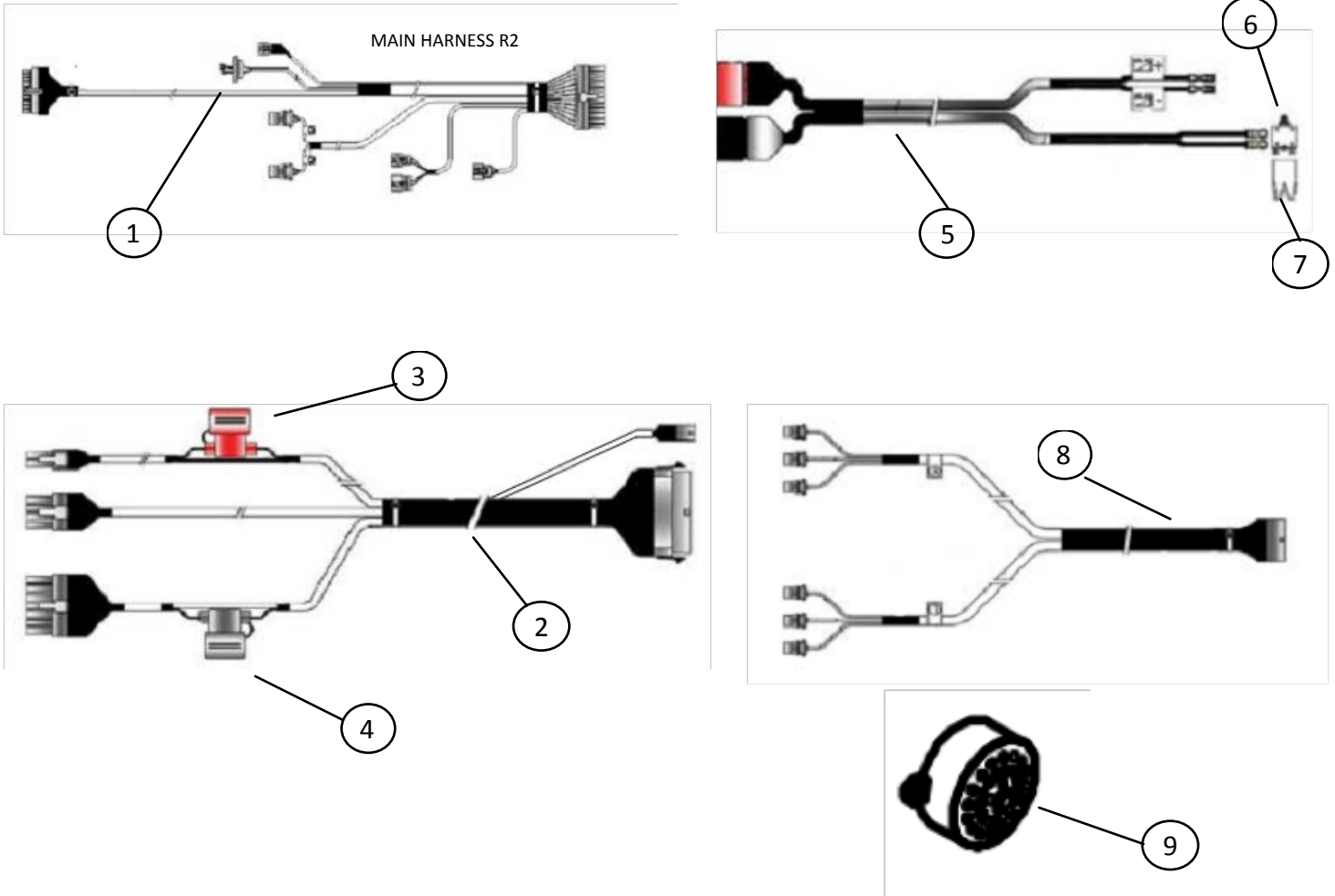
Item	Description	Part No.	QTY
1	SWINGARM WELDMENT LH	HC-14714300	1
2	TIE ROD AXLE WELDMENT LH	HC-14714500	1
3	BEARING SWINGARM FRONT	HC-14514307	2
4	FLAT WASHER METAL	HC-WE101920	2
5	LOCKNUT – M10 X P1.50	HC-NN10P150	1
6	PIVOT BOLT	HC-14214009	2
7	FLAT WASHER METAL	HC-WE121910	2
1 - 7	SWINGARM LH ASSEMBLY	HC-04714460	1



SWINGARM RH ASSEMBLY

Item	Description	Part No.	QTY
1	SWINGARM WELDMENT RH	HC-14714400	1
2	TIE ROD AXLE WELDMENT RH	HC-14714600	1
3	BEARING SWINGARM FRONT	HC-14514307	2
4	FLAT WASHER METAL	HC-WE101920	2
5	LOCKNUT - M10 X P1.50	HC-NN10P150	1
6	PIVOT BOLT	HC-14214009	2
7	FLAT WASHER METAL	HC-WE121910	2
1 - 7	SWINGARM RH ASSEMBLY	HC-04714450	1

NOTE: For use on newer models: 1700DT (MMD0053 forwards) & 1700TA (MMT00031 forwards)

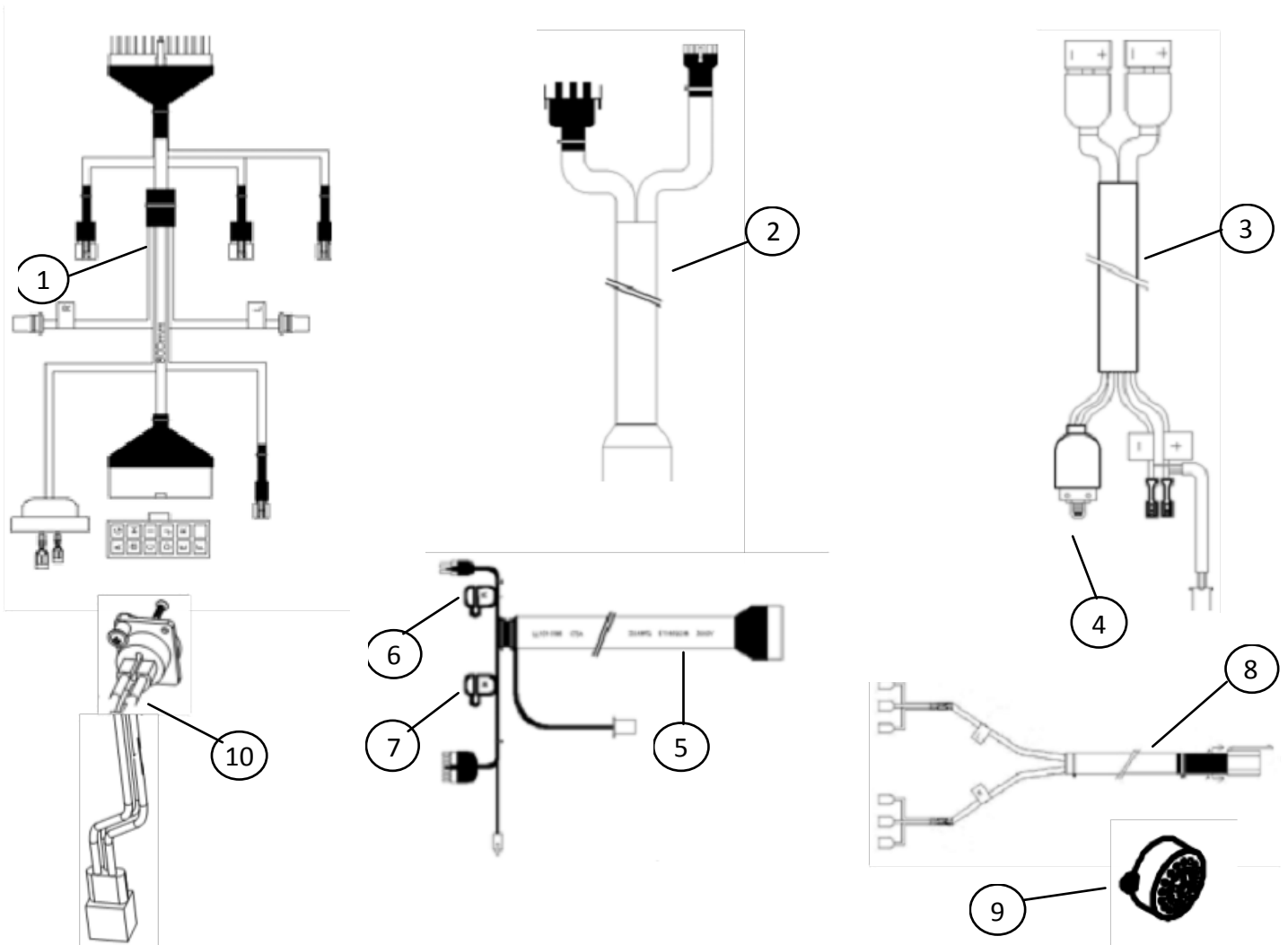


HARNESSES 1700DT/TA - REV. 2

Item	Description	Part No.	QTY
1	CABLE TILLER HARNESS Rev.2	HC-14731004	1
2	CABLE REAR HARNESS Rev.2	HC-14732008	1
3	FUSE 10A - CHARGING	HC-14532019	1
4	FUSE 5A - CONTROLLER	HC-14530001	1
5	CABLE BATTERY HARNESS Rev.2	HC-14732009	1
6	CIRCUIT BREAKER 50A	HC-018456	1
7	BOOT CIRCUIT BREAKER	HC-018460	1
8	HARNESS REAR LIGHT ASSY Rev.2	HC-14732012	1
9	HORN FRONT Rev.2	HC-14731113	1
N/S	CHARGER PORT W/CABLE Rev.2	HC-14735002	1
N/S	BATTERY CABLE BLACK	HC-14732001	1
N/S	BATTERY CABLE RED	HC-14732007	1

N/S = NOT SHOWN

NOTE: For use on older models 1700DT (KMD00001-MMD00052) & 1700TA (KMT00001-MMT00030)

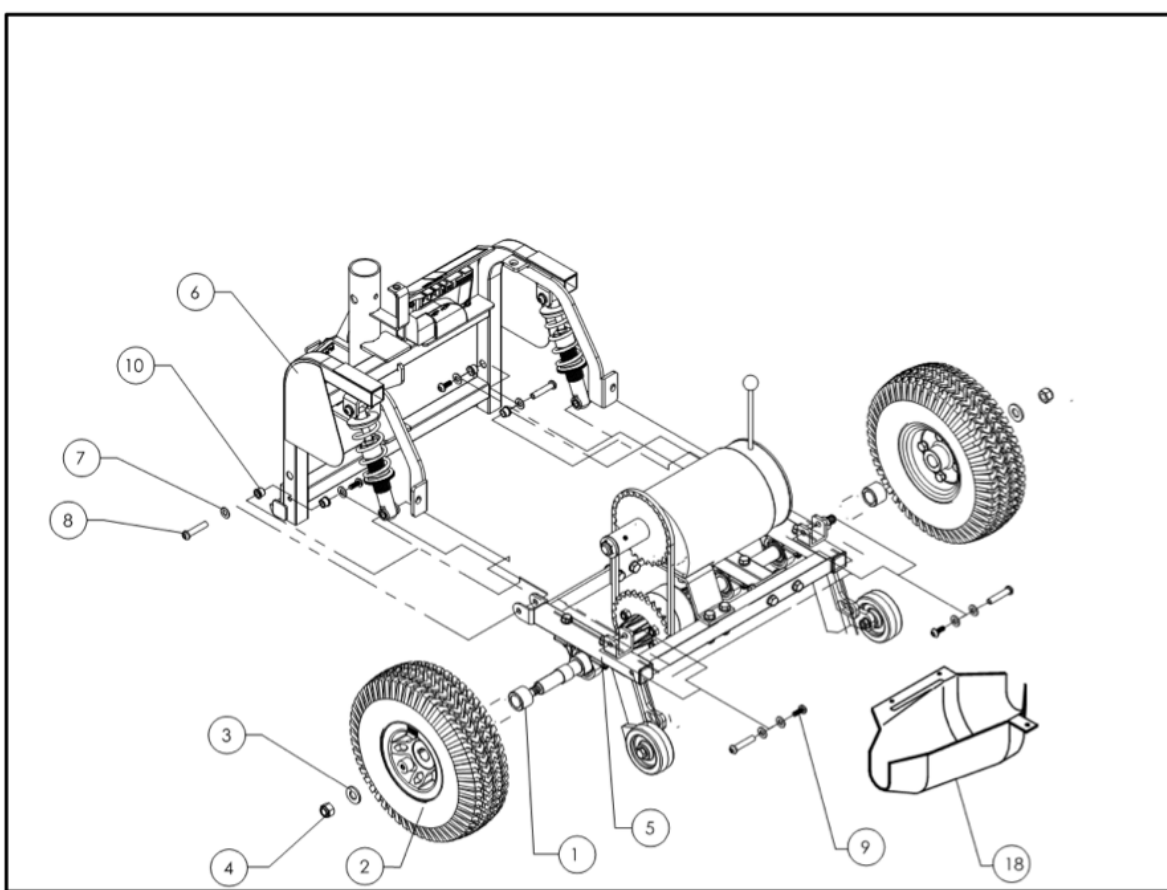


1700 DT/TA HARNESSES - REV. 1 (DISCONTINUED)

Item	Description	Part No.	QTY
1	CABLE TILLER HARNESS Rev.1	HC-14731003	1
2	CABLE MAIN HARNESS Rev.1	N/A	1
3	CABLE BATTERY HARNESS Rev.1	N/A	1
4	CIRCUIT BREAKER 50A	HC-018456	1
5	CABLE REAR HARNESS Rev.1	N/A	1
6	FUSE 10A - CHARGING	HC-14532019	1
7	FUSE 5A - CONTROLLER	HC-14530001	1
8	HARNESS REAR LIGHT Rev.1	N/A	1
9	HORN FRONT Rev.1	N/A	1
10	CHARGER PORT W/CABLE Rev.1	N/A	1
N/S	TILLER PCB FUSE ASSY Rev.1	N/A	1

N/S	BATTERY CABLE BLACK	HC-14732001	1
N/S	BATTERY CABLE RED	HC-14732007	1

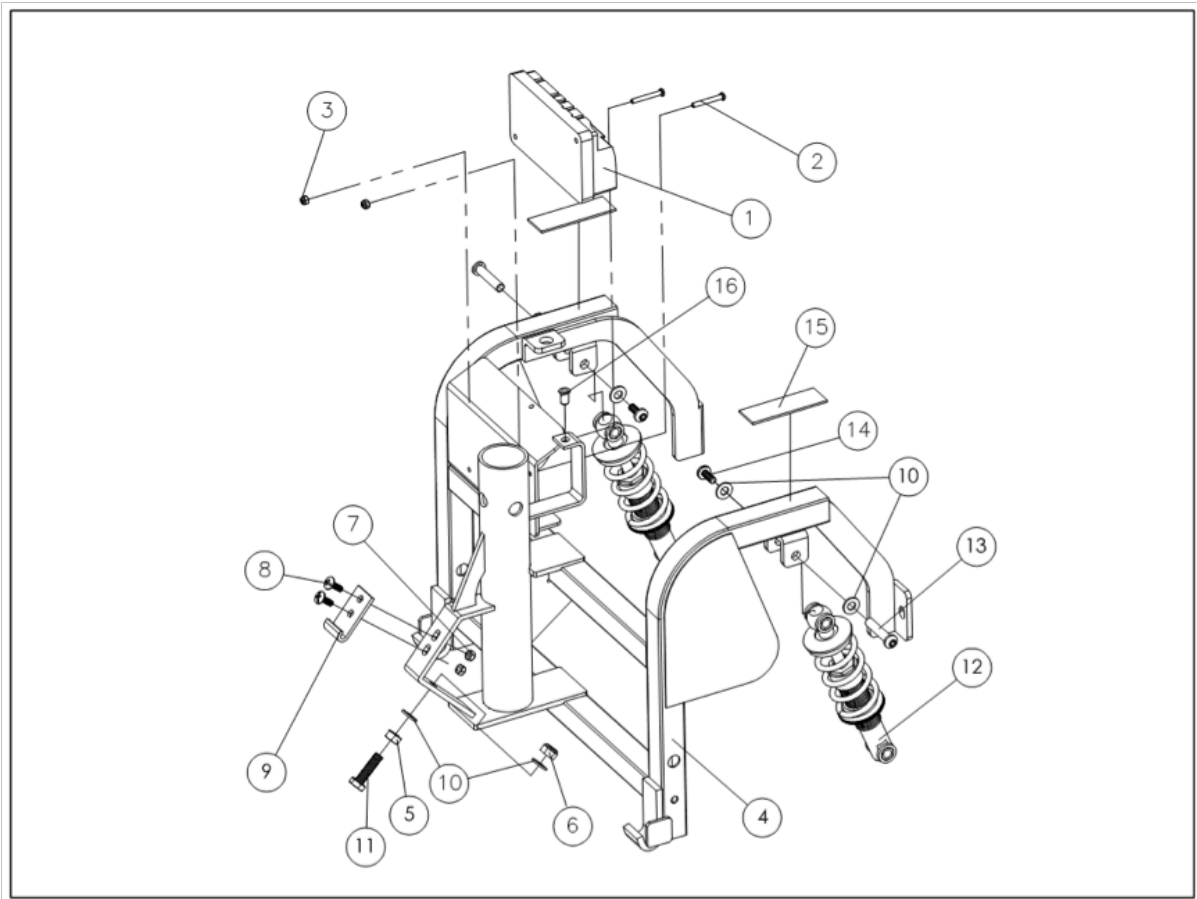
NOTE: N/A = NOT AVAILABLE
N/S = NOT SHOWN



REAR FRAME ASSEMBLY - 1700DT

Item	Description	Part No.	QTY
1	COLLAR REAR METRIC 1700TA/DT	HC-14820016	2
2	WHEEL REAR ASSY	HC-04750100	2
3	WASHER FLAT METAL	HC-WE132625	2
4	LOCKNUT - M12 X P1.75	HC-NN12P175	2
5	FRAME REAR BOTTOM DT ASSY	HC-018447	1
6	FRAME REAR TOP	HC-04713701	1
7	WASHER FLAT	HC-WE821615	8
8	SCREW M6 X 38MM LG	HC-BA06038	4
9	SCREW M6 X 13MM LG	HC-SR06013	4
10	BUSHING BRONZE 9.5MM LG	HC-14520017	2
18	DIFFERENTIAL SHROUD	HC-14702203	1
N/S	KEYSTOCK METRIC	HC-KES55035	2
N/S	RETAINING RING METRIC	HC-CCS02010	2
1 - 18	REAR FRAME ASSY DT Rev.2	HC-018508	1

NOTE: N/S = NOT SHOWN



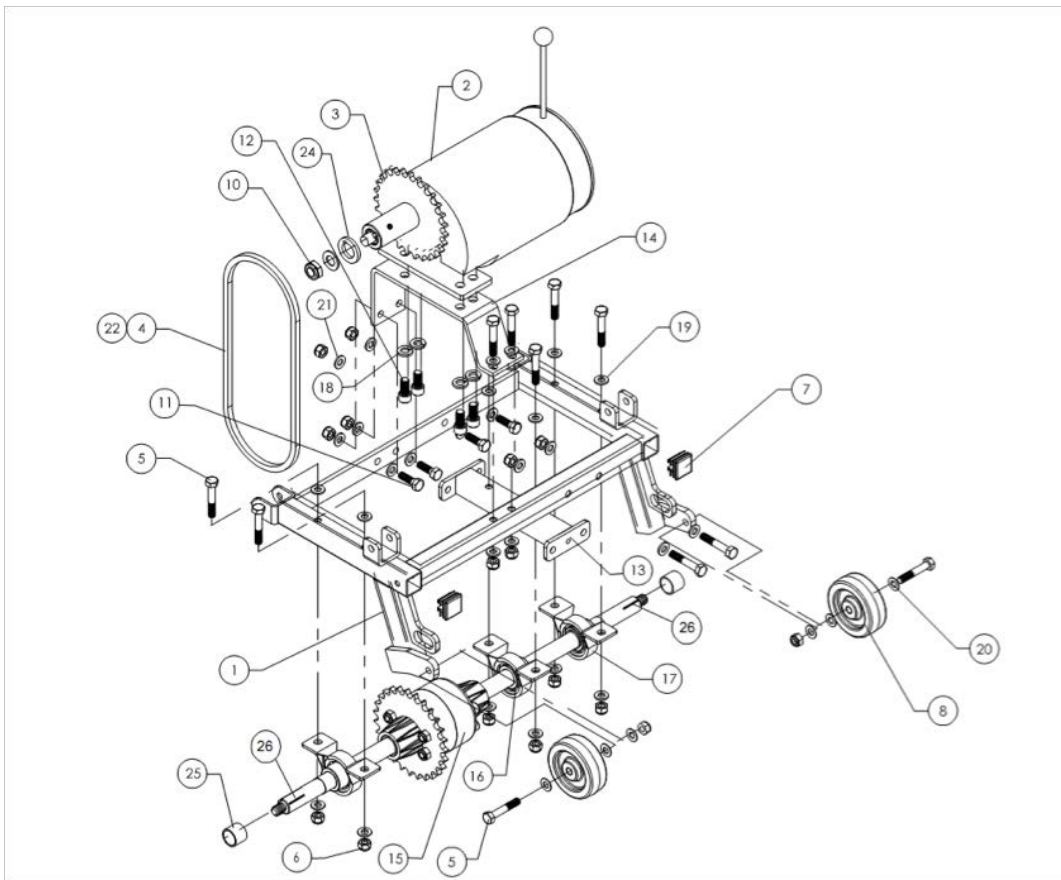
REAR FRAME TOP ASSEMBLY

Item	Description	Part No.	QTY
1	CONTROLLER DYNAMIC DR-90	HC-14732006	1
2	SCREW – M4 X 30MM LG	HC-SD04030	2
3	LOCKNUT – M4 X P0.70	HC-NN04P070	2
4	FRAME REAR TOP WELDMENT	HC-14721100	1
5 - 6	LOCKNUT – M8 X P1.25	HC-NH08P125	2
7	LOCKNUT – M5 X P0.80	HC-NN05P080	2
8	SCREW – M5 X 15MM LG	HC-SC05015	2
9	LATCHING HOOK	HC-14521014	1
10	WASHER FLAT METAL	HC-WE821615	6
11	BOLT – M8 X 30MM LG	HC-SH08030	1
12	SHOCK ABSORBER REAR	HC-14720005	2
13	SCREW – M6 X 38MM LG	HC-BA06038	2
14	SCREW - M6 X 13MM LG	HC-BA06013	2
15	VELCRO LOOP 76MM LG	HC-14253003	2
16	PEMNUT – M5 X P0.80	HC-NR05P080	1
2 - 16	FRAME REAR TOP ASSY	HC-04713701	1



WHEN ORDERING A CONTROLLER ALWAYS PROVIDE THE SCOOTER SERIAL NUMBER SO THE CORRECT PROFILE CAN BE LOADED.

NOTE: For use with 1700DT units S/N: NMD00001 (2010) onwards



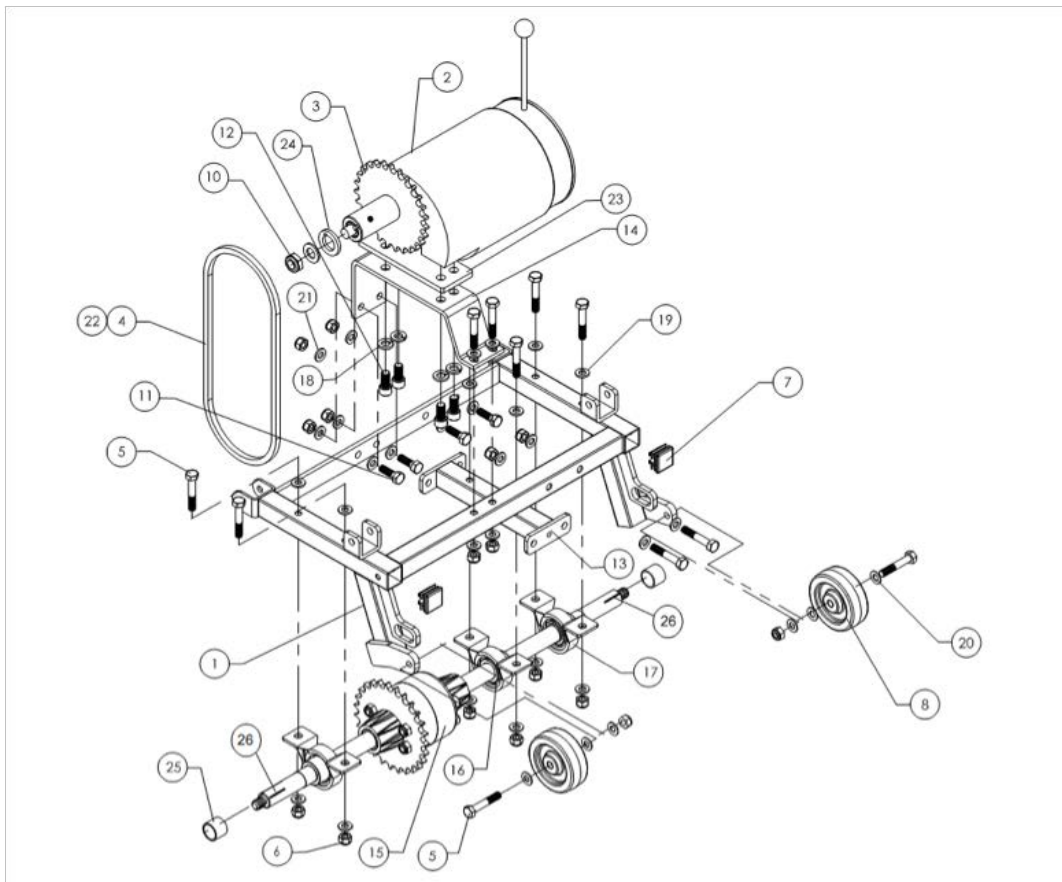
REAR FRAME BOTTOM DT ASSY REV. 2 - METRIC

Item	Description	Part No.	QTY
1	FRAME REAR BOTTOM WLMT	HC-14720100	1
2	SH MOTOR ASSY DT	HC-14741101	1
3	MOTOR SPROCKET 27 TOOTH	HC-14741110	1
4	CHAIN ASSY DRIVE #55	HC-016064	1
5	BOLT – M8 X 45MM LG	HC-BH08045	12
6	LOCKNUT – M8 X P1.25	HC-NN08P125	16
7	PLUG PLASTIC	HC-14520019	2
8	WHEEL ANTITIP PLASTIC	HC-14520023	2
9	WASHER FLAT METAL	HC-WE821610	6
10	LOCKNUT – M12 X P2.00	HC-NN12P020	1
11	BOLT – M8 X 25MM LG	HC-BH08025	4
12	BOLT – 3/8" X 19MM LG	HC-SM308024	4
13	HOLDER 3D BEARING DT	HC-14720108	1
14	BRACKET MOTOR MOUNT	HC-14720106	1
15	METRIC DIFFERENTIAL DT	HC-018524	1

Item	Description	Part No.	QTY
16	BEARING REAR METRIC	HC-SB204GRBI	3
17	REAR BEARING HOUSING	HC-007916	3
18	SPRING WASHER FLAT	HC-WS101825	4
19	FLAT WASHER METAL	HC-WE822020	12
20	FLAT WASHER METAL	HC-WE821610	6
21	FLAT WASHER METAL	HC-WE821620	4
22	CHAIN OFFSET LINK	HC-009302	1
24	HUB EXTENSION	HC-018491	1
25	COLLAR REAR METRIC	HC-14820016	2
26	METRIC KEYSTOCK	HC-KES55035	2
N/S	RETAINING RING METRIC	HC-CCS02010	2

NOTE: N/S = NOT SHOWN

NOTE: For use on older models 1700DT S/N: KMD00001-MMD01000 (2007 – 2009)

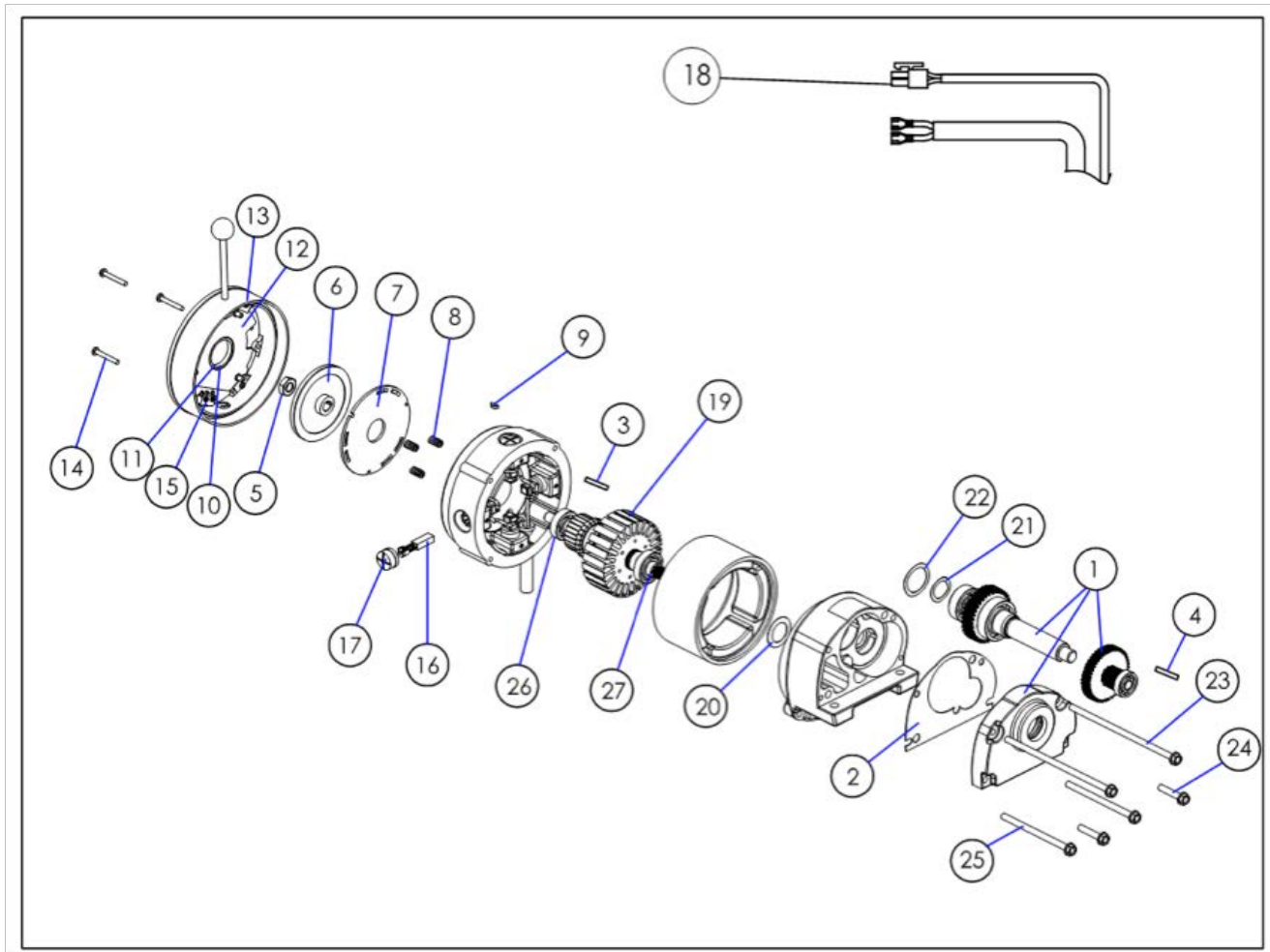


REAR FRAME BOTTOM DT ASSY REV. 1 - IMPERIAL

Item	Description	Part No.	QTY
1	FRAME REAR BOTTOM WLMT	HC-14720100	1
2	SH MOTOR ASSY DT	HC-14741101	1
3	MOTOR SPROCKET 27 TOOTH	HC-14741110	1
4	CHAIN ASSY DRIVE #55	HC-016064	1
5	BOLT – M8 X 45MM LG	HC-BH08045	12
6	LOCKNUT – M8 X P1.25	HC-NN08P125	16
7	PLUG PLASTIC	HC-14520019	2
8	WHEEL ANTITIP PLASTIC	HC-14520023	2
9	WASHER FLAT METAL	HC-WE821610	6
10	LOCKNUT – M12 X P2.00	HC-NN12P020	1
11	BOLT – M8 X 25MM LG	HC-BH08025	4
12	BOLT – 3/8" X 19MM LG	HC-SM308024	4
13	HOLDER 3D BEARING DT	HC-14720108	1
14	BRACKET MOTOR MOUNT	HC-14720106	1
15	DIFFERENTIAL W/40A27 SPRK.	HC-017392	1

Item	Description	Part No.	QTY
16	BEARING REAR	HC-001197	3
17	REAR BEARING HOUSING	HC-007916	3
18	SPRING WASHER FLAT	HC-WS101825	4
19	FLAT WASHER METAL	HC-WE822020	12
20	FLAT WASHER METAL	HC-WE821610	6
21	FLAT WASHER METAL	HC-WE821620	4
22	CHAIN OFFSET LINK	HC-009302	1
23	PLATE MOTOR MOUNT	HC-018490	1
24	HUB EXTENSION	HC-018491	1
25	REAR AXLE SPACER	HC-011747	2
26	KEYSTOCK 3/16" X 15/16"	HC-003448	2
N/S	SET COLLAR 3/4"	HC-000065	4
N/S	RETAINING RING 3 / 4"	HC-000066	2
N/S	WASHER FLAT 5/8" CC	HC-003205	2

NOTE: N/S = NOT SHOWN



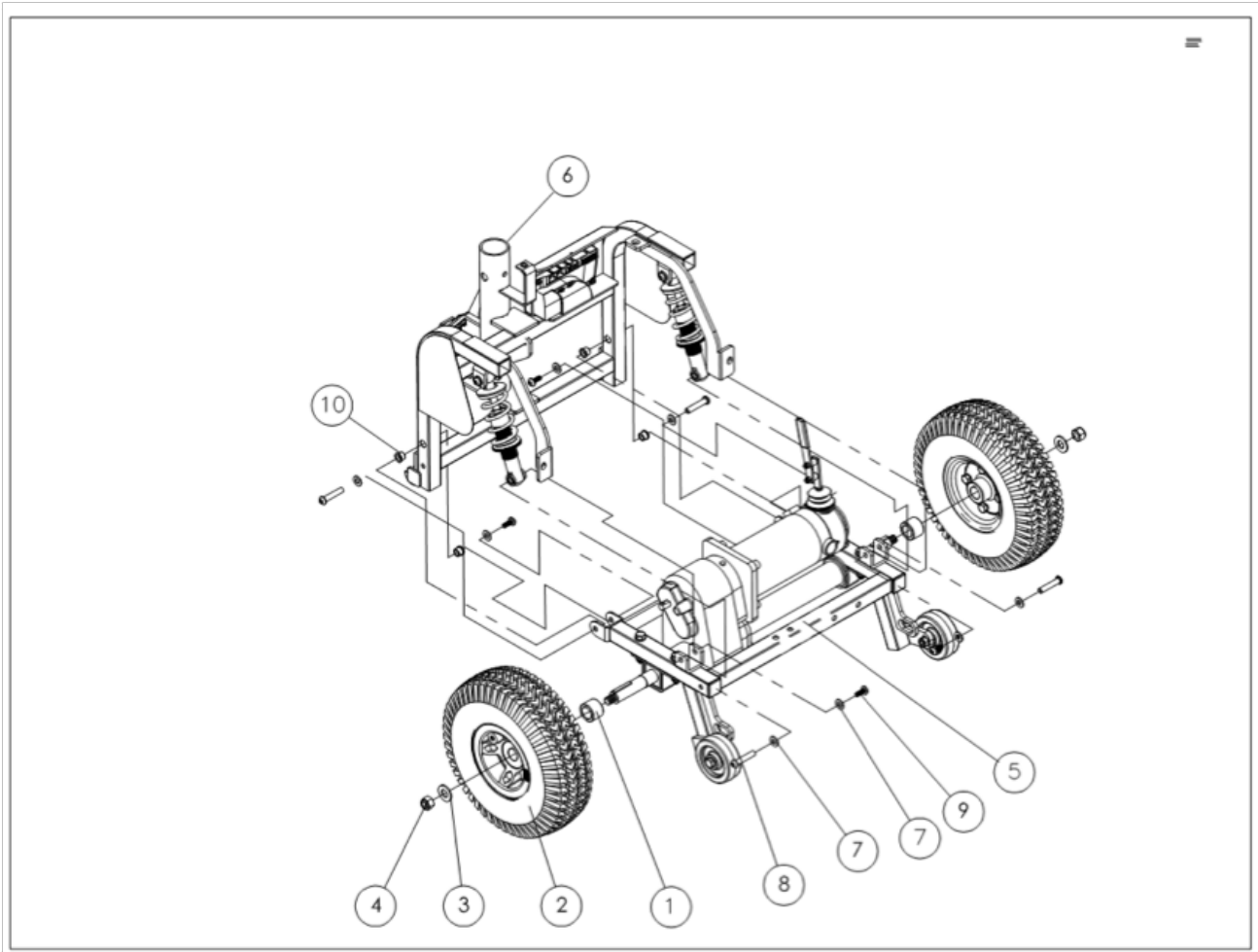
SH MOTOR DT ASSEMBLY

Item	Description	Part No.	QTY
1	MOTOR SH GEAR SET REPL.	HC-018449	1
2	MOTOR SH GASKET GEAR CASE	HC-018550	1
3	MOTOR SH WOODRUF KEY	HC-004237	1
4	KEYSTOCK 3/16	HC-003448	1
5	M10 X 1.25 HEXNUT THIN	HC-008943	1
6	DYNAMIC BRAKE DISC	HC-006000	1
7	STATIC BRAKE DISC	HC-004233	1
8	BRAKE COMP SPRING	HC-004247	1
9	STATIC BRAKE DISC RETAINING	HC-008946	1
10	BRAKE SPOOL SHIMS	HC-008946	1
11	35MM WASHER BELLEVILLE	HC-008940	1
12	BRAKE CAM PLATE W/ROD	HC-008507	1
13	BRAKE SPOOL ASSY DT MOTOR	HC-018451	1
14	M4 X 0.7 PHILIPS HD SCREW	HC-008945	1
15	MICROSWITCH FOR SPOOL	HC-004317	1
16	CARBON BRUSH SH MOTOR DT	HC-14741102	4
17	CAP BRUSH SH DT MOTOR	HC-018452	4
18	CONNECTOR S-MOLEX 2 PIN	N/A	1
19	ARMATURE SH MOTOR	HC-008803	1
20	SPRING WASHER	HC-000610	3

Item	Description	Part No.	QTY
21	WASHER WAVE TENSION 19mm	HC-005100	1
22	WASHER WAVE TENSION 28mm	HC-005097	1
23	SCREW M6 X 140mm LG	HC-004241	2
24	SCREW M6 X 30mm LG	HC-004242	2
25	SCREW M6 X 90mm LG	HC-004243	2
26	BRG SHAFT ARMATURE 6200Z	HC-005092	1
27	BRG SHAFT ARMATURE 6202Z	HC-005096	1
N/S	SHIM BRAKE 0.005" SET (x2)	HC-003272	1
N/S	GREASE FOR SH MOTOR	HC-003481	1
N/S	SEAL FOR MOTOR SHAFT	HC-008949	1

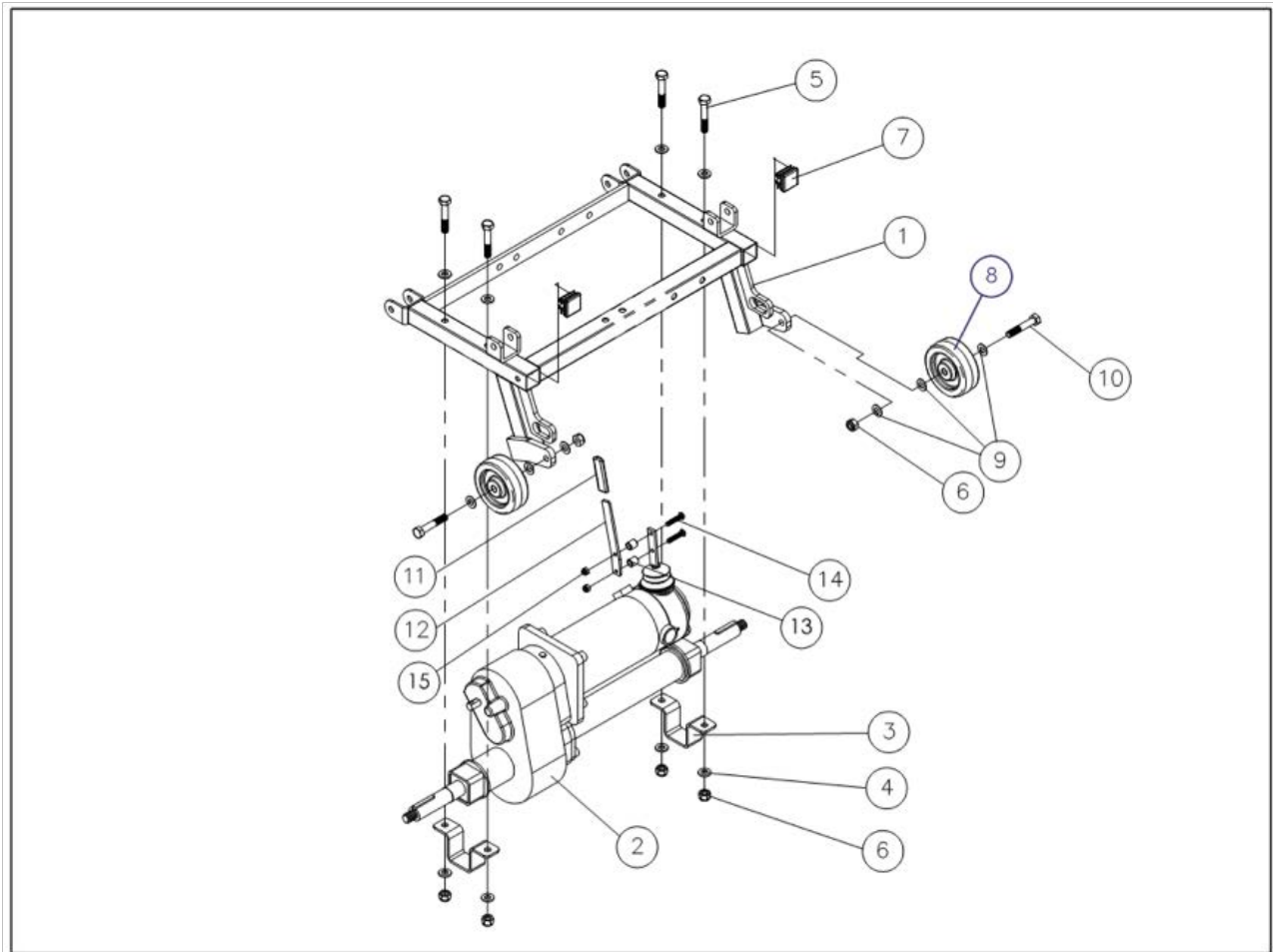
1-27	SH MOTOR ASSY DT	HC-14741101	1
------	------------------	-------------	---

NOTE: N/S = NOT SHOWN
N/A = NOT AVAILABLE



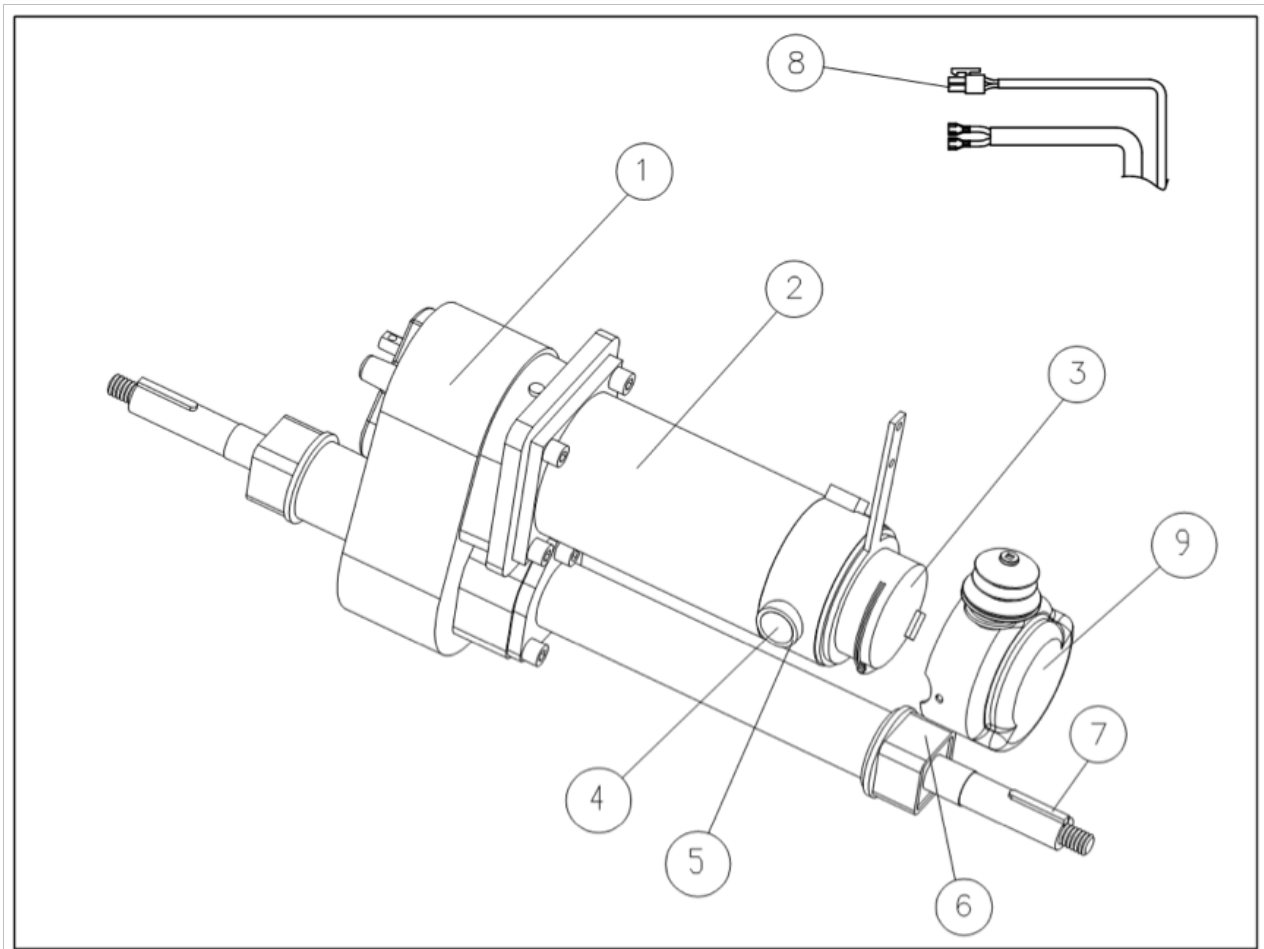
REAR FRAME ASSEMBLY - 1700TA

Item	Description	Part No.	QTY
1	COLLAR REAR METRIC 1700TA/DT	HC-14820016	2
2	WHEEL REAR ASSY	HC-04750100	2
3	WASHER FLAT METAL	HC-WE132625	2
4	LOCKNUT - M12 X P1.75	HC-NN12P175	2
5	FRAME REAR BOTTOM TA ASSY	HC-04713702	1
6	FRAME REAR TOP	HC-04713701	1
7	WASHER FLAT	HC-WE821615	8
8	SCREW M6 X 38MM LG	HC-BA06038	4
9	SCREW M6 X 13MM LG	HC-SR06013	4
10	BUSHING BRONZE 9.5MM LG	N/A	2
N/S	KEYSTOCK METRIC	HC-KES55035	2
1 - 10	REAR FRAME ASSY TA Rev.2	HC-018509	1



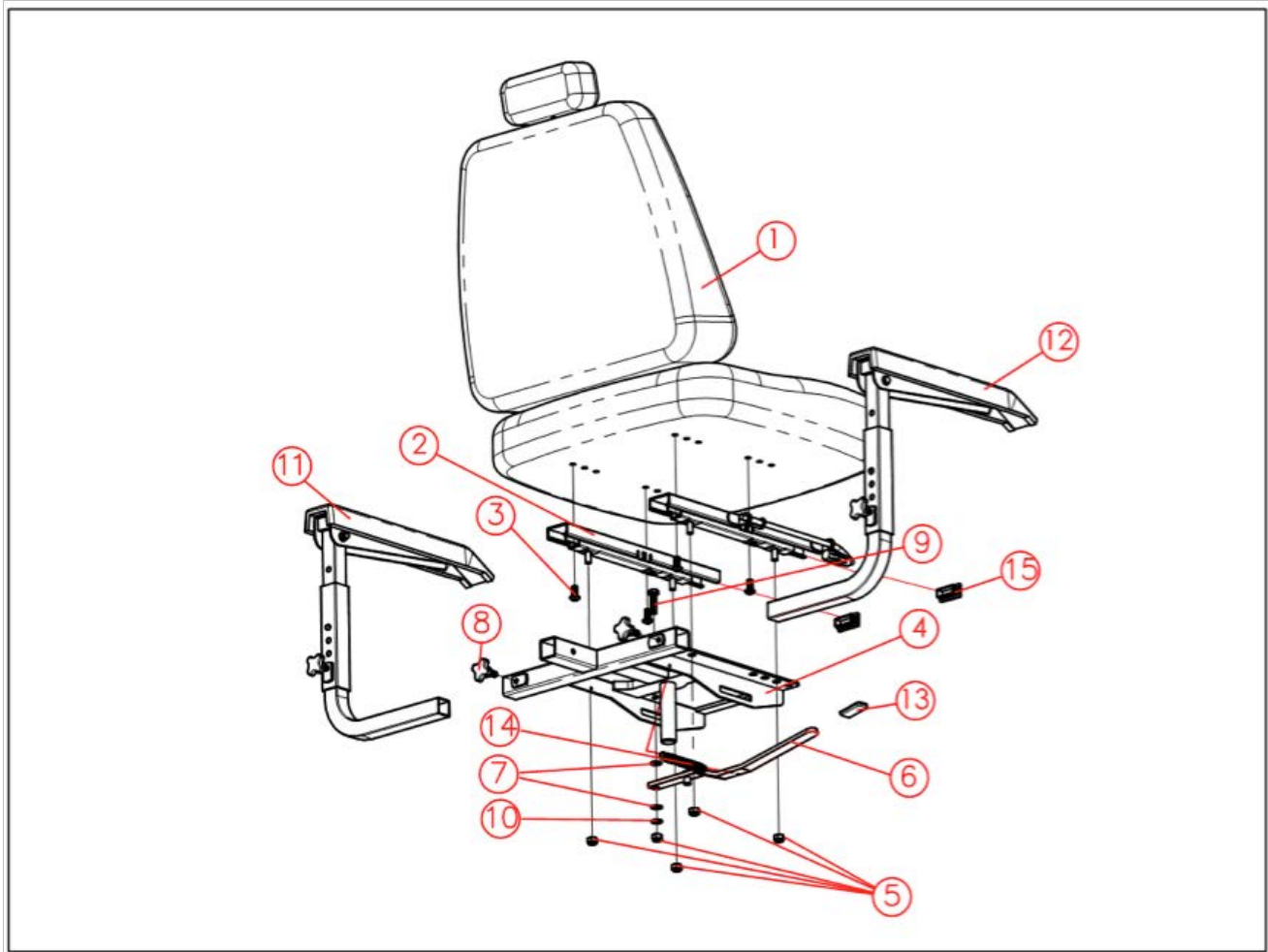
REAR FRAME BOTTOM TA ASSEMBLY

Item	Description	Part No.	QTY
1	FRAME REAR BOTTOM WLMT	HC-14720100	1
2	TRANSAXLE 1700TA ASSY	HC-1474A000	1
3	BRACKET MOUNT TRANSAXLE	HC-14720004	2
4	WASHER FLAT METAL	HC-WE821620	8
5	BOLT – M8 X 45MM LG	HC-BH08045	4
6	LOCKNUT – M8 X P1.25	HC-NN08P125	6
7	PLUG PLASTIC	HC-14520019	2
8	WHEEL ANTITIP PLASTIC	HC-14520023	2
9	WASHER FLAT METAL	HC-WE821610	6
10	BOLT – M8 X 45MM LG	HC-BH08045	2
11	TIP PVC	HC-14120005	1
12	EXTENSION BRAKE LEVER	HC-14720003	1
13	BUSHING 11MM LG	HC-14314107	2
14	SCREW – M5 X 25MM LG	HC-SR0525	2
15	LOCKNUT – M5 X P0.80	HC-NN05P080	2
1 - 15	FRAME REAR BOTTOM TA ASSY	HC-04713702	1



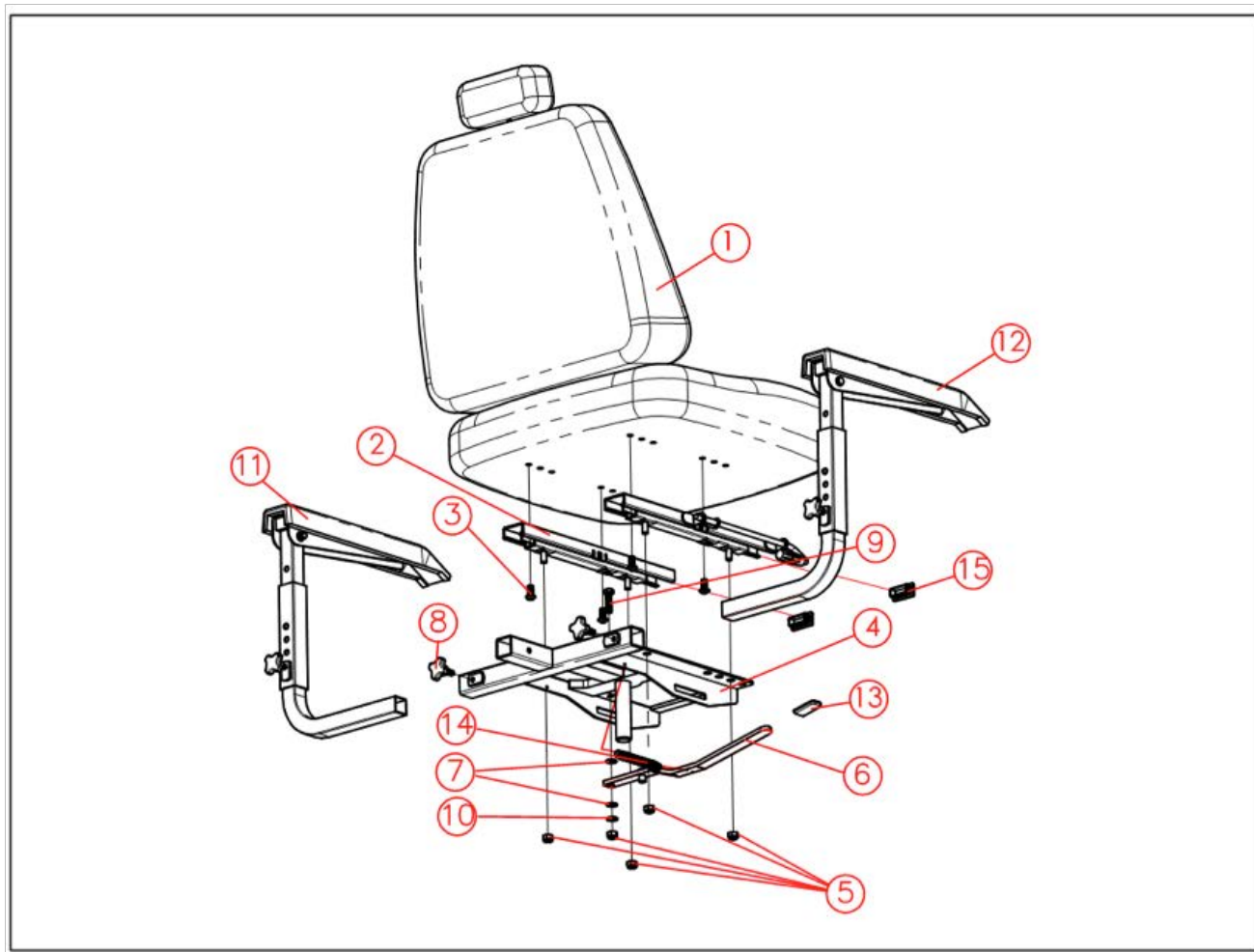
TRANSAXLE ASSEMBLY TA

Item	Description	Part No.	QTY
1	TRANSAXLE GEARBOX	HC-04540000	1
2	MOTOR 10K TA	HC-0473410K	1
3	BRAKE ASSEMBLY TA	HC-04734010	1
4	BRUSH MOTOR 10K TA	HC-14734001	2
5	CAP BRUSH MOTOR 10K TA	HC-14734002	2
6	PAD MOUNTING	HC-14540001	2
7	KEY TRANSAXLE	HC-KES55035	2
8	CONNECTOR S-MOLEX 2 PIN	N/A	1
9	COVER BRAKE ASSEMBY TA	HC-04734020	1
N/S	COLLAR METRIC	HC-14820016	2
1 - 9	TRANSAXLE ASSEMBLY TA	HC-1474A000	1



CAPTAIN SEAT REGULAR ASSEMBLY

Item	Description	Part No.	QTY
1	SEAT CAPTAIN REG. W/HEADREST	HC-14552A00	1
2	SLIDER 4" ASSY COMPLETE	HC-14352020	1
3	SCREW – M8 X 16MM LG	HC-SR08016	4
4	SEAT PLATE WELDMENT 4 POS	HC-14712200	1
5	LOCKNUT – M8 X P1.25	HC-NN08P125	5
6	LEVER SEAT WELDMENT	HC-14712300	1
7	FLATWASHER PLASTIC	HC-WP821615	2
8	HANDWHEEL - M8 X 15MM LG	HC-BT12M08	1
9	SCREW – M8 X 30MM LG	HC-SH08030	1
10	FLATWASHER METAL	HC-WE821620	1
11	ARMREST ASSY LH ADJUSTABLE	HC-04352100C	1
12	ARMREST ASSY RH ADJUSTABLE	HC-04352200C	1
13	TIP PVC	HC-14212104	1
14	TENSION SPRING	HC-14212105	1
15	END CAP PLASTIC	HC-14752001	2
1 - 15	SEAT ASSY CAPTAIN REGULAR	HC-04713A00	1

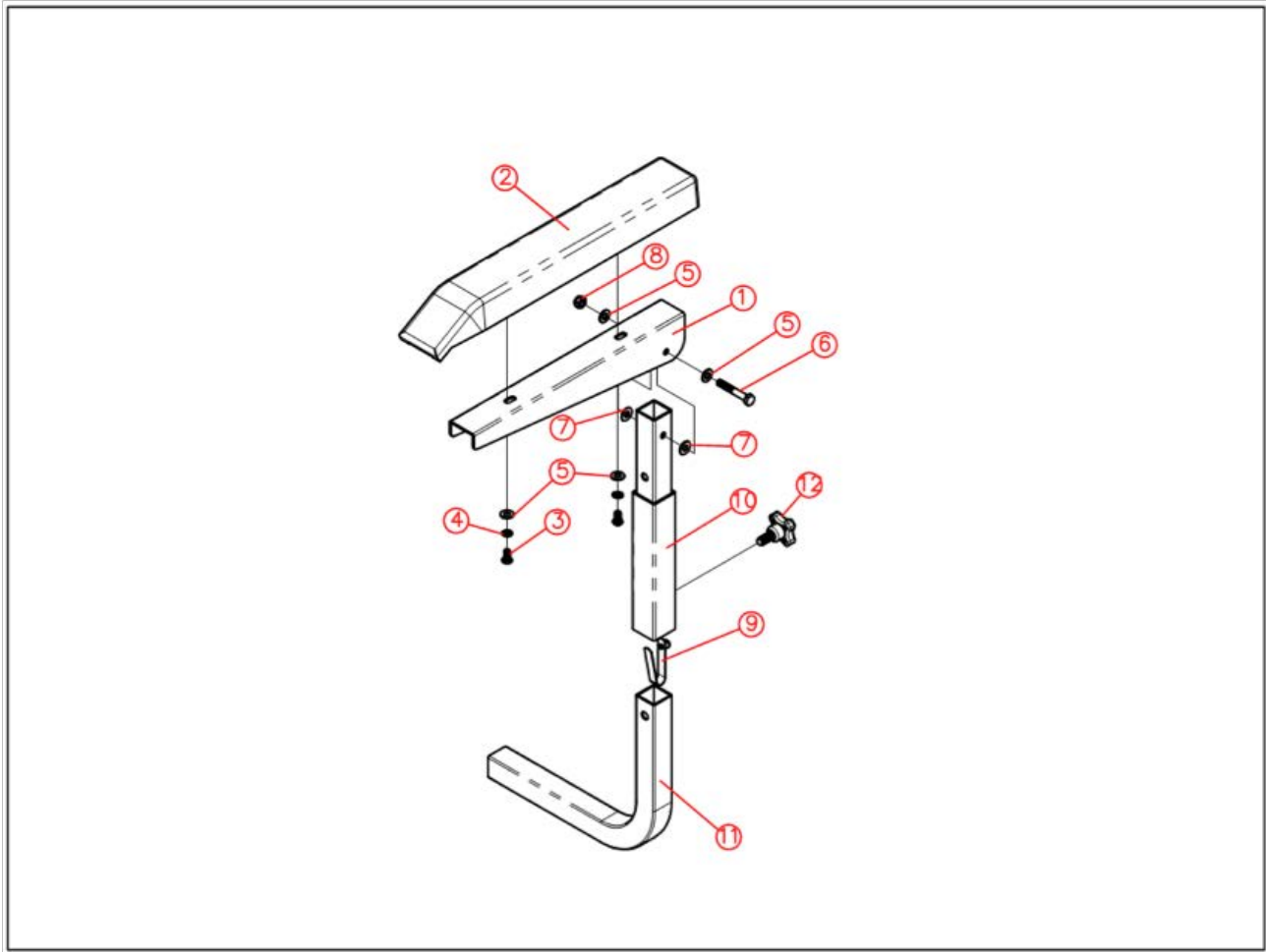


CAPTAIN SEAT H/BACK ASSEMBLY

Item	Description	Part No.	QTY
1	SEAT CAPT H/BACK.W/HEADREST	HC-14552C00	1
2	SLIDER 4" ASSY COMPLETE	HC-14352020	1
3	SCREW – M8 X 16MM LG	HC-SR08016	4
4	SEAT PLATE WELDMENT 4 POS	HC-14712200	1
5	LOCKNUT – M8 X P1.25	HC-NN08P125	5
6	LEVER SEAT WELDMENT	HC-14712300	1
7	FLATWASHER PLASTIC	HC-WP821615	2
8	HANDWHEEL - M8 X 15MM LG	HC-BT12M08	1
9	SCREW – M8 X 30MM LG	HC-SH08030	1
10	FLATWASHER METAL	HC-WE821620	1
11	ARMREST ASSY LH ADJUSTABLE	HC-04352100C	1
12	ARMREST ASSY RH ADJUSTABLE	HC-04352200C	1
13	TIP PVC	HC-14212104	1
14	TENSION SPRING	HC-14212105	1
15	END CAP PLASTIC	HC-14752001	2
1 - 15	SEAT ASSY CAPTAIN H/BACK	HC-0421200	1

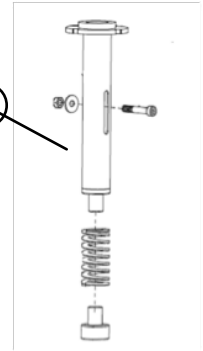
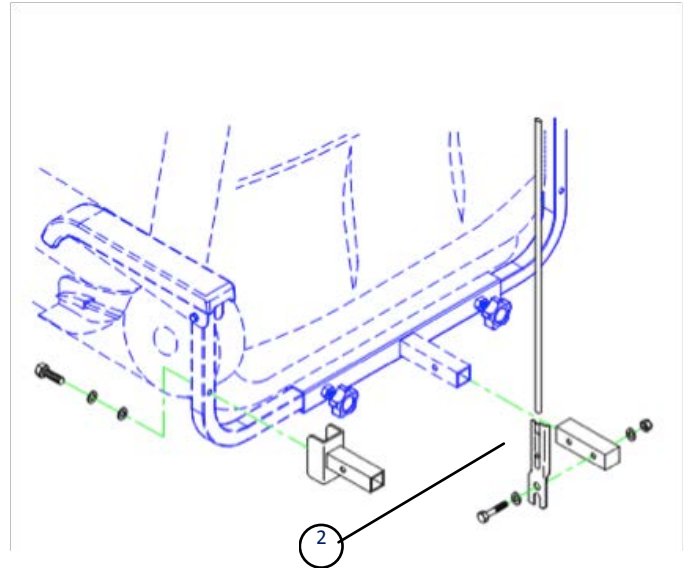
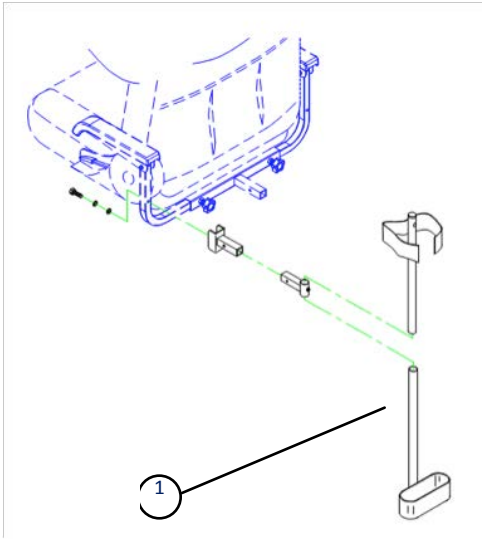


DUE TO SAFETY AND DYNAMIC STABILITY THIS SEAT IS INTENDED FOR USE ONLY ON 4-WHEEL 1700 SERIES SCOOTERS.



ARMREST ADJUSTABLE ASSEMBLY

Item	Description	Part No.	QTY
1	ARMREST SUB	HC-14552010	1
2	ARMPAD FOAM CAPTAIN	HC-14552014	1
3	SCREW – M6 X 10MM LG	HC-SD06010	2
4	WASHER SPRING METAL	HC-WS641015	2
5	WASHER FLAT METAL	HC-WE641310	4
6	BOLT – M6 X 40MM LG	HC-BH06040	1
7	WASHER PLAT PLASTIC	HC-WP601410	2
8	LOCKNUT – M6 X P1.00	HC-NN06P100	1
9	DETENT BUTTON	HC-SP00101	1
10	ARMPOST WELDMENT	HC-14312400C	1
11	ARMPOST TUBE	HC-14312401C	1
12	HANDWHEEL – M8 X 15MM LG	HC-BT12M08	2
1 - 12	ARMREST ASSY LH ADJUSTABLE	HC-04352100C	1
1 - 12	ARMREST ASSY RH ADJUSTABLE	HC-04352200C	1



SCOOTER ACCESSORIES

Item	Description	Part No.	QTY
1	CANE HOLDER ARM MOUNT	HC-018373	1
2	SAFETY FLAG ASSEMBLY	HC-018377	1
3	CHARGER BATT 24V 8A W/CONN	HC-018391	1
4	SEAT SUSPENSION KIT	HC-018540	1
5	PROGRAMMER HH DX KIT	HC-DX-HHP	1
6	ADAPTER DWIZ HHP DYN (SPARE)	HC-DWIZADAPT	1
N/S	OXYGEN TANK HOLDER – ARM MT	HC-018374	1
N/S	MIRROR ASSY LH MOUNT	HC-04757002	1
N/S	MIRROR ASSY RH MOUNT	HC-04757001	1
N/S	BATTERY U1 33Ah	8GU1	2
N/S	BATTERY GR22NF 55Ah	BW-12550	2

NOTE: N/S = NOT SHOWN

