

S34P

User Manual



HEARTWAY



PRIDE[®]
MOBILITY
LIVE YOUR BEST[®]


INCLUDES MODEL : S34P AND S19P

Version: 2022-02

Contents

Information	P1
Safety Instruction	P4
Electromagnetic Interference	P8
Product Specification	P10
Adjustment	P11
Operation of Control	P14
Brake & Battery Connection	P17
Battery & Charging Instruction	P18
Indicator Signal	P23
Maintenance & Repair	P24
BOM List	P27
Warranty Declaration	P28
Information	P29



Manufacturer: Electrically powered scooter Class A (EN 12184) 

Heartway Medical Products. Co. Ltd. No 18th Jingke Central 1st Road Nantun Dist.
Taichung City 408, Taiwan ROC.



The users need to consult the instructions of the device for information on how to use it properly

Moving of adult disabled persons by self-driving. Maximum user weight: 115 kg;
Classified in Class A (EN12184) Maximum safe slope: 3°
(Not intended for outdoor use).

The product is not intended for visually impaired people.

The drivers need to be mentally and physically suitable to drive the scooters.

The fingers need to work functionally.

The device can't be used by children until age of 12.

The driving distance will be reduced if the power scooter is used frequently on slopes, rough ground or to climb kerbs.

The scooter is not for use as a seat in motor vehicle.

All adjustments can be adjusted by both occupant and assistant.



WARNING

This vehicle is suitable for land and/or air transport.

Please refer to our official website for general product information at www.heartway.com.tw

Do not, under any circumstance, climb a slope greater than the maximum climbing angle (3 degree) with this power mobility. Any attempt to climb a slope steeper/greater than 6 degree may put your power mobility in an unstable position and cause it to tip. When on any sort of an incline or decline slope, never place the power mobility in freewheel mode.

This power scooter may come to a sudden stop at any time during operation.

Don't operate your power scooter without completely reading and understanding this user manual!

Don't operate the scooter with depleted batteries, since the occupant could be stranded. The end user is NOT allowed to change the parameter.

The occupant can switch off the key to stop the scooter for any emergency stop.

Please remove the battery package from the scooter unit before long term storage.

****Notice to the user and/or patient that any serious incident that has occurred in relation to the device should be reported to the manufacturer and the competent authority of the Member State in which the user and/or patient is established****

Scooter should be turned off prior to entering or exiting the seat.

Make sure the scooter is fully un-folded before driving.

Environmental conditions may affect the safety and performance of your power scooter. Water and extreme temperatures are the main elements that can cause damage and affect performance.

A) Rain, Sleet and Snow:

If exposed to water, your power scooter is susceptible to damage to electronic or mechanical components.

Water can cause electronic malfunction or promote premature corrosion of electrical components and frame.

B) Temperature:

Some of the parts of the power scooter are susceptible to change in temperature.

The controller can only operate in temperature that range between -20°C and $+45^{\circ}\text{C}$

At extreme low temperatures, the batteries may freeze, and your power scooter may not be able to operate.

In extreme high temperatures, it may operate at slower speeds due to a safety feature of the controller that prevents damage to the motors and other electrical components.

The following symbols are used in the scooter to identify warnings, mandatory actions and prohibited actions. It is very important that you read and understand them completely.



Read and follow the information in the instruction manual.



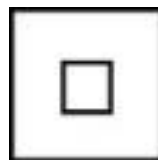
Caution. Observing notes and accompanying documents

Scooter Class A

It is classified in category A according to EN 12184.
It is compact, maneuverable and not necessarily able to overcome obstacles outdoors



For ambient conditions



Protection class II



Charger IPX0 "Protect from moisture" /
Scooter IPX4 "Splashproof"



Does not meet the ISO 7176-19 standard for occupied transport in a motor vehicle. When travelling in a motor vehicle, do not sit in your travel scooter.



Devices for decommissioning the drive system
Warning: Switch on the drive system again before leaving a user unattended.



Scooter information label

◆ General



Always use a seat belt and keep your feet on the scooter all the time.



Never operate the scooter while you are under the influence of alcohol.



Never use electronic radio transmitters such as walkie-talkies, or cellular phones.



Do not ride your scooter in traffic.



Do not attempt to climb curbs greater than limitation show on Technical Specification.



Do not leave your hands and legs off the scooter when driving.



Make sure that there are no obstacles behind you while reserving your scooter.



Do not make a sharp turn or a sudden stop while riding your scooter.



Do not ride your scooter during snow in order to avoid accident on slippery road.



Do not allow unsupervised children to play near this equipment while the batteries are charging.



Don't operate your scooter for the first time without completely reading and understanding this user manual.

1. Don't operate scooter on public streets and roadways. Be aware that it may be difficult for traffic to see you when you are seated on the scooter. Obey all local pedestrian traffic rules. Wait until your path is clear of traffic, and then proceed with extreme cautions.
2. To prevent injury to yourself or others, always ensure that the power is switched off when getting on or off of the scooter.
3. Always check that the drive wheels are engaged (drive mode) before driving. Do not switch off the power when the scooter is still moving forward. This will bring the chair to an extremely abrupt stop.
4. Do not use this product or any available optional equipment without first completely reading and understanding these instructions. If you are unable to understand the warnings, cautions or instructions, contact a healthcare professional, the dealers or technical supports before attempting to use this equipment, otherwise, injury or damage may occur.
5. There are certain situations, including some medical conditions, where the scooter user will need to practice operating the scooter in the presence of a trained attendant. A trained attendant can be defined as a family member or care professional especially trained in assisting a scooter user in various daily living activities. Consult with your physician if you are taking any medication that may affect your ability to operate your scooter safely.
6. Do not attempt to lift or move a power scooter by any of its removable parts including the armrests, seats or shrouds. Personal injury and damage to the power chair may result.
7. Never try to use your scooter beyond its limitations as described in this manual.
8. Please do not sit on your scooter while it is in a moving vehicle.
9. Keep your hands away from the wheels (tires) while driving scooters. Be aware that loose fitting clothing can become caught in the drive tires.
10. Consult your physician if you are taking prescribed medication or if you have any certain physical limitations. Some medications and limitations may impair your ability to operate scooters in a safe manner.
11. Be aware when the drive mode is unlocked or locked.
12. Don't remove anti-tipper if there is any-tipper equipped with the scooter.
13. Contact with tools can cause electrical shock and do not connect an extension cord to the AC/DC converter or the battery charger.
14. Do not attempt to lift or move your scooter by any of its removal parts, such as the armrests, seats, or shroud.
15. When climbing an incline, don't drive at an angle up the face of the incline. Drive your scooter straight up the incline. This greatly reduces the possibility of a tip or a fall.
16. Don't climb a slope steeper than the scooter's limitation.
17. Don't attempt to have your scooter proceed backward down any step, curb or other obstacle. This may cause the scooter to fall or tip.
18. Always reduce your speed and maintain a stable center of gravity when cornering sharply. Don't corner sharply when driving scooters at higher speeds.

19. Operating in rain, snow, salt, mist conditions and on icy or slippery surfaces may have an adverse affect on the electrical system.
20. Never sit on your scooter when it is being used in connection with any type of lift or elevation product. Your scooter is not designed with such use in mind and any damage or injury incurred from such use is not the responsibility of Heartway.
21. Surfaces of the power scooter that can come into direct contact with the occupant's skin and/or assistant's skin during normal use and that are within occupant reach shall not exceed 41°C. The motor surface can reach temperatures greater than 41°C after driving. Do not touch these parts when disassembling the scooter or wait until the motor is cooled down.
22. The programming of the controller shall only be carried out by personnel, which is authorized by his manufacturer. A wrong programming can result in safety hazards for the occupant!
23. If the power scooter is switched off while driving on the horizontal at maximum speed at 6 km/h , it will come to a stop with the maximum stopping distance of 1 m. Please consider this distance when driving. 6 KM/H
24. Drive-wheel needs to be switched to engaged-mode while transporting the power scooter with a car or airplane.
25. Surface temperatures can increase when exposed to external sources of heat.
26. The driver/user is never allowed to sit on the scooter when the scooter is on free-wheel mode.

MODIFICATIONS

Heartway Medical Product has designed and engineered power scooter to provide maximum utility. However, under no circumstances should you modify, add, remove, or disable any part or function of your power scooter. Personal injury and damage to the power scooter may result.

Any additional adjustment or settings made on the scooters, without the manufacturer's permission, will affect the driving stability and operation stability.

1. Do not modify your power scooter in any way not authorized by Heartway. Do not use accessories if they have not been tested or approved for Heartway products. Changing of controller parameter shall be only performed by authorized technicians due to the safety concern.
 2. Get to know the feel of your power scooter and its capabilities. Heartway recommends that you perform a safety check before each use to make sure your power scooter operates safely.
- ◆ Inspections prior to using your power scooter:
1. If equipped with pneumatic tires, please check for proper tire inflations.
 2. Please check all electrical connections and make sure they are tight and not corroded.
 3. Please check all harness connections and make sure they are secured properly.
 4. Please check the brakes.

◆ Weight limitation.

1. Please refer to the specifications table for weight capacity information. Power scooter is rated for a maximum weight capacity.
2. Stay within the specified weight capacity for your scooter. Exceeding the weight capacity voids your warranty.
3. Heartway will not be held responsible for injuries or property damage resulting from failure to observe weight limitations.
4. Don't carry passengers on scooters.
5. Carrying passengers on scooter may affect the center of gravity, resulting in a tip or a fall.

◆ Tire inflation

1. If your scooter is equipped with pneumatic tires, it is necessary to check the air pressure at least one time a week.
2. Proper inflation pressures will prolong the life your tires and ensure the smooth operation while riding.
3. Do not under-inflate or over-inflate your tires. It is critically important that 30-35 psi tire pressure be maintained in pneumatic tires at all times.
4. Inflating your tires from an unregulated air source could over-inflate them, resulting in a burs tire.
5. Wheels on your scooter should only be serviced/replaced by a qualified technician.
6. Completely deflate pneumatic tires before dismantling the rim or attempting repair.
7. Be sure that the key is removed from the key switch and the scooter is not in free-wheel mode before performing this procedure repair
8. When changing a pneumatic tire, remove only the lug nuts, then remove the wheel. If any further disassembly is required, deflate the tire completely

◆ Temperature



1. Some of the parts of the power scooter are susceptible to change in temperature. The controller can only operate in temperature that ranges between -20°C ~ 45°C .
2. At extreme low temperatures, the batteries may freeze, and your power scooter may not be able to operate. In extreme high temperatures, it may operate at slower speeds due to a safety feature of the controller that prevents damage to the motors and other electrical components.
3. The scooter can generally be operated at outside temperatures from -10° to $+45^{\circ}\text{C}$.
4. Some parts of the scooter tend to be temperature dependent. The controller works best at temperatures between 25°C and 45°C .
5. Below -15°C the batteries can freeze and the scooter may not work.
6. At extremely high temperatures $> 45^{\circ}\text{C}$, the safety function of the control, which prevents damage to the motors and other electrical components, can lead to slower maximum speeds.

The rapid development of electronics, especially in the area of communications, has saturated our environment with electromagnetic (EMI) radio waves that are emitted by television, radio and communication signals. These EMI wave are invisible and their strength increases as one approach the source. All electrical conductors act as antennas to the EMI signals and, to varying degrees, all power scooters and scooters are susceptible to electromagnetic interference (EMI). The interference could result in abnormal, unintentional movement and/or erratic control of the vehicle. The United States Food and drug Administration (FDA) suggests that the following statement be incorporated to the user's manual for all power scooter like the S34P.

Power scooters may as susceptible to electromagnetic interference (EMI), which is interfering electromagnetic energy emitted from sources such as radio stations, TV stations, amateur radio (HAN) transmitter, two-way radios, cellular phones and alarm systems of shops. The interference (from radio wave sources) can cause the power scooter to release its brakes, move by itself or move in unintended directions. It can also permanently damage the powered scooter's control system. The intensity of the EM energy can be measured in volts per meter (V/m). Each powered scooter can resist EMI up to a certain intensity. This is called "immunity level". The higher the immunity level the greater the protection. At this time, current technology is capable of providing at least 20 V/m of immunity level, which would provide useful protection against common sources of radiated EMI.

Following the warnings listed below should reduce the chance of unintended brake release or powered scooter movement that could result in serious injury:

1. Do not turn on hand-held personal communication devices such as citizens band (CB) radios and cellular phones while the powered scooter is turned on.
2. Be aware of nearby transmitters such as radio or TV stations and try to avoid coming close to them.
3. If unintended movement or brake release occurs, turn the powered scooter off as soon as it is safe.
4. Be aware that adding accessories or components, or modifying the powered scooter, may make it more susceptible to interference from radio wave sources .(Note: It is difficult to evaluate the effect on the overall immunity of the powered scooter)
5. Report all incidents of unintended movement or brake release to the powered scooter manufacturer, and note whether there is a radio wave source nearby.

TURN OFF YOUR POWERED SCOOTER AS SOON AS POSSIBLE WHEN EXPERIENCING THE FOLLOWING:

- Unintentional scooter movements.
- Unintended or uncontrollable direction.
- Unexpected brake release.

The FDA has written to the manufacturers of power scooters asking them to test new products to be sure they provide a reasonable degree of immunity against EMI.

The FDA requires that a powered scooter should have an immunity level at least 20 V/m, which provides a reasonable degree of protection against more common sources of EMI. The higher the immunity level the greater the protection. Your powered scooter has an immunity level of 20 V/m which should protect against common sources of EMI.

WARNING

- The scooter itself can disturb the performance of the electromagnetic fields such as emitted by alarm systems of shops.
- The driving performance of the scooter can be influenced by electro magnetic fields.

The seat is tested according to EN 1021 regarding resistance to ignition, but it is recommended to avoid the use of flame near the power scooter and of smoking during sitting on the power scooter.

Remarks:

The stability tests were performed in the least stable positions of the seat (height and front/rear position).

The distance will be reduced if the wheelchair is used frequently on slopes, rough round or to climb the kerbs.

WARNING

The stopping distance on the slope can be significantly greater than on the level ground.

Indication/ Intended Purpose:

Moving of disabled by self driving.

This medical equipment is intended to provide mobility to persons restricted to a seated position, e.g. for patient , especially for the leg disabled person.



MODEL	S34P.S19P
WEIGHT CAPACITY	115kgs(250 lbs.)
SEAT: TYPE/SIZE	16"
DRIVE WHEEL	8"(PU Tire)
FRONT CASTER (WHEEL)	7" (PU Tire)
REAR CASTER (ANTI-TIPPER)	YES
MAX SPEED	6 KM/H
BATTERY SPECIFICATIONS	25.2V 10.05Ah Li-Polymer / 12V 12AH* 2 pcs
BATTERY RANGE	13.3 km (Lithium) / 15 Km (Lead acid)
CHARGER TYPE	3.5Amp, 100-240 Volt, Li-ION Charger 2 Amp, 120/240 Volt, Lead acid Charger
CONTROLLER TYPE	S-DRIVE 45 Amp
MOTOR TYPE	270W
WEIGHT: W/ BATTERY	25.6 kgs
WEIGHT : W/O BATTERY	22 kgs
TURNING RADIUS	820 mm
LENGTH	930 mm
WIDTH	485 mm
HEIGHT	945 mm
FOLDED SIZE	750 mm*485 mm*450mm
SEAT DEPTH	330 mm
BACK HEIGHT	360 mm
WHEEL BASE	695 mm
GROUND CLEARANCE	60 mm
FOOTRESTS	420 MM

Warning: Remove the key from the keys witch before adjusting the seat.

Never attempt to adjust the seat

while the scooter is moving. It's very easy to assemble your scooter.

Please follow the instructions below.

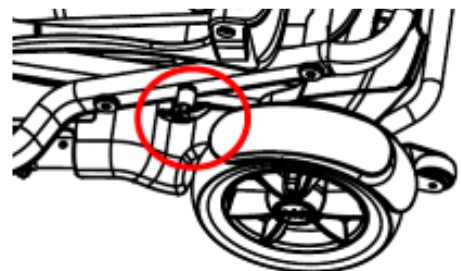
The Power Scooter has an aluminum alloy and folds easily to make it a great choice to transport in a vehicle.

It is very easy to assemble your scooter. Please follow the procedure below.

The power scooter has aluminum alloy body and can be easily folded to fit in the car for transportation.

See the following four steps to open the scooter

1) Pull the red lever on the left side of the scooter by the seat to release the lock.



2) Unfold the scooter by pushing the tiller forward.

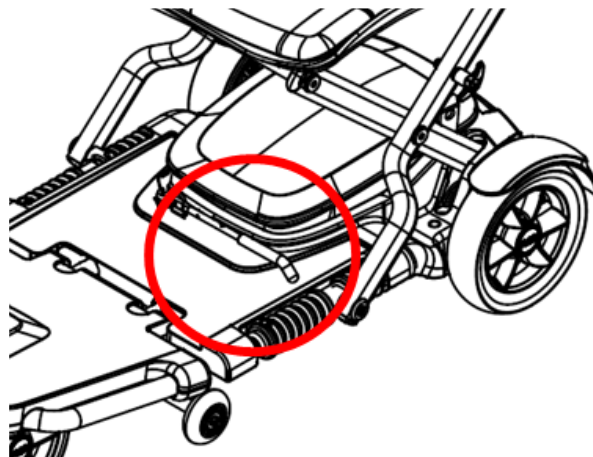


3) Lock the scooter onto the open position by pulling the seat up and pushing the tiller forward until a click sound is heard. Make sure the adjustment knob is locked into position. Insert the key and turn it to power the scooter. Begin using your scooter and enjoy your ride!



See the following four steps to close the scooter

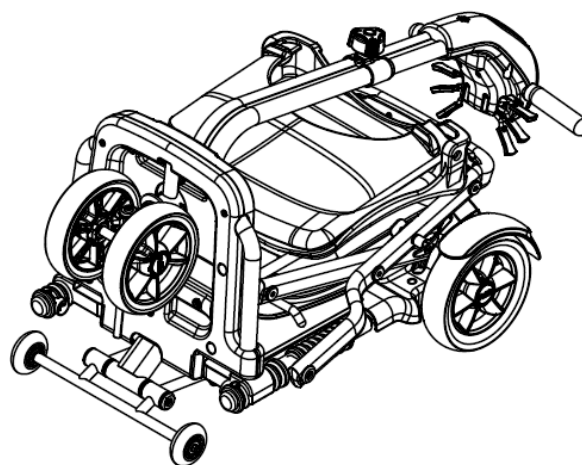
1) Pull the red lever on the floorboard of the scooter to release the lock.



2) Fold the seat backrest down and then fold the tiller downward.



3) Lock the scooter onto the closed position by pushing the tiller down until a lock is heard.



NOTE

Both assistance and occupant are allowed to perform the folding and un-folding scooter procedures.

The seat material is tested according to ISO 7176-16 flammability standard.

The power scooter has provision for an anterior pelvis support to be fitted such as belt.

The manufacture has available as an option an anterior pelvic support which and be used with that provision

The scooter travelling range depends on the road conditions, battery quality and tire pressure

WARNING

- ⇒ PLEASE TURN OFF THE POWER BEFORE FOLDING/UNFOLDING POWER SCOOTER
- ⇒ PINCH POINT-BE AWARE OF FINGERS WHEN FOLDING AND UNFOLDING POWER SCOOTER



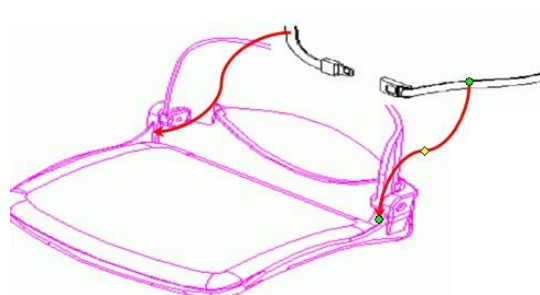
- ◆ Never open the battery box. If you have any question, please contact your local authorized dealer or technical supports for further support and assistance.
- ◆ The power scooter needs to be folded properly before any transporting.

Seat Belt

Seat belt is regarded as optional accessory for the power scooter

Seat belt can be installed onto the seat (see photo below)

Please consult with the local authorized dealer for safety belt installation.



OPERATION OF CONTROL PANEL



Prohibited ! Do not expose the tiller console to moisture. In the event that the tiller console does become exposed to moisture, do not attempt to operate your travel scooter until the tiller console has dried thoroughly.

A .Word of Caution:

Before you turn the power on, always be aware of the environment that surrounds you to select your desired speed. For indoor environments we recommend that you select the slowest speed setting. For outdoor operation of this vehicle we recommend that you select a speed that is comfortable for you to control it safely. The following steps are required to operate your vehicle safely with the controller.

The power scooter is simple to operate. However, we recommend that you read carefully the following instructions to become familiarized with your new vehicle.

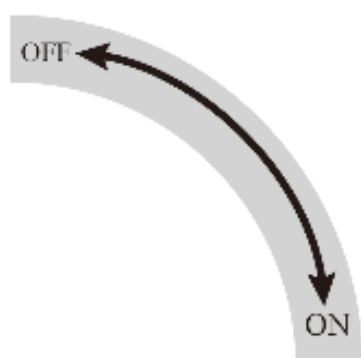
Please do not operate this power scooter if it is behaving abnormally or erratically.

The following operation can be carried out either by assistant or occupant .

B. KEY ON

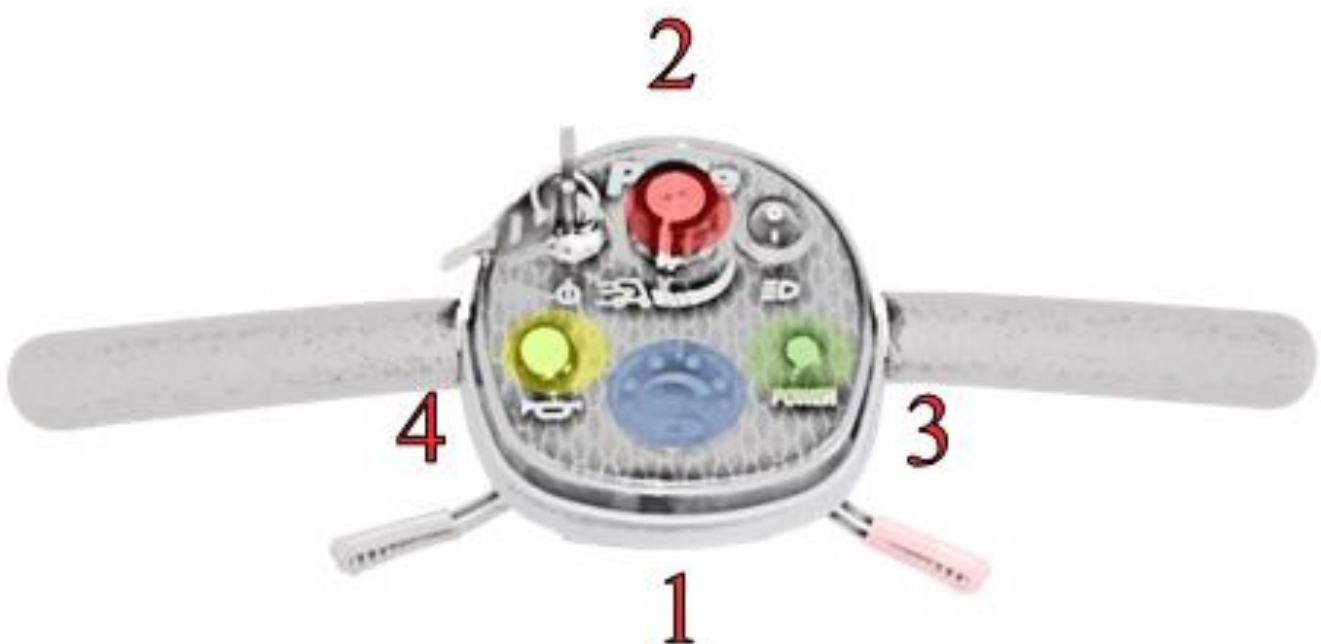
Insert the key and rotate it clockwise to power on the scooter.

To turn off the scooter rotate the key anti clockwise.



Button functions

1. **Battery Indicator:** When your scooter is switched on, the needle on the meter will move across the scale from the left 'red' sector towards the 'green' sector, indicating the state of charge in your batteries. As the power is used up in your batteries, the needle will slowly towards the 'red' sector indicating the state of charge at that precise time. When the needle is fully over to the right, the batteries are fully charged. When the needle falls towards the red sector, your batteries are losing power, but you will still have power to spare. When the needle falls into the red sector, your batteries are low in power and need to be recharged. It is wise to recharge your batteries when the needle enters the red zone. However, charging should be take place after each use, for a minimum of 6hrs or overnight is recommended. (see Batteries and Battery Charging section of this manual).
2. **High/Low Speed Adjustment:** This allows you to pre-select your desired speed. The adjuster is proportional to speed and can be set anywhere between minimum and maximum. Turn the adjuster knob counter-clockwise to minimum for a very gentle operation, and clockwise towards maximum to increase your speed.
3. **Power ON/OFF Light:** The light will turn on if you insert the key. The light will turn off if you take out the key.
4. **Horn button:** Press this button to sound the horn.
(Easy operation for left hand or right hand)



A Controller ON/OFF Switch

Insert the key to power on the scooter (Remove the key to power off). Swing the finger lever control forward or backward to control the driving direction of the scooter (The finger lever control is located at both sides of the controller and the returning of the finger lever control to its neutral position, (center), will reduce the speed and stop the vehicle by automatically applying the electro-magnetic brakes



Finger Lever Control/Maximum Force Applied on Lever is 4N

B Speed Control

Turn the adjuster knob clockwise towards maximum to increase your speed, and counter-clockwise toward minimum to slow down your speed.

C Finger Lever Control

The finger lever control can also control the speed of your vehicle. The deeper you press on the finger lever (forward / backward), the faster the vehicle will go.

Notes:

- ⇒ After inserting the key into controller ON/OFF port, the light of power ON/OFF will turn on for a few seconds during self-checking process.
- ⇒ When the vehicle is in operation, the surface of the charger will become slightly warm.
- ⇒ In case of emergency, let go of the finger lever control and the vehicle will come to a stop.

CONTROL PANEL DISPLAY

1. The control panel display is a multifunction visual display. It can provide a lot of information of the vehicle.
When the needle falls into the red sector, your batteries are low on power and need to be recharged. It is wise to recharge your batteries when the needle enters the red zone. The remaining battery needle only goes lower when using the battery, regardless the battery voltage. The remaining battery meter needle goes higher only when recharging battery in progress.
2. System will power off when the battery voltage is lower than 21.0V.
3. System will be automatically power-off when the vehicle is not in use over 30 minutes. You need to remove the key and insert the key to restart the scooter.

1. The motors are designed to engage the electromagnetic brakes when the vehicle is not in use or when the power is OFF. They also have a manual feature that allows them to “free-wheel” so the scooter can be moved without turning it on. Free-wheeling is accomplished by adjusting the free-wheeling switch to the free-wheeling position.
2. Engaging in freewheel mode will have the function as parking brake.

WARNING

- ⇒ Never Free-wheel your power scooter on a slope.
- ⇒ Never free-wheel the motors while operating your vehicle.
- ⇒ Always remember to engage the motors before turning the power ON.
- ⇒ PLEASE TURN OFF THE POWER BEFORE FOLDING/UNFOLDING POWER SCOOTER



Free- Wheeling Lever/ Maximum required hand-arm force on the lever is 19 N for engaging and 35 N for disengaging

Electromagnetic Brakes:

Your power scooter comes with Electromagnetic Brakes., i.e. an automatic magnetic disc safety brake which is also known as Fail-Safe brake. The electro-magnetic Brakes are automatic and work when the power scooter is ON but in a steady state (i.e. Wigwag is released to the neutral position), even when the scooter is on a slope. The Electromagnetic Brakes will also be set whenever the power scooter is OFF, but the motor levers are in the engaged (vertical) position.

Parking brake:

There is an automatic parking brake function included in the electromagnetic brake. The scooter will stop when the motor is engaged and the power switch is off or when the power switch is on and the wigwag is in the neutral position. If the scooter is in the free wheel mode (motor is disengaged), you can use the manual parking brake function by moving the engaging/disengaging lever back into the engaged position by an attendant.

Thermal Protection:

Your power scooter controller is equipped with a safety system called thermal rollback. A built-in circuit monitors the temperature of the controller and motor. In case of excessive heat of the controller and motor, the controller will cut-off the power to allow the electrical components to cool down. Although your power scooter will resume its normal speed when the temperature returns to a safe level, we recommend to wait for 5 minutes before restarting to allow the components to cool down.

Items	Specifications
Pack Rated capacity	9.57 Ah
Pack minimum capacity	10.05Ah
Nominal voltage	25.2V
Max Charge Voltage	29.4V
Max Charge current	4.2A
Operation Temperature	+0°C~+45°C
	-20°C~+60°C
Storing Conditions	Less than 1 month :-20°C~+50°C
	Less than 3 month :-20°C~+40°C
Terminal equipment recommended discharging end voltage	22V
Discharging End Voltage	21V
Charging Voltage	Standard :290.05V
	Charger :29.4V
Cell Nominal Voltage	3.6V
Cell Rated Capacity	3.19 Ah
Cell Rated Watt-Hour	12 Wh
Cell Minimum Capacity	3.35 Ah
Cell Minimum Watt-Hour	12.06 Wh
Charge current	2.5A
Charge cut-off current	0.3A
Maximum discharging current	20A
Humidity	30%~80%

WARNING

DO NOT operate this scooter with depleted batteries since the occupant could be stranded.

Please remove the battery package from the scooter unit before long term storage.



Forbidden! Although the travel scooter has passed the required IPX4 water spray test requirements, keep electrical connections away from sources of moisture, including direct exposure to water or body fluids, and incontinence. Check the electrical components frequently for signs of corrosion and replace if necessary.

Warning! The charger should only be used in a dry interior. Protect from moisture and wetness.

However, even if the power scooter is not in use, we recommend that the batteries are charged periodically.

Note: Do not use any automotive batteries.

They are not designed to handle a long, deep discharge and also are unsafe for use in power scooter.

The useful life of a battery is quite often a reflection of the care it receives.








REMOVING YOUR BATTERY PACK

To remove the battery pack of your power scooter, first ensure the pack is unlocked by inserting the key into the pack and turning it 90° anti clockwise to the unlock position.

Then simply lift the pack up away from the base of the scooter and the seat using the handle provided.

Battery can be removed without any use of tool.



	<p>Prohibited! Removal of grounding prong can create electrical hazard. If necessary, properly install an approved 3-pronged adaptor to an electrical outlet having 2-pronged plug access</p>
	<p>Prohibited! Never use an extension cord to plug in your battery charger. Plug the charger directly into a properly wired standard electrical outlet.</p>
	<p>Prohibited! Do not allow unsupervised children to play near the travel scooter while the batteries are charging. We recommend that you do not charge the batteries while the travel scooter is occupied.</p>
	<p>Mandatory! Read the battery charging instructions in this manual and in the manual supplied with the battery charger before charging the batteries.</p>
	<p>Warning! Explosive gases may be generated while charging the batteries. Keep the travel scooter and battery charger away from sources of ignition such as flames or sparks and provide adequate ventilation when charging the batteries.</p>
	<p>Warning! Inspect the battery charger, wiring, and connectors for damage before each use. Contact your authorized provider if damage is found.</p>
	<p>Warning! Do not attempt to open the battery charger case/battery case. If the battery charger does not appear to be working correctly, contact your authorized provider. If the battery charger is equipped with cooling slots, then do not attempt to insert objects through these slots. Be aware that the battery charger case may become hot during charging. Avoid skin contact and do not place on surfaces that may be affected by heat.</p>
	<p>Warning! If your battery charger has not been tested and approved for outdoor use, then do not expose it to adverse or extreme weather conditions. If the battery charger is exposed to adverse or extreme weather conditions, then it must be allowed to adjust to the difference in environmental conditions before use indoors. Refer to the manual supplied with the battery charger for more information.</p>

Lead-Acid Battery

We recommend that you use deep-cycle batteries that are sealed and maintenance free for your power scooter. Both sealed lead-acid (SLA) and gel cell are deep-cycle batteries and are similar in performance. Deep-cycle batteries are specifically designed to provide power, drain down, and then accept a relatively quick recharge. Lead-acid batteries should be charged as often as possible.

Specification of Lead Acid Battery

Type: Size:	Deep –cycle sealed lead-acid or gel cell
Voltage:	12AH
Amp Hours:	12V each 12 amp hours

Depending on the use, terrain and driving conditions, the batteries will provide a range of 15 km of travel. However, even if the power scooter is not in use, we recommend that the batteries are charged periodically.

Note: Do not use any automotive batteries.

They are not designed to handle a long, deep discharge and also are unsafe for use in power scooter. The useful life of a battery is quite often a reflection of the care it receives.

IMPORTANT NOTICE: Do not dispose of batteries in fire.

Batteries should be recycled or disposed of as per state and local guidelines.

Lithium Battery (10.05A)

Nominal Voltage	25.2V
Nominal Capacity	10.05 Ah
Charging Current	3.5 A
Charging Time	3-4 Hours
Operating Environment	Charge 0 °C to +45 °C (+32 F to 113 F)
	Discharge -20 °C to + 60 °C (-4F to 140 F)
Temperature Storage	Less than 1 month -20°C to 50 °C Less than 3 month -20°C to 40 °C
Weight	Max 1.73 Kg

IMPORTANT NOTICE

In order to maximize the lifespan of lithium batteries, they need to be given a full charge before use and make sure they are fully charged and disconnected from the scooter prior to storage.

BATTERY CHARGER

The battery charger takes the standard wall outlet voltage (alternating current) and converts it into DC voltage (direct current). The batteries use direct current to run your power scooter. When the batteries are fully charged, the amperage from the charger is almost at zero.

This is how the charger maintains a charge but does not overcharge the battery.

Note 1: The batteries cannot be charged if they were discharged to nearly zero voltage.

Note 2: The power scooter meet the requirement of ISO 7176-14:2008 and ISO 7176-21:2003.

Note 3: Only use the battery charger type which was provided by the supplier. The use of any different type of charger can be hazardous and need the approval of the manufacturer.

CHARGING INSTRUCTIONS

To recharge the batteries, follow the steps below:

- Place your power scooter close to a standard electrical wall outlet.
 - Remove your key to turn the power OFF
 - Slide the charger port door open.
 - Plug the XLR connector of the charger to the charger port.
 - Plug the other end of power cord into a standard wall outlet.
 - When charging is completed, battery capacity indicator is shown.
 - Disconnect the charger power cord from the wall outlet when the batteries are fully charged. Recharge battery only when the key is in off position.
- When indicator is in low status, this confirms the battery needs recharging.



This is charger port

Note:

- Always charge your batteries in well ventilated areas.
- The charger is intended for indoor use only. Protect from moisture.
- For maximum performance, it is recommended that you replace both batteries at the same time if the batteries are weak.
- If the vehicle will not be used for a long period of time, arrange to have the batteries recharged at least once every month to avoid deterioration of the batteries.

According to the battery type and condition of the batteries, they usually can be fully charged in 4-10 hours.

This will be indicated when the status light in the battery charger side panel turns green. Charging the battery

longer than necessary will not harm the battery. We recommend that you charge the batteries for 8 to 10 hours after daily use.

Your power scooter is designed for minimal maintenance. However, like any motorized vehicle it requires routine maintenance. To keep your scooter for years of trouble-free operation, we recommend you follow the following maintenance checks as scheduled.

DAILY CHECKS

1. Visual check on the conditions of tires.
2. Inspect the battery condition meter on the controller to determine if batteries need to be charged.

MONTHLY CHECKS

1. Visually inspect the controller harnesses. Make sure that they are not frayed, cut or have any exposed wires.

SEMI-ANNUAL CHECKS

1. Check the motor brushes. We recommended that your authorized dealer inspect the brushes every six months or sooner if your power scooter is not operating smoothly. If inspection determines excessive wear on the brushes, they must be replaced or motor damage will result.

CHECKS:

Make sure to keep the controller clean while protecting it from rain or water. Never hose off your power scooter or place it in direct contact with water.

Keep wheels free from lint, hair, sand and carpet fibers.

Visually inspect the tire tread. If less than 1mm (1/32"), please have your tires replaced by your local dealer.

All Upholstery can be washed with warm water and mild soap. Occasionally check the seat and back for sagging, cuts and tears. Replace if necessary.

Do not store your scooter in damp or humid conditions as this will lead to mildew and rapid deterioration of the upholstery parts.

All moving mechanism will benefit from simple lubrication and inspection. Lubricate using petroleum jelly or light oil. Do not use too much oil, otherwise small drips could stain and damage carpets and furnishings etc.

Always perform a general inspection of the tightness of all nuts and bolts.

Cleaning and Disinfection

Use a damp cloth and mild, non-abrasive cleanser to clean the plastic and metal parts of your power scooter. Avoid using products that may scratch the surface of Your power scooter.

If necessary, clean your product with an approved disinfectant. Make sure the disinfectant is safe for use on your product before application. Follow all safety instructions for the proper use of the disinfectant and/or cleaning agent before applying it to your product. Failure to comply may result in skin irritation or premature deterioration of upholstery and/or power scooter finishes.

P&G S-Drive 45 Amp controller: Your scooter is fitted with S-Drive controller, which continuously monitors the operating conditions of your scooter. If it detects a problem it will indicate with error message by flashing light on the power ON/OFF light. You must count the number of the flash, and see the list to check what kind of error has happened according to the number)

Flash	Description
1	The battery needs charging or there is a bad connection to the battery. Check the connections to the battery. If the connections are good, try changing the battery
2	There is a bad connection to the motor. Check all the connections between the motor and the controller
3	The motor has a short circuit to a battery connection. Contact your service agent.
4.	The freewheel switch is activated or the manual brake disengagement mechanism is operated. Check the position of the switch of lever.
5	Not used
6	The S-Drive is being inhibited from driving. Inhibit 2 is active. This may be because the battery charger is connected or the seat is no in the driving position.
7	A throttle fault is indicated. Make sure that the throttle is in the rest position before switching on the scooter.
8.	A controller fault is indicated. Make sure that all connections are secured.
9.	The parking brakes have a bad connection. Check the parking brake and motor connections. Make sure the controller connections are secured.
10.	An excessive voltage has been applied to the controller. This is usually caused by a poor battery connection. Check the battery connections.

Note:

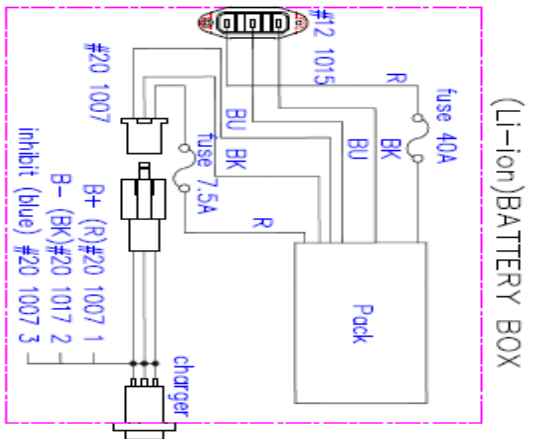
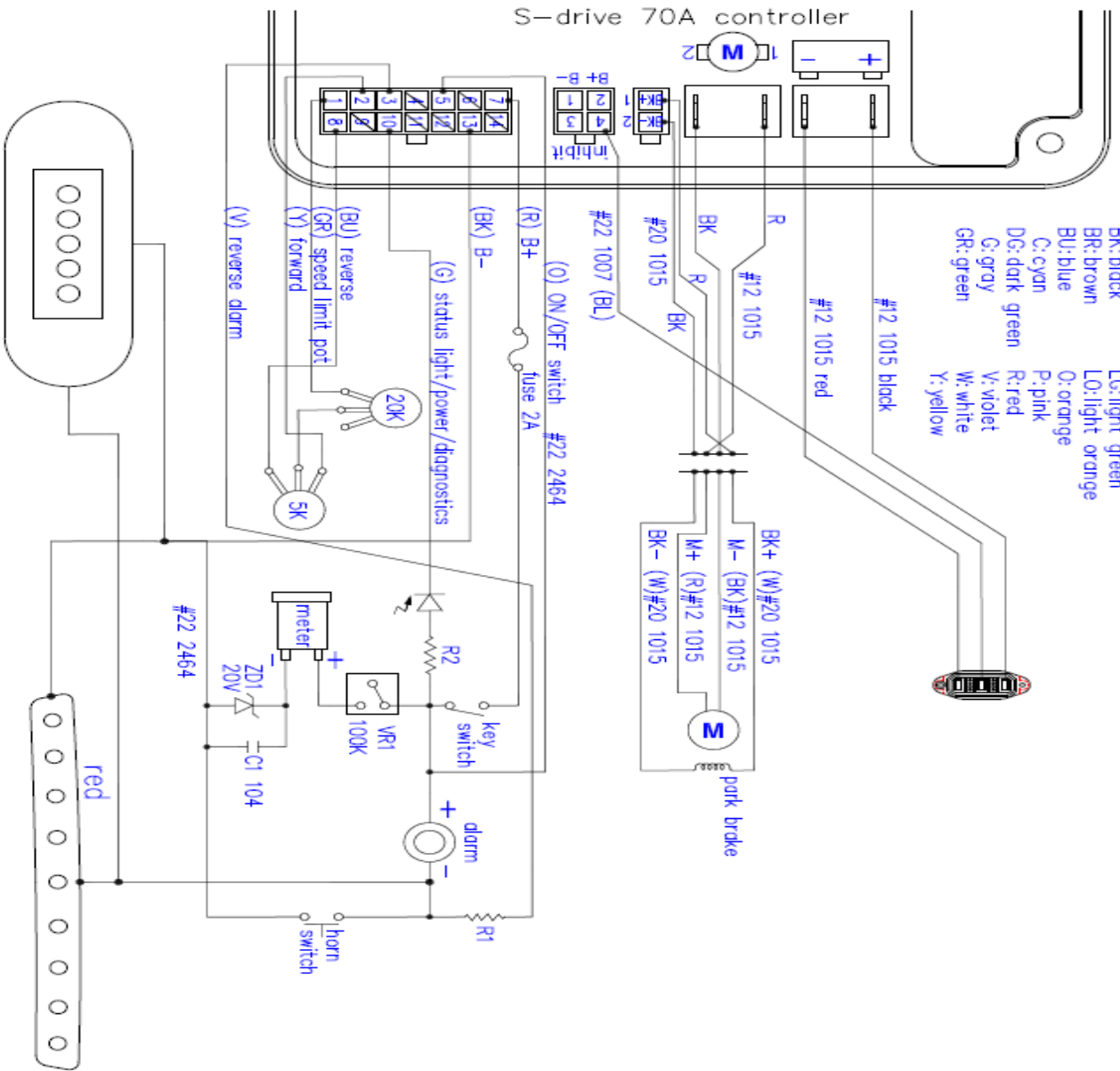
If you experience any technical problems, it is recommended that you check with your local dealer before attempting to troubleshoot on your own.

The following symptoms could indicate a serious problem with your power scooter. Contact your local dealer if any of the following arises:

1. Motor noise
2. Frayed harnesses
3. Cracked or broken connectors
4. Uneven wear on any of tires
5. Jerky motion
6. Pulling to one side
7. Bent or broken wheel assemblies
8. Does not power up
9. Powers up, but does not move

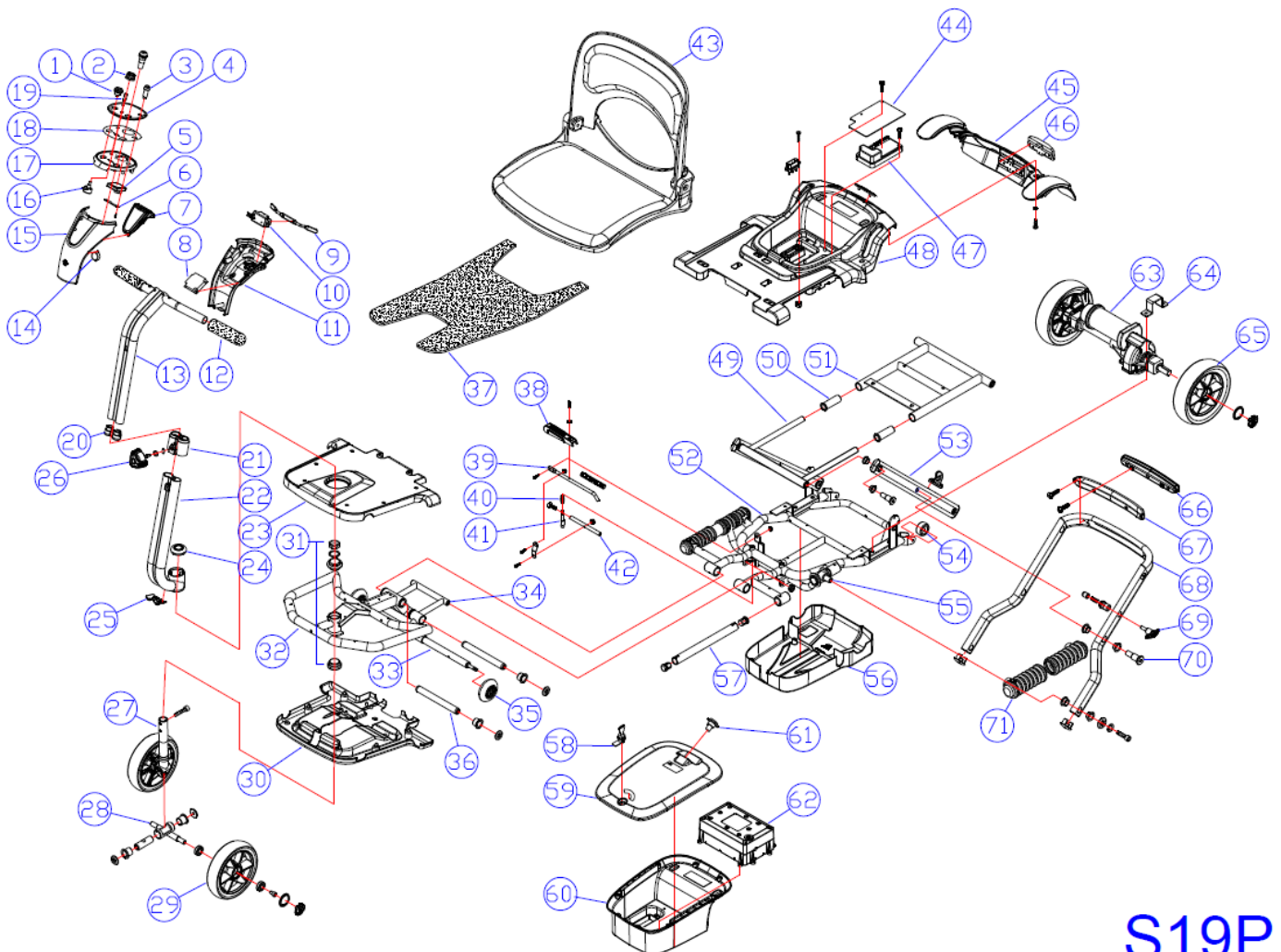
HW-05-02A

- COLOR:
- BK: black
 - BR: brown
 - BU: blue
 - C: cyan
 - DG: dark green
 - G: gray
 - GR: green
 - LG: light green
 - LO: light orange
 - O: orange
 - P: pink
 - R: red
 - V: violet
 - W: white
 - Y: yellow



比例	1:1.2	確認	
單位	mm	核定	
數量		製圖	李茂裝
材質		日期	2020/03/25

- | | | |
|------------------------------|---------------------------|-----------------------------|
| ① HEADLIGHT SWITCH WIRING | ②6 LOCKING KNOB | ⑤1 SEAT OUTER FRAME WELDING |
| ② SPEED ADJUSTING KNOB | ②7 WELDED STEERING STEM | ⑤2 MAIN FRAME |
| ③ HORN BUTTON WITH WIRING | ②8 FRONT SUSPENSION ASM | ⑤3 INNER CROSS BAR |
| ④ COVER | ②9 FRONT WHEEL | ⑤4 ANTI-TIPPING WHEEL |
| ⑤ POWER METER WIRING | ③0 BOTTOM COVER | ⑤5 BUTTOM TUBE WELDING |
| ⑥ POWER METER BASKET | ③1 STEERING STEM BEARING | ⑤6 PROTECT COVER |
| ⑦ HEADLIGHT | ③2 FRONT FRAME | ⑤7 SLIDER BAR |
| ⑧ PC BOARD | ③3 STEERING SHAFT WELDING | ⑤8 CAM LOCK |
| ⑨ ACCELERATOR | ③4 CONNECTED BAR ASM | ⑤9 BATTERY COVER |
| ⑩ WIGWAG | ③5 ASSISTIVE WHEEL | ⑥0 BATTERY BASE BOX |
| ⑪ REAR TILLER COVER | ③6 AXIS TUBE | ⑥1 CHARGING SOCKET CIRCUIT |
| ⑫ HANDLE GRIP | ③7 CARPET | ⑥2 LITHIUM BATTERY |
| ⑬ HANDLE BAR | ③8 PUSHING JACKET COVER | ⑥3 TRANSAXLE |
| ⑭ BUZZER | ③9 GUILLOTINE PULLING | ⑥4 BREAKET OF TRANSAXLE |
| ⑮ FRONT TILLER COVER | ④0 SPRING | ⑥5 REAR WHEEL |
| ⑯ SPEED POTENTIOMETER WIRING | ④1 LOCKING PIN | ⑥6 BACKLIGHT |
| ⑰ CONTROL PANEL | ④2 GUILLOTINE PULLING | ⑥7 BACKLIGHT COVER |
| ⑱ CONTROL STICKER | ④3 CHAIR | ⑥8 OUTER CROSS BAR |
| ⑲ STATUS PILOT WIRING | ④4 COVER | ⑥9 PULLING KNOB |
| ⑳ PLUG OF HANDLE BAR | ④5 REAR FENDER | ⑦0 SCREW |
| ㉑ PLUG OF STEM | ④6 REAR REFLECTER | ⑦1 RUBBER DUST COVER |
| ㉒ STEM | ④7 CONTROLLER | |
| ㉓ FRONT COVER | ④8 MAIN COVER | |
| ㉔ PLUG | ④9 FRONT SEAT FRAME | |
| ㉕ WIRE LEADING COVER | ⑤0 PLUG OF SEAT FRAME | |



Quality/ Warranty Declaration

Products are fit for purpose and of excellent quality and performance. For valid warranty claims Heartway will, at their discretion, replace/ repair/ refund items mutually agreed to be defective.

Heartway's Warranty as Following:

Frame: Two-year limited warranty

Controllers: One-and-a-half-year limited warranty

Electronic Components and Charger: One-year limited warranty

Warranty Exclusion. The following items are not covered by warranty.

Motor brushes

Wheel Tires

Arm Pads

Seat Cushion

Fuses / Bulbs

Tiller Cover

Rear Shroud

Front Shroud

Batteries and Consumable parts

Any damage or defect of any nature occurring from the misuse, abuse of the product, improper operation or improper storage is not to be covered. The warranty is to start from the date of arrival of our products. Normally, the average lifespan of a scooter will last 5-year long. Heartway will be able to provide the spare-part support for five-year long after scooters purchased.

Note: If you encounter a damaged or cracked battery; please enclose it in a plastic bag and call the local authorized dealers immediately for instructions on disposal and recycling. The warranty is to start from the date of arrival (maximum 60 days after dispatch from Heartway) of our products.

Product Safety Notice and Product Recalls

For detailed product safety notice and product recalls, please contact your local authorized distributor direct. The recall notice should include the following information: Product description, including the name, make, model and any distinguishing features, batch, or serial numbers.

Manufacturer :

Heartway Medical Products Co., Ltd.
No.18, Jingke Central 1st Rd., Nantun Dist. Taichung City
40852, Taiwan (R.O.C.)

EU Authorized Representative :

Emergo Europe
Prinsessegracht 20 2514 AP The Hague
The Netherlands

Distributor :**Pride Mobility Products, Corp.**

182 Susquehanna Ave
Exeter, PA 18643-2694
USA

Pride Mobility Products GmbH

Hövelrieger Str. 28
D-33161 Hövelhof
Germany
www.pridemobility.de

Pride Mobility Products Ltd

32 Wedgwood Road
Bicester, Oxfordshire
OX26 4UL
UK
www.pride-mobility.co.uk

Pride Mobility Products Spain SLU

Calle Minas, 67
28923 Alcorcón
Madrid
Spain
www.pridemobility.es

Pride Mobility Products France

26 rue Monseigneur Ancel
69 800 Saint-Priest
France
www.pridemobility.fr

Pride Mobility Products Europe BV

De Zwaan 3
1601 MS Enkhuizen,
The Netherlands
www.pridemobility.eu
www.pride-mobility.nl



Heartway Medical Products Co., LTD

No.18, Jingke Central 1st Rd., Nantun Dist., Taichung City 408, Taiwan (R.O.C.)

TEL:+886-4-2358-0537 FAX:+886-4-23590786

E-mail: sales@heartway.com.tw

<http://www.Heartway.com.tw>

