

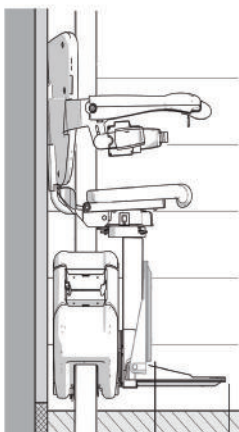
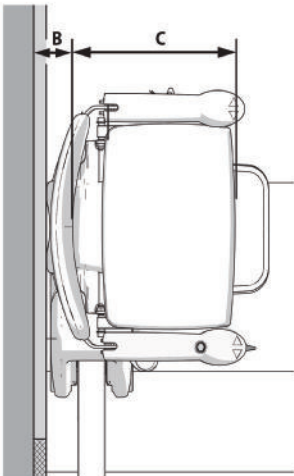
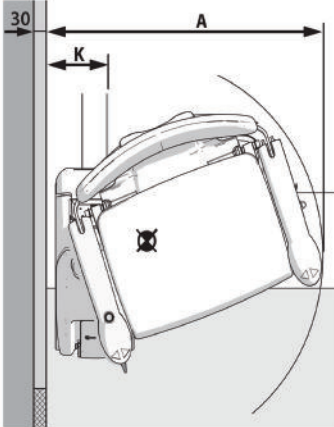


Handicare 1100

Straight Stairlifts

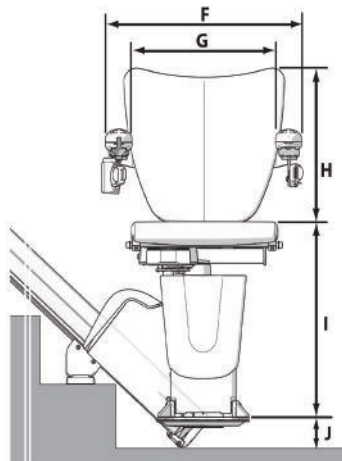
Handicare 1100

Straight Stairlifts



1100 Style Seat		Dimensions
A	Minimum swivel radius	25.39in
B	Wall to inner seat back	2.36in
C	Seat depth	15.35in
D	Minimum folded width to footplate	12.60in
E	Minimum open width to edge footplate	20.87in
F	Armrest width – external	22.64in
G	Armrest width – internal	17.72in
H	Seat back height	15.75in
I	Footplate to seat height	16.93 - 20.47in
J	Minimum footplate height	2.76in
K	Minimum track intrusion into staircase	6.30in
Maximum weight limit		30-45° - 309 lbs / 22st 46-50° - 287 lbs / 20st
Speed		0.15m/sec
Staircase angle		30-50°

Some of the above dimensions depend on the characteristics of the staircase in the home. Please consult the sales manual for further information about these dimensions and features of this seat. All information is provided in good faith but does not constitute a guarantee. Handicare reserves the right to alter designs and specifications without prior notice.



HANDICARE
10888 Metro Court
St. Louis, MO 63043
866.891.6502
handicareusa.com