



**Helio A6**  
 ORDER FORM - CANADA

**1- Purchasing information**

P.O. number:\* \_\_\_\_\_ Date: \_\_\_\_\_  
 Company Name:\* \_\_\_\_\_  
 Purchasing contact:\* \_\_\_\_\_  
 Phone:\* \_\_\_\_\_  
 Email:\* \_\_\_\_\_  
 Contact preference:\* Phone  Email   
 Marked for: \_\_\_\_\_

**3- Shipping information**

Ship to:\* \_\_\_\_\_  
 Name: \_\_\_\_\_  
 Address: \_\_\_\_\_  
 City: \_\_\_\_\_ Province: \_\_\_\_\_  
 Postal Code: \_\_\_\_\_  
 Phone: \_\_\_\_\_

**2- Dealer/Representative information**

Dealer/Representative:\* \_\_\_\_\_  
 Phone:\* \_\_\_\_\_  
 Email:\* \_\_\_\_\_  
 Contact preference:\* Phone  Email

\* Required MA080  English Manual (STD) MA081  French Manual Taxes not included

| MODEL                          |                          |   |   |   |   |   |      |           |         |
|--------------------------------|--------------------------|---|---|---|---|---|------|-----------|---------|
| WC19                           | <input type="checkbox"/> | Ultralight folding Helio A6 Wheelchair - 6000 series aluminum (265lb weight capacity) |   |   |   |   |      | WM0001489 | \$2,395 |
| WC09                           | <input type="checkbox"/> | HD Heavy duty kit (350 lb weight capacity)  |   |   |   |   |      |           | \$825   |
| <b>Frame</b>                   |                          |   |   |   |   |   |      |           |         |
| <b>SEAT WIDTH <sup>3</sup></b> |                          |   |   |   |   |   |      |           |         |
| SW                             | <input type="checkbox"/> | 14" <input type="checkbox"/>  | 15" <input type="checkbox"/>              | 16" <input type="checkbox"/>              | 17" <input type="checkbox"/>              | 18" <sup>1</sup> <input type="checkbox"/> |      | NC        |         |
|                                | <input type="checkbox"/> | 19" <sup>1</sup> <input type="checkbox"/>   | 20" <sup>1</sup> <input type="checkbox"/> | 21" <sup>2</sup> <input type="checkbox"/> | 22" <sup>2</sup> <input type="checkbox"/> |   | WAMA | \$315     |         |
| <b>SEAT DEPTH</b>              |                          |   |   |   |   |   |      |           |         |
| SD                             | <input type="checkbox"/> | 14" <input type="checkbox"/>  | 15" <input type="checkbox"/>              | 16" <input type="checkbox"/>              | 17" <input type="checkbox"/>              | 18" <input type="checkbox"/>              |      | NC        |         |
|                                | <input type="checkbox"/> | 19" <input type="checkbox"/>  | 20" <input type="checkbox"/>              |   |   |   | WAMB | \$235     |         |
| <b>TRANSIT TIE DOWN</b>        |                          |   |   |   |   |   |      |           |         |
| AC04                           | <input type="checkbox"/> | Transit Tie Down (Unoccupied)   |   |   |   |   |      |           | NC      |
| AC05-S                         | <input type="checkbox"/> | WC-19 Transit Tie Down w/Q'straint belt <sup>4</sup> Short belt 20"-41"               |   |   |   |   |      |           | \$365   |
| AC05-L                         | <input type="checkbox"/> | WC-19 Transit Tie Down w/Q'straint belt <sup>4</sup> Long belt 20"-46"                |   |   |   |   |      |           | \$365   |
| AC35                           | <input type="checkbox"/> | WC-19 Transit Tie Down without belt <sup>4</sup>                                      |   |   |   |   |      |           | \$335   |

1- Available with HD Kit (350 lb) 2- Only with HD Kit (350 lb) [3. Width calculator](#)  
 4- May interfere with swing away armrest and Clamp on height adjustable push handle; Not available with HD option

**A6 FRONT Seat-to-floor Height - Please select your choice**

| Forks / Position |    | 3" caster        |         |         | 4" caster        |         |         | 5" caster        |         |         | 6" caster        |         |         | 7" caster        |         |         | 8" caster        |         |         |
|------------------|----|------------------|---------|---------|------------------|---------|---------|------------------|---------|---------|------------------|---------|---------|------------------|---------|---------|------------------|---------|---------|
|                  |    | Stem bolt Length |         |         | Stem bolt Length |         |         | Stem bolt Length |         |         | Stem bolt Length |         |         | Stem bolt Length |         |         | Stem bolt Length |         |         |
|                  |    | STD              | +1"     | +2"     | STD              | +1"     | +2"     | STD              | +1"     | +2"     | STD              | +1"     | +2"     | STD              | +1"     | +2"     | STD              | +1"     | +2"     |
| 4"               | P1 | 12"              | 13"     | 14"     | 12 1/2"          | 13 1/2" | 14 1/2" |                  |         |         |                  |         |         |                  |         |         |                  |         |         |
|                  | P2 | 12 1/2"          | 13 1/2" | 14 1/2" | 13"              | 14"     | 15"     | 13 1/2"          | 14 1/2" | 15 1/2" |                  |         |         |                  |         |         |                  |         |         |
| 5"               | P1 |                  |         |         |                  |         |         |                  |         |         |                  |         |         |                  |         |         |                  |         |         |
|                  | P2 |                  |         |         | 13"              | 14"     | 15"     | 13 1/2"          | 14 1/2" | 15 1/2" |                  |         |         |                  |         |         |                  |         |         |
|                  | P3 | 13"              | 14"     | 15"     | 13 1/2"          | 14 1/2" | 15 1/2" | 14"              | 15"     | 16"     | 14 1/2"          | 15 1/2" | 16 1/2" |                  |         |         |                  |         |         |
|                  | P4 | 13 1/2"          | 14 1/2" | 15 1/2" | 14"              | 15"     | 16"     | 14 1/2"          | 15 1/2" | 16 1/2" | 15"              | 16"     | 17"     | 15 1/2"          | 16 1/2" | 17 1/2" |                  |         |         |
| 7"               | P1 |                  |         |         |                  |         |         |                  |         |         | 15 1/2"          | 16 1/2" | 17 1/2" | 16"              | 17"     | 18"     |                  |         |         |
|                  | P2 |                  |         |         |                  |         |         | 15 1/2"          | 16 1/2" | 17 1/2" | 16"              | 17"     | 18"     | 16 1/2"          | 17 1/2" | 18 1/2" |                  |         |         |
|                  | P3 |                  |         |         |                  |         |         | 16"              | 17"     | 18"     | 16 1/2"          | 17 1/2" | 18 1/2" | 17"              | 18"     | 19"     | 17 1/2"          | 18 1/2" | 19 1/2" |
|                  | P4 | 15 1/2"          | 16 1/2" | 17 1/2" | 16"              | 17"     | 18"     | 16 1/2"          | 17 1/2" | 18 1/2" | 17"              | 18"     | 19"     | 17 1/2"          | 18 1/2" | 19 1/2" | 18"              | 19"     | 20"     |
|                  | P5 | 16"              | 17"     | 18"     | 16 1/2"          | 17 1/2" | 18 1/2" | 17"              | 18"     | 19"     | 17 1/2"          | 18 1/2" | 19 1/2" | 18"              | 19"     | 20"     | 18 1/2"          | 19 1/2" | 20 1/2" |

Height available +/- 1/4" (see stem bolt and fork combination at the end of the order form)

| CASTERS        |                          |   |                   |             |       |
|----------------|--------------------------|---|-------------------|-------------|-------|
| CA01-03        | <input type="checkbox"/> | Composite wheel w/ PU tire  | 3" x 1"           | NC          |       |
| CA01-04        | <input type="checkbox"/> |   | 4" x 1"           | NC          |       |
| CA01-05        | <input type="checkbox"/> |   | 5" x 1"           | NC          |       |
| CA01-06        | <input type="checkbox"/> |   | 6" x 1"           | NC          |       |
| CA01-07        | <input type="checkbox"/> |   | 7" x 1"           | NC          |       |
| CA01-08        | <input type="checkbox"/> |   | 8" x 1"           | NC          |       |
| CA10           | <input type="checkbox"/> |   | Pneumatic casters | 6" x 1 1/4" | \$170 |
| CA11           | <input type="checkbox"/> |   |                   | 8" x 1 1/4" | \$170 |
| CA14           | <input type="checkbox"/> | Newton UltraCaster Composite  | 4" x 1 1/2"       | \$100       |       |
| CA15           | <input type="checkbox"/> |   | 5" x 1 1/2"       | \$100       |       |
| CA16           | <input type="checkbox"/> |   | 6" x 1 1/2"       | \$100       |       |
| CA17           | <input type="checkbox"/> | Newton UltraCaster Aluminum   | 4" x 1 1/2"       | \$185       |       |
| CA18           | <input type="checkbox"/> |   | 5" x 1 1/2"       | \$195       |       |
| CA19           | <input type="checkbox"/> |   | 6" x 1 1/2"       | \$205       |       |
| CASTER OPTIONS |                          |   |                   |             |       |
| CA12           | <input type="checkbox"/> | Caster Pin Locks (Available with +1" or +2" Stem bolt ONLY) <sup>1</sup>      |                   | WAMS \$275  |       |
| CA13           | <input type="checkbox"/> | Carbon fiber Frog Legs suspension forks (Not available with caster pin locks) |                   | \$510       |       |

1- Not available with WC-19

### Helio A6 - REAR Seat-to-floor Height - Please select your choice

| 20" (451) | 22" (501) | 24" (540) | 25" (559) | 26" (590) |
|-----------|-----------|-----------|-----------|-----------|
| 12"       | 13"       | 13 3/4"   | 14 1/4"   | 14 3/4"   |
| 12 1/2"   | 13 1/2"   | 14 1/4"   | 14 3/4"   | 15 1/4"   |
| 13"       | 14"       | 14 3/4"   | 15 1/4"   | 15 3/4"   |
| 13 1/2"   | 14 1/2"   | 15 1/4"   | 15 3/4"   | 16 1/4"   |
| 14"       | 15"       | 15 3/4"   | 16 1/4"   | 16 3/4"   |
| 14 1/2"   | 15 1/2"   | 16 1/4"   | 16 3/4"   | 17 1/4"   |
| 15"       | 16"       | 16 3/4"   | 17 1/4"   | 17 3/4"   |
| 15 1/2"   | 16 1/2"   | 17 1/4"   | 17 3/4"   | 18 1/4"   |
| 16"       | 17"       | 17 3/4"   | 18 1/4"   | 18 3/4"   |
| 16 1/2"   | 17 1/2"   | 18 1/4"   | 18 3/4"   | 19 1/4"   |
| 17"       | 18"       | 18 3/4"   | 19 1/4"   | 19 3/4"   |
| 17 1/2"   | 18 1/2"   | 19 1/4"   | 19 3/4"   | 20 1/4"   |

Configuration used: 1" seat slope with a center of gravity at 2"

Note: Tire size, center of gravity setting and seat slope may result in a variation of +/- 1/2" of selected seat to floor height"

| Footrest                    |                          |  |              |                    |
|-----------------------------|--------------------------|--|--------------|--------------------|
| SWING-IN/SWING-OUT FOOTREST |                          |  |              |                    |
| FR03-01                     | <input type="checkbox"/> | 60° Swing-in/swing-out footrest - 13.5" - 17"  |              | Set at: * NC       |
| FR03-02                     | <input type="checkbox"/> | 60° Swing-in/swing-out footrest - 14.5" - 19.5"  |              | Set at: * NC       |
| FR03-03                     | <input type="checkbox"/> | 60° Swing-in/swing-out footrest - 15.5" - 20.5"  |              | Set at: * NC       |
| FR04-01                     | <input type="checkbox"/> | 70° Swing-in/swing-out footrest - 13.5" - 17"  |              | Set at: * NC       |
| FR04-02                     | <input type="checkbox"/> | 70° Swing-in/swing-out footrest - 14.5" - 19.5"  |              | Set at: * NC       |
| FR04-03                     | <input type="checkbox"/> | 70° Swing-in/swing-out footrest - 15.5" - 20.5"  |              | Set at: * NC       |
| FR15-01                     | <input type="checkbox"/> | 80° Swing-in/swing-out footrest - 13.5" - 16"  |              | Set at: * NC       |
| FR15-02                     | <input type="checkbox"/> | 80° Swing-in/swing-out footrest - 14.5" - 19.5"  |              | Set at: * NC       |
| FR15-03                     | <input type="checkbox"/> | 80° Swing-in/swing-out footrest - 15.5" - 20.5"  |              | Set at: * NC       |
| FR06                        | <input type="checkbox"/> | 90° swing-in/swing-out with front mount - Standard (no extension) <sup>1</sup>   | 7.5" - 11"   | Set at: * NC       |
| FR07                        | <input type="checkbox"/> | 90° swing-in/swing-out with front mount - Short extension 2" <sup>1, 2</sup>   | 9.5" - 13"   | Set at: * NC       |
| FR08                        | <input type="checkbox"/> | 90° swing-in/swing-out with front mount - Medium extension 4" <sup>1, 2</sup>  | 9.5" - 14.5" | Set at: * NC       |
| FOOTREST OPTIONS            |                          |  |              |                    |
| FR09                        | <input type="checkbox"/> | High mount (footplate attached to the hanger with clamps) <sup>3</sup>   | 5" - 13.5"   | Set at: * \$100    |
| FR10                        | <input type="checkbox"/> | Elevating legrest with calf pad, Length adjustable <sup>4</sup> Left <input type="checkbox"/> Right <input type="checkbox"/> | 14" - 22"    | Set at: WAMK \$295 |
| FR99                        | <input type="checkbox"/> | Omit Footrest  |              | NC                 |

1- Available only with two piece adjustable footplates; 2- May interfere with front casters; 3- Not available with front mount; \* +/- 1/2"

4- The elevating legrest replace the footrest side selected; Not available with one piece footplate

| FOOTPLATES  |                          |  |   |                                |   |                               |
|---|--------------------------|--|---|--------------------------------|---|-------------------------------|
| FP01  | <input type="checkbox"/> | Standard - Composite <sup>1</sup>                                    |   |                                |   | STD                           |
| FP02  | <input type="checkbox"/> | Newton adjustable angle - Composite                                  |   |                                | WAMJ                                    | \$155                         |
| FP03  | <input type="checkbox"/> | Newton adjustable angle - Aluminum                                   |   |                                | WAMJ                                    | \$175                         |
| FP06  | <input type="checkbox"/> | One piece adjustable angle flip-up - Aluminum                        |   | WAMJ                           | SEFND0015                               | \$215                         |
| FOOTPLATE ACCESSORIES   |                          |  |   |                                |   |                               |
| FP08  | <input type="checkbox"/> | Length adjustable heel loop (not available with one piece footplate) |   |                                |   | NC                            |
| FP09  | <input type="checkbox"/> | Calf strap   |   |                                | SEFND0010                               | \$57                          |
| FP30  | <input type="checkbox"/> | Bodypoint Aeromesh Padded calf strap                                 |   |                                | SEFND0010                               | \$140                         |
| <i>1- Not available with front mount</i>  |                          |  |   |                                |   |                               |
| SWING AWAY RESIDUAL LIMB SUPPORT  |                          |  |   |                                |   |                               |
| FR27  | <input type="checkbox"/> | Residual limb support - flat 6"x8"                                   | Left <input type="checkbox"/>             | Right <input type="checkbox"/> |   | SEFND0005 \$505               |
| FR28  | <input type="checkbox"/> | Residual limb support - flat 8"x10"                                  | Left <input type="checkbox"/>             | Right <input type="checkbox"/> |   | SEFND0005 \$505               |
| FR29  | <input type="checkbox"/> | Residual limb support - flat 10"x10"                                 | Left <input type="checkbox"/>             | Right <input type="checkbox"/> |   | SEFND0005 \$505               |
| FR30  | <input type="checkbox"/> | Residual limb support - flat 10"x14"                                 | Left <input type="checkbox"/>             | Right <input type="checkbox"/> |   | SEFND0005 \$505               |
| FR32  | <input type="checkbox"/> | Residual limb support - contour 6"x8"                                | Left <input type="checkbox"/>             | Right <input type="checkbox"/> |   | SEFND0005 \$505               |
| FR33  | <input type="checkbox"/> | Residual limb support - contour 8"x10"                               | Left <input type="checkbox"/>             | Right <input type="checkbox"/> |   | SEFND0005 \$505               |
| Backrest  |                          |  |   |                                |   |                               |
| FIXED ANGLE BACK CANES WITH INTEGRATED PUSH HANDLE (Not available with push handles options)  |                          |  |   |                                |   |                               |
| BC58-915  | <input type="checkbox"/> | Straight aluminum back cane  | 9" - 15"                                  | increment of 1/2"              | Set at <sup>2</sup> :                   | NC                            |
| BC58-1521   | <input type="checkbox"/> | Straight aluminum back cane  | 15" - 21"                                 | increment of 1/2"              | Set at <sup>2</sup> :                   | NC                            |
| BC60  | <input type="checkbox"/> | Straight aluminum back cane  | 21" - 24"                                 | increment of 1"                | Set at <sup>2</sup> :                   | \$100                         |
| BC01-16   | <input type="checkbox"/> | 8° bend aluminum back cane   | 16"                                       |                                |   | NC                            |
| BC01-18   | <input type="checkbox"/> | 8° bend aluminum back cane   | 18"                                       |                                |   | NC                            |
| BC01-20   | <input type="checkbox"/> | 8° bend aluminum back cane   | 20"                                       |                                |   | NC                            |
| BC59  | <input type="checkbox"/> | 8° bend aluminum back cane   | 21" - 24"                                 | increment of 1"                | Set at <sup>2</sup> :                   | \$100                         |
| FIXED ANGLE, HEIGHT ADJUSTABLE BACK CANES WITH PUSH HANDLE OPTIONS (MUST select ONE push handle options)  |                          |  |   |                                |   |                               |
| BC11-912  | <input type="checkbox"/> | Straight aluminum back cane  | 9" - 12"                                  | increment of 1/2"              | Set at <sup>2</sup> :                   | \$80                          |
| BC11-1215   | <input type="checkbox"/> | Straight aluminum back cane  | 12" - 15"                                 | increment of 1/2"              | Set at <sup>2</sup> :                   | \$80                          |
| BC11-1518   | <input type="checkbox"/> | Straight aluminum back cane  | 15" - 18"                                 | increment of 1/2"              | Set at <sup>2</sup> :                   | \$80                          |
| BC11-1821   | <input type="checkbox"/> | Straight aluminum back cane  | 18" - 21"                                 | increment of 1/2"              | Set at <sup>2</sup> :                   | \$80                          |
| BC12-1315   | <input type="checkbox"/> | 8° bend aluminum back cane   | 13.5" - 15"                               | increment of 1/2"              | Set at <sup>2</sup> :                   | \$80                          |
| BC12-1518   | <input type="checkbox"/> | 8° bend aluminum back cane   | 15" - 18"                                 | increment of 1/2"              | Set at <sup>2</sup> :                   | \$80                          |
| BC12-1821   | <input type="checkbox"/> | 8° bend aluminum back cane   | 18" - 21"                                 | increment of 1/2"              | Set at <sup>2</sup> :                   | \$80                          |
| ANGLE AND HEIGHT ADJUSTABLE BACK CANE WITH PUSH HANDLE OPTIONS (MUST select ONE push handle options)  |                          |  |   |                                |   |                               |
| BC13-1518   | <input type="checkbox"/> | Straight aluminum back cane  | 15" - 18"                                 | increment of 1/2"              | Set at <sup>2</sup> :                   | \$275                         |
| BC13-1821   | <input type="checkbox"/> | Straight aluminum back cane  | 18" - 21"                                 | increment of 1/2"              | Set at <sup>2</sup> :                   | \$275                         |
| BC14-1518   | <input type="checkbox"/> | 8° bend aluminum back cane   | 15" - 18"                                 | increment of 1/2"              | Set at <sup>2</sup> :                   | \$330                         |
| BC14-1821   | <input type="checkbox"/> | 8° bend aluminum back cane   | 18" - 21"                                 | increment of 1/2"              | Set at <sup>2</sup> :                   | \$330                         |
|   |                          | Select back cane angle:  | 85° <sup>1</sup> <input type="checkbox"/> | 90° <input type="checkbox"/>   | 95° <b>STD</b> <input type="checkbox"/> | 100° <input type="checkbox"/> |
|   |                          |  |   |                                | 105° <input type="checkbox"/>           | 110° <input type="checkbox"/> |
| PUSH HANDLES OPTIONS (ONE option at a time)   |                          |  |   |                                |   |                               |
| PH01  | <input type="checkbox"/> | Push handles   |   |                                |   | STD                           |
| PH05  | <input type="checkbox"/> | Fold down push handles <sup>3, 5</sup>                               |   |                                |   | \$160                         |
| PH06-920  | <input type="checkbox"/> | Clamp on height adjustable push handles 9"-20" <sup>3, 4, 5</sup>    |   |                                |   | \$345                         |
| PH06-923  | <input type="checkbox"/> | Clamp on height adjustable push handles 9"-23" <sup>3, 4, 5</sup>    |   |                                |   | \$345                         |
| PH02  | <input type="checkbox"/> | Omit push handles  |   |                                |   | NC                            |
| STROLLER HANDLE AND STABILIZER BAR (only available with push handle)  |                          |  |   |                                |   |                               |
| PH04  | <input type="checkbox"/> | Stroller handle (not available with the HD option)                   |   |                                | WAMW                                    | \$220                         |
| PH03  | <input type="checkbox"/> | Newton folding stabilizer bar (not available with stroller handle)   |   |                                |   | \$275                         |
| <i>1- Not compatible with 8 degree bent back cane; 2- If not indicated, default height setting is at the lowest position; measured from seat sling to top of back upholstery; 3- 265lb weight limit</i> |                          |  |   |                                |   |                               |
| <i>4- Not compatible with swing away armrests, 8° bend back canes, 21-24" back canes and amputee axle plates; 5- Not compatible with stroller handler, stabilizer bar, headrest and attendant lock;</i> |                          |  |   |                                |   |                               |
| BACK UPHOLSTERY   |                          |  |   |                                |   |                               |
| BH05  | <input type="checkbox"/> | Slip-on Nylon back upholstery  |   |                                |   | NC                            |
| BH06  | <input type="checkbox"/> | Adjustable tension Nylon back upholstery                             |   |                                | WAMD/WAME                               | \$260                         |
| BH99  | <input type="checkbox"/> | Omit Back upholstery   |   |                                |   | STD                           |
|   | <input type="checkbox"/> | NXT back Support   |   |                                | See pricelist                           |                               |
| SEAT CUSHION  |                          |  |   |                                |   |                               |
| SC01  | <input type="checkbox"/> | 2" Cushion   |   |                                |   | \$185                         |
| SC02  | <input type="checkbox"/> | 3" Cushion   |   |                                |   | \$205                         |
| SC99  | <input type="checkbox"/> | Omit seat cushion  |   |                                |   | STD                           |
|   | <input type="checkbox"/> | NXT cushion  |   |                                | See price list                          |                               |

| Rear wheels   |                          |   |   |  |  |   |   |  |   |   |         |
|---|--------------------------|---|---|--|--|---|---|--|---|---|---------|
| <b>ONE ARM DRIVE<sup>1</sup></b> <i>Only available with Newton One rear wheels with Aluminum, Plastic coated Handrims, permanent axles, 0° camber</i> |                          |   |   |  |  |   |   |  |   |   |         |
| HR22  | <input type="checkbox"/> | One arm drive - aluminum inner handrim <sup>2,3</sup>             | 24"                                       | Left <input type="checkbox"/>              | Right <input type="checkbox"/>             |   | WAML \$1,480                              |  |   |   |         |
| HR60  | <input type="checkbox"/> | One arm drive - plastic coated inner handrim <sup>2,3</sup>       | 24"                                       | Left <input type="checkbox"/>              | Right <input type="checkbox"/>             |   | WAML \$1,480                              |  |   |   |         |
| HR98  | <input type="checkbox"/> | Omit handrim on opposite side of the One Arm Drive (OAD)          |   |  |  |   | NC  |  |   |   |         |
| <b>REAR WHEELS</b>  |                          |   |   |  |  | Available                                 |   |  |   |   |         |
| RW01  | <input type="checkbox"/> | Mag <sup>4</sup>  |   |  |  | 20", 22" 24"                              | \$140                                     |  |   |   |         |
| RW02  | <input type="checkbox"/> | Newton One - spoke wheel <sup>5</sup>                             |   |  |  | 20", 22" 24"                              | NC  |  |   |   |         |
| RW03  | <input type="checkbox"/> | Newton Gravity - ultralight wheel                                 |   |  |  | 20", 22", 24", 25", 26"                   | \$380                                     |  |   |   |         |
| RW04  | <input type="checkbox"/> | Spinergy Spox <b>Blk STD</b> <input type="checkbox"/>             | Wht <sup>6</sup> <input type="checkbox"/> | Blue <sup>6</sup> <input type="checkbox"/> | Red <sup>6</sup> <input type="checkbox"/>  | Yel <sup>6</sup> <input type="checkbox"/> | \$850                                     |  |   |   |         |
| RW05  | <input type="checkbox"/> | Spinergy LX <b>Blk STD</b> <input type="checkbox"/>               | Pur <sup>6</sup> <input type="checkbox"/> | Wht <sup>6</sup> <input type="checkbox"/>  | Blue <sup>6</sup> <input type="checkbox"/> | Red <sup>6</sup> <input type="checkbox"/> | Yel <sup>6</sup> <input type="checkbox"/> | Pink <sup>6</sup> <input type="checkbox"/> | Grn <sup>6</sup> <input type="checkbox"/> | Org <sup>6</sup> <input type="checkbox"/> | \$1,055 |
| RW07  | <input type="checkbox"/> | Spinergy CLX <sup>7</sup> <b>Blk STD</b> <input type="checkbox"/> | Pur <sup>6</sup> <input type="checkbox"/> | Wht <sup>6</sup> <input type="checkbox"/>  | Blue <sup>6</sup> <input type="checkbox"/> | Red <sup>6</sup> <input type="checkbox"/> | Yel <sup>6</sup> <input type="checkbox"/> | Pink <sup>6</sup> <input type="checkbox"/> | Grn <sup>6</sup> <input type="checkbox"/> | Org <sup>6</sup> <input type="checkbox"/> | \$1,635 |
| <b>TIRES</b>  |                          |   |   |  |  | Available                                 |   |  |   |   |         |
| TI01  | <input type="checkbox"/> | Soft Urethane - 1 3/8"  |   |  |  | 20", 22" 24"                              | STD                                       |  |   |   |         |
| TI02  | <input type="checkbox"/> | Soft Urethane - knobby 1 3/8 "                                    |   |  |  | 22", 24", 25", 26"                        | \$120                                     |  |   |   |         |
| TI04  | <input type="checkbox"/> | Soft Urethane - Shox 1"   |   |  |  | 22", 24", 25", 26"                        | \$140                                     |  |   |   |         |
| TI05  | <input type="checkbox"/> | Pneumatic - 1 3/8"  |   |  |  | 20", 22", 24", 25", 26"                   | NC  |  |   |   |         |
| TI08  | <input type="checkbox"/> | Pneumatic with Airless insert - 1 3/8" <sup>8</sup>               |   |  |  | 22", 24", 26"                             | \$225                                     |  |   |   |         |
| TI06  | <input type="checkbox"/> | Pneumatic HP - 1"   |   |  |  | 20", 22", 24", 25", 26"                   | \$120                                     |  |   |   |         |
| TI07  | <input type="checkbox"/> | Pneumatic HP - Puncture resistant, black 1"                       |   |  |  | 24", 25", 26"                             | \$200                                     |  |   |   |         |

1- Offered with handrims on each side of the wheelchair; select the outer handrim in the handrims section; 2- Only standard handrim position available; 3- Not available with HD option

4- Not compatible with HP tires ; Only available with aluminum or plastic coated handrim, standard position; 5- Not compatible with Shox tires; 6- Colour spokes require an additional 10 days lead-time

7- Only available with 1" tires; 8- Only available with Mag, Newton One and Newton Gravity rear wheels

| Handrims       |                          |  |  |  |  |                         |            |
|----------------|--------------------------|--|--|--|--|-------------------------|------------|
| <b>HANDRIM</b> |                          |  |  |  |  | Available               |            |
| HR01           | <input type="checkbox"/> | Aluminum anodized  |  |  |  | 20", 22", 24", 25", 26" | STD        |
| HR61           | <input type="checkbox"/> | Aluminum black hard anodized <sup>2</sup>  |  |  |  | 20", 22", 24", 25"      | \$80       |
| HR02           | <input type="checkbox"/> | Plastic coated <sup>1</sup>  |  |  |  | 20", 22", 24", 25", 26" | WAMO \$170 |
| HR03           | <input type="checkbox"/> | High friction coated <sup>1,2</sup>  |  |  |  | 22", 24", 25", 26"      | WAMO \$460 |
| HR07 to HR18   | <input type="checkbox"/> | Newton Air Grip <sup>2</sup> <i>See page 6 for the color selection and price</i> |  |  |  | 20", 22", 24", 25", 26" | WAMO       |
| HR28           | <input type="checkbox"/> | Surge <sup>1,2</sup> (1 1/2" Oval handrim w/ Gripton high friction strip)        |  |  |  | 22", 24", 25", 26"      | \$485      |
| HR05           | <input type="checkbox"/> | Surge LT <sup>1,2</sup> (1 1/8" Oval handrim w/ Gripton high friction strip)     |  |  |  | 22", 24", 25", 26"      | \$515      |
| HR04           | <input type="checkbox"/> | Natural Fit <sup>1,2</sup>   |  |  |  | 22", 24", 25", 26"      | \$320      |
| HR63           | <input type="checkbox"/> | Nova H <sup>1,2</sup> (1 1/4" Oval handrim with high friction strip)             |  |  |  | 22", 24", 25", 26"      | \$515      |
| HR64           | <input type="checkbox"/> | Optimum H <sup>1,2</sup> (1 1/8" heart-shaped handrim)                           |  |  |  | 22", 24", 25", 26"      | \$320      |
| HR99           | <input type="checkbox"/> | Omit handrim   |  |  |  |                         | NC         |

1- Only standard and narrow handrim position. By default, the tab won't be cut with the narrow position; 2- Not available with Mag wheels

| Handrims option  |                          |   |  |   |  |  |       |
|--|--------------------------|---|--|---|--|--|-------|
| <b>ASSEMBLY POSITION</b>   |                          |   |  |   |  |  |       |
| HR29   | <input type="checkbox"/> | Standard Handrim position                     | Full tab   |   |  |  | STD   |
| HR030  | <input type="checkbox"/> | Narrow Handrim position no cut                | Full tab   |   |  |  | NC    |
| HR30   | <input type="checkbox"/> | Narrow Handrim position with cut <sup>3</sup> | Short tab 2 positions                              |   |  |  | \$27  |
| HR31   | <input type="checkbox"/> | Super Narrow Handrim <sup>3</sup>             | Short tab 2 positions STD <input type="checkbox"/> | Short tab 1 position <input type="checkbox"/> |  |  | \$27  |
| <b>THUMB PIECE SELECTION FOR NATURAL FIT, SURGE, SURGE LT HANDRIMS</b> |                          |   |  |   |  |  |       |
| HR23   | <input type="checkbox"/> | Standard grip                                 |  |   |  |  | \$200 |
| HR27   | <input type="checkbox"/> | Super grip                                    |  |   |  |  | \$230 |
| HR099  | <input type="checkbox"/> | Omit thumb piece                              |  |   |  |  | NC    |

3- Only available with Aluminum and Air Grip handrims;

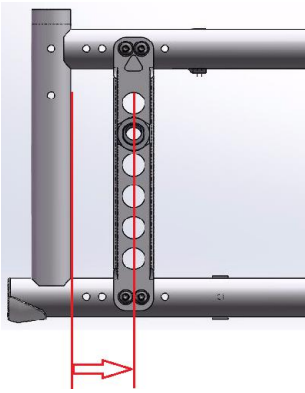
| AXLE              |                          |  |  |  |  |      |       |
|-------------------|--------------------------|--|--|--|--|------|-------|
| AX01              | <input type="checkbox"/> | Quick release axle <sup>1</sup>            |  |  |  | WAMU | STD   |
| AX02              | <input type="checkbox"/> | Permanent axle                             |  |  |  |      | NC    |
| AX03              | <input type="checkbox"/> | Quad release axle <sup>1</sup>             |  |  |  | WAMU | \$180 |
| <b>AXLE PLATE</b> |                          |  |  |  |  |      |       |
| AX04              | <input type="checkbox"/> | Amputee adjustable axle plate <sup>2</sup> |  |  |  | WAMT | \$270 |

1- Not required with one arm drive

2- May interfere with swing away armrest and limit seat to floor height

| REAR WHEEL CAMBER |                          |           |     |
|-------------------|--------------------------|-----------|-----|
| CM00              | <input type="checkbox"/> | 0° camber | STD |
| CM03              | <input type="checkbox"/> | 3° camber | NC  |

### CENTER OF GRAVITY



#### Choose position of rear wheel axle plate:

Measure distance from front of back post to center of axle receiver.

Default setting is at 1 1/4"

| Most stable              |                          |                          |                          |                          |                          | Most responsive |
|--------------------------|--------------------------|--------------------------|--------------------------|--------------------------|--------------------------|-----------------|
| AMPUTEE <sup>1</sup>     | 3/4"                     | 1" 1/4"                  | 1" 3/4"                  | 2" 1/4"                  | 2" 3/4"                  |                 |
| <input type="checkbox"/> | <input type="checkbox"/> | <input type="checkbox"/> | <input type="checkbox"/> | <input type="checkbox"/> | <input type="checkbox"/> |                 |

Motion Composites will select the closest possible center of gravity (COG) if an issue arises with the COG

1- Only available with amputee axle plate

| WHEEL LOCK |                          |  |            |
|------------|--------------------------|--|------------|
| WL08       | <input type="checkbox"/> | Newton Wheel lock - push to lock   | STD        |
| WL16       |                          | Aluminum push to lock with extension   | \$73       |
| WL02       | <input type="checkbox"/> | Pull to lock   | NC         |
| WL04       | <input type="checkbox"/> | Newton grade aid push to lock (suggested with pneumatic or high pressure tire)                                 | WAMR \$185 |
| WL13       | <input type="checkbox"/> | 6" removable extension handle  | \$73       |
| WL14       |                          |  |            |
| WL05       | <input type="checkbox"/> | Scissors Lock  | \$185      |
| WL06       | <input type="checkbox"/> | Attendant Lock (additional set of wheel lock mounted to the back)  | \$240      |
| WL15       | <input type="checkbox"/> | Unilateral wheel lock - pull to lock <sup>1</sup> Left <input type="checkbox"/> Right <input type="checkbox"/> | WAMN \$335 |
| WL99       | <input type="checkbox"/> | Omit wheel locks   | NC         |

1- For more information about incompatibilities and restriction, refer to the table at page 7 and the "How-to documents" page of our website:  
[https://www.motioncomposites.com/en\\_ca/support-and-education/how-to-documents](https://www.motioncomposites.com/en_ca/support-and-education/how-to-documents)

### Armrests

| HEIGHT ADJUSTABLE FLIP BACK ARMREST (Convertible to "T" armrest) <sup>1,4</sup> |                          |  |       |
|---|--------------------------|--|-------|
| AR01-812  | <input type="checkbox"/> | 10" Desk length armpad    8" - 12"      Locked <input type="checkbox"/> Unlocked STD <input type="checkbox"/>  | \$395 |
| AR01-1014   | <input type="checkbox"/> | 10" Desk length armpad    10" - 14"      Locked <input type="checkbox"/> Unlocked STD <input type="checkbox"/> | \$395 |
| AR02-812  | <input type="checkbox"/> | 14" Full length armpad    8" - 12"      Locked <input type="checkbox"/> Unlocked STD <input type="checkbox"/>  | \$395 |
| AR02-1014   | <input type="checkbox"/> | 14" Full length armpad    10" - 14"      Locked <input type="checkbox"/> Unlocked STD <input type="checkbox"/> | \$395 |

| HEIGHT ADJUSTABLE "T" ARMREST <sup>1</sup> |                          |   |       |
|--|--------------------------|---|-------|
| AR13-610                                   | <input type="checkbox"/> | 10" Desk length armpad <sup>5</sup> 6" - 10"      Locked <input type="checkbox"/> Unlocked STD <input type="checkbox"/> | \$380 |
| AR13-812                                   | <input type="checkbox"/> | 10" Desk length armpad    8" - 12"      Locked <input type="checkbox"/> Unlocked STD <input type="checkbox"/>           | \$380 |
| AR13-1014                                  | <input type="checkbox"/> | 10" Desk length armpad    10" - 14"      Locked <input type="checkbox"/> Unlocked STD <input type="checkbox"/>          | \$380 |
| AR14-610                                   | <input type="checkbox"/> | 14" Full length armpad <sup>5</sup> 6" - 10"      Locked <input type="checkbox"/> Unlocked STD <input type="checkbox"/> | \$380 |
| AR14-812                                   | <input type="checkbox"/> | 14" Full length armpad    8" - 12"      Locked <input type="checkbox"/> Unlocked STD <input type="checkbox"/>           | \$380 |
| AR14-1014                                  | <input type="checkbox"/> | 14" Full length armpad    10" - 14"      Locked <input type="checkbox"/> Unlocked STD <input type="checkbox"/>          | \$380 |

| SWING AWAY ARMREST <sup>2</sup> |                          |  |       |
|---------------------------------|--------------------------|--|-------|
| AR05                            | <input type="checkbox"/> | Tubular armrest - Short pad    8" - 11"      Locked <input type="checkbox"/> Unlocked STD <input type="checkbox"/> | \$315 |
| AR23                            | <input type="checkbox"/> | Tubular armrest - long pad    8" - 11"      Locked <input type="checkbox"/> Unlocked STD <input type="checkbox"/>  | \$315 |
| AR06                            | <input type="checkbox"/> | 10" Desk length flat armpad    8" - 11"      Locked <input type="checkbox"/> Unlocked STD <input type="checkbox"/> | \$315 |
| AR17                            | <input type="checkbox"/> | 14" Full length flat armpad    8" - 11"      Locked <input type="checkbox"/> Unlocked STD <input type="checkbox"/> | \$315 |

| ARMREST OPTIONS |                          |  |                 |
|-----------------|--------------------------|--|-----------------|
| AR12            | <input type="checkbox"/> | 14" Full Length armpad - Gel Ovation (pair) <sup>3</sup> | SEAND0030 \$160 |
| AR99            | <input type="checkbox"/> | Omit armrest   | NC              |

1- May have 1/2" adjustment restriction on both limits of the range; 2- Could interfere with some rigid backrests; Not available with attendant lock; 3- Not available with swing away armrest  
4- Not available with attendant lock; 5- May have some restriction with seat-to-floor height and rear wheel

| SIDE GUARDS (not available with Flip Back and "T" Armrest) |                          |  |            |
|--|--------------------------|--|------------|
| SG01   | <input type="checkbox"/> | Plastic side guards (removable)                                      | WAMV \$235 |
| SG02   | <input type="checkbox"/> | Carbon fiber side guards (fixed)                                     | WAMV \$275 |
| SG03   | <input type="checkbox"/> | Carbon fiber side guards (removable)                                 | WAMV \$315 |
| SG06   | <input type="checkbox"/> | Plastic fender side guards - straight bracket (removable)            | WAMV \$340 |
| SG08   | <input type="checkbox"/> | Plastic fender side guards - offset bracket (removable) <sup>1</sup> | WAMV \$340 |
| SG04   | <input type="checkbox"/> | Carbon fiber fender side guards (removable)                          | WAMV \$510 |
| SG99   | <input type="checkbox"/> | Omit side guard  | NC         |

| SIDE GUARDS OPTION |                          |                                      |    |
|--------------------|--------------------------|--------------------------------------|----|
| SG07               | <input type="checkbox"/> | Side guards clip (pair) <sup>2</sup> | NC |

1- only compatible with 0° camber; Increase distance between fender side guards by 1 1/8"; 2- Not available with fixed carbon fiber side guard

| POSITIONING BELT |                          |   |                 |
|------------------|--------------------------|---|-----------------|
| SB01-S           | <input type="checkbox"/> | Velcro adjustable - <b>Standard 35"</b>   | \$50            |
| SB01-L           | <input type="checkbox"/> | Velcro adjustable - <b>Long 60"</b>   | \$50            |
| SB02-S           | <input type="checkbox"/> | Auto buckle - <b>Standard 35"</b>   | \$60            |
| SB02-L           | <input type="checkbox"/> | Auto buckle - <b>Long 60"</b>   | \$60            |
| SB04-M           | <input type="checkbox"/> | BodyPoint Hip Belt - 2 point not padded - <b>Medium 56"</b>                         | \$90            |
| SB04-L           | <input type="checkbox"/> | BodyPoint Hip Belt - 2 point not padded - <b>Long 61"</b>                           | \$90            |
| SB05-S           | <input type="checkbox"/> | BodyPoint Hip Belt - 2 point padded - <b>Small 51"</b>                              | SERND0030 \$180 |
| SB05-M           | <input type="checkbox"/> | BodyPoint Hip Belt - 2 point padded - <b>Medium 56"</b>                             | SERND0030 \$180 |
| SB05-L           | <input type="checkbox"/> | BodyPoint Hip Belt - 2 point padded - <b>Long 61"</b>                               | SERND0030 \$180 |
| SB06-S           | <input type="checkbox"/> | BodyPoint Hip Belt - 4 point padded - <b>Small 51"</b>                              | SERND0020 \$205 |
| SB06-M           | <input type="checkbox"/> | BodyPoint Hip Belt - 4 point padded - <b>Medium 56"</b>                             | SERND0020 \$205 |
| SB06-L           | <input type="checkbox"/> | BodyPoint Hip Belt - 4 point padded - <b>Long 61"</b>                               | SERND0020 \$205 |
| SB03             | <input type="checkbox"/> | Hardware attachment for 2 extra points (1 pair)                                     | \$15            |
| SB08-M           | <input type="checkbox"/> | BodyPoint EVOFLEX® Positioning Belt Rehab latch and Band Clamps - <b>Medium 18"</b> | \$345           |
| SB08-L           | <input type="checkbox"/> | BodyPoint EVOFLEX® Positioning Belt Rehab latch and Band Clamps - <b>Long 24"</b>   | \$345           |
| SB99             | <input type="checkbox"/> | Omit positioning belt   | STD             |

| HEADREST |                          |   |       |
|----------|--------------------------|---|-------|
| AC01-S   | <input type="checkbox"/> | Profiled Headrest - <b>Small (3.5"X6")</b>  | \$215 |
| AC01-M   | <input type="checkbox"/> | Profiled Headrest - <b>Medium (4.5"X7")</b>                                       | \$215 |
| AC01-L   | <input type="checkbox"/> | Profiled Headrest - <b>Large (5.5"X8")</b>  | \$215 |
| AC28     | <input type="checkbox"/> | Headrest mounting hardware with removable non folding stabilizer bar <sup>1</sup> | \$360 |

1- Only available with push handles - Not available with a stroller handle or a folding stabilizer bar

| ACCESSORIES |                          |   |       |
|-------------|--------------------------|---|-------|
| AC03        | <input type="checkbox"/> | Anti-tippers  | \$120 |
| AC29        | <input type="checkbox"/> | Swing-away anti-tipper <sup>1</sup> Left <input type="checkbox"/> Right <input type="checkbox"/>  | \$180 |
| AC27        | <input type="checkbox"/> | Tip assist <sup>2</sup>   | \$65  |
| AC06        | <input type="checkbox"/> | Cane and crutch holder      Left <input type="checkbox"/> Right <input type="checkbox"/>  | \$115 |
| AC07        | <input type="checkbox"/> | Oxygen tank holder <sup>4</sup> - D and E Type - <i>Installed to the left</i>   | \$395 |
| AC08        | <input type="checkbox"/> | Spoke guards <sup>3</sup> Available: 20", 22", 24", 26"   | \$155 |
| AC09        | <input type="checkbox"/> | Footrest neoprene impact guard (pair) - Black   | \$85  |
| AC10        | <input type="checkbox"/> | Seat pouch  | \$100 |
| AC30        | <input type="checkbox"/> | Newton multi-purpose pouch  | \$75  |
| AC26        | <input type="checkbox"/> | BodyPoint Mobility Bag  | \$145 |
| AC23        | <input type="checkbox"/> | Newton Backpack   | \$130 |
| AC12        | <input type="checkbox"/> | Velcro Closing Strap  | \$55  |
| AC13        | <input type="checkbox"/> | Tool kit  | \$55  |
| AC16        | <input type="checkbox"/> | Motion Composites Polo Shirt      W/S <input type="checkbox"/> W/M <input type="checkbox"/> W/L <input type="checkbox"/><br>M/S <input type="checkbox"/> M/M <input type="checkbox"/> M/L <input type="checkbox"/> M/XL <input type="checkbox"/> M/XXL <input type="checkbox"/> M/XXXL <input type="checkbox"/> | \$36  |

1- Must select the pair (left and right) with HD option; Only available with rear seat to floor height between 13 1/2" and 19 3/4"; 2- Cannot be combined with Anti Tippers

3- Not available with Mag wheels and Spinergy; 4- Not compatible with swing away armrest, amputee axle plate and WC-19 transit tie-down

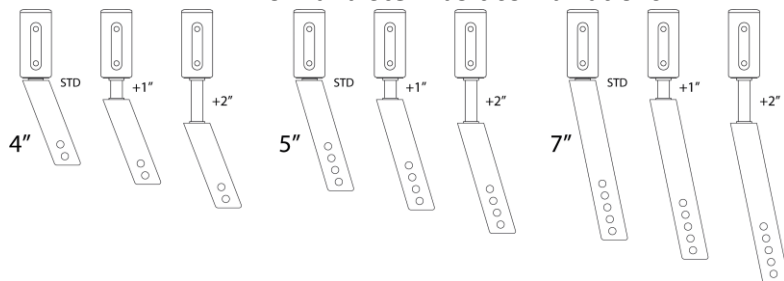
| Colors               |                                |   |                          |                          |                          |                          |                          |                          |                          |                          |                          |                          |                          |                          |                          |                          |                                     |                          |                          |       |
|----------------------|--------------------------------|---|--------------------------|--------------------------|--------------------------|--------------------------|--------------------------|--------------------------|--------------------------|--------------------------|--------------------------|--------------------------|--------------------------|--------------------------|--------------------------|--------------------------|-------------------------------------|--------------------------|--------------------------|-------|
| Options <sup>1</sup> | Black                          | Sunkissed Orange  | Burgundy                 | Sapphire Blue            | Monster Green            | Charcoal                 | Fuchsia                  | Steel Blue               | Ferrari Red              | Acid Green               | Electric Purple          | Caribbean Blue           | White                    | Pink Pearl               | Plum Purple              | Sky Blue                 | Black Cherry                        | Khaki Green (matte)      | Desert Sand (matte)      |       |
| AirGrip              | <input type="checkbox"/> \$160 | <input type="checkbox"/>                                | <input type="checkbox"/> | <input type="checkbox"/> | <input type="checkbox"/> | <input type="checkbox"/> | <input type="checkbox"/> | <input type="checkbox"/> | <input type="checkbox"/> | <input type="checkbox"/> | <input type="checkbox"/> | <input type="checkbox"/> | <input type="checkbox"/> | <input type="checkbox"/> | <input type="checkbox"/> | <input type="checkbox"/> | <input type="checkbox"/>            | <input type="checkbox"/> | <input type="checkbox"/> | \$350 |
| Frame <sup>2</sup>   |                                | <input type="checkbox"/>                                | <input type="checkbox"/> | <input type="checkbox"/> | <input type="checkbox"/> | <input type="checkbox"/> | <input type="checkbox"/> | <input type="checkbox"/> | <input type="checkbox"/> | <input type="checkbox"/> | <input type="checkbox"/> | <input type="checkbox"/> | <input type="checkbox"/> | <input type="checkbox"/> | <input type="checkbox"/> | <input type="checkbox"/> | <input type="checkbox"/>            | <input type="checkbox"/> | <input type="checkbox"/> | NC    |
| FC99                 | <input type="checkbox"/>       | Custom Color <a href="#">Specify PPG Paintit color:</a> |                          |                          |                          |                          |                          |                          |                          |                          |                          |                          |                          |                          |                          |                          | <i>additional 10 days lead-time</i> | \$422                    |                          |       |

1- Color representation may vary from one monitor to another. Therefore, the actual paint color on your wheelchair might differ slightly from what you see on your screen.;

Finish between Airgrip and frame might be different;

2- with black hydroformed aluminum crossbrace

### Fork and Stem bolt combinations




### Unilateral wheel lock restrictions

| Seat depth: shall be 16 in and greater                                |                 |                              |
|---|-----------------|------------------------------|
| Rear wheel: shall be 24 in and less                                   |                 |                              |
| "T" or flip-back armrest only compatible with 0° Camber               |                 |                              |
| One arm drive: Not compatible with "T" or flip-back armrest           |                 |                              |
| "T" or flip-back armrest may require to move the rear wheels outwards |                 |                              |
| Not compatible with wheel lock lever extension                        |                 |                              |
| Rear wheel diameter   | Seat depth (in) | COG Compatibility Range (in) |
| 20 in   | 16+             | 1.25 to 2.75                 |
|   | 16              | 0.75 to 2.25                 |
| 22 in   | 17+             | 0.75 to 2.75                 |
|   | 16              | 0.75 to 1.75                 |
| 24 in   | 17              | 0.75 to 2.25                 |
|   | 18+             | 0.75 to 2.75                 |

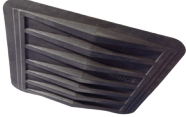
Note :

# FOLDING ON CHAIR - CDN ORDER FORM

| BioFit™ CUSHION   | WIDTH                          |                                |                                |                                |                                |                                |                                |                                |                                |                                |                                |                                |  |
|---|--------------------------------|--------------------------------|--------------------------------|--------------------------------|--------------------------------|--------------------------------|--------------------------------|--------------------------------|--------------------------------|--------------------------------|--------------------------------|--------------------------------|--|
|   | 12"                            | 13"                            | 14"                            | 15"                            | 16"                            | 17"                            | 18"                            | 19"                            | 20"                            | 21"                            | 22"                            |                                |  |
| <br>NXCABF _____<br>(W" x D") | <input type="checkbox"/> \$625 | <input type="checkbox"/> \$625 | <input type="checkbox"/> \$625 |                                |                                |                                |                                |                                |                                |                                |                                |                                |  |
|   | <input type="checkbox"/> \$625 | <input type="checkbox"/> \$625 | <input type="checkbox"/> \$625 |                                |                                |                                |                                |                                |                                |                                |                                |                                |  |
|   |                                | <input type="checkbox"/> \$625 | <input type="checkbox"/> \$625 | <input type="checkbox"/> \$625 | <input type="checkbox"/> \$625 | <input type="checkbox"/> \$625 |                                |                                |                                |                                |                                |                                |  |
|   |                                | <input type="checkbox"/> \$625 | <input type="checkbox"/> \$625 | <input type="checkbox"/> \$625 | <input type="checkbox"/> \$625 | <input type="checkbox"/> \$625 | <input type="checkbox"/> \$625 | <input type="checkbox"/> \$625 | <input type="checkbox"/> \$655 | <input type="checkbox"/> \$655 | <input type="checkbox"/> \$655 | <input type="checkbox"/> \$655 |  |
|   |                                |                                |                                | <input type="checkbox"/> \$625 | <input type="checkbox"/> \$625 | <input type="checkbox"/> \$625 | <input type="checkbox"/> \$625 | <input type="checkbox"/> \$655 | <input type="checkbox"/> \$655 |                                |                                |                                |  |
|   |                                |                                |                                | <input type="checkbox"/> \$625 | <input type="checkbox"/> \$625 | <input type="checkbox"/> \$625 | <input type="checkbox"/> \$625 | <input type="checkbox"/> \$655 | <input type="checkbox"/> \$655 | <input type="checkbox"/> \$655 | <input type="checkbox"/> \$655 |                                |  |
|   |                                |                                |                                | <input type="checkbox"/> \$625 | <input type="checkbox"/> \$625 | <input type="checkbox"/> \$625 | <input type="checkbox"/> \$625 | <input type="checkbox"/> \$655 | <input type="checkbox"/> \$655 | <input type="checkbox"/> \$655 | <input type="checkbox"/> \$655 |                                |  |
|   |                                |                                |                                | <input type="checkbox"/> \$625 | <input type="checkbox"/> \$625 | <input type="checkbox"/> \$625 | <input type="checkbox"/> \$625 | <input type="checkbox"/> \$655 | <input type="checkbox"/> \$655 | <input type="checkbox"/> \$655 | <input type="checkbox"/> \$655 | <input type="checkbox"/> \$655 |  |

Option: Change cover for incontinent / infection control outer cover  N/C

## SEATING AND CUSHION ACCESSORIES

|   | Model #   | Description       | Fits Back Width   | \$ | QTY |
|---|-----------|-------------------|---|----|-----|
|  | RSSI 1600 | Solid Seat Insert | Fits cushions 16" & 17" wide (40.6 & 43.2 cm) and 14"-18" deep (35.6-45.7 cm) | 80 |     |
|   | RSSI 1800 | Solid Seat Insert | Fits cushions 18" & 19" wide (45.7 & 48.3 cm) and 14"-18" deep (35.6-45.7 cm) | 80 |     |
|   | RSSI 2000 | Solid Seat Insert | Fits cushions 20"-22" wide (50.8-55.9 cm) and 18"-20" deep (45.7-50.8 cm)     | 80 |     |


## Optima™ THORACIC BACK SUPPORT

| <br>THORACIC SHAPE | Optima™   | Fits Width | Height | ✓                        | \$    |
|--|-----------|------------|--------|--------------------------|-------|
|  | NOACB1613 | 16"-18"    | 13"    | <input type="checkbox"/> | \$725 |
|  | NOACB1616 | 16"-18"    | 16"    | <input type="checkbox"/> | \$725 |
|  | NOACB1619 | 16"-18"    | 19"    | <input type="checkbox"/> | \$725 |
|  | NOACB1813 | 18"-20"    | 13"    | <input type="checkbox"/> | \$725 |
|  | NOACB1816 | 18"-20"    | 16"    | <input type="checkbox"/> | \$725 |
|  | NOACB1819 | 18"-20"    | 19"    | <input type="checkbox"/> | \$725 |
|  | NOACB2016 | 20"-22"    | 16"    | <input type="checkbox"/> | \$725 |
|  | NOACB2019 | 20"-22"    | 19"    | <input type="checkbox"/> | \$725 |
|  | NOACB2213 | 22"--24"   | 13"    | <input type="checkbox"/> | \$755 |
|  | NOACB2216 | 22"--24"   | 16"    | <input type="checkbox"/> | \$755 |
|  | NOACB2219 | 22"--24"   | 19"    | <input type="checkbox"/> | \$755 |

## Optima™ DEEP THORACIC BACK SUPPORT

|  | Optima™ DEEP | Fits Width | Height | ✓                        | \$    |
|--|--------------|------------|--------|--------------------------|-------|
|  | NOPCB1616    | 16"-18"    | 16"    | <input type="checkbox"/> | \$825 |
|  | NOPCB1619    | 16"-18"    | 19"    | <input type="checkbox"/> | \$825 |
|  | NOPCB1816    | 18"-20"    | 16"    | <input type="checkbox"/> | \$825 |
|  | NOPCB1819    | 18"-20"    | 19"    | <input type="checkbox"/> | \$825 |
|  | NOPCB2016    | 20"-22"    | 16"    | <input type="checkbox"/> | \$825 |
|  | NOPCB2019    | 20"-22"    | 19"    | <input type="checkbox"/> | \$825 |
|  | NOPCB2213    | 22"-24"    | 13"    | <input type="checkbox"/> | \$860 |
|  | NOPCB2216    | 22"-24"    | 16"    | <input type="checkbox"/> | \$860 |
|  | NOPCB2219    | 22"-24"    | 19"    | <input type="checkbox"/> | \$860 |

## Optima™ CARBON THORACIC BACK SUPPORT

| <br>THORACIC SHAPE | Optima™ Carbon | Fits Width | Height                   | ✓                        | \$     |
|---|----------------|------------|--------------------------|--------------------------|--------|
|   | NOCFACB1413    | 14"-16"    | 13"                      | <input type="checkbox"/> | \$1150 |
|   | NOCFACB1416    | 14"-16"    | 16"                      | <input type="checkbox"/> | \$1150 |
|   | NOCFACB1513    | 15"-17"    | 13"                      | <input type="checkbox"/> | \$1150 |
|   | NOCFACB1516    | 15"-17"    | 16"                      | <input type="checkbox"/> | \$1150 |
|   | NOCFACB1613    | 16"-18"    | 13"                      | <input type="checkbox"/> | \$1150 |
|   | NOCFACB1616    | 16"-18"    | 16"                      | <input type="checkbox"/> | \$1150 |
|   | NOCFACB1713    | 17"-19"    | 13"                      | <input type="checkbox"/> | \$1150 |
|   | NOCFACB1716    | 17"-19"    | 16"                      | <input type="checkbox"/> | \$1150 |
|   | NOCFACB1813    | 18"-20"    | 13"                      | <input type="checkbox"/> | \$1150 |
|   | NOCFACB1816    | 18"-20"    | 16"                      | <input type="checkbox"/> | \$1150 |
|   | NOCFACB2013    | 20"-22"    | 13"                      | <input type="checkbox"/> | \$1150 |
| NOCFACB2016   | 20"-22"        | 16"        | <input type="checkbox"/> | \$1150                   |        |

## Optima™ CARBON DEEP THORACIC BACK SUPPORT

|  | Optima™ Carbon DEEP | Fits Width | Height | ✓                        | \$     |
|--|---------------------|------------|--------|--------------------------|--------|
|  | NOCFPCB1413         | 14"-16"    | 13"    | <input type="checkbox"/> | \$1250 |
|  | NOCFPCB1416         | 14"-16"    | 16"    | <input type="checkbox"/> | \$1250 |
|  | NOCFPCB1513         | 15"-17"    | 13"    | <input type="checkbox"/> | \$1250 |
|  | NOCFPCB1516         | 15"-17"    | 16"    | <input type="checkbox"/> | \$1250 |
|  | NOCFPCB1613         | 16"-18"    | 13"    | <input type="checkbox"/> | \$1250 |
|  | NOCFPCB1616         | 16"-18"    | 16"    | <input type="checkbox"/> | \$1250 |
|  | NOCFPCB1713         | 17"-19"    | 13"    | <input type="checkbox"/> | \$1250 |
|  | NOCFPCB1716         | 17"-19"    | 16"    | <input type="checkbox"/> | \$1250 |
|  | NOCFPCB1813         | 18"-20"    | 13"    | <input type="checkbox"/> | \$1250 |
|  | NOCFPCB1816         | 18"-20"    | 16"    | <input type="checkbox"/> | \$1250 |
|  | NOCFPCB2013         | 20"-22"    | 13"    | <input type="checkbox"/> | \$1250 |
|  | NOCFPCB2016         | 20"-22"    | 16"    | <input type="checkbox"/> | \$1250 |

ALL PRICES QUOTED IN CDN. PRICES ARE SUBJECT TO CHANGE WITHOUT NOTICE.

For additional NXT models, sizes and hardware not shown, please refer to the complete NXT Seating Order Form at [www.motioncomposites.com](http://www.motioncomposites.com)



**FOLDING ON CHAIR - CDN ORDER FORM**

**Xtend™ LOW HEIGHT ADJUSTABLE THORACIC BACK SUPPORT**

**Xtend™ DEEP HEIGHT ADJUSTABLE THORACIC BACK SUPPORT**

| <b>THORACIC SHAPE</b> |  | Xtend™              | Fits Width | Height  | ✓                        | \$    |
|-----------------------|--|---------------------|------------|---------|--------------------------|-------|
|                       |  | **NHAACB (L)1213/17 | 12"-14"    | 13"-17" | <input type="checkbox"/> | \$725 |
|                       |  | NHAACB (L)1413/17   | 14"-16"    | 13"-17" | <input type="checkbox"/> | \$725 |
|                       |  | NHAACB (L)1613/17   | 16"-18"    | 13"-17" | <input type="checkbox"/> | \$725 |
|                       |  | NHAACB (L)1813/17   | 18"-20"    | 13"-17" | <input type="checkbox"/> | \$755 |
|                       |  | NHAACB (L)2013/17   | 20"-22"    | 13"-17" | <input type="checkbox"/> | \$755 |
|                       |  | NHAACB (L)2213/17   | 22"-24"    | 13"-17" | <input type="checkbox"/> | \$755 |

|  | Xtend™ DEEP   | Fits Width | Height  | ✓                        | \$    |
|--|---------------|------------|---------|--------------------------|-------|
|  | NHAPCB1616/20 | 16"-18"    | 16"-20" | <input type="checkbox"/> | \$725 |
|  | NHAPCB1816/20 | 18"-20"    | 16"-20" | <input type="checkbox"/> | \$725 |
|  | NHAPCB2016/20 | 20"-22"    | 16"-20" | <input type="checkbox"/> | \$725 |
|  | NHAPCB2216/20 | 22"-24"    | 16"-20" | <input type="checkbox"/> | \$755 |
|  |               |            |         |                          |       |

**Classic™ PELVIC BACK SUPPORT**

**Classic™ DEEP PELVIC BACK SUPPORT**

| <b>PELVIC SHAPE</b> |  | Classic™ | Fits Width | Height | ✓                        | \$    |
|---------------------|--|----------|------------|--------|--------------------------|-------|
|                     |  | NACB1616 | 16"-18"    | 16"    | <input type="checkbox"/> | \$720 |
|                     |  | NACB1618 | 16"-18"    | 18"    | <input type="checkbox"/> | \$720 |
|                     |  | NACB1816 | 18"-20"    | 16"    | <input type="checkbox"/> | \$720 |
|                     |  | NACB1818 | 18"-20"    | 18"    | <input type="checkbox"/> | \$720 |
|                     |  | NACB1820 | 18"-20"    | 20"    | <input type="checkbox"/> | \$720 |
|                     |  | NACB2020 | 20"-22"    | 20"    | <input type="checkbox"/> | \$720 |
|                     |  | NACB2216 | 22"-24"    | 16"    | <input type="checkbox"/> | \$755 |
|                     |  | NACB2218 | 22"-24"    | 18"    | <input type="checkbox"/> | \$755 |
|                     |  | NACB2220 | 22"-24"    | 20"    | <input type="checkbox"/> | \$755 |

|  | Classic DEEP™ | Fits Width | Height | ✓                        | \$    |
|--|---------------|------------|--------|--------------------------|-------|
|  | NPCB1616      | 16"-18"    | 16"    | <input type="checkbox"/> | \$825 |
|  | NPCB1618      | 16"-18"    | 18"    | <input type="checkbox"/> | \$825 |
|  | NPCB1818      | 18"-20"    | 18"    | <input type="checkbox"/> | \$825 |
|  | NPCB1820      | 18"-20"    | 20"    | <input type="checkbox"/> | \$825 |
|  | NPCB2020      | 20"-22"    | 20"    | <input type="checkbox"/> | \$825 |
|  | NPCB2216      | 22"-24"    | 16"    | <input type="checkbox"/> | \$860 |
|  | NPCB2218      | 22"-24"    | 18"    | <input type="checkbox"/> | \$860 |
|  | NPCB2220      | 22"-24"    | 20"    | <input type="checkbox"/> | \$860 |
|  |               |            |        |                          |       |

**BACK SUPPORT ACCESSORIES - PRIVACY FLAP**

|  | Model #  | Description   | Fits Back Width            | \$ | QTY |
|--|----------|---|----------------------------|----|-----|
|  | NIB-1938 | Extra Small Privacy Flap for 11" - 13" wide back supports | 11" - 13" (27.9 - 33.0)    | 70 |     |
|  | NIB-1078 | Small Privacy Flap for 14"-16" wide back supports         | 14" - 16" (35.6-40.6 cm)   | 70 |     |
|  | NIB-1079 | Medium Flap for 17"-19" wide back supports                | 17" - 19" (43.2-48.3 cm)   | 70 |     |
|  | NIB-1080 | Large Privacy Flap for 20"-22" wide back supports         | 20" - 22" (50.8-55.9 cm)   | 70 |     |
|  | NIB-1081 | Extra Large Privacy Flap for 23" - 26" wide back supports | 23" - 26" (58.4 - 66.0 cm) | 70 |     |

**MultiFit™ HEAD SUPPORT - MULTI-ADJUSTABLE PADS**

**MultiFit™ HEAD SUPPORT - FIXTURES**

|                            |                          |       |    |
|----------------------------|--------------------------|-------|----|
|                            | <b>Model # NIB-0784</b>  | ✓     | \$ |
| 10" x 5" Large Rectangular | <input type="checkbox"/> | \$205 |    |

|                                  |                          |       |    |
|----------------------------------|--------------------------|-------|----|
|                                  | <b>Model # NIB-0818</b>  | ✓     | \$ |
| 14" x 5" Extra-Large Rectangular | <input type="checkbox"/> | \$205 |    |

|                     |                          |       |    |
|---------------------|--------------------------|-------|----|
|                     | <b>Model # NIB-0747</b>  | ✓     | \$ |
| Multi-Axis Hardware | <input type="checkbox"/> | \$150 |    |

|                               |                          |      |    |
|-------------------------------|--------------------------|------|----|
|                               | <b>Model # NIB-0823</b>  | ✓    | \$ |
| Head Support Receiver Bracket | <input type="checkbox"/> | \$60 |    |

ALL PRICES QUOTED IN CDN. PRICES ARE SUBJECT TO CHANGE WITHOUT NOTICE.

For additional NXT models, sizes and hardware not shown, please refer to the complete NXT Seating Order Form at [www.motioncomposites.com](http://www.motioncomposites.com)