



FOLDING
ALUMINUM

MOVE | EFFECTIVE SIMPLICITY



EFFECTIVE SIMPLICITY

The MOVE wheelchair meets all Motion Composites' lightness and quality objectives while remaining the most accessible folding wheelchair in our product line. We apply the latest technologies to offer a standard wheelchair that will enhance your day-to-day life with superior-quality parts for unrivaled toughness and performance.

World-renowned, Motion Composites uses its know-how and its passion for innovation to design unique, cutting-edge products inspired by you. As a visionary and passionate company, our ambition is driven by your experience.

We believe that high-performance wheelchairs enhance people's lives with components, design, features and quality. MOVE is our passion for performance, our commitment to quality and our vision of greater freedom brought to life.

GO BEYOND!



Model/Ambassador: Marty Ball



LIGHT AND WELL DESIGNED

- Agile and comfortable handling
- Everything you need, right where you need it

The MOVE model was designed to offer efficiency and mobility at an affordable price. Thanks to its ingenious design, with components and accessories carefully selected by our experts, the MOVE is one of the lightest standard wheelchairs on the market.

SIMPLE AND EFFICIENT

- Better configuration, greater mobility
- Innovative armrests

The MOVE is a well-built adjustable wheelchair equipped with highly functional components. The lightweight composite armrests easily convert from flip-back to single post and can be just as easily adjusted for height. The MOVE adapts to your life and fulfills our mission: to increase your mobility.

STURDY AND DURABLE

- More reliable for greater performance
- A durable, superior-quality wheelchair

The rigid unibody frame eliminates joints, reduces movement and maximizes efficiency. Solid design and reliable components that give you more. From flip-back convertible armrests to integrated push handles and Newton One spoke wheels, the MOVE offers excellent durability, serving you for many years to come.

“ My Move wheelchair has changed my life. I wanted something affordable but didn't want it to look like a standard wheelchair, and I certainly found that in the Move! It's customizable, sleek looking, comfortable, easy to propel, and quite lightweight for a standard folding chair. It has really opened up my world. ”

- Lisa Walter, Newfoundland, Canada

OPTIMAL SEAT-TO-FLOOR HEIGHT

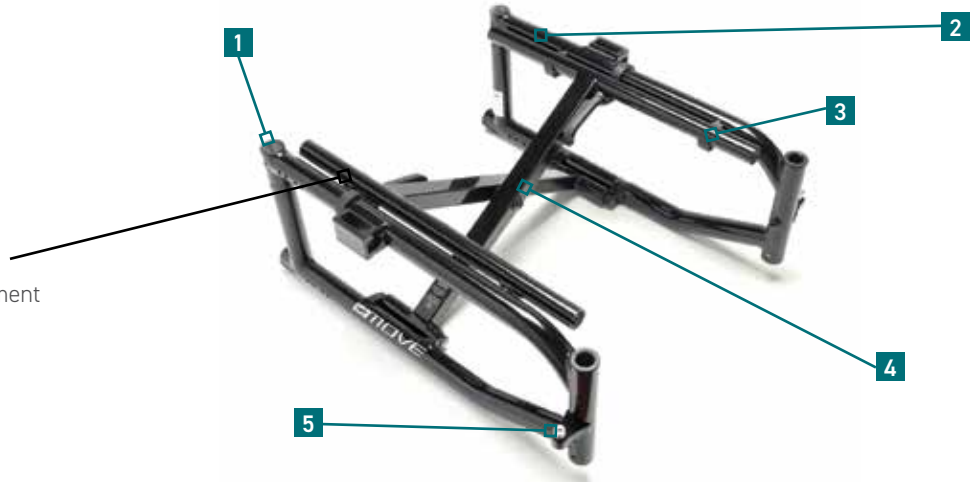
- Practical contact with the ground, no matter the height
- Multiple heights thanks to the hybrid frame design

The frame's innovative design allows you to achieve a super-low 13-inch (33-cm) front seat-to-floor height. In addition to easier contact with the floor, this feature provides better foot propulsion if needed.

FEATURES

RIGID UNIBODY FRAME

Eliminates joints, reduces movement and maximizes efficiency



1 INTEGRATED PUSH HANDLES

For added strength and durability



2 HYBRID FRAME DESIGN

Eliminates the need for both hemi and standard frame, while providing a complete range of seat-to-floor heights



3 ALUMINUM SEAT RAIL

With integrated seat slider for better seat sling support



4 ULTRARIGID FOLDING SYSTEM

Offers best-in-class propulsion efficiency



5 ANTI-FLUTTER SYSTEM

Provides a smooth, more efficient ride

TECHNOLOGIES



RUF

RIGID UNIBODY FRAME

A unibody frame is much stronger and requires less maintenance than a standard two-part frame. It also reduces weight while maximizing propulsion efficiency.



FLIPBACK

FLIP-BACK CONVERTIBLE ARMREST

Easy to adjust and made of composite materials for strength and reduced weight. It is the only armrest that converts from flip-back to single post without the use of tools.



UFS

ULTRARIGID FOLDING SYSTEM

High-precision tolerances and oversized pivot axles for best-in-class propulsion efficiency.



AFS

ANTI-FLUTTER SYSTEM

Minimize flutter with a simple twist of a screw.



VAP

VERTICAL AXLE PLATE

Offers two center of gravity positions, both in front of the back post, for optimal efficiency. Vertical mounting maximizes rigidity and responsiveness.



NEWTON

NEWTON ACCESSORIES

Parts and accessories designed to be lighter with improved functionality.

TECHNICAL SPECIFICATIONS

FRAME	Folding
MATERIAL	6061 aluminum
TRANSPORT WEIGHT	14.0 lb. 6.4 kg (16 x 16 without rear wheels, wheel locks, armrests, cushion, anti-tippers and footrest)
LIGHTEST CONFIGURATION	24.0 lb. 10.9 kg with wheel locks and wheels
WEIGHT LIMIT	265 lb. 120 kg ■ 350 lb. 159 kg — HD Kit
WIDTH	14 in. to 20 in. 35.6 cm to 50.8 cm ■ 18 in. to 22 in. 45.5 cm to 55.9 cm — HD Kit
DEPTH	16 in. to 20 in. 40.6 cm to 50.8 cm
FRONT SEAT-TO-FLOOR HEIGHT	12½ in. to 20½ in. 31.8 cm to 52.1 cm (with 4 in. to 8 in. caster)
REAR SEAT-TO-FLOOR HEIGHT	12 in. to 20 in. 30.5 cm to 50.8 cm (with 20 in. to 26 in. wheel)

DIMENSIONS



SEAT WIDTH

14 in. to 22 in. | 35.6 cm to 55.9 cm



SEAT DEPTH

16 in. to 20 in. | 40.6 cm to 50.8 cm



FRONT SEAT-TO-FLOOR HEIGHT

12½ in. to 20½ in. | 31.8 cm to 52.1 cm



REAR SEAT-TO-FLOOR HEIGHT

12 in. to 20 in. | 30.5 cm to 50.8 cm



BACK HEIGHT

16 in., 18 in., 20 in., 24 in.
40.6 cm, 45.7 cm, 50.8 cm, 61 cm



ARMREST HEIGHT

6 in. to 14 in. | 15.2 cm to 35.6 cm



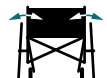
FOOTREST ANGLE

60°, 70°



BACK ANGLE

90° to 110°



WHEEL CAMBER

0°



CENTER OF GRAVITY

¾ in. to 2 in. | 2 cm to 5.1 cm



OVERALL WIDTH

20½ in. min. to 33½ in. max.
52.7 cm min. to 85.1 cm max.



WEIGHT LIMIT

265 lb. | 120 kg
350 lb. | 159 kg — HD Kit

COLOR CHART

FRAME COLOR.
CROSS BRACE IS BLACK.

Black

Charcoal

Steel Blue

Sapphire Blue

Monster Green

Acid Green

Burgundy

Fuschia

Ferrari Red

Sunkissed Orange

GO BEYOND!

Who we are: passionate innovators pushing the boundaries of what is possible. What we do: combine leading-edge engineering with innovative materials to create movement. What makes us proud: having our ultralight wheelchairs echo the love of life their users demonstrate each day. Through our unique approach and distinct attitude, our aim is to enhance lives, nourish a sense of freedom and revolutionize the way people see wheelchairs.

LEARN MORE To learn more about the MOVE and find more information regarding our products, visit our website at motioncomposites.com



T 1 (866) 650-6555

F 1 (888) 966-6555

motioncomposites.com

0070277B-00-V5-MOVE BROCHURE - ENGLISH

