

# Maple Leaf WHEELCHAIR



*The only limitation is your imagination*

**NRG+**  
*GOLD*



6540 Tomken Road  
Mississauga ON L5T 2E9  
T 905.564.2250 F 905.564.5424  
1.800.362.0873

[www.mapleleafwheelchair.ca](http://www.mapleleafwheelchair.ca)

## Operating & Service Manual

## TABLE OF CONTENTS

|                                    |    |
|------------------------------------|----|
| Chair Information & Warranty       | 1  |
| Warranty Card                      | 2  |
| Chair Maintenance                  | 3  |
| Get to Know Your Chair             | 5  |
| Transporting & Folding             | 6  |
| Arms                               | 7  |
| Footrests                          | 9  |
| Elevating Legrests                 | 10 |
| Angle Adjustable Footplates        | 11 |
| Angle Adjustable Back Posts        | 12 |
| Back Post Height Adjustment        | 13 |
| Casters                            | 14 |
| Rear Wheel Set-Up                  | 15 |
| Rear Wheel/Seat Height Adjustments | 16 |
| Wheel Locks                        | 17 |
| Anti-Tippers                       | 18 |
| Contact Us                         | 19 |

## REFERENCE INFORMATION

|                      |                                           |
|----------------------|-------------------------------------------|
| Serial Number _____  | Contact Person _____                      |
| Model Number _____   | Phone Number _____                        |
| Description _____    | Dealer Information (Name & Address) _____ |
| Date Purchased _____ | _____                                     |

Please contact your dealer or Maple Leaf Wheelchair customer service with any questions or concerns you may have with your wheelchair. The above information will help in the process of completing your request.

## LIMITED WARRANTY

Maple Leaf Wheelchair Manufacturing guarantees all parts of our wheelchair to be free of defects in workmanship and materials for a period of two (2) years from date of purchase. "Wear" items such as tires, tubes, armpads and upholsteries are excluded from this warranty.

In addition the frame and crossbraces are guaranteed to be free of defects in workmanship and material (to the original purchaser) for a period of five (5) years from date of purchase.

This warranty is invalid if the chair has been damaged by accident, misuse, neglect, improper application, unauthorized service repair, or the addition of non-factory approved accessories.

Maple Leaf Wheelchair will repair or replace defective parts as required. A return authorization must be obtained and the parts returned to us freight prepaid, within the warranty period. Labour and freight charges incurred for replacements or repairs are not covered.

\*Please fill out the "Maple Leaf Wheelchair Warranty Card" attached, and return the required part to our Maple Leaf Wheelchair facility.

## WARRANTY CARD

Please complete this Maple Leaf Wheelchair Warranty Card and return it to our facility within 30 days of delivery of the equipment. This will assist in initiating your warranty coverage

### Buyer & Dealer Information

Name \_\_\_\_\_

Address \_\_\_\_\_

Phone # \_\_\_\_\_

Email \_\_\_\_\_

Dealer  
Information  
(Name & Address) \_\_\_\_\_

### Product Information

The serial number of your device contains important information. This number will be required should the device need service or replacement parts. Please write down the serial number for future reference.

\*NOTE - The serial number is located on the right side (when seated) of the wheelchair on the lower frame.

Serial # \_\_\_\_\_

Purchase Date  
(M/D/Y) \_\_\_\_\_

6540 Tomken Road  
Mississauga ON L5T 2E9  
T 905.564.2250 F 905.564.5424  
1.800.362.0873

[www.mapleleafwheelchair.ca](http://www.mapleleafwheelchair.ca)



Valued Customer,

Thank you for your purchasing a Maple Leaf Wheelchair product. At Maple Leaf we manufacture top quality “Made In Canada” products, using as many Canadian made materials as possible. Your wheelchair should provide you with many years of service, but like any piece of equipment, it will require proper care and service for it to perform efficiently.

Your satisfaction is necessary and important to us and we want to guarantee it. However we suggest you regularly inspect your chair, checking for loose fasteners, excess play and damage. We also strongly recommend that regular maintenance be done by your service dealer.

Please complete your *Warranty Registration Card* and return it to us at Maple Leaf Wheelchair.

Also please read this manual to help you understand the proper operation, safety and maintenance of your new chair. If you have any difficulties or require additional information contact your dealer or our customer service department at Maple Leaf Wheelchair Manufacturing.

## MAINTENANCE GUIDE

Your wheelchair is designed to give you many years of trouble-free use with proper care. Some servicing can be done at home, but we recommend that periodic maintenance be performed at your dealer. Service frequency depends strongly on the type of use and your dealer can best advise you on the time interval

### CLEANING

All chrome parts can be cleaned with a mild-non abrasive cleaner such as window cleaner. Stubborn spots or rust can be removed with automotive chrome cleaner.

The arms and nylon upholstery should be cleaned with mild soap and water solution. Both should be rinsed well with clean water to remove all soap residues. The molded wheels and casters should also be cleaned with a mild soap and water solution.

### LUBRICATION

Your wheelchair has been made with low friction plastic, aluminum and polished chrome to reduce friction and wear. However a light use of thin lubricant, such as WD40 or silicone spray will reduce friction and wear, making your chair easier to use.

### SAFETY & HANDLING

The safe handling of your chair depends on understanding the purpose and function of your particular wheelchair. Recognizing the chairs; limitations will increase your confidence level.

## MAINTENANCE GUIDE

### LEANING

Leaning should be avoided when possible, as this weight transfer will reduce your chair's stability. When leaning forward or sideways make sure the casters are turned in the direction you are leaning as this will lengthen the wheel base, increasing stability. Also make sure the wheel locks are engaged, to prevent your chair from rolling.

### TIPPING YOUR CHAIR BACK

Tipping the chair is necessary when negotiating curbs and steps. Your chair has a balance point at about 30° when tipped backwards. Tipping with attendant's help should first be practiced before tipping on your own.

With an attendant's help:

- 1) Firmly plant your feet on the footplates, making sure your hands are away from the wheels, then release the brakes.
- 2) Ask the attendant to firmly grip the handle bars, place one foot on the tail tube and tilt the chair back by pulling back on the handle bars and pushing down on the tail tube.

This will rotate the chair around the rear wheel axles allowing the chair to be easily moved forward or backward on the rear wheels.

To return the chair to its' upright position, reverse the procedure, easing the chair down gently.

Without an attendant's help:

To tip yourself, push forward on the handrims while you push back. Keep your knees bent and your back straight. Once you have obtained the balance point, practice maintaining it. This practice is good for maneuvering your chair around obstacles, but with caution.

### MANEUVERING RAMPS, CURBS & STAIRS

Lean forward in chair, putting your weight the over front casters when going up inclines. When going down, do so slowly by controlling your speed using the handrims and not the wheel.

To mount a curb use the tipping method, tip the chair so front casters clear curb height, roll forward placing the front casters on curb then continue to roll forward lifting rear wheels onto curb. To descend a curb it is safest to dismount the curb backward, lowering the rear wheels first. You may also roll yourself forward and down but do so extremely slowly.

**DO NOT USE** your chair on an escalator. Find the nearest elevator instead. Going up or down stairs should be done with at least two (2) attendants at all times.

### TRANSFERRING IN A WHEELCHAIR

Attendant assistance is recommended to stabilize the chair and help in lifting you, if necessary. Transfers are best accomplished by following these guidelines:

- Use a chair with removable or flip back arms
- Engage your wheel locks to prevent movement
- Position your chair as close as possible to transfer object
- Try to transfer to objects of similar height



## OPERATING GUIDE

### Getting To Know Your Chair

Full Chair Diagram

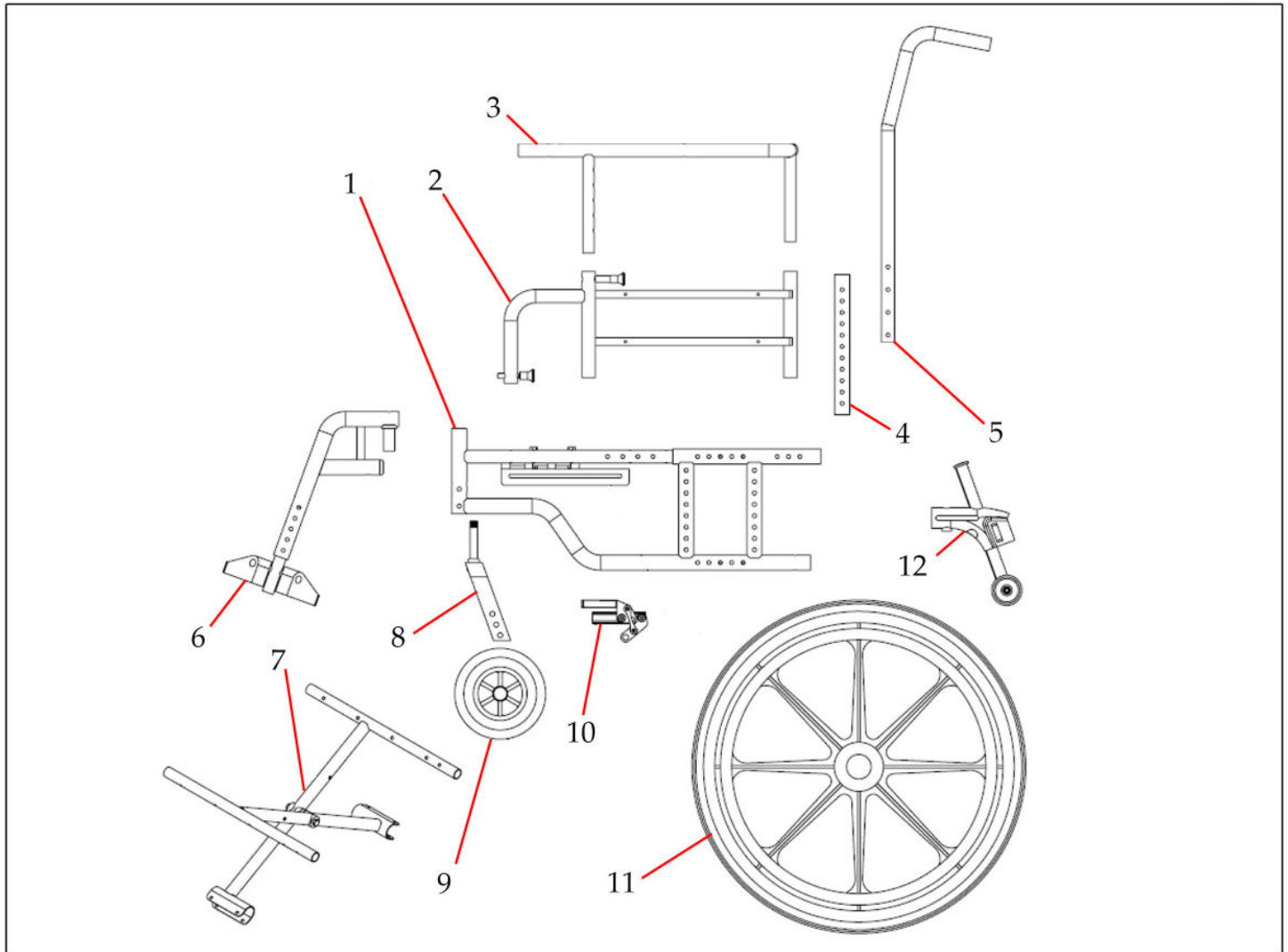


Fig. 1

| # | Description     |
|---|-----------------|
| 1 | Frame           |
| 2 | Arm Base        |
| 3 | Arm Top         |
| 4 | Backpost Sleeve |
| 5 | Backpost Cane   |
| 6 | Footrest        |

| #  | Description  |
|----|--------------|
| 7  | Crossbrace   |
| 8  | Caster Fork  |
| 9  | Caster       |
| 10 | Brake        |
| 11 | Wheels       |
| 12 | Anti-Tippers |





## OPERATING GUIDE

### OPENING & CLOSING YOUR WHEELCHAIR

#### To open:

Make sure the wheel locks are disengaged. Then push down on one or both seat rails until they are completely resting on the seat saddles. Your chair is now fully open and ready for use.

#### To close:

Disengage wheel locks and fold both footplates up. (Remove footrests if the chair is going to be transported). Facing your chair take a hold of the seat upholstery at both the front and rear center. Then lift straight up to fold the chair.

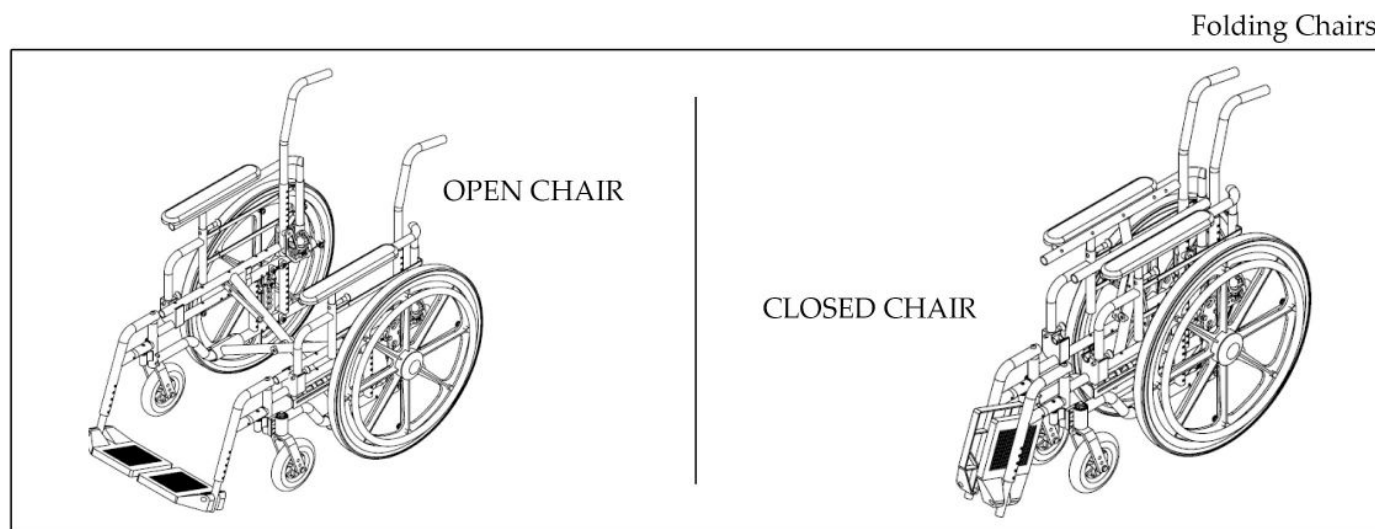


Fig.2

### TRANSPORTING

#### To lift:

First close the wheelchair (use previous instructions). Then engage the wheel locks to prevent wheels from rotating. Finally to lift the chair hold onto the seat rail and push handle. DO NOT lift chair by holding onto any removable or moving parts.

#### Transporting:

For larger vehicles, chair does not have to be closed, but inside the vehicle wheel locks should be engaged to prevent chair from rolling around.

For smaller vehicles or a trunk, it is necessary to close the chair (use previous instructions). Then follow the "To lift" instructions above to place in the vehicle. To make the chair easier to lift or store you can remove the footrests, the arms and the wheels (optional quick release axles).





## OPERATING GUIDE

### Arms - Conventional

| # | Description            | Quantity |
|---|------------------------|----------|
| 1 | Arm Top                | 2        |
| 2 | Arm Base               | 2        |
| 3 | Height Adjustment Knob | 2        |
| 4 | Arm Removal Knob       | 2        |

Your chair has standard fixed height, or adjustable height, removable or flip back arms. Either style may be easily removed from the chair.

To adjust the height

- 1) Pull the height adjustment knob(3) out.
- 2) Slide the arm top(1) to the desired height.
- 3) Release the height adjustment knob(3) will then slide back into the locked position into the closest locking hole

To remove "Removable" arm type

- 1) Pull the arm removal knob(4) out.
- 2) Lift the arm base(2) straight out.

To remove "Flip Back" arm type

- 1) Pull the arm removal knob(4) out.
- 2) Pull the arm base(2) up and back "flipping" it behind the chair back and then pull the arm base straight back

Conventional Arm Type Diagram

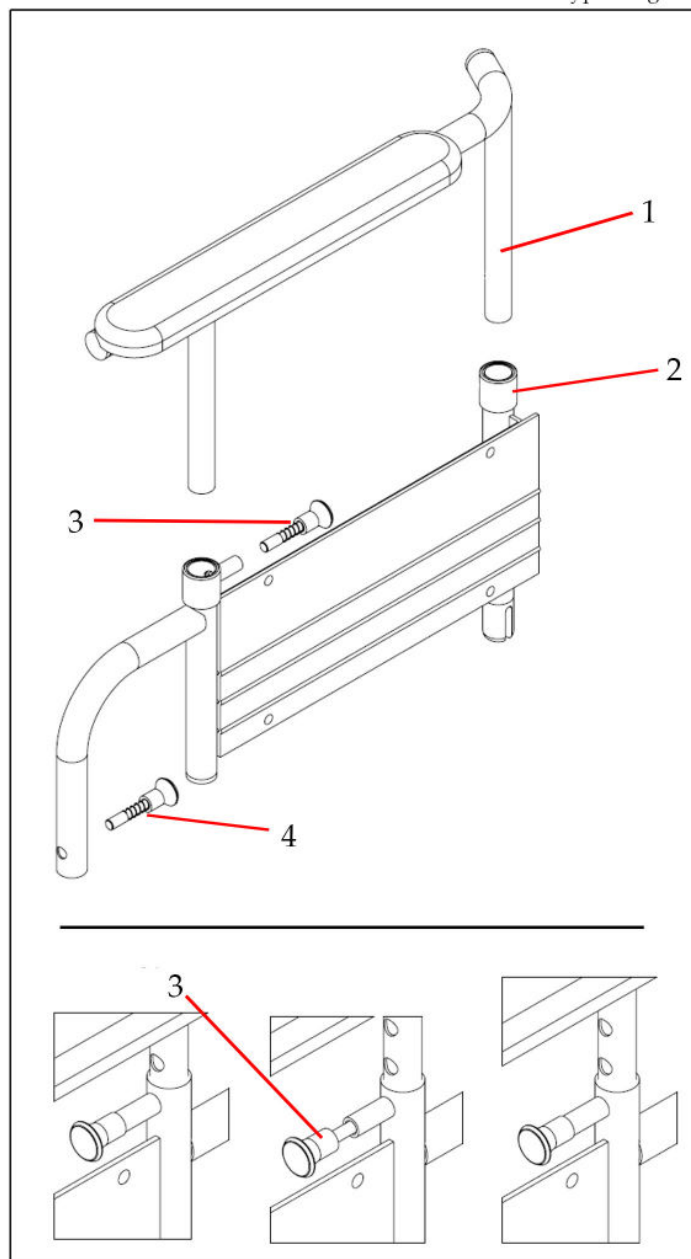


Fig. 3

## OPERATING GUIDE

### Arms - T Style

| # | Description            | Quantity |
|---|------------------------|----------|
| 1 | Arm Top                | 2        |
| 2 | Arm Base               | 2        |
| 3 | Height Adjustment Knob | 2        |
| 4 | Arm Removal Knob       | 2        |

Your chair has standard fixed height, or adjustable height, removable or flip back arms. Either style may be easily removed from the chair.

#### To adjust the height

- 1) Pull the height adjustment knob(3) out.
- 2) Slide the arm top(1) to the desired height.
- 3) Release the height adjustment knob(3) will then slide back into the locked position into the closest locking hole

#### To remove "Removable" arm type

- 1) Pull the arm removal knob(4) out.
- 2) Lift the arm base(2) straight out.

#### To remove "Flip Back" arm type

- 1) Pull the arm removal knob(4) out.
- 2) Pull the arm base(2) up and back "flipping" it behind the chair back and then pull the arm base straight back

"T" Style Arms Diagram

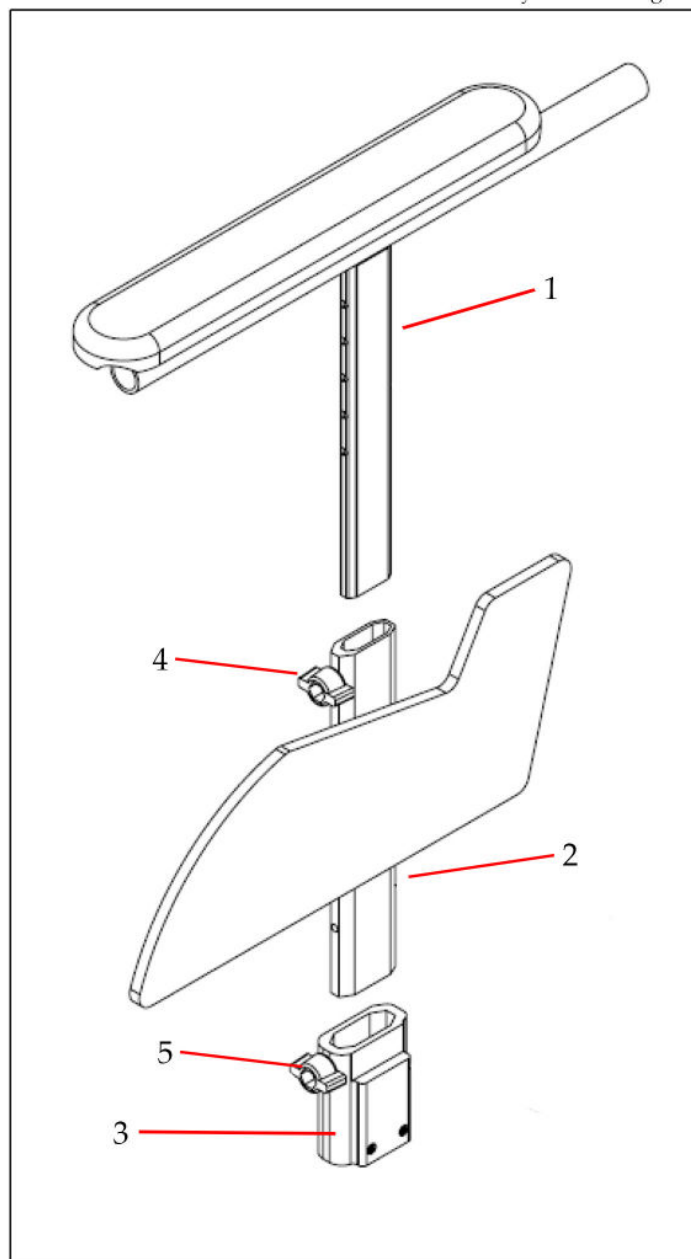


Fig. 4



## OPERATING GUIDE

### FOOTREST

| # | Description           | Quantity |
|---|-----------------------|----------|
| 1 | Footplate             | 2        |
| 2 | Release Handle        | 2        |
| 3 | Footrest Bushing      | 2        |
| 4 | Footrest Housing Post | 2        |

The footrest on your chair is designed to symmetrically swing away and removes easily. This means you can swing the footrest in or out.

Footrest Diagram

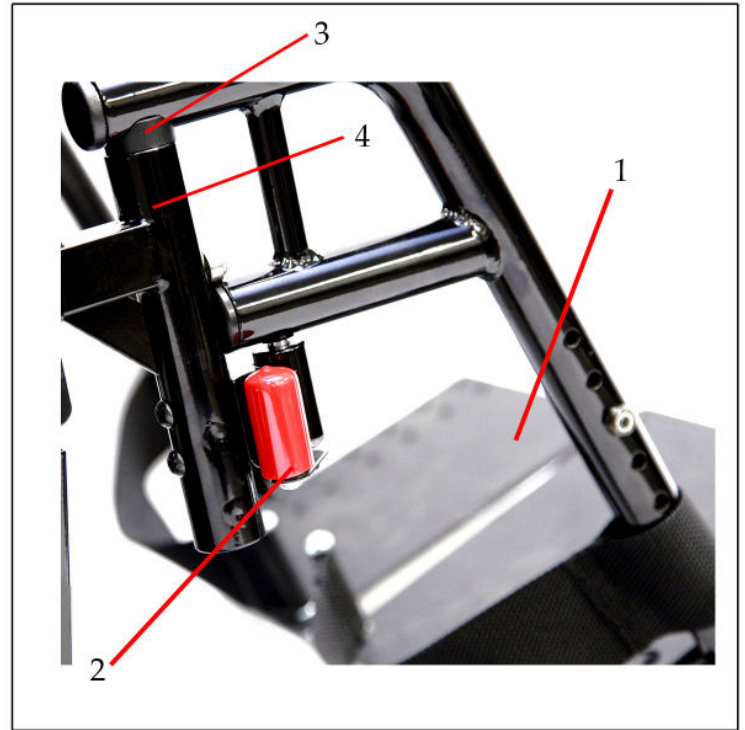


Fig. 5

#### To remove:

- 1) Remove feet from the footplates and fold the footplates (1) up.
- 2) Then push the release handle (2) on the footrest down.
- 3) Swing the footrest to the side of your chair and then remove by lifting it straight up.

#### To replace:

- 1) Hold the footrest at the side of your chair
- 2) Insert the footrest bushing (3) into the footrest housing post (4) \*be sure to allow it to drop all the way in
- 3) Swing the footrest towards the front of the chair, when it hits center it will lock into place.



## OPERATING GUIDE

### ELEVATING LEGREST

| # | Description                      | Quantity |
|---|----------------------------------|----------|
| 1 | Elevating Locking System         | 2        |
| 2 | Release Tab                      | 2        |
| 3 | Locking Nut                      | 2        |
| 4 | Legpad                           | 2        |
| 5 | Locking Pin                      | 2        |
| 6 | Height Adjustment Swivel Bracket | 2        |
| 7 | Footplate                        | 2        |

Your legrest is designed to be removed and replaced the same as your footrest. However it is advisable to remove and replace your legrest while the footrest is in a down position. Lifting on the footplate(7) raises the legrest and it will automatically lock at the raised position. Pulling back on the black coated release tab(2) on the elevating locking device(1) lowers the legrest.

To adjust your legrest extension, undo the nut(3) with a 7/16" wrench. Slide down to desired length and then secure the extension by locking into place with the same nut.

Your legpad(4) is adjustable and allows for 3 adjustments. To adjust,

- 1) Pull the legpad(4) forward clearing the locking pin(5) from the slot on the height adjustment swivel bracket(6)
- 2) Slide the legpad(4) to desired adjustment height.
- 3) Push the legpad(4) back inserting the locking pin(5) into the new slot on the height adjustment swivel bracket(6)

Legrest Diagram

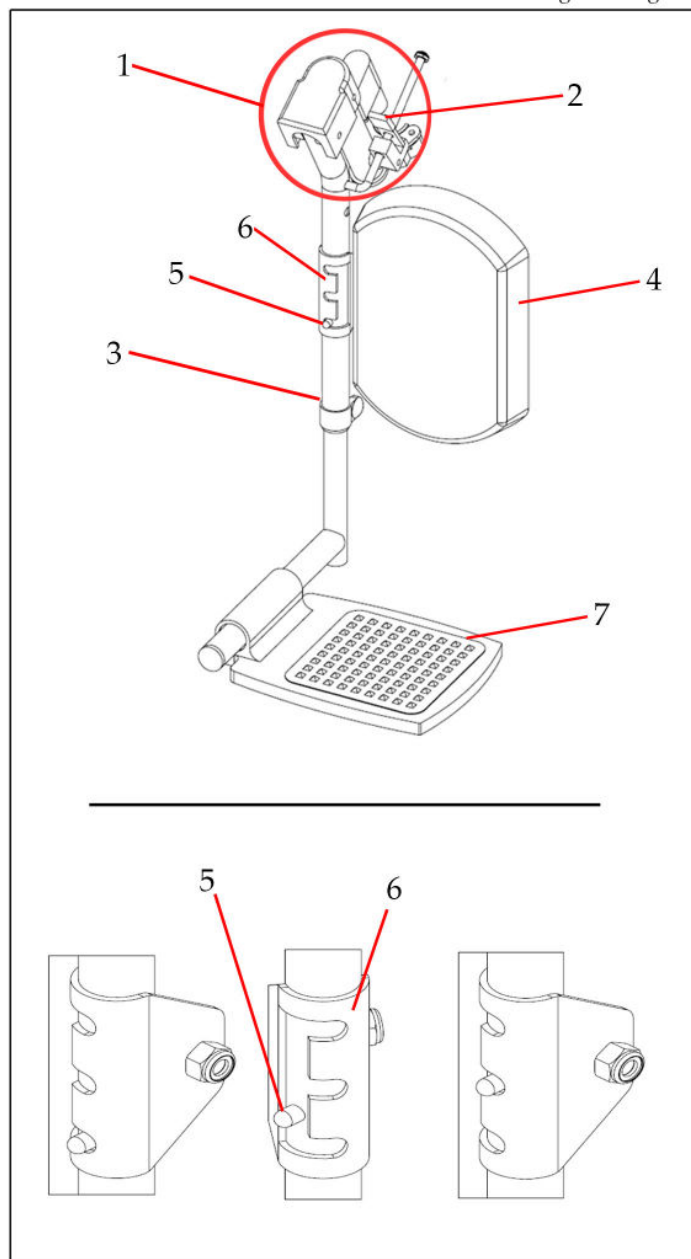


Fig. 6

## OPERATING GUIDE

### Angle Adjustable Footplates

| # | Description            | Quantity |
|---|------------------------|----------|
| 1 | Footplate              | 2        |
| 2 | Bolts                  | 4        |
| 3 | Nuts                   | 4        |
| 4 | Depth Adjustment Holes | 4        |
| 5 | Clamp                  | 2        |

Angle adjustable footplates are designed to allow for both depth and angle adjustment.

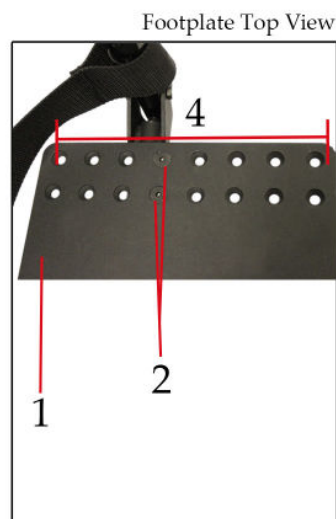


Fig. 7

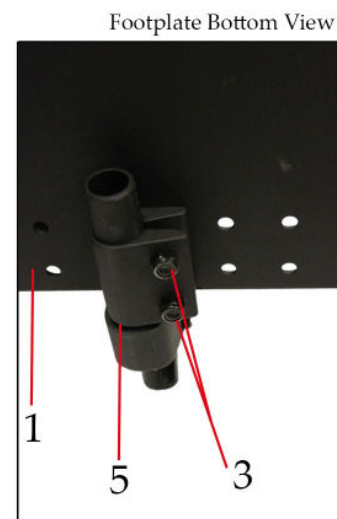


Fig. 8

To adjust depth:

1. First remove the nuts(3) and bolts(2) with a 4mm Allen Key and 10mm
2. Slide the footplate(1) to the desired depth, lining the holes up with the 2 on the clamp(5)
3. Refasten the nuts(3) and bolts(2) at new depth hole(4)
4. Repeat for both sides of the chair if necessary.

To adjust angle:

1. First loosen the nuts(3) and bolts(2) with a 4mm Allen Key and 10mm
2. Rotate the footplate(1) to the designed angle.
3. Tighten the nuts(3) and bolts(2) at once new angle is achieved.
4. Repeat for both sides of the chair if necessary.



## OPERATING GUIDE

### Angle Adjustable Back Posts

| # | Description           | Quantity |
|---|-----------------------|----------|
| 1 | Back Post Brackets    | 1        |
| 2 | Angle Adjustment Bolt | 2        |
| 3 | Angle Adjustment Nut  | 2        |
| 4 | Support Bolt          | 2        |
| 5 | Support Nut           | 2        |
| 6 | Back Post             | 2        |

The back posts on your chair are designed to maximize comfort. The angle of the back post can be changed to 7 different settings.

Angle Adjustable Bracket

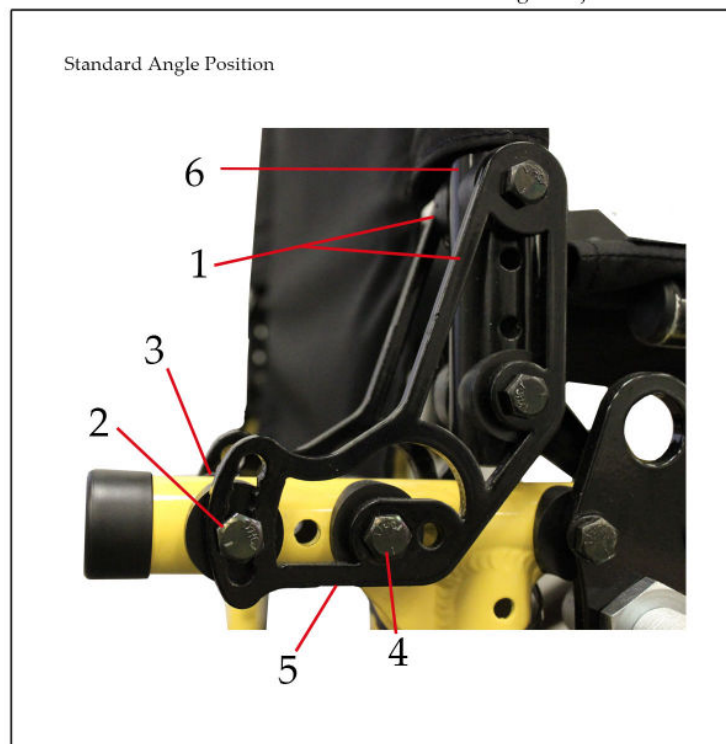


Fig. 9

To adjust the back angle:

1. Remove the angle bolt(2) and angle nut(3) with two 7/16" wrenches.
2. Loosen the support bolt(4) and support nut(5) with two 7/16" wrenches.
3. Move the back post(6), sliding the back post brackets(1) to desired angle.
4. Insert the angle bolt(2) back into the angle slots and tighten with the angle bolt.
5. Retighten the support bolt(4) and support nut(5)
6. Repeat on other side. Be sure to place bolt into the same hole as previously selected





## OPERATING GUIDE

### Height Adjustable Back Posts

| # | Description    | Quantity |
|---|----------------|----------|
| 1 | 7/8" Back Post | 2        |
| 2 | 1" Back Post   | 2        |
| 3 | 7/16" Hex Bolt | 4        |
| 4 | 7/16" Hex Nut  | 4        |

The back posts on your chair are uniquely designed to allow adjustability of the back height. Please read and follow these directions to do so safely:

Adjustable Back Posts

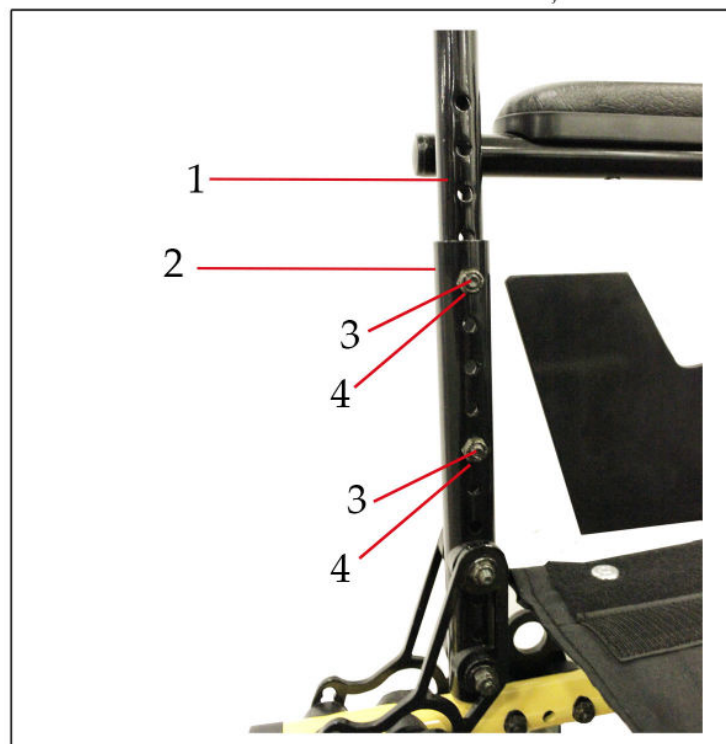


Fig. 10

To adjust the back height:

1. First you will have to remove the back upholstery, remove top screws and slide the upholstery up and off the back posts.
2. Remove the 7/16" hex bolts(3) from the 1" back post(2).
3. Slide the 7/8" back post either up or down to desired back height position.
4. Refasten the 7/16" hex bolts(3) and 7/16" hex nuts(4)
5. Repeat for both sides of the chair, ensuring to match the holes exactly.

*\*please note: if the back height is changed you will need to purchase new back upholstery to fit the chair correctly. Failure to do so will result in improper use of the product and possibly injury.*

## OPERATING GUIDE

### Front Casters

| # | Description    | Quantity |
|---|----------------|----------|
| 1 | Side Frame     | 2        |
| 2 | Caster Housing | 2        |
| 3 | Fork Stem      | 2        |
| 4 | Fork Stem Nut  | 2        |
| 5 | Caster Fork    | 2        |
| 6 | Bearings       | 4        |
| 7 | Caster         | 2        |
| 8 | Dust Cap       | 2        |

Front Caster Diagram

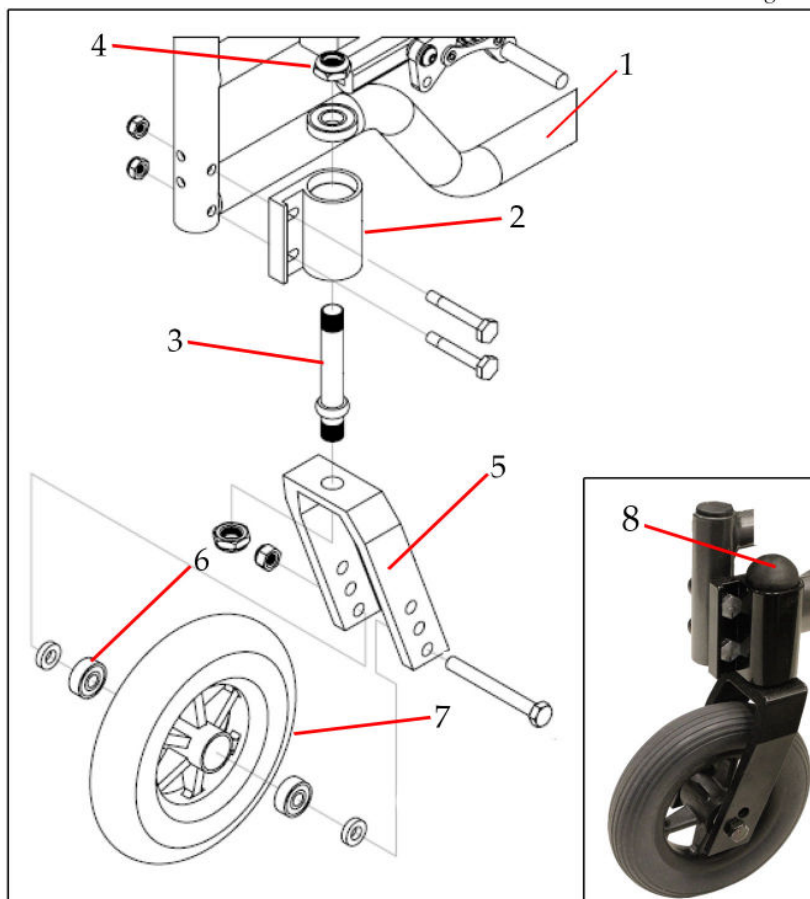


Fig. 11

Your casters(7) are made of injection molded nylon and will not rust. They are also fitted with sealed precision bearings(6) which require no lubrication. If fluttering or pulling is experienced, your fork stem(3) may need adjustment or replacement. To adjust or replace, flip the chair back onto its push handles. Next remove the dust caps(8) from the caster housing(2) with a knife or flathead screw driver. Then tighten the fork stem nut(4) with a 3/4" socket wrench while holding the caster assembly steady. Check for smooth easy turning without side or end play while adjusting. DO NOT overtighten as this may damage the bearings.

Axle adjustment on the caster bearings, although not critical, may also improve performance. The axle nut should be adjusted to produce a smooth free running caster without side play. Again DO NOT overtighten as this will damage the bearings

## OPERATING GUIDE

### Rear Wheels

| # | Description                   | Quantity |
|---|-------------------------------|----------|
| 1 | Axle Receiver                 | 2        |
| 2 | Frame                         | 1        |
| 3 | Axle Plate                    | 2        |
| 4 | 1/4" x 1 3/4"<br>Hex Cap Bolt | 8        |
| 5 | Axle Nut                      | 2        |
| 6 | Wheel Bearings                | 4        |
| 7 | Nylon Wheel                   | 2        |
| 8 | 1/2" x 3 1/2" Axle            | 2        |
| 9 | Hub Cap                       | 2        |

Nylon Wheels Diagram

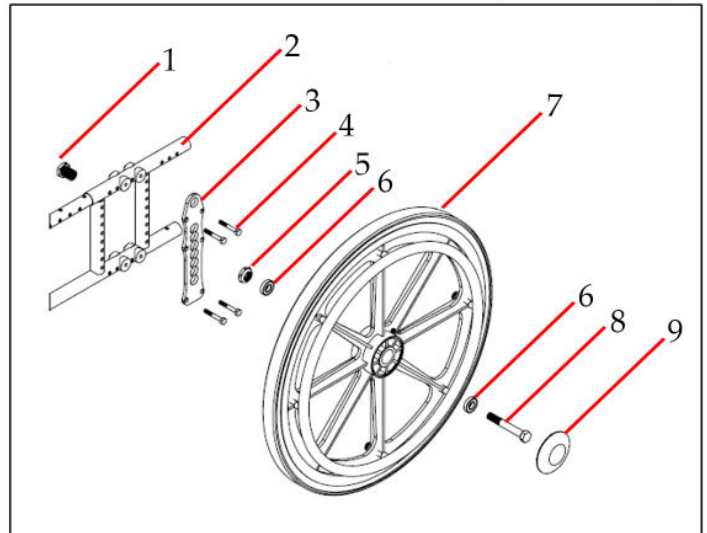


Fig. 16

| # | Description                   | Quantity |
|---|-------------------------------|----------|
| 1 | Axle Receiver                 | 2        |
| 2 | Frame                         | 1        |
| 3 | Axle Plate                    | 2        |
| 4 | 1/4" x 1 3/4"<br>Hex Cap Bolt | 8        |
| 5 | Axle Nut                      | 2        |
| 6 | Wheel Bearings                | 4        |
| 7 | Spoke Wheel                   | 2        |
| 8 | 1/2" x 3 1/2" Axle            | 2        |
| 9 | Hub Cap                       | 2        |

Spoke Wheels Diagram

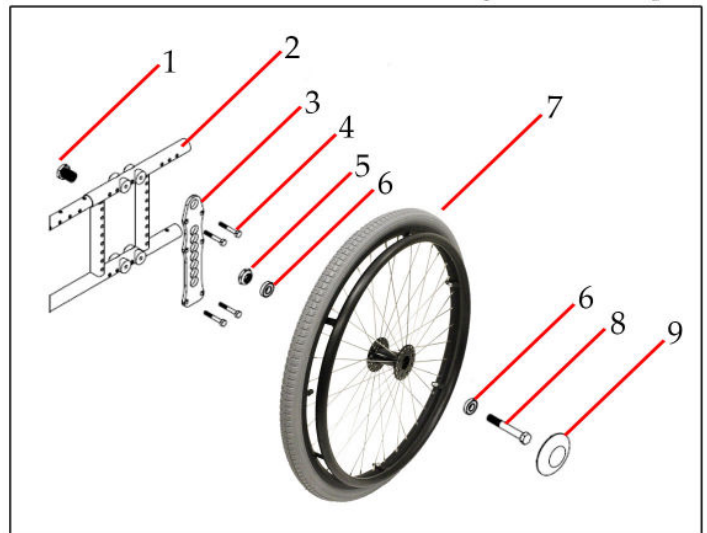


Fig. 12

This chair comes with a wheel option of either nylon or spokes. They are fitted with sealed precision bearings(6) which require no lubrication. However they may need occasional adjustments due to wear under normal use. Too much side play, looseness or squeaking from your wheel means it needs to be checked. In most cases tightening of the axle bolt(8) will resolve those conditions. Should squeaking and looseness continue, the bearings may need to be replaced. See your servicing dealer for assistance.



## OPERATING GUIDE

### Rear Wheel Adjustments/Seat Height Adjustments

|   | Description                | Quantity |
|---|----------------------------|----------|
| A | Axle Receiver              | 2        |
| B | Axle Plate                 | 2        |
| C | 1/4" x 1 3/4" Hex Cap Bolt | 8        |
| D | Side Frame                 | 2        |

#### Vertical Adjustment

The rear wheels can be adjusted into any of the 7 holes on the axle plate(B). To do so loosen the axle receiver(A) with a 1" wrench and a 11/16" wrench. Then fit into desired hole and tighten. (Refer to Table 1.1 to see corresponding seat heights for the wheels you have)

#### Horizontal Adjustment

The rear wheels can also be adjusted horizontally. To do so remove the axle plate by removing all 4 hex cap bolts(C) with 2-7/16" wrenches. Slide the axle plate(B) to the desired position then fasten with the 4 hex cap bolts(C).

Axle Plate Diagram

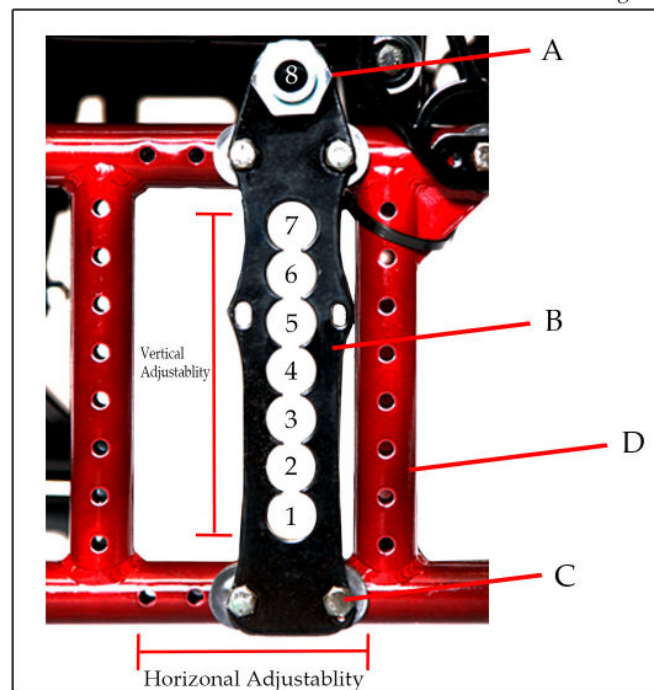
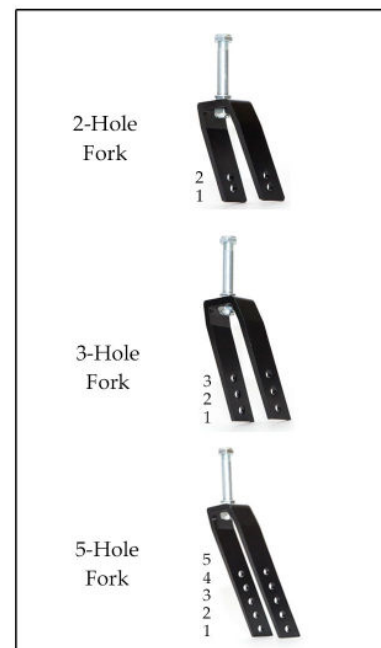


Fig. 13

| SEAT HEIGHT<br>Hemi Frame | REAR WHEEL | AXLE PLATE<br>HOLE | CASTER | FORK   | FORK HOLE |
|---------------------------|------------|--------------------|--------|--------|-----------|
| XXL 12.00"                | 20"        | 8                  | 5"     | 2-Hole | 2         |
| XL 12.50"                 | 20"        | 8                  | 5"     | 3-Hole | 3         |
| SSL 13.75"                | 22"        | 8                  | 5"     | 3-Hole | 2         |
| SL 14.50"                 | 20"        | 7                  | 6"     | 3-Hole | 1         |
| L 15.25"                  | 22"        | 7                  | 6"     | 5-Hole | 2         |
| LH 16.00"                 | 22"        | 6                  | 6"     | 5-Hole | 1         |
| LH 16.00"                 | 22"        | 6                  | 8"     | 5-Hole | 2         |
| LH 16.00"                 | 24"        | 6                  | 6"     | 5-Hole | 1         |
| LH 16.00"                 | 24"        | 6                  | 8"     | 5-Hole | 2         |
| (H) MH 16.75"             | 22"        | 5                  | 8"     | 5-Hole | 1         |
| (H) MH 16.75"             | 24"        | 5                  | 8"     | 5-Hole | 1         |
| <b>Standard Frame</b>     |            |                    |        |        |           |
| (S) MH 16.75"             | 22"        | 5                  | 6"     | 5-Hole | 3         |
| (S) MH 16.75"             | 24"        | 6                  | 6"     | 5-Hole | 3         |
| H 17.50"                  | 22"        | 3                  | 8"     | 5-Hole | 3         |
| H 17.50"                  | 24"        | 4                  | 8"     | 5-Hole | 3         |
| SH 18.25"                 | 22"        | 2                  | 8"     | 5-Hole | 2         |
| SH 18.25"                 | 24"        | 2                  | 8"     | 5-Hole | 2         |
| A 19.00"                  | 24"        | 2                  | 8"     | 5-Hole | 1         |
| T 20.00" **               | 24"        | 1                  | 8"     | 5-Hole | 1         |

Table 1.1

\*\* - Custom Caster Socket Required





## OPERATING GUIDE

### Wheel Locks/Tires

| # | Description      | Quantity |
|---|------------------|----------|
| 1 | Tires            | 2        |
| 2 | Brake Shoe       | 2        |
| 3 | Brake Handle     | 2        |
| 4 | Brake Bar *      | 2        |
| 5 | 1/4" Nuts        | 4        |
| 6 | Brake Clamp *    | 2        |
| 7 | 5mm Allen Screws | 4        |

\*Attaching mechanism depends on chair size

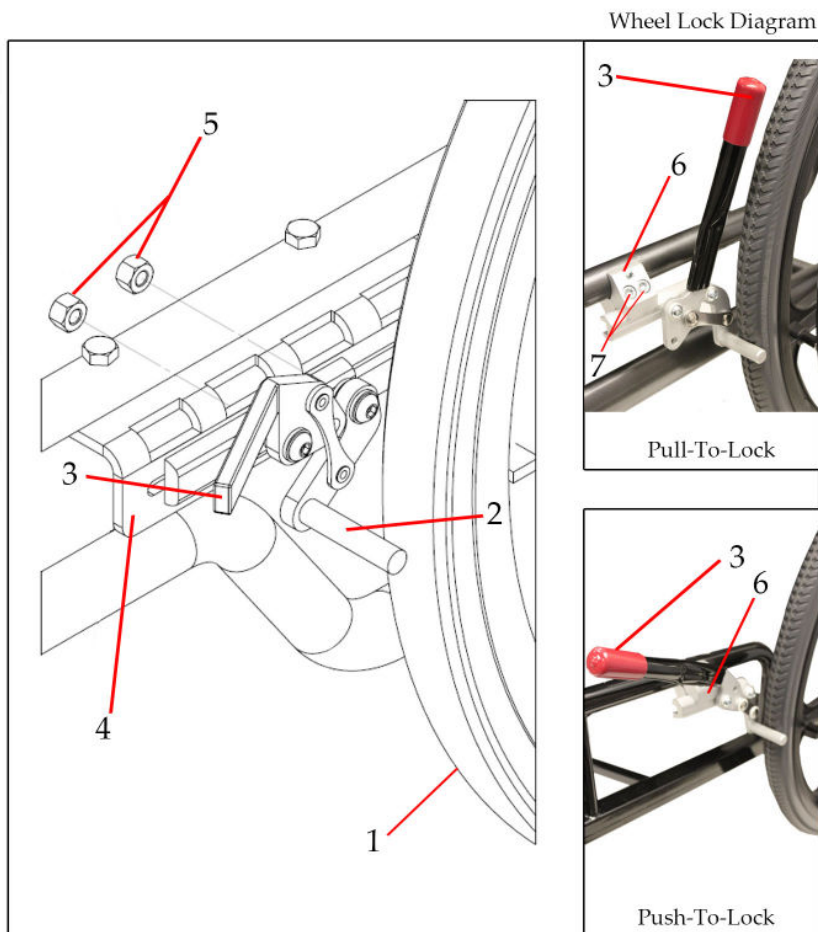


Fig. 14

### Tires

The standard tires on your chair are solid, maintenance free urethane. These tires are reliable, long lasting and provide a very comfortable ride. Your chair may also be equipped with pneumatic tires, these must be regularly checked for wear and proper inflation. Air pressure should not exceed 40psi. Remember heated air expands, and a wheel with 40psi in cold weather will greatly increase outdoors or in the trunk of a car in the hot sun.

### Wheel Locks

The position of the wheel locks are preset at the factory to provide you with the safest performance. However, tire(1) and brake shoe(2) will wear under normal usage, and will require some adjustment to ensure continued safe performance.

To adjust, loosen nuts(5) or allen screws(7) depending on attaching mechanism. Slide the brake assembly towards the wheel. Ensure that the brake hold securely but does not require too much effort to be applied. Then tighten nuts or screws securing the assembly in the appropriate position. A light application of lubrication can enhance performance.

## OPERATING GUIDE

### Anti-Toppers

| # | Description           | Quantity |
|---|-----------------------|----------|
| 1 | Release Pin           | 2        |
| 2 | Chair Socket          | 2        |
| 3 | Housing               | 2        |
| 4 | Bolt                  | 2        |
| 5 | Height Extension Tube | 2        |
| 6 | Anti-Tipper Wheel     | 4        |

The anti-tippers are used to prevent your chair from tipping over while in tilt. Although removable, anti-tippers must never be removed when using the chair.

Anti-Tipper Diagram

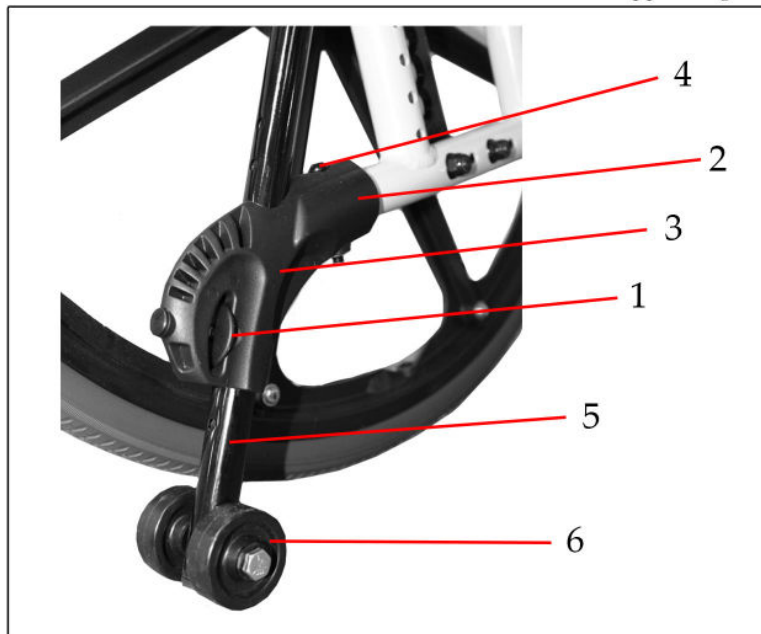


Fig. 15

To remove Anti-Tippers:

Loosen the bolt (4) and remove anti-tipper assembly from frame.

To adjust the Anti-Tipper height:

Pull on the release pin(1) while moving the height extension tube(5) to your desired position, then release the release pin(1) to lock the height extension tube(5) into place.

\*Please adjust the Anti-Tippers to a safe height (maximum of 2" from the ground). Whenever the seat height is adjusted by the wheels, be sure to adjust the Anti-Tippers's height as well.



Once again thank you for your purchase of a Maple Leaf Wheelchair. If you have any further questions or concerns, please do not hesitate to contact us directly.



*The only limitation is your imagination*

6540 Tomken Road  
Mississauga ON L5T 2E9  
T 905.564.2250 F 905.564.5424  
1.800.362.0873

[www.mapleleafwheelchair.ca](http://www.mapleleafwheelchair.ca)