

The background of the cover features a large, faint, stylized rose on the left side and a line graph with data points on the right side, all in a lighter shade of red.

QUICKIE QXi

PARTS MANUAL

JULY 2019

| | |
|--------------------------------------------------------------------------------|----|
| Product..... | 1 |
| QUICKIE QX/QXI | 5 |
| GLOSSARY OF ABBREVIATIONS..... | 5 |
| BASE FRAME | 5 |
| QXI FRAME..... | 5 |
| ADJUSTABLE SIDE FRAME QXI | 6 |
| ADJUSTABLE HEMI SIDE FRAME QXI | 7 |
| CROSS FRAME | 9 |
| TRANSIT KIT DISCONTINUED | 11 |
| QX FRAME..... | 11 |
| FIXED SIDE FRAME QX (EFFECTIVE 8/15/16)..... | 12 |
| FIXED HEMI SIDE FRAME QX (EFFECTIVE 8/15/16)..... | 13 |
| NEW TRANSIT WC19..... | 15 |
| AXLES AND AXLE PLATES | 15 |
| QXI AXLE PLATE..... | 16 |
| QR AXLE MATRIX | 18 |
| FIXED AXLE PLATE QX | 19 |
| THREADED AXLES | 21 |
| CASTERS AND FORKS..... | 22 |
| CASTER PLATES | 23 |
| CASTER STEM & FORK ASSMS | 24 |
| 3 SPOKE CASTERS | 26 |
| ANTI TIPS | 26 |
| ANTI TIPS QX/QXI | 27 |
| WHEEL LOCKS | 27 |
| HIGH MOUNT PUSH WHEEL LOCK..... | 28 |
| HIGH MOUNT PULL WHEEL LOCK..... | 30 |
| COMPACT WHEEL LOCK | 31 |
| UNILATERAL WHEEL LOCK..... | 32 |
| WHEEL LOCK EXTENSION HANDLE..... | 34 |
| WHEELS AND TIRES | 34 |
| WHEELS | 34 |
| TRADITIONAL 6 SPOKE MAG | 35 |
| LITE SPOKE..... | 36 |
| 5 SPOKE MAG..... | 37 |
| TIRES..... | 37 |
| PNEUMATIC & PNEU. AIRLESS TIRE..... | 38 |
| FULL POLY TIRE | 39 |
| HIGH PRESSURE CLINCHER TIRE | 40 |
| SCHWALBE MARATHON PLUS TIRE | 41 |
| HANDRIMS | 41 |
| ALUMINUM ANODIZED (SCREW MOUNT)..... | 42 |
| PLASTIC COATED (SCREW MOUNT)..... | 43 |
| NATURAL FIT (SCREW MOUNT) | 44 |
| NATURAL FIT 5 SPOKE MAG (SCREW MOUNT)..... | 46 |
| NATURAL FIT (TAB MOUNT)..... | 47 |
| THE SURGE (TAB MOUNT)..... | 49 |
| THE SURGE (SCREW MOUNT)..... | 50 |
| Q-GRIP (TAB MOUNT) | 51 |
| Q-GRIP (SCREW MOUNT)..... | 52 |
| TUBES AND AIRLESS INSERTS | 53 |
| SEATING AND POSITIONING..... | 53 |
| SEAT | 53 |
| QXI DEPTH ADJUSTABLE SEAT SLING (Disc 8/15/16 & prior to S/N QXI-024000) | 54 |
| STANDARD SEAT SLING beginning QXI-024000 and all QX- serial numbers | 55 |
| BACK..... | 56 |
| BACK FRAME | 56 |
| INTEGRAL PUSH HANDLE BACKREST..... | 57 |
| OMIT PUSH HANDLE BACKREST..... | 59 |
| FOLD DOWN PUSH HANDLE BACKREST..... | 60 |
| ANGLE ADJUSTABLE BACKREST..... | 61 |
| NEW FOLDING PUSH HANDLE..... | 63 |
| BACK UPHOLSTERY | 64 |
| TENSION ADJUSTABLE BALLISTIC NYLON UPHOLSTERY..... | 65 |
| TENSION ADJUSTABLE 3DX VENTED UPHOLSTERY | 68 |
| STANDARD BACKREST UPHOLSTERY | 71 |
| TENSION ADJUSTABLE EXO UPHOLSTERY (Folding Chairs)..... | 72 |
| EXO BACK UPHOLSTERY STD (Folding Chairs)..... | 78 |
| HANGERS AND FOOTPLATES | 81 |
| EXTENSION MOUNT..... | 81 |

| | |
|-----------------------------------------------------------------------------------------|-----|
| 60 DEG SWING IN/OUT HANGER | 82 |
| 70 DEG SWING IN/OUT HANGER | 83 |
| 80 DEG SWING IN/OUT HANGER | 84 |
| FOOTPLATES..... | 84 |
| COMPOSITE FOOTPLATE..... | 85 |
| COMPOSITE ANGLE ADJUSTABLE FOOT PLATE | 89 |
| ADULT ANGLE-ADJ FOOTPLATE EXT MOUNT | 92 |
| ELR prior to S/N QXI-018551 | 95 |
| ELEVATING HANGER QXI..... | 96 |
| ELR & ALR CALF PAD 14 -15" | 99 |
| ELR & ALR CALF PAD 16-20" | 100 |
| ELEVATING HEMI HANGER KNEE PAD..... | 101 |
| COMPOSITE FOOTPLATE..... | 102 |
| ELR/ALR ALUMINUM FOOTPLATE | 106 |
| ADULT ANGLE-ADJ FOOTPLATE EXT MOUNT | 108 |
| ELR after S/N QXI-018551 | 111 |
| FRONT MOUNT ELR..... | 111 |
| FRONT MOUNT ELR (LATCH STUD STYLE) (DISC. 2/6/17)..... | 112 |
| 90 DEG ELEVATING CALF PAD..... | 114 |
| FRONT MOUNT HANGER EXT..... | 115 |
| ADULT ANGLE-ADJ FOOTPLATE FRONT MOUNT..... | 116 |
| EXTENSION MOUNT ELR..... | 119 |
| EXTENSION MOUNT ELR RETROFIT (LATCH STUD STYLE) (DISC. 2/6/17) | 119 |
| EXTENSION MOUNT ELR REPLACEMENT PARTS (LATCH STUD STYLE) (DISC. 2/6/17) | 120 |
| ELR & ALR CALF PAD 14 -15" | 122 |
| ELR & ALR CALF PAD 16-20" | 123 |
| ELR/ALR ALUMINUM FOOTPLATE | 124 |
| ALR after S/N QXI-018551 | 125 |
| ALR (LATCH STUD STYLE) (DISC. 2/6/17) | 126 |
| ELR & ALR CALF PAD 14 -15" | 128 |
| ELR & ALR CALF PAD 16-20" | 129 |
| COMPOSITE ANGLE ADJUSTABLE FOOT PLATE | 130 |
| ADULT ALUMINUM ANGLE-ADJ FOOTPLATE EXT MOUNT | 133 |
| ELR/ALR ALUMINUM FOOTPLATE | 136 |
| SWING IN-OUT ELR & ALR (PLUNGER STYLE) (EFFECTIVE 2/6/17) | 137 |
| FRONT MOUNT ELR (PLUNGER STYLE) (EFFECTIVE 2/6/17)..... | 137 |
| SWING IN-OUT FRONT MOUNT ELR RETRO KITS (PLUNGER STYLE) (EFFECTIVE 2/6/17) | 138 |
| SWING IN-OUT FRONT MOUNT ELR REPLACEMENT PARTS (PLUNGER STYLE) (EFFECTIVE 2/6/17) | 139 |
| 90 DEG ELEVATING CALF PAD..... | 141 |
| FRONT MOUNT HANGER EXT..... | 142 |
| ADULT ANGLE-ADJ FOOTPLATE FRONT MOUNT..... | 143 |
| KIDS ANGLE ADJ FOOTPLATE FRONT MOUNT | 145 |
| EXTENSION MOUNT ELR & ALR (PLUNGER STYLE) (EFFECTIVE 2/6/17)..... | 147 |
| SWING IN-OUT EXT MOUNT ELR & ALR RETROFIT (PLUNGER STYLE) (EFFECTIVE 2/6/17) | 148 |
| SWING IN-OUT EXT MOUNT ELR REPLACEMENT PARTS (PLUNGER STYLE) (EFFECTIVE 2/6/17) | 149 |
| SWING IN-OUT ALR EXT MOUNT REPLACEMENT PARTS (PLUNGER STYLE) (EFFECTIVE 2/6/17) | 151 |
| ELR & ALR CALF PAD 14 -15" | 153 |
| ELR & ALR CALF PAD 16-20" | 154 |
| EXTENSION MOUNT FOOTPLATES..... | 154 |
| COMPOSITE FOOTPLATE..... | 155 |
| COMPOSITE ANGLE ADJUSTABLE FOOT PLATE | 159 |
| ADULT ALUMINUM ANGLE-ADJ FOOTPLATE EXT MOUNT..... | 162 |
| KIDS ANGLE ADJUSTABLE FOOTPLATE EXT MOUNT | 165 |
| ELR/ALR ALUMINUM FOOTPLATE | 167 |
| ARMRESTS AND RECEIVERS | 168 |
| ARMRESTS..... | 168 |
| PADDED SWING AWAY ARMREST | 169 |
| SINGLE POST HEIGHT ADJUSTABLE ARMREST | 170 |
| FLIP BACK HEIGHT ADJ ARMREST QXI..... | 172 |
| FLIP BACK HEIGHT ADJUSTABLE LITE ARMREST | 174 |
| DUAL POST ARMREST (TRANSFER)..... | 175 |
| RECEIVERS..... | 175 |
| PADDED SWING AWAY ARMREST RECEIVER..... | 176 |
| SINGLE POST ARMREST RECEIVER..... | 177 |
| SINGLE POST FLIP BACK ARMREST RECEIVER | 178 |
| FLIP BACK DUAL POST ARMREST RECEIVER..... | 179 |
| ACCESSORIES | 179 |
| ONE ARM DRIVE QXi..... | 180 |
| ONE ARM DRIVE QX..... | 181 |
| CRUTCH HOLDER | 182 |

| | |
|-----------------------------------------------------------|-----|
| PLASTIC SIDEGUARD | 183 |
| BACKPACKS AND SEAT POUCHES | 184 |
| SPOKE GUARDS | 185 |
| AIRCRAFT BUCKLE POSITIONING BELTS & ATTACHMENT KITS | 187 |
| AUTO BUCKLE POSITIONING BELT & ATTACHMENT KITS | 189 |
| QUICKIE CADDY | 191 |
| IMPACT GUARD NEOPRENE & GEL VELCRO PADS | 192 |
| JAY LOWER EXTREMITY S/A SUPPORT | 193 |
| OXYGEN TANK HOLDER Qxi | 194 |
| TIRE PUMP | 195 |

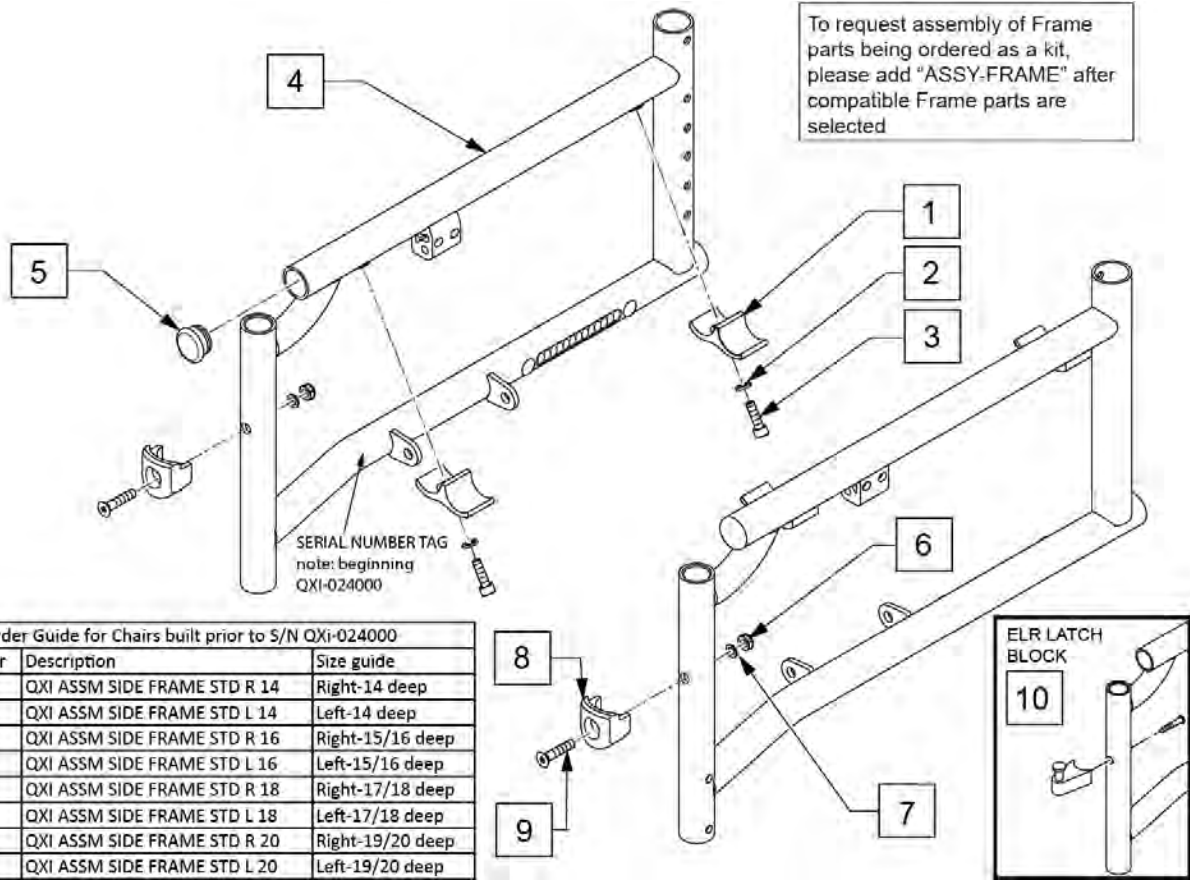
GLOSSARY OF ABBREVIATIONS

[04/02/2019]

Note: see Informations Panel for file.

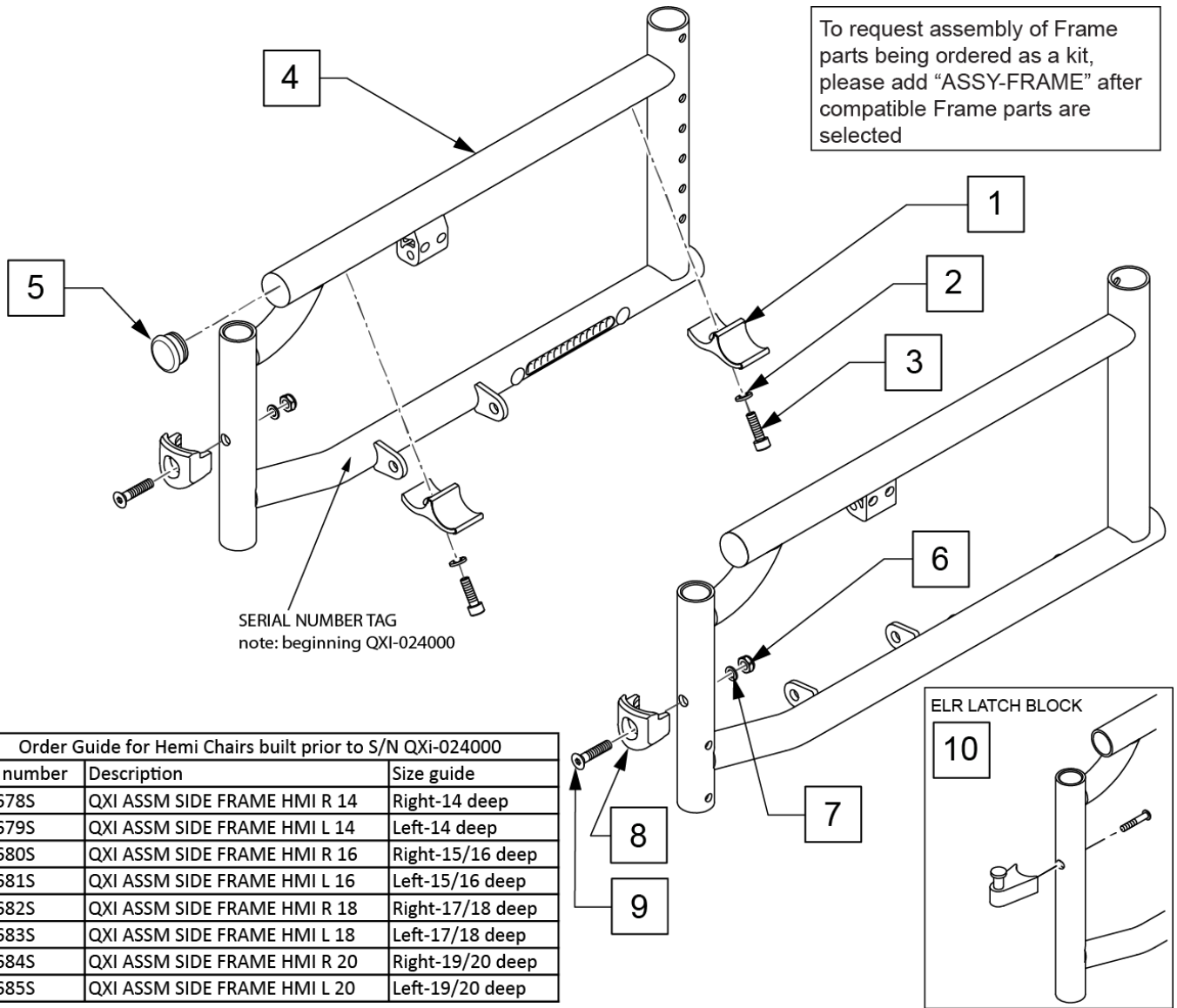
| | | | | |
|-----------------------------------------|--------------------------------------|-----------------------------------------------------------------|----------------------------------------------------|------------------------------------|
| 1AD One Arm Drive | CZ Cozy | INBRD Inboard | P1 Quickie P100 | RWD Rear Wheel Drive |
| AAA Adult Angle Adjustable | DAB Depth-adjustable Back | INC Incontinent | P2 Quickie P200 | SA Swing Away |
| AACM Angle Adjustable Center Mount | DB Dynamic Back | INH Inhibit | P3 Quickie P300 | S/A Swing Away |
| ABD Abductor | DBL Double | INORG Inorganic coating | P5 Quickie/Zippie P500 | S/F Side Frame |
| AC All Court | DC Deep Contour | INSRT Insert | PCB Pediatric Center of Gravity (AKA: Zippie Iris) | SCW Screw |
| AD Arm Drive | DL Desk Length | I/O Swing In Out | PCM Power Center Mount | SDLE Saddle |
| ADJ Adjustable | DP Dual Post Armrest | IRIS Intelligent Rotation in Space | PED Pediatric | SG Side Guard |
| ADPT Adapter | D-Post Dual Post Armrest | ISM Intelligent Seating Module | PEL Pelvic | SGTG Super Grip Thumb Guard |
| AE Air Exchange | D-PST Dual Post Armrest | JA Jay Active | PH Push Handle | SHCS Socket Head Cap Screw |
| AHAB ASAP II | DRP Drop (seat) | JNR Junior | PHIL Phillips | SHSS Socket Head Set Screw |
| ANG Angle | DRV Drive | KAA Kids Angle Adjustable | P/L Pin Lock | SHLDR Shoulder |
| ALR Articulating Legrest | DTT Diagnostic Test Tool | KDS Kids | PL Plated | SHT Short |
| ALUM Aluminum | DY Dynamic Back | KT Kit (usually consists of all mounting hardware for one side) | PLL Pull | SLD Solid |
| AMH Adjustable Mounting Hardware | EA Each | KVLR Kevlar | PLT Plate | SLNG Sting |
| ANO Anodized | ELR Elevating Legrest | KZ Quickie Kidz/Zippie Kidz | PLST Plastic | SLTD Slotted |
| ASAP Adjustable Seating and Positioning | EXT Extension | L Left | PLY Plywood | SLV Sleeve |
| ASL Adaptive Switch Laboratories | EXTND Extended | LAT Lateral | PNEU Pneumatic | SM Small |
| ASM Assembly (includes other parts) | F Folding Frame | LCK Lock | PNK Pink | SNGL Single |
| ASSM Assembly | FHCS Flat Head Cap Screw | LFH Left Front Horizontal | PNT Paint | SOC Socket |
| ASSMLY Assembly | FL Full Length | LFT Left | PNTD Painted | SPCR Spacer |
| ASSY Assembly | FLD Folding | LFV Left Front Vertical | POLY Polyurethane | SPEC CLR Specify Color |
| AT Anti-tip | FL FT Flip-up Footrest | LH Left Hand | POST Posterior | SPHA Single Post Height Adjustable |
| ATT Attachment | FLP Flip | LH Left Horizontal | PR Pressure Relieving | SPK Spoke |
| BB Basketball | FLRD Flared | LK Lock | PR Power Recline | SPR Super Grip Handrim |
| BC Breezy Chrome | FM Foam | LNG Long | PR Pair | SOZ Squeeze |
| BCK Back | FM Front Mount | LO Lift Off | (PR) Pair | SS Stainless Steel |
| BCKBRD Backboard | FNDR Fender | L/O Lift Off | PRE-ISC Pre-Ischial | ST Seat |
| BH Button Head | FPH Folding Push Handle | LP Loop | PROJ Projection | S/TAP Self Tapping |
| BHCS Button Head Cap Screw | FT Foot | LPS Loops | PRPL Purple | STD Standard |
| BKL Buckle | F/REST Footrest | LRG Large | PTL Partial | STL Style |
| BKRST Backrest | FRNT Front | LRH Left Rear Horizontal | PSH Push | STRLR Stroller |
| B-LOCK Back Lock | FT PLT Footplate | LRV Left Rear Vertical | PT Point | STRT Straight |
| BLD Build Up | FTRST Footrest | LS Low Sheer | PTTRN Pattern | SUP Support |
| BLK Black | F/UP Flip-up | LT Long Tab | PWR Power | SYS System |
| BLU Blue | FWD Front Wheel Drive | LT Natural Fit Lite Handrims | Q1 Quickie 1 | T Tab |
| BR Breezy | FXT Fixed | LTRL Lateral | Q2 Quickie 2 | TG Thumb Guard (std) |
| BRD Board | G8 Grade 8 higher grade = stronger | LUMB Lumbar | Q2HP Quickie 2 High Performance | THRD Threaded |
| BRNG Bearing | GP Quickie GP | LW Left Vertical | QC Quickie Carbon | Ti Titanium |
| BRKT Bracket | GPS Quickie GPS | LV Low | QR Quick Release | TL Tall |
| BSHNG Bushing | GPV Quickie GPV | LX Quickie LX | QRx Quickie RX | TLC Tilt Lift Comb |
| BTTN Button | GNRC Generic | LXI Quickie LXi | QTi Quickie Titanium | TLT Tilt |
| BTRY Battery | H Hole | MACH Machine | QT/QTS Quickie Tilt & Space | TNNS Tennis |
| BZ Breezy | HB High Brake | MECH Mechanism | QUAD Quadrant Pad | TS Tilt-in-Space |
| CAA Composite Angle Adjustable | HD Head or Heavy Duty | MED Medium | R Right | TTS Tilt-in-Space |
| CG Center of Gravity | H/D Heavy Duty | mm Millimeter | RCLNR Recliner | UNIV Universal |
| CGT Center of Gravity Tilt (AKA: IRIS) | HDRST Headrest | MINT Mount | REC Receiver | UNTHRD Unthreaded |
| CHRGR Charger | HDWR Hardware | MINTG Mounting | REG Regular | UPH Upholstery |
| CJSM Color Joystick Module | HEX Hexagon | MOD Modify or Modification | REL Release | VERT Vertical |
| CLMP Clamp | HH Hemi-Height or Hex Head | M/S Machine Screw | REV Reverse | W With |
| CLNCHR Clincher | HL Heel Loops | MWD Mid Wheel Drive | RH Right Hand | WD Wide |
| CLR Clear | HM High Mount | Nat.Fit Natural Fit Handrim | RH Right Horizontal | W/F Water Fall |
| COMP Complete | HNDL Handle | NAUG Naugahyde | RFH Right Front Horizontal | W/O Without |
| CMPST Composite | HNGR Hanger | NF Non-folding | RFV Right Front Vertical | WHL Wheel |
| CRM Chrome | HP High Pressure | NF Natural Fit Handrim | RNUT(S) Rivnut(s) | WLDMNT Weldment |
| C/S Cap Screw | HR Handrim | NFLT Natural Fit Lite Handrim | RoHS Restriction of Hazardous Substances | XS Cross Spoke |
| C-S Countersunk | HRDWR Hardware | NR Non-recessed | RR Rear | YLW Yellow |
| CSTR Caster | HRNSS Harness | OBLIQ Obliquity | RRH Right Rear Horizontal | Z2 Zippie 2 |
| CUSH Cushion | HS High Speed | OBLQ Oblique | RRV Right Rear Vertical | ZN Zinc |
| CV Conventional | HT Height or Heat Treated | OD Outer/Outside Dimension | RV Right Vertical | ZP Zippie |
| CVR Cover | ID Inner/Inside Dimension Diameter | O/S Old Style | RV Quickie Revolution | ZP2 Zippie 2 |
| CVRS Covers | IN In/Out (for swing in/out hangers) | OUTBRD Outboard | | |
| CYL Cylinder | | | | |

| Pos. | Item Number | Description | Remarks |
|------|-------------|---------------------------|--------------------------------------|
| | | GLOSSARY OF ABBREVIATIONS | see attachment in Informations Panel |



| Order Guide for Chairs built prior to S/N QXi-024000 | | |
|------------------------------------------------------|------------------------------|------------------|
| Part number | Description | Size guide |
| 159686S | QXI ASSM SIDE FRAME STD R 14 | Right-14 deep |
| 159687S | QXI ASSM SIDE FRAME STD L 14 | Left-14 deep |
| 159688S | QXI ASSM SIDE FRAME STD R 16 | Right-15/16 deep |
| 159689S | QXI ASSM SIDE FRAME STD L 16 | Left-15/16 deep |
| 159690S | QXI ASSM SIDE FRAME STD R 18 | Right-17/18 deep |
| 159691S | QXI ASSM SIDE FRAME STD L 18 | Left-17/18 deep |
| 159692S | QXI ASSM SIDE FRAME STD R 20 | Right-19/20 deep |
| 159677S | QXI ASSM SIDE FRAME STD L 20 | Left-19/20 deep |

| Pos. | Item Number | Description | Remarks |
|------|-------------|------------------------------|------------------------------|
| 2 | 107362 | WASHER SPLIT LOCK M6 ROHS | |
| 3 | 102263-005 | SHCS, M6X1X20, FULL, PL | |
| 5 | 561002 | 1" INSERT PLUG | |
| 1-3 | 120713 | SEAT RAIL SADDLE W/ HDWR | |
| 1-5 | 159686S | QXI ASSM SIDE FRAME STD R 14 | Right-14 deep |
| 1-5 | 159687S | QXI ASSM SIDE FRAME STD L 14 | Left-14 deep |
| 1-5 | 161169S | QXI ASSM SIDE FRAME STD R 15 | Right-15 |
| 1-5 | 161170S | QXI ASSM SIDE FRAME STD L 15 | Left-15 |
| 1-5 | 159688S | QXI ASSM SIDE FRAME STD R 16 | Right-16 deep |
| 1-5 | 159689S | QXI ASSM SIDE FRAME STD L 16 | Left-16 deep |
| 1-5 | 161171S | QXI ASSM SIDE FRAME STD R 17 | Right-17 |
| 1-5 | 161172S | QXI ASSM SIDE FRAME STD L 17 | Left-17 |
| 1-5 | 159690S | QXI ASSM SIDE FRAME STD R 18 | Right-18 deep |
| 1-5 | 159691S | QXI ASSM SIDE FRAME STD L 18 | Left-18 deep |
| 1-5 | 161173S | QXI ASSM SIDE FRAME STD R 19 | Right-19 |
| 1-5 | 161174S | QXI ASSM SIDE FRAME STD L 19 | Left-19 |
| 1-5 | 159692S | QXI ASSM SIDE FRAME STD R 20 | Right-20 deep |
| 1-5 | 159677S | QXI ASSM SIDE FRAME STD L 20 | Left-20 deep |
| 6-9 | 119514 | LATCH RECEIVER KIT | For Swing in/out hangers |
| 6 | 104381 | NUT HEX NYLOCK M6X1.0 | |
| 7 | 104414 | WAVE WASHER 6 MM | |
| 9 | 103500-010 | FHCSM6X1X35FULLNP | |
| 10 | 107491 | LATCH STUD KIT | For ELR only |
| | | Ship assembled part # | Use with multiple assemblies |
| | ASSY-FRAME | FRAME ASSY REQUIRED | add with Frame kit |



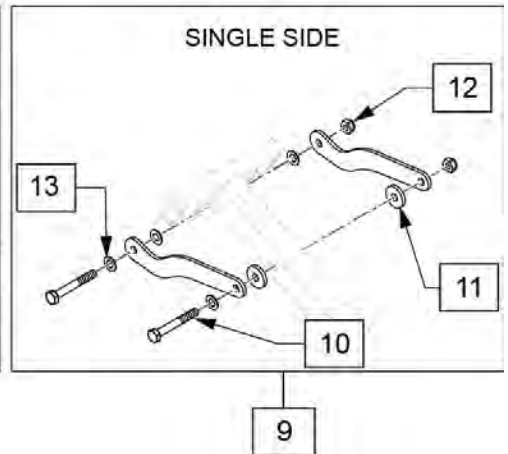
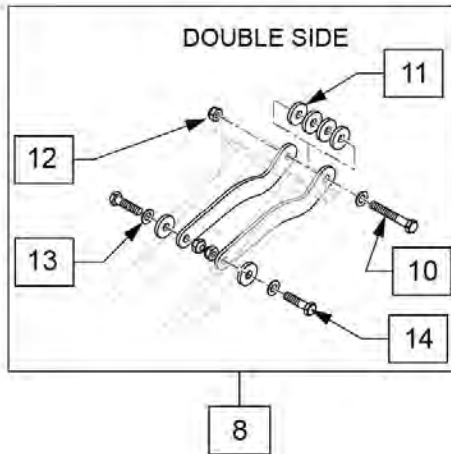
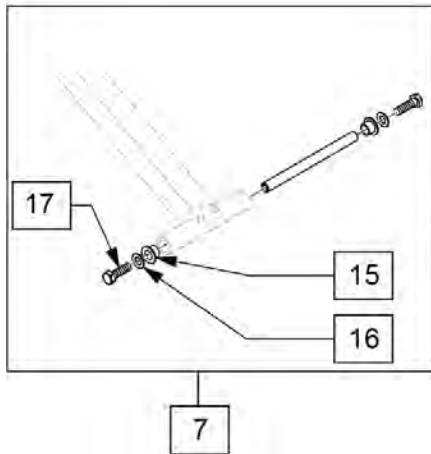
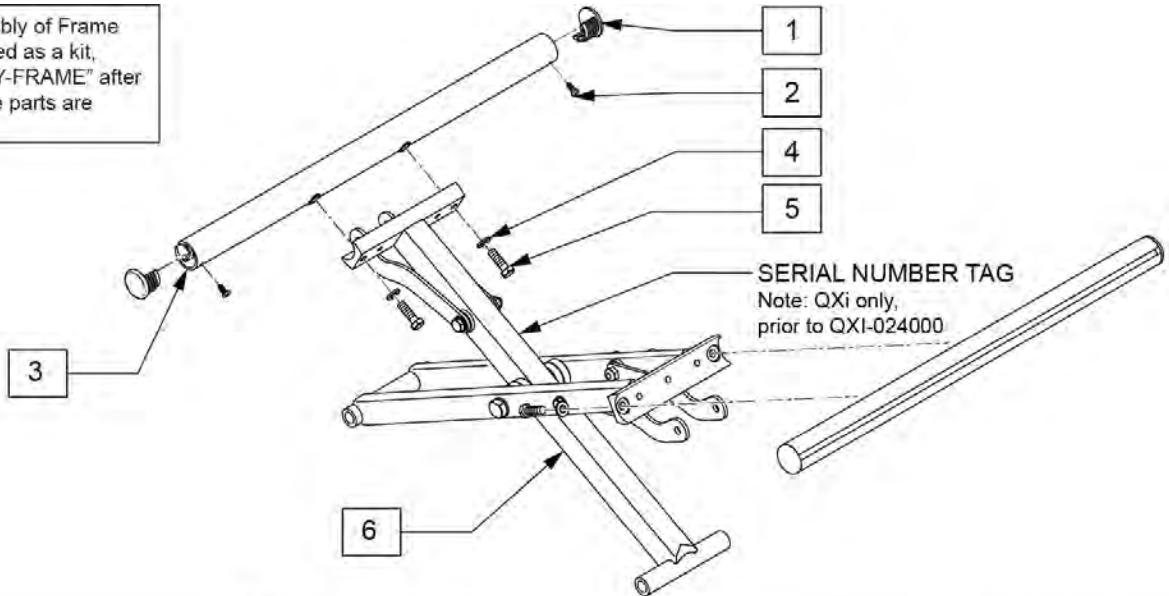
| Order Guide for Hemi Chairs built prior to S/N QXi-024000 | | |
|-----------------------------------------------------------|------------------------------|------------------|
| Part number | Description | Size guide |
| 159678S | QXI ASSM SIDE FRAME HMI R 14 | Right-14 deep |
| 159679S | QXI ASSM SIDE FRAME HMI L 14 | Left-14 deep |
| 159680S | QXI ASSM SIDE FRAME HMI R 16 | Right-15/16 deep |
| 159681S | QXI ASSM SIDE FRAME HMI L 16 | Left-15/16 deep |
| 159682S | QXI ASSM SIDE FRAME HMI R 18 | Right-17/18 deep |
| 159683S | QXI ASSM SIDE FRAME HMI L 18 | Left-17/18 deep |
| 159684S | QXI ASSM SIDE FRAME HMI R 20 | Right-19/20 deep |
| 159685S | QXI ASSM SIDE FRAME HMI L 20 | Left-19/20 deep |

| Pos. | Item Number | Description | Remarks |
|------|-------------|------------------------------|---------------|
| 2 | 107362 | WASHER SPLIT LOCK M6 ROHS | |
| 3 | 102263-005 | SHCS, M6X1X20, FULL, PL | |
| 5 | 561002 | 1" INSERT PLUG | |
| 1-5 | 159678S | QXI ASSM SIDE FRAME HMI R 14 | Right-14 deep |
| 1-5 | 159679S | QXI ASSM SIDE FRAME HMI L 14 | Left-14 deep |
| 1-5 | 161189S | QXI ASSM SIDE FRAME HMI R 15 | Right-15 |
| 1-5 | 161190S | QXI ASSM SIDE FRAME HMI L 15 | Left-15 |
| 1-5 | 159680S | QXI ASSM SIDE FRAME HMI R 16 | Right-16 deep |
| 1-5 | 159681S | QXI ASSM SIDE FRAME HMI L 16 | Left-16 deep |
| 1-5 | 161191S | QXI ASSM SIDE FRAME HMI R 17 | Right-17 |
| 1-5 | 161192S | QXI ASSM SIDE FRAME HMI L 17 | Left-17 |
| 1-5 | 159682S | QXI ASSM SIDE FRAME HMI R 18 | Right-18 deep |
| 1-5 | 159683S | QXI ASSM SIDE FRAME HMI L 18 | Left-18 deep |
| 1-5 | 161193S | QXI ASSM SIDE FRAME HMI R 19 | Right-19 |
| 1-5 | 161194S | QXI ASSM SIDE FRAME HMI L 19 | Left-19 |
| 1-5 | 159684S | QXI ASSM SIDE FRAME HMI R 20 | Right-20 deep |

| Pos. | Item Number | Description | Remarks |
|------|-------------|------------------------------|------------------------------|
| 1-5 | 159685S | QXI ASSM SIDE FRAME HMI L 20 | Left-20 deep |
| 6-9 | 119514 | LATCH RECEIVER KIT | For Swing in/out hangers |
| 6 | 104381 | NUT HEX NYLOCK M6X1.0 | |
| 7 | 104414 | WAVE WASHER 6 MM | |
| 9 | 103500-010 | FHCSM6X1X35FULLNP | |
| 10 | 107491 | LATCH STUD KIT | For ELR only |
| 1-3 | 120713 | SEAT RAIL SADDLE W/ HDWR | |
| | | Ship assembled part # | Use with multiple assemblies |
| | ASSY-FRAME | FRAME ASSY REQUIRED | add with Frame kit |

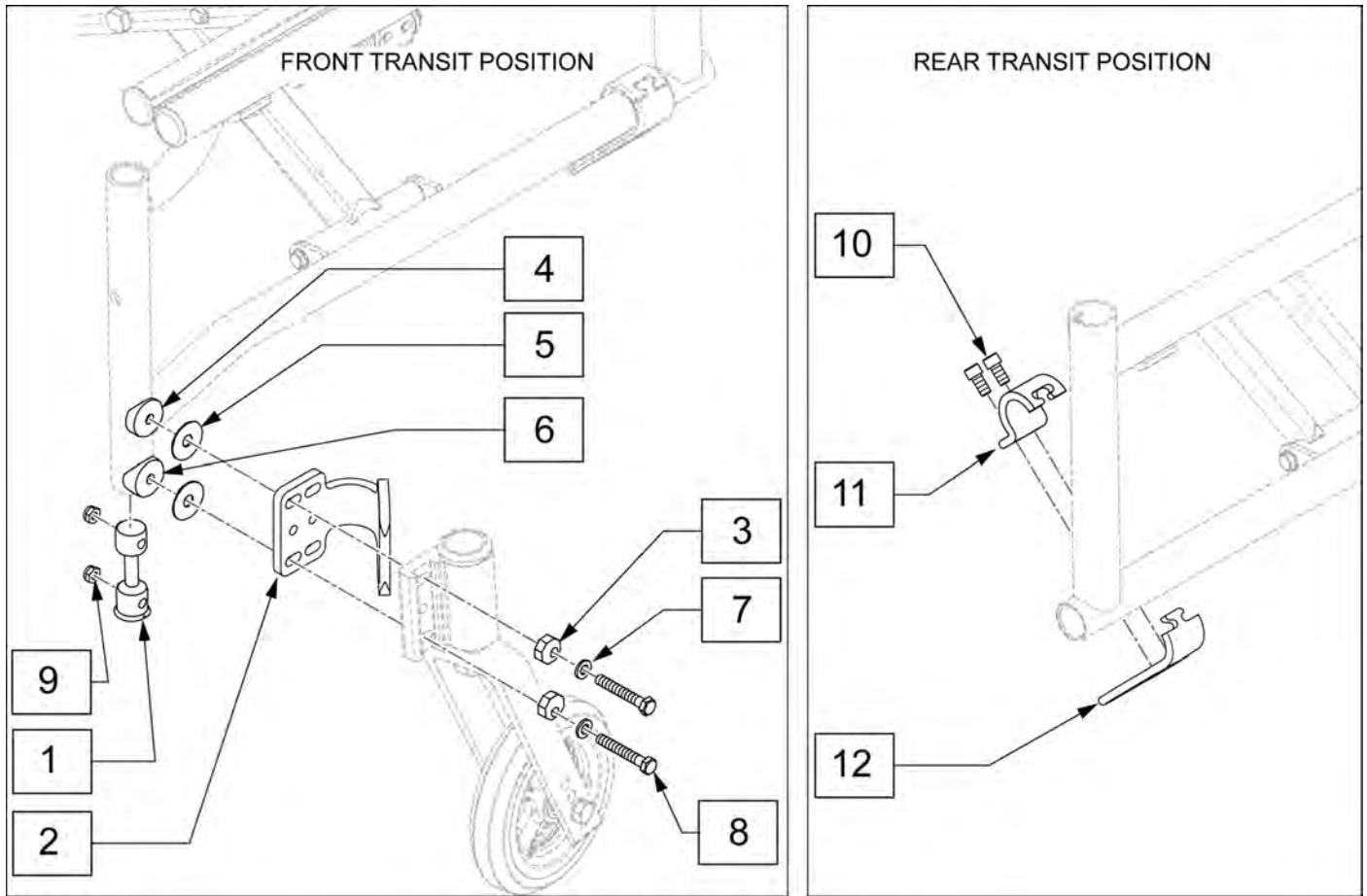
NOTE: Jay Duo is not compatible with the QXi due to cross brace issues.

To request assembly of Frame parts being ordered as a kit, please add "ASSY-FRAME" after compatible Frame parts are selected

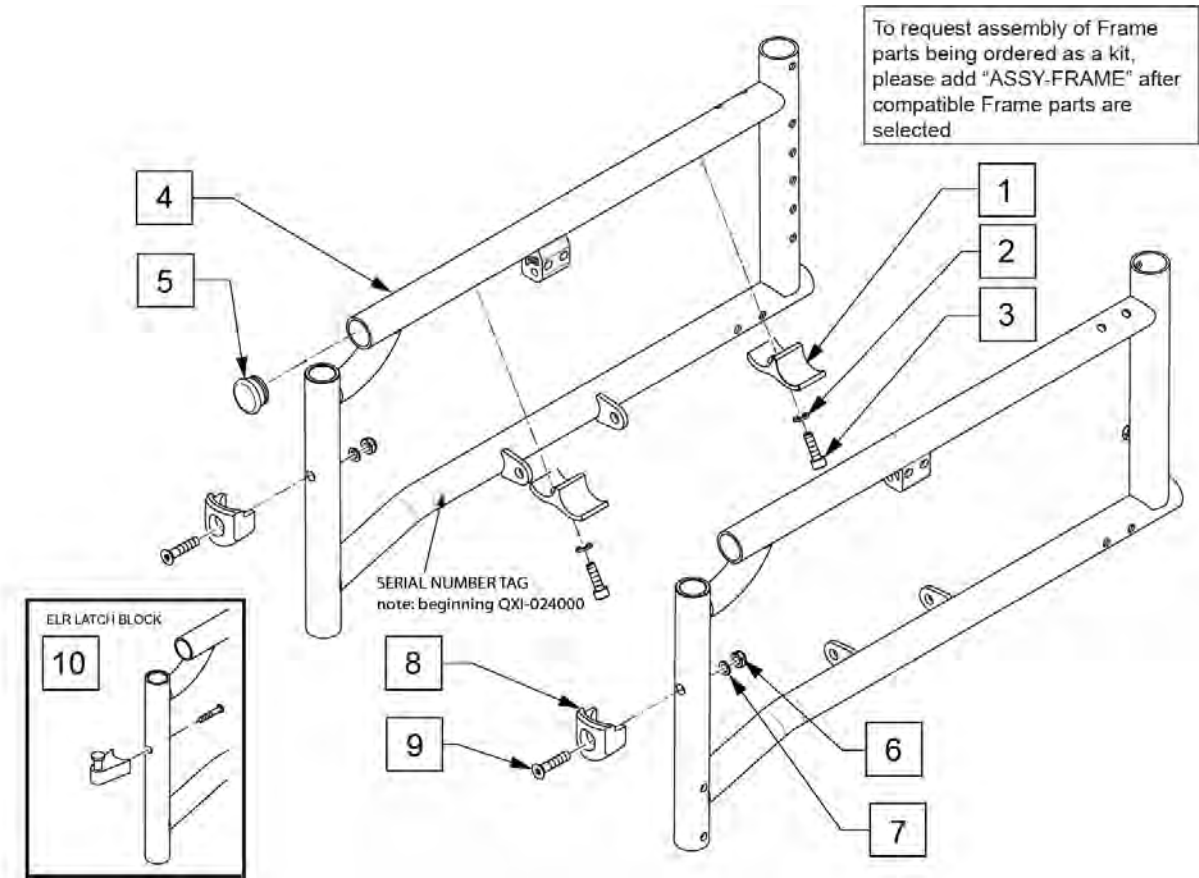


| Pos. | Item Number | Description | Remarks |
|------|-------------|-------------------------------------------------|----------|
| 1,2 | 108117 | SEAT RAIL END PLUG KIT | Set of 4 |
| 2 | 109819 | SCREW #6 X 1/4 SELF TAPPING PHILIPS PAN HD ROHS | |
| 1-5 | 120887 | SEAT RAIL 14 DP W/HDWR | |
| 1-5 | 120888 | SEAT RAIL 15 DP W/HDWR | |
| 1-5 | 120889 | SEAT RAIL 16 DP W/HDWR | |
| 1-5 | 120890 | SEAT RAIL 17 DP W/HDWR | |
| 1-5 | 120891 | SEAT RAIL 18 DP W/HDWR | |
| 1-5 | 120892 | SEAT RAIL 19 DP W/HDWR | |
| 1-5 | 120893 | SEAT RAIL 20 DP W/HDWR | |
| 4 | 106944 | WASHER FLAT THIN AN 1/4 ROHS | |
| 5 | 106995 | HHCS M6X1X16 PL | |
| 6 | 118394 | ASSM CROSS BRACE 14 | |
| 6 | 118395 | ASSM CROSS BRACE 15 | |
| 6 | 118396 | ASSM CROSS BRACE 16 | |
| 6 | 118397 | ASSM CROSS BRACE 17 | |

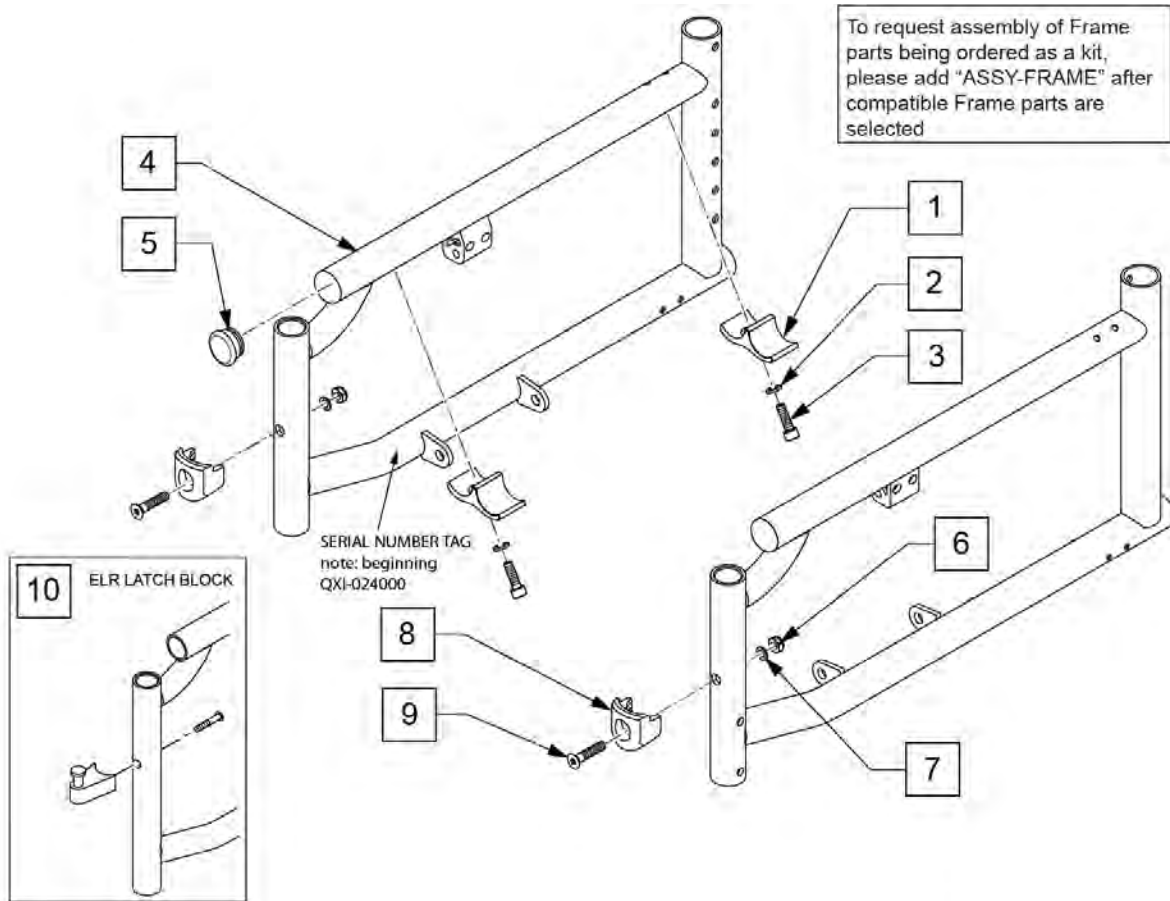
| Pos. | Item Number | Description | Remarks |
|------|-------------|-------------------------------|------------------------------|
| 6 | 118398 | ASSM CROSS BRACE 18 | |
| 6 | 118399 | ASSM CROSS BRACE 19 | |
| 6 | 118400 | ASSM CROSS BRACE 20 | |
| 7 | 120717 | X-BRACE LWR HDWR EA | |
| 8 | 120718 | X-BRACE DBL SDE HDWR 14W | |
| 8 | 120719 | X-BRACE DBL SDE HDWR 15W | |
| 8 | 120720 | X-BRACE DBL SDE HDWR 16W | |
| 8 | 120721 | X-BRACE DBL SDE HDWR 17W | |
| 8 | 120722 | X-BRACE DBL SDE HDWR 18W | |
| 8 | 120723 | X-BRACE DBL SDE HDWR 19W | |
| 8 | 120724 | X-BRACE DBL SDE HDWR 20W | |
| 9 | 120725 | X-BRACE SNGL SDE HDWR 14W | |
| 9 | 120726 | X-BRACE SNGL SDE HDWR 15W | |
| 9 | 120727 | X-BRACE SNGL SDE HDWR 16W | |
| 9 | 120728 | X-BRACE SNGL SDE HDWR 17W | |
| 9 | 120729 | X-BRACE SNGL SDE HDWR 18W | |
| 9 | 120730 | X-BRACE SNGL SDE HDWR 19W | |
| 9 | 120731 | X-BRACE SNGL SDE HDWR 20W | |
| 10 | 118665 | HHCS M6X1X45 PART NP | |
| 11 | 561026 | 3/4" WASHER 1/4" HOLE | |
| 12 | 104381 | NUT HEX NYLOCK M6X1.0 | |
| 13 | 106943 | WASHER FLAT AN 1/4 ROHS | |
| 14 | 104396 | HHCS M6X1X30 PART NP | |
| 15 | 050139 | BEARING FLANGE 8MMIDX7.5MM LG | |
| 16 | 106944 | WASHER FLAT THIN AN 1/4 ROHS | |
| 17 | 106995 | HHCS M6X1X16 PL | |
| | | Ship assembled part # | Use with multiple assemblies |
| | ASSY-FRAME | FRAME ASSY REQUIRED | add with Frame kit |



| Pos. | Item Number | Description |
|------|-------------|-------------------------------|
| 1 | 119029 | CASTER MOUNT NUT RETAINER |
| 3 | 119231 | WASHER ECCENTRIC 6MM FLAT |
| 4 | 561086 | 1" HALF SADDLE 1/4" HOLE |
| 5 | 113268 | WASHER NYLON 1IN OD X .312 ID |
| 6 | 561004 | 1" SADDLE 1/4" HOLE |
| 7 | 107383 | WASHER FLAT M6 ROHS |
| 8 | 119219 | HHCS M6X1X45 SHLDR NP |
| 9 | 104381 | NUT HEX NYLOCK M6X1.0 |
| 10 | 107350 | SHCS 1/4-28 X 1/2 PL ROHS |
| 1-12 | 120751 | TRANSIT KIT QXI |



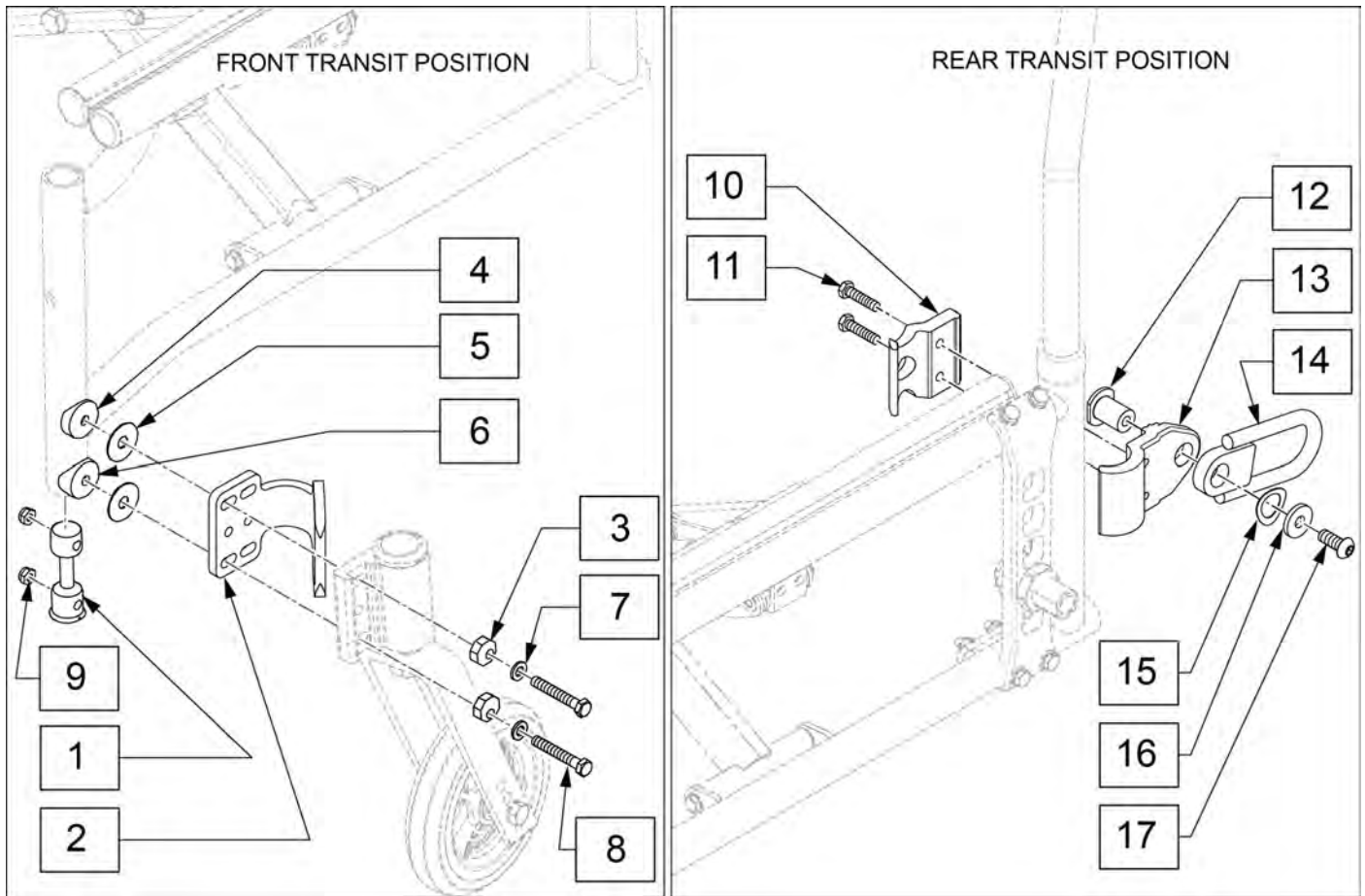
| Pos. | Item Number | Description | Remarks |
|------|-------------|------------------------------|------------------------------|
| 2 | 107362 | WASHER SPLIT LOCK M6 ROHS | |
| 3 | 102263-005 | SHCS, M6X1X20, FULL, PL | |
| 5 | 561002 | 1" INSERT PLUG | |
| 1-3 | 120713 | SEAT RAIL SADDLE W/ HDWR | |
| 1-5 | 161175S | QX ASSM SIDE FRAME STD R 14 | Right-14" deep |
| 1-5 | 161176S | QX ASSM SIDE FRAME STD L 14 | Left-14" deep |
| 1-5 | 161177S | QX ASSM SIDE FRAME STD R 15 | Right-15" deep |
| 1-5 | 161178S | QX ASSM SIDE FRAME STD L 15 | Left-15" deep |
| 1-5 | 161179S | QX ASSM SIDE FRAME STD R 16 | Right-16" deep |
| 1-5 | 161180S | QX ASSM SIDE FRAME STD L 16 | Left-16" deep |
| 1-5 | 161181S | QX ASSM SIDE FRAME STD R 17 | Right-17" deep |
| 1-5 | 161182S | QX ASSM SIDE FRAME STD L 17 | Left-17" deep |
| 1-5 | 161183S | QX ASSM SIDE FRAME STD R 18" | Right-18" deep |
| 1-5 | 161184S | QX ASSM SIDE FRAME STD L 18" | Left-18" deep |
| 1-5 | 161185S | QX ASSM SIDE FRAME STD R 19" | Right-19" deep |
| 1-5 | 161186S | QX ASSM SIDE FRAME STD L 19" | Left-19" deep |
| 1-5 | 161187S | QX ASSM SIDE FRAME STD R 20" | Right-20" deep |
| 1-5 | 161188S | QX ASSM SIDE FRAME STD L 20" | Left-20" deep |
| 6-9 | 119514 | LATCH RECEIVER KIT | For Swing in/out hangers |
| 6 | 104381 | NUT HEX NYLOCK M6X1.0 | |
| 7 | 104414 | WAVE WASHER 6 MM | |
| 9 | 103500-010 | FHCSM6X1X35FULLNP | |
| 10 | 107491 | LATCH STUD KIT | For ELR only |
| | | Ship assembled part # | Use with multiple assemblies |
| | ASSY-FRAME | FRAME ASSY REQUIRED | add with Frame kit |



| Pos. | Item Number | Description | Remarks |
|------|-------------|-----------------------------|------------------------------|
| 2 | 107362 | WASHER SPLIT LOCK M6 ROHS | |
| 3 | 102263-005 | SHCS, M6X1X20, FULL, PL | |
| 5 | 561002 | 1" INSERT PLUG | |
| 1-5 | 161195S | QX ASSM SIDE FRAME HMI R 14 | Right-14 deep |
| 1-5 | 161196S | QX ASSM SIDE FRAME HMI L 14 | Left-14 deep |
| 1-5 | 161197S | QX ASSM SIDE FRAME HMI R 15 | Right-15 |
| 1-5 | 161198S | QX ASSM SIDE FRAME HMI L 15 | Left-15 |
| 1-5 | 161199S | QX ASSM SIDE FRAME HMI R 16 | Right-16 deep |
| 1-5 | 161200S | QX ASSM SIDE FRAME HMI L 16 | Left-16 deep |
| 1-5 | 161201S | QX ASSM SIDE FRAME HMI R 17 | Right-17 |
| 1-5 | 161202S | QX ASSM SIDE FRAME HMI L 17 | Left-17 |
| 1-5 | 161203S | QX ASSM SIDE FRAME HMI R 18 | Right-18 deep |
| 1-5 | 161204S | QX ASSM SIDE FRAME HMI L 18 | Left-18 deep |
| 1-5 | 161205S | QX ASSM SIDE FRAME HMI R 19 | Right-19 |
| 1-5 | 161206S | QX ASSM SIDE FRAME HMI L 19 | Left-19 |
| 1-5 | 161207S | QX ASSM SIDE FRAME HMI R 20 | Right-20 deep |
| 1-5 | 161208S | QX ASSM SIDE FRAME HMI L 20 | Left-20 deep |
| 6-9 | 119514 | LATCH RECEIVER KIT | For Swing in/out hangers |
| 6 | 104381 | NUT HEX NYLOCK M6X1.0 | |
| 7 | 104414 | WAVE WASHER 6 MM | |
| 9 | 103500-010 | FHCSM6X1X35FULLNP | |
| 10 | 107491 | LATCH STUD KIT | For ELR only |
| 1-3 | 120713 | SEAT RAIL SADDLE W/ HDWR | |
| | | Ship assembled part # | Use with multiple assemblies |

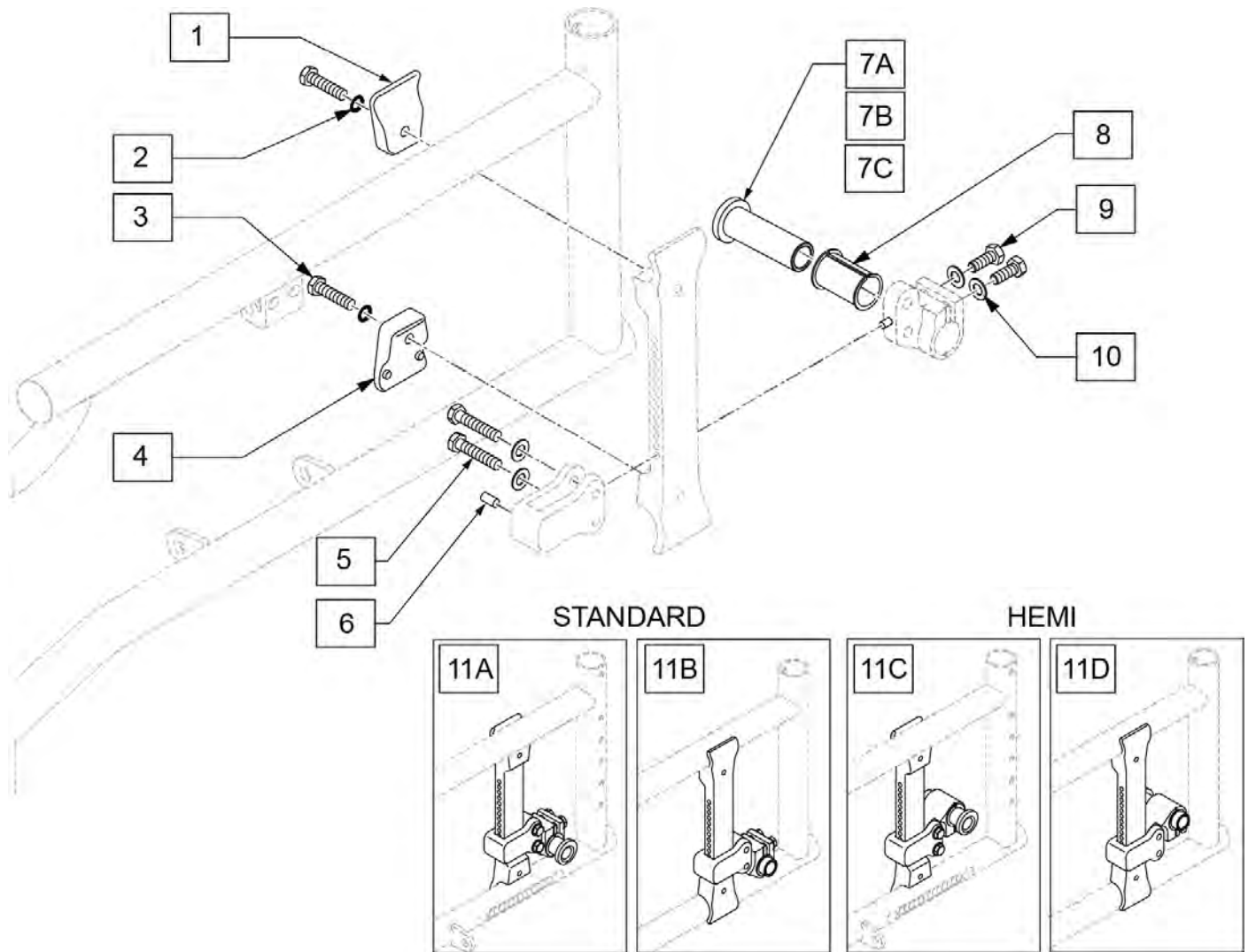
| Pos. | Item Number | Description | Remarks |
|------|-------------|---------------------|--------------------|
| | ASSY-FRAME | FRAME ASSY REQUIRED | add with Frame kit |

Note: Transit is available only on the QXI for U.S. chairs.



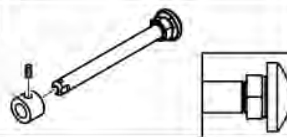

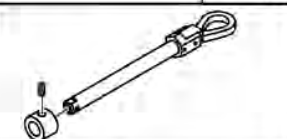



| Pos. | Item Number | Description | Remarks |
|-----------------|-------------|--------------------------------|---------|
| 10 | 134050 | TRANSIT CLAMP INSIDE | |
| 13 | 134049 | TRANSIT CLAMP OUTSIDE | |
| 14 | 126349 | TRANSIT PIVOT REAR PLATE WELDM | |
| 3-9,11,12,15-17 | 161223 | TRANSIT FASTENER KIT | 2 SIDES |
| 1-17 | 161224 | WC19 TRANSIT KIT QXI | |

Note: Axle Sleeves (p/n 129777 & 129778) are retrofittable to prior to QXi chairs.

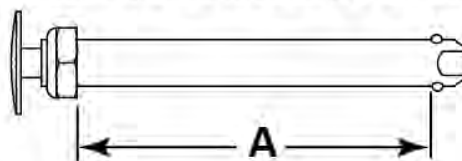


| Pos. | Item Number | Description | Remarks |
|------|-------------|------------------------------|----------------------------------------------------------------------|
| 1 | 118461 | INDEXING AP UPPER CLAMP | |
| 2 | 119712 | WASHER SERRATED 1/4" | |
| 3 | 118194 | HHCS M6 x 1 x 25 PL | |
| 4 | 118462 | INDEXING AP LOWER CLAMP | |
| 5 | 107685 | HHCS M6X1X30 PART NP | not sold separately; only available in 11A-11D kits |
| 6 | 242943 | SET SCREW M6 X 8MM FLAT TIP | not sold separately; only available in 11A-11D kits |
| 7A | 129777 | QXI AXLE SLEEVE 0 DEG | |
| 7B | 129778 | QXI AXLE SLEEVE 3 DEG | |
| 7C | 118466 | INDEXING AP AXLE SLEEVE | STD on QXI model & adj camber 0D or 3D |
| 8 | 118465 | INDEXING AP CAMBER SLEEVE | |
| 9 | 106995 | HHCS M6X1X16 PL | |
| 10 | 106944 | WASHER FLAT THIN AN 1/4 ROHS | |
| 11A | 119708 | ASSEMBLY AXLE PLATE STD R | Right w/ Adj Camber (0D/3D); order clamps 120883 & 120884 separately |
| 11B | 119709 | ASSEMBLY AXLE PLATE STD L | Left w/ Adj Camber (0D/3D); order clamps 120883 & 120884 separately |
| 11A | 158682 | AP ASSM STD RH 0DEG CMBR | Right Fixed 0D Camber; order clamps 120883 & 120884 separately |

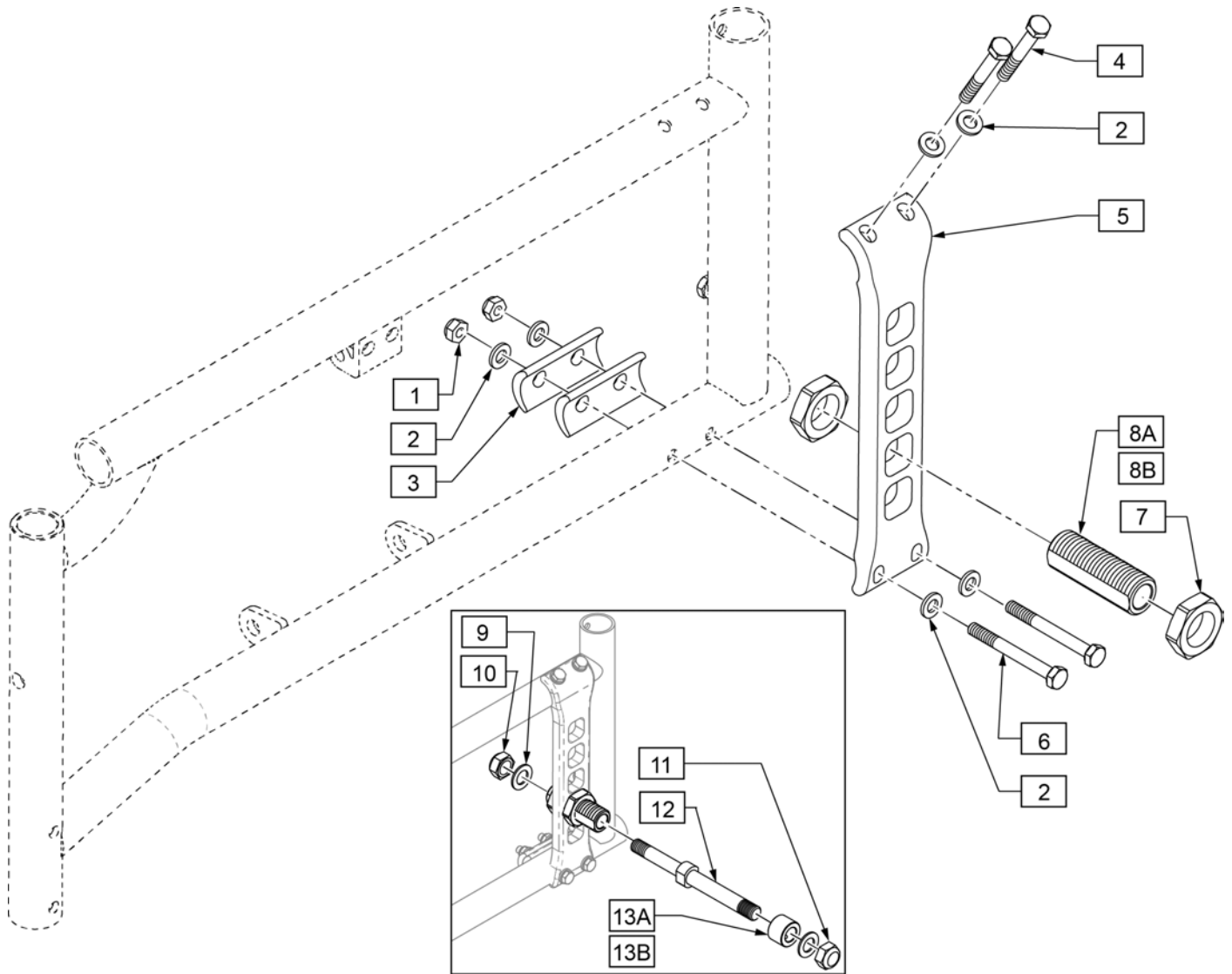
| Pos. | Item Number | Description | Remarks |
|------|-------------|----------------------------|---------------------------------------------------------------------------|
| 11B | 158685 | AP ASSM STD LH 0DEG CMBR | Left Fixed 0D Camber; order clamps 120883 & 120884 separately |
| 11A | 158683 | AP ASSM STD RH 3DEG CMBR | Right Fixed 3D Camber; order clamps 120883 & 120884 separately |
| 11B | 158686 | AP ASSM STD LH 3 DEG CMBR | Left Fixed 3D Camber; order clamps 120883 & 120884 separately |
| 11C | 119710 | ASSEMBLY AXLE PLATE HEMI R | Right Hemi w/ Adj Camber (0D/3D); order clamps 120883 & 120884 separately |
| 11D | 119711 | ASSEMBLY AXLE PLATE HEMI L | Left Hemi w/ Adj Camber (0D/3D); order clamps 120883 & 120884 separately |
| 11C | 158688 | AP ASSM HEMI RH 0DEG CMBR | Right Hemi Fixed 0D Camber; order clamps 120883 & 120884 separately |
| 11D | 158691 | AP ASSM HEMI LH 0DEG CMBR | Left Hemi Fixed 0D Camber; order clamps 120883 & 120884 separately |
| 11C | 158689 | AP ASSM HEMI RH 3DEG CMBR | Right Hemi Fixed 3D Camber; order clamps 120883 & 120884 separately |
| 11D | 158692 | AP ASSM HEMI LH 3DEG CMBR | Left Hemi Fixed 3D Camber; order clamps 120883 & 120884 separately |
| 1-3 | 120883 | TOP INDEX AXLE PLT CLMP | |
| 2-4 | 120884 | BTM INDEX AXLE PLT CLMP | |

| Wheel Type | Axle Type | | Axle P/N | Spacer P/N |
|--------------------------------------------|--------------------|------------------------------------------------------------------------------------------|-----------------------------------------|--------------------------------------------------------------------------------------------------|
| 6 Spoke Mag | Quick Release | 1A  | 922356 Includes Spacer A = 4 3/4" | 2A  920117 |
| | Quad Quick Release | 1B  | 920172 Includes Spacer A = 4 3/4" | 2A  920117 |
| Lite Spoke, One Arm Drive Lite Spoke | Quick Release | 1C  | 107268 A = 4 1/4" | N/A |
| 5 Spoke Mag | Quick Release | 1D  | 109385 A = 4 1/2" | N/A |

Quick Release Measuring Guide

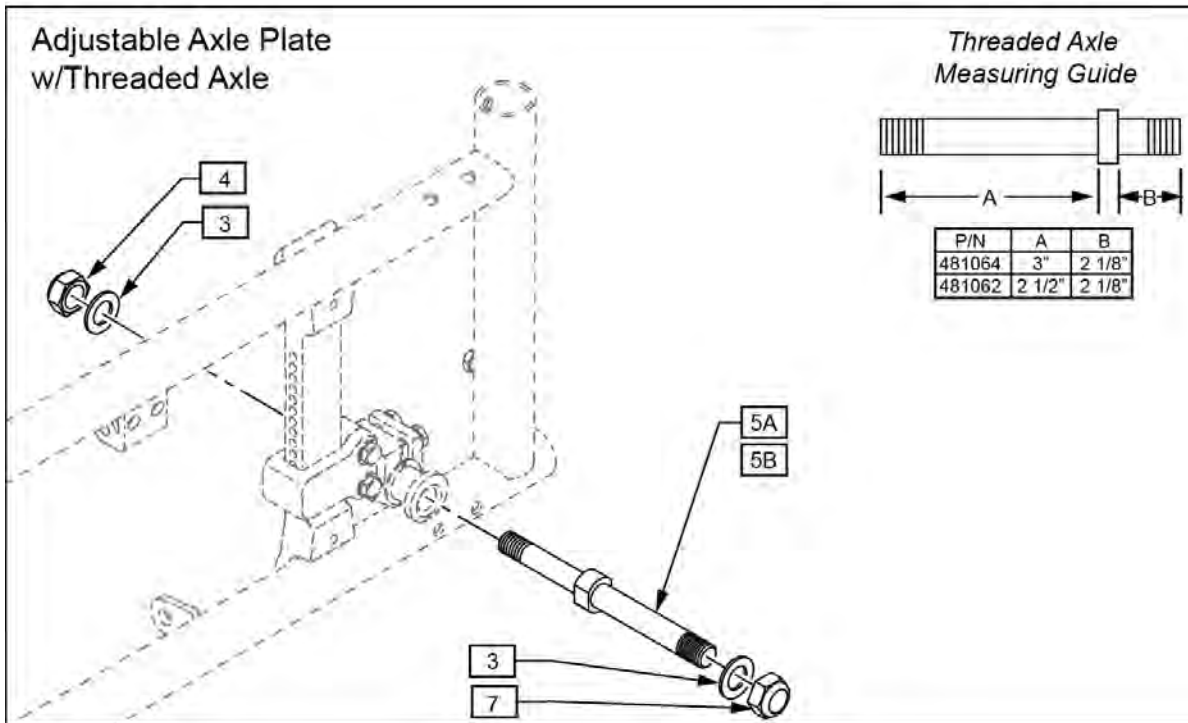
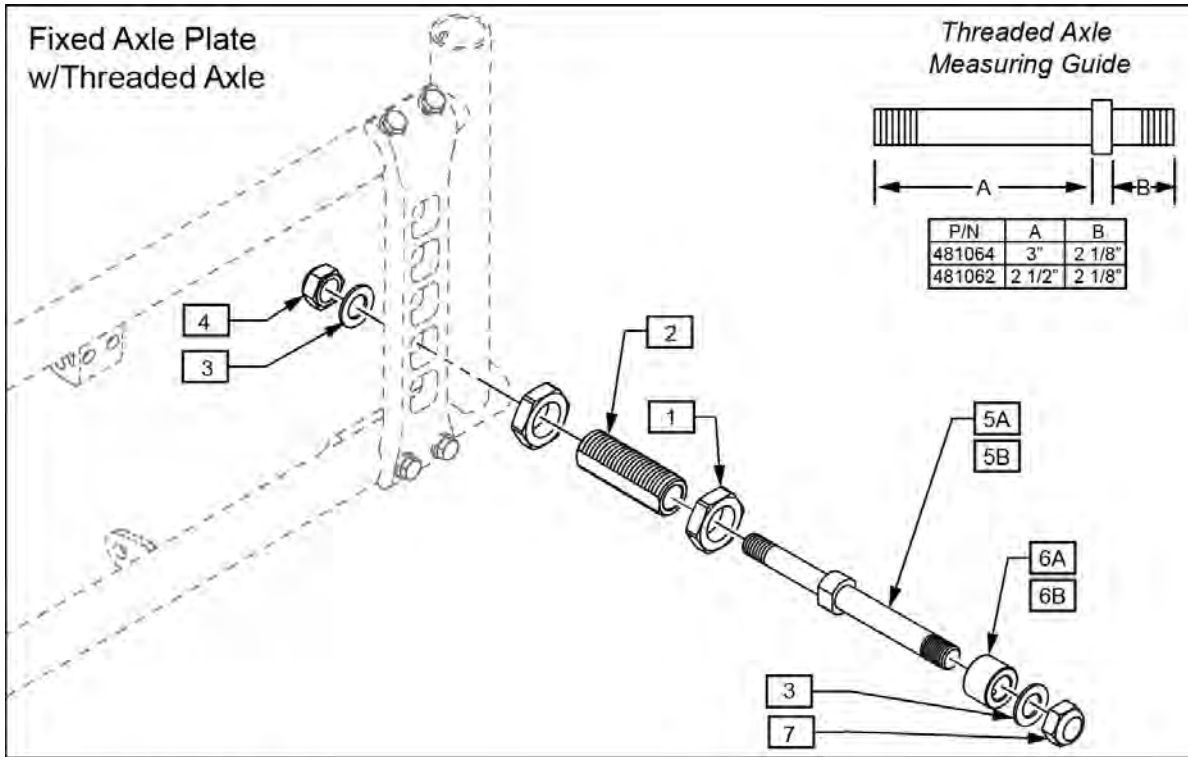


| Pos. | Item Number | Description | Remarks |
|------|-------------|----------------------------------|-----------------|
| 1A | 922356 | QR AXLE BIG BUTTON W/SPACER | includes spacer |
| 1B | 922170 | QR AXLE W/QUAD NUT PUSH BUTTON | |
| 1C | 107268 | QR AXLE AND NUT SHORT BIG BUTTON | |
| 1D | 109385 | QR AXLE/NUT LONG BG BTTN | |
| 2A | 920117 | MAG SPACER 6S W/SET SCREW | |

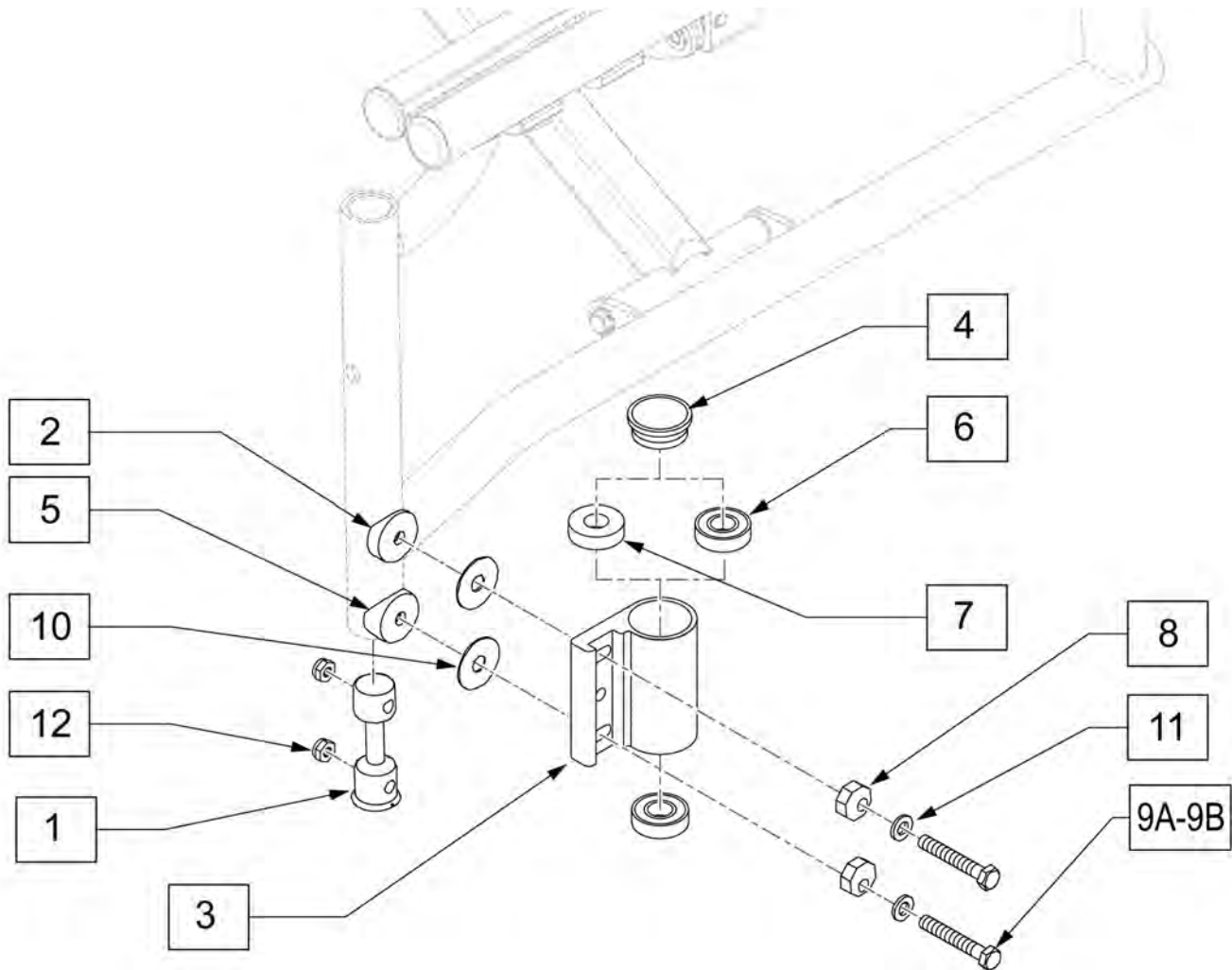


| Pos. | Item Number | Description | Remarks |
|---------|-------------|-------------------------------|----------------------------|
| 1 | 104381 | NUT HEX NYLOCK M6X1.0 | |
| 2 | 106943 | WASHER FLAT AN 1/4 | |
| 3 | 104008 | CAMBER SPACER | |
| 4 | 118665 | HHCS M6X1X45 PART NP | |
| 5 | 134137 | FIXED AXLE PLATE | |
| 6 | 118669 | HHCS M6X1X55 PART NP | |
| 7 | 104195 | NUT JAM ALUMINUM 20MM X 1.5 | |
| 8A | 104196 | AXLE SLEEVE 20MM NONADJ | used w/Quick Release Axles |
| 8B | 134660 | AXLE SLEEVE SS 7/16 ID M20 OD | used w/Threaded Axles |
| 9 | 106949 | WASHER FLAT AN 1/2 | |
| 10 | 202223 | 7/16-20 NYLOCK NUT THIN | |
| 11 | 106940 | NUT NYLOCK THIN 1/2-20 | |
| 12 | 481064 | REAR AXLE SPOKE THREADED BR | |
| 13A | 920117 | MAG SPACER 6S W/SET SCREW | used w/ Mag Wheel |
| 13B | 483058 | 1 AD WHEEL SPACER | used w/Spoke Wheel |
| 7,8A | 161225 | AXLE SLEEVE W/NUTS | One side |
| 1,2,4,6 | 161226 | REPLACEMENT FASTENERS FXD | One side |

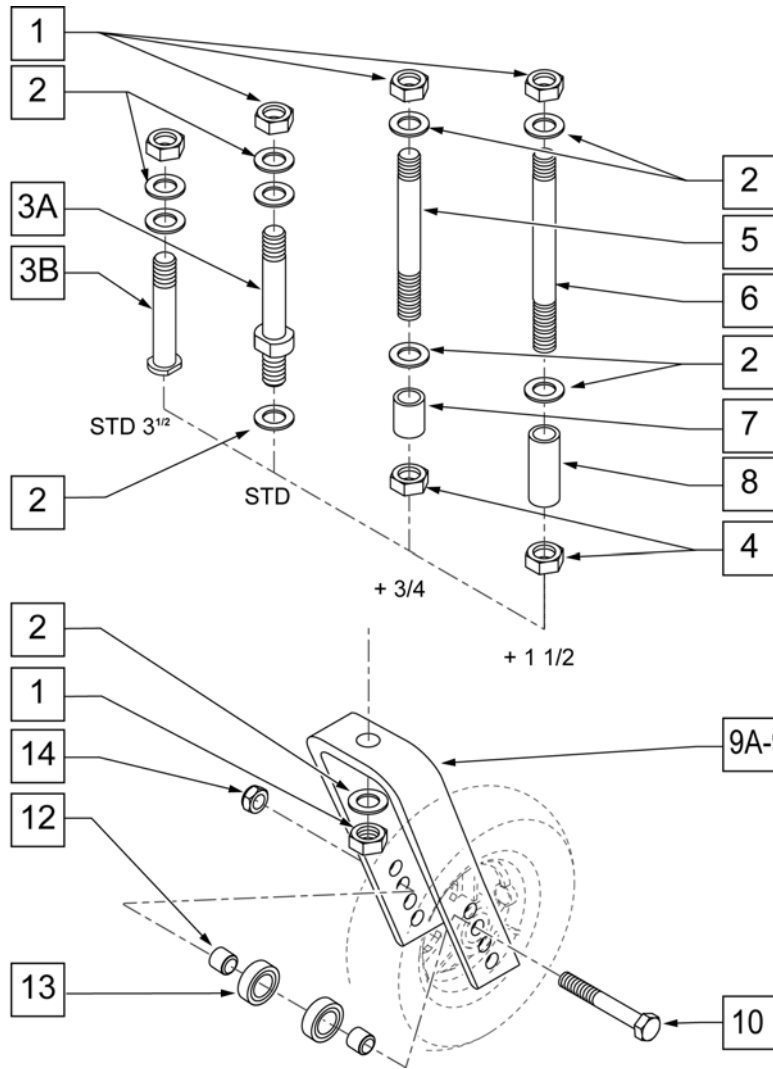
| Pos. | Item Number | Description | Remarks |
|-----------------|--------------------|-----------------------------|----------------|
| 1-7,8A | 161227 | FIXED AXLE REPLACEMENT ASSM | One side |
| 1-7,8B,9-12,13A | 161228 | BOLT ON AXLE ASSM MAG | |
| 1-7,8B,9-12,13B | 161229 | BOLT ON AXLE ASSM SPOKE | |



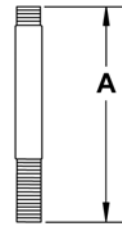
| Pos. | Item Number | Description | Remarks |
|-------------|-------------|--------------------------------|---------------------------------------------------|
| 1 | 104195 | NUT JAM ALUMINUM 20MM X 1.5 | |
| 2 | 134660 | AXLE SLEEVE SS 7/16 ID M20 OD | |
| 3 | 263120 | 7/16 AN WASHER | |
| 4 | 202223 | 7/16-20 NYLOCK NUT THIN | |
| 5A | 481062 | REAR AXLE MAG THREADED BR/LXI | used w/ Mag Wheel |
| 5B | 481064 | REAR AXLE SPOKE THREADED BR | used w/Spoke Wheel |
| 6A | 920117 | MAG SPACER 6S W/SET SCREW | used w/ Mag Wheel |
| 6B | 483058 | 1 AD WHEEL SPACER | used w/Spoke Wheel |
| 7 | 106940 | NUT NYLOCK THIN 1/2-20 | |
| 1-4,5A,6A,7 | 161228 | BOLT ON AXLE ASSM MAG | One side: used w/Mag Wheel and Fixed Axle Plate |
| 1-4,5B,6B,7 | 161229 | BOLT ON AXLE ASSM SPOKE | One side; used w/Spoke Wheel and Fixed Axle Plate |
| 3,4,5A,7 | 920108 | AXLE THRD MAG(ADJ AXLE PLT) LX | One side: used w/Mag Wheel |
| 3,4,5B,7 | 920109 | AXLE THRD SPK(ADJ AXLE PLT) LX | One side; used w/Spoke Wheel |



| Pos. | Item Number | Description | Remarks |
|--------------------|-------------|--------------------------------------|----------------------------------------------------------------|
| 1 | 119029 | CASTER MOUNT NUT RETAINER | |
| 2 | 561086 | 1" HALF SADDLE 1/4" HOLE | |
| 4 | 561070 | CASTER CAP PLASTIC | |
| 4 | 920028 | CASTER CAP PLASTIC | Pair |
| 5 | 561004 | 1" SADDLE 1/4" HOLE | |
| 6 | 349500 | 1 1/8 x 1/2 BEARING | |
| 7 | 561050 | ANTI-FLUTTER BUSHING | |
| 8 | 119231 | WASHER ECCENTRIC 6MM FLAT | |
| 9A | 119218 | HHCS M6X1X40 SHLDR NP | Used w/ Non-Transit |
| 9B | 119219 | HHCS M6X1X45 SHLDR NP | Used w/ Transit Brackets |
| 10 | 113268 | WASHER NYLON 1" OD x .312 ID | |
| 11 | 107383 | WASHER M6 FLAT ROHS | |
| 12 | 104381 | NUT HEX NYLOCK M6X1.0 | |
| 3, 6 | 780204 | CASTER PLATE HI ANGLE DOUBLE BEARING | Right |
| 3, 6 | 780205 | CASTER PLATE HI ANGLE DOUBLE BEARING | Left |
| 3, 6, 7 | 780206 | CASTER PLATE HI ANG R SNG BEARING | Right - Use with 8" caster only |
| 3, 6, 7 | 780207 | CASTER PLATE HI ANG L SNG BEARING | Left - Use with 8" caster only |
| 1,2,4,5,8,9A,10-12 | 120885 | QXI CSTR HDWR ONLY | Used w/ Non-Transit; kit includes hardware for both sides |
| 1,2,4,5,8,9B,10-12 | 120886 | QXI CSTR HDWR ONLY TRANS | Used w/ Transit Brackets; kit includes hardware for both sides |

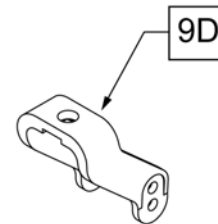


MEASURING GUIDE



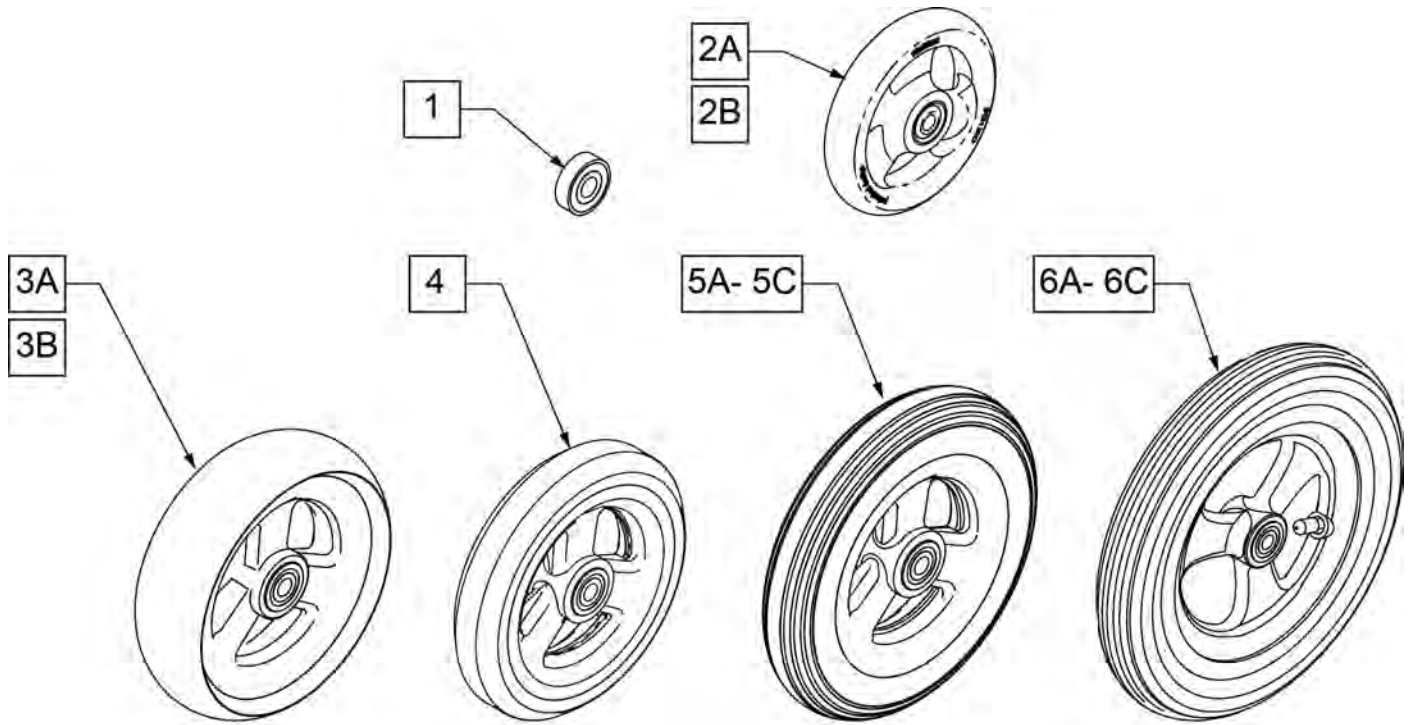
| | PART NUMBER | "A" |
|-------------------------|-------------|--------|
| STD (for 3 1/2 fork) | 118942 | 3" |
| STD | 920050 | 3 5/8" |
| + 3/4 | 920100 | 4 3/8" |
| +1 1/2 | 920110 | 5 1/8" |

NOTE: CASTER STEM DIAMETER IS 1/2".



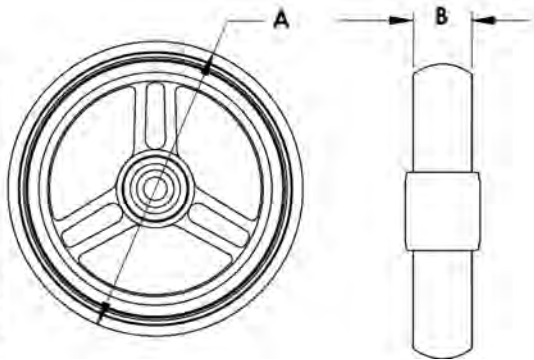
| Pos. | Item Number | Description | Remarks |
|----------------|-------------|-------------------------------------|------------------------------------------------------------|
| 1 | 106940 | NUT NYLON THIN 1/2 -20 ROHS | |
| 2 | 106949 | WASHER FLAT AN 1/2 ROHS | |
| 3B | 118942 | INDEXING FORK STEM BOLT | For 3 1/2" Fork |
| 1-3A | 920050 | REG CASTER STEM W/ HARDWARE | STD STEM |
| 4 | 203110 | 1/2 - 20 JAM NUT | |
| 7 | 521560 | + 3/4 CASTER STEM SPACER BLK | +3/4" STEM |
| 8 | 521562 | + 1 1/2 CASTER STEM SPACER BLK | +1 1/2" STEM |
| 9A | 105839-001 | FORK CASTER 5 1/4" | WORKS WITH 4", 5", 6", & 8" CASTERS |
| 9B | 105839-002 | FORK CASTER 6" | WORKS WITH 4", 5", 6", & 8" CASTERS |
| 9C | 105839-003 | FORK CASTER 7" | WORKS WITH 4", 5", 6", & 8" CASTERS |
| 9D | 118941 | FORK CASTER 3 1/2" | WORKS WITH 4" CASTERS |
| 10 | 106987 | HHCS 5/16 -24 x 2 1/2 ROHS | |
| 12 | 481113 | BEARING SPACER | |
| 13 | 349502 | 7/8 x 5/16 BEARING | |
| 14 | 106939 | NUT NYLOCK THIN 5/16 -24 ROHS | |
| 1, 2, 4, 5, 7 | 920100 | + 3/4 CASTER STEM W/ HARDWARE BLK | +3/4" STEM |
| 1, 2, 4, 6, 8 | 920110 | + 1 1/2 CASTER STEM W/ HARDWARE BLK | +1 1/2" STEM |
| 1-3B,9D,10,12 | 120714 | FORK CASTER 3 1/2 REG STEM | STD Stem - 3" Fork - Works w/ 3" Casters only |
| 1-3A,9A,10A,12 | 109335 | FORK CASTER 5 1/4 REG STEM | STD Stem - 5 1/4" Fork - Works w/ 4", 5", 6", & 8" Casters |

| Pos. | Item Number | Description | Remarks |
|--------------------|--------------------|----------------------------------|----------------------------------------------------------------|
| 1,2,4,5,7,9A,10,12 | 109336 | FORK CASTER 5 1/4" + 3/4" STEM | +3/4" Stem - 5 1/4" Fork - Works w/ 4", 5", 6", & 8" Casters |
| 1,2,4,6,8,9A,10 | 109337 | FORK CASTER 5 1/4" + 1 1/2" STEM | +1 1/2" Stem - 5 1/4" Fork - Works w/ 4", 5", 6", & 8" Casters |
| 1-3A,9B,10,12 | 109338 | FORK CASTER 6" REG STEM | STD Stem - 6" Fork - Works w/ 4", 5", 6", & 8" Casters |
| 1,2,4,5,7,9B,10 | 109339 | FORK CASTER 6"+ 3/4" STEM | + 3/4" Stem - 6" Fork - Works w/ 4", 5", 6", & 8" Casters |
| 1,2,4,6,8,9B,10 | 109340 | FORK CASTER 6" + 1 1/2" STEM | +1 1/2" Stem - 6" Fork - Works w/ 4", 5", 6", & 8" Casters |
| 1-3A,9C,10,12 | 109341 | FORK CASTER 7" REG STEM | STD Stem - 7" Fork - Works w/ 4", 5", 6", & 8" Casters |
| 1,2,4,5,7,9C,10,12 | 109342 | FORK CASTER 7" + 3/4" STEM | +3/4" Stem - 7" Fork - Works w/ 4", 5", 6", & 8" Casters |
| 1,2,4,6,8,9C,10,12 | 109343 | FORK CASTER 7" + 1/1/2" STEM | +1 1/2" Stem - 7" Fork - Works w/ 4", 5", 6", & 8" Casters |

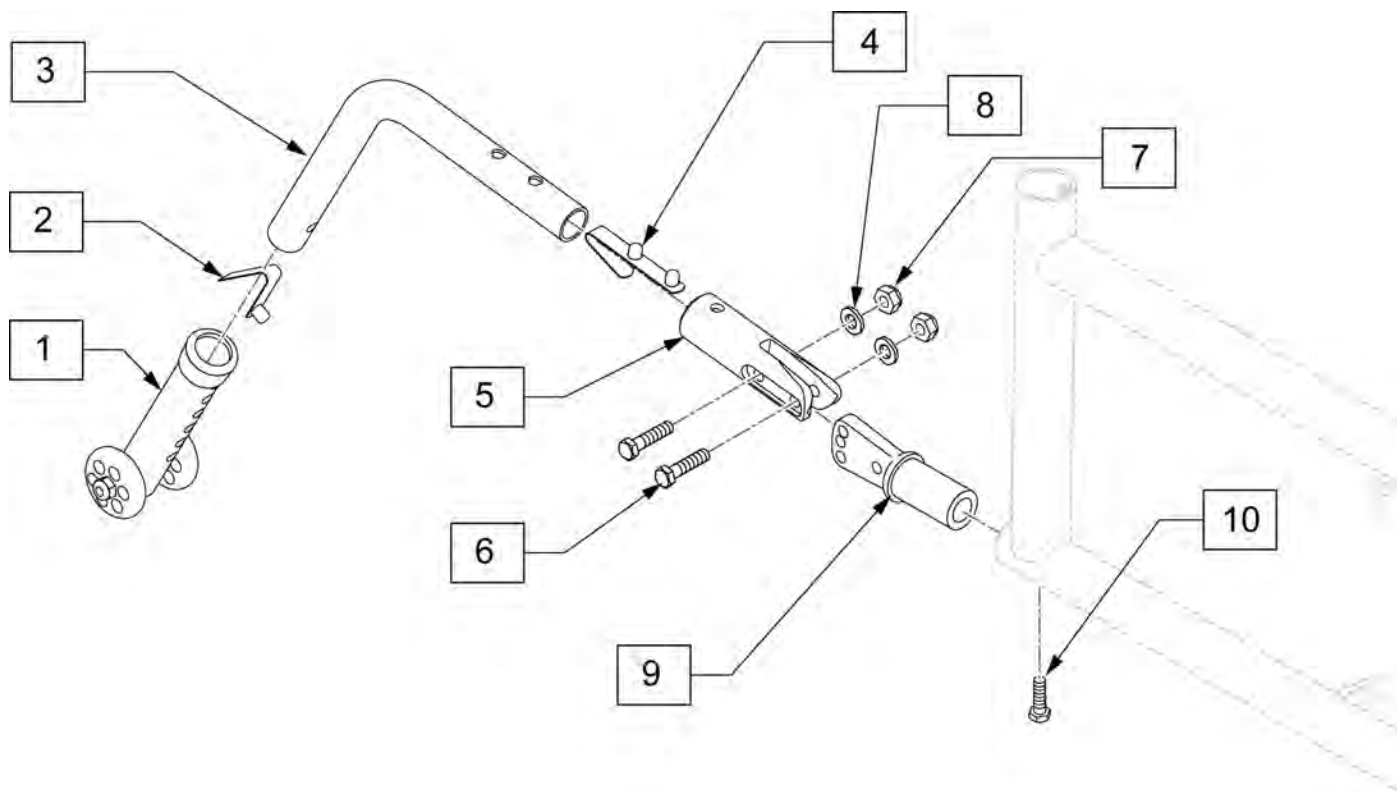


**CASTER
MEASURING GUIDE**

| PART NUMBER | "A" TIRE DIAMETER | "B" HUB WIDTH | PART NUMBER | "A" TIRE DIAMETER | "B" HUB WIDTH |
|-------------|-------------------|---------------|-------------|-------------------|---------------|
| 101957 | 4.3 | 1.2 | 101256 | 5.75 | 1.0 |
| 101098 | 4.0 | .8 | 101257 | 5.9 | 1.25 |
| 101259 | 4.9 | 1.5 | 400212 | 8.0 | 1.25 |
| 101255 | 5.7 | 1.5 | 400213 | 7.8 | 1.25 |
| 101254 | 4.9 | 1.0 | 400215 | 7.25 | 1.50 |



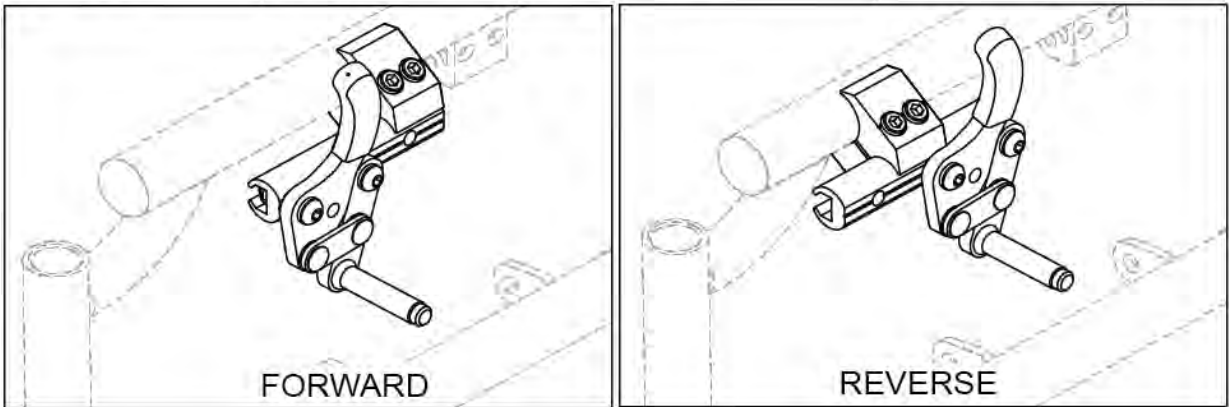
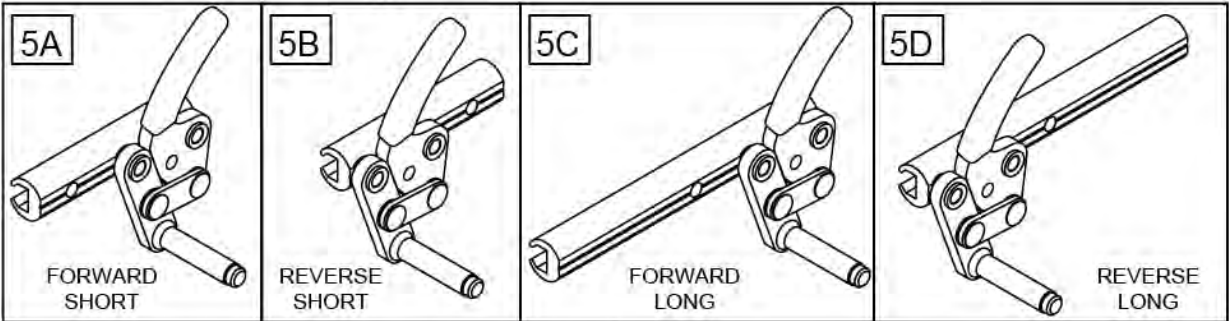
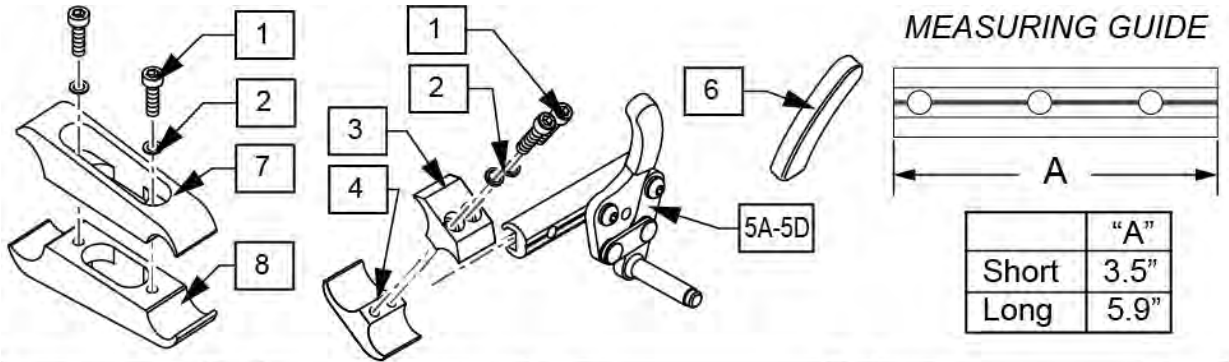
| Pos. | Item Number | Description | Remarks |
|------|-------------|--------------------------------|--------------------------|
| 1 | 349502 | 7/8"x 5/16" BEARING | |
| 2A | 101957 | 4"X1-1/4" POLY 3 SPOKE CSTR | 4" X 1.25 SEMI-PNEUMATIC |
| 2B | 101098 | CASTER 4" PLASTIC/POLY W/BRG | 4" LOW PROFILE POLY |
| 3A | 101259 | 5"X1-1/2" POLY 3 SPOKE CSTR | 5" x 1.5" SEMI-PNEUMATIC |
| 3B | 101255 | 6"X1-1/2" POLY 3 SPOKE CSTR | 6" x 1.5" SEMI-PNEUMATIC |
| 4 | 101254 | 5" LOW POLY 3 SPOKE CASTER | 5" LOW PROFILE POLY |
| 5A | 101256 | 6" SEMI PNEU 3 SPOKE CASTER | 6" POLY |
| 5B | 101257 | 6" PNEUMATIC 3 SPOKE CASTER | 6" PNEUMATIC |
| 5C | 383245 | 6" PNEUMATIC TIRE & TUBE | |
| 6A | 400212 | CASTER 8" PNEU 3 SPK ASSM | 8" PNEUMATIC |
| 6B | 400213 | CASTER 8" POLY 3 SPK ASSM | 8" POLY |
| 6C | 400215 | CASTER 8" WIDE POLY 3 SPK ASSM | 8" SEMI-PNEUMATIC |



| Pos. | Item Number | Description | Remarks |
|--------|-------------|-------------------------------|---------|
| 1 | 118682 | LOW MT ANTI TIP ADJUSTER ASSM | |
| 2 | 301100 | SNAP BUTTON 1/4" SINGLE | |
| 4 | 301109 | SNAP BUTTON DUAL ONE SIDE | |
| 6 | 102268-001 | HHCS M6 X 1 X 25 | |
| 7 | 104381 | NUT NYLOCK THIN M6 X 1 | |
| 8 | 106945 | WASHER FLAT SAE 1/4 ROHS | |
| 10 | 106995 | HHCS M6X1X16 PL | |
| 1-4 | 120716 | LOW MOUNT ANTI TIP ASSM | |
| 5-10 | 120715 | ANTI TIP REC ASSM | |
| 6-8,10 | 161230 | ANTI TIP FASTENER SET QXI | |
| 1-10 | 161231 | ANTI TIP RETRO KIT | pair |

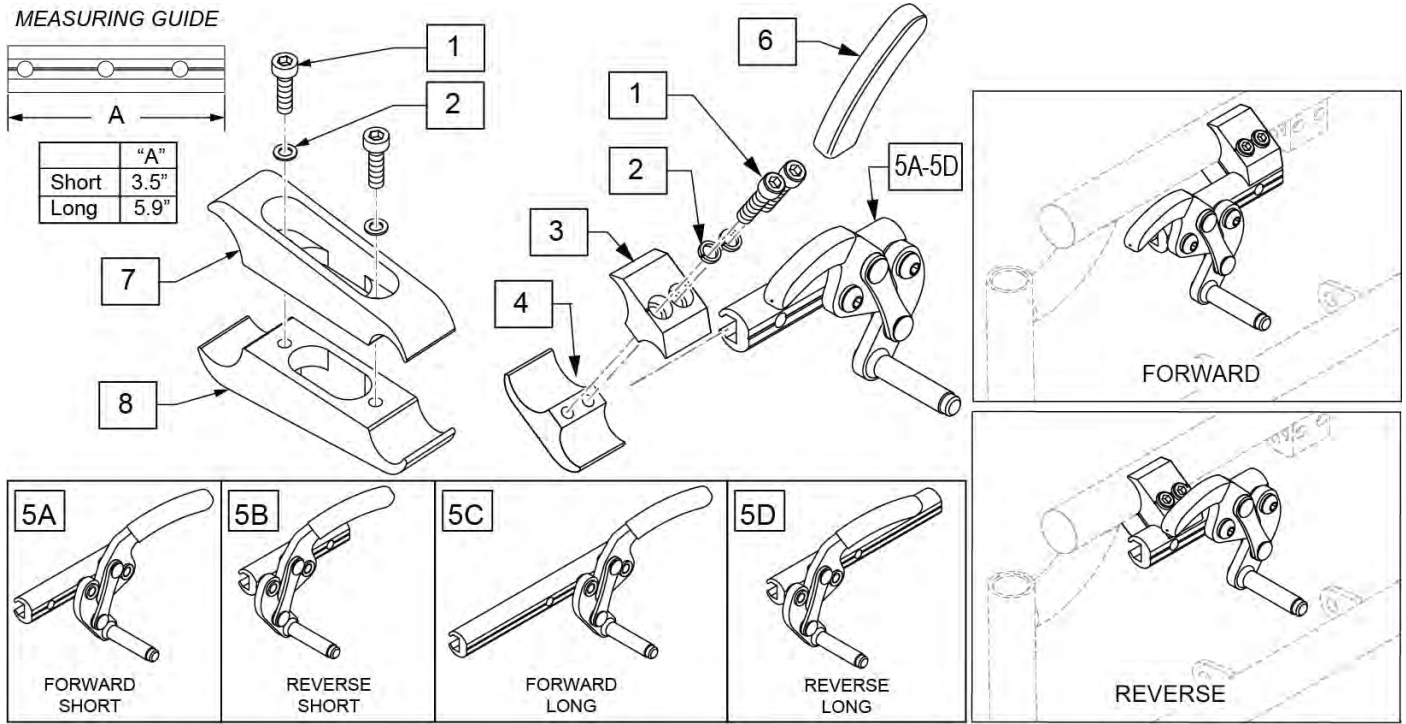
NOTE: if replacing WHEEL LOCKS on a 5R with the XTR Suspension Frame Style, see Wheel Lock for Suspension Frame (Push to Lock) parts page.

Note: the Wheel Locks for Chair or Replacement Part orders shipped on or after 6/27/17 have upgraded mounting hardware; please replace in pairs for chairs ordered prior to 6/27/17.

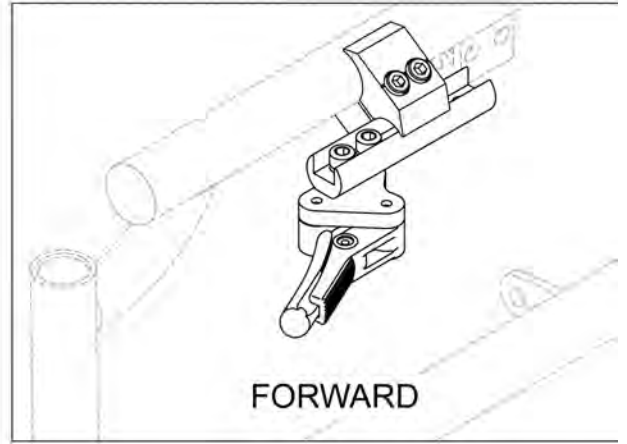
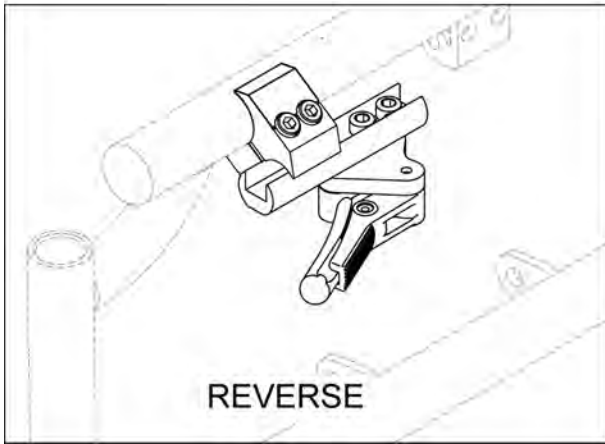
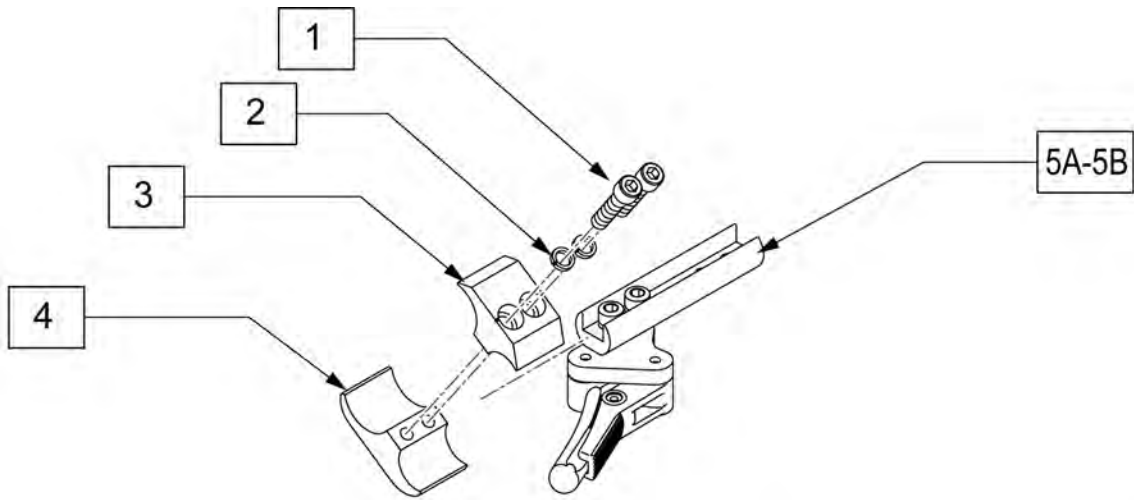


| Pos. | Item Number | Description | Remarks |
|---------|-------------|--------------------------------|---------------------|
| 1 | 107032 | SHCS 1/4-28 X 1 ROHS | |
| 2 | 107367 | WASHER LOCK HI COLLAR 1/4 ROHS | |
| 1-4 | 107639 | WHL LCK CLMP ASM | |
| 5A | 104216-001 | WHEEL LOCK PUSH R FWD SHT | Right-forward-short |
| 5A | 104216-002 | WHEEL LOCK PUSH L FWD SHT | Left-forward-short |
| 5B | 104216-003 | WHEEL LOCK PUSH R REV SHT | Right-reverse-short |
| 5B | 104216-004 | WHEEL LOCK PUSH L REV SHT | Left-reverse-short |
| 5C | 104216-005 | WHEEL LOCK PUSH R FWD LNG | Right-forward-long |
| 5C | 104216-006 | WHEEL LOCK PUSH L FWD LNG | Left-forward-long |
| 5D | 104216-007 | WHEEL LOCK PUSH R REV LNG | Right-reverse-long |
| 5D | 104216-008 | WHEEL LOCK PUSH L REV LNG | Left-reverse-long |
| 6 | 104141 | COVER CURVED WHEEL LOCK VINYL | |
| 1,2,7,8 | 122448S | WHL LCK CLMP ASM LNG | |

Note: the Wheel Locks for Chair or Replacement Part orders shipped on or after 6/27/17 have upgraded mounting hardware; please replace in pairs for chairs ordered prior to 6/27/17.

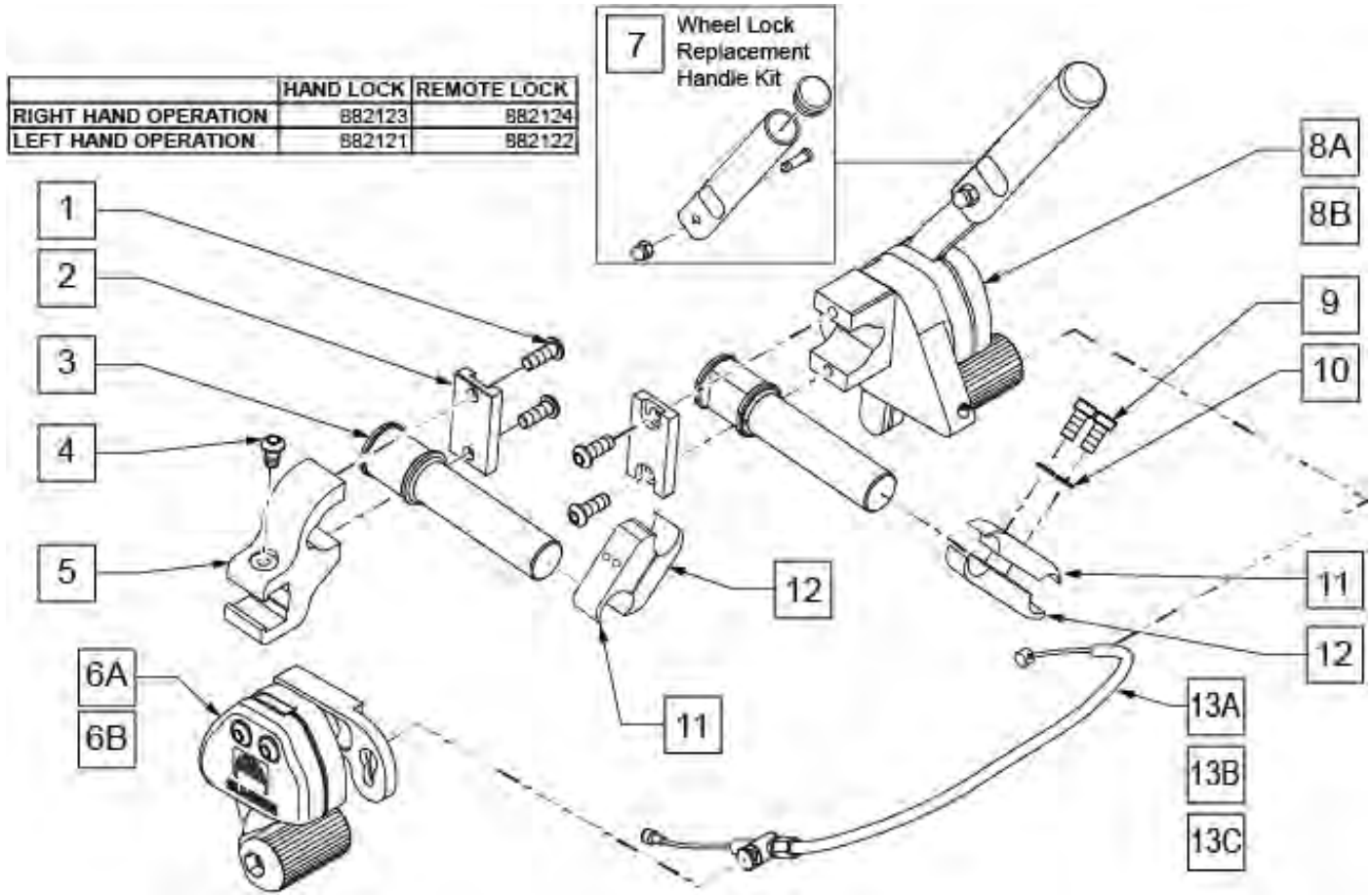


| Pos. | Item Number | Description | Remarks |
|---------|-------------|--------------------------------|---------------------|
| 1 | 107032 | SHCS 1/4-28 X 1 ROHS | |
| 2 | 107367 | WASHER LOCK HI COLLAR 1/4 ROHS | |
| 1-4 | 107639 | WHL LCK CLMP ASM | |
| 5A | 104227-001 | WHEEL LOCK PULL R FWD SHT | Right-forward-short |
| 5A | 104227-002 | WHEEL LOCK PULL L FWD SHT | Left-forward-short |
| 5B | 104227-003 | WHEEL LOCK PULL R REV SHT | Right-reverse-short |
| 5B | 104227-004 | WHEEL LOCK PULL L REV SHT | Left-reverse-short |
| 5C | 104227-005 | WHEEL LOCK PULL R FWD LNG | Right-forward-long |
| 5C | 104227-006 | WHEEL LOCK PULL L FWD LNG | Left-forward-long |
| 5D | 104227-007 | WHEEL LOCK PULL R REV LNG | Right-reverse-long |
| 5D | 104227-008 | WHEEL LOCK PULL L REV LNG | Left-reverse-long |
| 6 | 104141 | COVER CURVED WHEEL LOCK VINYL | |
| 1,2,7,8 | 122448S | WHL LCK CLMP ASM LNG | |



| Pos. | Item Number | Description | Remarks |
|------|-------------|--------------------------------|---------------|
| 1 | 107032 | SHCS 1/4-28 X 1 ROHS | |
| 2 | 107367 | WASHER LOCK HI COLLAR 1/4 ROHS | |
| 1-4 | 107639 | WHL LCK CLMP ASM | |
| 5A | 066608-001 | LIGHTWEIGHT C WHEEL LOCK LH | Left-Forward |
| 5A | 066608-002 | LIGHTWEIGHT C WHEEL LOCK RH | Right-Forward |
| 5B | 119346 | COMPACT WHL LCK REV LH | Left-Reverse |
| 5B | 119347 | COMPACT WHL LCK REV RH | Right-Reverse |

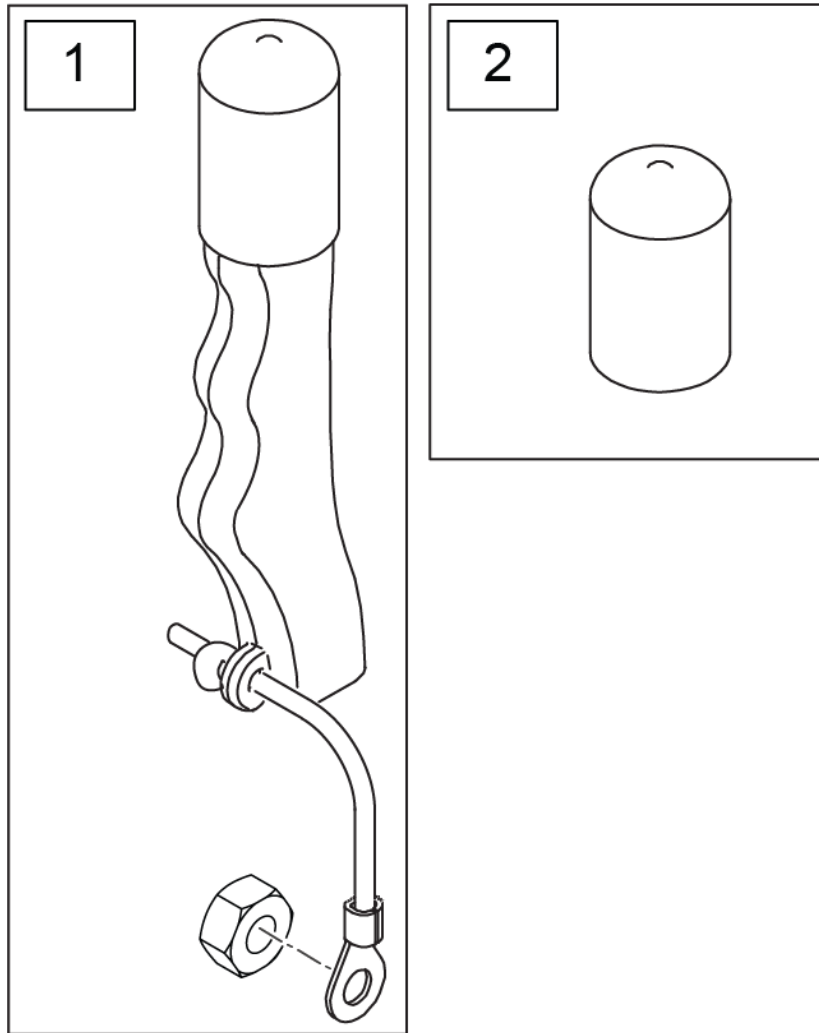
NOTE: ATTACHMENT CLAMP mounts to 1" diameter tubing.



| Pos. | Item Number | Description | Remarks |
|--------------------|-------------|-----------------------------------|--------------------------------|
| 1 | 230032 | M6 x 16 B/H CAP SCREW | |
| 2 | 501032 | CLAMP CAP | |
| 3 | 501031 | WHEEL LOCK EXTENSION | (not Handle) |
| 4 | 230052 | M6 1 x 10 BH C/S BLK | |
| 5 | 501033 | REMOTE LOCK CLAMP | |
| 1-5,6A | 882124 | REMOTE LOCK ASSEMBLY RIGHT | Mounts on left side |
| 1-5,6B | 882122 | REMOTE LOCK ASSEMBLY LEFT | Mounts on right side |
| 7 | 883300 | 1-HAND WHLLCK RLCMNT HNDL KIT | 4 7/8"; Replacement Handle Kit |
| 1,2,3,8A | 882123 | HAND LOCK ASSEMBLY RIGHT | Mounts on right side |
| 1,2,3,8B | 882121 | HAND LOCK ASSEMBLY LEFT | Mounts on left side |
| 9 | 107032 | 1/4-28 x 1 SOC C/S BLK | |
| 10 | 262114 | 1/4 WASHER HI COLLAR | |
| 13A | 341760 | WHEEL LOCK CABLE SHORT (11"-14") | 11 -14" WIDE CHAIRS |
| 13B | 341761 | WHEEL LOCK CABLE MEDIUM (15"-18") | 15 -18" WIDE CHAIRS |
| 13C | 341762 | WHEEL LOCK CABLE LONG (19"-22") | 19 -22" WIDE CHAIRS |
| 9-12 | 880422 | WHL LCK EXTND CLMP ASSM BLK | |
| 1-5,6A,8A,9-12,13A | 902184 | UNILTERAL 1HAND PSH LOCK SHT RH | RH SHOWN 11 -14" WIDE |
| 1-5,6A,8A,9-12,13B | 902186 | UNILTERAL 1HAND PSH LOCK MED RH | RH SHOWN 15 -18" WIDE |
| 1-5,6A,8A,9-12,13C | 902188 | UNILTERAL 1HAND PSH LOCK LONG RH | RH SHOWN 19 -22" WIDE |
| 1-5,6B,8B,9-12,13A | 902183 | UNILTERAL 1HAND PSH LOCK SHT LH | LH 11 -14" WIDE |

| Pos. | Item Number | Description | Remarks |
|--------------------|--------------------|----------------------------------|-----------------|
| 1-5,6B,8B,9-12,13B | 902185 | UNILTERAL 1HAND PSH LOCK MED LH | LH 15 -18" WIDE |
| 1-5,6B,8B,9-12,13C | 902187 | UNILTERAL 1HAND PSH LOCK LONG LH | LH 19 -22" WIDE |

Note: used on High Mount Push and Pull Wheel Locks only.



| Pos. | Item Number | Description | Remarks |
|------|-------------|--------------------------------|---------|
| 1 | 161930 | WHEEL LOCK EXT ASSY (PAIR) KIT | Pair |
| 2 | 560600 | FOAM GRIP 1 1/2 X 0.705 X 0.1 | |

NOTE: THIS WHEEL UTILIZES SCREW MOUNT HANDRIMS - THE HANDRIM HAS A THREADED HOLE THAT MOUNTS THE HANDRIM TO THE WHEEL THROUGH A SPACER AND FASTENER.

NOTE: IF MAG WHEEL ASSEMBLY WAS ORDERED WITHOUT HANDRIM AND A HANDRIM IS ADDED TO THE WHEEL QTY 6 OF 561037 AND 281175 MUST BE ORDERED TO PROPERLY MOUNT THE HANDRIM.

NOTE: FOR ZIPPIE X'CAPE 6 SPOKE MAGS ARE ONLY AVAILABLE WITH THE ONE ARM DRIVE.



| Pos. | Item Number | Description | Remarks |
|------|-------------|------------------------------|-------------------------------------------------------------------------|
| 1-3 | 401094 | 20" MAG W/BRNG 6 SPOKE | 20" |
| 1-3 | 401093 | 22" MAG W/BRNG 6 SPOKE | 22"(501mm) |
| 1-3 | 401092 | 24" MAG W/BRNG 6 SPOKE | 24"(540mm) |
| 2 | 349500 | 1 1/8 X 1/2 BEARING | |
| 3 | 521564 | MAG BEARING SPACER | |
| 4 | 101932 | SPCR .194ID X .375 OD X .750 | Used when previously ordered with Omit handrims or Natural Fit Handrims |

Note: this Wheel utilizes Screw Mount Handrims; the Handrim has a threaded hole that mounts the Handrim to the Wheel through a spacer and fastener.

Note: the Lite Spoke Wheel has a total of 30 spokes.

Note: when ordering replacement bearings, if dust shield on bearing has the following markings: MBL-Z2 6001 2RS, then order P/N 114097.



| Pos. | Item Number | Description | Remarks |
|------|-------------|--------------------------------|------------------------------------------------------------|
| 1A | 118755 | WHEEL ASSM GALLOP 20IN | 20" (451) |
| 1B | 118756 | WHEEL ASSM GALLOP 22IN | 22" (501) |
| 1C | 107131 | WHEEL RIM/SPOKE 24" ASSM | 24" (540) |
| 1D | 118764 | 25 LT SPK W-HNDRM ANO ASSM GLP | 25" (559) |
| 1E | 118760 | WHEEL ASSM GALLOP 26IN | 26" (590) |
| 2A | 114097 | BEARING, REPLACEMENT, MBL | 12.7mm i.d. - 28mm o.d. - 8mm wide; used prior to 11/29/10 |
| 2B | 349500 | 1_125 X .5 BEARING | Beginning 11/29/10 |
| 3A | 118100 | MBL LT 20IN SPOKE RPLMNT KIT | Kit contains 6 inner and 6 outer spokes |
| 3B | 118101 | MBL LT 22IN SPOKE RPLMNT KIT | Kit contains 6 inner and 6 outer spokes |
| 3C | 118102 | MBL LT 24IN SPOKE RPLMNT KIT | Kit contains 6 inner and 6 outer spokes |
| 3D | 118103 | MBL LT 25IN SPOKE RPLMNT KIT | Kit contains 6 inner and 6 outer spokes |
| 3E | 118104 | MBL LT 26IN SPOKE RPLMNT KIT | Kit contains 6 inner and 6 outer spokes |

Note: 5 Spoke Mag is not compatible with One Arm Drive or Projection Handrims.

Note: 5 Spoke Mag utilizes exclusive screw mounted handrims.



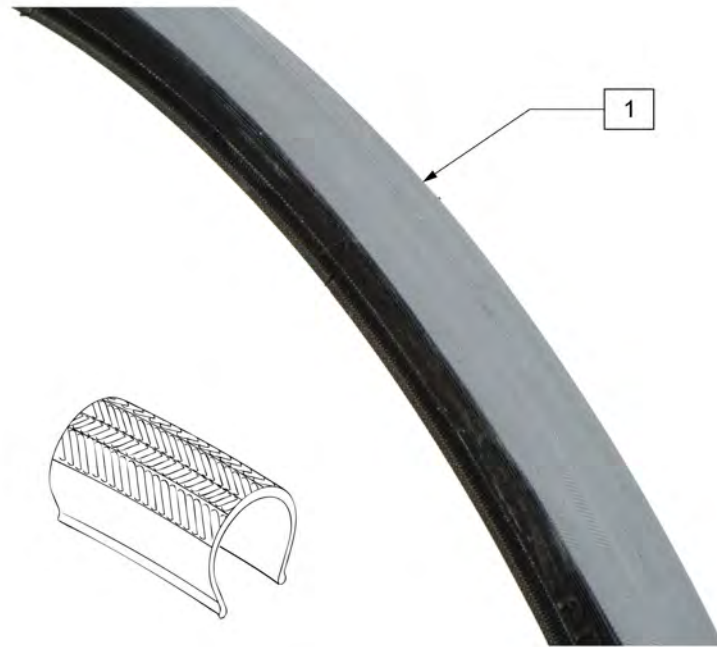
| Pos. | Item Number | Description | Remarks |
|------|-------------|------------------------|-------------|
| 1,2 | 128985 | 20" 5 SPOKE MAG WHEEL | 20" (451mm) |
| 1,2 | 128986 | 22" 5 SPOKE MAG WHEEL | 22" (501mm) |
| 1,2 | 126405 | 24" MAG W/BRNG 5 SPOKE | 24" (540mm) |
| 2 | 349500 | 1 1/8 X 1/2 BEARING | |
| 3 | 129325 | 20" MAG RIM STRIP | |
| 3 | 129324 | 22" MAG RIM STRIP | |
| 3 | 127912 | 24" MAG RIM STRIP | |



| Pos. | Item Number | Description | Remarks |
|------|-------------|----------------------------|------------------------------|
| 1 | 385237 | 16" X 1.75" PNEU TIRE | |
| 1 | 385250 | 20" PNEUMATIC TIRE | |
| 1 | 385275 | 22" PNEUMATIC TIRE | 22" x 1 3/8 (501mm) |
| 1 | 385300 | 24" PNEUMATIC TIRE | 24" x 1 3/8 (540mm) |
| 1 | 385325 | 26" PNEUMATIC TIRE | 26" x 1 3/8 (590mm) |
| 1 | 384614 | 24" x 2.125 PNEUMATIC TIRE | 24"x2 1/8 (540mm) used w/ M6 |



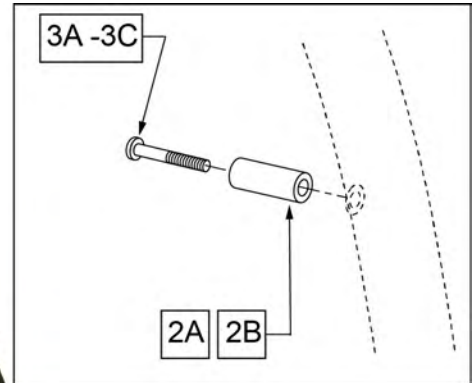
| Pos. | Item Number | Description | Remarks |
|------|-------------|-------------------|-------------|
| 1 | 386232 | 20" POLY TIRE STD | 20" |
| 1 | 386242 | 22" POLY TIRE STD | 22" (501mm) |
| 1 | 386252 | 24" POLY TIRE STD | 24" (540mm) |



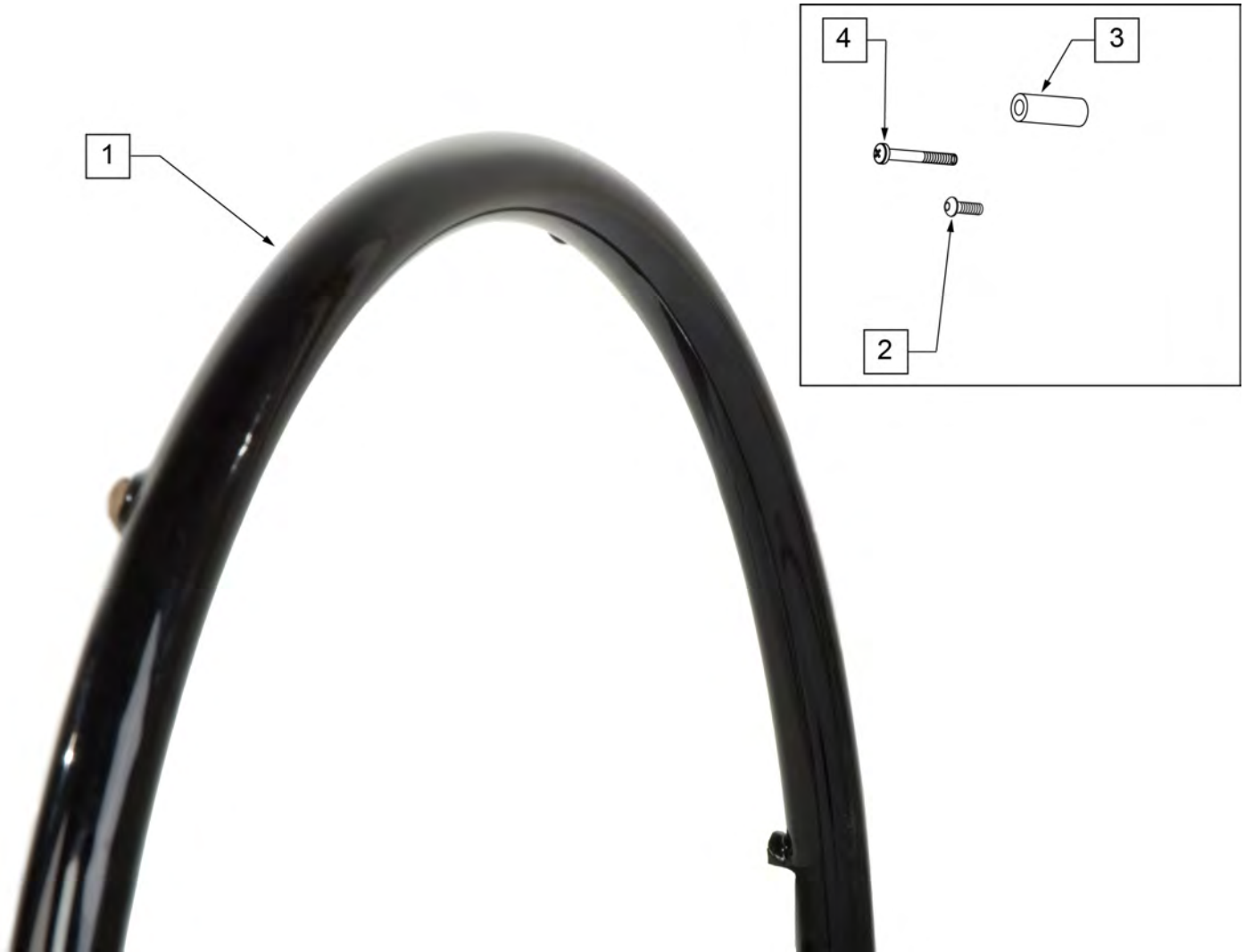
| Pos. | Item Number | Description | Remarks |
|------|-------------|-------------------------------------|-------------|
| 1 | 385280 | 22" x 1" HI PRES CLINCHER | 22" (501mm) |
| 1 | 389020 | 24" x 1" HI PRES CLNCHR TIRE | 24" (540mm) |
| 1 | 389012 | QP 24" x 1" HT TURB BLK WR/BD 559 | 25" (559mm) |
| 1 | 389030 | 26" x 1" HI PRES CLNCHR TIRE | 26" (590mm) |
| 1 | 105919 | 22" x 1" HI PRESS CLNCHR ULTRALIGHT | 22" (489mm) |



| Pos. | Item Number | Description | Remarks |
|------|-------------|--------------------------|-------------|
| 1 | 102066-004 | TIRE SCHWALBE MP 489 BLK | 22" (489mm) |
| 1 | 102066-001 | TIRE SCHWBL MPE 540 BLK | 24" (540mm) |
| 1 | 102066-002 | TIRE SCHWBL MPE 559 BLK | 25" (559mm) |
| 1 | 102066-003 | TIRE SCHWBL MPE 590 BLK | 26" (590mm) |

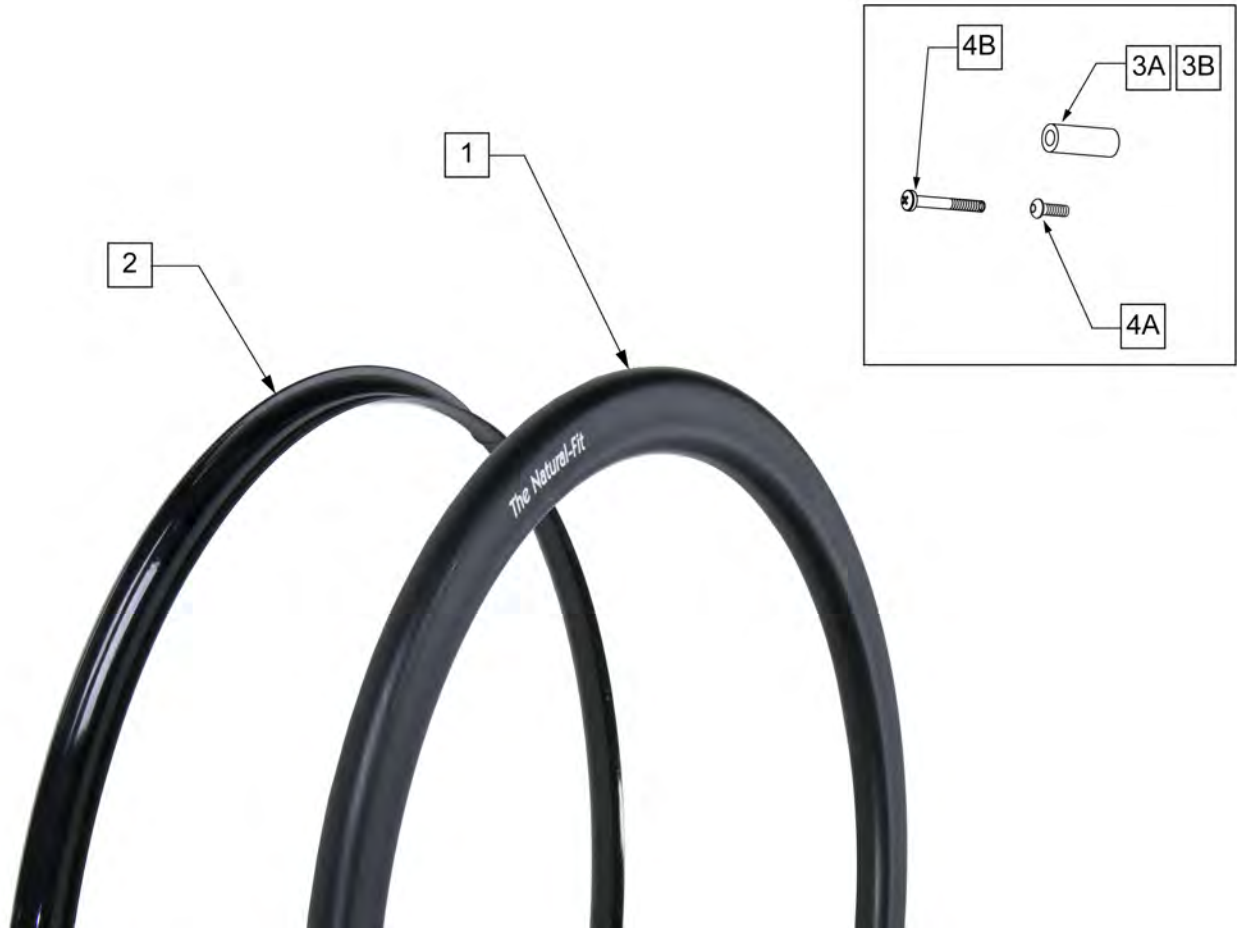


| Pos. | Item Number | Description | Remarks |
|---------|-------------|------------------------------|----------------------|
| >>>>> | >>>>>>>>> | LITE SPOKE | >>>>> |
| 1,2A,3A | 159508 | 20IN LT SPK AA HNDRIM W/HDWR | 20" LITE SPOKE |
| 1,2A,3A | 159509 | 22IN LT SPK AA HNDRIM W/HDWR | 22" (501) LITE SPOKE |
| 1,2A,3A | 159510 | 24IN LT SPK AA HNDRIM W/HDWR | 24" (540) LITE SPOKE |
| 1,2A,3A | 159511 | 25IN LT SPK AA HNDRIM W/HDWR | 25" (559) LITE SPOKE |
| 1,2A,3A | 159512 | 26IN LT SPK AA HNDRIM W/HDWR | 26" (590) LITE SPOKE |
| 2A,3A | 159513 | LT SPK AL AN HNDRIM HDWR | LITE SPOKE, SET OF 6 |
| >>>>> | >>>>>>>>> | SPOKE | >>>>> |
| 1,2B,3B | 425931 | 20" HR 6SMT W/HDWR | 20" SPOKE |
| 1,2B,3B | 425941 | 22" HR 6SMT W/HDWR | 22" (501) SPOKE |
| 1,2B,3B | 426000 | 24" HR 6SMT W/ HDWR | 24" (540) SPOKE |
| 2B,3B | 159514 | SPK AL AN HNDRIM HDWR | SPOKE, SET OF 6 |
| >>>>> | >>>>>>>>> | MAG | >>>>> |
| 1,3C | 425934 | 20" HR 6SMT 6MAG W/HDWR | 20" MAG |
| 1,3C | 425951 | 22" HR 6SMT 6MAG W/HDWR | 22" (501) MAG |
| 1,3C | 426009 | 24" HR 6SMT 6MAG W/HDWR | 24" (540) MAG |
| 3C | 281175 | 10-32 X 2 1/8 PAN PHIL SS | MAG |
| >>>>> | >>>>>>>>> | M6 SPOKE | >>>>> |
| 1,2B,3B | 425941 | 22" HR 6SMT W/HDWR | 24" (540) SPOKE |



| Pos. | Item Number | Description | Remarks |
|------|-------------|--------------------------------|--------------------|
| >>>> | >>>>>>>>>> | SPOKE & LITE SPOKE | >>>> |
| 1 -4 | 425933 | 20" HR 6SMT PLST W/HDWR | 20" SPOKE |
| 1 -4 | 425943 | 22" HR 6SMT PLST W/HDWR | 22" (501) SPOKE |
| 1 -4 | 426004 | 24" HR 6SMT PLST W/HDWR | 24" (540) SPOKE |
| >>>> | >>>>>>>>>> | MAG | >>>> |
| 1 -4 | 425935 | 20" HR 6SMT 6MAG PLST W/HDWR | 20" MAG |
| 1 -4 | 425953 | 22" HR 6SMT 6MAG PLST W/HDWR | 22" (501) MAG |
| 1 -4 | 426013 | 24" HR 6SMT 6MAG PLST W/HDWR | 24" (540) MAG |
| >>>> | >>>>>>>>>> | M6 SPOKE | >>>> |
| 1 -4 | 425953 | 22" HR 6SMT 6 MAG PLST W/ HDWR | 24" (540) M6 SPOKE |
| 2,3 | 159534 | PLST COATED HNDRM HARDWARE | SPOKE; SET OF 6 |
| 4 | 281175 | 10 -32 x 2 1/8 PAN PHIL SS | 6 SPOKE MAG |

Note: Screw Mount Handrims are utilized with Lite Spoke, Spoke and 6 Spoke Mag Wheels.



| Pos. | Item Number | Description | Remarks |
|---------|-------------|-------------------------------|-----------------------------------|
| >>>>> | >>>>>>>>> | STD GRIP THUMB GUARD | >>>>> |
| 2 | 102168-001 | GUARD THUMB NAT FIT 22 PC BLK | 22" (501)- Std Grip Thumb Guard |
| 2 | 102168-003 | GUARD THUMB NAT FIT 24 PC BLK | 24" (540)- Std Grip Thumb Guard |
| 2 | 102168-005 | GUARD THUMB NAT FIT 25 PC BLK | 25" (559)- Std Grip Thumb Guard |
| 2 | 102168-007 | GUARD THUMB NAT FIT 26 PC BLK | 26" (590)- Std Grip Thumb Guard |
| >>>>> | >>>>>>>>> | SUPER GRIP THUMB GUARD | >>>>> |
| 2 | 102168-002 | GUARD THUMB NAT FIT 22 SG BLK | 22" (501)- Super Grip Thumb Guard |
| 2 | 102168-004 | GUARD THUMB NAT FIT 24 SG BLK | 24" (540)- Super Grip Thumb Guard |
| 2 | 102168-006 | GUARD THUMB NAT FIT 25 SG BLK | 25" (559)- Super Grip Thumb Guard |
| 2 | 102168-008 | THUMB GUARD NAT FIT 26 SG BLK | 26" (590)- Super Grip Thumb Guard |
| >>>>> | >>>>>>>>> | NATURAL FIT LITE HANDRIM | >>>>> |
| 1,3A,4A | 159516 | 22 NAT-FIT LT HNDRIM W/HDWR | 22" (501) |
| 1,3A,4A | 159517 | 24 NAT-FIT LT HNDRIM W/HDWR | 24" (540) |
| 1,3A,4A | 159518 | 25 NAT-FIT LT HNDRIM W/HDWR | 25" (559) |
| 1,3A,4A | 159519 | 26 NAT-FIT LT HNDRIM W/HDWR | 26" (590) |
| >>>>> | >>>>>>>>> | NATURAL FIT HANDRIM | >>>>> |
| 1,3A,4A | 159520 | 22 NAT-FIT HNDRIM W/HDWR | 22" (501) |
| 1,3A,4A | 159521 | 24 NAT-FIT HNDRIM W/HDWR | 24" (540) |

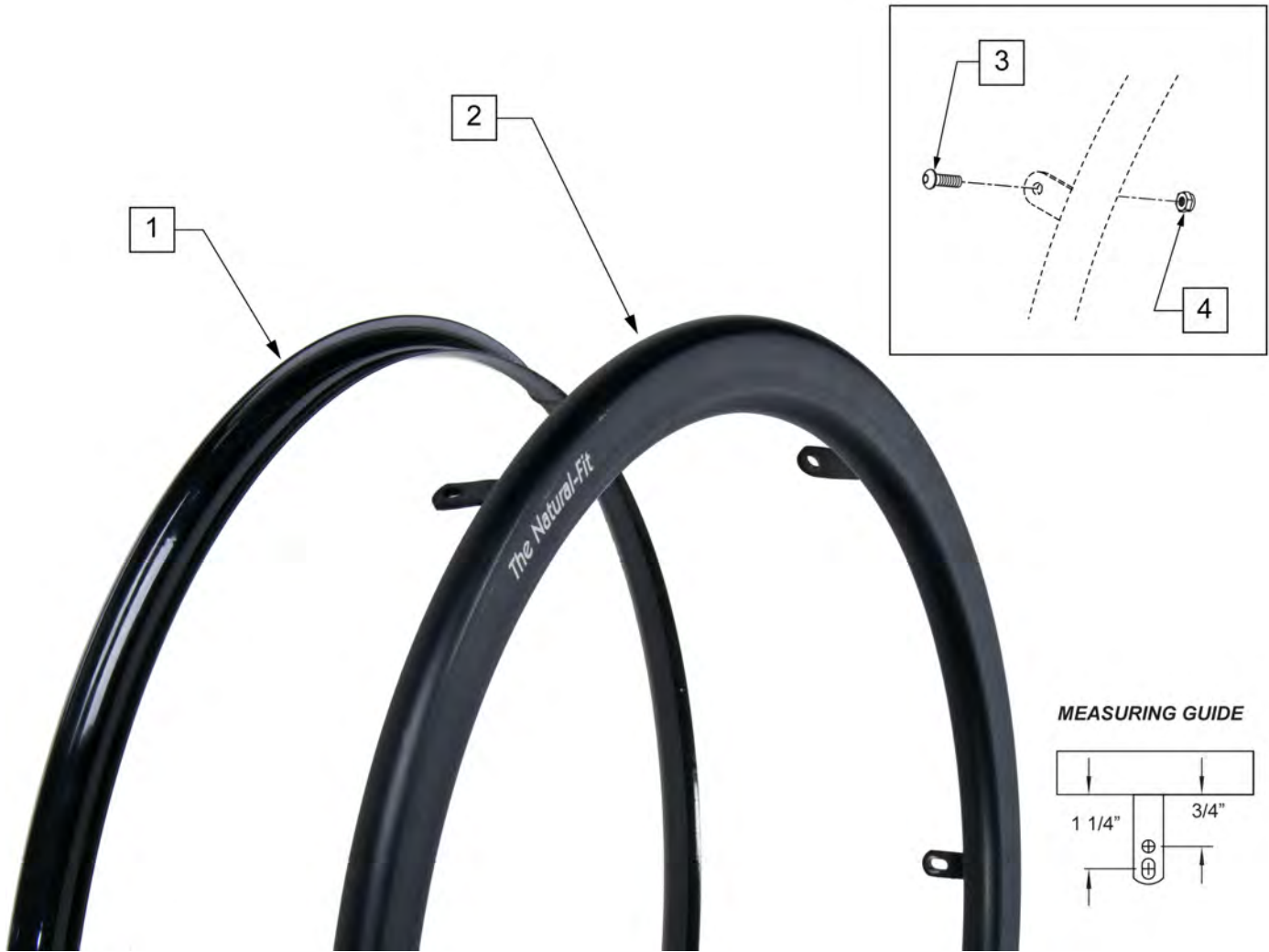
| Pos. | Item Number | Description | Remarks |
|-------------|--------------------|------------------------------|--------------------------------------|
| 1,3A,4A | 159522 | 25 NAT-FIT HNDRIM W/HDWR | 25" (559) |
| 1,3A,4A | 159523 | 26 NAT-FIT HNDRIM W/HDWR | 26" (590) |
| 3A,4A | 159524 | NAT-FIT HNDRIM LT HDWR SET 6 | USED W/ LITE SPOKE & SPOKE; SET OF 6 |
| 3B | 101932 | SPCR .194ID X .375 OD X .750 | USED W/ MAG |
| 4B | 281175 | 10-32 X 2 1/8 PAN PHIL SS | USED W/ MAG |

NOTE: fits 24" 5 Spoke Wheel only.



| Pos. | Item Number | Description | Remarks |
|------|-------------|-------------------------------|--------------------------------------|
| 1A | 126558 | HNDRM NAT FIT LT OVAL 5 RVT | 24" Light |
| 1B | 126559 | HNDRM NATURAL FIT OVAL 5 RVT | 24" Standard |
| 2A | 102168-004 | GUARD THUMB NAT FIT 24 SG BLK | 24" (540)- Super Grip Thumb Guard |
| 2B | 102168-003 | GUARD THUMB NAT FIT 24 PC BLK | 24" (540)- Standard Grip Thumb Guard |
| 3 | 101932 | SPCR .194ID X .375 OD X .750 | |
| 4 | 281175 | 10-32 X 2 1/8 PAN PHIL SS | |

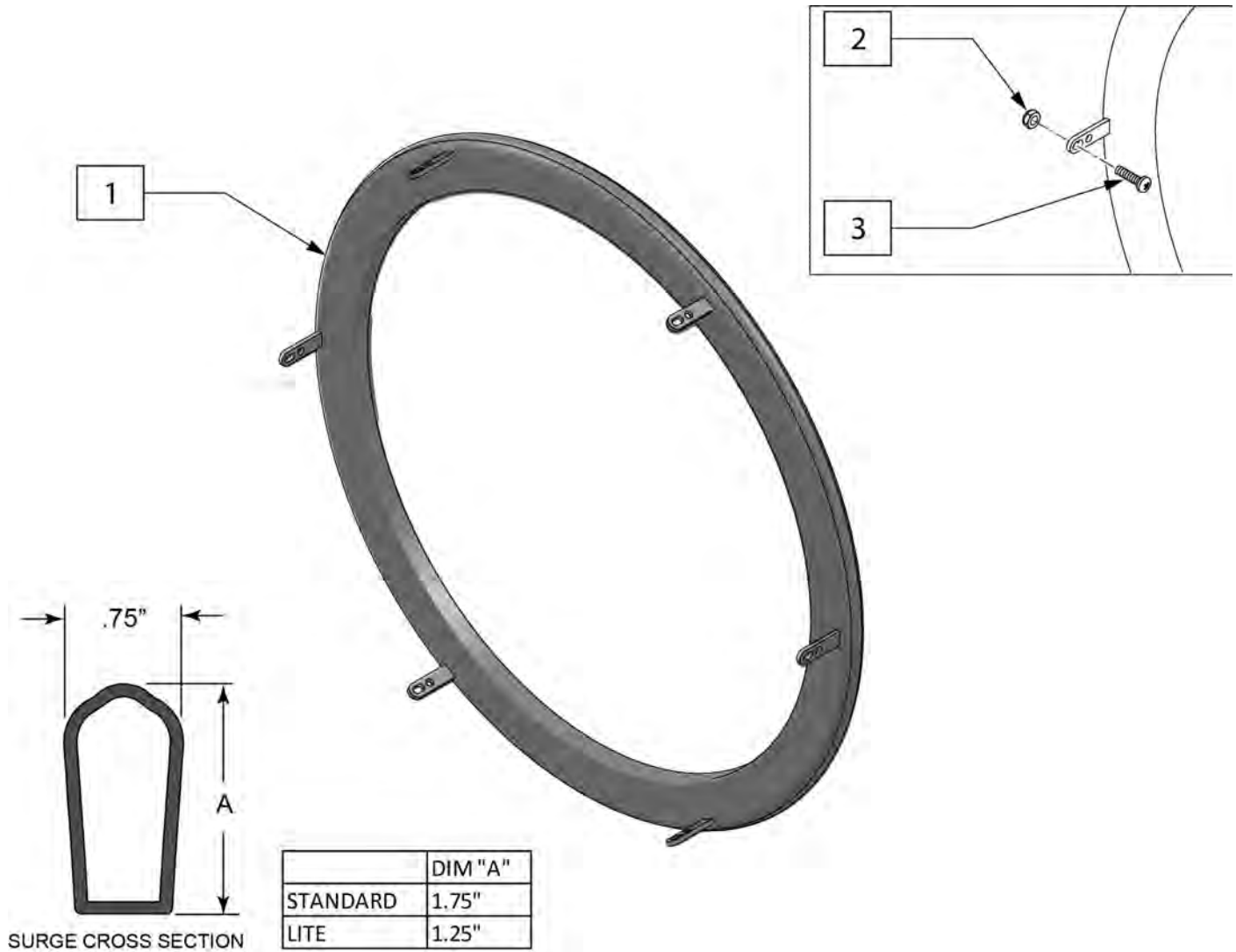
Note: Tab Mount Hand Rims are utilized with Spinergy & Toplino Wheels.



| Pos. | Item Number | Description | Remarks |
|-------|-------------|--------------------------------|-----------|
| >>>>> | >>>>>>>>> | STD GRIP THUMB GRIP | >>>>> |
| 1 | 102168-001 | GUARD THUMB NAT FIT 22 PC BLK | 22" (501) |
| 1 | 102168-003 | GUARD THUMB NAT FIT 24 PC BLK | 24" (540) |
| 1 | 102168-005 | GUARD THUMB NAT FIT 25 PC BLK | 25" (559) |
| 1 | 102168-007 | GUARD THUMB NAT FIT 26 PC BLK | 26" (590) |
| >>>>> | >>>>>>>>> | SUPER GRIP THUMB GUARD | >>>>> |
| 1 | 102168-002 | GUARD THUMB NAT FIT 22 SG BLK | 22" (501) |
| 1 | 102168-004 | GUARD THUMB NAT FIT 24 SG BLK | 24" (540) |
| 1 | 102168-006 | GUARD THUMB NAT FIT 25 SG BLK | 25" (559) |
| 1 | 102168-008 | THUMB GUARD NAT FIT 26 SG BLK | 26" (590) |
| >>>>> | >>>>>>>>> | NATURAL FIT LITE HANDRIM | >>>>> |
| 2-4 | 159525 | 22 NAT-FIT LT TB HNDRIM W/HDWR | 22" (501) |
| 2-4 | 159526 | 24 NAT-FIT LT TB HNDRIM W/HDWR | 24" (540) |
| 2-4 | 159527 | 25 NAT-FIT LT TB HNDRIM W/HDWR | 25" (559) |

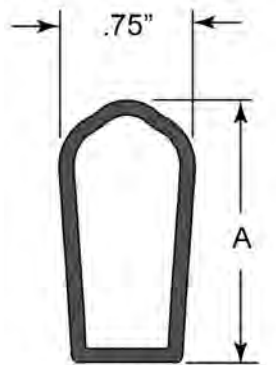
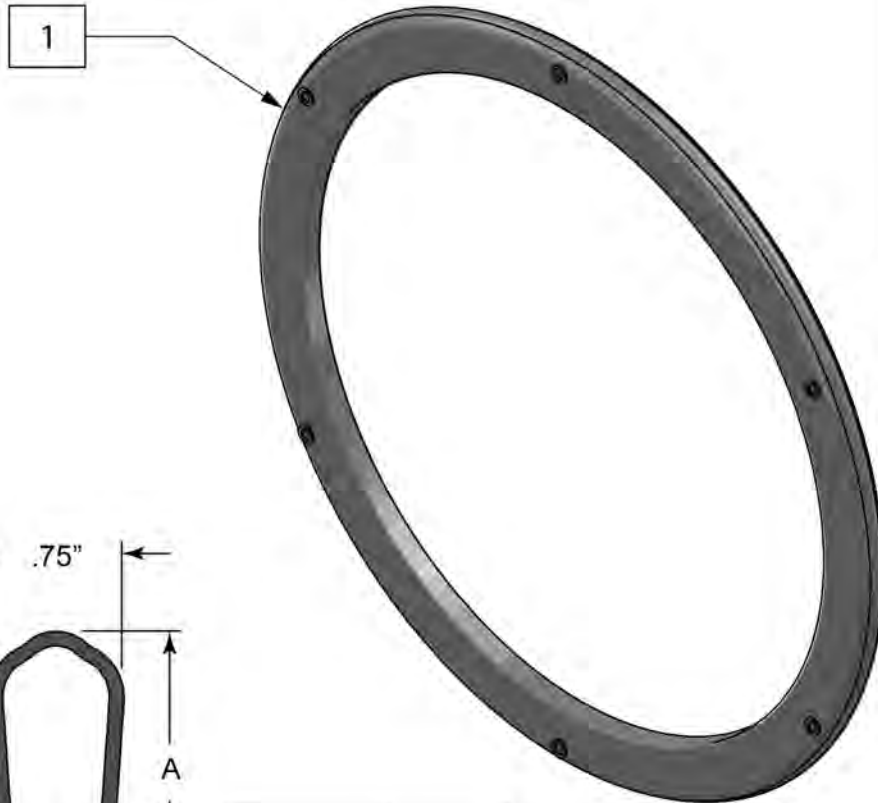
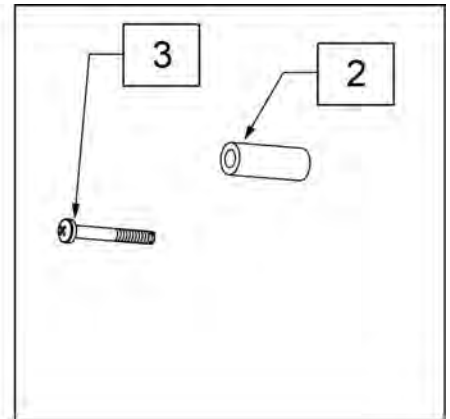
| Pos. | Item Number | Description | Remarks |
|-------------|--------------------|--------------------------------|----------------|
| 2-4 | 159528 | 26 NAT-FIT LT TB HNDRIM W/HDWR | 26" (590) |
| >>>>> | >>>>>>>>>> | NATURAL FIT -W/O THUMB GRIP | >>>>> |
| 2-4 | 159529 | 22 NAT-FIT TB HNDRIM W/HDWR | 22" (501) |
| 2-4 | 159530 | 24 NAT-FIT TB HNDRIM W/HDWR | 24" (540) |
| 2-4 | 159531 | 25 NAT-FIT TB HNDRIM W/HDWR | 25" (559) |
| 2-4 | 159532 | 26 NAT-FIT TB HNDRIM W/HDWR | 26" (590) |
| 3,4 | 159533 | NAT-FIT TAB MNT HARDWARE | SET OF 6 |

Note: used on Spinergy SPOX and LX wheels.



| Pos. | Item Number | Description |
|------|-------------|----------------------------------|
| 1-3 | 159492 | 22IN TAB SURGE HANDRIM W/HDWR |
| 1-3 | 159493 | 24IN TAB SURGE HANDRIM W/HDWR |
| 1-3 | 159494 | 25IN TAB SURGE HANDRIM W/HDWR |
| 1-3 | 159495 | 26IN TAB SURGE HANDRIM W/HDWR |
| 1-3 | 159496 | 22IN TAB SURGE HANDRIM LT W/HDWR |
| 1-3 | 159497 | 24IN TAB SURGE HANDRIM LT W/HDWR |
| 1-3 | 159498 | 25IN TAB SURGE HANDRIM LT W/HDWR |
| 1-3 | 159499 | 26IN TAB SURGE HANDRIM LT W/HDWR |
| 2,3 | 159500 | SURGE HARDWARE TAB MNT |

Note: used on Lite Spoke wheels.



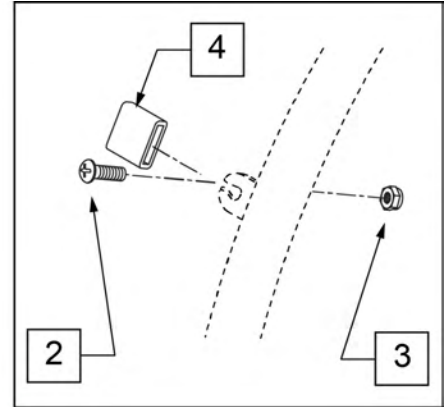
SURGE CROSS SECTION

| | |
|----------|---------|
| | DIM "A" |
| STANDARD | 1.75" |
| LITE | 1.25" |

| Pos. | Item Number | Description | Remarks |
|------|-------------|------------------------------|----------|
| 1-3 | 159483 | 22IN HANDRIM SURGE W/HDWR | |
| 1-3 | 159484 | 24IN HANDRIM SURGE W/HDWR | |
| 1-3 | 159485 | 25IN HANDRIM SURGE W/HDWR | |
| 1-3 | 159486 | 26IN HANDRIM SURGE W/HDWR | |
| 1-3 | 159487 | 22IN HANDRIM LT SURGE W/HDWR | |
| 1-3 | 159488 | 24IN HANDRIM LT SURGE W/HDWR | |
| 1-3 | 159489 | 25IN HANDRIM LT SURGE W/HDWR | |
| 1-3 | 159490 | 26IN HANDRIM LT SURGE W/HDWR | |
| 2,3 | 159491 | SURGE HARDWARE | set of 6 |

Note: Handrim is Latex free.

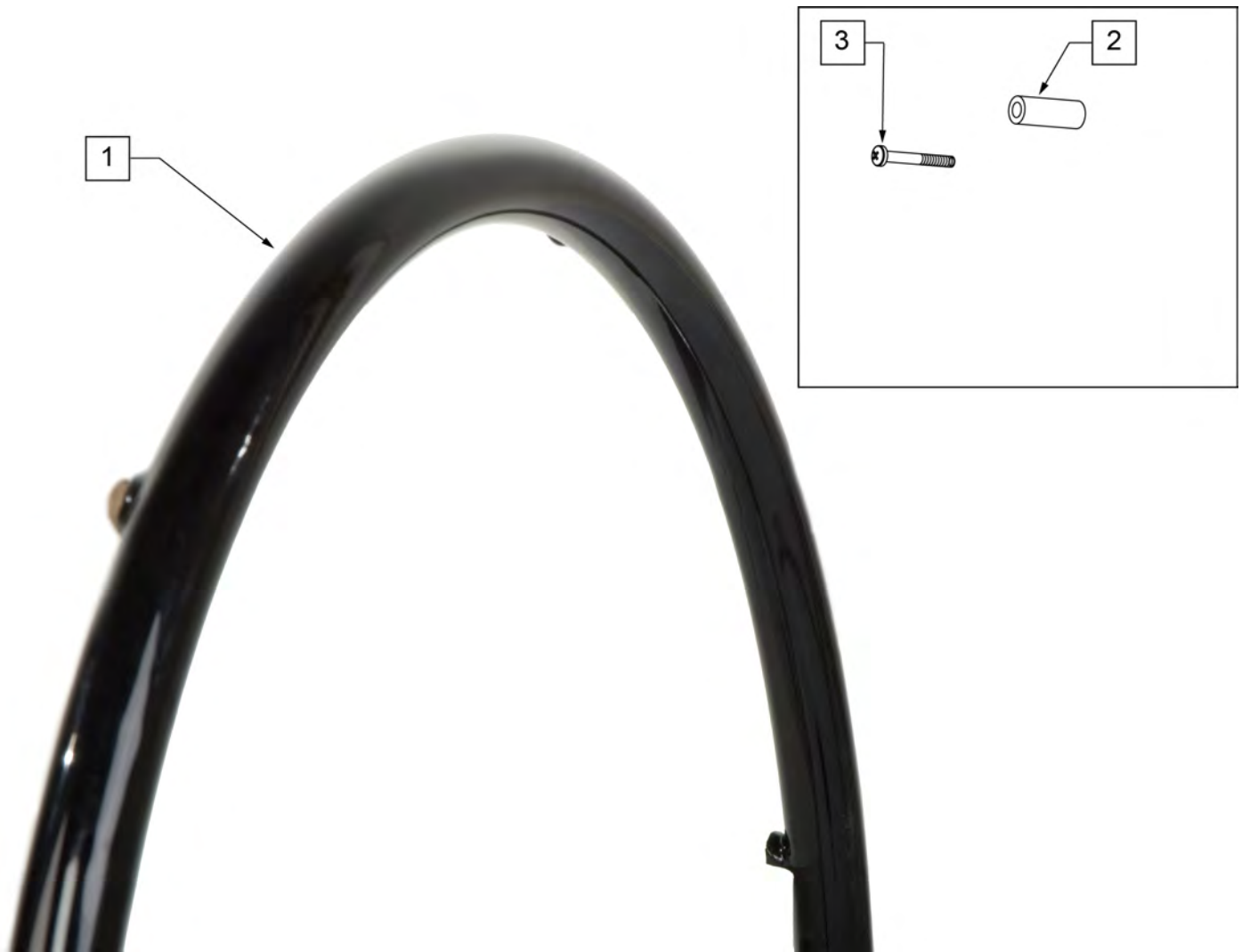
Note: used on Spinergy SPOX and LX wheels.



| Pos. | Item Number | Description | Remarks |
|------|-------------|--------------------------------|----------|
| 1-4 | 159501 | 24IN HANDRIM TAB Q-GRIP W/HDWR | |
| 1-4 | 159502 | 25IN HANDRIM TAB Q-GRIP W/HDWR | |
| 2-4 | 159503 | HANDRIM TAB Q-GRIP HARDWARE | set of 6 |

Note: Handrim is Latex free.

Note: used on Lite Spoke Wheels.

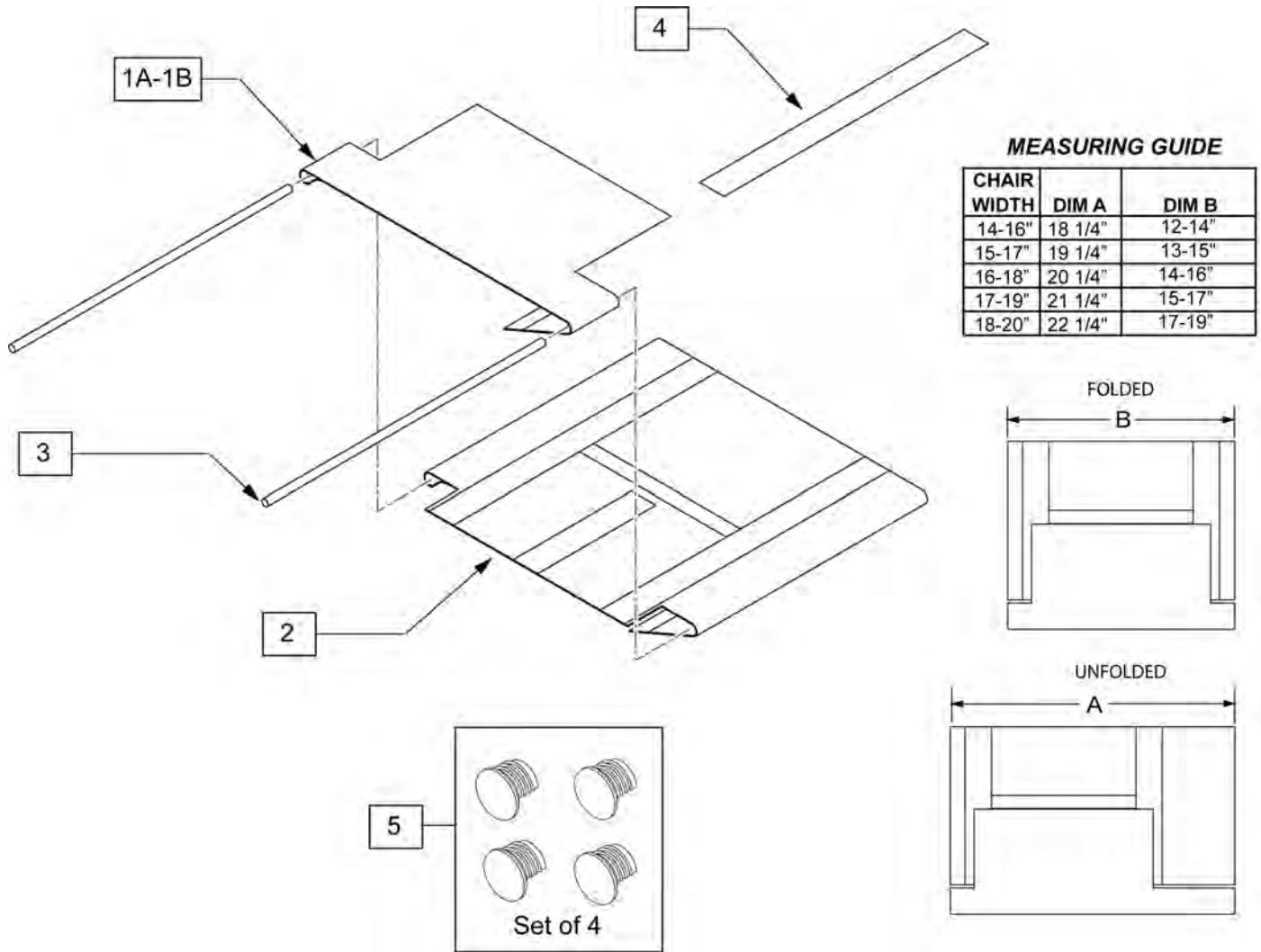


| Pos. | Item Number | Description | Remarks |
|------|-------------|-------------------------------|----------|
| 1-3 | 159504 | 24 HNDRIM RVNUT Q-GRIP W/HDWR | |
| 1-3 | 159505 | 25 HNDRIM RVNUT Q-GRIP W/HDWR | |
| 2,3 | 159506 | Q-GRIP HARDWARE | set of 6 |



| Pos. | Item Number | Description | Remarks |
|------|--------------|------------------------------|-------------------|
| 1A | Discontinued | Presta Valves Discontinued | |
| 1A | 384736 | INNER TUBE 12-1/2" X 2-1/4" | |
| 1A | 384738 | 16" X 1.75" INNER TUBE | |
| 1A | 382255 | TUBE 18" TIRE | 18" X 1-3/4" TUBE |
| 1A | 382275 | 20" TUBE | 20" 1-3/8" TUBE |
| 1A | 382300 | 22" TUBE | 22" X 1-3/8" TUBE |
| 1A | 382336 | TUBE PRIMO 24" 25-540 SV | 24" X 1" TUBE |
| 1A | 382325 | 24 X 1.3/8IN TUBE REG | |
| 1A | 382334 | TUBE INLINE 24 X 1.75 | |
| 1A | 384551 | 26" X 1" TUBE SCHRADER | |
| 1A | 382350 | 26" TUBE | 26" X 1-3/8" TUBE |
| 1A | 382361 | TUBE 26 X 1.5/1.95/ S/V | |
| 1A | 382365 | 26 X 1.25/1.5 TUBE SHRADER | |
| 1A | 382375 | 24" x 2.125 TUBE | |
| 1B | 102972-001 | 12 1/2 IN AIRLESS INSERT | 12-1/2" X 2-1/4" |
| 1B | 102973-001 | 16IN AIRLESS INSERT | 16" X 1-3/4" |
| 1B | 102973-002 | 18IN AIRLESS INSERT | 18" X 1-3/4" |
| 1B | 102973-003 | 20IN AIRLESS INSERT | 20" X 1-3/8" |
| 1B | 102972-002 | AIRLESS INSERT 20 X 2-1/8 P3 | |
| 1B | 102973-004 | 22IN AIRLESS INSERT | 22" X 1-3/8" |
| 1B | 102973-005 | 24IN AIRLESS INSERT | 24" X 1-3/8" |
| 1B | 102972-003 | AIRLESS INSERT 24 X 2-1/8 | |
| 1B | 108259 | 26" AIRLESS INSERT | 26" X 1-3/8" |

Note: for proper fit open the velcro flap on the under side of the sling for installation; the sling may measure short, but by opening the flap it will adjust to fit the frame.



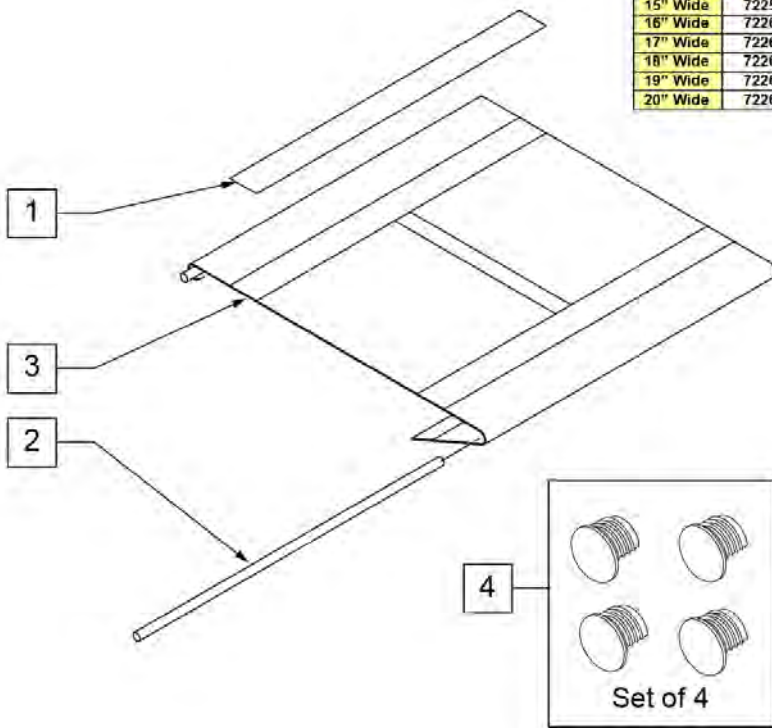
| Pos. | Item Number | Description | Remarks | Pos. | Item Number | Description | Remarks |
|------|-------------|------------------------------|---------|------|-------------|------------------------------|----------|
| 1,2 | 118746 | 14 SEAT SLING DPTH ADJ 14-15 | | 1,2 | 120611 | 19 SEAT SLING DPTH ADJ 16-20 | |
| 1,2 | 118747 | 15 SEAT SLING DPTH ADJ 14-15 | | 1,2 | 120612 | 20 SEAT SLING DPTH ADJ 16-20 | |
| 1,2 | 118748 | 16 SEAT SLING DPTH ADJ 14-15 | | 3 | 580230 | SEAT SLING RETAINING ROD 14" | |
| 1,2 | 118749 | 17 SEAT SLING DPTH ADJ 14-15 | | 3 | 580231 | SEAT SLING RETAINING ROD 15" | |
| 1,2 | 118750 | 18 SEAT SLING DPTH ADJ 14-15 | | 3 | 580232 | SEAT SLING RETAINING ROD 16" | |
| 1,2 | 118751 | 19 SEAT SLING DPTH ADJ 14-15 | | 3 | 580233 | SEAT SLING RETAINING ROD 17" | |
| 1,2 | 118752 | 20 SEAT SLING DPTH ADJ 14-15 | | 3 | 580234 | SEAT SLING RETAINING ROD 18" | |
| 1,2 | 120606 | 14 SEAT SLING DPTH ADJ 16-20 | | 3 | 580235 | SEAT SLING RETAINING ROD 19" | |
| 1,2 | 120607 | 15 SEAT SLING DPTH ADJ 16-20 | | 3 | 580236 | SEAT SLING RETAINING ROD 20" | |
| 1,2 | 120608 | 16 SEAT SLING DPTH ADJ 16-20 | | 4 | 901169 | SEAT SLING VELCRO STRIP 2" | |
| 1,2 | 120609 | 17 SEAT SLING DPTH ADJ 16-20 | | 5 | 108117 | SEAT RAIL END PLUG KIT | Set of 4 |
| 1,2 | 120610 | 18 SEAT SLING DPTH ADJ 16-20 | | | | | |

Note: When replacing the Seat Sling it is recommended to order the Seat Rail End Plug Kit.

Note: the Seat Sling will be 3" narrower than the seat width due to the cross brace being mounted in between the side frames.

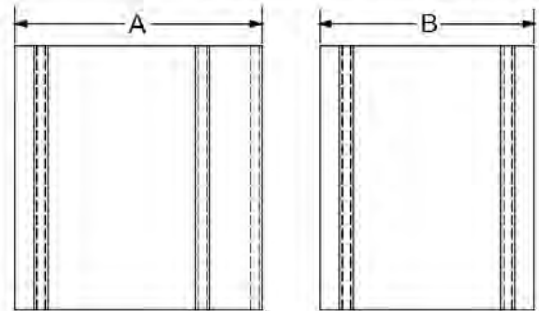
Note: for proper fit open the velcro flap on the under side of the sling for installation; the sling may measure short, but by opening the flap it will adjust to fit the frame.

| | 14" Deep | 15" Deep | 16" Deep | 17" Deep | 18" Deep | 19" Deep | 20" Deep |
|----------|----------|----------|----------|----------|----------|----------|----------|
| 14" Wide | 722584 | 722585 | 722586 | 722587 | 241515 | 241516 | 241517 |
| 15" Wide | 722594 | 722595 | 722596 | 722597 | 722598 | 241518 | 241519 |
| 16" Wide | 722604 | 722605 | 722606 | 722607 | 722608 | 722609 | 722610 |
| 17" Wide | 722620 | 722621 | 722622 | 722623 | 722624 | 722625 | 722626 |
| 18" Wide | 722630 | 722631 | 722632 | 722633 | 722634 | 722635 | 722636 |
| 19" Wide | 722640 | 722641 | 722642 | 722643 | 722644 | 722645 | 722646 |
| 20" Wide | 722650 | 722651 | 722652 | 722653 | 722654 | 722655 | 722656 |



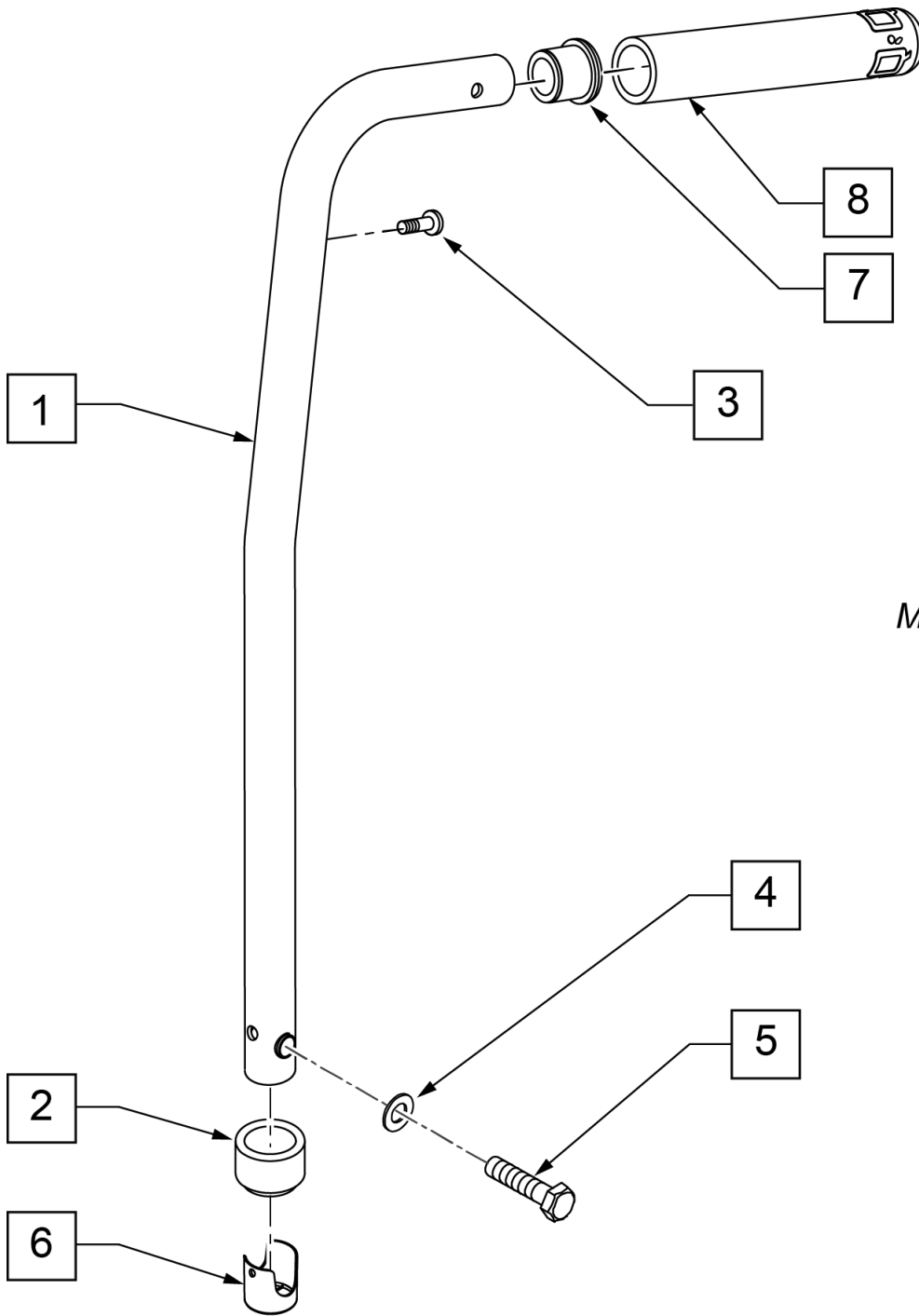
MEASURING GUIDE

| CHAIR WIDTH | DIM A | DIM B |
|-------------|--------|-------|
| 14" | 15.25" | 12" |
| 15" | 16.25" | 13" |
| 16" | 17.25" | 14" |
| 17" | 18.25" | 15" |
| 18" | 19.25" | 16" |
| 19" | 20.25" | 17" |
| 20" | 21.25" | 18" |

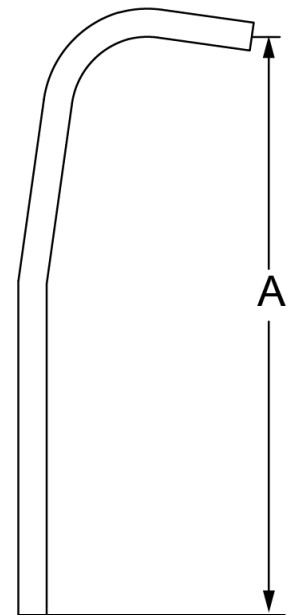


| Pos. | Item Number | Description | Remarks |
|------|-------------|------------------------------|-------------------|
| 1 | 901169 | SEAT SLING VELCRO STRIP 2" | |
| 2 | 580230 | SEAT SLING RETAINING ROD 14" | |
| 2 | 580231 | SEAT SLING RETAINING ROD 15" | |
| 2 | 580232 | SEAT SLING RETAINING ROD 16" | |
| 2 | 580233 | SEAT SLING RETAINING ROD 17" | |
| 2 | 580234 | SEAT SLING RETAINING ROD 18" | |
| 2 | 580235 | SEAT SLING RETAINING ROD 19" | |
| 2 | 580236 | SEAT SLING RETAINING ROD 20" | |
| | | 14" Frame Width | |
| 3 | 722584 | SEAT SLING 11" X 14" CHNL | Use for 14" x 14" |
| 3 | 722585 | SEAT SLING 11" X 15" CHNL | Use for 14" x 15" |
| 3 | 722586 | SEAT SLING 11" X 16" CHNL | Use for 14" x 16" |
| 3 | 722587 | SEAT SLING 11" X 17" CHNL | Use for 14" x 17" |
| 3 | 241515 | SEAT SLING 11" X 18" CHNL | Use for 14" x 18" |
| 3 | 241516 | SEAT SLING 11" X 19" CHNL | Use for 14" x 19" |

| Pos. | Item Number | Description | Remarks |
|------|-------------|---------------------------|-------------------|
| 3 | 241517 | SEAT SLING 11" X 20" CHNL | Use for 14" x 20" |
| | | 15" Frame Width | |
| 3 | 722594 | SEAT SLING 12" X 14" CHNL | Use for 15" x 14" |
| 3 | 722595 | SEAT SLING 12" X 15" CHNL | Use for 15" x 15" |
| 3 | 722596 | SEAT SLING 12" X 16" CHNL | Use for 15" x 16" |
| 3 | 722597 | SEAT SLING 12" X 17" CHNL | Use for 15" x 17" |
| 3 | 722598 | SEAT SLING 12" X 18" CHNL | Use for 15" x 18" |
| 3 | 241518 | SEAT SLING 12" X 19" CHNL | Use for 15" x 19" |
| 3 | 241519 | SEAT SLING 12" X 20" CHNL | Use for 15" x 20" |
| | | 16" Frame Width | |
| 3 | 722604 | SEAT SLING 13" X 14" CHNL | Use for 16" x 14" |
| 3 | 722605 | SEAT SLING 13" X 15" CHNL | Use for 16" x 15" |
| 3 | 722606 | SEAT SLING 13" X 16" CHNL | Use for 16" x 16" |
| 3 | 722607 | SEAT SLING 13" X 17" CHNL | Use for 16" x 17" |
| 3 | 722608 | SEAT SLING 13" X 18" CHNL | Use for 16" x 18" |
| 3 | 722609 | SEAT SLING 13" X 19" CHNL | Use for 16" x 19" |
| 3 | 722610 | SEAT SLING 13" X 20" CHNL | Use for 16" x 20" |
| | | 17" Frame Width | |
| 3 | 722620 | SEAT SLING 14" X 14" CHNL | Use for 17" x 14" |
| 3 | 722621 | SEAT SLING 14" X 15" CHNL | Use for 17" x 15" |
| 3 | 722622 | SEAT SLING 14" X 16" CHNL | Use for 17" x 16" |
| 3 | 722623 | SEAT SLING 14" X 17" CHNL | Use for 17" x 17" |
| 3 | 722624 | SEAT SLING 14" X 18" CHNL | Use for 17" x 18" |
| 3 | 722625 | SEAT SLING 14" X 19" CHNL | Use for 17" x 19" |
| 3 | 722626 | SEAT SLING 14" X 20" CHNL | Use for 17" x 20" |
| | | 18" Frame Width | |
| 3 | 722630 | SEAT SLING 15" X 14" CHNL | Use for 18" x 14" |
| 3 | 722631 | SEAT SLING 15" X 15" CHNL | Use for 18" x 15" |
| 3 | 722632 | SEAT SLING 15" X 16" CHNL | Use for 18" x 16" |
| 3 | 722633 | SEAT SLING 15" X 17" CHNL | Use for 18" x 17" |
| 3 | 722634 | SEAT SLING 15" X 18" CHNL | Use for 18" x 18" |
| 3 | 722635 | SEAT SLING 15" X 19" CHNL | Use for 18" x 19" |
| 3 | 722636 | SEAT SLING 15" X 20" CHNL | Use for 18" x 20" |
| | | 19" Frame Width | |
| 3 | 722640 | SEAT SLING 16" X 14" CHNL | Use for 19" x 14" |
| 3 | 722641 | SEAT SLING 16" X 15" CHNL | Use for 19" x 15" |
| 3 | 722642 | SEAT SLING 16" X 16" CHNL | Use for 19" x 16" |
| 3 | 722643 | SEAT SLING 16" X 17" CHNL | Use for 19" x 17" |
| 3 | 722644 | SEAT SLING 16" X 18" CHNL | Use for 19" x 18" |
| 3 | 722645 | SEAT SLING 16" X 19" CHNL | Use for 19" x 19" |
| 3 | 722646 | SEAT SLING 16" X 20" CHNL | Use for 19" x 20" |
| | | 20" Frame Width | |
| 3 | 722650 | SEAT SLING 17" X 14" CHNL | Use for 20" x 14" |
| 3 | 722651 | SEAT SLING 17" X 15" CHNL | Use for 20" x 15" |
| 3 | 722652 | SEAT SLING 17" X 16" CHNL | Use for 20" x 16" |
| 3 | 722653 | SEAT SLING 17" X 17" CHNL | Use for 20" x 17" |
| 3 | 722654 | SEAT SLING 17" X 18" CHNL | Use for 20" x 18" |
| 3 | 722655 | SEAT SLING 17" X 19" CHNL | Use for 20" x 19" |
| 3 | 722656 | SEAT SLING 17" X 20" CHNL | Use for 20" x 20" |
| 4 | 108117 | SEAT RAIL END PLUG KIT | Set of 4 |

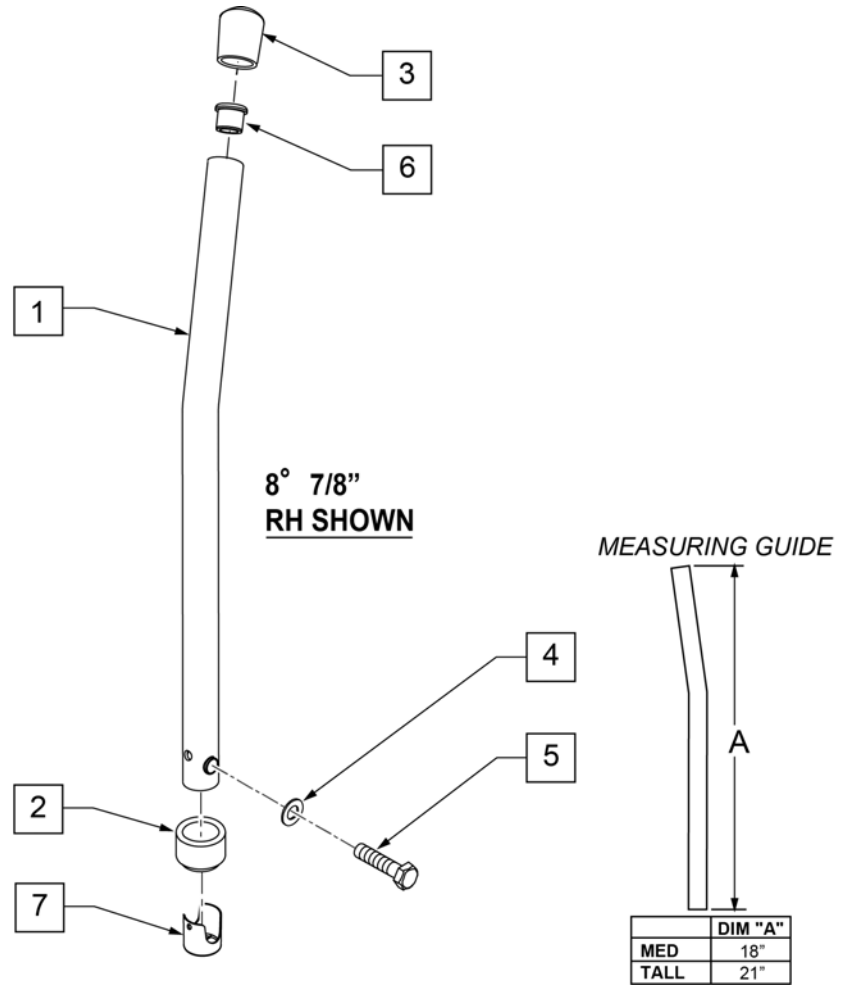


MEASURING GUIDE

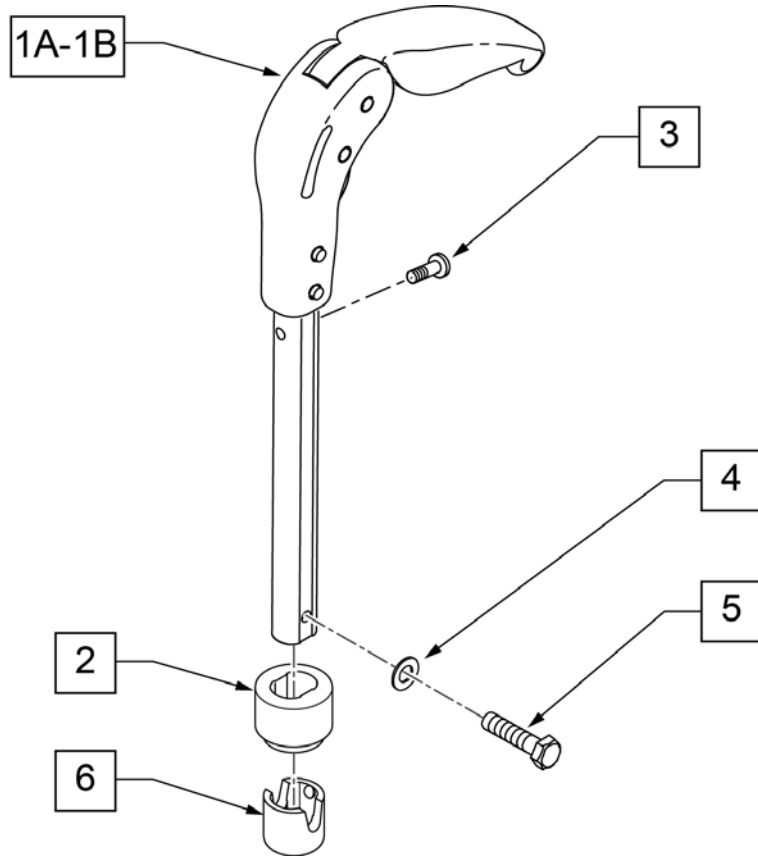


| | DIM "A" |
|------|---------|
| MED | 20 1/4" |
| TALL | 23" |

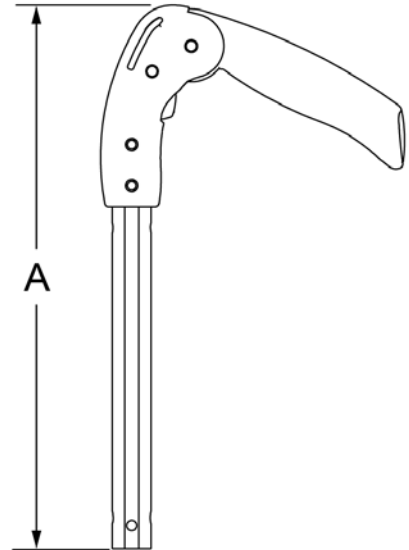
| Pos. | Item Number | Description | Remarks |
|---------|-------------|-------------------------------|--------------------------|
| 2 | 561083 | 1 1/8" TUBE END BUSHING | |
| 3 | 107384 | PAN HD PHIL 10/32 x 5/8 ROHS | |
| 4 | 104414 | WAVE WASHER 6 MM | |
| 5 | 118192 | HHCS M6X1X20 PL | |
| 6 | 106919 | BUSHING BACKREST 7/8 OD NF | |
| 7 | 561007 | 7/8" INSERT PLUG .083 | |
| 8 | 920024 | QUICKIE GRIP 7/8 | |
| 1,2,7,8 | 107335 | TUBE BK 8DPH ASSY 7/8 TAL RH | Right-Med for QXi |
| 1,2,7,8 | 107336 | TUBE BK 8DPH ASSY 7/8 TAL LH | Left-Med for QXi |
| 1,2,7,8 | 118177 | TUBE BK 8DPH ASSY 7/8 15.1 RH | Right-Tall for QXi |
| 1,2,7,8 | 118178 | TUBE BK 8DPH ASSY 7/8 15.1 LH | Left-Tall for QXi |
| 1,2,7,8 | 134649 | TUBE BACK 8DPH STEEL 18.1 RH | Right-Extra Tall for QXi |
| 1,2,7,8 | 134653 | TUBE BACK 8DPH STEEL 18.1 LH | Left-Extra Tall for QXi |
| 4-6 | 161232 | BACK ATTACHMENT KIT QX | |



| Pos. | Item Number | Description | Remarks |
|---------|-------------|----------------------------|--------------------------------------------|
| 2 | 561083 | 1 1/8" TUBE END BUSHING | |
| 3 | 561013 | 7/8" CAP | |
| 4 | 104414 | WAVE WASHER 6 MM | |
| 5 | 118192 | HHCS M6X1X20 PL | |
| 6 | 561007 | 7/8" INSERT PLUG .083 | |
| 7 | 106919 | BUSHING BACKREST 7/8 OD NF | |
| 1,2,3,6 | 107339 | TUBE BACK 8° ASSM TALL RH | RIGHT MED 8° NON-PUSH HANDLE (OMIT PH) |
| 1,2,3,6 | 107340 | TUBE BACK 8D ASSY TALL LH | LEFT MED 8° NON-PUSH HANDLE (OMIT PH) |
| 1,2,3,6 | 118175 | TUBE BACK 8D ASSY 15.1 RH | RIGHT TALL 8° NON-PUSH HANDLE (OMIT PH) |
| 1,2,3,6 | 118176 | TUBE BACK 8D ASSY 15.1 LH | LEFT TALL 8° DEG NON-PUSH HANDLE (OMIT PH) |

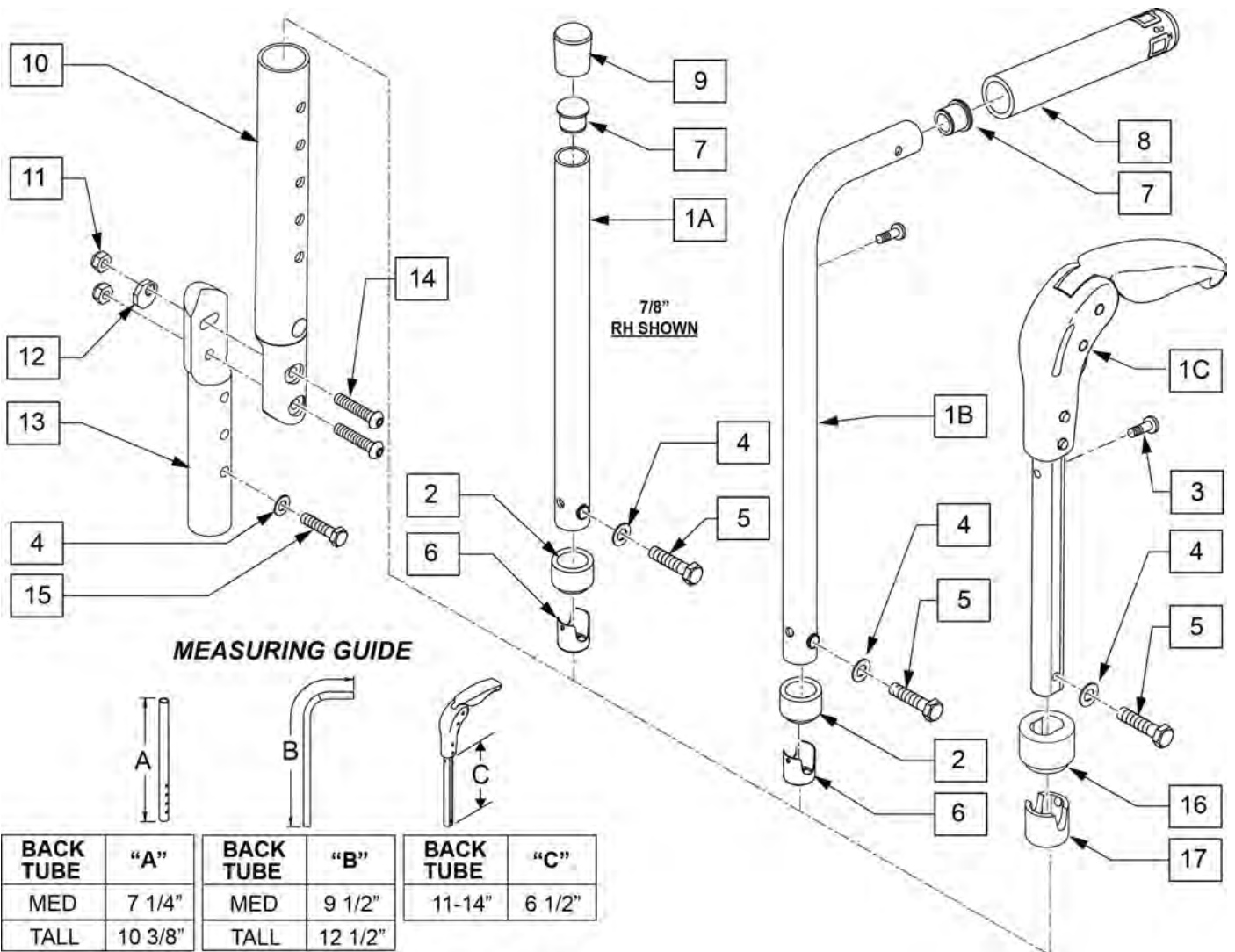


MEASURING GUIDE



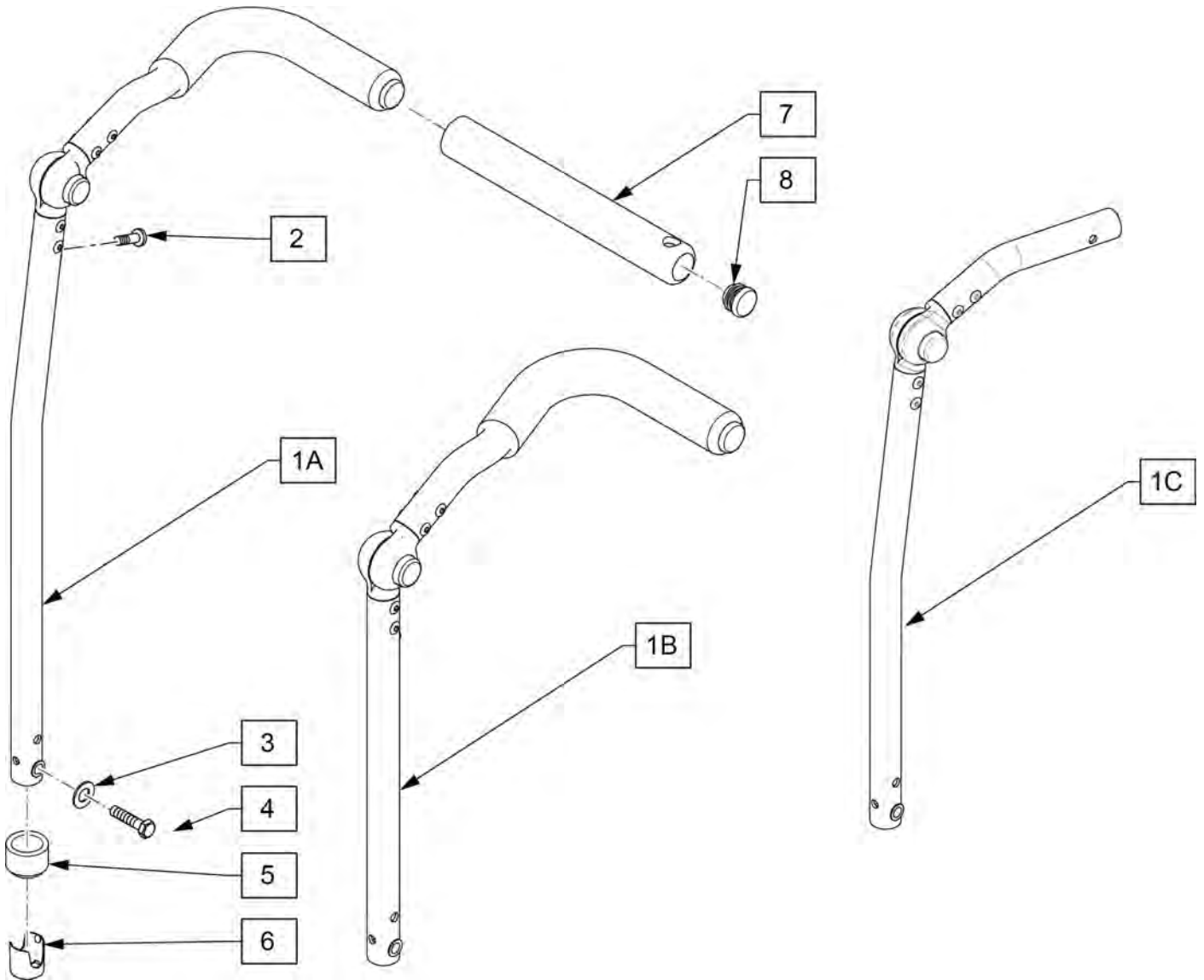
| DIM "A" | DESCRIPTION |
|---------|-------------|
| 18.75" | MED |
| 21.75" | TALL |

| Pos. | Item Number | Description | Remarks |
|------|-------------|-------------------------------|---------|
| 1A | 118179 | ASSY FOLD DOWN PH 16.50 | Med |
| 1B | 118180 | ASSY FOLD DOWN PH 19.50 | Tall |
| 2 | 118766 | 1-1/8 TUBE END BUSHING FLD PH | |
| 3 | 107384 | PAN HD PHIL 10/32 X 5/8 ROHS | |
| 4 | 104414 | WAVE WASHER 6 MM | |
| 5 | 118192 | HHCS M6X1X20 PL | |
| 6 | 118758 | BUSHING BCKRST FLDG 1.125 | |



| Pos. | Item Number | Description | Remarks |
|--------------|-------------|-------------------------------|------------------------------------------|
| 1C | 882605 | FLDG PSH HNDL W/INSRT 11"-14 | Tall |
| 2 | 561083 | 1 1/8" TUBE END BUSHING | |
| 3 | 107384 | PAN HD PHIL 10/32 x 5/8 ROHS | |
| 4 | 104414 | WAVE WASHER 6MM | |
| 5 | 118192 | HHCS M6X1X20 PL | |
| 6 | 106919 | BUSHING BACKREST 7/8 OD NF | |
| 7 | 561007 | 7/8" INSERT PLUG .083 | |
| 8 | 920024 | QUICKIE GRIP 7/8 | |
| 9 | 561013 | 7/8" CAP | |
| 11 | 104381 | NUT HEX NYLOCK M6X1.0 | |
| 12 | 119342 | ECCENTRIC WASHER MET | |
| 14 | 102262-005 | BHCS, M6X1X30,FULL,NP | |
| 15 | 118758 | BUSHING BCKRST FLDG 1.125 | |
| 16 | 118766 | 1-1/8 TUBE END BUSHING FLD PH | |
| 17 | 118758 | BUSHING BCKRST FLDG 1.125 | |
| 1A,2,4,5,7,9 | 118173 | TUBE BACK ASSY 7/8 7.3 RH | RIGHT MED STD NON-PUSH HANDLE (OMIT PH) |
| 1A,2,4,5,7,9 | 118174 | TUBE BACK ASSY 7/8 7.3 LH | LEFT MED STD NON-PUSH HANDLE (OMIT PH) |
| 1A,2,4,5,7,9 | 118171 | TUBE BACK ASSY 7/8 10.3 RH | RIGHT TALL STD NON-PUSH HANDLE (OMIT PH) |

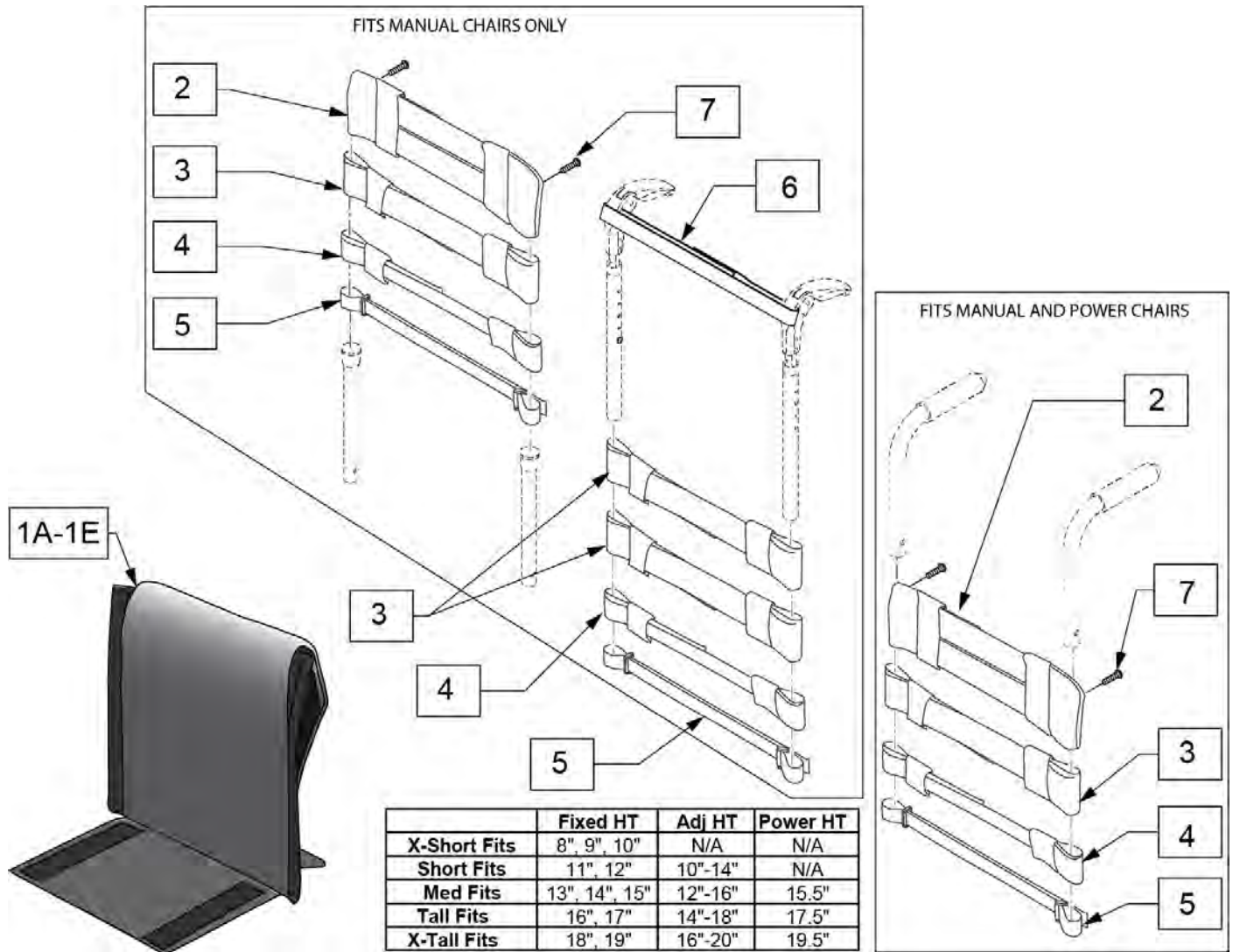
| Pos. | Item Number | Description | Remarks |
|--------------|-------------|-------------------------------|-----------------------------------------|
| 1A,2,4,5,7,9 | 118172 | TUBE BACK ASSY 7/8 10.3 LH | LEFT TALL STD NON-PUSH HANDLE (OMIT PH) |
| 1B,2,7,8 | 118167 | TUBE BACK PH ASSY 7/8 10.3 RH | Right |
| 1B,2,7,8 | 118168 | TUBE BACK PH ASSY 7/8 10.3 LH | Left |
| 1B,2,7,8 | 118169 | TUBE BACK PH ASSY 7/8 7.3 RH | Right |
| 1B,2,7,8 | 118170 | TUBE BACK PH ASSY 7/8 7.3 LH | Left |
| 10-14 | 120619 | ANGLE ADJ BCK LWR ASSY RH | Right |
| 10-14 | 120620 | ANGLE ADJ BCK LWR ASSY LH | Left |



| Pos. | Item Number | Description | Remarks |
|--------|-------------|--------------------------------|---------|
| 1A,5-8 | 241610 | 13-17 BK HT RH M RIVNUT | Right |
| 1A,5-8 | 241611 | 13-17 BK HT LH M RIVNUT | Left |
| 1A,5-8 | 241612 | 16-20 BK HT RH M RIVNUT | Right |
| 1A,5-8 | 241613 | 16-20 BK HT LH M RIVNUT | Left |
| 1A,5-8 | 241621 | 19-22 BK HT RH M RIVNUT | Right |
| 1A,5-8 | 241622 | 19-22 BK HT LH M RIVNUT | Left |
| 1B,5-8 | 241626 | STD BK 13-17 HT ADJ PH R | Right |
| 1B,5-8 | 241627 | STD BK 13-17 HT ADJ PH L | Left |
| 1B,5-8 | 241628 | STD BK 16-20 HT ADJ PH R | Right |
| 1B,5-8 | 241629 | STD BK 16-20 HT ADJ PH L | Left |
| 1B,5-8 | 241634 | STD BK 19-22 HT ADJ PH R | Right |
| 1B,5-8 | 241635 | STD BK 19-22 HT ADJ PH L | Left |
| 1B,5-8 | 241658 | STD BK 13-19 HT ANG ADJ PH R | Right |
| 1B,5-8 | 241659 | STD BK 13-19 HT ANG ADJ PH L | Left |
| 1B,5-8 | 241660 | STD BK 16-22 HT ANG ADJ PH R | Right |
| 1B,5-8 | 241661 | STD BK 16-22 HT ANG ADJ PH L | Left |
| 1C,5,6 | 241245 | STAB BAR STRLLR HANDLE TALL RH | Right |

| Pos. | Item Number | Description | Remarks |
|--------|-------------|--------------------------------|---------|
| 1C,5,6 | 241246 | STAB BAR STRLLR HANDLE TALL LH | Left |
| 2 | 107384 | PAN HD PHIL 10/32 X 5/8 ROHS | |
| 3 | 104414 | WAVE WASHER 6 MM | |
| 4 | 118192 | HHCS M6 X 1 X 20 PL | |
| 5 | 561083 | 1-1/8" TUBE END BUSHING THIN | |
| 6 | 106919 | BUSHING BACKREST 7/8 OD NF | |
| 7 | 560638 | FOAM GRIP | |
| 8 | 560735 | 7/8" ROUND TUBE PLUG | |
| 3,4,6 | 161232 | BACK ATTACHMENT KIT QX | |

Note: Each back height uses a different variation of back straps; replacement strap kits contain more straps than needed to support all back heights.

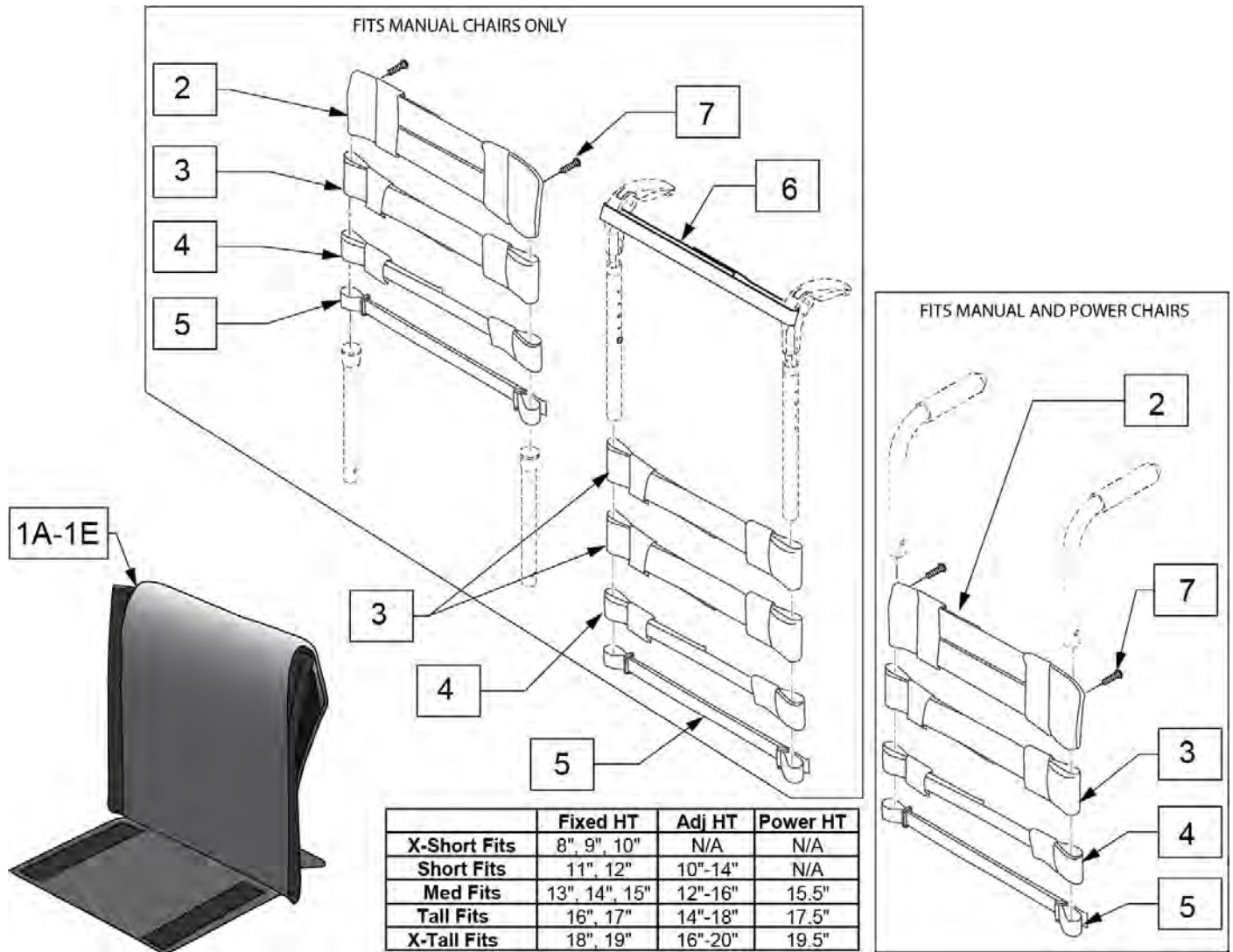


| Pos. | Item Number | Description | Remarks |
|------|-------------|--------------------------|-------------------------------------------------------|
| 2 | 113712 | TOP CAP, STD, 11 -12" | Used for Omit Push Handle & Integral Push Handle only |
| 2 | 113713 | TOP CAP, STD, 13 -14" | Used for Omit Push Handle & Integral Push Handle only |
| 2 | 113714 | TOP CAP, STD, 15 -16" | Used for Omit Push Handle & Integral Push Handle only |
| 2 | 113715 | TOP CAP, STD, 17 -18" | Used for Omit Push Handle & Integral Push Handle only |
| 2 | 113716 | TOP CAP, STD, 19 -20" | Used for Omit Push Handle & Integral Push Handle only |
| 3 | 113727 | STRAP PADDED 2", 11 -12" | |
| 3 | 113728 | STRAP PADDED 2", 13 -14" | |
| 3 | 113729 | STRAP PADDED 2", 15 -16" | |
| 3 | 113730 | STRAP PADDED 2", 17 -18" | |
| 3 | 113731 | STRAP PADDED 2", 19 -20" | |
| 4 | 113732 | STRAP PADDED 1", 11 -12" | |
| 4 | 113733 | STRAP PADDED 1", 13 -14" | |
| 4 | 113734 | STRAP PADDED 1", 15 -16" | |
| 4 | 113735 | STRAP PADDED 1", 16 -17" | |

| Pos. | Item Number | Description | Remarks |
|--------|-------------|--------------------------------|-----------------------------|
| 4 | 113736 | STRAP PADDED 1", 18 -19" | |
| 5 | 113717 | POSITION STRAP 1", 11 -12 | |
| 5 | 113718 | POSITION STRAP 1", 13 -14 | |
| 5 | 113719 | POSITION STRAP 1", 15 -16 | |
| 5 | 113720 | POSITION STRAP 1", 17 -18 | |
| 5 | 113721 | POSITION STRAP 1", 19 -20 | |
| 6 | 052435-001 | UPH,VNTD ADJ.,FPH STRP,12-13"W | Fold Down Push Handles only |
| 6 | 052435-002 | UPH,VNTD ADJ.,FPH STRP,14-15"W | Fold Down Push Handles only |
| 6 | 052435-003 | UPH,VNTD ADJ.,FPH STRP,16-17"W | Fold Down Push Handles only |
| 6 | 052435-004 | UPH,VNTD ADJ.,FPH STRP,18-20"W | Fold Down Push Handles only |
| 7 | 107384 | PAN HD PHIL 10/32 X 5/8 ROHS | |
| 2-7 | 114879 | ADJ UPH 11-12W STRAP KIT | |
| 2-7 | 114880 | ADJ UPH 13-14W STRAP KIT | |
| 2-7 | 114881 | ADJ UPH 15-16W STRAP KIT | |
| 2-7 | 114882 | ADJ UPH 17-18W STRAP KIT | |
| 2-7 | 114883 | ADJ UPH 19-20W STRAP KIT | |
| 1A,2-7 | 113321-001 | ADJ UP 12W X-SHT ASM | |
| 1B,2-7 | 113321-002 | ADJ UP 12W SHT ASM | |
| 1C,2-7 | 113321-003 | ADJ UP 12W MED ASM | |
| 1D,2-7 | 113321-004 | ADJ UP 12W TAL ASM | |
| 1E,2-7 | 113321-005 | ADJ UP 12W X-TAL ASM | |
| 1A,2-7 | 113321-006 | ADJ UP 13W X-SHT ASM | |
| 1B,2-7 | 113321-007 | ADJ UP 13W SHT ASM | |
| 1C,2-7 | 113321-008 | ADJ UP 13W MED ASM | |
| 1D,2-7 | 113321-009 | ADJ UP 13W TAL ASM | |
| 1E,2-7 | 113321-010 | ADJ UP 13W X-TAL ASM | |
| 1A,2-7 | 113321-011 | ADJ UP 14W X-SHT ASM | |
| 1B,2-7 | 113321-012 | ADJ UP 14W SHT ASM | |
| 1C,2-7 | 113321-013 | ADJ UP 14W MED ASM | |
| 1D,2-7 | 113321-014 | ADJ UP 14W TAL ASM | |
| 1E,2-7 | 113321-015 | ADJ UP 14W X-TAL ASM | |
| 1A,2-7 | 113321-016 | ADJ UP 15W X-SHT ASM | |
| 1B,2-7 | 113321-017 | ADJ UP 15W SHT ASM | |
| 1C,2-7 | 113321-018 | ADJ UP 15W MED ASM | |
| 1D,2-7 | 113321-019 | ADJ UP 15W TAL ASM | |
| 1E,2-7 | 113321-020 | ADJ UP 15W X-TAL ASM | |
| 1A,2-7 | 113321-021 | ADJ UP 16W X-SHT ASM | |
| 1B,2-7 | 113321-022 | ADJ UP 16W SHT ASM | |
| 1C,2-7 | 113321-023 | ADJ UP 16W MED ASM | |
| 1D,2-7 | 113321-024 | ADJ UP 16W TAL ASM | |
| 1E,2-7 | 113321-025 | ADJ UP 16W X-TAL ASM | |
| 1A,2-7 | 113321-026 | ADJ UP 17W X-SHT ASM | |
| 1B,2-7 | 113321-027 | ADJ UP 17W SHT ASM | |
| 1C,2-7 | 113321-028 | ADJ UP 17W MED ASM | |
| 1D,2-7 | 113321-029 | ADJ UP 17W TAL ASM | |
| 1E,2-7 | 113321-030 | ADJ UP 17W X-TAL ASM | |
| 1A,2-7 | 113321-031 | ADJ UP 18W X-SHT ASM | |
| 1B,2-7 | 113321-032 | ADJ UP 18W SHT ASM | |
| 1C,2-7 | 113321-033 | ADJ UP 18W MED ASM | |
| 1D,2-7 | 113321-034 | ADJ UP 18W TAL ASM | |
| 1E,2-7 | 113321-035 | ADJ UP 18W X-TAL ASM | |
| 1A,2-7 | 113321-036 | ADJ UP 19W X-SHT ASM | |
| 1B,2-7 | 113321-037 | ADJ UP 19W SHT ASM | |
| 1C,2-7 | 113321-038 | ADJ UP 19W MED ASM | |
| 1D,2-7 | 113321-039 | ADJ UP 19W TAL ASM | |
| 1E,2-7 | 113321-040 | ADJ UP 19W X-TAL ASM | |
| 1A,2-7 | 113321-041 | ADJ UP 20W X-SHT ASM | |

| Pos. | Item Number | Description | Remarks |
|-------------|--------------------|----------------------|----------------|
| 1B,2-7 | 113321-042 | ADJ UP 20W SHT ASM | |
| 1C,2-7 | 113321-043 | ADJ UP 20W MED ASM | |
| 1D,2-7 | 113321-044 | ADJ UP 20W TAL ASM | |
| 1E,2-7 | 113321-045 | ADJ UP 20W X-TAL ASM | |

Note: Each back height uses a different variation of back straps; replacement strap kits contain more straps than needed to support all back heights.

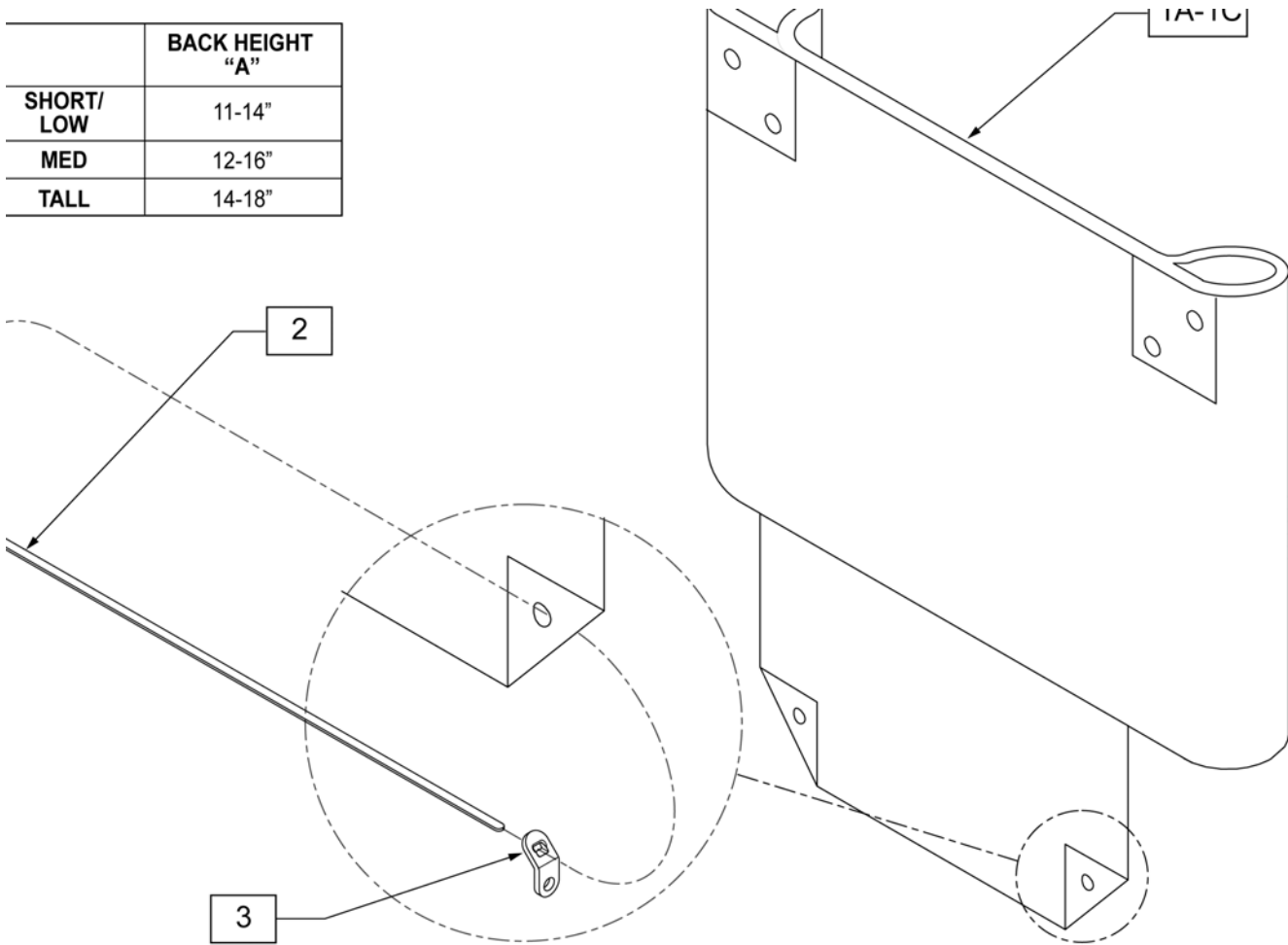


| Pos. | Item Number | Description | Remarks |
|------|-------------|--------------------------|-------------------------------------------------------|
| 2 | 113712 | TOP CAP, STD, 11 -12" | Used for Omit Push Handle & Integral Push Handle only |
| 2 | 113713 | TOP CAP, STD, 13 -14" | Used for Omit Push Handle & Integral Push Handle only |
| 2 | 113714 | TOP CAP, STD, 15 -16" | Used for Omit Push Handle & Integral Push Handle only |
| 2 | 113715 | TOP CAP, STD, 17 -18" | Used for Omit Push Handle & Integral Push Handle only |
| 2 | 113716 | TOP CAP, STD, 19 -20" | Used for Omit Push Handle & Integral Push Handle only |
| 3 | 113727 | STRAP PADDED 2", 11 -12" | |
| 3 | 113728 | STRAP PADDED 2", 13 -14" | |
| 3 | 113729 | STRAP PADDED 2", 15 -16" | |
| 3 | 113730 | STRAP PADDED 2", 17 -18" | |
| 3 | 113731 | STRAP PADDED 2", 19 -20" | |
| 4 | 113732 | STRAP PADDED 1", 11 -12" | |
| 4 | 113733 | STRAP PADDED 1", 13 -14" | |
| 4 | 113734 | STRAP PADDED 1", 15 -16" | |
| 4 | 113735 | STRAP PADDED 1", 16 -17" | |

| Pos. | Item Number | Description | Remarks |
|--------|-------------|--------------------------------|-----------------------------|
| 4 | 113736 | STRAP PADDED 1", 18 -19" | |
| 5 | 113717 | POSITION STRAP 1", 11 -12 | |
| 5 | 113718 | POSITION STRAP 1", 13 -14 | |
| 5 | 113719 | POSITION STRAP 1", 15 -16 | |
| 5 | 113720 | POSITION STRAP 1", 17 -18 | |
| 5 | 113721 | POSITION STRAP 1", 19 -20 | |
| 6 | 052435-001 | UPH,VNTD ADJ.,FPH STRP,12-13"W | Fold Down Push Handles only |
| 6 | 052435-002 | UPH,VNTD ADJ.,FPH STRP,14-15"W | Fold Down Push Handles only |
| 6 | 052435-003 | UPH,VNTD ADJ.,FPH STRP,16-17"W | Fold Down Push Handles only |
| 6 | 052435-004 | UPH,VNTD ADJ.,FPH STRP,18-20"W | Fold Down Push Handles only |
| 7 | 107384 | PAN HD PHIL 10/32 X 5/8 ROHS | |
| 2-7 | 114879 | ADJ UPH 11-12W STRAP KIT | |
| 2-7 | 114880 | ADJ UPH 13-14W STRAP KIT | |
| 2-7 | 114881 | ADJ UPH 15-16W STRAP KIT | |
| 2-7 | 114882 | ADJ UPH 17-18W STRAP KIT | |
| 2-7 | 114883 | ADJ UPH 19-20W STRAP KIT | |
| 1A,2-7 | 113322-001 | VNT ADJ UP 12W X-SHT ASM | |
| 1B,2-7 | 113322-002 | VNT ADJ UP 12W SHT ASM | |
| 1C,2-7 | 113322-003 | VNT ADJ UP 12W MED ASM | |
| 1D,2-7 | 113322-004 | VNT ADJ UP 12W TAL ASM | |
| 1E,2-7 | 113322-005 | VNT ADJ UP 12W X-TAL ASM | |
| 1A,2-7 | 113322-006 | VNT ADJ UP 13W X-SHT ASM | |
| 1B,2-7 | 113322-007 | VNT ADJ UP 13-W SHT ASM | |
| 1C,2-7 | 113322-008 | VNT ADJ UP 13W MED ASM | |
| 1D,2-7 | 113322-009 | VNT ADJ UP 13W TAL ASM | |
| 1E,2-7 | 113322-010 | VNT ADJ UP 13W X-TAL ASM | |
| 1A,2-7 | 113322-011 | VNT ADJ UP 14W X-SHT ASM | |
| 1B,2-7 | 113322-012 | VNT ADJ UP 14W SHT ASM | |
| 1C,2-7 | 113322-013 | VNT ADJ UP 14W MED ASM | |
| 1D,2-7 | 113322-014 | VNT ADJ UP 14W TAL ASM | |
| 1E,2-7 | 113322-015 | VNT ADJ UP 14W X-TAL ASM | |
| 1A,2-7 | 113322-016 | VNT ADJ UP 15W X-SHT ASM | |
| 1B,2-7 | 113322-017 | VNT ADJ UP 15W SHT ASM | |
| 1C,2-7 | 113322-018 | VNT ADJ UP 15W MED ASM | |
| 1D,2-7 | 113322-019 | VNT ADJ UP 15W TAL ASM | |
| 1E,2-7 | 113322-020 | VNT ADJ UP 15W X-TAL ASM | |
| 1A,2-7 | 113322-021 | VNT ADJ UP 16W X-SHT ASM | |
| 1B,2-7 | 113322-022 | VNT ADJ UP 16W SHT ASM | |
| 1C,2-7 | 113322-023 | VNT ADJ UP 16W MED ASM | |
| 1D,2-7 | 113322-024 | VNT ADJ UP 16W TAL ASM | |
| 1E,2-7 | 113322-025 | VNT ADJ UP 16W X-TAL ASM | |
| 1A,2-7 | 113322-026 | VNT ADJ UP 17W X-SHT ASM | |
| 1B,2-7 | 113322-027 | VNT ADJ UP 17W SHT ASM | |
| 1C,2-7 | 113322-028 | VNT ADJ UP 17W MED ASM | |
| 1D,2-7 | 113322-029 | VNT ADJ UP 17W TAL ASM | |
| 1E,2-7 | 113322-030 | VNT ADJ UP 17W X-TAL ASM | |
| 1A,2-7 | 113322-031 | VNT ADJ UP 18W X-SHT ASM | |
| 1B,2-7 | 113322-032 | VNT ADJ UP 18W SHT ASM | |
| 1C,2-7 | 113322-033 | VNT ADJ UP 18W MED ASM | |
| 1D,2-7 | 113322-034 | VNT ADJ UP 18W TAL ASM | |
| 1E,2-7 | 113322-035 | VNT ADJ UP 18W X-TAL ASM | |
| 1A,2-7 | 113322-036 | VNT ADJ UP 19W X-SHT ASM | |
| 1B,2-7 | 113322-037 | VNT ADJ UP 19W SHT ASM | |
| 1C,2-7 | 113322-038 | VNT ADJ UP 19W MED ASM | |
| 1D,2-7 | 113322-039 | VNT ADJ UP 19W TAL ASM | |
| 1E,2-7 | 113322-040 | VNT ADJ UP 19W X-TAL ASM | |
| 1A,2-7 | 113322-041 | VNT ADJ UP 20W X-SHT ASM | |

| Pos. | Item Number | Description | Remarks |
|-------------|--------------------|--------------------------|----------------|
| 1B,2-7 | 113322-042 | VNT ADJ UP 20W SHT ASM | |
| 1C,2-7 | 113322-043 | VNT ADJ UP 20W MED ASM | |
| 1D,2-7 | 113322-044 | VNT ADJ UP 20W TAL ASM | |
| 1E,2-7 | 113322-045 | VNT ADJ UP 20W X-TAL ASM | |

| | BACK HEIGHT "A" |
|---------------|--------------------|
| SHORT/ LOW | 11-14" |
| MED | 12-16" |
| TALL | 14-18" |

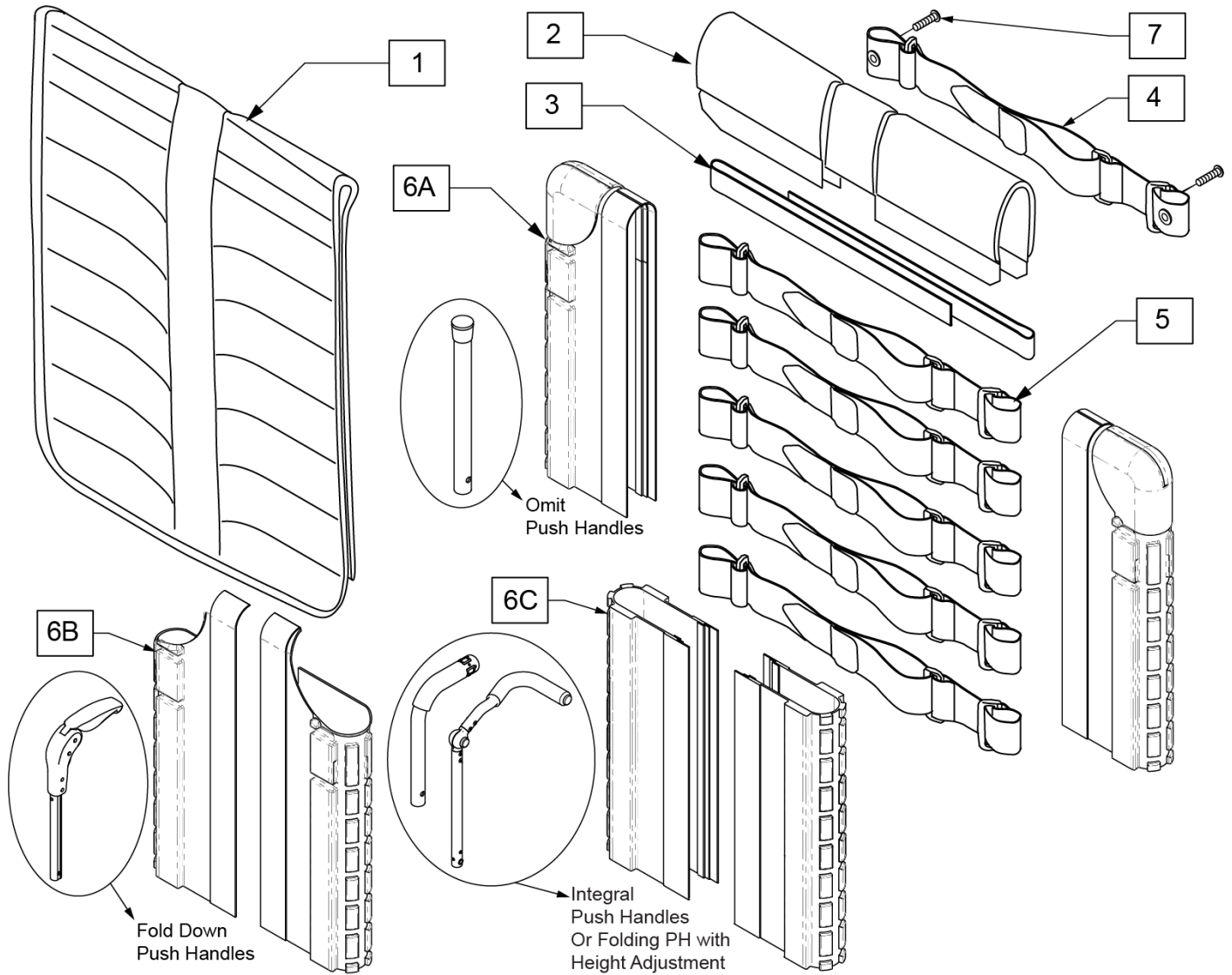


| Pos. | Item Number | Description | Pos. | Item Number | Description |
|------|-------------|----------------------------------------|------|-------------|-------------------------------------|
| 1A | 684010 | BACK UPHOLSTERY 11-12 Q2 LOW | 1A | 684060 | BACK UPHOLSTERY 17 Q2 LOW |
| 1B | 684012 | BACK UPHOLSTERY 11-12 Q2 MED Rx 14 | 1B | 684062 | BACK UPHOLSTERY 17 Q2 MED Rx 14 |
| 1C | 684014 | BACK UPHOLSTERY 11-12 Q2 TALL Rx 17/19 | 1C | 684064 | BACK UPHOLSTERY 17 Q2 TALL Rx 17/19 |
| 1A | 684020 | BACK UPHOLSTERY 13 Q2 LOW | 1A | 684070 | BACK UPHOLSTERY 18 Q2 LOW |
| 1B | 684022 | BACK UPHOLSTERY 13 Q2 MED Rx 14 | 1B | 684072 | BACK UPHOLSTERY 18 Q2 MED Rx 14 |
| 1C | 684024 | BACK UPHOLSTERY 13 Q2 TALL Rx 17/19 | 1C | 684074 | BACK UPHOLSTERY 18 Q2 TALL Rx 17/19 |
| 1A | 684030 | BACK UPHOLSTERY 14 Q2 LOW | 1A | 684080 | BACK UPHOLSTERY 19 Q2 LOW |
| 1B | 684032 | BACK UPHOLSTERY 14 Q2 MED Rx 14 | 1B | 684082 | BACK UPHOLSTERY 19 Q2 MED Rx 14 |
| 1C | 684034 | BACK UPHOLSTERY 14 Q2 TALL Rx 17/19 | 1C | 684084 | BACK UPHOLSTERY 19 Q2 TALL Rx 17/19 |
| 1A | 684040 | BACK UPHOLSTERY 15 Q2 LOW | 1A | 684090 | BACK UPHOLSTERY 20 Q2 LOW |
| 1B | 684042 | BACK UPHOLSTERY 15 Q2 MED Rx 14 | 1B | 684092 | BACK UPHOLSTERY 20 Q2 MED Rx 14 |
| 1C | 684044 | BACK UPHOLSTERY 15 Q2 TALL Rx 17/19 | 1C | 684094 | BACK UPHOLSTERY 20 Q2 TALL Rx 17/19 |
| 1A | 684050 | BACK UPHOLSTERY 16 Q2 LOW | 2 | 560410 | ZIP TIE BLK |
| 1B | 684052 | BACK UPHOLSTERY 16 Q2 MED Rx 14 | 3 | 560227 | 2 HOLE TOGGLE BENT PLST |
| 1C | 684054 | BACK UPHOLSTERY 16 Q2 TALL Rx 17/19 | | | |

Note: Each back height/type uses a different variation of back straps; replacement strap kits contain more straps than needed to support all back types/heights.

Note: Item 6A/6B/6C is required when ordering a complete back upholstery; order 2 each of the universal item 6A or 6C, or order left and right parts for item 6B; order based on Backrest Type, Back Post/Push Handle Style & Back Height Setting on the chair.

Note: for a Complete Backrest Upholstery, order item 1-5 and item 6A/6B/6C.



| Pos. | Item Number | Description | Remarks |
|------|-------------|------------------------|----------------|
| 2 | 244215 | BACKREST PAD SMALL 14" | Seat width 14" |
| 2 | 244216 | BACKREST PAD SMALL 15" | Seat width 15" |
| 2 | 131876 | BACKREST PAD SMALL 16" | Seat width 16" |
| 2 | 244217 | BACKREST PAD LARGE 17" | Seat width 17" |

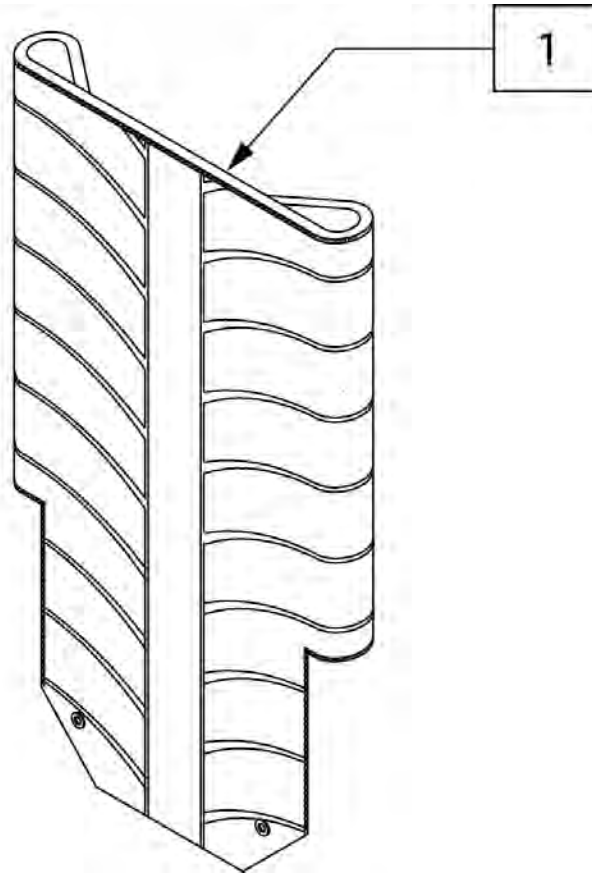
| Pos. | Item Number | Description | Remarks |
|------|-------------|---------------------------------|----------------------------------------------------------------------------------------|
| 2 | 244218 | BACKREST PAD LARGE 18" | Seat width 18" |
| 2 | 244219 | BACKREST PAD LARGE 19" | Seat width 19" |
| 2 | 131877 | BACKREST PAD LARGE 20" | Seat width 20" |
| 3 | 052435-002 | UPH,VNTD ADJ.,FPH STRP,14-15"W | Fold down push handle only |
| 3 | 052435-003 | UPH,VNTD ADJ.,FPH STRP,16-17"W | Fold down push handle only |
| 3 | 052435-004 | UPH,VNTD ADJ.,FPH STRP,18-20"W | Fold down push handle only |
| 4 | 132337 | BACK BELT ASSY W/ GROMMET 10-16 | Integral, Omit & Folding w/Height Adj push handles |
| 4 | 132338 | BACK BELT ASSY W/ GROMMET 17-18 | Integral, Omit & Folding w/Height Adj push handles |
| 4 | 132339 | BACK BELT ASSY W/ GROMMET 19-22 | Integral, Omit & Folding w/Height Adj push handles |
| 5 | 132297 | BACK BELT ASSY 10-16 | |
| 5 | 132298 | BACK BELT ASSY 17-18 | |
| 5 | 132299 | BACK BELT ASSY 19-20 | |
| 6A | 132188 | BACK TUBE COVER TOP E | omit push handle only; see ordering guide |
| 6A | 241599 | BACK TUBE COVER TOP MD FLDG | QXi ONLY; Med; Ht:13-17"; omit push handle only |
| 6A | 241600 | BACK TUBE COVER TOP TL | Tall; Ht:16-20"; omit push handle only |
| 6B | 241597 | SIDE PAD TOP TL FLDG RH | Q2 Lite only; Right; Tall: 16-20"; Fold down push handle only |
| 6B | 244200 | SIDE PAD TOP TL FLDG LH | Q2 Lite only; Left; Tall: 16-20"; Fold down push handle only |
| 6C | 132259 | SIDE PAD TOP ADJ XS | Ht:11"; for Integral PH OR Folding PH w/ Ht Adj; see ordering guide |
| 6C | 132260 | SIDE PAD TOP ADJ SM | Ht:12",13"; Adj.Ht:10-14"; for Integral PH OR Folding PH w/ Ht Adj; see ordering guide |
| 6C | 132261 | SIDE PAD TOP ADJ MD | Ht:14",15"; Adj.Ht:12-16"; for Integral PH OR Folding PH w/ Ht Adj; see ordering guide |
| 6C | 132262 | SIDE PAD TOP ADJ TL | Ht:16"; Adj.Ht:14-18"; for Integral PH OR Folding PH w/ Ht Adj; see ordering guide |
| 6C | 132263 | SIDE PAD TOP ADJ XT | Adj.Ht:16-20"; for Integral PH OR Folding PH w/ Ht Adj; see ordering guide |
| 6C | 241598 | SIDE PAD TOP ADJ F | for Integral PH OR Folding PH w/ Ht Adj; see ordering guide |
| 6C | 244616 | SIDE PAD TOP ADJ G | for Integral PH OR Folding PH w/ Ht Adj; see ordering guide |
| 6C | 244617 | SIDE PAD TOP ADJ H | for Integral PH OR Folding PH w/ Ht Adj; see ordering guide |
| 7 | 107384 | PAN HD PHIL 10/32 X 5/8 ROHS | |
| 1-5 | 161665 | BACK UPH TA EXO 12 WD XS | |
| 1-5 | 161666 | BACK UPH TA EXO 12 WD SM | |
| 1-5 | 161667 | BACK UPH TA EXO 12 WD MD | |
| 1-5 | 161668 | BACK UPH TA EXO 12 WD TL | |
| 1-5 | 161669 | BACK UPH TA EXO 12 WD XT | |
| 1-5 | 161670 | BACK UPH TA EXO 13 WD XS | |
| 1-5 | 161671 | BACK UPH TA EXO 13 WD SM | |
| 1-5 | 161672 | BACK UPH TA EXO 13 WD MD | |
| 1-5 | 161673 | BACK UPH TA EXO 13 WD TL | |
| 1-5 | 161674 | BACK UPH TA EXO 13 WD XT | |
| 1-5 | 161675 | BACK UPH TA EXO 14 WD XS | |
| 1-5 | 161676 | BACK UPH TA EXO 14 WD SM | |
| 1-5 | 161677 | BACK UPH TA EXO 14 WD MD | |
| 1-5 | 161441 | BACK UPH TA EXO 14 WD TL | |
| 1-5 | 161442 | BACK UPH TA EXO 14 WD XT | |
| 1-5 | 161678 | BACK UPH TA EXO 15 WD XS | |
| 1-5 | 161679 | BACK UPH TA EXO 15 WD SM | |
| 1-5 | 161680 | BACK UPH TA EXO 15 WD MD | |
| 1-5 | 161443 | BACK UPH TA EXO 15 WD TL | |
| 1-5 | 161444 | BACK UPH TA EXO 15 WD XT | |
| 1-5 | 161681 | BACK UPH TA EXO 16 WD XS | |
| 1-5 | 161682 | BACK UPH TA EXO 16 WD SM | |
| 1-5 | 161683 | BACK UPH TA EXO 16 WD MD | |
| 1-5 | 161445 | BACK UPH TA EXO 16 WD TL | |
| 1-5 | 161446 | BACK UPH TA EXO 16 WD XT | |

| Pos. | Item Number | Description | Remarks |
|------|-------------|-------------------------------|---------|
| 1-5 | 161684 | BACK UPH TA EXO 17 WD XS | |
| 1-5 | 161685 | BACK UPH TA EXO 17 WD SM | |
| 1-5 | 161686 | BACK UPH TA EXO 17 WD MD | |
| 1-5 | 161447 | BACK UPH TA EXO 17 WD TL | |
| 1-5 | 161448 | BACK UPH TA EXO 17 WD XT | |
| 1-5 | 161687 | BACK UPH TA EXO 18 WD XS | |
| 1-5 | 161688 | BACK UPH TA EXO 18 WD SM | |
| 1-5 | 161689 | BACK UPH TA EXO 18 WD MD | |
| 1-5 | 161449 | BACK UPH TA EXO 18 WD TL | |
| 1-5 | 161450 | BACK UPH TA EXO 18 WD XT | |
| 1-5 | 161690 | BACK UPH TA EXO 19 WD XS | |
| 1-5 | 161691 | BACK UPH TA EXO 19 WD SM | |
| 1-5 | 161692 | BACK UPH TA EXO 19 WD MD | |
| 1-5 | 161451 | BACK UPH TA EXO 19 WD TL | |
| 1-5 | 161452 | BACK UPH TA EXO 19 WD XT | |
| 1-5 | 161693 | BACK UPH TA EXO 20 WD XS | |
| 1-5 | 161694 | BACK UPH TA EXO 20 WD SM | |
| 1-5 | 161695 | BACK UPH TA EXO 20 WD MD | |
| 1-5 | 161453 | BACK UPH TA EXO 20 WD TL | |
| 1-5 | 161454 | BACK UPH TA EXO 20 WD XT | |
| 1-5 | 161706 | BACK UPH TA EXO 12 WD XS ORNG | |
| 1-5 | 161707 | BACK UPH TA EXO 12 WD SM ORNG | |
| 1-5 | 161708 | BACK UPH TA EXO 12 WD MD ORNG | |
| 1-5 | 161709 | BACK UPH TA EXO 12 WD TL ORNG | |
| 1-5 | 161710 | BACK UPH TA EXO 12 WD XT ORNG | |
| 1-5 | 161711 | BACK UPH TA EXO 13 WD XS ORNG | |
| 1-5 | 161712 | BACK UPH TA EXO 13 WD SM ORNG | |
| 1-5 | 161713 | BACK UPH TA EXO 13 WD MD ORNG | |
| 1-5 | 161714 | BACK UPH TA EXO 13 WD TL ORNG | |
| 1-5 | 161715 | BACK UPH TA EXO 13 WD XT ORNG | |
| 1-5 | 161716 | BACK UPH TA EXO 14 WD XS ORNG | |
| 1-5 | 161717 | BACK UPH TA EXO 14 WD SM ORNG | |
| 1-5 | 161718 | BACK UPH TA EXO 14 WD MD ORNG | |
| 1-5 | 161719 | BACK UPH TA EXO 14 WD TL ORNG | |
| 1-5 | 161720 | BACK UPH TA EXO 14 WD XT ORNG | |
| 1-5 | 161721 | BACK UPH TA EXO 15 WD XS ORNG | |
| 1-5 | 161722 | BACK UPH TA EXO 15 WD SM ORNG | |
| 1-5 | 161723 | BACK UPH TA EXO 15 WD MD ORNG | |
| 1-5 | 161724 | BACK UPH TA EXO 15 WD TL ORNG | |
| 1-5 | 161725 | BACK UPH TA EXO 15 WD XT ORNG | |
| 1-5 | 161726 | BACK UPH TA EXO 16 WD XS ORNG | |
| 1-5 | 161727 | BACK UPH TA EXO 16 WD SM ORNG | |
| 1-5 | 161728 | BACK UPH TA EXO 16 WD MD ORNG | |
| 1-5 | 161729 | BACK UPH TA EXO 16 WD TL ORNG | |
| 1-5 | 161730 | BACK UPH TA EXO 16 WD XT ORNG | |
| 1-5 | 161731 | BACK UPH TA EXO 17 WD XS ORNG | |
| 1-5 | 161732 | BACK UPH TA EXO 17 WD SM ORNG | |
| 1-5 | 161733 | BACK UPH TA EXO 17 WD MD ORNG | |
| 1-5 | 161734 | BACK UPH TA EXO 17 WD TL ORNG | |
| 1-5 | 161735 | BACK UPH TA EXO 17 WD XT ORNG | |
| 1-5 | 161736 | BACK UPH TA EXO 18 WD XS ORNG | |
| 1-5 | 161737 | BACK UPH TA EXO 18 WD SM ORNG | |
| 1-5 | 161738 | BACK UPH TA EXO 18 WD MD ORNG | |
| 1-5 | 161739 | BACK UPH TA EXO 18 WD TL ORNG | |
| 1-5 | 161740 | BACK UPH TA EXO 18 WD XT ORNG | |
| 1-5 | 161741 | BACK UPH TA EXO 19 WD XS ORNG | |
| 1-5 | 161742 | BACK UPH TA EXO 19 WD SM ORNG | |

| Pos. | Item Number | Description | Remarks |
|------|-------------|-------------------------------|---------|
| 1-5 | 161743 | BACK UPH TA EXO 19 WD MD ORNG | |
| 1-5 | 161744 | BACK UPH TA EXO 19 WD TL ORNG | |
| 1-5 | 161745 | BACK UPH TA EXO 19 WD XT ORNG | |
| 1-5 | 161746 | BACK UPH TA EXO 20 WD XS ORNG | |
| 1-5 | 161747 | BACK UPH TA EXO 20 WD SM ORNG | |
| 1-5 | 161748 | BACK UPH TA EXO 20 WD MD ORNG | |
| 1-5 | 161749 | BACK UPH TA EXO 20 WD TL ORNG | |
| 1-5 | 161750 | BACK UPH TA EXO 20 WD XT ORNG | |
| 1-5 | 161761 | BACK UPH TA EXO 12 WD XS SLVR | |
| 1-5 | 161762 | BACK UPH TA EXO 12 WD SM SLVR | |
| 1-5 | 161763 | BACK UPH TA EXO 12 WD MD SLVR | |
| 1-5 | 161764 | BACK UPH TA EXO 12 WD TL SLVR | |
| 1-5 | 161765 | BACK UPH TA EXO 12 WD XT SLVR | |
| 1-5 | 161766 | BACK UPH TA EXO 13 WD XS SLVR | |
| 1-5 | 161767 | BACK UPH TA EXO 13 WD SM SLVR | |
| 1-5 | 161768 | BACK UPH TA EXO 13 WD MD SLVR | |
| 1-5 | 161769 | BACK UPH TA EXO 13 WD TL SLVR | |
| 1-5 | 161770 | BACK UPH TA EXO 13 WD XT SLVR | |
| 1-5 | 161771 | BACK UPH TA EXO 14 WD XS SLVR | |
| 1-5 | 161772 | BACK UPH TA EXO 14 WD SM SLVR | |
| 1-5 | 161773 | BACK UPH TA EXO 14 WD MD SLVR | |
| 1-5 | 161774 | BACK UPH TA EXO 14 WD TL SLVR | |
| 1-5 | 161775 | BACK UPH TA EXO 14 WD XT SLVR | |
| 1-5 | 161776 | BACK UPH TA EXO 15 WD XS SLVR | |
| 1-5 | 161777 | BACK UPH TA EXO 15 WD SM SLVR | |
| 1-5 | 161778 | BACK UPH TA EXO 15 WD MD SLVR | |
| 1-5 | 161779 | BACK UPH TA EXO 15 WD TL SLVR | |
| 1-5 | 161780 | BACK UPH TA EXO 15 WD XT SLVR | |
| 1-5 | 161781 | BACK UPH TA EXO 16 WD XS SLVR | |
| 1-5 | 161782 | BACK UPH TA EXO 16 WD SM SLVR | |
| 1-5 | 161783 | BACK UPH TA EXO 16 WD MD SLVR | |
| 1-5 | 161784 | BACK UPH TA EXO 16 WD TL SLVR | |
| 1-5 | 161785 | BACK UPH TA EXO 16 WD XT SLVR | |
| 1-5 | 161786 | BACK UPH TA EXO 17 WD XS SLVR | |
| 1-5 | 161787 | BACK UPH TA EXO 17 WD SM SLVR | |
| 1-5 | 161788 | BACK UPH TA EXO 17 WD MD SLVR | |
| 1-5 | 161789 | BACK UPH TA EXO 17 WD TL SLVR | |
| 1-5 | 161790 | BACK UPH TA EXO 17 WD XT SLVR | |
| 1-5 | 161791 | BACK UPH TA EXO 18 WD XS SLVR | |
| 1-5 | 161792 | BACK UPH TA EXO 18 WD SM SLVR | |
| 1-5 | 161793 | BACK UPH TA EXO 18 WD MD SLVR | |
| 1-5 | 161794 | BACK UPH TA EXO 18 WD TL SLVR | |
| 1-5 | 161795 | BACK UPH TA EXO 18 WD XT SLVR | |
| 1-5 | 161796 | BACK UPH TA EXO 19 WD XS SLVR | |
| 1-5 | 161797 | BACK UPH TA EXO 19 WD SM SLVR | |
| 1-5 | 161798 | BACK UPH TA EXO 19 WD MD SLVR | |
| 1-5 | 161799 | BACK UPH TA EXO 19 WD TL SLVR | |
| 1-5 | 161800 | BACK UPH TA EXO 19 WD XT SLVR | |
| 1-5 | 161801 | BACK UPH TA EXO 20 WD XS SLVR | |
| 1-5 | 161802 | BACK UPH TA EXO 20 WD SM SLVR | |
| 1-5 | 161803 | BACK UPH TA EXO 20 WD MD SLVR | |
| 1-5 | 161859 | BACK UPH TA EXO 20 WD TL SLVR | |
| 1-5 | 161805 | BACK UPH TA EXO 20 WD XT SLVR | |
| 1-5 | 161816 | BACK UPH TA EXO 12 WD XS BLUE | |
| 1-5 | 161817 | BACK UPH TA EXO 12 WD SM BLUE | |
| 1-5 | 161818 | BACK UPH TA EXO 12 WD MD BLUE | |
| 1-5 | 161819 | BACK UPH TA EXO 12 WD TL BLUE | |

| Pos. | Item Number | Description | Remarks |
|------|-------------|-------------------------------|---------|
| 1-5 | 161820 | BACK UPH TA EXO 12 WD XT BLUE | |
| 1-5 | 161821 | BACK UPH TA EXO 13 WD XS BLUE | |
| 1-5 | 161822 | BACK UPH TA EXO 13 WD SM BLUE | |
| 1-5 | 161823 | BACK UPH TA EXO 13 WD MD BLUE | |
| 1-5 | 161824 | BACK UPH TA EXO 13 WD TL BLUE | |
| 1-5 | 161825 | BACK UPH TA EXO 13 WD XT BLUE | |
| 1-5 | 161826 | BACK UPH TA EXO 14 WD XS BLUE | |
| 1-5 | 161827 | BACK UPH TA EXO 14 WD SM BLUE | |
| 1-5 | 161828 | BACK UPH TA EXO 14 WD MD BLUE | |
| 1-5 | 161829 | BACK UPH TA EXO 14 WD TL BLUE | |
| 1-5 | 161830 | BACK UPH TA EXO 14 WD XT BLUE | |
| 1-5 | 161831 | BACK UPH TA EXO 15 WD XS BLUE | |
| 1-5 | 161832 | BACK UPH TA EXO 15 WD SM BLUE | |
| 1-5 | 161833 | BACK UPH TA EXO 15 WD MD BLUE | |
| 1-5 | 161834 | BACK UPH TA EXO 15 WD TL BLUE | |
| 1-5 | 161835 | BACK UPH TA EXO 15 WD XT BLUE | |
| 1-5 | 161836 | BACK UPH TA EXO 16 WD XS BLUE | |
| 1-5 | 161837 | BACK UPH TA EXO 16 WD SM BLUE | |
| 1-5 | 161838 | BACK UPH TA EXO 16 WD MD BLUE | |
| 1-5 | 161839 | BACK UPH TA EXO 16 WD TL BLUE | |
| 1-5 | 161840 | BACK UPH TA EXO 16 WD XT BLUE | |
| 1-5 | 161841 | BACK UPH TA EXO 17 WD XS BLUE | |
| 1-5 | 161842 | BACK UPH TA EXO 17 WD SM BLUE | |
| 1-5 | 161843 | BACK UPH TA EXO 17 WD MD BLUE | |
| 1-5 | 161844 | BACK UPH TA EXO 17 WD TL BLUE | |
| 1-5 | 161845 | BACK UPH TA EXO 17 WD XT BLUE | |
| 1-5 | 161846 | BACK UPH TA EXO 18 WD XS BLUE | |
| 1-5 | 161847 | BACK UPH TA EXO 18 WD SM BLUE | |
| 1-5 | 161848 | BACK UPH TA EXO 18 WD MD BLUE | |
| 1-5 | 161849 | BACK UPH TA EXO 18 WD TL BLUE | |
| 1-5 | 161850 | BACK UPH TA EXO 18 WD XT BLUE | |
| 1-5 | 161851 | BACK UPH TA EXO 19 WD XS BLUE | |
| 1-5 | 161852 | BACK UPH TA EXO 19 WD SM BLUE | |
| 1-5 | 161853 | BACK UPH TA EXO 19 WD MD BLUE | |
| 1-5 | 161854 | BACK UPH TA EXO 19 WD TL BLUE | |
| 1-5 | 161855 | BACK UPH TA EXO 19 WD XT BLUE | |
| 1-5 | 161856 | BACK UPH TA EXO 20 WD XS BLUE | |
| 1-5 | 161857 | BACK UPH TA EXO 20 WD SM BLUE | |
| 1-5 | 161858 | BACK UPH TA EXO 20 WD MD BLUE | |
| 1-5 | 161804 | BACK UPH TA EXO 20 WD TL BLUE | |
| 1-5 | 161860 | BACK UPH TA EXO 20 WD XT BLUE | |
| 1-5 | 161871 | BACK UPH TA EXO 12 WD XS RED | |
| 1-5 | 161872 | BACK UPH TA EXO 12 WD SM RED | |
| 1-5 | 161873 | BACK UPH TA EXO 12 WD MD RED | |
| 1-5 | 161874 | BACK UPH TA EXO 12 WD TL RED | |
| 1-5 | 161875 | BACK UPH TA EXO 12 WD XT RED | |
| 1-5 | 161876 | BACK UPH TA EXO 13 WD XS RED | |
| 1-5 | 161877 | BACK UPH TA EXO 13 WD SM RED | |
| 1-5 | 161878 | BACK UPH TA EXO 13 WD MD RED | |
| 1-5 | 161879 | BACK UPH TA EXO 13 WD TL RED | |
| 1-5 | 161880 | BACK UPH TA EXO 13 WD XT RED | |
| 1-5 | 161881 | BACK UPH TA EXO 14 WD XS RED | |
| 1-5 | 161882 | BACK UPH TA EXO 14 WD SM RED | |
| 1-5 | 161883 | BACK UPH TA EXO 14 WD MD RED | |
| 1-5 | 161884 | BACK UPH TA EXO 14 WD TL RED | |
| 1-5 | 161885 | BACK UPH TA EXO 14 WD XT RED | |
| 1-5 | 161886 | BACK UPH TA EXO 15 WD XS RED | |

| Pos. | Item Number | Description | Remarks |
|------|-------------|------------------------------|---------|
| 1-5 | 161887 | BACK UPH TA EXO 15 WD SM RED | |
| 1-5 | 161888 | BACK UPH TA EXO 15 WD MD RED | |
| 1-5 | 161889 | BACK UPH TA EXO 15 WD TL RED | |
| 1-5 | 161890 | BACK UPH TA EXO 15 WD XT RED | |
| 1-5 | 161891 | BACK UPH TA EXO 16 WD XS RED | |
| 1-5 | 161892 | BACK UPH TA EXO 16 WD SM RED | |
| 1-5 | 161893 | BACK UPH TA EXO 16 WD MD RED | |
| 1-5 | 161894 | BACK UPH TA EXO 16 WD TL RED | |
| 1-5 | 161895 | BACK UPH TA EXO 16 WD XT RED | |
| 1-5 | 161896 | BACK UPH TA EXO 17 WD XS RED | |
| 1-5 | 161897 | BACK UPH TA EXO 17 WD SM RED | |
| 1-5 | 161898 | BACK UPH TA EXO 17 WD MD RED | |
| 1-5 | 161899 | BACK UPH TA EXO 17 WD TL RED | |
| 1-5 | 161900 | BACK UPH TA EXO 17 WD XT RED | |
| 1-5 | 161901 | BACK UPH TA EXO 18 WD XS RED | |
| 1-5 | 161902 | BACK UPH TA EXO 18 WD SM RED | |
| 1-5 | 161903 | BACK UPH TA EXO 18 WD MD RED | |
| 1-5 | 161904 | BACK UPH TA EXO 18 WD TL RED | |
| 1-5 | 161905 | BACK UPH TA EXO 18 WD XT RED | |
| 1-5 | 161906 | BACK UPH TA EXO 19 WD XS RED | |
| 1-5 | 161907 | BACK UPH TA EXO 19 WD SM RED | |
| 1-5 | 161908 | BACK UPH TA EXO 19 WD MD RED | |
| 1-5 | 161909 | BACK UPH TA EXO 19 WD TL RED | |
| 1-5 | 161910 | BACK UPH TA EXO 19 WD XT RED | |
| 1-5 | 161911 | BACK UPH TA EXO 20 WD XS RED | |
| 1-5 | 161912 | BACK UPH TA EXO 20 WD SM RED | |
| 1-5 | 161913 | BACK UPH TA EXO 20 WD MD RED | |
| 1-5 | 161914 | BACK UPH TA EXO 20 WD TL RED | |
| 1-5 | 161915 | BACK UPH TA EXO 20 WD XT RED | |

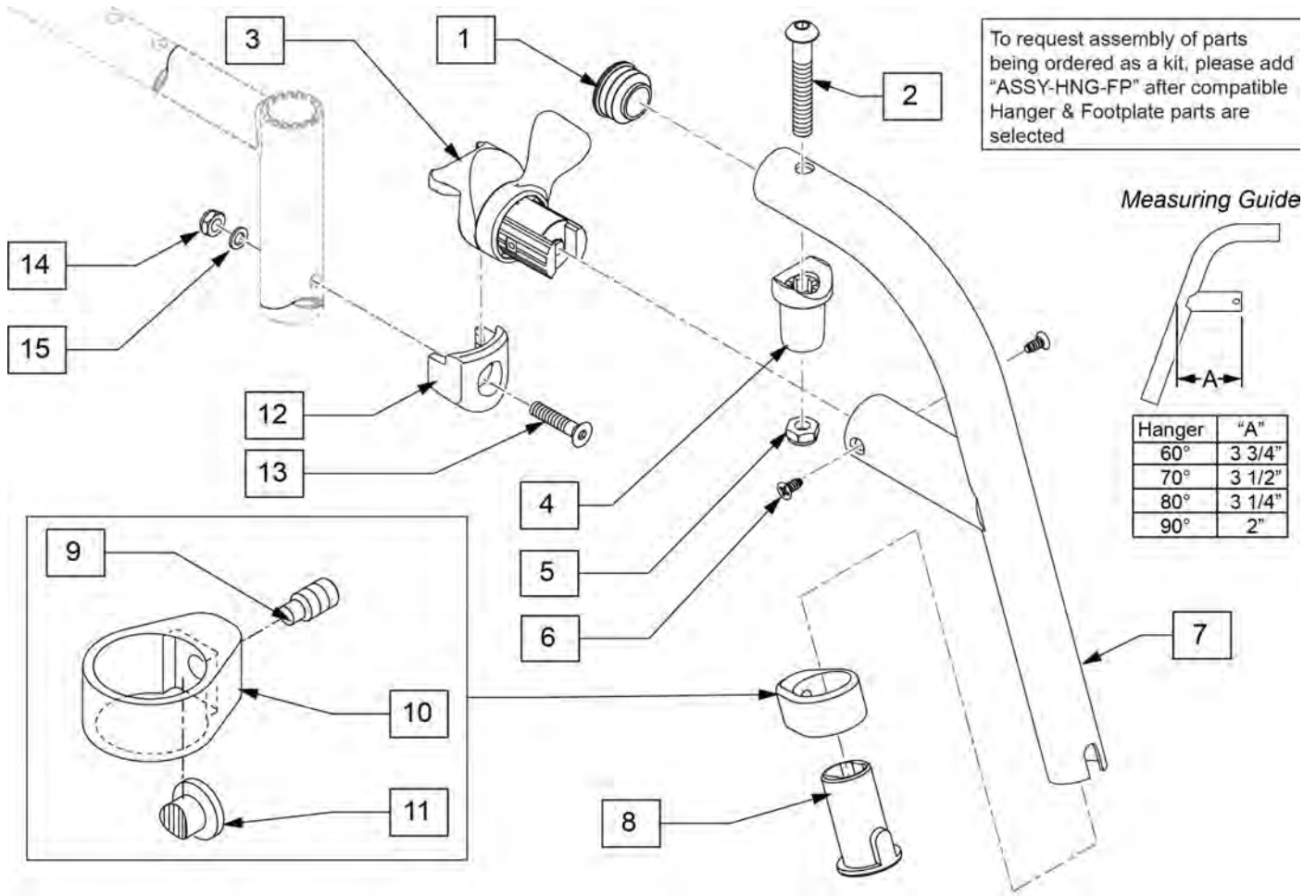


| Pos. | Item Number | Description | Remarks |
|------|-------------|--------------------------------|---------|
| 1 | 241275 | BACK UPH EXO FLDG 14WD MD | Black |
| 1 | 241276 | BACK UPH EXO FLDG 14WD TL | Black |
| 1 | 241277 | BACK UPH EXO FLDG 15WD MD | Black |
| 1 | 241278 | BACK UPH EXO FLDG 15WD TL | Black |
| 1 | 241279 | BACK UPH EXO FLDG 16WD MD | Black |
| 1 | 241280 | BACK UPH EXO FLDG 16WD TL | Black |
| 1 | 241281 | BACK UPH EXO FLDG 17WD MD | Black |
| 1 | 241282 | BACK UPH EXO FLDG 17WD TL | Black |
| 1 | 241283 | BACK UPH EXO FLDG 18WD MD | Black |
| 1 | 241284 | BACK UPH EXO FLDG 18WD TL | Black |
| 1 | 241285 | BACK UPH EXO FLDG 19WD MD | Black |
| 1 | 241286 | BACK UPH EXO FLDG 19WD TL | Black |
| 1 | 241287 | BACK UPH EXO FLDG 20WD MD | Black |
| 1 | 241288 | BACK UPH EXO FLDG 20WD TL | Black |
| 1 | 243650 | BK UPH EXO FDG 11-12 LW BLK725 | Black |
| 1 | 243651 | BK UPH EXO FDG 11-12 MD BLK725 | Black |
| 1 | 243652 | BK UPH EXO FDG 11-12 TL BLK725 | Black |
| 1 | 243653 | BK UPH EXO FDG 13W LW BLK725 | Black |
| 1 | 243654 | BK UPH EXO FDG 13W MD BLK725 | Black |
| 1 | 243655 | BK UPH EXO FDG 13W TL BLK725 | Black |
| 1 | 243656 | BK UPH EXO FDG 14W LW BLK725 | Black |
| 1 | 243657 | BK UPH EXO FDG 14W M-L BLK725 | Black |
| 1 | 243658 | BK UPH EXO FDG 15W LW BLK725 | Black |
| 1 | 243659 | BK UPH EXO FDG 16W LW BLK725 | Black |
| 1 | 243660 | BK UPH EXO FDG 16W M-L BLK725 | Black |

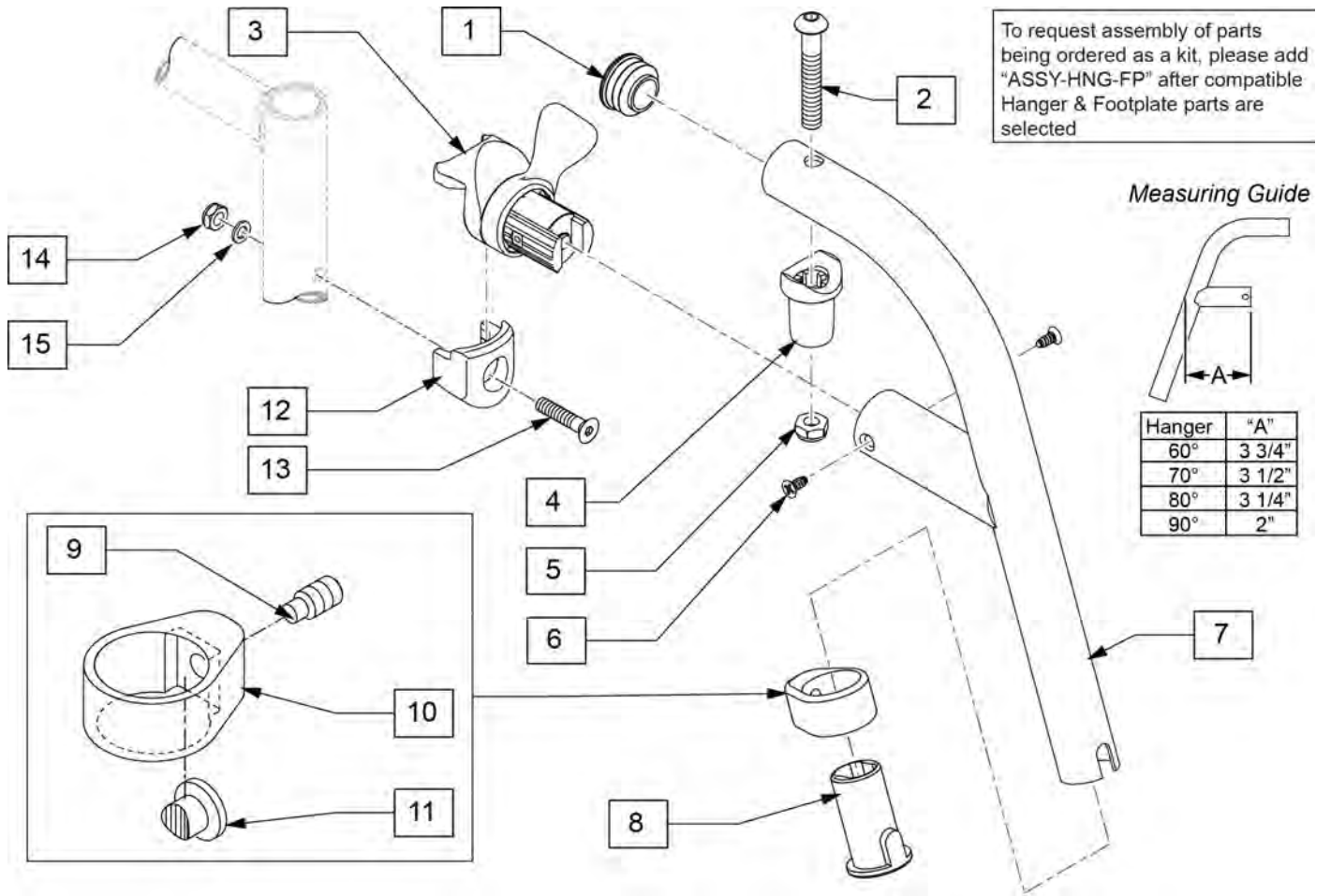
| Pos. | Item Number | Description | Remarks |
|------|-------------|------------------------------------|---------|
| 1 | 243661 | BK UPH EXO FDG 17W LW BLK725 | Black |
| 1 | 243662 | BK UPH EXO FDG 18W LW BLK725 | Black |
| 1 | 243663 | BK UPH EXO FDG 18W M-L BLK725 | Black |
| 1 | 243664 | BK UPH EXO FDG 19W LW BLK725 | Black |
| 1 | 243665 | BK UPH EXO FDG 20W LW BLK725 | Black |
| 1 | 243666 | BK UPH EXO FDG 20W M-L BLK725 | Black |
| 1 | 242667 | BACK UPH EXO FDG 14W MD ORANGE139 | |
| 1 | 242668 | BACK UPH EXO FDG 14W TL ORANGE139 | |
| 1 | 242669 | BACK UPH EXO FDG 15W MD ORANGE139 | |
| 1 | 242670 | BACK UPH EXO FDG 15W TL ORANGE139 | |
| 1 | 242671 | BACK UPH EXO FDG 16W MD ORANGE139 | |
| 1 | 242672 | BACK UPH EXO FDG 16W TL ORANGE139 | |
| 1 | 242673 | BACK UPH EXO FDG 17W MD ORANGE139 | |
| 1 | 242674 | BACK UPH EXO FDG 17W TL ORANGE139 | |
| 1 | 242675 | BACK UPH EXO FDG 18W MD ORANGE139 | |
| 1 | 242676 | BACK UPH EXO FDG 18W TL ORANGE139 | |
| 1 | 242677 | BACK UPH EXO FDG 19W MD ORANGE139 | |
| 1 | 242678 | BACK UPH EXO FDG 19W TL ORANGE139 | |
| 1 | 242679 | BACK UPH EXO FDG 20W MD ORANGE139 | |
| 1 | 242680 | BACK UPH EXO FDG 20W TL ORANGE139 | |
| 1 | 243671 | BK UPH EXO FDG 13W MD ORG139 | |
| 1 | 243672 | BK UPH EXO FDG 13W TL ORG139 | |
| 1 | 243673 | BK UPH EXO FDG 14W LW ORG139 | |
| 1 | 243674 | BK UPH EXO FDG 14W M-L ORG139 | |
| 1 | 243675 | BK UPH EXO FDG 15W LW ORG139 | |
| 1 | 243676 | BK UPH EXO FDG 16W LW ORG139 | |
| 1 | 243677 | BK UPH EXO FDG 16W M-L ORG139 | |
| 1 | 243678 | BK UPH EXO FDG 17W LW ORG139 | |
| 1 | 243679 | BK UPH EXO FDG 18W LW ORG139 | |
| 1 | 243680 | BK UPH EXO FDG 18W M-L ORG139 | |
| 1 | 243681 | BK UPH EXO FDG 19W LW ORG139 | |
| 1 | 243682 | BK UPH EXO FDG 20W LW ORG139 | |
| 1 | 243683 | BK UPH EXO FDG 20W M-L ORG139 | |
| 1 | 242737 | BACK UPH EXO FDG 14W MD SILVER 702 | |
| 1 | 242738 | BACK UPH EXO FDG 14W TL SILVER 702 | |
| 1 | 242739 | BACK UPH EXO FDG 15W MD SILVER 702 | |
| 1 | 242740 | BACK UPH EXO FDG 15W TL SILVER 702 | |
| 1 | 242741 | BACK UPH EXO FDG 16W MD SILVER 702 | |
| 1 | 242742 | BACK UPH EXO FDG 16W TL SILVER 702 | |
| 1 | 242743 | BACK UPH EXO FDG 17W MD SILVER 702 | |
| 1 | 242744 | BACK UPH EXO FDG 17W TL SILVER 702 | |
| 1 | 242745 | BACK UPH EXO FDG 18W MD SILVER 702 | |
| 1 | 242746 | BACK UPH EXO FDG 18W TL SILVER 702 | |
| 1 | 242747 | BACK UPH EXO FDG 19W MD SILVER 702 | |
| 1 | 242748 | BACK UPH EXO FDG 19W TL SILVER 702 | |
| 1 | 242749 | BACK UPH EXO FDG 20W MD SILVER 702 | |
| 1 | 242750 | BACK UPH EXO FDG 20W TL SILVER 702 | |
| 1 | 243684 | BK UPH EXO FDG 11-12 LW SLV702 | |
| 1 | 243685 | BK UPH EXO FDG 11-12 MD SLV702 | |
| 1 | 243686 | BK UPH EXO FDG 11-12 TL SLV702 | |
| 1 | 243687 | BK UPH EXO FDG 13W LW SLV702 | |
| 1 | 243688 | BK UPH EXO FDG 13W MD SLV702 | |
| 1 | 243689 | BK UPH EXO FDG 13W TL SLV702 | |
| 1 | 243690 | BK UPH EXO FDG 14W LW SLV702 | |
| 1 | 243691 | BK UPH EXO FDG 14W M-L SLV702 | |
| 1 | 243692 | BK UPH EXO FDG 15W LW SLV702 | |
| 1 | 243693 | BK UPH EXO FDG 16W LW SLV702 | |

| Pos. | Item Number | Description | Remarks |
|------|-------------|----------------------------------|---------|
| 1 | 243694 | BK UPH EXO FDG 16W M-L SLV702 | |
| 1 | 243695 | BK UPH EXO FDG 17W LW SLV702 | |
| 1 | 243696 | BK UPH EXO FDG 18W LW SLV702 | |
| 1 | 243697 | BK UPH EXO FDG 18W M-L SLV702 | |
| 1 | 243698 | BK UPH EXO FDG 19W LW SLV702 | |
| 1 | 243699 | BK UPH EXO FDG 20W LW SLV702 | |
| 1 | 243700 | BK UPH EXO FDG 20W M-L SLV702 | |
| 1 | 242806 | BACK UPH EXO FDG 14W MD BLUE 570 | |
| 1 | 242807 | BACK UPH EXO FDG 14W TL BLUE 570 | |
| 1 | 242808 | BACK UPH EXO FDG 15W MD BLUE 570 | |
| 1 | 242809 | BACK UPH EXO FDG 15W TL BLUE 570 | |
| 1 | 242810 | BACK UPH EXO FDG 16W MD BLUE 570 | |
| 1 | 242811 | BACK UPH EXO FDG 16W TL BLUE 570 | |
| 1 | 242812 | BACK UPH EXO FDG 17W MD BLUE 570 | |
| 1 | 242813 | BACK UPH EXO FDG 17W TL BLUE 570 | |
| 1 | 242814 | BACK UPH EXO FDG 18W MD BLUE 570 | |
| 1 | 242815 | BACK UPH EXO FDG 18W TL BLUE 570 | |
| 1 | 242816 | BACK UPH EXO FDG 19W MD BLUE 570 | |
| 1 | 242817 | BACK UPH EXO FDG 19W TL BLUE 570 | |
| 1 | 242818 | BACK UPH EXO FDG 20W MD BLUE 570 | |
| 1 | 242819 | BACK UPH EXO FDG 20W TL BLUE 570 | |
| 1 | 243701 | BK UPH EXO FDG 11-12 LW BLU570 | |
| 1 | 243702 | BK UPH EXO FDG 11-12 MD BLU570 | |
| 1 | 243703 | BK UPH EXO FDG 11-12 TL BLU570 | |
| 1 | 243704 | BK UPH EXO FDG 13W LW BLU570 | |
| 1 | 243705 | BK UPH EXO FDG 13W MD BLU570 | |
| 1 | 243706 | BK UPH EXO FDG 13W TL BLU570 | |
| 1 | 243707 | BK UPH EXO FDG 14W LW BLU570 | |
| 1 | 243708 | BK UPH EXO FDG 14W M-L BLU570 | |
| 1 | 243709 | BK UPH EXO FDG 15W LW BLU570 | |
| 1 | 243710 | BK UPH EXO FDG 16W LW BLU570 | |
| 1 | 243711 | BK UPH EXO FDG 16W M-L BLU570 | |
| 1 | 243712 | BK UPH EXO FDG 17W LW BLU570 | |
| 1 | 243713 | BK UPH EXO FDG 18W LW BLU570 | |
| 1 | 243714 | BK UPH EXO FDG 18W M-L BLU570 | |
| 1 | 243715 | BK UPH EXO FDG 19W LW BLU570 | |
| 1 | 243716 | BK UPH EXO FDG 20W LW BLU570 | |
| 1 | 243717 | BK UPH EXO FDG 20W M-L BLU570 | |
| 1 | 242929 | BACK UPH EXO FDG 14W MD RED 320 | |
| 1 | 242930 | BACK UPH EXO FDG 14W TL RED 320 | |
| 1 | 242931 | BACK UPH EXO FDG 15W MD RED 320 | |
| 1 | 242932 | BACK UPH EXO FDG 15W TL RED 320 | |
| 1 | 242933 | BACK UPH EXO FDG 16W MD RED 320 | |
| 1 | 242934 | BACK UPH EXO FDG 16W TL RED 320 | |
| 1 | 242935 | BACK UPH EXO FDG 17W MD RED 320 | |
| 1 | 242936 | BACK UPH EXO FDG 17W TL RED 320 | |
| 1 | 242937 | BACK UPH EXO FDG 18W MD RED 320 | |
| 1 | 242938 | BACK UPH EXO FDG 18W TL RED 320 | |
| 1 | 242939 | BACK UPH EXO FDG 19W MD RED 320 | |
| 1 | 242940 | BACK UPH EXO FDG 19W TL RED 320 | |
| 1 | 242941 | BACK UPH EXO FDG 20W MD RED 320 | |
| 1 | 242942 | BACK UPH EXO FDG 20W TL RED 320 | |
| 1 | 243718 | BK UPH EXO FDG 11-12 LW RED320 | |
| 1 | 243719 | BK UPH EXO FDG 11-12 MD RED320 | |
| 1 | 243720 | BK UPH EXO FDG 11-12 TL RED320 | |
| 1 | 243721 | BK UPH EXO FDG 13W LW RED320 | |
| 1 | 243722 | BK UPH EXO FDG 13W MD RED320 | |

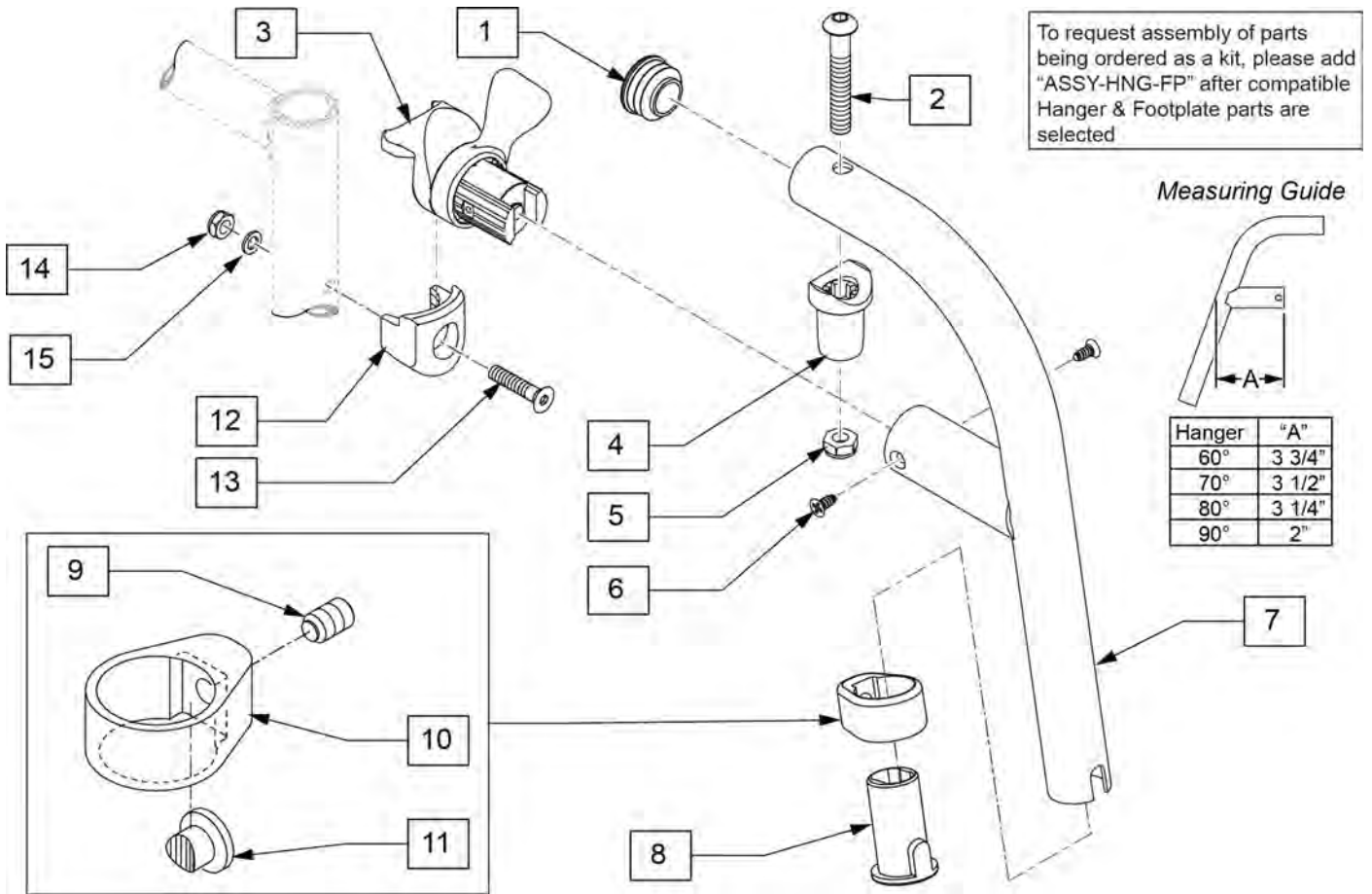
| Pos. | Item Number | Description | Remarks |
|------|-------------|-------------------------------|---------|
| 1 | 243723 | BK UPH EXO FDG 13W TL RED320 | |
| 1 | 243724 | BK UPH EXO FDG 14W LW RED320 | |
| 1 | 243725 | BK UPH EXO FDG 14W M-L RED320 | |
| 1 | 243726 | BK UPH EXO FDG 15W LW RED320 | |
| 1 | 243727 | BK UPH EXO FDG 16W LW RED320 | |
| 1 | 243728 | BK UPH EXO FDG 16W M-L RED320 | |
| 1 | 243729 | BK UPH EXO FDG 17W LW RED320 | |
| 1 | 243730 | BK UPH EXO FDG 18W LW RED320 | |
| 1 | 243731 | BK UPH EXO FDG 18W M-L RED320 | |
| 1 | 243732 | BK UPH EXO FDG 19W LW RED320 | |
| 1 | 243733 | BK UPH EXO FDG 20W LW RED320 | |
| 1 | 243734 | BK UPH EXO FDG 20W M-L RED320 | |



| Pos. | Item Number | Description | Remarks |
|---------|-------------|--------------------------------|---------------------------------|
| 1 | 561062 | 1" INSERT PLUG .065 RIBS | |
| 8 | 104160 | BUSHING FOOTREST | |
| 13 | 103500-010 | FHCSM6X1X35FULLNP | |
| 14 | 104381 | NUT HEX NYLOCK M6X1.0 | |
| 15 | 104414 | WAVE WASHER 6 MM | |
| 1,2,4,5 | 119518 | PIVOT SADDLE KIT | |
| 3,6 | 119509 | HANGER LATCH ASSM W/HDWR L | Left |
| 3,6 | 119510 | HANGER LATCH ASSM W/HDWR R | Right |
| 1-11 | 122699S | 60 D SWING I/O HNGR PNTD L | |
| 1-11 | 122700S | 60 D SWING I/O HNGR PNTD R | |
| 8-11 | 107485 | FOOTREST CLAMP ASSM | |
| 12-15 | 119514 | LATCH RECEIVER KIT | |
| | | Ship assembled part # | Use with multiple assemblies |
| | ASSY-HNG-FP | HANGER/FOOTPLATE ASSY REQUIRED | add with Hanger & Footplate kit |



| Pos. | Item Number | Description | Remarks |
|---------|-------------|--------------------------------|---------------------------------|
| 1 | 561062 | 1" INSERT PLUG .065 RIBS | |
| 8 | 104160 | BUSHING FOOTREST | |
| 13 | 103500-010 | FHCSM6X1X35FULLNP | |
| 14 | 104381 | NUT HEX NYLOCK M6X1.0 | |
| 15 | 104414 | WAVE WASHER 6 MM | |
| 1,2,4,5 | 119518 | PIVOT SADDLE KIT | |
| 3,6 | 119509 | HANGER LATCH ASSM W/HDWR L | Left |
| 3,6 | 119510 | HANGER LATCH ASSM W/HDWR R | Right |
| 1-11 | 119458S | 70 D SWING I/O HNGR PNTD L | Left |
| 1-11 | 119459S | 70 D SWING I/O HNGR PNTD R | Right |
| 8-11 | 107485 | FOOTREST CLAMP ASSM | |
| 12-15 | 119514 | LATCH RECEIVER KIT | |
| | | Ship assembled part # | Use with multiple assemblies |
| | ASSY-HNG-FP | HANGER/FOOTPLATE ASSY REQUIRED | add with Hanger & Footplate kit |



| Pos. | Item Number | Description | Remarks |
|---------|-------------|--------------------------------|---------------------------------|
| 1 | 561062 | 1" INSERT PLUG .065 RIBS | |
| 8 | 104160 | BUSHING FOOTREST | |
| 13 | 103500-010 | FHCSM6X1X35FULLNP | |
| 14 | 104381 | NUT HEX NYLOCK M6X1.0 | |
| 15 | 104414 | WAVE WASHER 6 MM | |
| 1,2,4,5 | 119518 | PIVOT SADDLE KIT | |
| 3,6 | 119509 | HANGER LATCH ASSM W/HDWR L | Left |
| 3,6 | 119510 | HANGER LATCH ASSM W/HDWR R | Right |
| 1-11 | 119466S | 80 D SWING I/O HNGR PNTD L | Left |
| 1-11 | 119467S | 80 D SWING I/O HNGR PNTD R | Right |
| 8-11 | 107485 | FOOTREST CLAMP ASSM | |
| 12-15 | 119514 | LATCH RECEIVER KIT | |
| | | Ship assembled part # | Use with multiple assemblies |
| | ASSY-HNG-FP | HANGER/FOOTPLATE ASSY REQUIRED | add with Hanger & Footplate kit |

Note: Footplate Assemblies are set to footrest width; please see "Footplate Formula" table for seat width conversion.

Note: V Style Hangers are not available on Swing Away Style chairs effective 7/14/14; see the "Prior To" ordering guide for V Style footplate assemblies.

Note: for QX Series or SR45 footplate replacement parts see the ordering guide marked specifically for these two models in the informations panel.

To have complete Footrest ship assembled, choose compatible Hanger + Footplate part numbers and add "ASSY-HNG-FP" to order

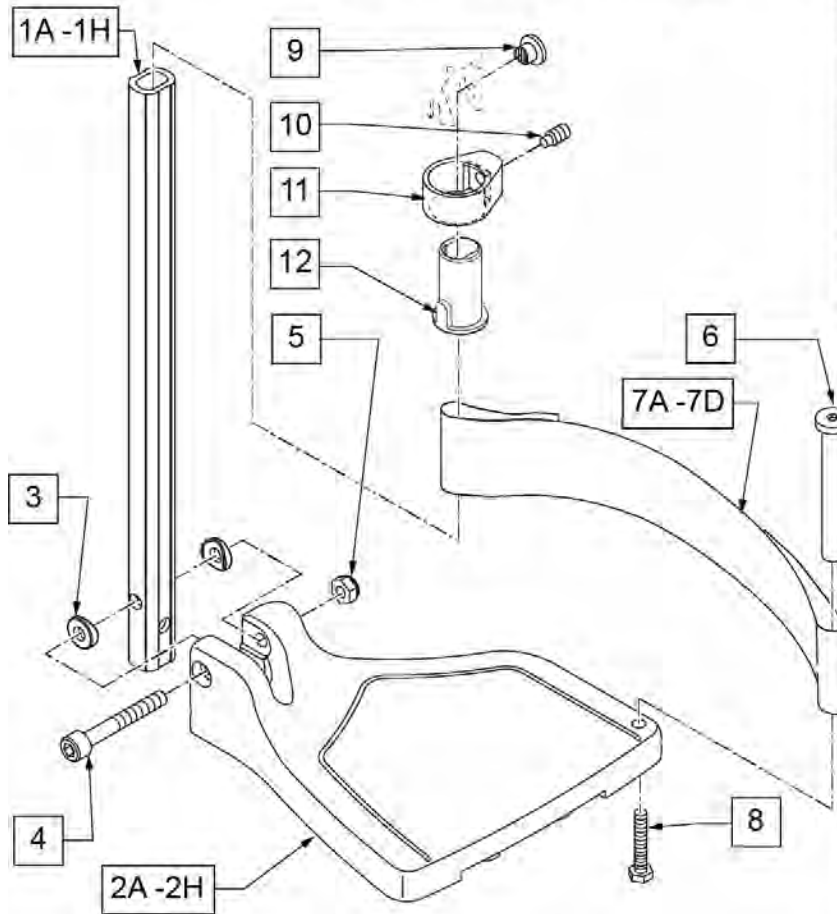
INSET FORMULA

0" Inset (Seat Width) = Footrest Width
 1" Inset (Seat Width) -2" = Footrest Width
 "V" Hanger (Seat Width) -4" = Footrest Width
 Offset Hanger Receiver (Seat Width) +2" = Footrest Width

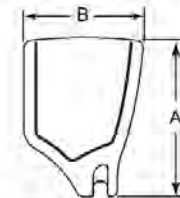
Composite Footplates w/ Ext & HL for Swing I/O Hangers

(Order 1 each)

| Ext. Tube | Footrest Width | 60°, 70° & 70° Hemi Style, ELR & ALR Hangers (Bent Extension) | | | | 80° Style Hanger (Straight Extension) | | |
|------------|----------------|---------------------------------------------------------------|--------|--------|--------|---------------------------------------|--------|--------|
| | | Hemi Short Hanger | Bent | Short | Medium | Long | Short | Medium |
| 13" Right | 129724 | 107748 | 107760 | 107774 | 107704 | 107718 | 107732 | |
| 13" Left | 129725 | 107753 | 107767 | 107781 | 107711 | 107725 | 107739 | |
| 14" Right | 129726 | 107747 | 107761 | 107775 | 107705 | 107719 | 107733 | |
| 14" Left | 129727 | 107754 | 107768 | 107782 | 107712 | 107726 | 107740 | |
| 15" Right | 129728 | 107748 | 107762 | 107776 | 107706 | 107720 | 107734 | |
| 15" Left | 129729 | 107756 | 107769 | 107783 | 107713 | 107727 | 107741 | |
| 16" Right | 129730 | 107749 | 107763 | 107777 | 107707 | 107721 | 107735 | |
| 16" Left | 129731 | 107758 | 107770 | 107784 | 107714 | 107728 | 107742 | |
| 17" Right | 129732 | 107750 | 107764 | 107778 | 107708 | 107722 | 107736 | |
| 17" Left | 129733 | 107757 | 107771 | 107785 | 107715 | 107729 | 107743 | |
| 18" Right | 129734 | 107751 | 107765 | 107779 | 107709 | 107723 | 107737 | |
| 18" Left | 129735 | 107758 | 107772 | 107786 | 107716 | 107730 | 107744 | |
| 19"-20" Rt | 129736 | 107752 | 107766 | 107780 | 107710 | 107724 | 107738 | |
| 19"-20" Lt | 129737 | 107759 | 107773 | 107787 | 107717 | 107731 | 107745 | |
| 21"-22" Rt | 129738 | 111528 | 111530 | 111532 | 111522 | 111524 | 111526 | |
| 21"-22" Lt | 129739 | 111529 | 111531 | 111533 | 111523 | 111525 | 111527 | |



FOOTPLATE MEASURING GUIDE



| PART NO | DESCRIPTION | "A" | "B" |
|------------|-------------------------------------|---------|--------|
| 063216-006 | FOOTPLATE COMPOSITE 167 R (13"W) | 6 1/8" | 6" |
| 063216-012 | FOOTPLATE COMPOSITE 167 L (13"W) | 6 1/8" | 6" |
| 063216-015 | FOOTPLATE COMPOSITE 170 R (14"W) | 6 5/8" | 6" |
| 063216-018 | FOOTPLATE COMPOSITE 170 L (14"W) | 6 5/8" | 6" |
| 063216-005 | FOOTPLATE COMPOSITE 182 R (15"W) | 7 1/8" | 6" |
| 063216-011 | FOOTPLATE COMPOSITE 182 L (15"W) | 7 1/8" | 6" |
| 063216-014 | FOOTPLATE COMPOSITE 195 R (16"W) | 7 5/8" | 6" |
| 063216-017 | FOOTPLATE COMPOSITE 195 L (16"W) | 7 5/8" | 6" |
| 063216-004 | FOOTPLATE COMPOSITE 207 R (17"W) | 8 1/8" | 6" |
| 063216-010 | FOOTPLATE COMPOSITE 207 L (17"W) | 8 1/8" | 6" |
| 063216-013 | FOOTPLATE COMPOSITE 220 R (18"W) | 8 5/8" | 6 1/4" |
| 063216-016 | FOOTPLATE COMPOSITE 220 L (18"W) | 8 5/8" | 6 1/4" |
| 063216-003 | FOOTPLATE COMPOSITE 232 R (19-20"W) | 9 1/8" | 6 1/4" |
| 063216-009 | FOOTPLATE COMPOSITE 232 L (19-20"W) | 9 1/8" | 6 1/4" |
| 063216-002 | FOOTPLATE COMPOSITE 257 R (21-22"W) | 10 1/8" | 6 1/4" |
| 063216-008 | FOOTPLATE COMPOSITE 257 L (21-22"W) | 10 1/8" | 6 1/4" |

| Pos. | Item Number | Description | Remarks |
|--------|-------------|------------------------|---------------------------|
| 1A,3-5 | 120660 | SHT STRT EXT COMP HDWR | 80 deg hangers + ELR only |
| 1B,3-5 | 120661 | MED STRT EXT COMP HDWR | 80 deg hangers + ELR only |
| 1C,3-5 | 120662 | LNG STRT EXT COMP HDWR | 80 deg hangers + ELR only |
| 1D,3-5 | 120663 | SHT BNT EXT COMP HDWR | 60,70,70 Hemi Hangers |
| 1E,3-5 | 120664 | MED BNT EXT COMP HDWR | 60,70,70 Hemi Hangers |
| 1F,3-5 | 120665 | LNG BNT EXT COMP HDWR | 60,70,70 Hemi Hangers |

| Pos. | Item Number | Description | Remarks |
|----------------|-------------|----------------------------------------------|----------------------------------|
| 1G,3-5 | 120666 | SHT V EXT R COMP HDWR | 70 deg V hangers only-LEFT |
| 1G,3-5 | 120667 | SHT V EXT L COMP HDWR | 70 deg V hangers only-RIGHT |
| 1H,3-5 | 120668 | LNG V EXT R COMP HDWR | 70 deg V hangers only-LEFT |
| 1H,3-5 | 120669 | LNG V EXT L COMP HDWR | 70 deg V hangers only-RIGHT |
| 2A | 063216-006 | FOOTPLATE COMPOSITE 157 R | RIGHT 13" Footrest Width |
| 2A | 063216-012 | FOOTPLATE COMPOSITE 157 L | LEFT 13" Footrest Width |
| 2B | 063216-015 | FOOTPLATE COMPOSITE 170 R | RIGHT 14" Footrest Width |
| 2B | 063216-018 | FOOTPLATE COMPOSITE 170 L | LEFT 14" Footrest Width |
| 2C | 063216-005 | COMPOSITE FOOTPLATE 182 R | RIGHT 15" Footrest Width |
| 2C | 063216-011 | COMPOSITE FOOTPLATE 182 L | LEFT 15" Footrest Width |
| 2D | 063216-014 | FOOTPLATE COMPOSITE 195 R | RIGHT 16" Footrest Width |
| 2D | 063216-017 | FOOTPLATE COMPOSITE 195 L | LEFT 16" Footrest Width |
| 2E | 063216-004 | COMPOSITE FOOTPLATE 207 R | RIGHT 17" Footrest Width |
| 2E | 063216-010 | COMPOSITE FOOTPLATE 207 L | LEFT 17" Footrest Width |
| 2F | 063216-013 | FOOTPLATE COMPOSITE 220 R | RIGHT 18" Footrest Width |
| 2F | 063216-016 | FOOTPLATE COMPOSITE 220 L | LEFT 18" Footrest Width |
| 2G | 063216-003 | COMPOSITE FOOTPLATE 232 R | RIGHT 19" & 20" Footrest Width |
| 2G | 063216-009 | COMPOSITE FOOTPLATE 232 L | LEFT 19" & 20" Footrest Width |
| 2H | 063216-002 | FOOTPLATE COMPOSITE 257 R | RIGHT 21" & 22" Footrest Width |
| 2H | 063216-008 | FOOTPLATE COMPOSITE 257 L | LEFT 21" & 22" Footrest Width |
| 3 | 104377 | 3/4" SADDLE THIN | |
| 4 | 103175 | SHCS M6 X 1 X 40 INORG | |
| 5 | 132626 | NUT AUTOMATION M6 X 1.0 | Inserted in bottom of footplate. |
| 6 | 104328 | HEEL LOOP PEG | |
| 7A | 104380-001 | ADJUSTABLE FOOT REST STRAP | 14" wide |
| 7B | 104380-002 | ADJUSTABLE FOOT REST STRAP | 15-16" wide |
| 7C | 104380-003 | ADJUSTABLE FOOT REST STRAP | 17-18" wide |
| 7D | 104380-004 | ADJUSTABLE FOOT REST STRAP | 19-22" wide |
| 8 | 102268-001 | HHCS M6 X 1 X 25 | |
| 12 | 104160 | BUSHING FOOTREST | |
| 9-12 | 107485 | FOOTREST CLAMP ASSM | |
| | | Ship assembled part # | Use with multiple assemblies |
| | ASSY-HNG-FP | HANGER/FOOTPLATE ASSY REQUIRED | add with Hanger & Footplate kit |
| >>>> | | 60°,70°,70° HEMI HANGERS - SHORT EXT - RIGHT | |
| 1D,2A,3-6,7A,8 | 107746 | COMP BNT SHT EXT ASM 13" W R | Right- 70D- 13" W- SHORT |
| 1D,2B,3-6,7A,8 | 107747 | COMP BNT SHT EXT ASM 14" W R | Right- 70D- 14" W- SHORT |
| 1D,2C,3-6,7B,8 | 107748 | COMP BNT SHT EXT ASM 15" W R | Right- 70D- 15" W- SHORT |
| 1D,2D,3-6,7B,8 | 107749 | COMP BNT SHT EXT ASM 16" W R | Right- 70D- 16" W- SHORT |
| 1D,2E,3-6,7C,8 | 107750 | COMP BNT SHT EXT ASM 17" W R | Right- 70D- 17" W- SHORT |
| 1D,2F,3-6,7C,8 | 107751 | COMP BNT SHT EXT ASM 18" W R | Right- 70D- 18" W- SHORT |
| 1D,2G,3-6,7D,8 | 107752 | COMP BNT SHT EXT ASM 19 & 20"W R | Right- 70D- 19 & 20" W- SHORT |
| 1D,2H,3-6,7D,8 | 111528 | COMP BNT SHT EXT ASM 21 & 22"W R | Right- 70D- 21 & 22" W- SHORT |
| >>>> | | 60°,70°,70° HEMI HANGERS - SHORT EXT - LEFT | |
| 1D,2A,3-6,7A,8 | 107753 | COMP BNT SHT EXT ASM 13" W L | Left- 70D- 13 W- SHORT |
| 1D,2B,3-6,7A,8 | 107754 | COMP BNT SHT EXT ASM 14" W L | Left- 70D- 14 W- SHORT |
| 1D,2C,3-6,7B,8 | 107755 | COMP BNT SHT EXT ASM 15" W L | Left- 70D- 15 W- SHORT |
| 1D,2D,3-6,7B,8 | 107756 | COMP BNT SHT EXT ASM 16" W L | Left- 70D- 16 W- SHORT |
| 1D,2E,3-6,7C,8 | 107757 | COMP BNT SHT EXT ASM 17" W L | Left- 70D- 17 W- SHORT |
| 1D,2F,3-6,7C,8 | 107758 | COMP BNT SHT EXT ASM 18" W L | Left- 70D- 18 W- SHORT |
| 1D,2G,3-6,7D,8 | 107759 | COMP BNT SHT EXT ASM 19 & 20"W L | Left- 70D- 19 & 20" W- SHORT |
| 1D,2H,3-6,7D,8 | 111529 | COMP BNT SHT EXT ASM 21 & 22"W L | Left- 70D- 21 & 22" W- SHORT |
| >>>> | | 60°,70°,70° HEMI HANGERS - MED EXT - RIGHT | |
| 1E,2A,3-6,7A,8 | 107760 | COMP BNT MED EXT ASM 13" W R | Right- 70D- 13" W- MED |
| 1E,2B,3-6,7A,8 | 107761 | COMP BNT MED EXT ASM 14" W R | Right- 70D- 14" W- MED |
| 1E,2C,3-6,7B,8 | 107762 | COMP BNT MED EXT ASM 15" W R | Right- 70D- 15" W- MED |
| 1E,2D,3-6,7B,8 | 107763 | COMP BNT MED EXT ASM 16" W R | Right- 70D- 16" W- MED |
| 1E,2E,3-6,7C,8 | 107764 | COMP BNT MED EXT ASM 17" W R | Right- 70D- 17" W- MED |

| Pos. | Item Number | Description | Remarks |
|----------------|-------------|---------------------------------------------|--------------------------------------|
| 1E,2F,3-6,7C,8 | 107765 | COMP BNT MED EXT ASM 18" W R | Right- 70D- 18" W- MED |
| 1E,2G,3-6,7D,8 | 107766 | COMP BNT MED EXT ASM 19 & 20"W R | Right- 70D- 19 & 20" W- MED |
| 1E,2H,3-6,7D,8 | 111530 | COMP BNT MED EXT ASM 21 & 22"W R | Right- 70D- 21 & 22" W- MED |
| >>>> | | 60°,70°,70° HEMI HANGERS - MED EXT - LEFT | |
| 1E,2A,3-6,7A,8 | 107767 | COMP BNT MED EXT ASM 13" W L | Left- 70D- 13 W- MED |
| 1E,2B,3-6,7A,8 | 107768 | COMP BNT MED EXT ASM 14" W L | Left- 70D- 14 W- MED |
| 1E,2C,3-6,7B,8 | 107769 | COMP BNT MED EXT ASM 15" W L | Left- 70D- 15 W- MED |
| 1E,2D,3-6,7B,8 | 107770 | COMP BNT MED EXT ASM 16" W L | Left- 70D- 16 W- MED |
| 1E,2E,3-6,7C,8 | 107771 | COMP BNT MED EXT ASM 17" W L | Left- 70D- 17 W- MED |
| 1E,2F,3-6,7C,8 | 107772 | COMP BNT MED EXT ASM 18" W L | Left- 70D- 18 W- MED |
| 1E,2G,3-6,7D,8 | 107773 | COMP BNT MED EXT ASM 19 & 20"W L | Left- 70D- 19 & 20" W- MED |
| 1E,2H,3-6,7D,8 | 111531 | COMP BNT MED EXT ASM 21 & 22"W L | Left- 70D- 21 & 22" W- MED |
| >>>> | | 60°,70°,70° HEMI HANGERS - LONG EXT - RIGHT | |
| 1F,2A,3-6,7A,8 | 107774 | COMP BNT LONG EXT ASM 13" W R | Right- 70D- 13" W- LONG |
| 1F,2B,3-6,7A,8 | 107775 | COMP BNT LONG EXT ASM 14" W R | Right- 70D- 14" W- LONG |
| 1F,2C,3-6,7B,8 | 107776 | COMP BNT LONG EXT ASM 15" W R | Right- 70D- 15" W- LONG |
| 1F,2D,3-6,7B,8 | 107777 | COMP BNT LONG EXT ASM 16" W R | Right- 70D- 16" W- LONG |
| 1F,2E,3-6,7C,8 | 107778 | COMP BNT LONG EXT ASM 17" W R | Right- 70D- 17" W- LONG |
| 1F,2F,3-6,7C,8 | 107779 | COMP BNT LONG EXT ASM 18" W R | Right- 70D- 18" W- LONG |
| 1F,2G,3-6,7D,8 | 107780 | COMP BNT LONG EXT ASM 19 & 20"W R | Right- 70D- 19 & 20" W- LONG |
| 1F,2H,3-6,7D,8 | 111532 | COMP BNT LONG EXT ASM 21 & 22"W R | Right- 70D- 21 & 22" W- LONG |
| >>>> | | 60°,70°,70° HEMI HANGERS - LONG EXT - LEFT | |
| 1F,2A,3-6,7A,8 | 107781 | COMP BNT LONG EXT ASM 13" W L | Left- 70D- 13 W- LONG |
| 1F,2B,3-6,7A,8 | 107782 | COMP BNT LONG EXT ASM 14" W L | Left- 70D- 14 W- LONG |
| 1F,2C,3-6,7B,8 | 107783 | COMP BNT LONG EXT ASM 15" W L | Left- 70D- 15 W- LONG |
| 1F,2D,3-6,7B,8 | 107784 | COMP BNT LONG EXT ASM 16" W L | Left- 70D- 16 W- LONG |
| 1F,2E,3-6,7C,8 | 107785 | COMP BNT LONG EXT ASM 17" W L | Left- 70D- 17 W- LONG |
| 1F,2F,3-6,7C,8 | 107786 | COMP BNT LONG EXT ASM 18" W L | Left- 70D- 18 W- LONG |
| 1F,2G,3-6,7D,8 | 107787 | COMP BNT LONG EXT ASM 19 & 20"W L | Left- 70D- 19 & 20" W- LONG |
| 1F,2H,3-6,7D,8 | 111533 | COMP BNT LONG EXT ASM 21 & 22"W L | Left- 70D- 21 & 22" W- LONG |
| >>>> | | 70 DEGREE "V" HANGERS - MED EXT - RIGHT | |
| 1G,2A,3-8 | 107788 | COMP V MED EXT ASM 13W R | Right- 70D V hangers only 13 W- MED |
| 1G,2B,3-8 | 107789 | COMP V MED EXT ASM 14W R | Right- 70D V hangers only 14 W- MED |
| 1G,2C,3-8 | 107790 | COMP V MED EXT ASM 15W R | Right- 70D V hangers only 15 W- MED |
| 1G,2D,3-8 | 107791 | COMP V MED EXT ASM 16W R | Right- 70D V hangers only 16 W- MED |
| 1G,2E,3-8 | 107792 | COMP V MED EXT ASM 17W R | Right- 70D V hangers only 17 W- MED |
| 1G,2F,3-8 | 107793 | COMP V MED EXT ASM 18W R | Right- 70D V hangers only 18 W- MED |
| >>>> | | 70 DEGREE "V" HANGERS - MED EXT - LEFT | |
| 1G,2A,3-8 | 107795 | COMP V MED EXT ASM 13W L | Left- 70D V hangers only 13 W- MED |
| 1G,2B,3-8 | 107796 | COMP V MED EXT ASM 14W L | Left- 70D V hangers only 14 W- MED |
| 1G,2C,3-8 | 107797 | COMP V MED EXT ASM 15W L | Left- 70D V hangers only 15 W- MED |
| 1G,2D,3-8 | 107798 | COMP V MED EXT ASM 16W L | Left- 70D V hangers only 16 W- MED |
| 1G,2E,3-8 | 107799 | COMP V MED EXT ASM 17W L | Left- 70D V hangers only 17 W- MED |
| 1G,2F,3-8 | 107800 | COMP V MED EXT ASM 18W L | Left- 70D V hangers only 18 W- MED |
| >>>> | | 70 DEGREE "V" HANGERS - LONG EXT - RIGHT | |
| 1H,2A,3-8 | 107802 | COMP V LNG EXT ASM 13W R | Right- 70D V hangers only 13 W- LONG |
| 1H,2B,3-8 | 107803 | COMP V LNG EXT ASM 14W R | Right- 70D V hangers only 14 W- LONG |
| 1H,2C,3-8 | 107804 | COMP V LNG EXT ASM 15W R | Right- 70D V hangers only 15 W- LONG |
| 1H,2D,3-8 | 107805 | COMP V LNG EXT ASM 16W R | Right- 70D V hangers only 16 W- LONG |
| 1H,2E,3-8 | 107806 | COMP V LNG EXT ASM 17W R | Right- 70D V hangers only 17 W- LONG |
| 1H,2F,3-8 | 107807 | COMP V LNG EXT ASM 18W R | Right- 70D V hangers only 18 W- LONG |
| >>>> | | 70 DEGREE "V" HANGERS - LONG EXT - LEFT | |
| 1H,2A,3-8 | 107809 | COMP V LNG EXT ASM 13W L | Left- 70D V hangers only 13 W- LONG |
| 1H,2B,3-8 | 107810 | COMP V LNG EXT ASM 14W L | Left- 70D V hangers only 14 W- LONG |
| 1H,2C,3-8 | 107811 | COMP V LNG EXT ASM 15W L | Left- 70D V hangers only 15 W- LONG |
| 1H,2D,3-8 | 107812 | COMP V LNG EXT ASM 16W L | Left- 70D V hangers only 16 W- LONG |
| 1H,2E,3-8 | 107813 | COMP V LNG EXT ASM 17W L | Left- 70D V hangers only 17 W- LONG |

| Pos. | Item Number | Description | Remarks |
|----------------|-------------|---------------------------------------|-------------------------------------|
| 1H,2F,3-8 | 107814 | COMP V LNG EXT ASM 18W L | Left- 70D V hangers only 18 W- LONG |
| >>>> | | 80 DEGREE HANGERS - SHORT EXT - RIGHT | |
| 1A,2A,3-6,7A,8 | 107704 | COMP STRT SHT EXT ASM 13"W R | Right- 80D- 13" W- SHORT |
| 1A,2B,3-6,7A,8 | 107705 | COMP STRT SHT EXT ASM 14"W R | Right- 80D- 14" W- SHORT |
| 1A,2C,3-6,7B,8 | 107706 | COMP STRT SHT EXT ASM 15"W R | Right- 80D- 15" W- SHORT |
| 1A,2D,3-6,7B,8 | 107707 | COMP STRT SHT EXT ASM 16"W R | Right- 80D- 16" W- SHORT |
| 1A,2E,3-6,7C,8 | 107708 | COMP STRT SHT EXT ASM 17"W R | Right- 80D- 17" W- SHORT |
| 1A,2F,3-6,7C,8 | 107709 | COMP STRT SHT EXT ASM 18"W R | Right- 80D- 18" W- SHORT |
| 1A,2G,3-6,7D,8 | 107710 | COMP STRT SHT EXT ASM 19 & 20"W R | Right- 80D- 19 & 20" W- SHORT |
| 1A,2H,3-6,7D,8 | 111522 | COMP STRT SHT EXT ASM 21 & 22"W R | Right- 80D- 21 & 22" W- SHORT |
| >>>> | | 80 DEGREE HANGERS - SHORT EXT - LEFT | |
| 1A,2A,3-6,7A,8 | 107711 | COMP STRT SHT EXT ASM 13"W L | LEFT- 80D- 13" W- SHORT |
| 1A,2B,3-6,7A,8 | 107712 | COMP STRT SHT EXT ASM 14"W L | LEFT- 80D- 14" W- SHORT |
| 1A,2C,3-6,7B,8 | 107713 | COMP STRT SHT EXT ASM 15"W L | LEFT- 80D- 15" W- SHORT |
| 1A,2D,3-6,7B,8 | 107714 | COMP STRT SHT EXT ASM 16"W L | LEFT- 80D- 16" W- SHORT |
| 1A,2E,3-6,7C,8 | 107715 | COMP STRT SHT EXT ASM 17"W L | LEFT- 80D- 17" W- SHORT |
| 1A,2F,3-6,7C,8 | 107716 | COMP STRT SHT EXT ASM 18"W L | LEFT- 80D- 18" W- SHORT |
| 1A,2G,3-6,7D,8 | 107717 | COMP STRT SHT EXT ASM 19 & 20"W L | LEFT- 80D- 19 & 20" W- SHORT |
| 1A,2H,3-6,7D,8 | 111523 | COMP STRT SHT EXT ASM 21 & 22"W L | LEFT- 80D- 21 & 22" W- SHORT |
| >>>> | | 80 DEGREE HANGERS - MED EXT - RIGHT | |
| 1B,2A,3-6,7A,8 | 107718 | COMP STRT MED EXT ASM 13"W R | Right- 80D- 13" W- MED |
| 1B,2B,3-6,7A,8 | 107719 | COMP STRT MED EXT ASM 14"W R | Right- 80D- 14" W- MED |
| 1B,2C,3-6,7B,8 | 107720 | COMP STRT MED EXT ASM 15"W R | Right- 80D- 15" W- MED |
| 1B,2D,3-6,7B,8 | 107721 | COMP STRT MED EXT ASM 16"W R | Right- 80D- 16" W- MED |
| 1B,2E,3-6,7C,8 | 107722 | COMP STRT MED EXT ASM 17"W R | Right- 80D- 17" W- MED |
| 1B,2F,3-6,7C,8 | 107723 | COMP STRT MED EXT ASM 18"W R | Right- 80D- 18" W- MED |
| 1B,2G,3-6,7D,8 | 107724 | COMP STRT MED EXT ASM 19 & 20"W R | Right- 80D- 19 & 20" W- MED |
| 1B,2H,3-6,7D,8 | 111524 | COMP STRT MED EXT ASM 21 & 22"W R | Right- 80D- 21 & 22" W- MED |
| >>>> | | 80 DEGREE HANGERS - MED EXT - LEFT | |
| 1B,2A,3-6,7A,8 | 107725 | COMP STRT MED EXT ASM 13"W L | LEFT- 80D- 13" W- MED |
| 1B,2B,3-6,7A,8 | 107726 | COMP STRT MED EXT ASM 14"W L | LEFT- 80D- 14" W- MED |
| 1B,2C,3-6,7B,8 | 107727 | COMP STRT MED EXT ASM 15"W L | LEFT- 80D- 15" W- MED |
| 1B,2D,3-6,7B,8 | 107728 | COMP STRT MED EXT ASM 16"W L | LEFT- 80D- 16" W- MED |
| 1B,2E,3-6,7C,8 | 107729 | COMP STRT MED EXT ASM 17"W L | LEFT- 80D- 17" W- MED |
| 1B,2F,3-6,7C,8 | 107730 | COMP STRT MED EXT ASM 18"W L | LEFT- 80D- 18" W- MED |
| 1B,2G,3-6,7D,8 | 107731 | COMP STRT MED EXT ASM 19 & 20"W L | LEFT- 80D- 19 & 20" W- MED |
| 1B,2H,3-6,7D,8 | 111525 | COMP STRT MED EXT ASM 21 & 22"W L | LEFT- 80D- 21 & 22" W- MED |
| >>>> | | 80 DEGREE HANGERS - LONG EXT - RIGHT | |
| 1C,2A,3-6,7A,8 | 107732 | COMP STRT LONG EXT ASM 13"W R | Right- 80D- 13" W- LONG |
| 1C,2B,3-6,7A,8 | 107733 | COMP STRT LONG EXT ASM 14"W R | Right- 80D- 14" W- LONG |
| 1C,2C,3-6,7B,8 | 107734 | COMP STRT LONG EXT ASM 15"W R | Right- 80D- 15" W- LONG |
| 1C,2D,3-6,7B,8 | 107735 | COMP STRT LONG EXT ASM 16"W R | Right- 80D- 16" W- LONG |
| 1C,2E,3-6,7C,8 | 107736 | COMP STRT LONG EXT ASM 17"W R | Right- 80D- 17" W- LONG |
| 1C,2F,3-6,7C,8 | 107737 | COMP STRT LONG EXT ASM 18"W R | Right- 80D- 18" W- LONG |
| 1C,2G,3-6,7D,8 | 107738 | COMP STRT LONG EXT ASM 19 & 20"W R | Right- 80D- 19 & 20" W- LONG |
| 1C,2H,3-6,7D,8 | 111526 | COMP STRT LONG EXT ASM 21 & 22"W R | Right- 80D- 21 & 22" W- LONG |
| >>>> | | 80 DEGREE HANGERS - LONG EXT - LEFT | |
| 1C,2A,3-6,7A,8 | 107739 | COMP STRT LONG EXT ASM 13"W L | LEFT- 80D- 13" W- LONG |
| 1C,2B,3-6,7A,8 | 107740 | COMP STRT LONG EXT ASM 14"W L | LEFT- 80D- 14" W- LONG |
| 1C,2C,3-6,7B,8 | 107741 | COMP STRT LONG EXT ASM 15"W L | LEFT- 80D- 15" W- LONG |
| 1C,2D,3-6,7B,8 | 107742 | COMP STRT LONG EXT ASM 16"W L | LEFT- 80D- 16" W- LONG |
| 1C,2E,3-6,7C,8 | 107743 | COMP STRT LONG EXT ASM 17"W L | LEFT- 80D- 17" W- LONG |
| 1C,2F,3-6,7C,8 | 107744 | COMP STRT LONG EXT ASM 18"W L | LEFT- 80D- 18" W- LONG |
| 1C,2G,3-6,7D,8 | 107745 | COMP STRT LONG EXT ASM 19 & 20"W L | LEFT- 80D- 19 & 20" W- LONG |
| 1C,2H,3-6,7D,8 | 111527 | COMP STRT LONG EXT ASM 21 & 22"W L | LEFT- 80D- 21 & 22" W- LONG |

Note: Footplate Assemblies are set to footrest width; please see "Footplate Formula" table for seat width conversion.

Note: If using Short Ext Tube & Hemi Hanger with Composite Angle Adjustable Footplate use 1D (straight) .

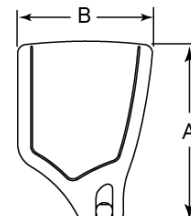
Note: V Style Hangers are not available on Swing Away Style chairs effective 7/14/14; see the "Prior To" ordering guide for V Style footplate assemblies.

To have complete Footrest ship assembled, choose compatible Hanger + Footplate part numbers and add "ASSY-HNG-FP" to order

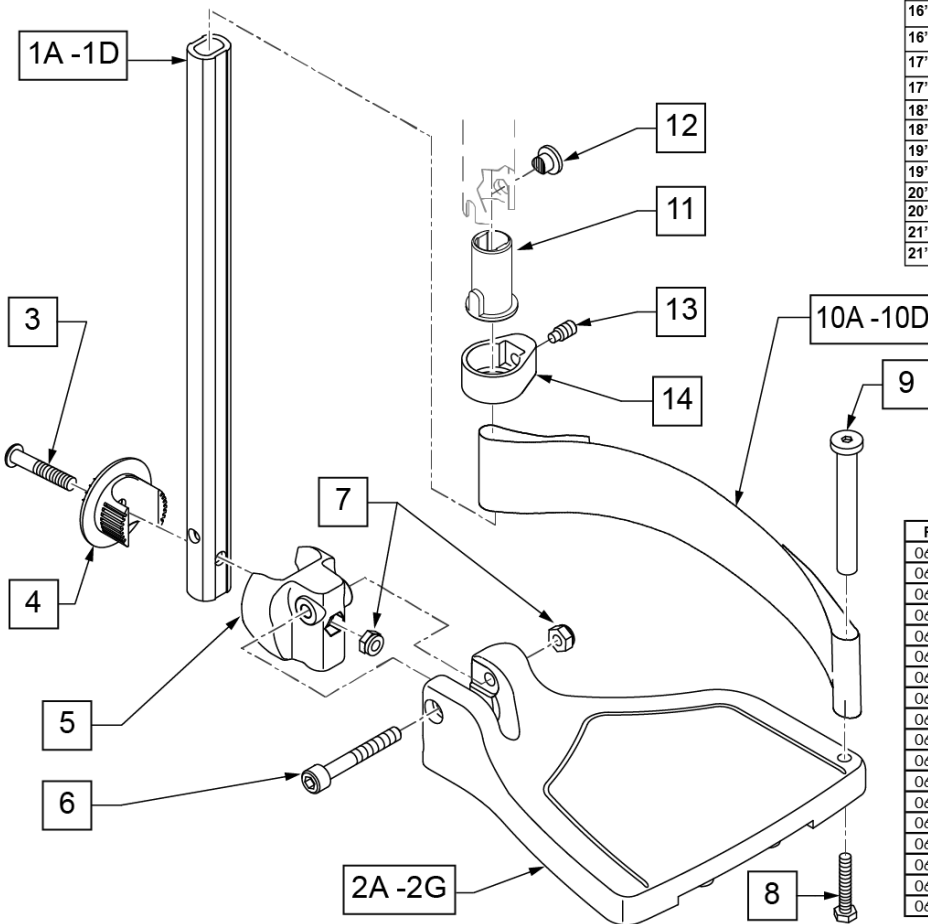
ADD INSET FORMULA
 0" Inset (Seat Width) = Footrest Width
 1" Inset (Seat Width) -2" = Footrest Width
 2" Inset (Seat Width) -4" = Footrest Width
 "V" Hanger (Seat Width) -4" = Footrest Width
 Offset Hanger Receiver (Seat Width) +2" = Footrest Width
 Flared Frame (Seat Width) = 2" = Footrest Width

| Composite Angle Adjustable "CAA" Footplate w/ Ext & HL for Swing I/O Hangers (Order 1 each) | | | | |
|---------------------------------------------------------------------------------------------------|---------------------|-----------------------------------------------|--------|--------|
| Ext Tube Footrest Width | Short Style Hangers | Standard Style Hanger (Straight Extension) | | |
| | | Short Hemi | Short | Medium |
| 15" Right | 129710 | 107816 | 107830 | 107844 |
| 15" Left | 129711 | 107823 | 107837 | 107851 |
| 16" Right | 129712 | 107817 | 107831 | 107845 |
| 16" Left | 129713 | 107824 | 107838 | 107852 |
| 17" Right | 129714 | 107818 | 107832 | 107846 |
| 17" Left | 129715 | 107825 | 107839 | 107853 |
| 18" Right | 129716 | 107819 | 107833 | 107847 |
| 18" Left | 129717 | 107826 | 107840 | 107854 |
| 19" Right | 129718 | 107820 | 107834 | 107848 |
| 19" Left | 129719 | 107827 | 107841 | 107855 |
| 20" Right | 129720 | 107821 | 107835 | 107849 |
| 20" Left | 129721 | 107828 | 107842 | 107856 |
| 21"-22" Rt | 129722 | 107822 | 107836 | 107850 |
| 21"-22" Lt | 129723 | 107829 | 107843 | 107857 |

FOOTPLATE MEASURING GUIDE



| PART NO | DESCRIPTION | DIM - A- | DIM - B- |
|------------|---------------------------|----------|----------|
| 063216-006 | FOOTPLATE COMPOSITE 157 R | 6 1/8" | 6" |
| 063216-012 | FOOTPLATE COMPOSITE 157 L | 6 1/8" | 6" |
| 063216-015 | FOOTPLATE COMPOSITE 170 R | 6 5/8" | 6" |
| 063216-018 | FOOTPLATE COMPOSITE 170 L | 6 5/8" | 6" |
| 063216-005 | FOOTPLATE COMPOSITE 182 R | 7 1/8" | 6" |
| 063216-011 | FOOTPLATE COMPOSITE 182 L | 7 1/8" | 6" |
| 063216-014 | FOOTPLATE COMPOSITE 195 R | 7 5/8" | 6" |
| 063216-017 | FOOTPLATE COMPOSITE 195 L | 7 5/8" | 6" |
| 063216-004 | FOOTPLATE COMPOSITE 207 R | 8 1/8" | 6" |
| 063216-010 | FOOTPLATE COMPOSITE 207 L | 8 1/8" | 6" |
| 063216-013 | FOOTPLATE COMPOSITE 220 R | 8 5/8" | 6 1/4" |
| 063216-016 | FOOTPLATE COMPOSITE 220 L | 8 5/8" | 6 1/4" |
| 063216-003 | FOOTPLATE COMPOSITE 232 R | 9 1/8" | 6 1/4" |
| 063216-009 | FOOTPLATE COMPOSITE 232 L | 9 1/8" | 6 1/4" |
| 063216-002 | FOOTPLATE COMPOSITE 257 R | 10 1/8" | 6 1/4" |
| 063216-008 | FOOTPLATE COMPOSITE 257 L | 10 1/8" | 6 1/4" |
| 063216-001 | FOOTPLATE COMPOSITE 282 R | 11 1/8" | 6 1/4" |
| 063216-007 | FOOTPLATE COMPOSITE 282 L | 11 1/8" | 6 1/4" |



| Pos. | Item Number | Description | Remarks |
|--------|-------------|--------------------------------|------------------------------|
| 1A,6,7 | 120660 | SHT STRT EXT COMP HDWR | |
| 1B,6,7 | 120661 | MED STRT EXT COMP HDWR | |
| 1C,6,7 | 120662 | LNG STRT EXT COMP HDWR | |
| 1D | 128079 | TUBE FTRST EXT STRGHT SHT HEMI | Use for Hemi Ext Tube option |

| Pos. | Item Number | Description | Remarks |
|-------------|-------------|--------------------------------------|----------------------------------|
| 2A | 063216-006 | COMPOSITE FOOTPLATE RIGHT | RIGHT 15" Footrest Width |
| 2A | 063216-012 | COMPOSITE FOOTPLATE LEFT | LEFT 15" Footrest Width |
| 2B | 063216-015 | COMPOSITE FOOTPLATE RIGHT | RIGHT 16" Footrest Width |
| 2B | 063216-018 | COMPOSITE FOOTPLATE LEFT | LEFT 16" Footrest Width |
| 2C | 063216-005 | COMPOSITE FOOTPLATE RIGHT | RIGHT 17" Footrest Width |
| 2C | 063216-011 | COMPOSITE FOOTPLATE LEFT | LEFT 17" Footrest Width |
| 2D | 063216-014 | COMPOSITE FOOTPLATE RIGHT | RIGHT 18" Footrest Width |
| 2D | 063216-017 | COMPOSITE FOOTPLATE LEFT | LEFT 18" Footrest Width |
| 2E | 063216-004 | COMPOSITE FOOTPLATE RIGHT | RIGHT 19" Footrest Width |
| 2E | 063216-010 | COMPOSITE FOOTPLATE LEFT | LEFT 19" Footrest Width |
| 2F | 063216-013 | COMPOSITE FOOTPLATE RIGHT | RIGHT 20" Footrest Width |
| 2F | 063216-016 | COMPOSITE FOOTPLATE LEFT | LEFT 20" Footrest Width |
| 2G | 063216-003 | COMPOSITE FOOTPLATE RIGHT | RIGHT 21" & 22" Footrest Width |
| 2G | 063216-009 | COMPOSITE FOOTPLATE LEFT | LEFT 21" & 22" Footrest Width |
| 3 | 108233 | BHCS M6 X 1 X 40 | |
| 4 | 054242 | ANGLE COVER | |
| 5 | 054241 | ANGLE SEGMENT | |
| 6 | 103175 | SHCS M6 X 1 X 40 INORG | |
| 7 | 132626 | NUT AUTOMATION M6 X 1.0 | |
| 8 | 102268-001 | HHCS M6X1X25 | Inserted in bottom of footplate. |
| 9 | 104328 | HEEL LOOP PEG | |
| 10A | 104380-001 | ADJUSTABLE FOOT REST STRAP | 15" Footrest Width |
| 10B | 104380-002 | ADJUSTABLE FOOT REST STRAP | 16" Footrest Width |
| 10C | 104380-003 | ADJUSTABLE FOOT REST STRAP | 17-18" Footrest Width |
| 10D | 104380-004 | ADJUSTABLE FOOT REST STRAP | 19-22" Footrest Width |
| 11 | 104160 | BUSHING FOOTREST | |
| 11-14 | 107485 | FOOTREST CLAMP ASSM | |
| >>>> | | 60,70,80 HANGERS - SHORT EXT - RIGHT | |
| 1A,2A,3-10A | 107816 | CAA STRT SHT EXT ASM 15W R | Right- 15 W- SHORT |
| 1A,2B,3-10B | 107817 | CAA STRT SHT EXT ASM 16W R | Right- 16 W- SHORT |
| 1A,2C,3-10B | 107818 | CAA STRT SHT EXT ASM 17W R | Right- 17 W- SHORT |
| 1A,2D,3-10C | 107819 | CAA STRT SHT EXT ASM 18W R | Right- 18 W- SHORT |
| 1A,2E,3-10C | 107820 | CAA STRT SHT EXT ASM 19W R | Right- 19 W- SHORT |
| 1A,2F,3-10D | 107821 | CAA STRT SHT EXT ASM 20W R | Right- 20 W- SHORT |
| 1A,2G,3-10D | 107822 | CAA STRT SHT EXT ASM 21&22W R | Right- 21&22 W- SHORT |
| >>>> | | 60,70,80 HANGERS - SHORT EXT - LEFT | |
| 1A,2A,3-10A | 107823 | CAA STRT SHT EXT ASM 15W L | Left- 15 W- SHORT |
| 1A,2B,3-10B | 107824 | CAA STRT SHT EXT ASM 16W L | Left- 16 W- SHORT |
| 1A,2C,3-10B | 107825 | CAA STRT SHT EXT ASM 17W L | Left- 17 W- SHORT |
| 1A,2D,3-10C | 107826 | CAA STRT SHT EXT ASM 18W L | Left- 18 W- SHORT |
| 1A,2E,3-10C | 107827 | CAA STRT SHT EXT ASM 19W L | Left- 19 W- SHORT |
| 1A,2F,3-10D | 107828 | CAA STRT SHT EXT ASM 20W L | Left- 20 W- SHORT |
| 1A,2G,3-10D | 107829 | CAA STRT SHT EXT ASM 21&22W L | Left- 21&22 W- SHORT |
| >>>> | | 60,70,80& 60,70 HEMI HANGER- RIGHT | |
| 1B,2A,3-10A | 107830 | CAA STRT MED EXT ASM 15W R | Right- 15 W- MED |
| 1B,2B,3-10B | 107831 | CAA STRT MED EXT ASM 16W R | Right- 16 W- MED |
| 1B,2C,3-10B | 107832 | CAA STRT MED EXT ASM 17W R | Right- 17 W- MED |
| 1B,2D,3-10C | 107833 | CAA STRT MED EXT ASM 18W R | Right- 18 W- MED |
| 1B,2E,3-10C | 107834 | CAA STRT MED EXT ASM 19W R | Right- 19 W- MED |
| 1B,2F,3-10D | 107835 | CAA STRT MED EXT ASM 20W R | Right- 20 W- MED |
| 1B,2G,3-10D | 107836 | CAA STRT MED EXT ASM 21&22W R | Right- 21&22 W- MED |
| >>>> | | 60,70,80& 60,70 HEMI HANGER- LEFT | |
| 1B,2A,3-10A | 107837 | CAA STRT MED EXT ASM 15W L | Left- 15 W- MED |
| 1B,2B,3-10B | 107838 | CAA STRT MED EXT ASM 16W L | Left- 16 W- MED |
| 1B,2C,3-10B | 107839 | CAA STRT MED EXT ASM 17W L | Left- 17 W- MED |
| 1B,2D,3-10C | 107840 | CAA STRT MED EXT ASM 18W L | Left- 18 W- MED |
| 1B,2E,3-10C | 107841 | CAA STRT MED EXT ASM 19W L | Left- 19 W- MED |

| Pos. | Item Number | Description | Remarks |
|-------------|-------------|--------------------------------------|--------------------------------------------|
| 1B,2F,3-10D | 107842 | CAA STRT MED EXT ASM 20W L | Left- 20 W- MED |
| 1B,2G,3-10D | 107843 | CAA STRT MED EXT ASM 21&22W L | Left- 21&22 W- MED |
| >>>> | | 60,70,80& 60,70 HEMI HANGER- RIGHT | |
| 1C,2A,3-10A | 107844 | CAA STRT LNG EXT ASM 15W R | Right- 15 W- LONG |
| 1C,2B,3-10B | 107845 | CAA STRT LNG EXT ASM 16W R | Right- 16 W- LONG |
| 1C,2C,3-10B | 107846 | CAA STRT LNG EXT ASM 17W R | Right- 17 W- LONG |
| 1C,2D,3-10C | 107847 | CAA STRT LNG EXT ASM 18W R | Right- 18 W- LONG |
| 1C,2E,3-10C | 107848 | CAA STRT LNG EXT ASM 19W R | Right- 19 W- LONG |
| 1C,2F,3-10D | 107849 | CAA STRT LNG EXT ASM 20W R | Right- 20 W- LONG |
| 1C,2G,3-10D | 107850 | CAA STRT LNG EXT ASM 21&22W R | Right- 21&22 W- LONG |
| >>>> | | 60,70,80& 60,70 HEMI HANGER- LEFT | |
| 1C,2A,3-10A | 107851 | CAA STRT LNG EXT ASM 15W L | Left- 15 W- LONG |
| 1C,2B,3-10B | 107852 | CAA STRT LNG EXT ASM 16W L | Left- 16 W- LONG |
| 1C,2C,3-10B | 107853 | CAA STRT LNG EXT ASM 17W L | Left- 17 W- LONG |
| 1C,2D,3-10C | 107854 | CAA STRT LNG EXT ASM 18W L | Left- 18 W- LONG |
| 1C,2E,3-10C | 107855 | CAA STRT LNG EXT ASM 19W L | Left- 19 W- LONG |
| 1C,2F,3-10D | 107856 | CAA STRT LNG EXT ASM 20W L | Left- 20 W- LONG |
| 1C,2G,3-10D | 107857 | CAA STRT LNG EXT ASM 21&22W L | Left- 21&22 W- LONG |
| >>>> | | 60&70 HEMI HANGERS- SHORT EXT- RIGHT | |
| 1D,2A,3-10A | 129710 | CAA FOOT KIT SHT HNGR 15W R | Right-Hemi-15W; add Ext behind the Hemi |
| 1D,2B,3-10B | 129712 | CAA FOOT KIT SHT HNGR 16W R | Right-Hemi-16W; add Ext behind the Hemi |
| 1D,2C,3-10B | 129714 | CAA FOOT KIT SHT HNGR 17W R | Right-Hemi-17W; add Ext behind the Hemi |
| 1D,2D,3-10C | 129716 | CAA FOOT KIT SHT HNGR 18W R | Right-Hemi-18W; add Ext behind the Hemi |
| 1D,2E,3-10C | 129718 | CAA FOOT KIT SHT HNGR 19W R | Right-Hemi-19W; add Ext behind the Hemi |
| 1D,2F,3-10D | 129720 | CAA FOOT KIT SHT HNGR 20W R | Right-Hemi-20W; add Ext behind the Hemi |
| 1D,2G,3-10D | 129722 | CAA FOOT KIT SHT HNGR 22W R | Right-Hemi-21&22W; add Ext behind the Hemi |
| >>>> | | 60&70 HEMI HANGERS- SHORT EXT - LEFT | |
| 1D,2A,3-10A | 129711 | CAA FOOT KIT SHT HNGR 15W L | Left-Hemi-15W; add Ext behind the Hemi |
| 1D,2B,3-10B | 129713 | CAA FOOT KIT SHT HNGR 16W L | Left-Hemi-16W; add Ext behind the Hemi |
| 1D,2C,3-10B | 129715 | CAA FOOT KIT SHT HNGR 17W L | Left-Hemi-17W; add Ext behind the Hemi |
| 1D,2D,3-10C | 129717 | CAA FOOT KIT SHT HNGR 18W L | Left-Hemi-18W; add Ext behind the Hemi |
| 1D,2E,3-10C | 129719 | CAA FOOT KIT SHT HNGR 19W L | Left-Hemi-19W; add Ext behind the Hemi |
| 1D,2F,3-10D | 129721 | CAA FOOT KIT SHT HNGR 20W L | Left-Hemi-20W; add Ext behind the Hemi |
| 1D,2G,3-10D | 129723 | CAA FOOT KIT SHT HNGR 22W L | Left-Hemi-21&22W; add Ext behind the Hemi |
| | | Ship assembled part # | Use with multiple assemblies |
| | ASSY-HNG-FP | HANGER/FOOTPLATE ASSY REQUIRED | add with Hanger & Footplate kit |

Note: Footplate Assemblies are set to footrest width; please see "Footplate Formula" table for seat width conversion.

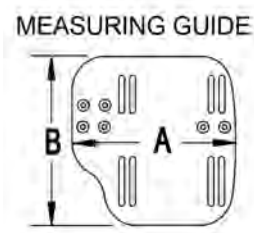
Note: V Style Hangers are not available on Swing Away Style chairs effective 7/14/14; see the "Prior To" ordering guide for V Style footplate assemblies.

Note: for QX Series or SR45 footplate replacement parts see the ordering guide marked specifically for these two models in the informations panel.

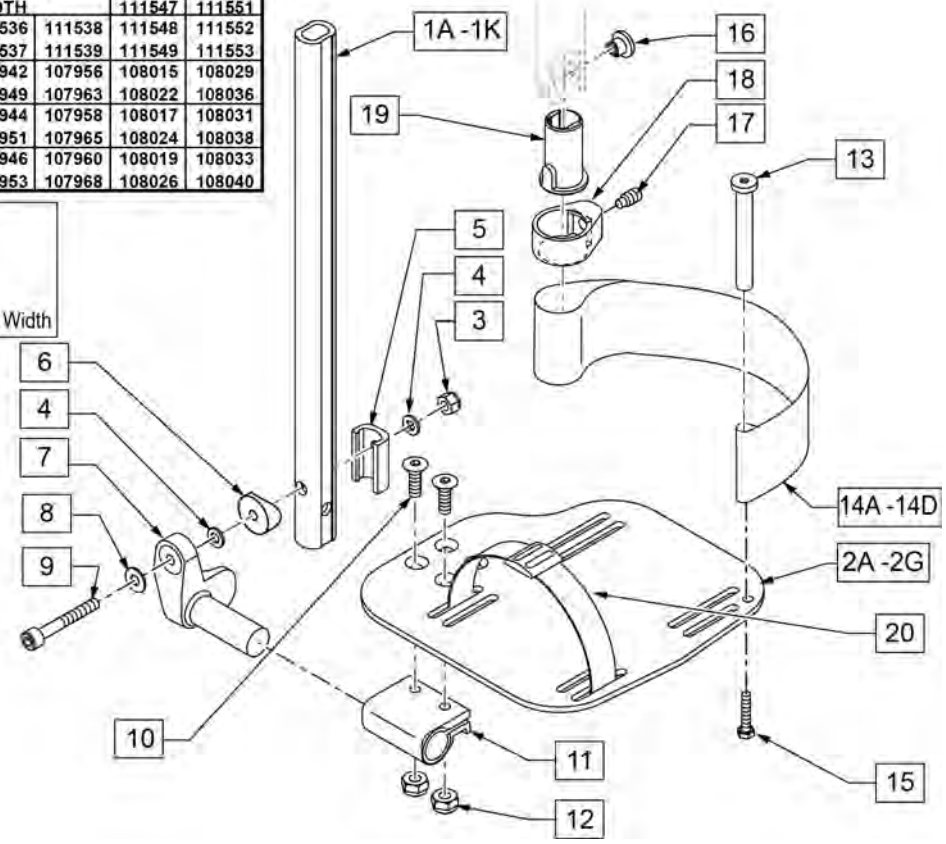
| Adult Angle Adjustable "AAA" Footplates w/ Ext & HL for Swing I/O Hangers | | | | | | | | | |
|---------------------------------------------------------------------------|----------------------------------------------------|--------|--------|---------------------------------------|--------|--------|---------------------|--------|--|
| (Order 1 each) | | | | | | | | | |
| Ext. Tube | 60°, 70° & 70° Hemi Style Hangers (Bent Extension) | | | 80° Style hanger (Straight Extension) | | | 70° V Style Hangers | | |
| | Short | Med | Long | Short | Med | Long | Med | Long | |
| 10"-11" Rt | NOT AVAILABLE IN THIS WIDTH | | | NOT AVAILABLE IN THIS WIDTH | | | 111546 | 111550 | |
| 10"-11" Lt | NOT AVAILABLE IN THIS WIDTH | | | NOT AVAILABLE IN THIS WIDTH | | | 111547 | 111551 | |
| 12-13" Rt | 111540 | 111542 | 111544 | 111534 | 111536 | 111538 | 111548 | 111552 | |
| 12-13" Lt | 111541 | 111543 | 111545 | 111535 | 111537 | 111539 | 111549 | 111553 | |
| 14"-15" Rt | 107973 | 107987 | 108001 | 107928 | 107942 | 107956 | 108015 | 108029 | |
| 14"-15" Lt | 107980 | 107994 | 108008 | 107935 | 107949 | 107963 | 108022 | 108036 | |
| 16"-17" Rt | 107975 | 107989 | 108003 | 107930 | 107944 | 107958 | 108017 | 108031 | |
| 16"-17" Lt | 107982 | 107996 | 108010 | 107937 | 107951 | 107965 | 108024 | 108038 | |
| 18"-22" Rt | 107977 | 107991 | 108005 | 107932 | 107946 | 107960 | 108019 | 108033 | |
| 18"-22" Lt | 107984 | 107998 | 108012 | 107939 | 107953 | 107968 | 108026 | 108040 | |

To have complete Footrest ship assembled, choose compatible Hanger + Footplate part numbers and add "ASSY-HNG-FP" to order

INSET FORMULA
 0" Inset (Seat Width) = Footrest Width
 1" Inset (Seat Width) - 2" = Footrest Width
 "V" Hanger (Seat Width) - 4" = Footrest Width
 Offset Hanger Receiver (Seat Width) + 2" = Footrest Width



| CHAIR WIDTH | "A" | "B" |
|-------------|--------|--------|
| 10" - 11" | 3 1/2" | 7 1/4" |
| 12" - 13" | 4 1/2" | 7 3/4" |
| 14" - 15" | 5 1/2" | 7 3/4" |
| 16" - 17" | 6 1/2" | 7 3/4" |
| 18" - 20" | 7 1/2" | 7 3/4" |

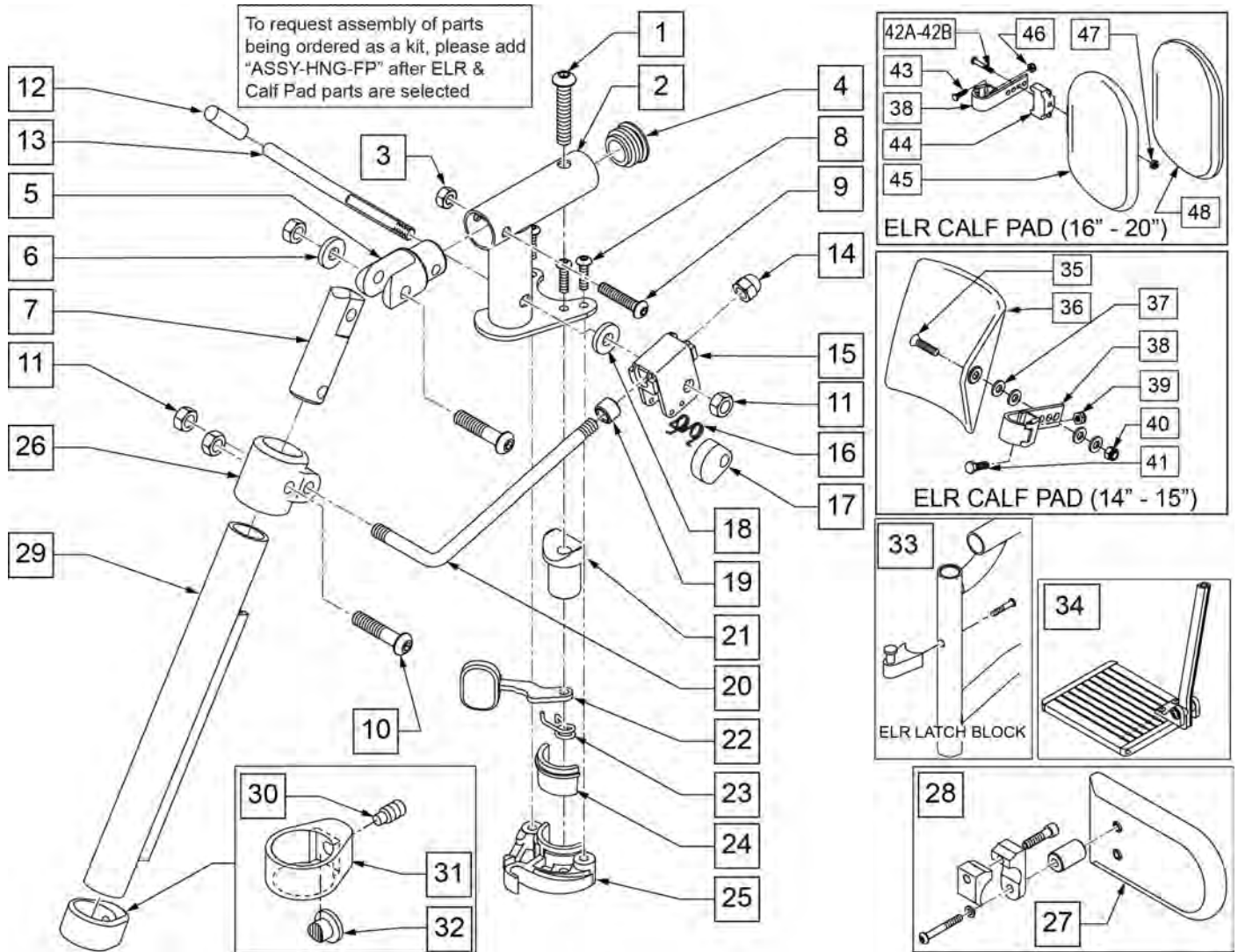


| Pos. | Item Number | Description | Remarks |
|------------|-------------|-----------------------|-----------------------|
| 1A,3-6,8,9 | 120670 | SHT STRT EXT AAA HDWR | 80 deg Hangers Only |
| 1B,3-6,8,9 | 120671 | MED STRT EXT AAA HDWR | 80 deg Hangers Only |
| 1C,3-6,8,9 | 120672 | LNG STRT EXT AAA HDWR | 80 deg Hangers Only |
| 1D,3-6,8,9 | 120673 | SHT BNT EXT AAA HDWR | 60,70,70 Hemi Hangers |
| 1E,3-6,8,9 | 120674 | MED BNT EXT AAA HDWR | 60,70,70 Hemi Hangers |
| 1F,3-6,8,9 | 120675 | LNG BNT EXT AAA HDWR | 60,70,70 Hemi Hangers |

| Pos. | Item Number | Description | Remarks |
|----------------|-------------|-------------------------------------|-------------------------------|
| 1G,3-6,8,9 | 120676 | SHT V EXT R AAA HDWR | Left - 70 deg V Hangers Only |
| 1H,3-6,8,9 | 120677 | SHT V EXT L AAA HDWR | Right - 70 deg V Hangers Only |
| 1I,3-6,8,9 | 120678 | LNG V EXT R AAA HDWR | Left - 70 deg V Hangers Only |
| 1J,3-6,8,9 | 120679 | LNG V EXT L AAA HDWR | Right - 70 deg V Hangers Only |
| 2A | 500656 | ADULT ANG ADJ F/PLT 10/11" R | RIGHT 10-11" Footrest Width |
| 2A | 500657 | ADULT ANG ADJ F/PLT 10/11" L | LEFT 10-11" Footrest Width |
| 2B | 500658 | ADULT ANG ADJ F/PLT 12/13" R | RIGHT 12-13" Footrest Width |
| 2B | 500659 | ADULT ANG ADJ F/PLT 12/13" L | LEFT 12-13" Footrest Width |
| 2C | 500660 | ADLT ANGL ADJ F/PLT 14/15 | RIGHT 14-15" Footrest Width |
| 2C | 500661 | ADLT ANGL ADJ F/PLT 14/15 | LEFT 14-15" Footrest Width |
| 2D | 500662 | ADLT ANGL ADJ F/PLT 16/17 | RIGHT 16-17" Footrest Width |
| 2D | 500663 | ADLT ANGL ADJ F/PLT 16/17 | LEFT 16-17" Footrest Width |
| 2E | 500664 | ADLT ANGL ADJ F/PLT 18-20 | RIGHT 18-22" Footrest Width |
| 2E | 500665 | ADLT ANGL ADJ F/PLT 18-20 | LEFT 18-22" Footrest Width |
| 3 | 132626 | NUT AUTOMATION M6 X 1.0 | |
| 4 | 106944 | WASHER FLAT THIN AN 1/4 ROHS | |
| 5 | 107199 | HANGER EXTENSION SADDLE | |
| 6 | 104377 | 3/4" SADDLE THIN | |
| 7 | 541002 | FTRST MOUNTING BRKT-3/8 RAD R | RIGHT |
| 7 | 541003 | FTRST MOUNTING BRKT-3/8 RAD L | LEFT |
| 8 | 106945 | WASHER FLAT SAE 1/4 ROHS | |
| 9 | 104399 | SHCS M6X1X45 12 MM PART THD | |
| 10 | 106978 | FHCS 1/4-28 X 7/8 ROHS | |
| 11 | 550350 | 3/4" CLMP ADJ FT PLT | |
| 12 | 106935 | NUT NYLOCK THIN 1/4-28 ROHS | |
| 13 | 104328 | POST HEEL LOOP | |
| 14A | 104380-001 | ADJUSTABLE FOOT REST STRAP | 12 - 14" WIDE |
| 14B | 104380-002 | ADJUSTABLE FOOT REST STRAP | 15 - 16" WIDE |
| 14C | 104380-003 | ADJUSTABLE FOOT REST STRAP | 17 - 18" WIDE |
| 14D | 104380-004 | ADJUSTABLE FOOT REST STRAP | 19 - 20" WIDE |
| 15 | 102268-001 | HHCS M6 X 1 X 25 | |
| 3-6,8,9 | 120659 | EXT MNT HARDWARE 1 SIDE | |
| 16-19 | 107485 | FOOTREST CLAMP ASSM | |
| 20 | 740260 | TOE-ANKLE STRAP ADJ ADULT FOOTPLATE | |
| >>>> | | 80° HANGERS - SHORT EXT - RIGHT | |
| 1A,2B,3-14A,15 | 111534 | AAA STRT SHT EXT ASM 12-13" W R | Right- 80D- 12-13" W- SHORT |
| 1A,2C,3-14B,15 | 107928 | AAA STRT SHT EXT ASM 14-15" W R | Right- 80D- 14-15" W- SHORT |
| 1A,2D,3-14C,15 | 107930 | AAA STRT SHT EXT ASM 16-17" W R | Right- 80D- 16-17" W- SHORT |
| 1A,2E,3-14D,15 | 107932 | AAA STRT SHT EXT ASM 18-22" W R | Right- 80D- 18-22" W- SHORT |
| >>>> | | 80° HANGERS - SHORT EXT - LEFT | |
| 1A,2B,3-14A,15 | 111535 | AAA STRT SHT EXT ASM 12-13" W L | Left- 80D- 12-13" W- SHORT |
| 1A,2C,3-14B,15 | 107935 | AAA STRT SHT EXT ASM 14" W L | Left- 80D- 14-15" W- SHORT |
| 1A,2D,3-14C,15 | 107937 | AAA STRT SHT EXT ASM 16" W L | Left- 80D- 16-17" W- SHORT |
| 1A,2E,3-14D,15 | 107939 | AAA STRT SHT EXT ASM 18" W L | Left- 80D- 18-22" W- SHORT |
| >>>> | | 80° HANGERS - MED EXT - RIGHT | |
| 1B,2B,3-14A,15 | 111536 | AAA STRT MED EXT ASM 12-13" W R | Right- 80D- 12-13" W- MED |
| 1B,2C,3-14B,15 | 107942 | AAA STRT MED EXT ASM 14-15" W R | Right- 80D- 14-15" W- MED |
| 1B,2D,3-14C,15 | 107944 | AAA STRT MED EXT ASM 16-17" W R | Right- 80D- 16-17" W- MED |
| 1B,2E,3-14D,15 | 107946 | AAA STRT MED EXT ASM 18-22" W R | Right- 80D- 18-22" W- MED |
| >>>> | | 80° HANGERS - MED EXT - LEFT | |
| 1B,2B,3-14A,15 | 111537 | AAA STRT MED EXT ASM 12-13" W L | Left- 80D- 12-13" W- MED |
| 1B,2C,3-14B,15 | 107949 | AAA STRT MED EXT ASM 14" W L | Left- 80D- 14-15" W- MED |
| 1B,2D,3-14C,15 | 107951 | AAA STRT MED EXT ASM 16" W L | Left- 80D- 16-17" W- MED |
| 1B,2E,3-14D,15 | 107953 | AAA STRT MED EXT ASM 18" W L | Left- 80D- 18-22" W- MED |
| >>>> | | 80° HANGERS - LONG EXT - RIGHT | |
| 1C,2B,3-14A,15 | 111538 | AAA STRT LNG EXT ASM 12-13" W R | Right- 80D- 12-13" W- LONG |
| 1C,2C,3-14B,15 | 107956 | AAA STRT LNG EXT ASM 14 - 15" W R | Right- 80D- 14-15" W- LONG |

| Pos. | Item Number | Description | Remarks |
|----------------|-------------|------------------------------------|-------------------------------------------|
| 1C,2D,3-14C,15 | 107958 | AAA STRT LNG EXT ASM 16 -17" W R | Right- 80D- 16-17" W- LONG |
| 1C,2E,3-14D,15 | 107960 | AAA STRT LNG EXT ASM 18 -22" W R | Right- 80D- 18-22" W- LONG |
| >>>> | | 80° HANGERS - LONG EXT - LEFT | |
| 1C,2B,3-14A,15 | 111539 | AAA STRT LNG EXT ASM 12-13" W L | Left- 80D- 12-13" W- LONG |
| 1C,2C,3-14B,15 | 107963 | AAA STRT LNG EXT ASM 14W L | Left- 80D- 14-15" W- LONG |
| 1C,2D,3-14C,15 | 107965 | AAA STRT LNG EXT ASM 16W L | Left- 80D- 16-17" W- LONG |
| 1C,2E,3-14D,15 | 107968 | AAA STRT LNG EXT ASM 18W L | Left- 80D- 18-22" W- LONG |
| >>>> | | 70° HANGERS - SHORT EXT - RIGHT | |
| 1D,2B,3-14A,15 | 111540 | AAA BNT SHT EXT ASM 12-13" W R | Right- 60D,70D,70D HEMI - 12-13" W- SHORT |
| 1D,2C,3-14B,15 | 107973 | AAA BNT SHT EXT ASM 14 -15" W R | Right- 60D,70D,70D HEMI - 14-15" W- SHORT |
| 1D,2D,3-14C,15 | 107975 | AAA BNT SHT EXT ASM 16 -17" W R | Right- 60D,70D,70D HEMI - 16-17" W- SHORT |
| 1D,2E,3-14D,15 | 107977 | AAA BNT SHT EXT ASM 18 -22" W R | Right- 60D,70D,70D HEMI - 18-22" W- SHORT |
| >>>> | | 70° HANGERS - SHORT EXT - LEFT | |
| 1D,2B,3-14A,15 | 111541 | AAA BNT SHT EXT ASM 12-13" W L | Left- 60D,70D,70D HEMI - 12-13" W- SHORT |
| 1D,2C,3-14B,15 | 107980 | AAA BNT SHT EXT ASM 14 -15" W L | Left- 60D,70D,70D HEMI - 14-15" W- SHORT |
| 1D,2D,3-14C,15 | 107982 | AAA BNT SHT EXT ASM 16 -17" W L | Left- 60D,70D,70D HEMI - 16-17" W- SHORT |
| 1D,2E,3-14D,15 | 107984 | AAA BNT SHT EXT ASM 18 -22" W L | Left- 60D,70D,70D HEMI - 18-22" W- SHORT |
| >>>> | | 70° HANGERS - MED EXT - RIGHT | |
| 1E,2B,3-14A,15 | 111542 | AAA BNT MED EXT ASM 12-13" W R | Right- 60D,70D,70D HEMI - 12-13" W- MED |
| 1E,2C,3-14B,15 | 107987 | AAA BNT MED EXT ASM 14 -15" W R | Right- 60D,70D,70D HEMI - 14-15" W- MED |
| 1E,2D,3-14C,15 | 107989 | AAA BNT MED EXT ASM 16 -17" W R | Right- 60D,70D,70D HEMI - 16-17" W- MED |
| 1E,2E,3-14D,15 | 107991 | AAA BNT MED EXT ASM 18 -22" W R | Right- 60D,70D,70D HEMI - 18-22" W- MED |
| >>>> | | 70° HANGERS - MED EXT - LEFT | |
| 1E,2B,3-14A,15 | 111543 | AAA BNT MED EXT ASM 12-13" W L | Left- 60D,70D,70D HEMI - 12-13" W- MED |
| 1E,2C,3-14B,15 | 107994 | AAA BNT MED EXT ASM 14 -15" W L | Left- 60D,70D,70D HEMI - 14-15" W- MED |
| 1E,2D,3-14C,15 | 107996 | AAA BNT MED EXT ASM 16 -17" W L | Left- 60D,70D,70D HEMI - 16-17" W- MED |
| 1E,2E,3-14D,15 | 107998 | AAA BNT MED EXT ASM 18 -22" W L | Left- 60D,70D,70D HEMI - 18-22" W- MED |
| >>>> | | 70° HANGERS - LONG EXT - RIGHT | |
| 1F,2B,3-14A,15 | 111544 | AAA BNT LONG EXT ASM 12-13" W R | Right- 60D,70D,70D HEMI - 12-13" W- LONG |
| 1F,2C,3-14B,15 | 108001 | AAA BNT LONG EXT ASM 14 -15" W R | Right- 60D,70D,70D HEMI - 14-15" W- LONG |
| 1F,2D,3-14C,15 | 108003 | AAA BNT LONG EXT ASM 16 -17" W R | Right- 60D,70D,70D HEMI - 16-17" W- LONG |
| 1F,2E,3-14D,15 | 108005 | AAA BNT LONG EXT ASM 18 -22" W R | Right- 60D,70D,70D HEMI - 18-22" W- LONG |
| >>>> | | 70° HANGERS - LONG EXT - LEFT | |
| 1F,2B,3-14A,15 | 111545 | AAA BNT LONG EXT ASM 12-13" W L | Left- 60D,70D,70D HEMI - 12-13" W- LONG |
| 1F,2C,3-14B,15 | 108008 | AAA BNT LONG EXT ASM 14 -15" W L | Left- 60D,70D,70D HEMI - 14-15" W- LONG |
| 1F,2D,3-14C,15 | 108010 | AAA BNT LONG EXT ASM 16 -17" W L | Left- 60D,70D,70D HEMI - 16-17" W- LONG |
| 1F,2E,3-14D,15 | 108012 | AAA BNT LONG EXT ASM 18 -22" W L | Left- 60D,70D,70D HEMI - 18-22" W- LONG |
| >>>> | | 70° "V" HANGERS - MED EXT - RIGHT | |
| 1G,2A,3-15 | 111546 | AAA V MED EXT ASM 10-11" W R | Right- 70D V hangers only 10-11" W- MED |
| 1G,2B,3-15 | 111548 | AAA V MED EXT ASM 12-13" W R | Right- 70D V hangers only 12-13" W- MED |
| 1G,2C,3-15 | 108015 | AAA V MED EXT ASM 14 -15" W R | Right- 70D V hangers only 14-15" W- MED |
| 1G,2D,3-15 | 108017 | AAA V MED EXT ASM 16 -17" W R | Right- 70D V hangers only 16-18" W- MED |
| 1G,2E,3-15 | 108019 | AAA V MED EXT ASM 18 -18" W R | Right- 70D V hangers only 18-22" W- MED |
| >>>> | | 70° "V" HANGERS - MED EXT - LEFT | |
| 1G,2A,3-15 | 111547 | AAA V MED EXT ASM 10-11" W L | Left- 70D V hangers only 10-11" W- MED |
| 1G,2B,3-15 | 111549 | AAA V MED EXT ASM 12-13" W L | Left- 70D V hangers only 12-13" W- MED |
| 1G,2C,3-15 | 108022 | AAA V MED EXT ASM 14 -15"W L | Left- 70D V hangers only 14-15" W- MED |
| 1G,2D,3-15 | 108024 | AAA V MED EXT ASM 16 -17" W L | Left- 70D V hangers only 16-18" W- MED |
| 1G,2E,3-15 | 108026 | AAA V MED EXT ASM 18 -22: W L | Left- 70D V hangers only 18-22" W- MED |
| >>>> | | 70° "V" HANGERS - LONG EXT - RIGHT | |
| 1H,2A,3-15 | 111550 | AAA V LONG EXT ASM 10-11" W R | Right- 70D V hangers only 10-11" W- LONG |
| 1H,2B,3-15 | 111552 | AAA V LONG EXT ASM 12-13" W R | Right- 70D V hangers only 12-13" W- LONG |
| 1H,2C,3-15 | 108029 | AAA V LONG EXT ASM 14 -15" W R | Right- 70D V hangers only 14-15" W- LONG |
| 1H,2D,3-15 | 108031 | AAA V LONG EXT ASM 16 -17" W R | Right- 70D V hangers only 16-18" W- LONG |
| 1H,2E,3-15 | 108033 | AAA V LONG EXT ASM 18 -22: W R | Right- 70D V hangers only 18-22" W- LONG |
| >>>> | | 70° "V" HANGERS - LONG EXT - LEFT | |
| 1H,2A,3-15 | 111551 | AAA V LONG EXT ASM 10-11" W L | Left- 70D V hangers only 10-11" W- LONG |

| Pos. | Item Number | Description | Remarks |
|-------------|--------------------|--------------------------------|-----------------------------------------|
| 1H,2B,3-15 | 111553 | AAA V LONG EXT ASM 12-13" W L | Left- 70D V hangers only 12-13" W- LONG |
| 1H,2C,3-15 | 108036 | AAA V LONG EXT ASM 14 -15" W L | Left- 70D V hangers only 14-15" W- LONG |
| 1H,2D,3-15 | 108038 | AAA V LONG EXT ASM 16 -17" W L | Left- 70D V hangers only 16-18" W- LONG |
| 1H,2E,3-15 | 108040 | AAA V LONG EXT ASM 18 -22" W L | Left- 70D V hangers only 18-22" W- LONG |
| | | Ship assembled part # | Use with multiple assemblies |
| | ASSY-HNG-FP | HANGER/FOOTPLATE ASSY REQUIRED | add with Hanger & Footplate kit |

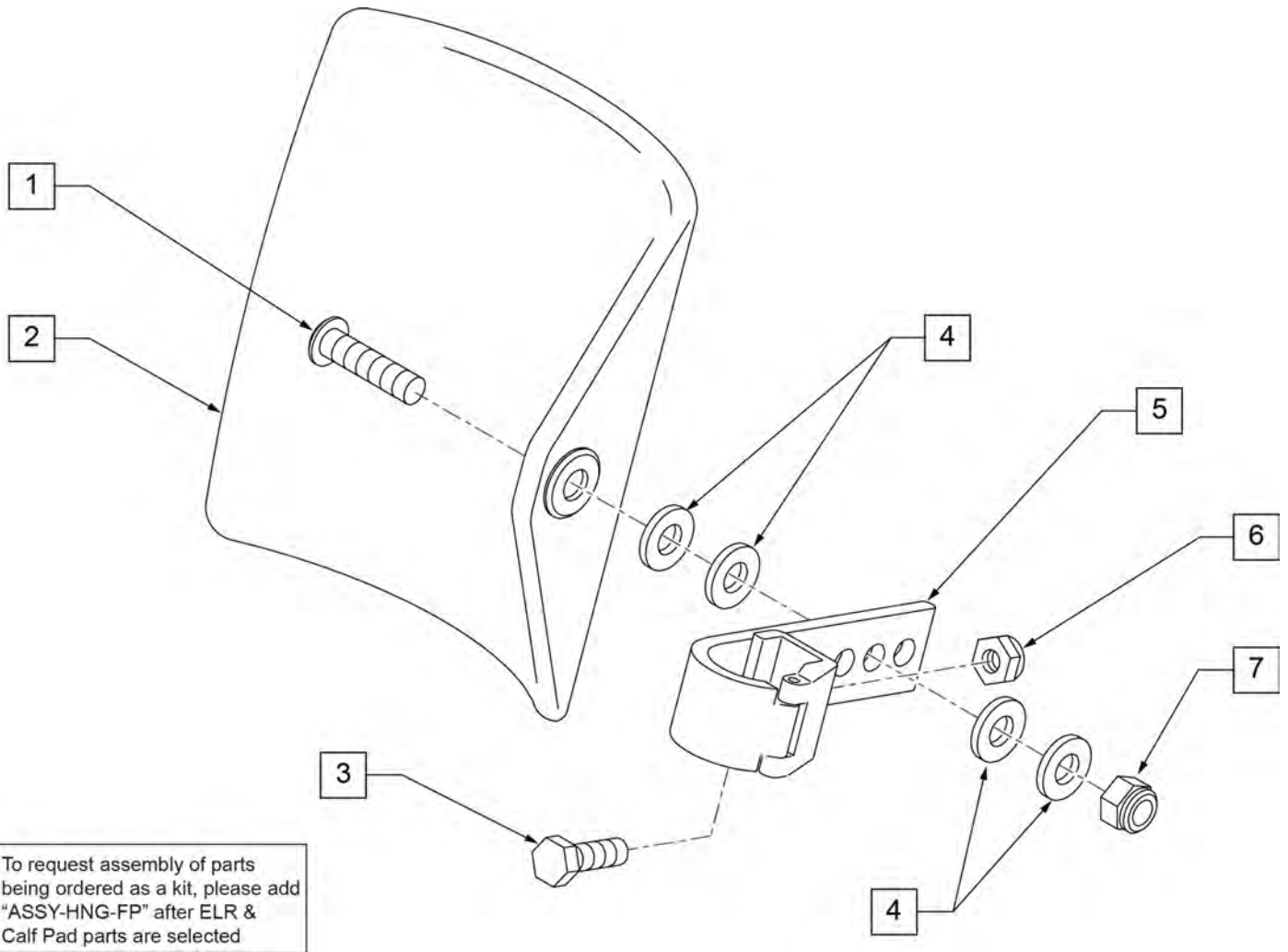


| Pos. | Item Number | Description | Remarks |
|-------|-------------|--------------------------------|---------|
| 1 | 226217 | 5/16-18 x 2" BH C/S BLK | |
| 3 | 106935 | NUT NYLOCK THIN 1/4-28 ROHS | |
| 4 | 561062 | 1" INSERT PLUG .065 RIBS | |
| 5 | 505281 | ELR CLEVIS | |
| 6 | 263100 | 5/16 AN WASHER FLAT | |
| 7 | 540252 | ELR PIVOT PRS | |
| 8 | 226057 | 10/24 x .725 BTTN HD SOC BZ | |
| 9 | 226129 | 1/4-28 x 1 1/4 BH C/S | |
| 10 | 226138 | 5/16-24 x 1 1/2 BH C/S | |
| 11 | 202106 | 5/16-24 NYLOCK NUT THIN BLK | |
| 12 | 561049 | ELR RELEASE ROD COVER | |
| 12,13 | 882411 | ELR 90D ACTUATION ARM ASSM | |
| 14 | 202109 | 5/16-24 ACORN NUT HEX | |
| 15 | 880990 | ELR LOCK HOUSING W/PIN | |
| 16 | 321106 | ELR TORSION SPRING | |
| 17 | 481119 | ELR CAM LOCKING POWDERED METAL | |
| 18 | 561059 | 3/4 OD x .318 ID WASHER | |
| 19 | 500806 | HEMI ELR ADJ STOP FRONT SMALL | |

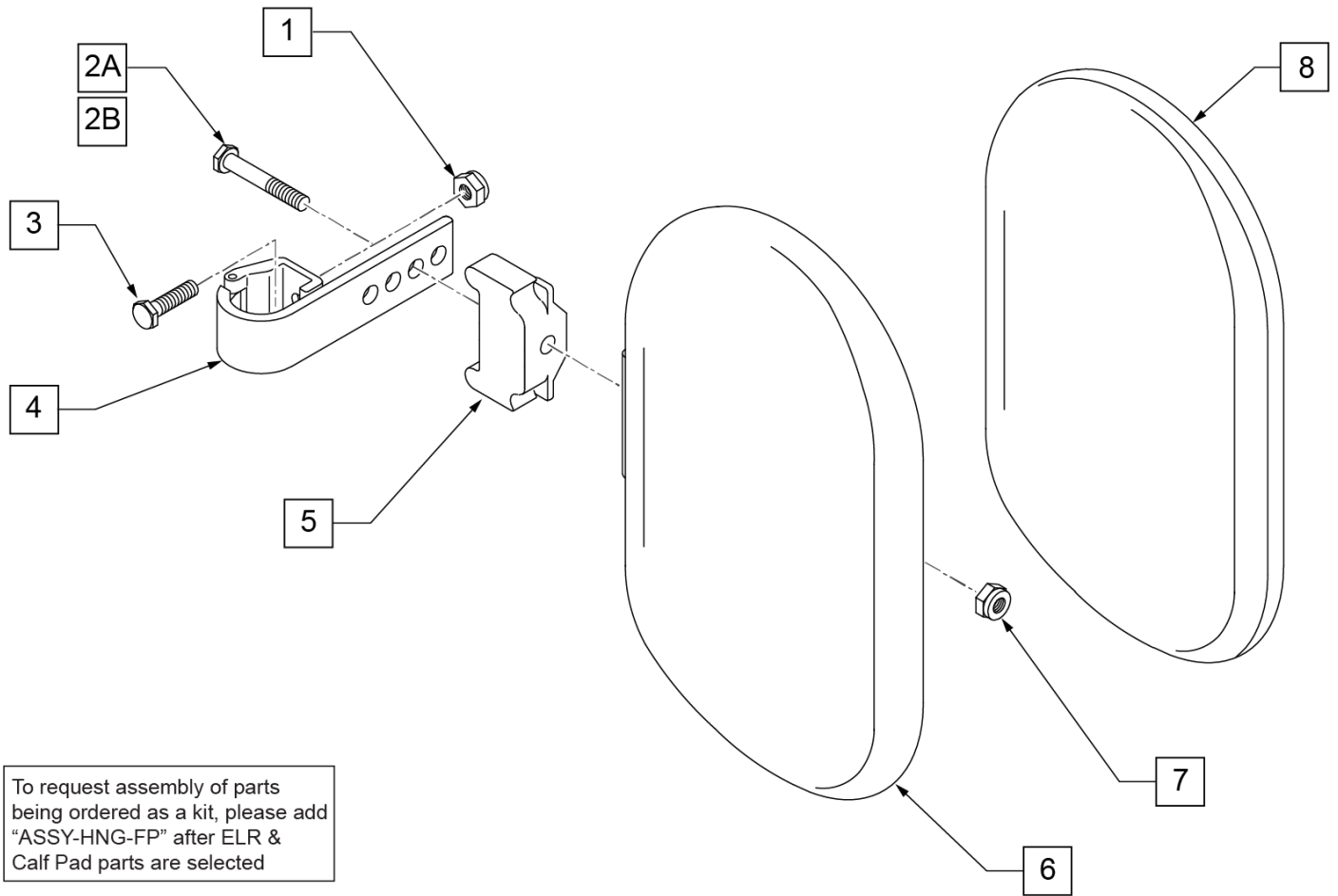
| Pos. | Item Number | Description | Remarks |
|----------------------|-------------|--------------------------------|--------------------------------------------------|
| 20 | 120480 | ELR LOCK ROD HEMI SHORT | |
| 21 | 561197 | PLASTIC PIVOT SADDLE | |
| 22 | 561079 | S/A LATCH LEVER | |
| 23 | 321136 | S/A SPRING L RED | Left |
| 23 | 321137 | S/A SPRING R CLEAR | Right |
| 24,25 | 881500 | LATCH BLOCK ASSM R | |
| 24,25 | 881501 | LATCH BLOCK ASSM L | |
| 26 | 560420 | ELR UPPER PIVOT PLST | |
| 27 | 750226 | KNEE PAD FLAT 3H X 5L W/COVER | |
| 28 | 922328 | ELR HEMI KNEE PAD ASSM | |
| 29 | 118060S | TUBE HANGER ELR | |
| 30 | 106823 | SET SCREW 3/8-24 X 3/8 FLT PT | |
| 31 | 104166 | CLAMP BODY FOOTREST | |
| 32 | 104171 | PAD LOCKING FOOTREST | |
| 33 | 107491 | LATCH STUD KIT | |
| 1-9,21-25 | 921826 | ELR PIVOT BLOCK ASSM R | |
| 1-9,21-25 | 921827 | ELR PIVOT BLOCK ASSM L | |
| 1-28 | 120478 | ELR SUB ASSM R HEMI SHORT | Std for QXI -Right, order items 29-31 separately |
| 1-28 | 120479 | ELR SUB ASSM L HEMI SHORT | Std for QXI -Left, order items 29-31 separately |
| 30-32 | 119495 | EXTENSION CLAMP KIT | |
| 34 | 125620 | ELR FT PLTS 14-15W SHT EXT CS | Pair-Short extension |
| 34 | 125621 | ELR FT PLTS 16-17W SHT EXT CS | Pair-Short extension |
| 34 | 125622 | ELR FT PLTS 18-20W SHT EXT CS | Pair-Short extension |
| 34 | 125623 | ELR FT PLTS 14-15W MED EXT CS | Pair-Med extension |
| 34 | 125624 | ELR FT PLTS 16-17W MED EXT CS | Pair-Med extension |
| 34 | 125626 | ELR FT PLTS 18-20W MED EXT CS | Pair-Med extension |
| 34 | 125629 | ELR FT PLTS 14-15W LNG EXT CS | Pair-Large extension |
| 34 | 125631 | ELR FT PLTS 16-17W LNG EXT CS | Pair-Large extension |
| 34 | 125632 | ELR FT PLTS 18-20W LNG EXT CS | Pair-Large extension |
| 35 | 222108 | 5/16-18 x 1 1/4 BH C/S | |
| 36 | 755014 | CALF PAD TROUGH STYLE 14/16 | |
| 37 | 561016 | 1" WASHER 5/16" HOLE | |
| 38 | 881413 | CALF PAD BRACKET ASSM | |
| 39 | 106934 | 1/4-28 NYLOCK NUT | |
| 40 | 106937 | 5/16-18 NYLOCK NUT THIN | |
| 41 | 221096 | 1/4-28 x 5/8 HEX C/S | |
| 42A | 222242 | 5/16-18 x 2 1/2 HEX C/S | |
| 42B | 107019 | HHCS 5/16-18 x 3-1/2 ROHS | Use with item 44 |
| 43 | 221096 | 1/4-28 x 5/8 HEX C/S | |
| 44 | 560199 | ELR CALF HINGE SPACER | Used with 16-17 wide calf pad |
| 45 | 560108 | CALF PAD MOLDED 16-20" | |
| 46 | 106934 | 1/4-28 NYLOCK NUT | |
| 47 | 106936 | 5/16-18 NYLOCK NUT THICK | |
| 48 | 751045 | CALF PAD COVER NEOPRENE | |
| 1-32,35-41 | 125633 | ELR CS 14-15W W/O FT PLT PAIR | Pair |
| 1-32,38,42A,43,45-48 | 125634 | ELR CS 16-17W W/O FT PLT PAIR | Pair |
| 1-32,38,42B-48 | 125635 | ELR CS 18-20W W/O FT PLT PAIR | Pair |
| | | Ship assembled part # | Use with multiple assemblies |
| | ASSY-HNG-FP | HANGER/FOOTPLATE ASSY REQUIRED | add with Hanger & Footplate kit |

[01/2012]

NOTE: QXI chairs utilize Hemi spacing as standard for ELR hanger attachment.

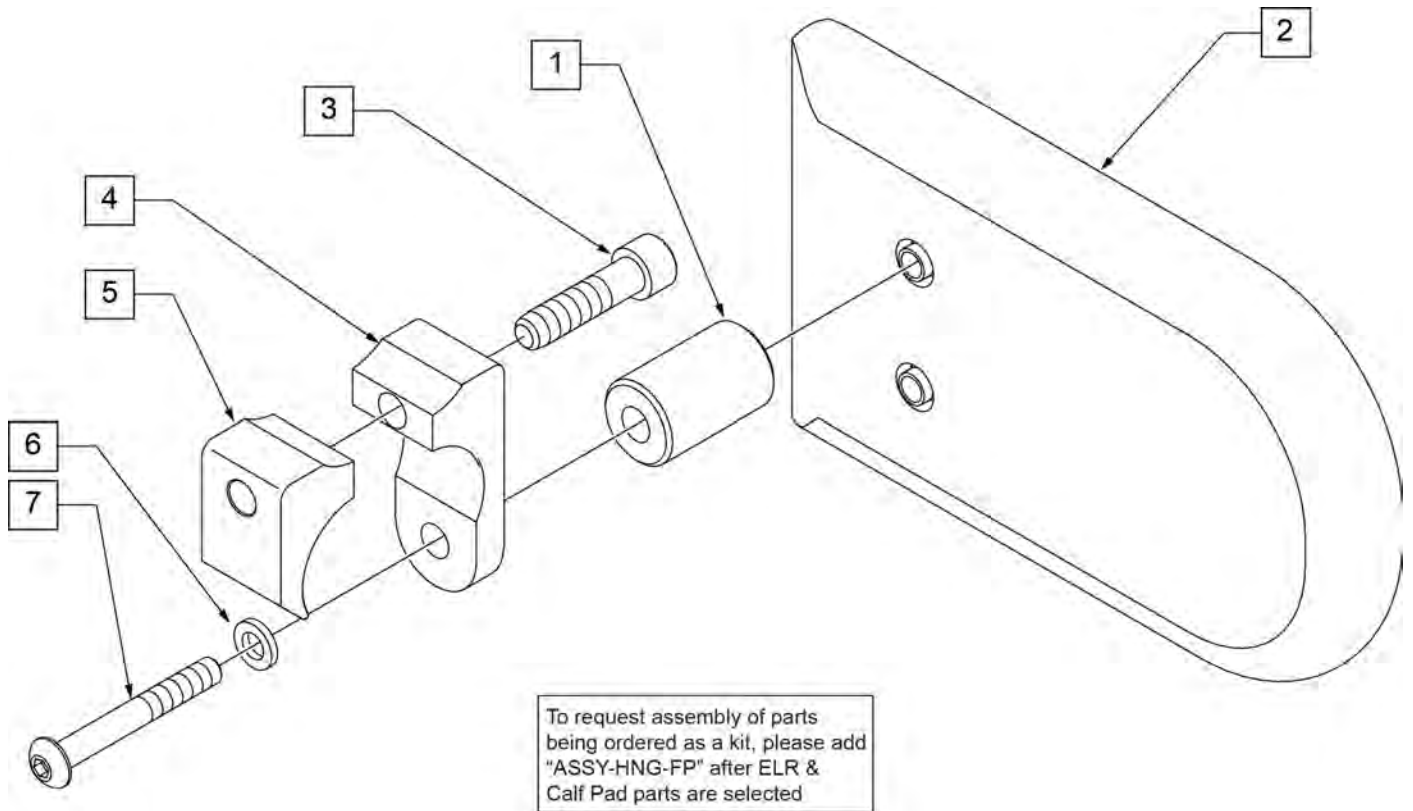


| Pos. | Item Number | Description | Remarks |
|------|-------------|----------------------------------|---------------------------------|
| 1 | 106980 | BHCS 5/16-18 X 1-1/4 ROHS | |
| 2 | 755014 | CALF PAD TROUGH STYLE 14"/16" | |
| 3 | 221097 | 1/4-28 X 5/8 HEX C/S BZ | |
| 4 | 561016 | 1" WASHER 5/16" HOLE | |
| 5 | 881413 | CALF PAD BRACKET ASSEMBLY | |
| 6 | 106934 | NUT NYLOCK 1/4-28 ROHS | |
| 7 | 106937 | NUT NYLOCK THIN 5/16-18 | |
| 1-7 | 881414 | CALF PAD J-HOOK 14"-15" ASSEMBLY | |
| | | Ship assembled part # | Use with multiple assemblies |
| | ASSY-HNG-FP | HANGER/FOOTPLATE ASSY REQUIRED | add with Hanger & Footplate kit |



To request assembly of parts being ordered as a kit, please add "ASSY-HNG-FP" after ELR & Calf Pad parts are selected

| Pos. | Item Number | Description | Remarks |
|--------------|-------------|----------------------------------|---------------------------------|
| 1 | 106934 | NUT NYLOCK 1/4-28 ROHS | |
| 2A | 107018 | HHCS 5/16-18 X 2-1/2 ROHS | 16"-17" wide only |
| 2B | 107019 | HHCS 5/16-18 X 3-1/2 ROHS | 18"-20" wide only |
| 3 | 107013 | HHCS 1/4-28 X 5/8 ROHS | |
| 4 | 881413 | CALF PAD BRACKET ASSEMBLY | |
| 5 | 560199 | ELR CALF HINGE SPACER | 18"-20" wide only |
| 6 | 560108 | CALF PAD MOLDED 16"-20" | |
| 7 | 106936 | NUT NYLOCK 5/16-18 ROHS | |
| 8 | 751045 | CALF PAD COVER | |
| 1,2A,3,4,6-8 | 881416 | CALF MOLDED 16"-17" ASSEMBLY | |
| 1,2B,3-7,8 | 881412 | CALF PAD MOLDED 18"-20" ASSEMBLY | |
| | | Ship assembled part # | Use with multiple assemblies |
| | ASSY-HNG-FP | HANGER/FOOTPLATE ASSY REQUIRED | add with Hanger & Footplate kit |



| Pos. | Item Number | Description | Remarks |
|------|-------------|--------------------------------|---------------------------------|
| 2 | 750226 | KNEE PAD FLAT 3H X 5L W/COVER | |
| 1-7 | 922328 | ELR HEMI KNEE PAD ASSM | |
| | | Ship assembled part # | Use with multiple assemblies |
| | ASSY-HNG-FP | HANGER/FOOTPLATE ASSY REQUIRED | add with Hanger & Footplate kit |

Note: Footplate Assemblies are set to footrest width; please see "Footplate Formula" table for seat width conversion.

Note: V Style Hangers are not available on Swing Away Style chairs effective 7/14/14; see the "Prior To" ordering guide for V Style footplate assemblies.

Note: for QX Series or SR45 footplate replacement parts see the ordering guide marked specifically for these two models in the informations panel.

To have complete Footrest ship assembled, choose compatible Hanger + Footplate part numbers and add "ASSY-HNG-FP" to order

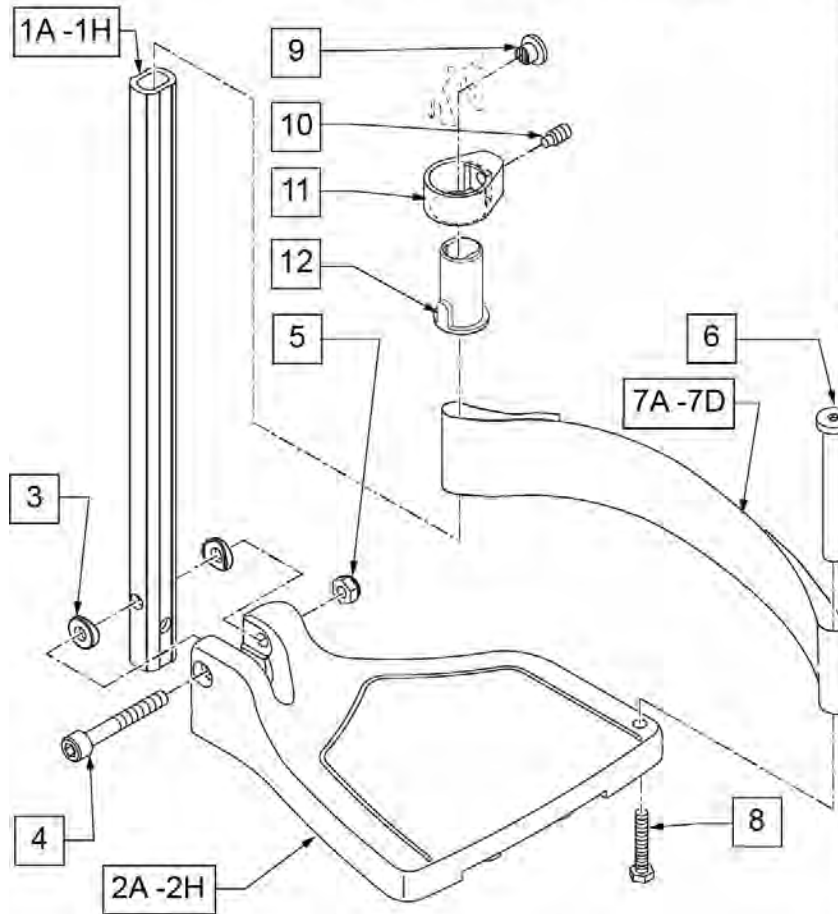
INSET FORMULA

0" Inset (Seat Width) = Footrest Width
 1" Inset (Seat Width) -2" = Footrest Width
 "V" Hanger (Seat Width) -4" = Footrest Width
 Offset Hanger Receiver (Seat Width) +2" = Footrest Width

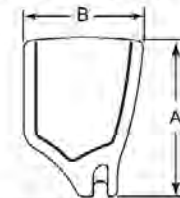
Composite Footplates w/ Ext & HL for Swing I/O Hangers

(Order 1 each)

| Ext. Tube | Footrest Width | 60°, 70° & 70° Hemi Style, ELR & ALR Hangers (Bent Extension) | | | | 80° Style Hanger (Straight Extension) | | |
|------------|----------------|---------------------------------------------------------------|--------|--------|--------|---------------------------------------|--------|--------|
| | | Hemi Short Hanger | Bent | Short | Medium | Long | Short | Medium |
| 13" Right | 129724 | 107748 | 107760 | 107774 | 107704 | 107718 | 107732 | |
| 13" Left | 129725 | 107753 | 107767 | 107781 | 107711 | 107725 | 107739 | |
| 14" Right | 129726 | 107747 | 107761 | 107775 | 107705 | 107719 | 107733 | |
| 14" Left | 129727 | 107754 | 107768 | 107782 | 107712 | 107726 | 107740 | |
| 15" Right | 129728 | 107748 | 107762 | 107776 | 107706 | 107720 | 107734 | |
| 15" Left | 129729 | 107756 | 107769 | 107783 | 107713 | 107727 | 107741 | |
| 16" Right | 129730 | 107749 | 107763 | 107777 | 107707 | 107721 | 107735 | |
| 16" Left | 129731 | 107758 | 107770 | 107784 | 107714 | 107728 | 107742 | |
| 17" Right | 129732 | 107750 | 107764 | 107778 | 107708 | 107722 | 107736 | |
| 17" Left | 129733 | 107757 | 107771 | 107785 | 107715 | 107729 | 107743 | |
| 18" Right | 129734 | 107751 | 107765 | 107779 | 107709 | 107723 | 107737 | |
| 18" Left | 129735 | 107758 | 107772 | 107786 | 107716 | 107730 | 107744 | |
| 19"-20" Rt | 129736 | 107752 | 107766 | 107780 | 107710 | 107724 | 107738 | |
| 19"-20" Lt | 129737 | 107759 | 107773 | 107787 | 107717 | 107731 | 107745 | |
| 21"-22" Rt | 129738 | 111528 | 111530 | 111532 | 111522 | 111524 | 111526 | |
| 21"-22" Lt | 129739 | 111529 | 111531 | 111533 | 111523 | 111525 | 111527 | |



FOOTPLATE MEASURING GUIDE



| PART NO | DESCRIPTION | "A" | "B" |
|------------|-------------------------------------|---------|--------|
| 063216-006 | FOOTPLATE COMPOSITE 167 R (13"W) | 6 1/8" | 6" |
| 063216-012 | FOOTPLATE COMPOSITE 167 L (13"W) | 6 1/8" | 6" |
| 063216-015 | FOOTPLATE COMPOSITE 170 R (14"W) | 6 5/8" | 6" |
| 063216-018 | FOOTPLATE COMPOSITE 170 L (14"W) | 6 5/8" | 6" |
| 063216-005 | FOOTPLATE COMPOSITE 182 R (15"W) | 7 1/8" | 6" |
| 063216-011 | FOOTPLATE COMPOSITE 182 L (15"W) | 7 1/8" | 6" |
| 063216-014 | FOOTPLATE COMPOSITE 195 R (16"W) | 7 5/8" | 6" |
| 063216-017 | FOOTPLATE COMPOSITE 195 L (16"W) | 7 5/8" | 6" |
| 063216-004 | FOOTPLATE COMPOSITE 207 R (17"W) | 8 1/8" | 6" |
| 063216-010 | FOOTPLATE COMPOSITE 207 L (17"W) | 8 1/8" | 6" |
| 063216-013 | FOOTPLATE COMPOSITE 220 R (18"W) | 8 5/8" | 6 1/4" |
| 063216-016 | FOOTPLATE COMPOSITE 220 L (18"W) | 8 5/8" | 6 1/4" |
| 063216-003 | FOOTPLATE COMPOSITE 232 R (19-20"W) | 9 1/8" | 6 1/4" |
| 063216-009 | FOOTPLATE COMPOSITE 232 L (19-20"W) | 9 1/8" | 6 1/4" |
| 063216-002 | FOOTPLATE COMPOSITE 257 R (21-22"W) | 10 1/8" | 6 1/4" |
| 063216-008 | FOOTPLATE COMPOSITE 257 L (21-22"W) | 10 1/8" | 6 1/4" |

| Pos. | Item Number | Description | Remarks |
|--------|-------------|------------------------|---------------------------|
| 1A,3-5 | 120660 | SHT STRT EXT COMP HDWR | 80 deg hangers + ELR only |
| 1B,3-5 | 120661 | MED STRT EXT COMP HDWR | 80 deg hangers + ELR only |
| 1C,3-5 | 120662 | LNG STRT EXT COMP HDWR | 80 deg hangers + ELR only |
| 1D,3-5 | 120663 | SHT BNT EXT COMP HDWR | 60,70,70 Hemi Hangers |
| 1E,3-5 | 120664 | MED BNT EXT COMP HDWR | 60,70,70 Hemi Hangers |
| 1F,3-5 | 120665 | LNG BNT EXT COMP HDWR | 60,70,70 Hemi Hangers |

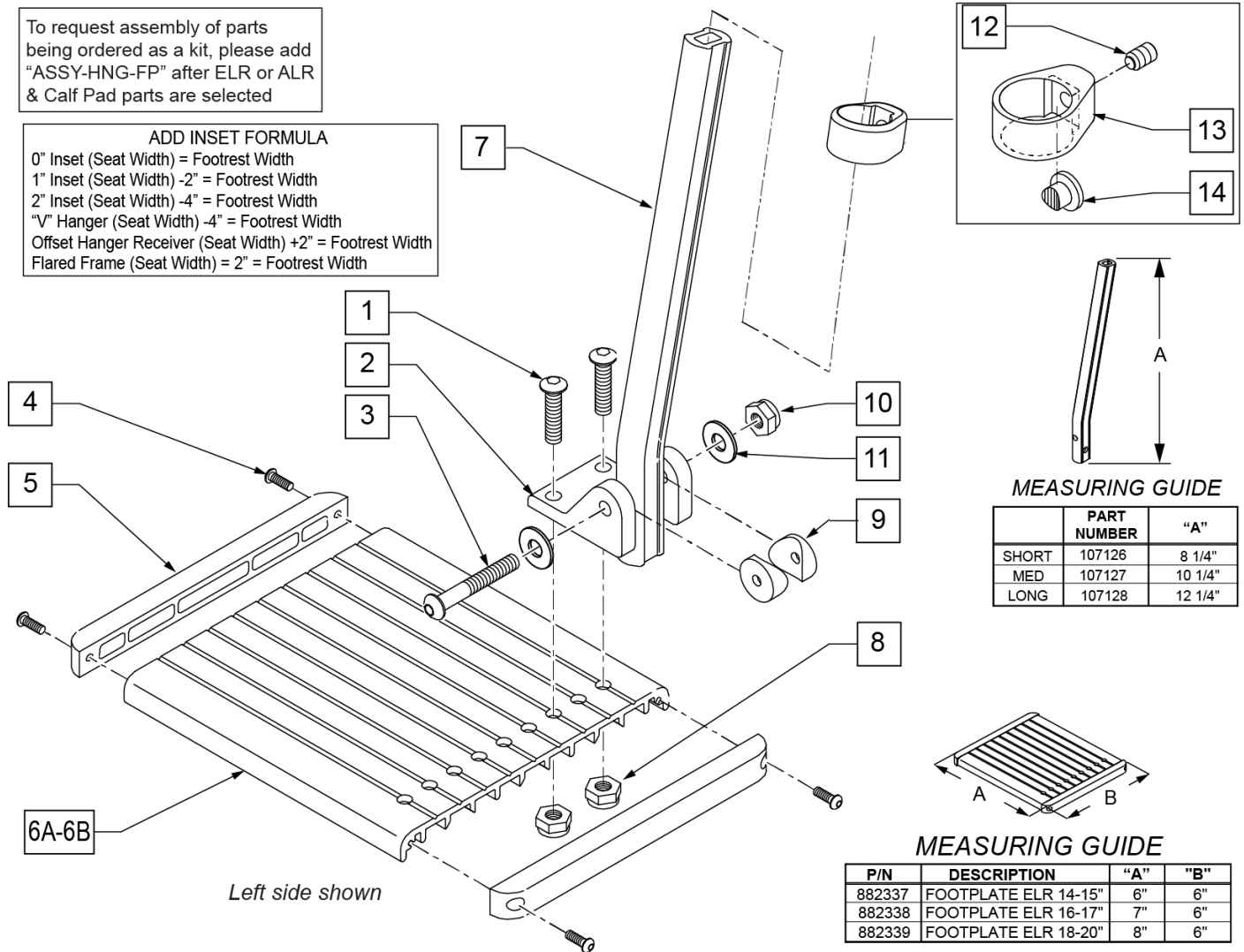
| Pos. | Item Number | Description | Remarks |
|----------------|-------------|----------------------------------------------|----------------------------------|
| 1G,3-5 | 120666 | SHT V EXT R COMP HDWR | 70 deg V hangers only-LEFT |
| 1G,3-5 | 120667 | SHT V EXT L COMP HDWR | 70 deg V hangers only-RIGHT |
| 1H,3-5 | 120668 | LNG V EXT R COMP HDWR | 70 deg V hangers only-LEFT |
| 1H,3-5 | 120669 | LNG V EXT L COMP HDWR | 70 deg V hangers only-RIGHT |
| 2A | 063216-006 | FOOTPLATE COMPOSITE 157 R | RIGHT 13" Footrest Width |
| 2A | 063216-012 | FOOTPLATE COMPOSITE 157 L | LEFT 13" Footrest Width |
| 2B | 063216-015 | FOOTPLATE COMPOSITE 170 R | RIGHT 14" Footrest Width |
| 2B | 063216-018 | FOOTPLATE COMPOSITE 170 L | LEFT 14" Footrest Width |
| 2C | 063216-005 | COMPOSITE FOOTPLATE 182 R | RIGHT 15" Footrest Width |
| 2C | 063216-011 | COMPOSITE FOOTPLATE 182 L | LEFT 15" Footrest Width |
| 2D | 063216-014 | FOOTPLATE COMPOSITE 195 R | RIGHT 16" Footrest Width |
| 2D | 063216-017 | FOOTPLATE COMPOSITE 195 L | LEFT 16" Footrest Width |
| 2E | 063216-004 | COMPOSITE FOOTPLATE 207 R | RIGHT 17" Footrest Width |
| 2E | 063216-010 | COMPOSITE FOOTPLATE 207 L | LEFT 17" Footrest Width |
| 2F | 063216-013 | FOOTPLATE COMPOSITE 220 R | RIGHT 18" Footrest Width |
| 2F | 063216-016 | FOOTPLATE COMPOSITE 220 L | LEFT 18" Footrest Width |
| 2G | 063216-003 | COMPOSITE FOOTPLATE 232 R | RIGHT 19" & 20" Footrest Width |
| 2G | 063216-009 | COMPOSITE FOOTPLATE 232 L | LEFT 19" & 20" Footrest Width |
| 2H | 063216-002 | FOOTPLATE COMPOSITE 257 R | RIGHT 21" & 22" Footrest Width |
| 2H | 063216-008 | FOOTPLATE COMPOSITE 257 L | LEFT 21" & 22" Footrest Width |
| 3 | 104377 | 3/4" SADDLE THIN | |
| 4 | 103175 | SHCS M6 X 1 X 40 INORG | |
| 5 | 132626 | NUT AUTOMATION M6 X 1.0 | Inserted in bottom of footplate. |
| 6 | 104328 | HEEL LOOP PEG | |
| 7A | 104380-001 | ADJUSTABLE FOOT REST STRAP | 14" wide |
| 7B | 104380-002 | ADJUSTABLE FOOT REST STRAP | 15-16" wide |
| 7C | 104380-003 | ADJUSTABLE FOOT REST STRAP | 17-18" wide |
| 7D | 104380-004 | ADJUSTABLE FOOT REST STRAP | 19-22" wide |
| 8 | 102268-001 | HHCS M6 X 1 X 25 | |
| 12 | 104160 | BUSHING FOOTREST | |
| 9-12 | 107485 | FOOTREST CLAMP ASSM | |
| | | Ship assembled part # | Use with multiple assemblies |
| | ASSY-HNG-FP | HANGER/FOOTPLATE ASSY REQUIRED | add with Hanger & Footplate kit |
| >>>> | | 60°,70°,70° HEMI HANGERS - SHORT EXT - RIGHT | |
| 1D,2A,3-6,7A,8 | 107746 | COMP BNT SHT EXT ASM 13" W R | Right- 70D- 13" W- SHORT |
| 1D,2B,3-6,7A,8 | 107747 | COMP BNT SHT EXT ASM 14" W R | Right- 70D- 14" W- SHORT |
| 1D,2C,3-6,7B,8 | 107748 | COMP BNT SHT EXT ASM 15" W R | Right- 70D- 15" W- SHORT |
| 1D,2D,3-6,7B,8 | 107749 | COMP BNT SHT EXT ASM 16" W R | Right- 70D- 16" W- SHORT |
| 1D,2E,3-6,7C,8 | 107750 | COMP BNT SHT EXT ASM 17" W R | Right- 70D- 17" W- SHORT |
| 1D,2F,3-6,7C,8 | 107751 | COMP BNT SHT EXT ASM 18" W R | Right- 70D- 18" W- SHORT |
| 1D,2G,3-6,7D,8 | 107752 | COMP BNT SHT EXT ASM 19 & 20"W R | Right- 70D- 19 & 20" W- SHORT |
| 1D,2H,3-6,7D,8 | 111528 | COMP BNT SHT EXT ASM 21 & 22"W R | Right- 70D- 21 & 22" W- SHORT |
| >>>> | | 60°,70°,70° HEMI HANGERS - SHORT EXT - LEFT | |
| 1D,2A,3-6,7A,8 | 107753 | COMP BNT SHT EXT ASM 13" W L | Left- 70D- 13 W- SHORT |
| 1D,2B,3-6,7A,8 | 107754 | COMP BNT SHT EXT ASM 14" W L | Left- 70D- 14 W- SHORT |
| 1D,2C,3-6,7B,8 | 107755 | COMP BNT SHT EXT ASM 15" W L | Left- 70D- 15 W- SHORT |
| 1D,2D,3-6,7B,8 | 107756 | COMP BNT SHT EXT ASM 16" W L | Left- 70D- 16 W- SHORT |
| 1D,2E,3-6,7C,8 | 107757 | COMP BNT SHT EXT ASM 17" W L | Left- 70D- 17 W- SHORT |
| 1D,2F,3-6,7C,8 | 107758 | COMP BNT SHT EXT ASM 18" W L | Left- 70D- 18 W- SHORT |
| 1D,2G,3-6,7D,8 | 107759 | COMP BNT SHT EXT ASM 19 & 20"W L | Left- 70D- 19 & 20" W- SHORT |
| 1D,2H,3-6,7D,8 | 111529 | COMP BNT SHT EXT ASM 21 & 22"W L | Left- 70D- 21 & 22" W- SHORT |
| >>>> | | 60°,70°,70° HEMI HANGERS - MED EXT - RIGHT | |
| 1E,2A,3-6,7A,8 | 107760 | COMP BNT MED EXT ASM 13" W R | Right- 70D- 13" W- MED |
| 1E,2B,3-6,7A,8 | 107761 | COMP BNT MED EXT ASM 14" W R | Right- 70D- 14" W- MED |
| 1E,2C,3-6,7B,8 | 107762 | COMP BNT MED EXT ASM 15" W R | Right- 70D- 15" W- MED |
| 1E,2D,3-6,7B,8 | 107763 | COMP BNT MED EXT ASM 16" W R | Right- 70D- 16" W- MED |
| 1E,2E,3-6,7C,8 | 107764 | COMP BNT MED EXT ASM 17" W R | Right- 70D- 17" W- MED |

| Pos. | Item Number | Description | Remarks |
|----------------|-------------|---------------------------------------------|--------------------------------------|
| 1E,2F,3-6,7C,8 | 107765 | COMP BNT MED EXT ASM 18" W R | Right- 70D- 18" W- MED |
| 1E,2G,3-6,7D,8 | 107766 | COMP BNT MED EXT ASM 19 & 20"W R | Right- 70D- 19 & 20" W- MED |
| 1E,2H,3-6,7D,8 | 111530 | COMP BNT MED EXT ASM 21 & 22"W R | Right- 70D- 21 & 22" W- MED |
| >>>> | | 60°,70°,70° HEMI HANGERS - MED EXT - LEFT | |
| 1E,2A,3-6,7A,8 | 107767 | COMP BNT MED EXT ASM 13" W L | Left- 70D- 13 W- MED |
| 1E,2B,3-6,7A,8 | 107768 | COMP BNT MED EXT ASM 14" W L | Left- 70D- 14 W- MED |
| 1E,2C,3-6,7B,8 | 107769 | COMP BNT MED EXT ASM 15" W L | Left- 70D- 15 W- MED |
| 1E,2D,3-6,7B,8 | 107770 | COMP BNT MED EXT ASM 16" W L | Left- 70D- 16 W- MED |
| 1E,2E,3-6,7C,8 | 107771 | COMP BNT MED EXT ASM 17" W L | Left- 70D- 17 W- MED |
| 1E,2F,3-6,7C,8 | 107772 | COMP BNT MED EXT ASM 18" W L | Left- 70D- 18 W- MED |
| 1E,2G,3-6,7D,8 | 107773 | COMP BNT MED EXT ASM 19 & 20"W L | Left- 70D- 19 & 20" W- MED |
| 1E,2H,3-6,7D,8 | 111531 | COMP BNT MED EXT ASM 21 & 22"W L | Left- 70D- 21 & 22" W- MED |
| >>>> | | 60°,70°,70° HEMI HANGERS - LONG EXT - RIGHT | |
| 1F,2A,3-6,7A,8 | 107774 | COMP BNT LONG EXT ASM 13" W R | Right- 70D- 13" W- LONG |
| 1F,2B,3-6,7A,8 | 107775 | COMP BNT LONG EXT ASM 14" W R | Right- 70D- 14" W- LONG |
| 1F,2C,3-6,7B,8 | 107776 | COMP BNT LONG EXT ASM 15" W R | Right- 70D- 15" W- LONG |
| 1F,2D,3-6,7B,8 | 107777 | COMP BNT LONG EXT ASM 16" W R | Right- 70D- 16" W- LONG |
| 1F,2E,3-6,7C,8 | 107778 | COMP BNT LONG EXT ASM 17" W R | Right- 70D- 17" W- LONG |
| 1F,2F,3-6,7C,8 | 107779 | COMP BNT LONG EXT ASM 18" W R | Right- 70D- 18" W- LONG |
| 1F,2G,3-6,7D,8 | 107780 | COMP BNT LONG EXT ASM 19 & 20"W R | Right- 70D- 19 & 20" W- LONG |
| 1F,2H,3-6,7D,8 | 111532 | COMP BNT LONG EXT ASM 21 & 22"W R | Right- 70D- 21 & 22" W- LONG |
| >>>> | | 60°,70°,70° HEMI HANGERS - LONG EXT - LEFT | |
| 1F,2A,3-6,7A,8 | 107781 | COMP BNT LONG EXT ASM 13" W L | Left- 70D- 13 W- LONG |
| 1F,2B,3-6,7A,8 | 107782 | COMP BNT LONG EXT ASM 14" W L | Left- 70D- 14 W- LONG |
| 1F,2C,3-6,7B,8 | 107783 | COMP BNT LONG EXT ASM 15" W L | Left- 70D- 15 W- LONG |
| 1F,2D,3-6,7B,8 | 107784 | COMP BNT LONG EXT ASM 16" W L | Left- 70D- 16 W- LONG |
| 1F,2E,3-6,7C,8 | 107785 | COMP BNT LONG EXT ASM 17" W L | Left- 70D- 17 W- LONG |
| 1F,2F,3-6,7C,8 | 107786 | COMP BNT LONG EXT ASM 18" W L | Left- 70D- 18 W- LONG |
| 1F,2G,3-6,7D,8 | 107787 | COMP BNT LONG EXT ASM 19 & 20"W L | Left- 70D- 19 & 20" W- LONG |
| 1F,2H,3-6,7D,8 | 111533 | COMP BNT LONG EXT ASM 21 & 22"W L | Left- 70D- 21 & 22" W- LONG |
| >>>> | | 70 DEGREE "V" HANGERS - MED EXT - RIGHT | |
| 1G,2A,3-8 | 107788 | COMP V MED EXT ASM 13W R | Right- 70D V hangers only 13 W- MED |
| 1G,2B,3-8 | 107789 | COMP V MED EXT ASM 14W R | Right- 70D V hangers only 14 W- MED |
| 1G,2C,3-8 | 107790 | COMP V MED EXT ASM 15W R | Right- 70D V hangers only 15 W- MED |
| 1G,2D,3-8 | 107791 | COMP V MED EXT ASM 16W R | Right- 70D V hangers only 16 W- MED |
| 1G,2E,3-8 | 107792 | COMP V MED EXT ASM 17W R | Right- 70D V hangers only 17 W- MED |
| 1G,2F,3-8 | 107793 | COMP V MED EXT ASM 18W R | Right- 70D V hangers only 18 W- MED |
| >>>> | | 70 DEGREE "V" HANGERS - MED EXT - LEFT | |
| 1G,2A,3-8 | 107795 | COMP V MED EXT ASM 13W L | Left- 70D V hangers only 13 W- MED |
| 1G,2B,3-8 | 107796 | COMP V MED EXT ASM 14W L | Left- 70D V hangers only 14 W- MED |
| 1G,2C,3-8 | 107797 | COMP V MED EXT ASM 15W L | Left- 70D V hangers only 15 W- MED |
| 1G,2D,3-8 | 107798 | COMP V MED EXT ASM 16W L | Left- 70D V hangers only 16 W- MED |
| 1G,2E,3-8 | 107799 | COMP V MED EXT ASM 17W L | Left- 70D V hangers only 17 W- MED |
| 1G,2F,3-8 | 107800 | COMP V MED EXT ASM 18W L | Left- 70D V hangers only 18 W- MED |
| >>>> | | 70 DEGREE "V" HANGERS - LONG EXT - RIGHT | |
| 1H,2A,3-8 | 107802 | COMP V LNG EXT ASM 13W R | Right- 70D V hangers only 13 W- LONG |
| 1H,2B,3-8 | 107803 | COMP V LNG EXT ASM 14W R | Right- 70D V hangers only 14 W- LONG |
| 1H,2C,3-8 | 107804 | COMP V LNG EXT ASM 15W R | Right- 70D V hangers only 15 W- LONG |
| 1H,2D,3-8 | 107805 | COMP V LNG EXT ASM 16W R | Right- 70D V hangers only 16 W- LONG |
| 1H,2E,3-8 | 107806 | COMP V LNG EXT ASM 17W R | Right- 70D V hangers only 17 W- LONG |
| 1H,2F,3-8 | 107807 | COMP V LNG EXT ASM 18W R | Right- 70D V hangers only 18 W- LONG |
| >>>> | | 70 DEGREE "V" HANGERS - LONG EXT - LEFT | |
| 1H,2A,3-8 | 107809 | COMP V LNG EXT ASM 13W L | Left- 70D V hangers only 13 W- LONG |
| 1H,2B,3-8 | 107810 | COMP V LNG EXT ASM 14W L | Left- 70D V hangers only 14 W- LONG |
| 1H,2C,3-8 | 107811 | COMP V LNG EXT ASM 15W L | Left- 70D V hangers only 15 W- LONG |
| 1H,2D,3-8 | 107812 | COMP V LNG EXT ASM 16W L | Left- 70D V hangers only 16 W- LONG |
| 1H,2E,3-8 | 107813 | COMP V LNG EXT ASM 17W L | Left- 70D V hangers only 17 W- LONG |

| Pos. | Item Number | Description | Remarks |
|----------------|-------------|---------------------------------------|-------------------------------------|
| 1H,2F,3-8 | 107814 | COMP V LNG EXT ASM 18W L | Left- 70D V hangers only 18 W- LONG |
| >>>> | | 80 DEGREE HANGERS - SHORT EXT - RIGHT | |
| 1A,2A,3-6,7A,8 | 107704 | COMP STRT SHT EXT ASM 13"W R | Right- 80D- 13" W- SHORT |
| 1A,2B,3-6,7A,8 | 107705 | COMP STRT SHT EXT ASM 14"W R | Right- 80D- 14" W- SHORT |
| 1A,2C,3-6,7B,8 | 107706 | COMP STRT SHT EXT ASM 15"W R | Right- 80D- 15" W- SHORT |
| 1A,2D,3-6,7B,8 | 107707 | COMP STRT SHT EXT ASM 16"W R | Right- 80D- 16" W- SHORT |
| 1A,2E,3-6,7C,8 | 107708 | COMP STRT SHT EXT ASM 17"W R | Right- 80D- 17" W- SHORT |
| 1A,2F,3-6,7C,8 | 107709 | COMP STRT SHT EXT ASM 18"W R | Right- 80D- 18" W- SHORT |
| 1A,2G,3-6,7D,8 | 107710 | COMP STRT SHT EXT ASM 19 & 20"W R | Right- 80D- 19 & 20" W- SHORT |
| 1A,2H,3-6,7D,8 | 111522 | COMP STRT SHT EXT ASM 21 & 22"W R | Right- 80D- 21 & 22" W- SHORT |
| >>>> | | 80 DEGREE HANGERS - SHORT EXT - LEFT | |
| 1A,2A,3-6,7A,8 | 107711 | COMP STRT SHT EXT ASM 13"W L | LEFT- 80D- 13" W- SHORT |
| 1A,2B,3-6,7A,8 | 107712 | COMP STRT SHT EXT ASM 14"W L | LEFT- 80D- 14" W- SHORT |
| 1A,2C,3-6,7B,8 | 107713 | COMP STRT SHT EXT ASM 15"W L | LEFT- 80D- 15" W- SHORT |
| 1A,2D,3-6,7B,8 | 107714 | COMP STRT SHT EXT ASM 16"W L | LEFT- 80D- 16" W- SHORT |
| 1A,2E,3-6,7C,8 | 107715 | COMP STRT SHT EXT ASM 17"W L | LEFT- 80D- 17" W- SHORT |
| 1A,2F,3-6,7C,8 | 107716 | COMP STRT SHT EXT ASM 18"W L | LEFT- 80D- 18" W- SHORT |
| 1A,2G,3-6,7D,8 | 107717 | COMP STRT SHT EXT ASM 19 & 20"W L | LEFT- 80D- 19 & 20" W- SHORT |
| 1A,2H,3-6,7D,8 | 111523 | COMP STRT SHT EXT ASM 21 & 22"W L | LEFT- 80D- 21 & 22" W- SHORT |
| >>>> | | 80 DEGREE HANGERS - MED EXT - RIGHT | |
| 1B,2A,3-6,7A,8 | 107718 | COMP STRT MED EXT ASM 13"W R | Right- 80D- 13" W- MED |
| 1B,2B,3-6,7A,8 | 107719 | COMP STRT MED EXT ASM 14"W R | Right- 80D- 14" W- MED |
| 1B,2C,3-6,7B,8 | 107720 | COMP STRT MED EXT ASM 15"W R | Right- 80D- 15" W- MED |
| 1B,2D,3-6,7B,8 | 107721 | COMP STRT MED EXT ASM 16"W R | Right- 80D- 16" W- MED |
| 1B,2E,3-6,7C,8 | 107722 | COMP STRT MED EXT ASM 17"W R | Right- 80D- 17" W- MED |
| 1B,2F,3-6,7C,8 | 107723 | COMP STRT MED EXT ASM 18"W R | Right- 80D- 18" W- MED |
| 1B,2G,3-6,7D,8 | 107724 | COMP STRT MED EXT ASM 19 & 20"W R | Right- 80D- 19 & 20" W- MED |
| 1B,2H,3-6,7D,8 | 111524 | COMP STRT MED EXT ASM 21 & 22"W R | Right- 80D- 21 & 22" W- MED |
| >>>> | | 80 DEGREE HANGERS - MED EXT - LEFT | |
| 1B,2A,3-6,7A,8 | 107725 | COMP STRT MED EXT ASM 13"W L | LEFT- 80D- 13" W- MED |
| 1B,2B,3-6,7A,8 | 107726 | COMP STRT MED EXT ASM 14"W L | LEFT- 80D- 14" W- MED |
| 1B,2C,3-6,7B,8 | 107727 | COMP STRT MED EXT ASM 15"W L | LEFT- 80D- 15" W- MED |
| 1B,2D,3-6,7B,8 | 107728 | COMP STRT MED EXT ASM 16"W L | LEFT- 80D- 16" W- MED |
| 1B,2E,3-6,7C,8 | 107729 | COMP STRT MED EXT ASM 17"W L | LEFT- 80D- 17" W- MED |
| 1B,2F,3-6,7C,8 | 107730 | COMP STRT MED EXT ASM 18"W L | LEFT- 80D- 18" W- MED |
| 1B,2G,3-6,7D,8 | 107731 | COMP STRT MED EXT ASM 19 & 20"W L | LEFT- 80D- 19 & 20" W- MED |
| 1B,2H,3-6,7D,8 | 111525 | COMP STRT MED EXT ASM 21 & 22"W L | LEFT- 80D- 21 & 22" W- MED |
| >>>> | | 80 DEGREE HANGERS - LONG EXT - RIGHT | |
| 1C,2A,3-6,7A,8 | 107732 | COMP STRT LONG EXT ASM 13"W R | Right- 80D- 13" W- LONG |
| 1C,2B,3-6,7A,8 | 107733 | COMP STRT LONG EXT ASM 14"W R | Right- 80D- 14" W- LONG |
| 1C,2C,3-6,7B,8 | 107734 | COMP STRT LONG EXT ASM 15"W R | Right- 80D- 15" W- LONG |
| 1C,2D,3-6,7B,8 | 107735 | COMP STRT LONG EXT ASM 16"W R | Right- 80D- 16" W- LONG |
| 1C,2E,3-6,7C,8 | 107736 | COMP STRT LONG EXT ASM 17"W R | Right- 80D- 17" W- LONG |
| 1C,2F,3-6,7C,8 | 107737 | COMP STRT LONG EXT ASM 18"W R | Right- 80D- 18" W- LONG |
| 1C,2G,3-6,7D,8 | 107738 | COMP STRT LONG EXT ASM 19 & 20"W R | Right- 80D- 19 & 20" W- LONG |
| 1C,2H,3-6,7D,8 | 111526 | COMP STRT LONG EXT ASM 21 & 22"W R | Right- 80D- 21 & 22" W- LONG |
| >>>> | | 80 DEGREE HANGERS - LONG EXT - LEFT | |
| 1C,2A,3-6,7A,8 | 107739 | COMP STRT LONG EXT ASM 13"W L | LEFT- 80D- 13" W- LONG |
| 1C,2B,3-6,7A,8 | 107740 | COMP STRT LONG EXT ASM 14"W L | LEFT- 80D- 14" W- LONG |
| 1C,2C,3-6,7B,8 | 107741 | COMP STRT LONG EXT ASM 15"W L | LEFT- 80D- 15" W- LONG |
| 1C,2D,3-6,7B,8 | 107742 | COMP STRT LONG EXT ASM 16"W L | LEFT- 80D- 16" W- LONG |
| 1C,2E,3-6,7C,8 | 107743 | COMP STRT LONG EXT ASM 17"W L | LEFT- 80D- 17" W- LONG |
| 1C,2F,3-6,7C,8 | 107744 | COMP STRT LONG EXT ASM 18"W L | LEFT- 80D- 18" W- LONG |
| 1C,2G,3-6,7D,8 | 107745 | COMP STRT LONG EXT ASM 19 & 20"W L | LEFT- 80D- 19 & 20" W- LONG |
| 1C,2H,3-6,7D,8 | 111527 | COMP STRT LONG EXT ASM 21 & 22"W L | LEFT- 80D- 21 & 22" W- LONG |

To request assembly of parts being ordered as a kit, please add "ASSY-HNG-FP" after ELR or ALR & Calf Pad parts are selected

ADD INSET FORMULA
 0" Inset (Seat Width) = Footrest Width
 1" Inset (Seat Width) -2" = Footrest Width
 2" Inset (Seat Width) -4" = Footrest Width
 "V" Hanger (Seat Width) -4" = Footrest Width
 Offset Hanger Receiver (Seat Width) +2" = Footrest Width
 Flared Frame (Seat Width) = 2" = Footrest Width



MEASURING GUIDE

| | PART NUMBER | "A" |
|-------|-------------|---------|
| SHORT | 107126 | 8 1/4" |
| MED | 107127 | 10 1/4" |
| LONG | 107128 | 12 1/4" |

MEASURING GUIDE

| P/N | DESCRIPTION | "A" | "B" |
|--------|----------------------|-----|-----|
| 882337 | FOOTPLATE ELR 14-15" | 6" | 6" |
| 882338 | FOOTPLATE ELR 16-17" | 7" | 6" |
| 882339 | FOOTPLATE ELR 18-20" | 8" | 6" |

| Pos. | Item Number | Description | Remarks |
|----------|-------------|--------------------------------|------------------------------------------------------|
| 1 | 226090 | 1/4-28 x 5/8 BH C/S | |
| 2 | 118093 | BRACKET FOOTPLATE ALUM | |
| 3 | 102262-008 | BHCS M6 X 1 X 50 INORGANIC | |
| 4 | 281043 | #4 x 5/8 PAN PHIL S/TAP | |
| 5 | 560101 | END CAPS FOOTREST | |
| 7 | 107126 | SHORT BENT | |
| 7 | 107127 | MED BENT | |
| 7 | 107128 | LONG BENT | |
| 7 | 128078 | TUBE FOOTREST EXT SHT HEMI | Use for Hemi Extension option |
| 8 | 106935 | 1/4-28 NYLOCK NUT THIN | |
| 9 | 561003 | 3/4" SADDLE THIN | |
| 10 | 132626 | NUT AUTOMATION M6 X 1.0 | |
| 11 | 107383 | WASHER FLAT M6 ROHS | |
| 4,5,6A | 882337 | ELR FOOTPLATE ASSEMBLY 14 -15" | |
| 4,5,6B | 882338 | ELR FOOTPLATE ASSEMBLY 16 -17" | |
| 4,5,6C | 882339 | ELR FOOTPLATE ASSEMBLY 18 -20" | |
| 12-14 | 119495 | EXTENSION CLAMP KIT | |
| 1,3,8-11 | 129775 | ALU FOOTPLATE HDWARE KIT | Ext tube not included; bracket (118093) not included |
| | | Ship assembled part # | Use with multiple assemblies |

| Pos. | Item Number | Description | Remarks |
|-------------|--------------------|--------------------------------|---------------------------------|
| | ASSY-HNG-FP | HANGER/FOOTPLATE ASSY REQUIRED | add with Hanger & Footplate kit |

Note: Footplate Assemblies are set to footrest width; please see "Footplate Formula" table for seat width conversion.

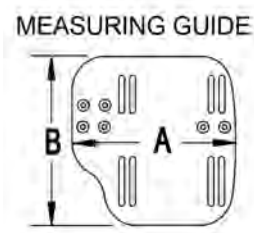
Note: V Style Hangers are not available on Swing Away Style chairs effective 7/14/14; see the "Prior To" ordering guide for V Style footplate assemblies.

Note: for QX Series or SR45 footplate replacement parts see the ordering guide marked specifically for these two models in the informations panel.

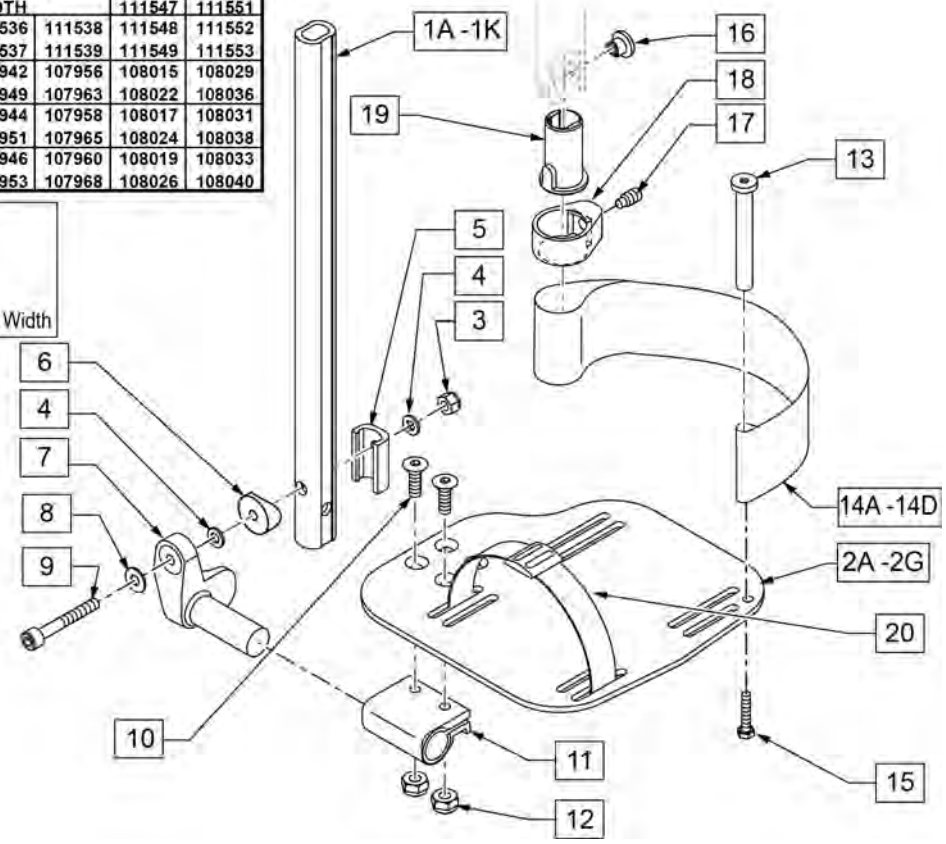
| Adult Angle Adjustable "AAA" Footplates w/ Ext & HL for Swing I/O Hangers | | | | | | | | | |
|---------------------------------------------------------------------------|----------------------------------------------------|--------|--------|---------------------------------------|--------|--------|---------------------|--------|--|
| (Order 1 each) | | | | | | | | | |
| Ext. Tube | 60°, 70° & 70° Hemi Style Hangers (Bent Extension) | | | 80° Style hanger (Straight Extension) | | | 70° V Style Hangers | | |
| | Short | Med | Long | Short | Med | Long | Med | Long | |
| 10"-11" Rt | NOT AVAILABLE IN THIS WIDTH | | | NOT AVAILABLE IN THIS WIDTH | | | 111546 | 111550 | |
| 10"-11" Lt | NOT AVAILABLE IN THIS WIDTH | | | NOT AVAILABLE IN THIS WIDTH | | | 111547 | 111551 | |
| 12-13" Rt | 111540 | 111542 | 111544 | 111534 | 111536 | 111538 | 111548 | 111552 | |
| 12-13" Lt | 111541 | 111543 | 111545 | 111535 | 111537 | 111539 | 111549 | 111553 | |
| 14"-15" Rt | 107973 | 107987 | 108001 | 107928 | 107942 | 107956 | 108015 | 108029 | |
| 14"-15" Lt | 107980 | 107994 | 108008 | 107935 | 107949 | 107963 | 108022 | 108036 | |
| 16"-17" Rt | 107975 | 107989 | 108003 | 107930 | 107944 | 107958 | 108017 | 108031 | |
| 16"-17" Lt | 107982 | 107996 | 108010 | 107937 | 107951 | 107965 | 108024 | 108038 | |
| 18"-22" Rt | 107977 | 107991 | 108005 | 107932 | 107946 | 107960 | 108019 | 108033 | |
| 18"-22" Lt | 107984 | 107998 | 108012 | 107939 | 107953 | 107968 | 108026 | 108040 | |

To have complete Footrest ship assembled, choose compatible Hanger + Footplate part numbers and add "ASSY-HNG-FP" to order

INSET FORMULA
 0" Inset (Seat Width) = Footrest Width
 1" Inset (Seat Width) - 2" = Footrest Width
 "V" Hanger (Seat Width) - 4" = Footrest Width
 Offset Hanger Receiver (Seat Width) + 2" = Footrest Width



| CHAIR WIDTH | "A" | "B" |
|-------------|--------|--------|
| 10" - 11" | 3 1/2" | 7 1/4" |
| 12" - 13" | 4 1/2" | 7 3/4" |
| 14" - 15" | 5 1/2" | 7 3/4" |
| 16" - 17" | 6 1/2" | 7 3/4" |
| 18" - 20" | 7 1/2" | 7 3/4" |



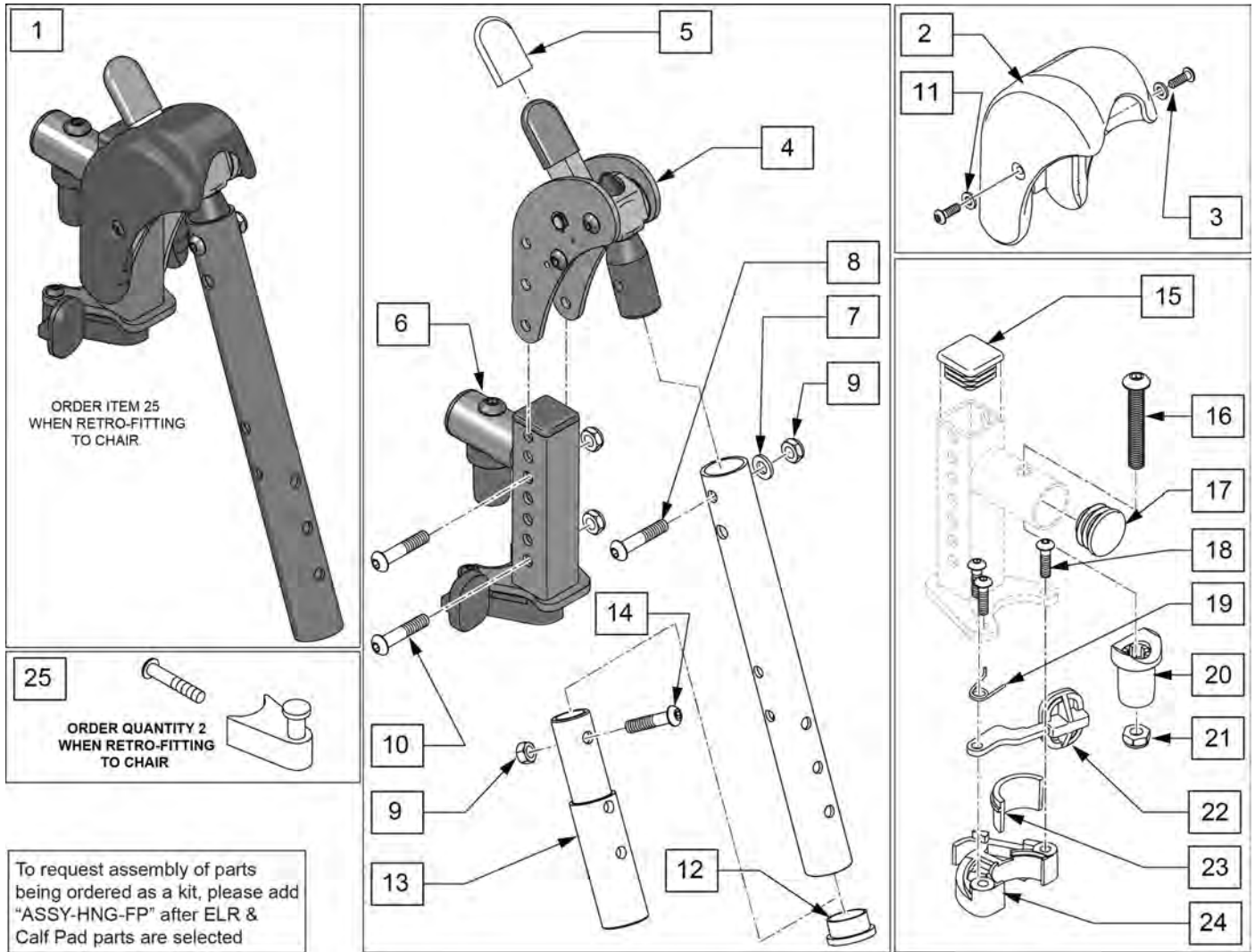
| Pos. | Item Number | Description | Remarks |
|------------|-------------|-----------------------|-----------------------|
| 1A,3-6,8,9 | 120670 | SHT STRT EXT AAA HDWR | 80 deg Hangers Only |
| 1B,3-6,8,9 | 120671 | MED STRT EXT AAA HDWR | 80 deg Hangers Only |
| 1C,3-6,8,9 | 120672 | LNG STRT EXT AAA HDWR | 80 deg Hangers Only |
| 1D,3-6,8,9 | 120673 | SHT BNT EXT AAA HDWR | 60,70,70 Hemi Hangers |
| 1E,3-6,8,9 | 120674 | MED BNT EXT AAA HDWR | 60,70,70 Hemi Hangers |
| 1F,3-6,8,9 | 120675 | LNG BNT EXT AAA HDWR | 60,70,70 Hemi Hangers |

| Pos. | Item Number | Description | Remarks |
|----------------|-------------|-------------------------------------|-------------------------------|
| 1G,3-6,8,9 | 120676 | SHT V EXT R AAA HDWR | Left - 70 deg V Hangers Only |
| 1H,3-6,8,9 | 120677 | SHT V EXT L AAA HDWR | Right - 70 deg V Hangers Only |
| 1I,3-6,8,9 | 120678 | LNG V EXT R AAA HDWR | Left - 70 deg V Hangers Only |
| 1J,3-6,8,9 | 120679 | LNG V EXT L AAA HDWR | Right - 70 deg V Hangers Only |
| 2A | 500656 | ADULT ANG ADJ F/PLT 10/11" R | RIGHT 10-11" Footrest Width |
| 2A | 500657 | ADULT ANG ADJ F/PLT 10/11" L | LEFT 10-11" Footrest Width |
| 2B | 500658 | ADULT ANG ADJ F/PLT 12/13" R | RIGHT 12-13" Footrest Width |
| 2B | 500659 | ADULT ANG ADJ F/PLT 12/13" L | LEFT 12-13" Footrest Width |
| 2C | 500660 | ADLT ANGL ADJ F/PLT 14/15 | RIGHT 14-15" Footrest Width |
| 2C | 500661 | ADLT ANGL ADJ F/PLT 14/15 | LEFT 14-15" Footrest Width |
| 2D | 500662 | ADLT ANGL ADJ F/PLT 16/17 | RIGHT 16-17" Footrest Width |
| 2D | 500663 | ADLT ANGL ADJ F/PLT 16/17 | LEFT 16-17" Footrest Width |
| 2E | 500664 | ADLT ANGL ADJ F/PLT 18-20 | RIGHT 18-22" Footrest Width |
| 2E | 500665 | ADLT ANGL ADJ F/PLT 18-20 | LEFT 18-22" Footrest Width |
| 3 | 132626 | NUT AUTOMATION M6 X 1.0 | |
| 4 | 106944 | WASHER FLAT THIN AN 1/4 ROHS | |
| 5 | 107199 | HANGER EXTENSION SADDLE | |
| 6 | 104377 | 3/4" SADDLE THIN | |
| 7 | 541002 | FTRST MOUNTING BRKT-3/8 RAD R | RIGHT |
| 7 | 541003 | FTRST MOUNTING BRKT-3/8 RAD L | LEFT |
| 8 | 106945 | WASHER FLAT SAE 1/4 ROHS | |
| 9 | 104399 | SHCS M6X1X45 12 MM PART THD | |
| 10 | 106978 | FHCS 1/4-28 X 7/8 ROHS | |
| 11 | 550350 | 3/4" CLMP ADJ FT PLT | |
| 12 | 106935 | NUT NYLOCK THIN 1/4-28 ROHS | |
| 13 | 104328 | POST HEEL LOOP | |
| 14A | 104380-001 | ADJUSTABLE FOOT REST STRAP | 12 - 14" WIDE |
| 14B | 104380-002 | ADJUSTABLE FOOT REST STRAP | 15 - 16" WIDE |
| 14C | 104380-003 | ADJUSTABLE FOOT REST STRAP | 17 - 18" WIDE |
| 14D | 104380-004 | ADJUSTABLE FOOT REST STRAP | 19 - 20" WIDE |
| 15 | 102268-001 | HHCS M6 X 1 X 25 | |
| 3-6,8,9 | 120659 | EXT MNT HARDWARE 1 SIDE | |
| 16-19 | 107485 | FOOTREST CLAMP ASSM | |
| 20 | 740260 | TOE-ANKLE STRAP ADJ ADULT FOOTPLATE | |
| >>>> | | 80° HANGERS - SHORT EXT - RIGHT | |
| 1A,2B,3-14A,15 | 111534 | AAA STRT SHT EXT ASM 12-13" W R | Right- 80D- 12-13" W- SHORT |
| 1A,2C,3-14B,15 | 107928 | AAA STRT SHT EXT ASM 14-15" W R | Right- 80D- 14-15" W- SHORT |
| 1A,2D,3-14C,15 | 107930 | AAA STRT SHT EXT ASM 16-17" W R | Right- 80D- 16-17" W- SHORT |
| 1A,2E,3-14D,15 | 107932 | AAA STRT SHT EXT ASM 18-22" W R | Right- 80D- 18-22" W- SHORT |
| >>>> | | 80° HANGERS - SHORT EXT - LEFT | |
| 1A,2B,3-14A,15 | 111535 | AAA STRT SHT EXT ASM 12-13" W L | Left- 80D- 12-13" W- SHORT |
| 1A,2C,3-14B,15 | 107935 | AAA STRT SHT EXT ASM 14" W L | Left- 80D- 14-15" W- SHORT |
| 1A,2D,3-14C,15 | 107937 | AAA STRT SHT EXT ASM 16" W L | Left- 80D- 16-17" W- SHORT |
| 1A,2E,3-14D,15 | 107939 | AAA STRT SHT EXT ASM 18" W L | Left- 80D- 18-22" W- SHORT |
| >>>> | | 80° HANGERS - MED EXT - RIGHT | |
| 1B,2B,3-14A,15 | 111536 | AAA STRT MED EXT ASM 12-13" W R | Right- 80D- 12-13" W- MED |
| 1B,2C,3-14B,15 | 107942 | AAA STRT MED EXT ASM 14-15" W R | Right- 80D- 14-15" W- MED |
| 1B,2D,3-14C,15 | 107944 | AAA STRT MED EXT ASM 16-17" W R | Right- 80D- 16-17" W- MED |
| 1B,2E,3-14D,15 | 107946 | AAA STRT MED EXT ASM 18-22" W R | Right- 80D- 18-22" W- MED |
| >>>> | | 80° HANGERS - MED EXT - LEFT | |
| 1B,2B,3-14A,15 | 111537 | AAA STRT MED EXT ASM 12-13" W L | Left- 80D- 12-13" W- MED |
| 1B,2C,3-14B,15 | 107949 | AAA STRT MED EXT ASM 14" W L | Left- 80D- 14-15" W- MED |
| 1B,2D,3-14C,15 | 107951 | AAA STRT MED EXT ASM 16" W L | Left- 80D- 16-17" W- MED |
| 1B,2E,3-14D,15 | 107953 | AAA STRT MED EXT ASM 18" W L | Left- 80D- 18-22" W- MED |
| >>>> | | 80° HANGERS - LONG EXT - RIGHT | |
| 1C,2B,3-14A,15 | 111538 | AAA STRT LNG EXT ASM 12-13" W R | Right- 80D- 12-13" W- LONG |
| 1C,2C,3-14B,15 | 107956 | AAA STRT LNG EXT ASM 14 - 15" W R | Right- 80D- 14-15" W- LONG |

| Pos. | Item Number | Description | Remarks |
|----------------|-------------|------------------------------------|-------------------------------------------|
| 1C,2D,3-14C,15 | 107958 | AAA STRT LNG EXT ASM 16 -17" W R | Right- 80D- 16-17" W- LONG |
| 1C,2E,3-14D,15 | 107960 | AAA STRT LNG EXT ASM 18 -22" W R | Right- 80D- 18-22" W- LONG |
| >>>> | | 80° HANGERS - LONG EXT - LEFT | |
| 1C,2B,3-14A,15 | 111539 | AAA STRT LNG EXT ASM 12-13" W L | Left- 80D- 12-13" W- LONG |
| 1C,2C,3-14B,15 | 107963 | AAA STRT LNG EXT ASM 14W L | Left- 80D- 14-15" W- LONG |
| 1C,2D,3-14C,15 | 107965 | AAA STRT LNG EXT ASM 16W L | Left- 80D- 16-17" W- LONG |
| 1C,2E,3-14D,15 | 107968 | AAA STRT LNG EXT ASM 18W L | Left- 80D- 18-22" W- LONG |
| >>>> | | 70° HANGERS - SHORT EXT - RIGHT | |
| 1D,2B,3-14A,15 | 111540 | AAA BNT SHT EXT ASM 12-13" W R | Right- 60D,70D,70D HEMI - 12-13" W- SHORT |
| 1D,2C,3-14B,15 | 107973 | AAA BNT SHT EXT ASM 14 -15" W R | Right- 60D,70D,70D HEMI - 14-15" W- SHORT |
| 1D,2D,3-14C,15 | 107975 | AAA BNT SHT EXT ASM 16 -17" W R | Right- 60D,70D,70D HEMI - 16-17" W- SHORT |
| 1D,2E,3-14D,15 | 107977 | AAA BNT SHT EXT ASM 18 -22" W R | Right- 60D,70D,70D HEMI - 18-22" W- SHORT |
| >>>> | | 70° HANGERS - SHORT EXT - LEFT | |
| 1D,2B,3-14A,15 | 111541 | AAA BNT SHT EXT ASM 12-13" W L | Left- 60D,70D,70D HEMI - 12-13" W- SHORT |
| 1D,2C,3-14B,15 | 107980 | AAA BNT SHT EXT ASM 14 -15" W L | Left- 60D,70D,70D HEMI - 14-15" W- SHORT |
| 1D,2D,3-14C,15 | 107982 | AAA BNT SHT EXT ASM 16 -17" W L | Left- 60D,70D,70D HEMI - 16-17" W- SHORT |
| 1D,2E,3-14D,15 | 107984 | AAA BNT SHT EXT ASM 18 -22" W L | Left- 60D,70D,70D HEMI - 18-22" W- SHORT |
| >>>> | | 70° HANGERS - MED EXT - RIGHT | |
| 1E,2B,3-14A,15 | 111542 | AAA BNT MED EXT ASM 12-13" W R | Right- 60D,70D,70D HEMI - 12-13" W- MED |
| 1E,2C,3-14B,15 | 107987 | AAA BNT MED EXT ASM 14 -15" W R | Right- 60D,70D,70D HEMI - 14-15" W- MED |
| 1E,2D,3-14C,15 | 107989 | AAA BNT MED EXT ASM 16 -17" W R | Right- 60D,70D,70D HEMI - 16-17" W- MED |
| 1E,2E,3-14D,15 | 107991 | AAA BNT MED EXT ASM 18 -22" W R | Right- 60D,70D,70D HEMI - 18-22" W- MED |
| >>>> | | 70° HANGERS - MED EXT - LEFT | |
| 1E,2B,3-14A,15 | 111543 | AAA BNT MED EXT ASM 12-13" W L | Left- 60D,70D,70D HEMI - 12-13" W- MED |
| 1E,2C,3-14B,15 | 107994 | AAA BNT MED EXT ASM 14 -15" W L | Left- 60D,70D,70D HEMI - 14-15" W- MED |
| 1E,2D,3-14C,15 | 107996 | AAA BNT MED EXT ASM 16 -17" W L | Left- 60D,70D,70D HEMI - 16-17" W- MED |
| 1E,2E,3-14D,15 | 107998 | AAA BNT MED EXT ASM 18 -22" W L | Left- 60D,70D,70D HEMI - 18-22" W- MED |
| >>>> | | 70° HANGERS - LONG EXT - RIGHT | |
| 1F,2B,3-14A,15 | 111544 | AAA BNT LONG EXT ASM 12-13" W R | Right- 60D,70D,70D HEMI - 12-13" W- LONG |
| 1F,2C,3-14B,15 | 108001 | AAA BNT LONG EXT ASM 14 -15" W R | Right- 60D,70D,70D HEMI - 14-15" W- LONG |
| 1F,2D,3-14C,15 | 108003 | AAA BNT LONG EXT ASM 16 -17" W R | Right- 60D,70D,70D HEMI - 16-17" W- LONG |
| 1F,2E,3-14D,15 | 108005 | AAA BNT LONG EXT ASM 18 -22" W R | Right- 60D,70D,70D HEMI - 18-22" W- LONG |
| >>>> | | 70° HANGERS - LONG EXT - LEFT | |
| 1F,2B,3-14A,15 | 111545 | AAA BNT LONG EXT ASM 12-13" W L | Left- 60D,70D,70D HEMI - 12-13" W- LONG |
| 1F,2C,3-14B,15 | 108008 | AAA BNT LONG EXT ASM 14 -15" W L | Left- 60D,70D,70D HEMI - 14-15" W- LONG |
| 1F,2D,3-14C,15 | 108010 | AAA BNT LONG EXT ASM 16 -17" W L | Left- 60D,70D,70D HEMI - 16-17" W- LONG |
| 1F,2E,3-14D,15 | 108012 | AAA BNT LONG EXT ASM 18 -22" W L | Left- 60D,70D,70D HEMI - 18-22" W- LONG |
| >>>> | | 70° "V" HANGERS - MED EXT - RIGHT | |
| 1G,2A,3-15 | 111546 | AAA V MED EXT ASM 10-11" W R | Right- 70D V hangers only 10-11" W- MED |
| 1G,2B,3-15 | 111548 | AAA V MED EXT ASM 12-13" W R | Right- 70D V hangers only 12-13" W- MED |
| 1G,2C,3-15 | 108015 | AAA V MED EXT ASM 14 -15" W R | Right- 70D V hangers only 14-15" W- MED |
| 1G,2D,3-15 | 108017 | AAA V MED EXT ASM 16 -17" W R | Right- 70D V hangers only 16-18" W- MED |
| 1G,2E,3-15 | 108019 | AAA V MED EXT ASM 18 -18" W R | Right- 70D V hangers only 18-22" W- MED |
| >>>> | | 70° "V" HANGERS - MED EXT - LEFT | |
| 1G,2A,3-15 | 111547 | AAA V MED EXT ASM 10-11" W L | Left- 70D V hangers only 10-11" W- MED |
| 1G,2B,3-15 | 111549 | AAA V MED EXT ASM 12-13" W L | Left- 70D V hangers only 12-13" W- MED |
| 1G,2C,3-15 | 108022 | AAA V MED EXT ASM 14 -15"W L | Left- 70D V hangers only 14-15" W- MED |
| 1G,2D,3-15 | 108024 | AAA V MED EXT ASM 16 -17" W L | Left- 70D V hangers only 16-18" W- MED |
| 1G,2E,3-15 | 108026 | AAA V MED EXT ASM 18 -22: W L | Left- 70D V hangers only 18-22" W- MED |
| >>>> | | 70° "V" HANGERS - LONG EXT - RIGHT | |
| 1H,2A,3-15 | 111550 | AAA V LONG EXT ASM 10-11" W R | Right- 70D V hangers only 10-11" W- LONG |
| 1H,2B,3-15 | 111552 | AAA V LONG EXT ASM 12-13" W R | Right- 70D V hangers only 12-13" W- LONG |
| 1H,2C,3-15 | 108029 | AAA V LONG EXT ASM 14 -15" W R | Right- 70D V hangers only 14-15" W- LONG |
| 1H,2D,3-15 | 108031 | AAA V LONG EXT ASM 16 -17" W R | Right- 70D V hangers only 16-18" W- LONG |
| 1H,2E,3-15 | 108033 | AAA V LONG EXT ASM 18 -22: W R | Right- 70D V hangers only 18-22" W- LONG |
| >>>> | | 70° "V" HANGERS - LONG EXT - LEFT | |
| 1H,2A,3-15 | 111551 | AAA V LONG EXT ASM 10-11" W L | Left- 70D V hangers only 10-11" W- LONG |

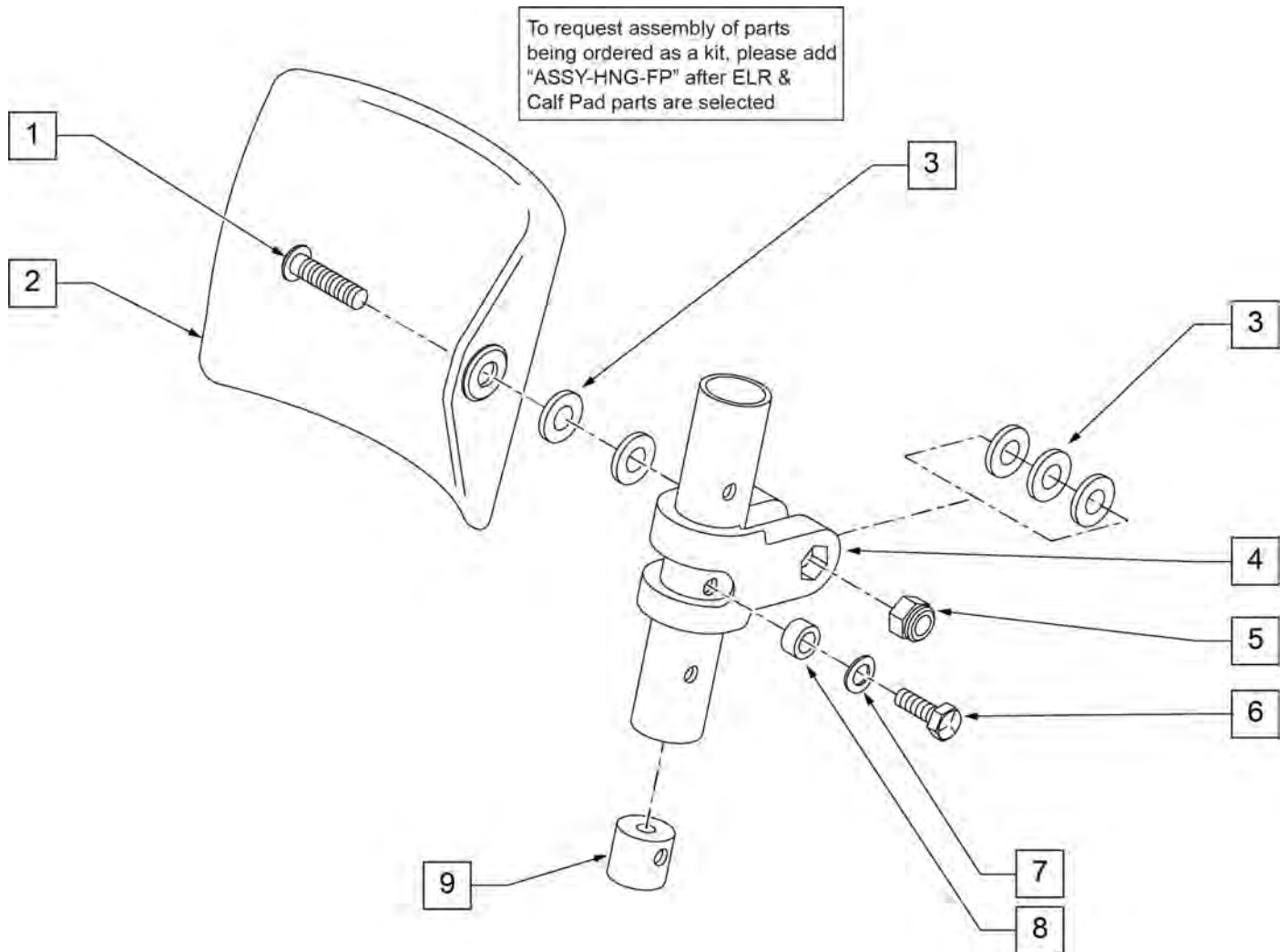
| Pos. | Item Number | Description | Remarks |
|-------------|--------------------|--------------------------------|-----------------------------------------|
| 1H,2B,3-15 | 111553 | AAA V LONG EXT ASM 12-13" W L | Left- 70D V hangers only 12-13" W- LONG |
| 1H,2C,3-15 | 108036 | AAA V LONG EXT ASM 14 -15" W L | Left- 70D V hangers only 14-15" W- LONG |
| 1H,2D,3-15 | 108038 | AAA V LONG EXT ASM 16 -17" W L | Left- 70D V hangers only 16-18" W- LONG |
| 1H,2E,3-15 | 108040 | AAA V LONG EXT ASM 18 -22" W L | Left- 70D V hangers only 18-22" W- LONG |
| | | Ship assembled part # | Use with multiple assemblies |
| | ASSY-HNG-FP | HANGER/FOOTPLATE ASSY REQUIRED | add with Hanger & Footplate kit |

Note: When retrofitting ELR to a chair with S/A Hangers please order Qty 2 of p/n 107491(Item 25).

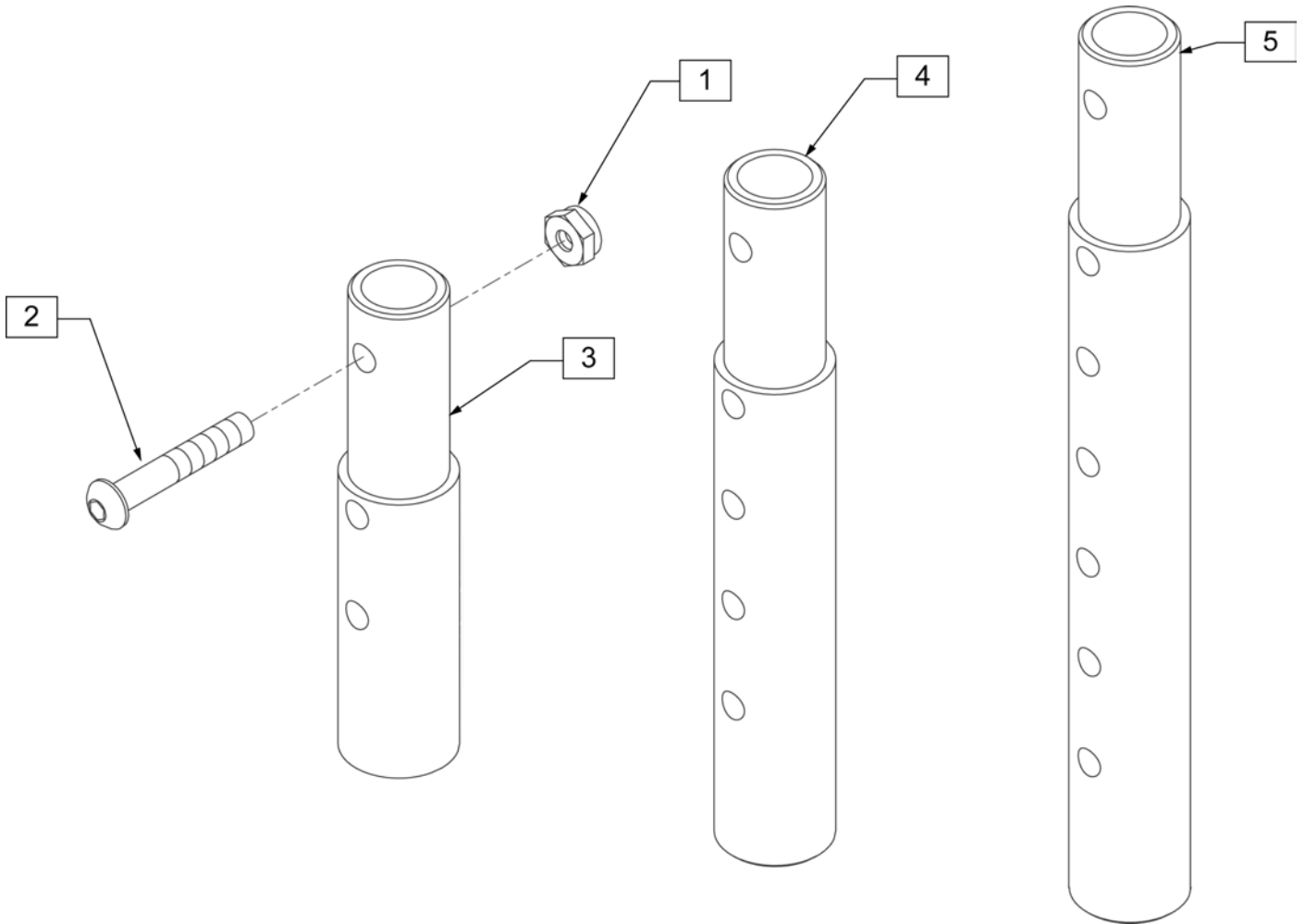


| Pos. | Item Number | Description | Remarks |
|--------|-------------|-------------------------------|-------------------------------------------------|
| 1 | 129635S | DIRECT MOUNT ELR KIT R | Right-order item 25 when retro-fitting to chair |
| 1 | 129636S | DIRECT MOUNT ELR KIT L | Left-order item 25 when retro-fitting to chair |
| 1 | 129634S | DIRECT MOUNT ELR PAIR KIT | Pair-order item 25 when retro-fitting to chair |
| 2,3,25 | 129640 | ELR SHROUD KIT | Kit w/ 2 screws |
| 3 | 127135 | BHCS 8-32 X 1/2 BLK | |
| 4 | 126992 | HEMI ELR SUB ASSM | |
| 5 | 560501 | ALR REL LEVER COVER | |
| 6 | 127114 | HEMI RECEIVER ASSM ELR ALR R | Right |
| 6 | 127115 | HEMI RECEIVER ASSM ELR ALR L | Left |
| 7 | 104414 | WAVE WASHER 6 MM | |
| 8 | 106961 | BHCS 1/4 -28 x 1 1/4 ROHS | |
| 9 | 106935 | 1/4-28 NYLOCK NUT THIN BLK ZN | |
| 10 | 108623 | BHCS 1/4-28 x 1-1/2 | |
| 11 | 113282 | WASHER FLAT AN #10 ROHS | |
| 12 | 561002 | 1" INSERT PLUG .083 | |

| Pos. | Item Number | Description | Remarks |
|-------------|-------------|---------------------------------|-----------------------------------------|
| 13 | 500150 | 2" FOOTREST EXT TUBE | |
| 14 | 106961 | 1/4-28 x 1 1/4 BH C/S | |
| 15 | 010615 | SQUARE END CAP CNTR LEG | |
| 17 | 561062 | 1" INSERT PLUG .065 RIBS | |
| 18 | 226057 | BHCS 10-24 X .725 PL | |
| 16,17,20,21 | 119518 | PIVOT SADDLE KIT | |
| 23,24 | 881500 | LATCH BLOCK ASSM R | Right |
| 23,24 | 881501 | LATCH BLOCK ASSM L | Left |
| 18,19,22-24 | 881521 | S/A LATCH KIT CASTING RIGHT | Right |
| 18,19,22-24 | 881522 | S/A LATCH KIT CASTING LEFT | Left |
| 25 | 107491 | LATCH STUD KIT | order qty 2 when retro-fitting to chair |
| | | Ship assembled part # | Use with multiple assemblies |
| | ASSY-HNG-FP | HANGER/FOOTPLATE ASSY REQUESTED | add with Hanger & Footplate kit |

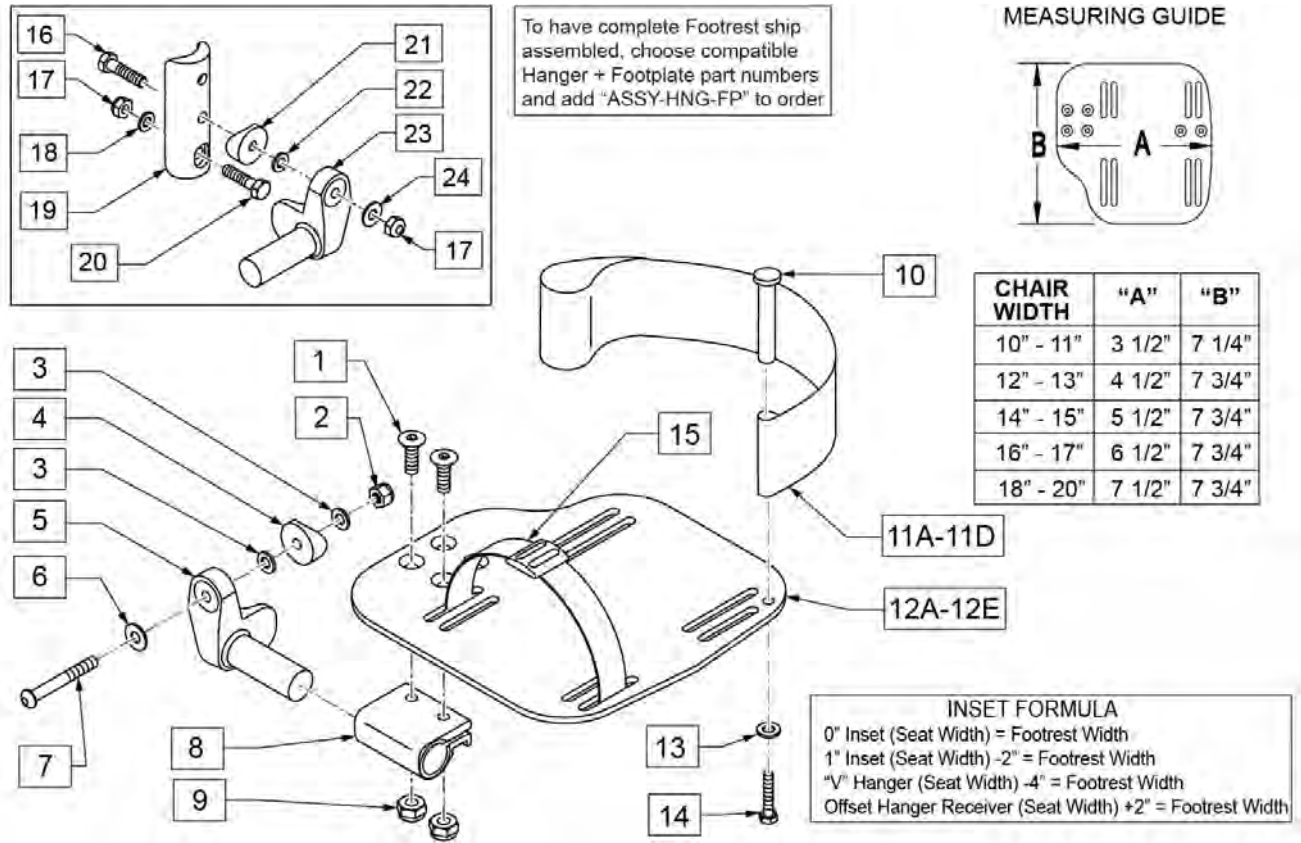


| Pos. | Item Number | Description | Remarks |
|------|-------------|--------------------------------|---------------------------------|
| 1 | 226217 | 5/16-18 x 2" BH C/S BLK | |
| 2 | 755013 | CALF PAD TROUGH STYLE KIDS | |
| 3 | 561016 | 1" WASHER 5/16" HOLE | |
| 4 | 561097 | ELR ELEVATING TUBE CLAMP | |
| 5 | 106937 | 5/16 -18 NYLOCK NUT THIN | |
| 6 | 106958 | HHCS 1/4-20 X 1 ROHS | |
| 7 | 262130 | 6mm WASHER WAVE | |
| 8 | 483027 | 1/4 x 1/4 ALUMINUM SPACER | |
| 9 | 500151 | KIDS ALR RETAINING PLUG | |
| 1-9 | 880533 | ELR TROUGH PAD ASSM KIDS | |
| | | Ship assembled part # | Use with multiple assemblies |
| | ASSY-HNG-FP | HANGER/FOOTPLATE ASSY REQUIRED | add with Hanger & Footplate kit |



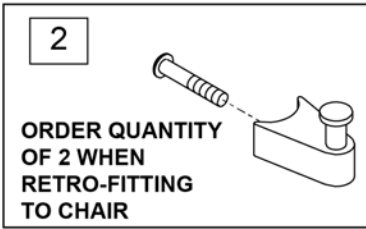
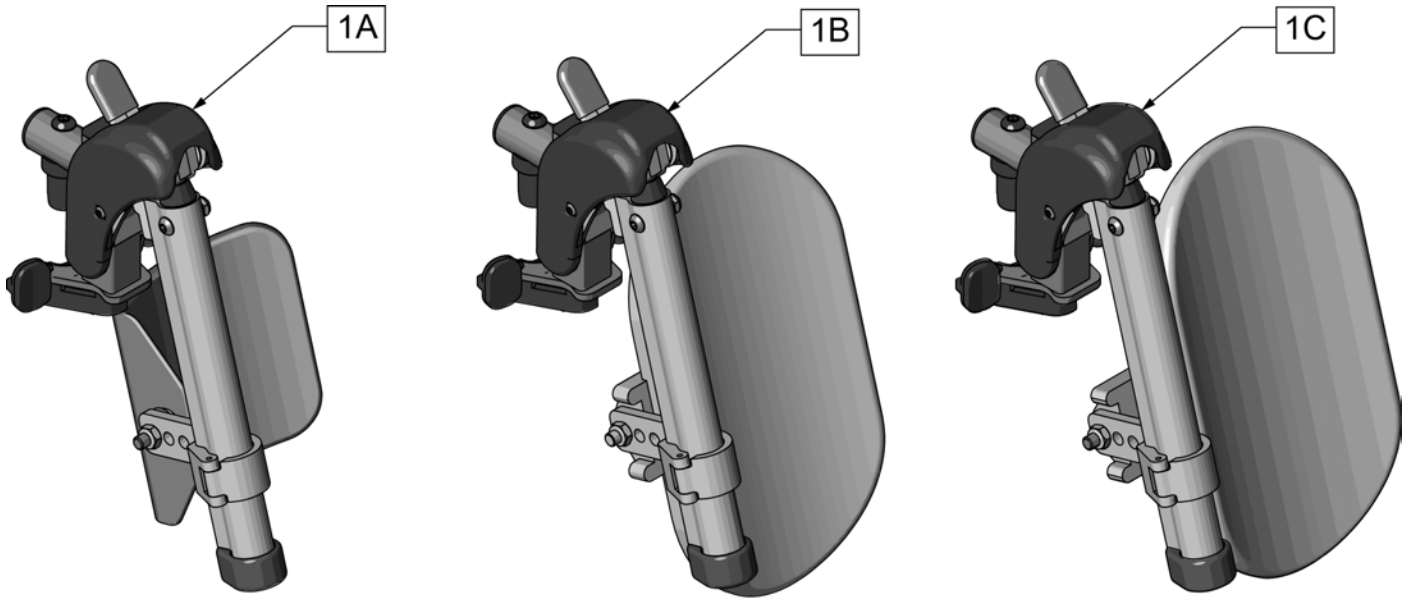
| Pos. | Item Number | Description | Remarks |
|---------|-------------|-----------------------------------------|---------------|
| 1 | 106935 | NUT NYLOCK THIN 1/4 -28 ROHS | |
| 2 | 106961 | BHCS 1/4 -28 x 1 1/4 ROHS | |
| 1-3 | 111505 | 2" FOOTREST EXTENSION TUBE W/ HDWR ASSM | 2" EXT (PAIR) |
| 1, 2, 4 | 111506 | 4" FOOTREST EXTENSION TUBE W/ HDWR ASSM | 4" EXT (PAIR) |
| 1, 2, 5 | 111507 | 6" FOOTREST EXTENSION TUBE W/ HDWR ASSM | 6" EXT (PAIR) |

Note: for QX Series or SR45 footplate replacement parts see the ordering guide marked specifically for these two models in the informations panel.



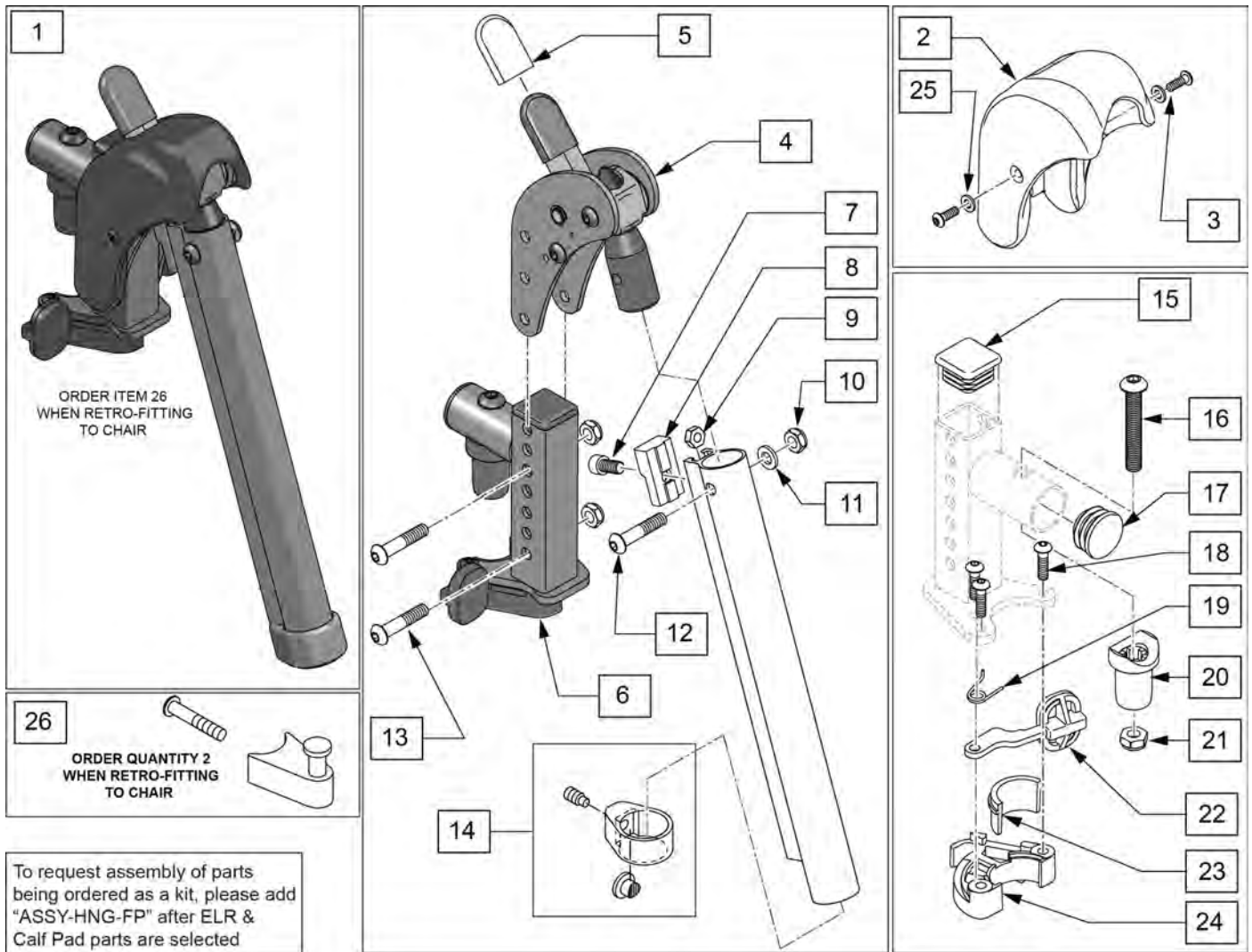
| Pos. | Item Number | Description | Remarks |
|------|-------------|--------------------------------|----------------------|
| 1 | 106978 | FHCS 1/4-28 X 7/8 | |
| 2 | 106934 | NUT NYLOCK 1/4-28 | |
| 3 | 106944 | WASHER FLAT THIN AN 1/4 | |
| 4 | 561004 | Q2 SADDLE | |
| 5 | 541000 | FTRST MOUNTING BRKT 1/2" RAD R | Right |
| 5 | 541001 | FTRST MOUNTING BRKT 1/2" RAD L | Left |
| 6 | 106945 | WASHER FLAT SAE 1/4 ROHS | |
| 7 | 106964 | BHCS 1/4-28 X 2 | |
| 8 | 550350 | 3/4 CLMP ADJ FT PLT | |
| 9 | 106935 | NUT NYLOCK THIN 1/4-28 ROHS | |
| 10 | 561040 | HEEL LOOP PEG | |
| 11A | 104380-001 | ADJ FOOTREST STRAP 14W | Used on 10"-13" wide |
| 11B | 104380-002 | ADJ FOOTREST STRAP 15-16W | Used on 14"-15" wide |
| 11C | 104380-003 | ADJ FOOTREST STRAP 17-18W | Used on 16"-17" wide |
| 11D | 104380-004 | ADJ FOOTREST STRAP 19-20W | Used on 18"-20" wide |
| 12A | 500656 | ADULT ANGL ADJ F/PLT 10/11 | Right; 10"-11" wide |
| 12A | 500657 | ADULT ANGL ADJ F/PLT 10/11 | Left; 10"-11" wide |

| Pos. | Item Number | Description | Remarks |
|----------------------|-------------|-------------------------------------|---------------------------------------------------------------|
| 12B | 500658 | ADULT ANGL ADJ F/PLT 12/13 | Right; 12"-13" wide |
| 12B | 500659 | ADULT ANGL ADJ F/PLT 12/13 | Left; 12"-13" wide |
| 12C | 500660 | ADULT ANGL ADJ F/PLT 14/15 | Right; 14"-15" wide |
| 12C | 500661 | ADULT ANGL ADJ F/PLT 14/15 | Left; 14"-15" wide |
| 12D | 500662 | ADULT ANGL ADJ F/PLT 16/17 | Right; 16"-17" wide |
| 12D | 500663 | ADULT ANGL ADJ F/PLT 16/17 | Left; 16"-17" wide |
| 12E | 500664 | ADULT ANGL ADJ F/PLT 18-20 | Right; 18"-22" wide |
| 12E | 500665 | ADULT ANGL ADJ F/PLT 18-20 | Left; 18"-22" wide |
| 13 | 107383 | WASHER FLAT M6 ROHS | |
| 14 | 102268-001 | HHCS M6 X 1 X 25 | |
| 15 | 740260 | TOE-ANKLE STRAP ADJ ADULT FOOTPLATE | |
| 16 | 102268-001 | HHCS M6 X 1 X 25 | |
| 17 | 132626 | NUT AUTOMATION M6 X 1 | |
| 18 | 107383 | WASHER FLAT M6 ROHS | |
| 20 | 118198 | HHCS M6X1X40 PART NP | |
| 21 | 561004 | Q2 SADDLE | |
| 22 | 106943 | WASHER FLAT AN 1/4 ROHS | |
| 24 | 106945 | WASHER FLAT SAE 1/4 ROHS | |
| 16-24 | 129764 | AAA FRNT MNT ADAPTER KIT PR | Pair; fits both Kids & Adult Angle Adj Footplates |
| 1,8-10,11A,12A,13,14 | 129765 | AAA F/PLT KIT 10-11 RT | Right; used w/ 129764 on Plunger-Style Swing In/Out Hangers |
| 1,8-10,11A,12A,13,14 | 129766 | AAA F/PLT KIT 10-11 LFT | Left; used w/ 129764 on Plunger-Style Swing In/Out Hangers |
| 1,8-10,11A,12B,13,14 | 129767 | AAA F/PLT KIT 12-13 RT | Right; used w/ 129764 on Plunger-Style Swing In/Out Hangers |
| 1,8-10,11A,12B,13,14 | 129768 | AAA F/PLT KIT 12-13 LFT | Left; used w/ 129764 on Plunger-Style Swing In/Out Hangers |
| 1,8-10,11B,12C,13,14 | 129769 | AAA F/PLT KIT 14-15 RT | Right; used w/ 129764 on Plunger-Style Swing In/Out Hangers |
| 1,8-10,11B,12C,13,14 | 129770 | AAA F/PLT KIT 14-15 LFT | Left; used w/ 129764 on Plunger-Style Swing In/Out Hangers |
| 1,8-10,11C,12D,13,14 | 129771 | AAA F/PLT KIT 16-17 RT | Right; used w/ 129764 on Plunger-Style Swing In/Out Hangers |
| 1,8-10,11C,12D,13,14 | 129772 | AAA F/PLT KIT 16-17 LFT | Left; used w/ 129764 on Plunger-Style Swing In/Out Hangers |
| 1,8-10,11D,12E,13,14 | 129773 | AAA F/PLT KIT 18-20 RT | Right; used w/ 129764 on Plunger-Style Swing In/Out Hangers |
| 1,8-10,11D,12E,13,14 | 129774 | AAA F/PLT KIT 18-20 LFT | Left; used w/ 129764 on Plunger-Style Swing In/Out Hangers |
| 1-10,11A,12B | 111514 | AAA FTPLT 90D 12/13" R | Right; used w/ Old-Style Latch Block Swing In/Out & S/A Hngrs |
| 1-10,11A,12B | 111515 | AAA FTPLT 90D 12/13" L | Left; used w/ Old-Style Latch Block Swing IO & S/A Hngrs |
| 1-10,11B,12C | 111516 | AAA FTPLT 90D 14/15" R | Right; used w/ Old-Style Latch Block Swing In/Out & S/A Hngrs |
| 1-10,11B,12C | 111517 | AAA FTPLT 90D 14/15" L | Left; used w/ Old-Style Latch Block Swing IO & S/A Hngrs |
| 1-10,11C,12D | 111518 | AAA FTPLT 90D 16/17" R | Right; used w/ Old-Style Latch Block Swing In/Out & S/A Hngrs |
| 1-10,11C,12D | 111519 | AAA FTPLT 90D 16/17" L | Left; used w/ Old-Style Latch Block Swing IO & S/A Hngrs |
| 1-10,11D,12E | 111520 | AAA FTPLT 90D 18/20" R | Right; used w/ Old-Style Latch Block Swing In/Out & S/A Hngrs |
| 1-10,11D,12E | 111521 | AAA FTPLT 90D 18/20" L | Left; used w/ Old-Style Latch Block Swing IO & S/A Hngrs |
| | | Ship assembled part # | Use with multiple assemblies |
| | ASSY-HNG-FP | HANGER/FOOTPLATE ASSY REQUIRED | add with Hanger & Footplate kit |



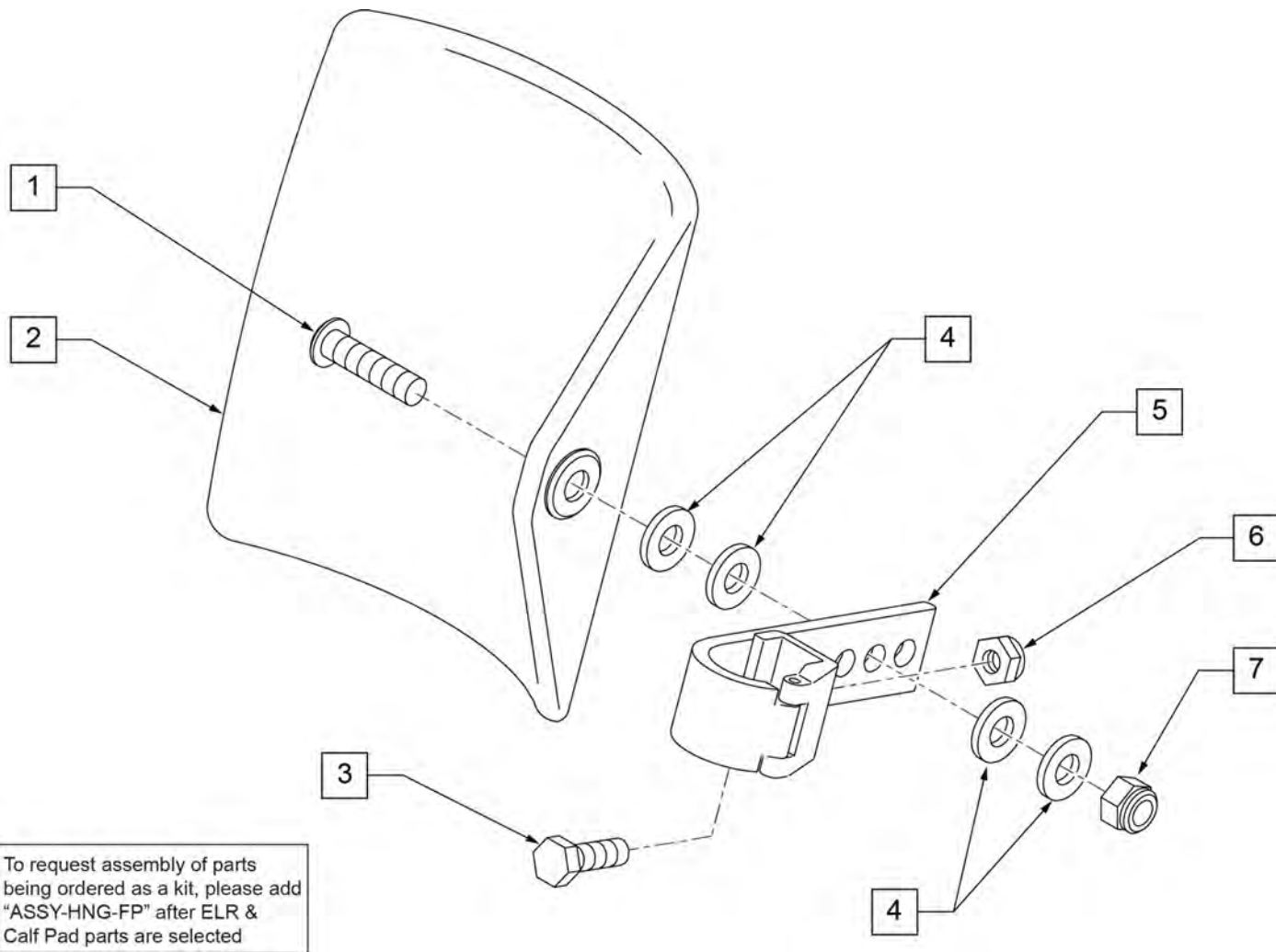
| Pos. | Item Number | Description | Remarks |
|------|-------------|--------------------------------|-----------------------------------------|
| 1A | 131774S | HEMI ELR HNGR ASM 14-15 W/PAD | |
| 1B | 131775S | HEMI ELR HNGR ASM 16-17 W/PAD | |
| 1C | 131776S | HEMI ELR HNGR ASM 18-20 W/PAD | |
| 2 | 107491 | LATCH STUD KIT | order qty 2 when retro-fitting to chair |
| | | Ship assembled part # | Use with multiple assemblies |
| | ASSY-HNG-FP | HANGER/FOOTPLATE ASSY REQUIRED | add with Hanger & Footplate kit |

Note: When retrofitting existing chair with S/A Legrests please order Qty 2 of p/n 107491.(Item 26)

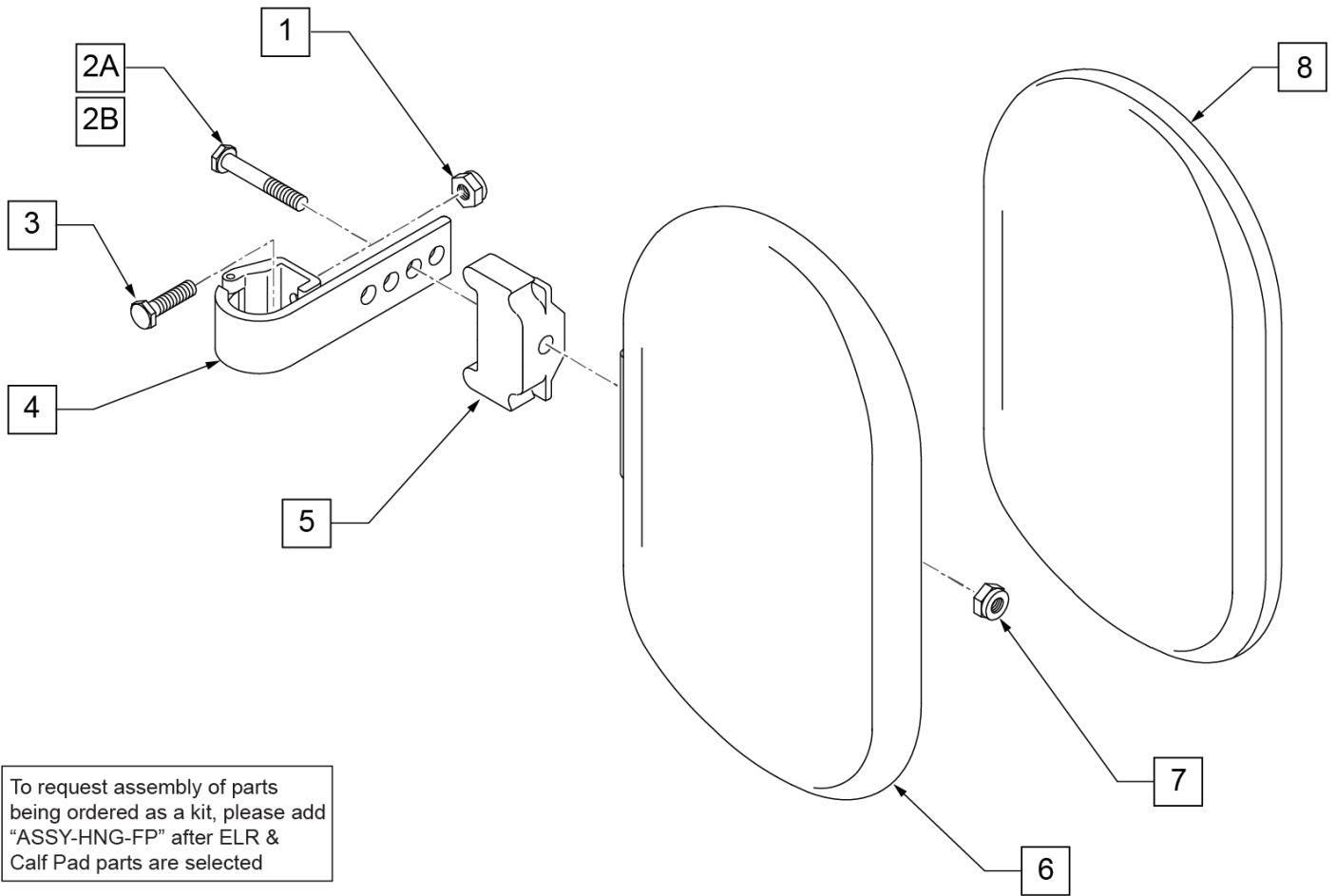


| Pos. | Item Number | Description | Remarks |
|--------|-------------|-------------------------------|-------------------------------------------------|
| 1 | 129638S | EXTENSION MOUNT ELR KIT R | Right-order item 26 when retro-fitting to chair |
| 1 | 129639S | EXTENSION MOUNT ELR KIT L | Left-order item 26 when retro-fitting to chair |
| 1 | 129637S | EXTENSION MOUNT ELR PAIR KIT | Pair-order item 26 when retro-fitting to chair |
| 2,3,25 | 129640 | ELR SHROUD KIT | Kit w/ 2 screws |
| 3 | 127135 | BHCS 8-32 X 1/2 BLK | |
| 4 | 126992 | HEMI ELR SUB ASSM | |
| 5 | 560501 | ALR REL LEVER COVER | |
| 6 | 127114 | HEMI RECEIVER ASSM ELR ALR R | Right |
| 6 | 127115 | HEMI RECEIVER ASSM ELR ALR L | Left |
| 7 | 107350 | SHCS 1/4-28 x 1/2 | |
| 8 | 127129 | ANGLE STOP ELR | |
| 9 | 107249 | NUT HEX THIN 1/4-28 | |
| 10 | 106935 | 1/4-28 NYLOCK NUT THIN BLK ZN | |
| 11 | 104414 | WAVE WASHER 6 MM | |
| 12 | 106961 | BHCS 1/4 -28 x 1 1/4 ROHS | |

| Pos. | Item Number | Description | Remarks |
|-------------|-------------|--------------------------------|-----------------------------------------|
| 13 | 108623 | BHCS 1/4-28 x 1-1/2 | |
| 14 | 119495 | EXTENSION CLAMP KIT | |
| 15 | 010615 | SQUARE END CAP CNTR LEG | |
| 16 | 226217 | 5/16-18 X 2" BH C/S BLK | |
| 17 | 561062 | 1" INSERT PLUG .065 RIBS | |
| 18 | 226057 | BHCS 10-24 X .725 PL | |
| 20 | 561197 | PLASTIC PIVOT SADDLE | |
| 21 | 202102 | 5/16-18 NYLOCK NUT THIN | |
| 23,24 | 881500 | LATCH BLOCK ASSM R | Right |
| 23,24 | 881501 | LATCH BLOCK ASSM L | Left |
| 25 | 113282 | WASHER FLAT AN #10 ROHS | |
| 18,19,22-24 | 881521 | S/A LATCH KIT CASTING RIGHT | Right |
| 18,19,22-24 | 881522 | S/A LATCH KIT CASTING LEFT | Left |
| 26 | 107491 | LATCH STUD KIT | order qty 2 when retro-fitting to chair |
| | | Ship assembled part # | Use with multiple assemblies |
| | ASSY-HNG-FP | HANGER/FOOTPLATE ASSY REQUIRED | add with Hanger & Footplate kit |



| Pos. | Item Number | Description | Remarks |
|------|-------------|----------------------------------|---------------------------------|
| 1 | 106980 | BHCS 5/16-18 X 1-1/4 ROHS | |
| 2 | 755014 | CALF PAD TROUGH STYLE 14"/16" | |
| 3 | 221097 | 1/4-28 X 5/8 HEX C/S BZ | |
| 4 | 561016 | 1" WASHER 5/16" HOLE | |
| 5 | 881413 | CALF PAD BRACKET ASSEMBLY | |
| 6 | 106934 | NUT NYLOCK 1/4-28 ROHS | |
| 7 | 106937 | NUT NYLOCK THIN 5/16-18 | |
| 1-7 | 881414 | CALF PAD J-HOOK 14"-15" ASSEMBLY | |
| | | Ship assembled part # | Use with multiple assemblies |
| | ASSY-HNG-FP | HANGER/FOOTPLATE ASSY REQUIRED | add with Hanger & Footplate kit |

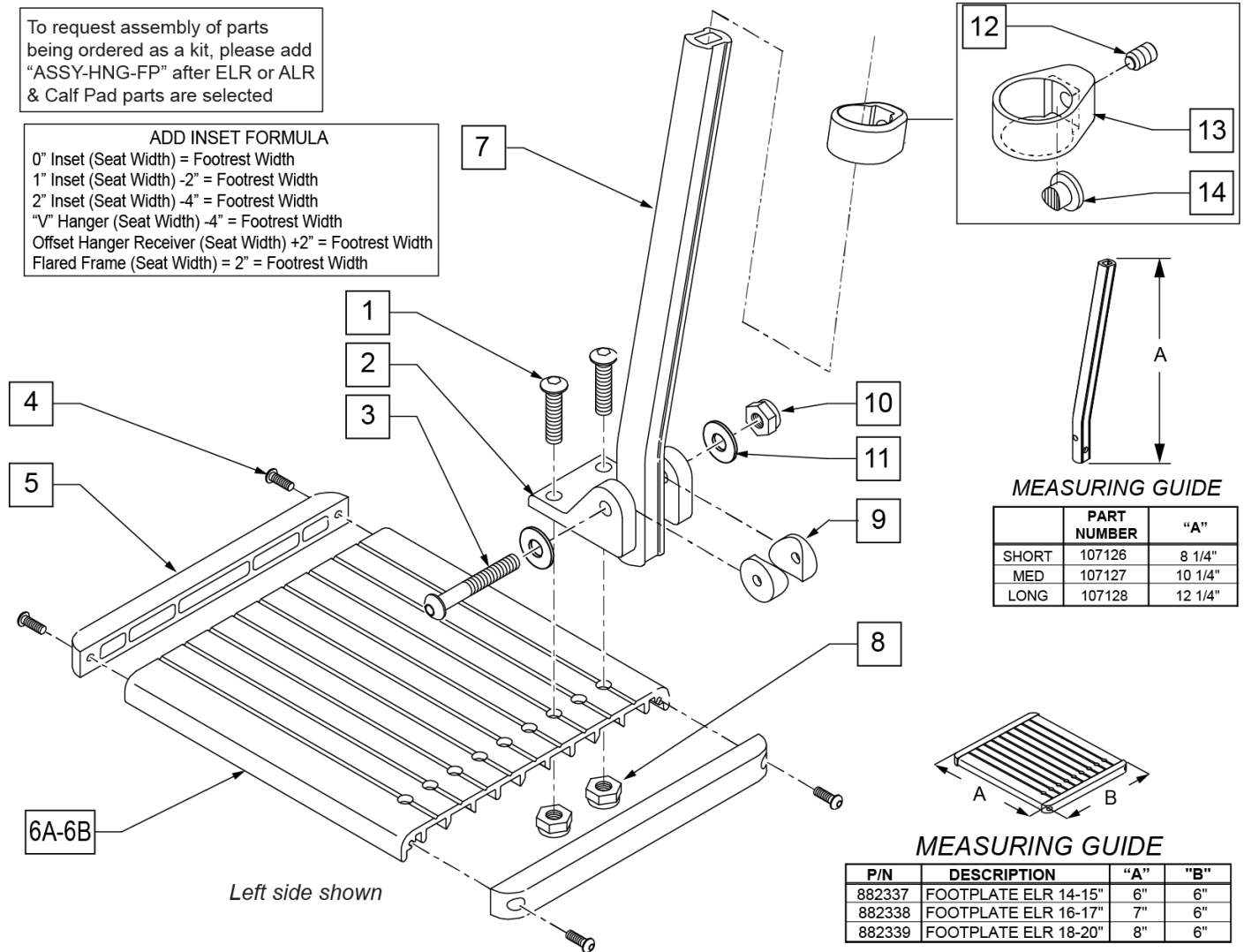


To request assembly of parts being ordered as a kit, please add "ASSY-HNG-FP" after ELR & Calf Pad parts are selected

| Pos. | Item Number | Description | Remarks |
|--------------|-------------|----------------------------------|---------------------------------|
| 1 | 106934 | NUT NYLOCK 1/4-28 ROHS | |
| 2A | 107018 | HHCS 5/16-18 X 2-1/2 ROHS | 16"-17" wide only |
| 2B | 107019 | HHCS 5/16-18 X 3-1/2 ROHS | 18"-20" wide only |
| 3 | 107013 | HHCS 1/4-28 X 5/8 ROHS | |
| 4 | 881413 | CALF PAD BRACKET ASSEMBLY | |
| 5 | 560199 | ELR CALF HINGE SPACER | 18"-20" wide only |
| 6 | 560108 | CALF PAD MOLDED 16"-20" | |
| 7 | 106936 | NUT NYLOCK 5/16-18 ROHS | |
| 8 | 751045 | CALF PAD COVER | |
| 1,2A,3,4,6-8 | 881416 | CALF MOLDED 16"-17" ASSEMBLY | |
| 1,2B,3-7,8 | 881412 | CALF PAD MOLDED 18"-20" ASSEMBLY | |
| | | Ship assembled part # | Use with multiple assemblies |
| | ASSY-HNG-FP | HANGER/FOOTPLATE ASSY REQUIRED | add with Hanger & Footplate kit |

To request assembly of parts being ordered as a kit, please add "ASSY-HNG-FP" after ELR or ALR & Calf Pad parts are selected

ADD INSET FORMULA
 0" Inset (Seat Width) = Footrest Width
 1" Inset (Seat Width) -2" = Footrest Width
 2" Inset (Seat Width) -4" = Footrest Width
 "V" Hanger (Seat Width) -4" = Footrest Width
 Offset Hanger Receiver (Seat Width) +2" = Footrest Width
 Flared Frame (Seat Width) = 2" = Footrest Width



MEASURING GUIDE

| | PART NUMBER | "A" |
|-------|-------------|---------|
| SHORT | 107126 | 8 1/4" |
| MED | 107127 | 10 1/4" |
| LONG | 107128 | 12 1/4" |

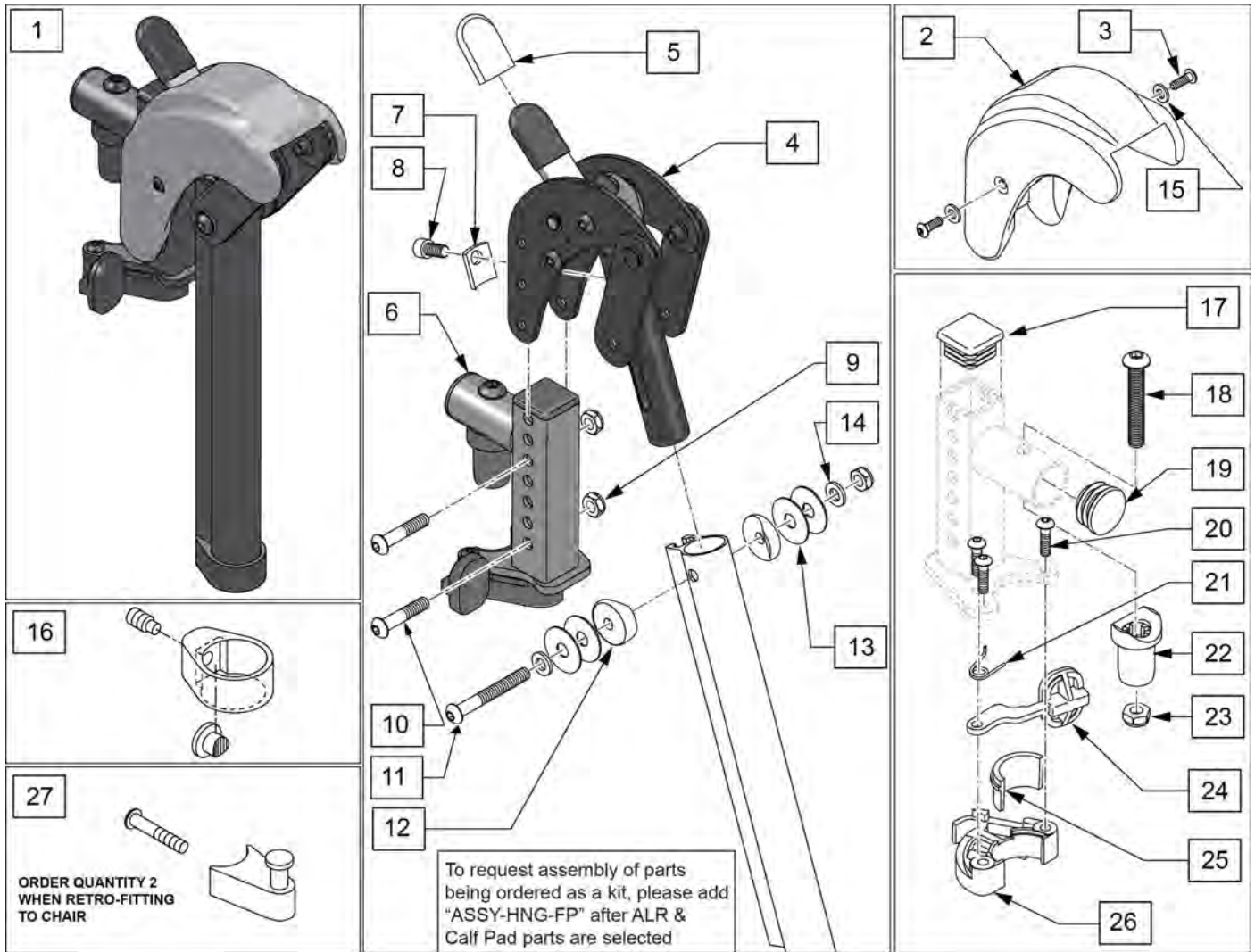
MEASURING GUIDE

| P/N | DESCRIPTION | "A" | "B" |
|--------|----------------------|-----|-----|
| 882337 | FOOTPLATE ELR 14-15" | 6" | 6" |
| 882338 | FOOTPLATE ELR 16-17" | 7" | 6" |
| 882339 | FOOTPLATE ELR 18-20" | 8" | 6" |

| Pos. | Item Number | Description | Remarks |
|----------|-------------|--------------------------------|------------------------------------------------------|
| 1 | 226090 | 1/4-28 x 5/8 BH C/S | |
| 2 | 118093 | BRACKET FOOTPLATE ALUM | |
| 3 | 102262-008 | BHCS M6 X 1 X 50 INORGANIC | |
| 4 | 281043 | #4 x 5/8 PAN PHIL S/TAP | |
| 5 | 560101 | END CAPS FOOTREST | |
| 7 | 107126 | SHORT BENT | |
| 7 | 107127 | MED BENT | |
| 7 | 107128 | LONG BENT | |
| 7 | 128078 | TUBE FOOTREST EXT SHT HEMI | Use for Hemi Extension option |
| 8 | 106935 | 1/4-28 NYLOCK NUT THIN | |
| 9 | 561003 | 3/4" SADDLE THIN | |
| 10 | 132626 | NUT AUTOMATION M6 X 1.0 | |
| 11 | 107383 | WASHER FLAT M6 ROHS | |
| 4,5,6A | 882337 | ELR FOOTPLATE ASSEMBLY 14 -15" | |
| 4,5,6B | 882338 | ELR FOOTPLATE ASSEMBLY 16 -17" | |
| 4,5,6C | 882339 | ELR FOOTPLATE ASSEMBLY 18 -20" | |
| 12-14 | 119495 | EXTENSION CLAMP KIT | |
| 1,3,8-11 | 129775 | ALU FOOTPLATE HDWARE KIT | Ext tube not included; bracket (118093) not included |
| | | Ship assembled part # | Use with multiple assemblies |

| Pos. | Item Number | Description | Remarks |
|------|-------------|--------------------------------|---------------------------------|
| | ASSY-HNG-FP | HANGER/FOOTPLATE ASSY REQUIRED | add with Hanger & Footplate kit |

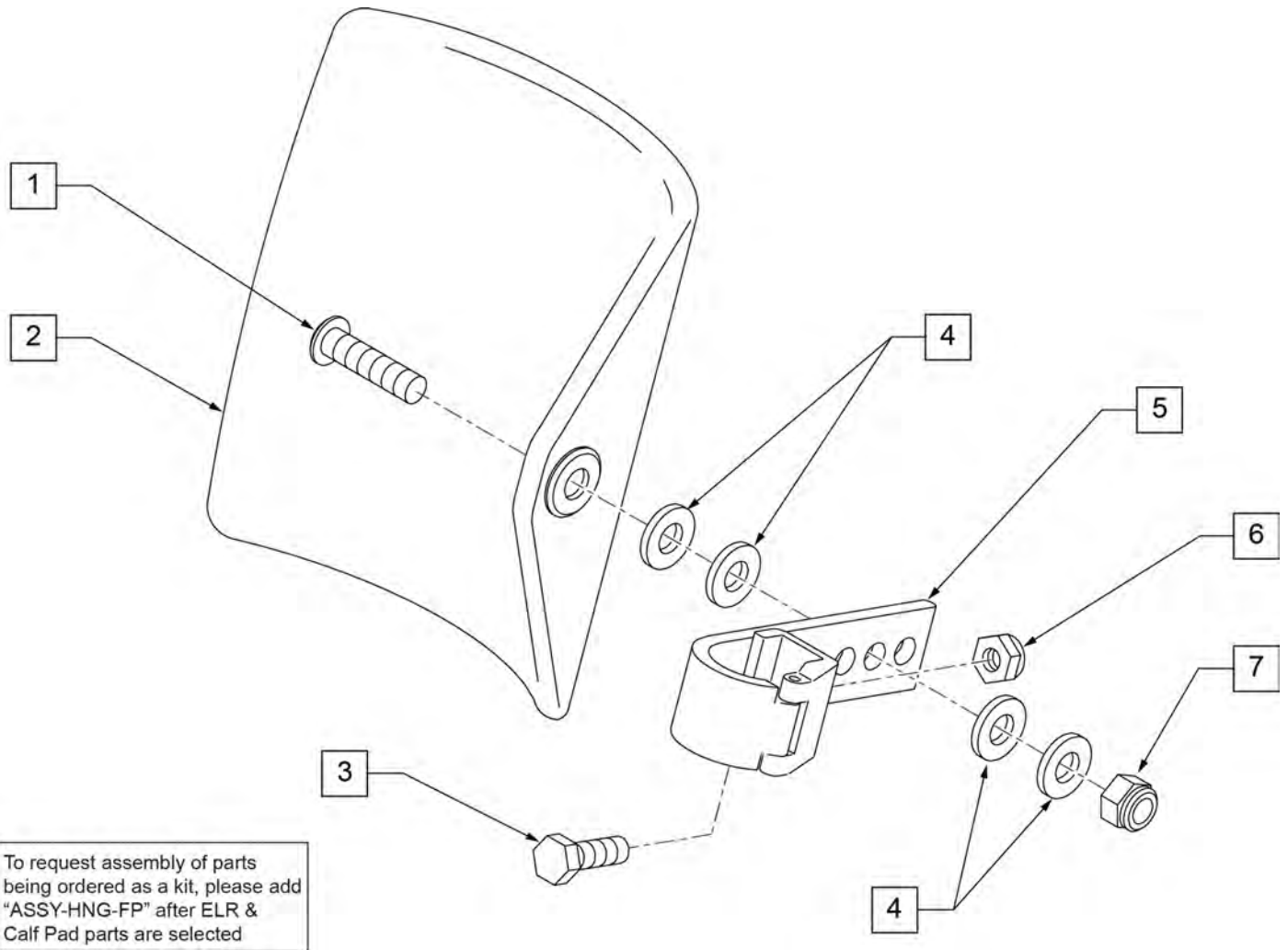
Note: When retrofitting ALR to a chair with S/A Hangers please order Qty 2 of p/n 107491 (Item 27).



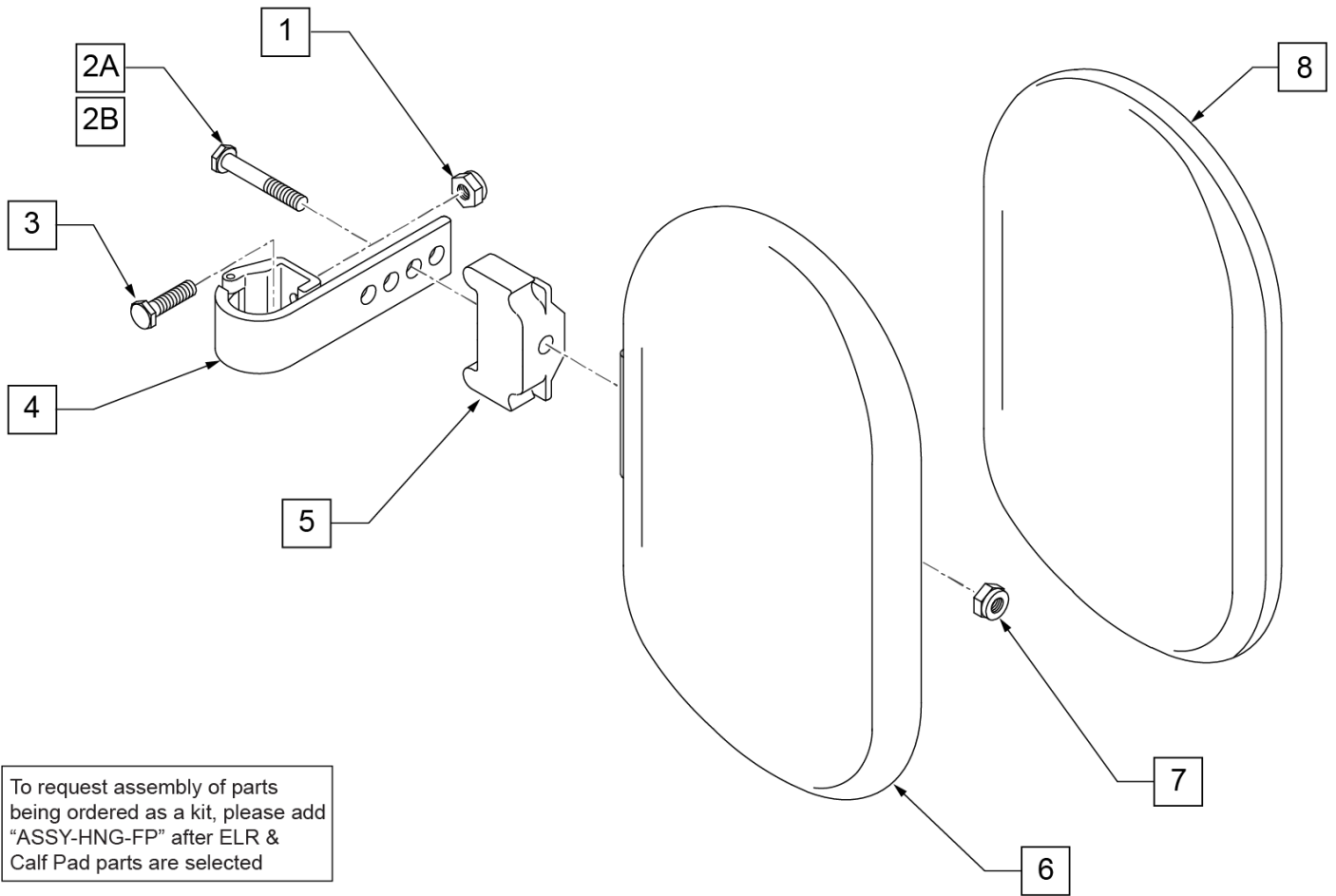
To request assembly of parts being ordered as a kit, please add "ASSY-HNG-FP" after ALR & Calf Pad parts are selected

| Pos. | Item Number | Description | Remarks |
|--------|-------------|-------------------------------|-------------------------------------------------|
| 1 | 129631S | ALR KIT R | Right-order item 27 when retro-fitting to chair |
| 1 | 129632S | ALR KIT L | Left-order item 27 when retro-fitting to chair |
| 1 | 129630S | ALR PAIR KIT | Pair-order item 27 when retro-fitting to chair |
| 2,3,15 | 129633 | ALR SHROUD KIT | 1 side |
| 3 | 127135 | BHCS 8-32 X 1/2 BLK | |
| 4 | 127153 | HEMI ALR SUB ASSM | |
| 5 | 560501 | ALR REL LEVER COVER | |
| 6 | 127114 | HEMI RECEIVER ASSM ELR ALR R | Right |
| 6 | 127115 | HEMI RECEIVER ASSM ELR ALR L | Left |
| 7 | 127129 | ANGLE STOP ELR | |
| 8 | 107350 | SHCS 1/4-28 x 1/2 | |
| 9 | 106935 | 1/4-28 NYLOCK NUT THIN BLK ZN | |
| 10 | 108623 | BHCS 1/4-28 x 1-1/2 | |
| 11 | 106964 | BHCS 1/4-28 X 2 | |
| 12 | 561086 | 1" HALF SADDLE 1/4" HOLE | |

| Pos. | Item Number | Description | Remarks |
|-------------|-------------|--------------------------------|-----------------------------------------|
| 13 | 113268 | WASHER NYLON 1IN OD X .312 ID | |
| 14 | 106943 | WASHER FLAT AN 1/4 ROHS | |
| 15 | 113282 | WASHER FLAT AN #10 ROHS | |
| 16 | 119495 | EXTENSION CLAMP KIT | |
| 17 | 010615 | SQUARE END CAP CNTR LEG | |
| 18 | 226217 | 5/16-18 X 2" BH C/S BLK | |
| 19 | 561062 | 1" INSERT PLUG .065 RIBS | |
| 20 | 226057 | BHCS 10-24 X .725 PL | |
| 22 | 561197 | PLASTIC PIVOT SADDLE | |
| 23 | 202102 | 5/16-18 NYLOCK NUT THIN | |
| 25,26 | 881500 | LATCH BLOCK ASSM R | Right |
| 25,26 | 881501 | LATCH BLOCK ASSM L | Left |
| 20,21,24-26 | 881521 | S/A LATCH KIT CASTING RIGHT | Right |
| 20,21,24-26 | 881522 | S/A LATCH KIT CASTING LEFT | Left |
| 27 | 107491 | LATCH STUD KIT | order qty 2 when retro-fitting to chair |
| | | Ship assembled part # | Use with multiple assemblies |
| | ASSY-HNG-FP | HANGER/FOOTPLATE ASSY REQUIRED | add with Hanger & Footplate kit |



| Pos. | Item Number | Description | Remarks |
|------|-------------|----------------------------------|---------------------------------|
| 1 | 106980 | BHCS 5/16-18 X 1-1/4 ROHS | |
| 2 | 755014 | CALF PAD TROUGH STYLE 14"/16" | |
| 3 | 221097 | 1/4-28 X 5/8 HEX C/S BZ | |
| 4 | 561016 | 1" WASHER 5/16" HOLE | |
| 5 | 881413 | CALF PAD BRACKET ASSEMBLY | |
| 6 | 106934 | NUT NYLOCK 1/4-28 ROHS | |
| 7 | 106937 | NUT NYLOCK THIN 5/16-18 | |
| 1-7 | 881414 | CALF PAD J-HOOK 14"-15" ASSEMBLY | |
| | | Ship assembled part # | Use with multiple assemblies |
| | ASSY-HNG-FP | HANGER/FOOTPLATE ASSY REQUIRED | add with Hanger & Footplate kit |



To request assembly of parts being ordered as a kit, please add "ASSY-HNG-FP" after ELR & Calf Pad parts are selected

| Pos. | Item Number | Description | Remarks |
|--------------|-------------|----------------------------------|---------------------------------|
| 1 | 106934 | NUT NYLOCK 1/4-28 ROHS | |
| 2A | 107018 | HHCS 5/16-18 X 2-1/2 ROHS | 16"-17" wide only |
| 2B | 107019 | HHCS 5/16-18 X 3-1/2 ROHS | 18"-20" wide only |
| 3 | 107013 | HHCS 1/4-28 X 5/8 ROHS | |
| 4 | 881413 | CALF PAD BRACKET ASSEMBLY | |
| 5 | 560199 | ELR CALF HINGE SPACER | 18"-20" wide only |
| 6 | 560108 | CALF PAD MOLDED 16"-20" | |
| 7 | 106936 | NUT NYLOCK 5/16-18 ROHS | |
| 8 | 751045 | CALF PAD COVER | |
| 1,2A,3,4,6-8 | 881416 | CALF MOLDED 16"-17" ASSEMBLY | |
| 1,2B,3-7,8 | 881412 | CALF PAD MOLDED 18"-20" ASSEMBLY | |
| | | Ship assembled part # | Use with multiple assemblies |
| | ASSY-HNG-FP | HANGER/FOOTPLATE ASSY REQUIRED | add with Hanger & Footplate kit |

Note: Footplate Assemblies are set to footrest width; please see "Footplate Formula" table for seat width conversion.

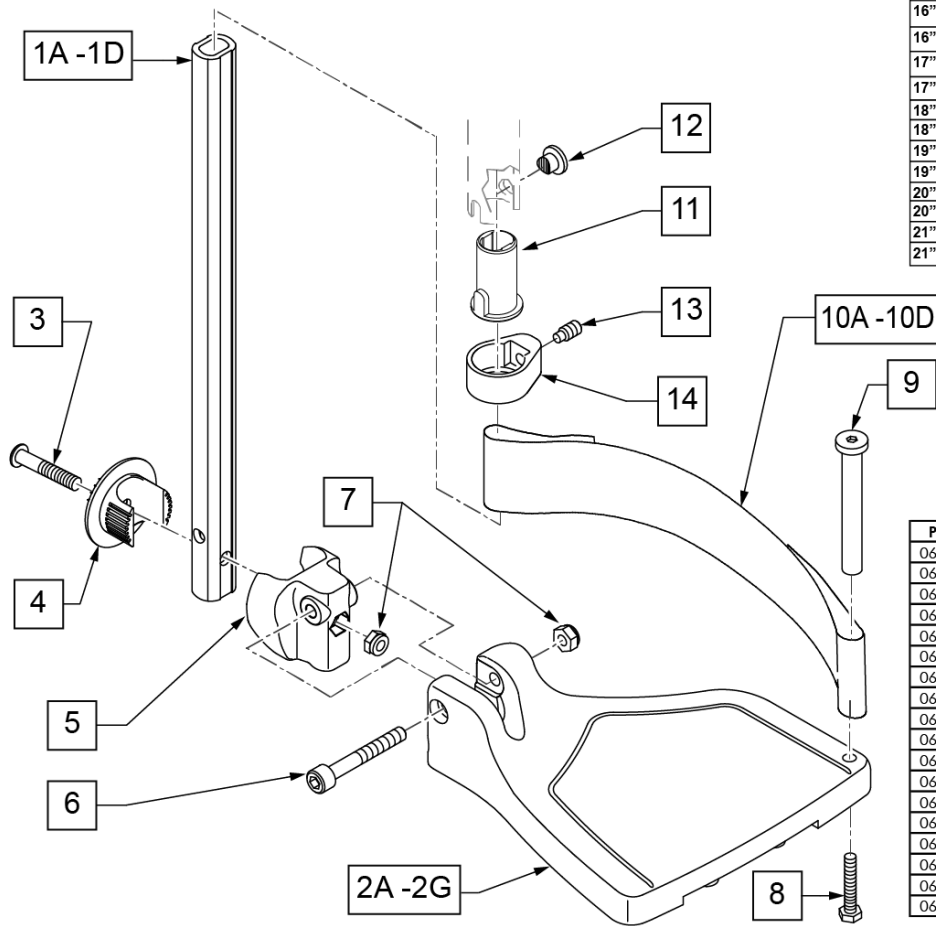
Note: If using Short Ext Tube & Hemi Hanger with Composite Angle Adjustable Footplate use 1D (straight) .

Note: V Style Hangers are not available on Swing Away Style chairs effective 7/14/14; see the "Prior To" ordering guide for V Style footplate assemblies.

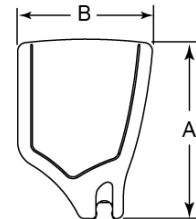
To have complete Footrest ship assembled, choose compatible Hanger + Footplate part numbers and add "ASSY-HNG-FP" to order

ADD INSET FORMULA
 0" Inset (Seat Width) = Footrest Width
 1" Inset (Seat Width) -2" = Footrest Width
 2" Inset (Seat Width) -4" = Footrest Width
 "V" Hanger (Seat Width) -4" = Footrest Width
 Offset Hanger Receiver (Seat Width) +2" = Footrest Width
 Flared Frame (Seat Width) = 2" = Footrest Width

| Composite Angle Adjustable "CAA" Footplate w/ Ext & HL for Swing I/O Hangers (Order 1 each) | | | | |
|---------------------------------------------------------------------------------------------------|---------------------|-----------------------------------------------|--------|--------|
| Ext Tube Footrest Width | Short Style Hangers | Standard Style Hanger (Straight Extension) | | |
| | | Short Hemi | Short | Medium |
| 15" Right | 129710 | 107816 | 107830 | 107844 |
| 15" Left | 129711 | 107823 | 107837 | 107851 |
| 16" Right | 129712 | 107817 | 107831 | 107845 |
| 16" Left | 129713 | 107824 | 107838 | 107852 |
| 17" Right | 129714 | 107818 | 107832 | 107846 |
| 17" Left | 129715 | 107825 | 107839 | 107853 |
| 18" Right | 129716 | 107819 | 107833 | 107847 |
| 18" Left | 129717 | 107826 | 107840 | 107854 |
| 19" Right | 129718 | 107820 | 107834 | 107848 |
| 19" Left | 129719 | 107827 | 107841 | 107855 |
| 20" Right | 129720 | 107821 | 107835 | 107849 |
| 20" Left | 129721 | 107828 | 107842 | 107856 |
| 21"-22" Rt | 129722 | 107822 | 107836 | 107850 |
| 21"-22" Lt | 129723 | 107829 | 107843 | 107857 |



FOOTPLATE MEASURING GUIDE



| PART NO | DESCRIPTION | DIM - A- | DIM - B- |
|------------|---------------------------|----------|----------|
| 063216-006 | FOOTPLATE COMPOSITE 157 R | 6 1/8" | 6" |
| 063216-012 | FOOTPLATE COMPOSITE 157 L | 6 1/8" | 6" |
| 063216-015 | FOOTPLATE COMPOSITE 170 R | 6 5/8" | 6" |
| 063216-018 | FOOTPLATE COMPOSITE 170 L | 6 5/8" | 6" |
| 063216-005 | FOOTPLATE COMPOSITE 182 R | 7 1/8" | 6" |
| 063216-011 | FOOTPLATE COMPOSITE 182 L | 7 1/8" | 6" |
| 063216-014 | FOOTPLATE COMPOSITE 195 R | 7 5/8" | 6" |
| 063216-017 | FOOTPLATE COMPOSITE 195 L | 7 5/8" | 6" |
| 063216-004 | FOOTPLATE COMPOSITE 207 R | 8 1/8" | 6" |
| 063216-010 | FOOTPLATE COMPOSITE 207 L | 8 1/8" | 6" |
| 063216-013 | FOOTPLATE COMPOSITE 220 R | 8 5/8" | 6 1/4" |
| 063216-016 | FOOTPLATE COMPOSITE 220 L | 8 5/8" | 6 1/4" |
| 063216-003 | FOOTPLATE COMPOSITE 232 R | 9 1/8" | 6 1/4" |
| 063216-009 | FOOTPLATE COMPOSITE 232 L | 9 1/8" | 6 1/4" |
| 063216-002 | FOOTPLATE COMPOSITE 257 R | 10 1/8" | 6 1/4" |
| 063216-008 | FOOTPLATE COMPOSITE 257 L | 10 1/8" | 6 1/4" |
| 063216-001 | FOOTPLATE COMPOSITE 282 R | 11 1/8" | 6 1/4" |
| 063216-007 | FOOTPLATE COMPOSITE 282 L | 11 1/8" | 6 1/4" |

| Pos. | Item Number | Description | Remarks |
|--------|-------------|--------------------------------|------------------------------|
| 1A,6,7 | 120660 | SHT STRT EXT COMP HDWR | |
| 1B,6,7 | 120661 | MED STRT EXT COMP HDWR | |
| 1C,6,7 | 120662 | LNG STRT EXT COMP HDWR | |
| 1D | 128079 | TUBE FTRST EXT STRGHT SHT HEMI | Use for Hemi Ext Tube option |

| Pos. | Item Number | Description | Remarks |
|-------------|-------------|--------------------------------------|----------------------------------|
| 2A | 063216-006 | COMPOSITE FOOTPLATE RIGHT | RIGHT 15" Footrest Width |
| 2A | 063216-012 | COMPOSITE FOOTPLATE LEFT | LEFT 15" Footrest Width |
| 2B | 063216-015 | COMPOSITE FOOTPLATE RIGHT | RIGHT 16" Footrest Width |
| 2B | 063216-018 | COMPOSITE FOOTPLATE LEFT | LEFT 16" Footrest Width |
| 2C | 063216-005 | COMPOSITE FOOTPLATE RIGHT | RIGHT 17" Footrest Width |
| 2C | 063216-011 | COMPOSITE FOOTPLATE LEFT | LEFT 17" Footrest Width |
| 2D | 063216-014 | COMPOSITE FOOTPLATE RIGHT | RIGHT 18" Footrest Width |
| 2D | 063216-017 | COMPOSITE FOOTPLATE LEFT | LEFT 18" Footrest Width |
| 2E | 063216-004 | COMPOSITE FOOTPLATE RIGHT | RIGHT 19" Footrest Width |
| 2E | 063216-010 | COMPOSITE FOOTPLATE LEFT | LEFT 19" Footrest Width |
| 2F | 063216-013 | COMPOSITE FOOTPLATE RIGHT | RIGHT 20" Footrest Width |
| 2F | 063216-016 | COMPOSITE FOOTPLATE LEFT | LEFT 20" Footrest Width |
| 2G | 063216-003 | COMPOSITE FOOTPLATE RIGHT | RIGHT 21" & 22" Footrest Width |
| 2G | 063216-009 | COMPOSITE FOOTPLATE LEFT | LEFT 21" & 22" Footrest Width |
| 3 | 108233 | BHCS M6 X 1 X 40 | |
| 4 | 054242 | ANGLE COVER | |
| 5 | 054241 | ANGLE SEGMENT | |
| 6 | 103175 | SHCS M6 X 1 X 40 INORG | |
| 7 | 132626 | NUT AUTOMATION M6 X 1.0 | |
| 8 | 102268-001 | HHCS M6X1X25 | Inserted in bottom of footplate. |
| 9 | 104328 | HEEL LOOP PEG | |
| 10A | 104380-001 | ADJUSTABLE FOOT REST STRAP | 15" Footrest Width |
| 10B | 104380-002 | ADJUSTABLE FOOT REST STRAP | 16" Footrest Width |
| 10C | 104380-003 | ADJUSTABLE FOOT REST STRAP | 17-18" Footrest Width |
| 10D | 104380-004 | ADJUSTABLE FOOT REST STRAP | 19-22" Footrest Width |
| 11 | 104160 | BUSHING FOOTREST | |
| 11-14 | 107485 | FOOTREST CLAMP ASSM | |
| >>>> | | 60,70,80 HANGERS - SHORT EXT - RIGHT | |
| 1A,2A,3-10A | 107816 | CAA STRT SHT EXT ASM 15W R | Right- 15 W- SHORT |
| 1A,2B,3-10B | 107817 | CAA STRT SHT EXT ASM 16W R | Right- 16 W- SHORT |
| 1A,2C,3-10B | 107818 | CAA STRT SHT EXT ASM 17W R | Right- 17 W- SHORT |
| 1A,2D,3-10C | 107819 | CAA STRT SHT EXT ASM 18W R | Right- 18 W- SHORT |
| 1A,2E,3-10C | 107820 | CAA STRT SHT EXT ASM 19W R | Right- 19 W- SHORT |
| 1A,2F,3-10D | 107821 | CAA STRT SHT EXT ASM 20W R | Right- 20 W- SHORT |
| 1A,2G,3-10D | 107822 | CAA STRT SHT EXT ASM 21&22W R | Right- 21&22 W- SHORT |
| >>>> | | 60,70,80 HANGERS - SHORT EXT - LEFT | |
| 1A,2A,3-10A | 107823 | CAA STRT SHT EXT ASM 15W L | Left- 15 W- SHORT |
| 1A,2B,3-10B | 107824 | CAA STRT SHT EXT ASM 16W L | Left- 16 W- SHORT |
| 1A,2C,3-10B | 107825 | CAA STRT SHT EXT ASM 17W L | Left- 17 W- SHORT |
| 1A,2D,3-10C | 107826 | CAA STRT SHT EXT ASM 18W L | Left- 18 W- SHORT |
| 1A,2E,3-10C | 107827 | CAA STRT SHT EXT ASM 19W L | Left- 19 W- SHORT |
| 1A,2F,3-10D | 107828 | CAA STRT SHT EXT ASM 20W L | Left- 20 W- SHORT |
| 1A,2G,3-10D | 107829 | CAA STRT SHT EXT ASM 21&22W L | Left- 21&22 W- SHORT |
| >>>> | | 60,70,80& 60,70 HEMI HANGER- RIGHT | |
| 1B,2A,3-10A | 107830 | CAA STRT MED EXT ASM 15W R | Right- 15 W- MED |
| 1B,2B,3-10B | 107831 | CAA STRT MED EXT ASM 16W R | Right- 16 W- MED |
| 1B,2C,3-10B | 107832 | CAA STRT MED EXT ASM 17W R | Right- 17 W- MED |
| 1B,2D,3-10C | 107833 | CAA STRT MED EXT ASM 18W R | Right- 18 W- MED |
| 1B,2E,3-10C | 107834 | CAA STRT MED EXT ASM 19W R | Right- 19 W- MED |
| 1B,2F,3-10D | 107835 | CAA STRT MED EXT ASM 20W R | Right- 20 W- MED |
| 1B,2G,3-10D | 107836 | CAA STRT MED EXT ASM 21&22W R | Right- 21&22 W- MED |
| >>>> | | 60,70,80& 60,70 HEMI HANGER- LEFT | |
| 1B,2A,3-10A | 107837 | CAA STRT MED EXT ASM 15W L | Left- 15 W- MED |
| 1B,2B,3-10B | 107838 | CAA STRT MED EXT ASM 16W L | Left- 16 W- MED |
| 1B,2C,3-10B | 107839 | CAA STRT MED EXT ASM 17W L | Left- 17 W- MED |
| 1B,2D,3-10C | 107840 | CAA STRT MED EXT ASM 18W L | Left- 18 W- MED |
| 1B,2E,3-10C | 107841 | CAA STRT MED EXT ASM 19W L | Left- 19 W- MED |

| Pos. | Item Number | Description | Remarks |
|-------------|-------------|--------------------------------------|--------------------------------------------|
| 1B,2F,3-10D | 107842 | CAA STRT MED EXT ASM 20W L | Left- 20 W- MED |
| 1B,2G,3-10D | 107843 | CAA STRT MED EXT ASM 21&22W L | Left- 21&22 W- MED |
| >>>> | | 60,70,80& 60,70 HEMI HANGER- RIGHT | |
| 1C,2A,3-10A | 107844 | CAA STRT LNG EXT ASM 15W R | Right- 15 W- LONG |
| 1C,2B,3-10B | 107845 | CAA STRT LNG EXT ASM 16W R | Right- 16 W- LONG |
| 1C,2C,3-10B | 107846 | CAA STRT LNG EXT ASM 17W R | Right- 17 W- LONG |
| 1C,2D,3-10C | 107847 | CAA STRT LNG EXT ASM 18W R | Right- 18 W- LONG |
| 1C,2E,3-10C | 107848 | CAA STRT LNG EXT ASM 19W R | Right- 19 W- LONG |
| 1C,2F,3-10D | 107849 | CAA STRT LNG EXT ASM 20W R | Right- 20 W- LONG |
| 1C,2G,3-10D | 107850 | CAA STRT LNG EXT ASM 21&22W R | Right- 21&22 W- LONG |
| >>>> | | 60,70,80& 60,70 HEMI HANGER- LEFT | |
| 1C,2A,3-10A | 107851 | CAA STRT LNG EXT ASM 15W L | Left- 15 W- LONG |
| 1C,2B,3-10B | 107852 | CAA STRT LNG EXT ASM 16W L | Left- 16 W- LONG |
| 1C,2C,3-10B | 107853 | CAA STRT LNG EXT ASM 17W L | Left- 17 W- LONG |
| 1C,2D,3-10C | 107854 | CAA STRT LNG EXT ASM 18W L | Left- 18 W- LONG |
| 1C,2E,3-10C | 107855 | CAA STRT LNG EXT ASM 19W L | Left- 19 W- LONG |
| 1C,2F,3-10D | 107856 | CAA STRT LNG EXT ASM 20W L | Left- 20 W- LONG |
| 1C,2G,3-10D | 107857 | CAA STRT LNG EXT ASM 21&22W L | Left- 21&22 W- LONG |
| >>>> | | 60&70 HEMI HANGERS- SHORT EXT- RIGHT | |
| 1D,2A,3-10A | 129710 | CAA FOOT KIT SHT HNGR 15W R | Right-Hemi-15W; add Ext behind the Hemi |
| 1D,2B,3-10B | 129712 | CAA FOOT KIT SHT HNGR 16W R | Right-Hemi-16W; add Ext behind the Hemi |
| 1D,2C,3-10B | 129714 | CAA FOOT KIT SHT HNGR 17W R | Right-Hemi-17W; add Ext behind the Hemi |
| 1D,2D,3-10C | 129716 | CAA FOOT KIT SHT HNGR 18W R | Right-Hemi-18W; add Ext behind the Hemi |
| 1D,2E,3-10C | 129718 | CAA FOOT KIT SHT HNGR 19W R | Right-Hemi-19W; add Ext behind the Hemi |
| 1D,2F,3-10D | 129720 | CAA FOOT KIT SHT HNGR 20W R | Right-Hemi-20W; add Ext behind the Hemi |
| 1D,2G,3-10D | 129722 | CAA FOOT KIT SHT HNGR 22W R | Right-Hemi-21&22W; add Ext behind the Hemi |
| >>>> | | 60&70 HEMI HANGERS- SHORT EXT - LEFT | |
| 1D,2A,3-10A | 129711 | CAA FOOT KIT SHT HNGR 15W L | Left-Hemi-15W; add Ext behind the Hemi |
| 1D,2B,3-10B | 129713 | CAA FOOT KIT SHT HNGR 16W L | Left-Hemi-16W; add Ext behind the Hemi |
| 1D,2C,3-10B | 129715 | CAA FOOT KIT SHT HNGR 17W L | Left-Hemi-17W; add Ext behind the Hemi |
| 1D,2D,3-10C | 129717 | CAA FOOT KIT SHT HNGR 18W L | Left-Hemi-18W; add Ext behind the Hemi |
| 1D,2E,3-10C | 129719 | CAA FOOT KIT SHT HNGR 19W L | Left-Hemi-19W; add Ext behind the Hemi |
| 1D,2F,3-10D | 129721 | CAA FOOT KIT SHT HNGR 20W L | Left-Hemi-20W; add Ext behind the Hemi |
| 1D,2G,3-10D | 129723 | CAA FOOT KIT SHT HNGR 22W L | Left-Hemi-21&22W; add Ext behind the Hemi |
| | | Ship assembled part # | Use with multiple assemblies |
| | ASSY-HNG-FP | HANGER/FOOTPLATE ASSY REQUIRED | add with Hanger & Footplate kit |

Note: Footplate Assemblies are set to footrest width; please see "Footplate Formula" table for seat width conversion.

Note: If using Short Ext Tube & Hemi Hanger with Adult Angle Adjustable Footplate use 1D (straight) .

Note: V Style Hangers are not available on Swing Away Style chairs effective 7/14/14; see the "Prior To" ordering guide for V Style footplate assemblies.

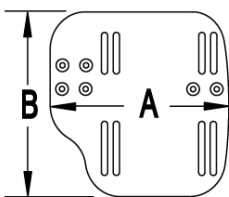
Note: for QX Series or SR45 footplate replacement parts see the ordering guide marked specifically for these two models in the informations panel.

Note: if chair has High Mount Ext Tubes or if switching to High Mount Ext Tubes, see AAA Footplate w/ High Mount Extension Ordering Guide.

| Adult Angle Adjustable "AAA" Footplates w/ Ext & HL for Swing I/O Hangers (Order 1 each) | | | | |
|------------------------------------------------------------------------------------------------|--------------------------------------------------------------------------------|-----------------------------------------------|--------|--------|
| Ext. Tube Width | Short Style Hangers (Short Straight Extension) (Short Hemi Straight Ext) | Standard Style Hanger (Straight Extension) | | |
| | Short Hemi | Short | Med | Long |
| 12-13" Rt | 129756 | 111534 | 111536 | 111538 |
| 12-13" Lt | 129757 | 111535 | 111537 | 111539 |
| 14"-15" Rt | 129758 | 107928 | 107942 | 107956 |
| 14"-15" Lt | 129759 | 107935 | 107949 | 107963 |
| 16"-17" Rt | 129760 | 107930 | 107944 | 107958 |
| 16"-17" Lt | 129761 | 107937 | 107951 | 107965 |
| 18"-22" Rt | 129762 | 107932 | 107946 | 107960 |
| 18"-22" Lt | 129763 | 107939 | 107953 | 107968 |

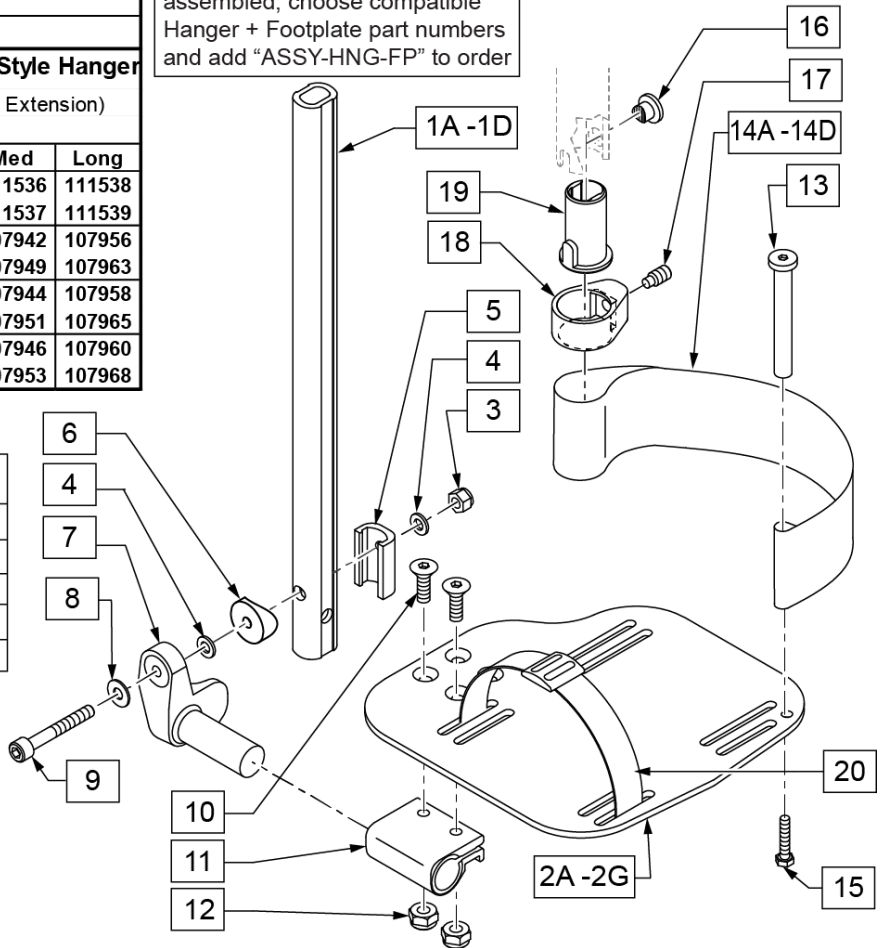
To have complete Footrest ship assembled, choose compatible Hanger + Footplate part numbers and add "ASSY-HNG-FP" to order

MEASURING GUIDE



| CHAIR WIDTH | "A" | "B" |
|-------------|--------|--------|
| 10" - 11" | 3 1/2" | 7 1/4" |
| 12" - 13" | 4 1/2" | 7 3/4" |
| 14" - 15" | 5 1/2" | 7 3/4" |
| 16" - 17" | 6 1/2" | 7 3/4" |
| 18" - 20" | 7 1/2" | 7 3/4" |

ADD INSET FORMULA
 0" Inset (Seat Width) = Footrest Width
 1" Inset (Seat Width) -2" = Footrest Width
 2" Inset (Seat Width) -4" = Footrest Width
 "V" Hanger (Seat Width) -4" = Footrest Width
 Offset Hanger Receiver (Seat Width) +2" = Footrest Width
 Flared Frame (Seat Width) = 2" = Footrest Width

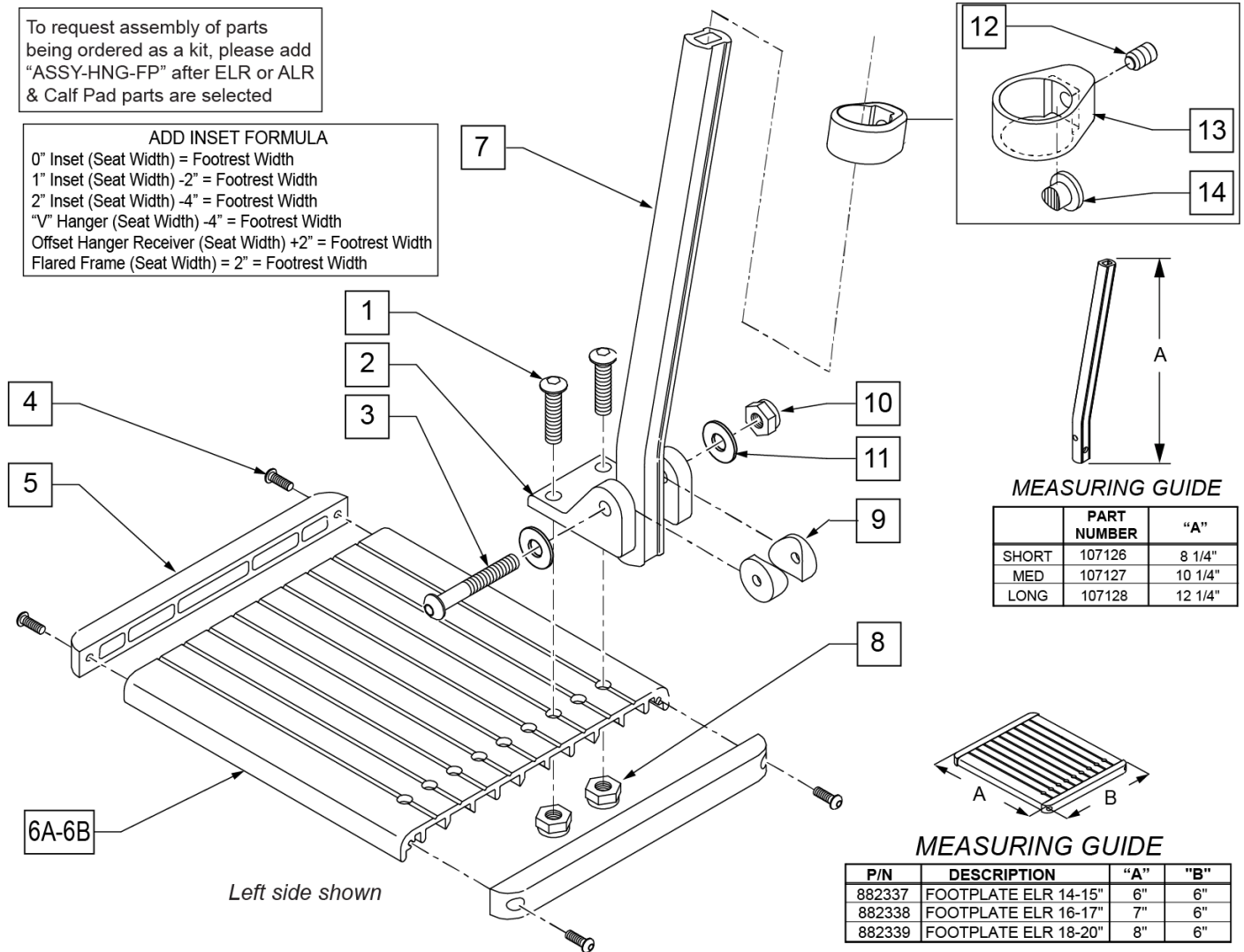


| Pos. | Item Number | Description | Remarks |
|----------------|-------------|---------------------------------------|------------------------------|
| 1A,3-6,8,9 | 120670 | SHT STRT EXT AAA HDWR | |
| 1B,3-6,8,9 | 120671 | MED STRT EXT AAA HDWR | |
| 1C,3-6,8,9 | 120672 | LNG STRT EXT AAA HDWR | |
| 1D | 128079 | TUBE FTRST EXT STRGHT SHT HEMI | Use for Hemi Ext Tube option |
| 2A | 500656 | ADULT ANG ADJ F/PLT 10/11" R | RIGHT 10-11" Footrest Width |
| 2A | 500657 | ADULT ANG ADJ F/PLT 10/11" L | LEFT 10-11" Footrest Width |
| 2B | 500658 | ADULT ANG ADJ F/PLT 12/13" R | RIGHT 12-13" Footrest Width |
| 2B | 500659 | ADULT ANG ADJ F/PLT 12/13" L | LEFT 12-13" Footrest Width |
| 2C | 500660 | ADLT ANGL ADJ F/PLT 14/15 | RIGHT 14-15" Footrest Width |
| 2C | 500661 | ADLT ANGL ADJ F/PLT 14/15 | LEFT 14-15" Footrest Width |
| 2D | 500662 | ADLT ANGL ADJ F/PLT 16/17 | RIGHT 16-17" Footrest Width |
| 2D | 500663 | ADLT ANGL ADJ F/PLT 16/17 | LEFT 16-17" Footrest Width |
| 2E | 500664 | ADLT ANGL ADJ F/PLT 18-20 | RIGHT 18-22" Footrest Width |
| 2E | 500665 | ADLT ANGL ADJ F/PLT 18-20 | LEFT 18-22" Footrest Width |
| 3 | 132626 | NUT AUTOMATION M6 X 1.0 | |
| 4 | 106944 | WASHER FLAT THIN AN 1/4 ROHS | |
| 5 | 107199 | HANGER EXTENSION SADDLE | |
| 6 | 104377 | 3/4" SADDLE THIN | |
| 7 | 541002 | FTRST MOUNTING BRKT-3/8 RAD R | RIGHT |
| 7 | 541003 | FTRST MOUNTING BRKT-3/8 RAD L | LEFT |
| 8 | 106945 | WASHER FLAT SAE 1/4 ROHS | |
| 9 | 104399 | SHCS M6X1X45 12 MM PART THD | |
| 10 | 106978 | FHCS 1/4-28 X 7/8 ROHS | |
| 11 | 550350 | 3/4" CLMP ADJ FT PLT | |
| 12 | 106935 | NUT NYLOCK THIN 1/4-28 ROHS | |
| 13 | 104328 | POST HEEL LOOP | |
| 14A | 104380-001 | ADJUSTABLE FOOT REST STRAP | 12 - 14" WIDE |
| 14B | 104380-002 | ADJUSTABLE FOOT REST STRAP | 15 - 16" WIDE |
| 14C | 104380-003 | ADJUSTABLE FOOT REST STRAP | 17 - 18" WIDE |
| 14D | 104380-004 | ADJUSTABLE FOOT REST STRAP | 19 - 20" WIDE |
| 15 | 102268-001 | HHCS M6 X 1 X 25 | |
| 3-6,8,9 | 120659 | EXT MNT HARDWARE 1 SIDE | |
| 16-19 | 107485 | FOOTREST CLAMP ASSM | |
| 20 | 740260 | TOE-ANKLE STRAP ADJ ADULT FOOTPLATE | |
| >>>> | | 60,70,80 STD HANGERS - RIGHT | |
| 1A,2B,3-14A,15 | 111534 | AAA STRT SHT EXT ASM 12-13" W R | Right- 12-13" W- SHORT |
| 1A,2C,3-14B,15 | 107928 | AAA STRT SHT EXT ASM 14-15" W R | Right- 14-15" W- SHORT |
| 1A,2D,3-14C,15 | 107930 | AAA STRT SHT EXT ASM 16-17" W R | Right- 16-17" W- SHORT |
| 1A,2E,3-14D,15 | 107932 | AAA STRT SHT EXT ASM 18-22" W R | Right- 18-22" W- SHORT |
| >>>> | | 60,70,80 STD HANGERS - LEFT | |
| 1A,2B,3-14A,15 | 111535 | AAA STRT SHT EXT ASM 12-13" W L | Left- 12-13" W- SHORT |
| 1A,2C,3-14B,15 | 107935 | AAA STRT SHT EXT ASM 14" W L | Left- 14-15" W- SHORT |
| 1A,2D,3-14C,15 | 107937 | AAA STRT SHT EXT ASM 16" W L | Left- 16-17" W- SHORT |
| 1A,2E,3-14D,15 | 107939 | AAA STRT SHT EXT ASM 18" W L | Left- 18-22" W- SHORT |
| >>>> | | 60,70,80 & 60,70 HEMI HANGERS - RIGHT | |
| 1B,2B,3-14A,15 | 111536 | AAA STRT MED EXT ASM 12-13" W R | Right- 12-13" W- MED |
| 1B,2C,3-14B,15 | 107942 | AAA STRT MED EXT ASM 14-15" W R | Right- 14-15" W- MED |
| 1B,2D,3-14C,15 | 107944 | AAA STRT MED EXT ASM 16-17" W R | Right- 16-17" W- MED |
| 1B,2E,3-14D,15 | 107946 | AAA STRT MED EXT ASM 18-22" W R | Right- 18-22" W- MED |
| >>>> | | 60,70,80 & 60,70 HEMI HANGERS - LEFT | |
| 1B,2B,3-14A,15 | 111537 | AAA STRT MED EXT ASM 12-13" W L | Left- 12-13" W- MED |
| 1B,2C,3-14B,15 | 107949 | AAA STRT MED EXT ASM 14" W L | Left- 14-15" W- MED |
| 1B,2D,3-14C,15 | 107951 | AAA STRT MED EXT ASM 16" W L | Left- 16-17" W- MED |
| 1B,2E,3-14D,15 | 107953 | AAA STRT MED EXT ASM 18" W L | Left- 18-22" W- MED |
| >>>> | | 60,70,80 & 60,70 HEMI HANGERS - RIGHT | |
| 1C,2B,3-14A,15 | 111538 | AAA STRT LNG EXT ASM 12-13" W R | Right- 12-13" W- LONG |
| 1C,2C,3-14B,15 | 107956 | AAA STRT LNG EXT ASM 14 - 15" W R | Right- 14-15" W- LONG |

| Pos. | Item Number | Description | Remarks |
|----------------|-------------|----------------------------------------|-------------------------------------------------|
| 1C,2D,3-14C,15 | 107958 | AAA STRT LNG EXT ASM 16 -17" W R | Right- 16-17" W- LONG |
| 1C,2E,3-14D,15 | 107960 | AAA STRT LNG EXT ASM 18 -22" W R | Right- 18-22" W- LONG |
| >>>> | | 60,70,80 & 60,70 HEMI HANGERS - LEFT | |
| 1C,2B,3-14A,15 | 111539 | AAA STRT LNG EXT ASM 12-13" W L | Left- 12-13" W- LONG |
| 1C,2C,3-14B,15 | 107963 | AAA STRT LNG EXT ASM 14W L | Left- 14-15" W- LONG |
| 1C,2D,3-14C,15 | 107965 | AAA STRT LNG EXT ASM 16W L | Left- 16-17" W- LONG |
| 1C,2E,3-14D,15 | 107968 | AAA STRT LNG EXT ASM 18W L | Left- 18-22" W- LONG |
| >>>> | | 60&70 HEMI HANGERS - SHORT EXT - RIGHT | |
| 1D,2B,3-14A,15 | 129756 | AAA FOOT KIT SHT HNGR 12W R | Right- 12-13" W- SHORT; add Ext behind the Hemi |
| 1D,2C,3-14B,15 | 129758 | AAA FOOT KIT SHT HNGR 14W R | Right- 14-15" W- SHORT; add Ext behind the Hemi |
| 1D,2D,3-14C,15 | 129760 | AAA FOOT KIT SHT HNGR 16W R | Right- 16-17" W- SHORT; add Ext behind the Hemi |
| 1D,2E,3-14D,15 | 129762 | AAA FOOT KIT SHT HNGR 18W R | Right- 18-22" W- SHORT; add Ext behind the Hemi |
| >>>> | | 60&70 HEMI HANGERS - SHORT EXT -LEFT | |
| 1D,2B,3-14A,15 | 129757 | AAA FOOT KIT SHT HNGR 12W L | Left- 12-13" W-SHORT; add Ext behind the Hemi |
| 1D,2C,3-14B,15 | 129759 | AAA FOOT KIT SHT HNGR 14W L | Left- 14-15" W- SHORT; add Ext behind the Hemi |
| 1D,2D,3-14C,15 | 129761 | AAA FOOT KIT SHT HNGR 16W L | Left- 16-17" W- SHORT; add Ext behind the Hemi |
| 1D,2E,3-14D,15 | 129763 | AAA FOOT KIT SHT HNGR 18W L | Left- 18-22" W- SHORT; add Ext behind the Hemi |
| | | Ship assembled part # | Use with multiple assemblies |
| | ASSY-HNG-FP | HANGER/FOOTPLATE ASSY REQUIRED | add with Hanger & Footplate kit |

To request assembly of parts being ordered as a kit, please add "ASSY-HNG-FP" after ELR or ALR & Calf Pad parts are selected

ADD INSET FORMULA
 0" Inset (Seat Width) = Footrest Width
 1" Inset (Seat Width) -2" = Footrest Width
 2" Inset (Seat Width) -4" = Footrest Width
 "V" Hanger (Seat Width) -4" = Footrest Width
 Offset Hanger Receiver (Seat Width) +2" = Footrest Width
 Flared Frame (Seat Width) = 2" = Footrest Width



MEASURING GUIDE

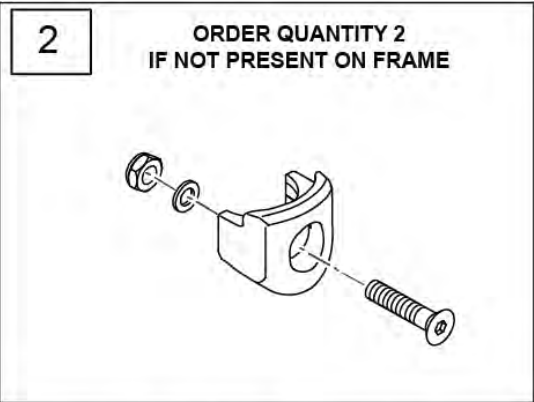
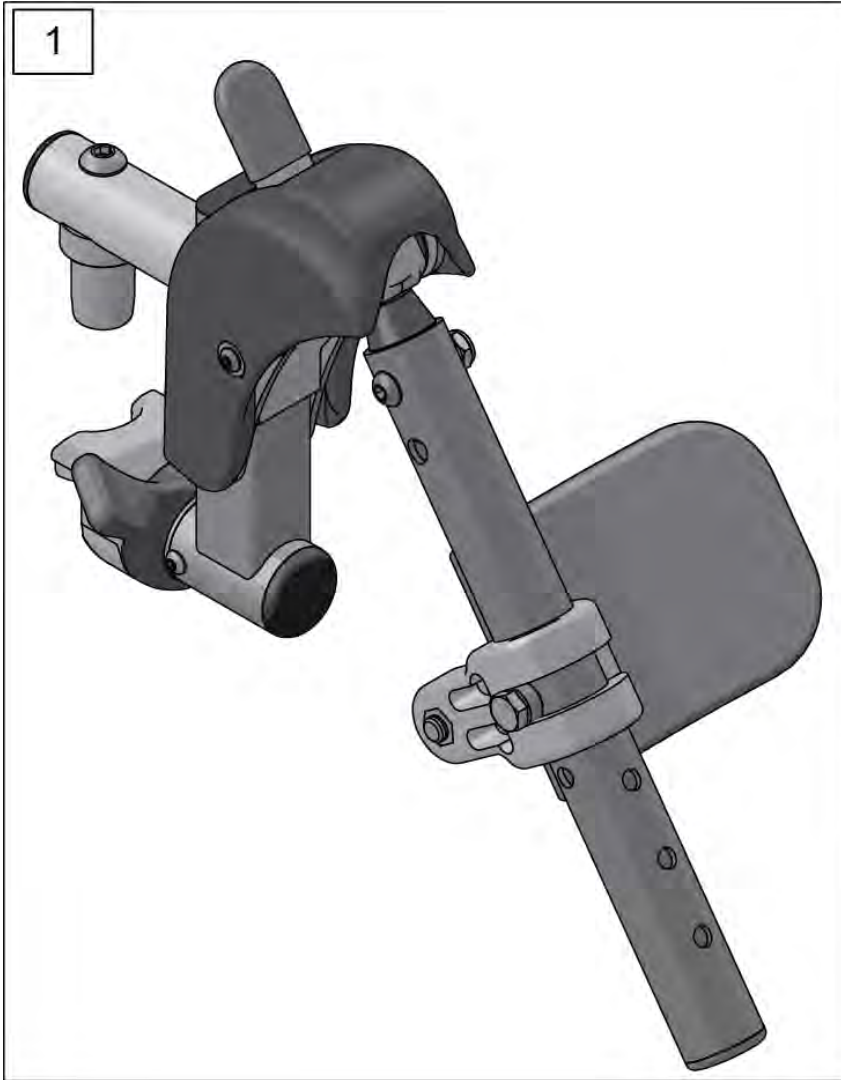
| | PART NUMBER | "A" |
|-------|-------------|---------|
| SHORT | 107126 | 8 1/4" |
| MED | 107127 | 10 1/4" |
| LONG | 107128 | 12 1/4" |

MEASURING GUIDE

| P/N | DESCRIPTION | "A" | "B" |
|--------|----------------------|-----|-----|
| 882337 | FOOTPLATE ELR 14-15" | 6" | 6" |
| 882338 | FOOTPLATE ELR 16-17" | 7" | 6" |
| 882339 | FOOTPLATE ELR 18-20" | 8" | 6" |

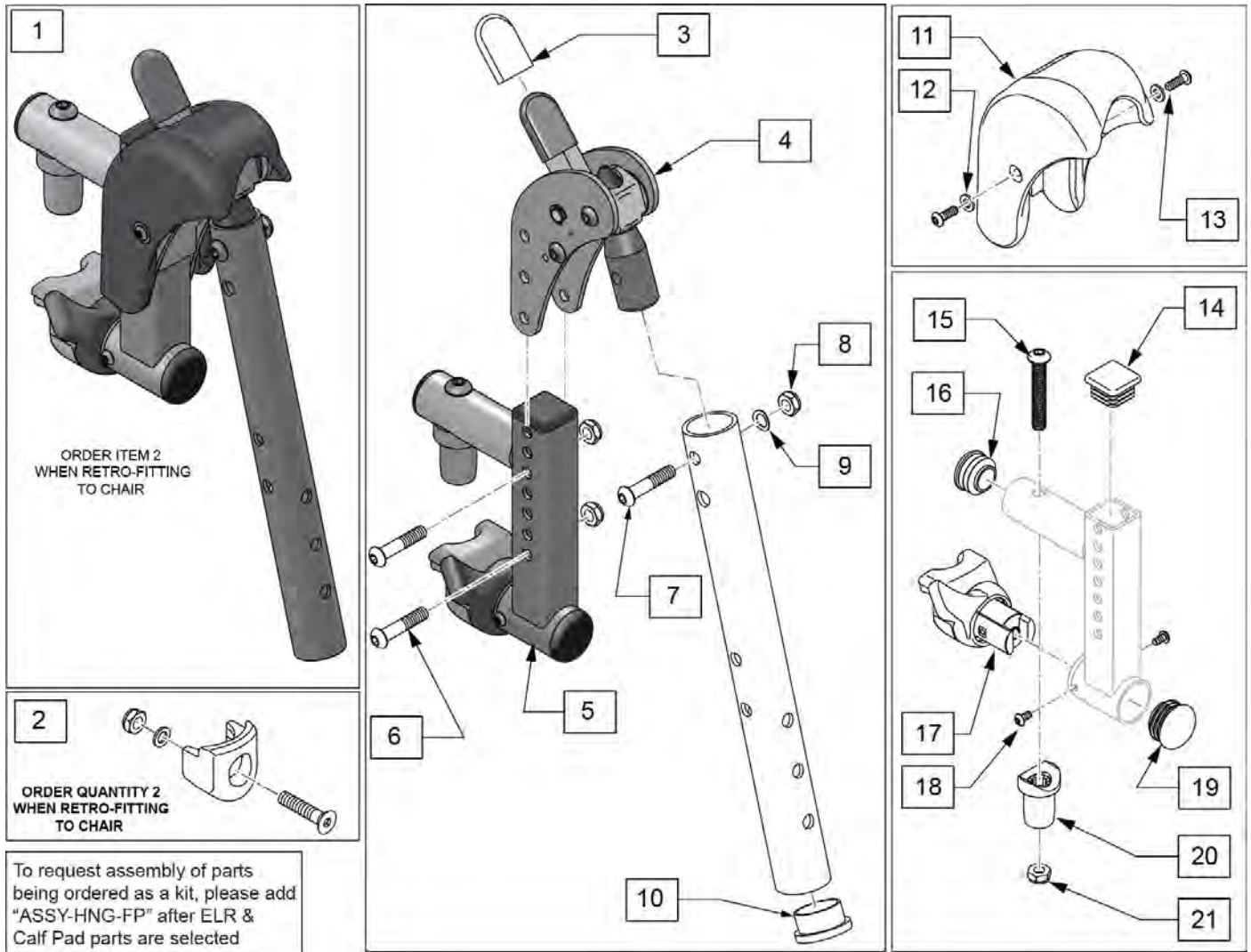
| Pos. | Item Number | Description | Remarks |
|----------|-------------|--------------------------------|------------------------------------------------------|
| 1 | 226090 | 1/4-28 x 5/8 BH C/S | |
| 2 | 118093 | BRACKET FOOTPLATE ALUM | |
| 3 | 102262-008 | BHCS M6 X 1 X 50 INORGANIC | |
| 4 | 281043 | #4 x 5/8 PAN PHIL S/TAP | |
| 5 | 560101 | END CAPS FOOTREST | |
| 7 | 107126 | SHORT BENT | |
| 7 | 107127 | MED BENT | |
| 7 | 107128 | LONG BENT | |
| 7 | 128078 | TUBE FOOTREST EXT SHT HEMI | Use for Hemi Extension option |
| 8 | 106935 | 1/4-28 NYLOCK NUT THIN | |
| 9 | 561003 | 3/4" SADDLE THIN | |
| 10 | 132626 | NUT AUTOMATION M6 X 1.0 | |
| 11 | 107383 | WASHER FLAT M6 ROHS | |
| 4,5,6A | 882337 | ELR FOOTPLATE ASSEMBLY 14 -15" | |
| 4,5,6B | 882338 | ELR FOOTPLATE ASSEMBLY 16 -17" | |
| 4,5,6C | 882339 | ELR FOOTPLATE ASSEMBLY 18 -20" | |
| 12-14 | 119495 | EXTENSION CLAMP KIT | |
| 1,3,8-11 | 129775 | ALU FOOTPLATE HDWARE KIT | Ext tube not included; bracket (118093) not included |
| | | Ship assembled part # | Use with multiple assemblies |

| Pos. | Item Number | Description | Remarks |
|-------------|--------------------|--------------------------------|---------------------------------|
| | ASSY-HNG-FP | HANGER/FOOTPLATE ASSY REQUIRED | add with Hanger & Footplate kit |



| Pos. | Item Number | Description | Remarks |
|------|-------------|--------------------------------|-----------------------------------------------------|
| 1 | 162048S | SWNG I/O ELR ASSM FM W/PAD | Kit includes both right & left sides with calf pads |
| 2 | 119514 | LATCH RECEIVER KIT | order qty 2 when retro-fitting to chair |
| | | Ship assembled part # | Use with multiple assemblies |
| | ASSY-HNG-FP | HANGER/FOOTPLATE ASSY REQUIRED | add with Hanger & Footplate kit |

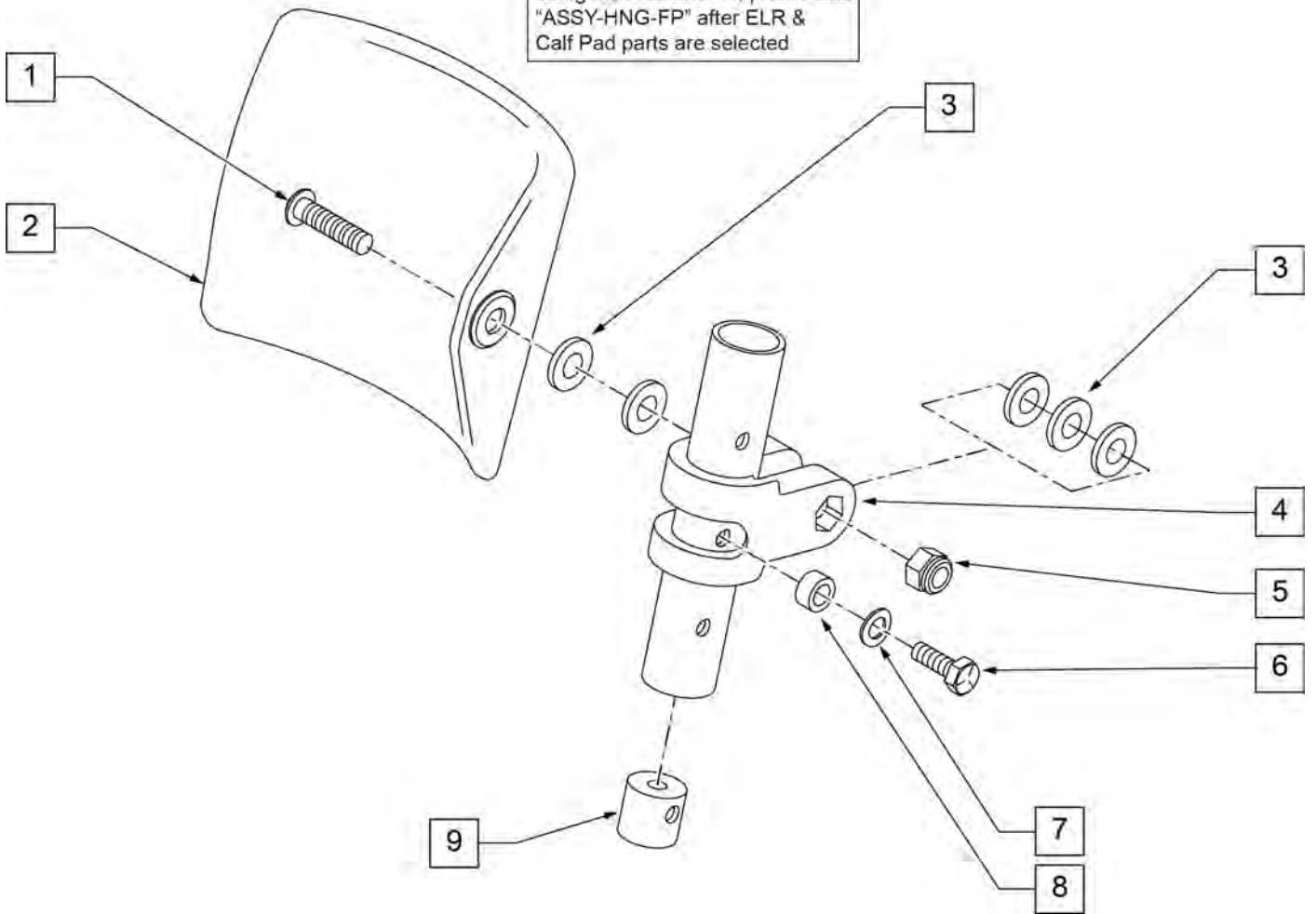
SWING IN-OUT FRONT MOUNT ELR REPLACEMENT PARTS (PLUNGER STYLE) (EFFECTIVE 2/6/17/2017)



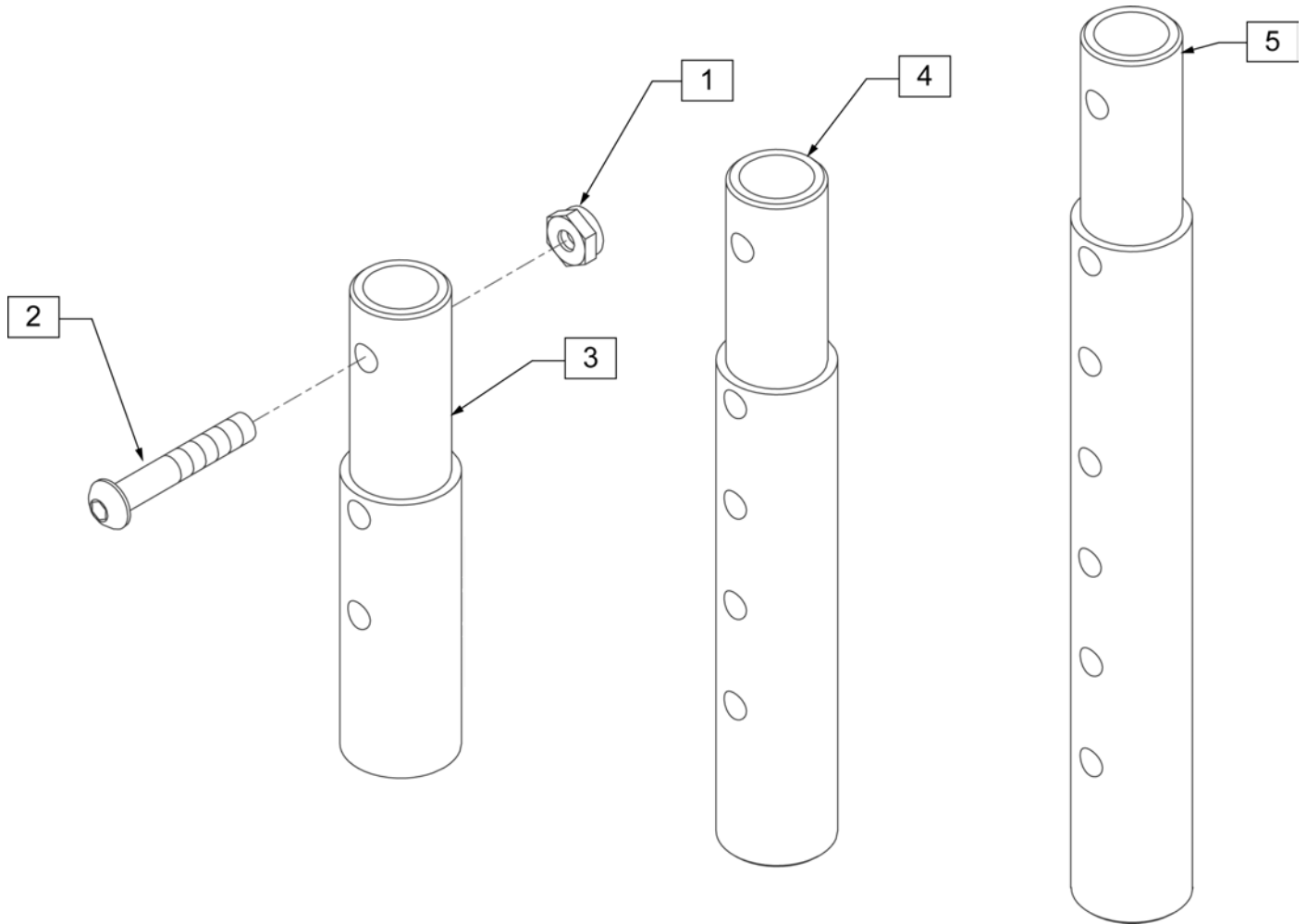
| Pos. | Item Number | Description | Remarks |
|-------|-------------|-------------------------------|-----------------------------------------|
| 1 | 162049S | SWNG I/O ELR ASSM FM LH | Left |
| 1 | 162050S | SWNG I/O ELR ASSM FM RH | Right |
| 2 | 119514 | LATCH RECEIVER KIT | order qty 2 when retro-fitting to chair |
| 3 | 560501 | ALR REL LEVER COVER | |
| 4 | 126992 | HEMI ELR SUB ASSM | |
| 5 | 134188 | RECEIVER ASSY ELR ALR RH | |
| 5 | 134186 | RECEIVER ASSY ELR ALR LH | |
| 6 | 108623 | BHCS 1/4-28 x 1-1/2 | |
| 7 | 106961 | BHCS 1/4 -28 x 1 1/4 ROHS | |
| 8 | 106935 | 1/4-28 NYLOCK NUT THIN BLK ZN | |
| 9 | 104414 | WAVE WASHER 6 MM | |
| 10 | 561002 | 1" INSERT PLUG .083 | |
| 12 | 113282 | WASHER FLAT AN #10 ROHS | |
| 13 | 127135 | BHCS 8-32 X 1/2 BLK | |
| 11-13 | 129640 | ELR SHROUD KIT | Kit w/ 2 screws |
| 14 | 010615 | SQUARE END CAP CNTR LEG | |
| 15 | 226217 | 5/16-18 X 2" BH C/S BLK | |
| 16 | 560110 | ENDPLUG BACKREST TNT | |
| 17,18 | 161243 | ELR/ALR HANGER LATCH KIT LH | Left |

| Pos. | Item Number | Description | Remarks |
|-------------|--------------------|--------------------------------|---------------------------------|
| 17,18 | 161242 | ELR/ALR HANGER LATCH KIT RH | Right |
| 19 | 561062 | 1" INSERT PLUG .065 RIBS | |
| 20 | 561197 | PLASTIC PIVOT SADDLE | |
| 21 | 202102 | 5/16-18 NYLOCK NUT THIN | |
| | | Ship assembled part # | Use with multiple assemblies |
| | ASSY-HNG-FP | HANGER/FOOTPLATE ASSY REQUIRED | add with Hanger & Footplate kit |

To request assembly of parts being ordered as a kit, please add "ASSY-HNG-FP" after ELR & Calf Pad parts are selected



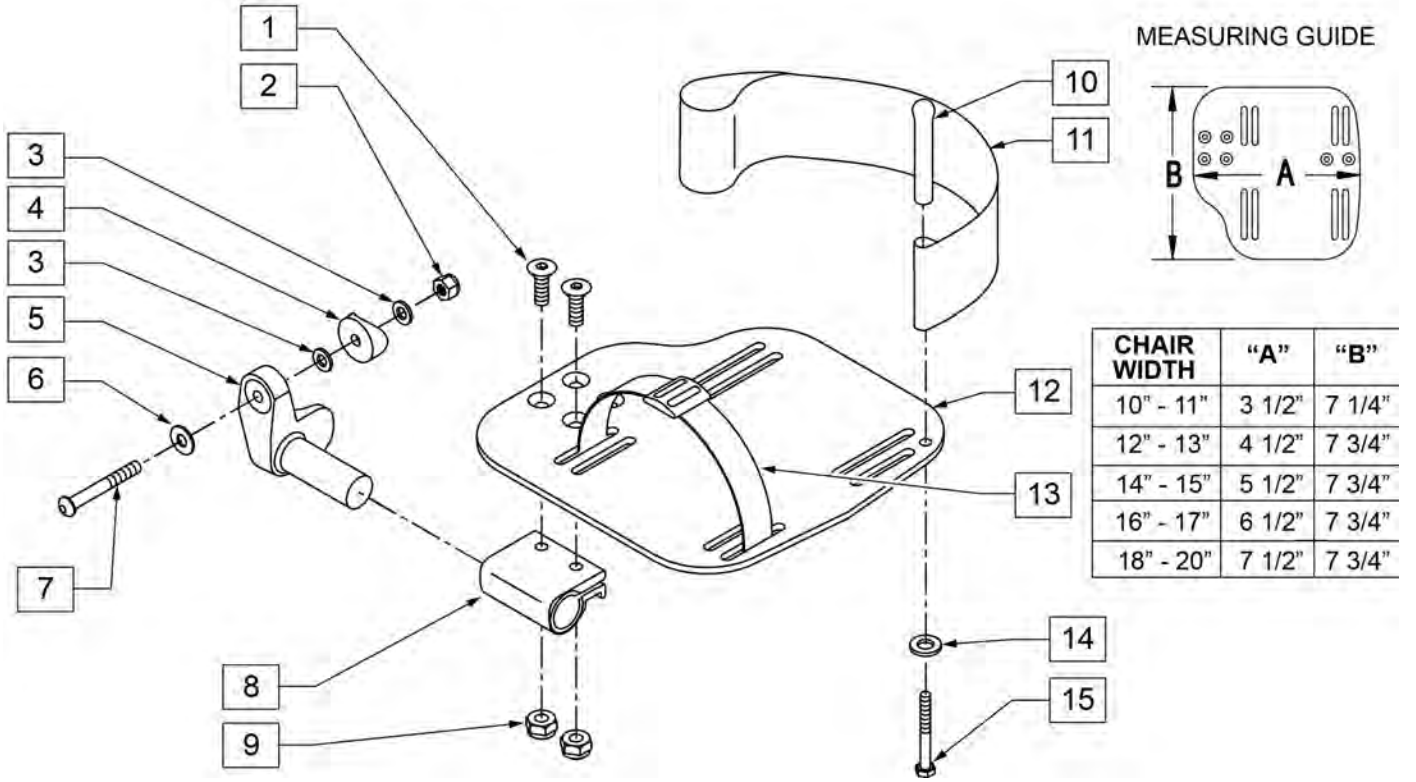
| Pos. | Item Number | Description | Remarks |
|------|-------------|--------------------------------|---------------------------------|
| 1 | 226217 | 5/16-18 x 2" BH C/S BLK | |
| 2 | 755013 | CALF PAD TROUGH STYLE KIDS | |
| 3 | 561016 | 1" WASHER 5/16" HOLE | |
| 4 | 561097 | ELR ELEVATING TUBE CLAMP | |
| 5 | 106937 | 5/16 -18 NYLOCK NUT THIN | |
| 6 | 106958 | HHCS 1/4-20 X 1 ROHS | |
| 7 | 262130 | 6mm WASHER WAVE | |
| 8 | 483027 | 1/4 x 1/4 ALUMINUM SPACER | |
| 9 | 500151 | KIDS ALR RETAINING PLUG | |
| 1-9 | 880533 | ELR TROUGH PAD ASSM KIDS | |
| | | Ship assembled part # | Use with multiple assemblies |
| | ASSY-HNG-FP | HANGER/FOOTPLATE ASSY REQUIRED | add with Hanger & Footplate kit |



| Pos. | Item Number | Description | Remarks |
|---------|-------------|-----------------------------------------|---------------|
| 1 | 106935 | NUT NYLOCK THIN 1/4 -28 ROHS | |
| 2 | 106961 | BHCS 1/4 -28 x 1 1/4 ROHS | |
| 1-3 | 111505 | 2" FOOTREST EXTENSION TUBE W/ HDWR ASSM | 2" EXT (PAIR) |
| 1, 2, 4 | 111506 | 4" FOOTREST EXTENSION TUBE W/ HDWR ASSM | 4" EXT (PAIR) |
| 1, 2, 5 | 111507 | 6" FOOTREST EXTENSION TUBE W/ HDWR ASSM | 6" EXT (PAIR) |

To have complete Footrest ship assembled, choose compatible Hanger + Footplate part numbers and add "ASSY-HNG-FP" to order

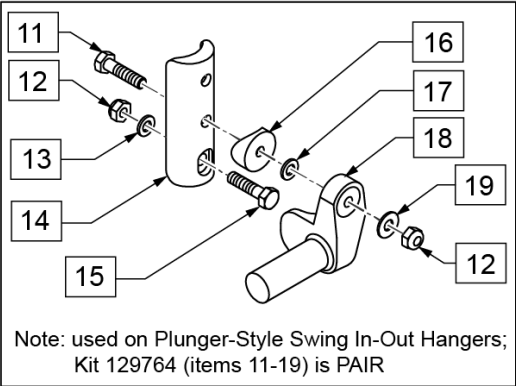
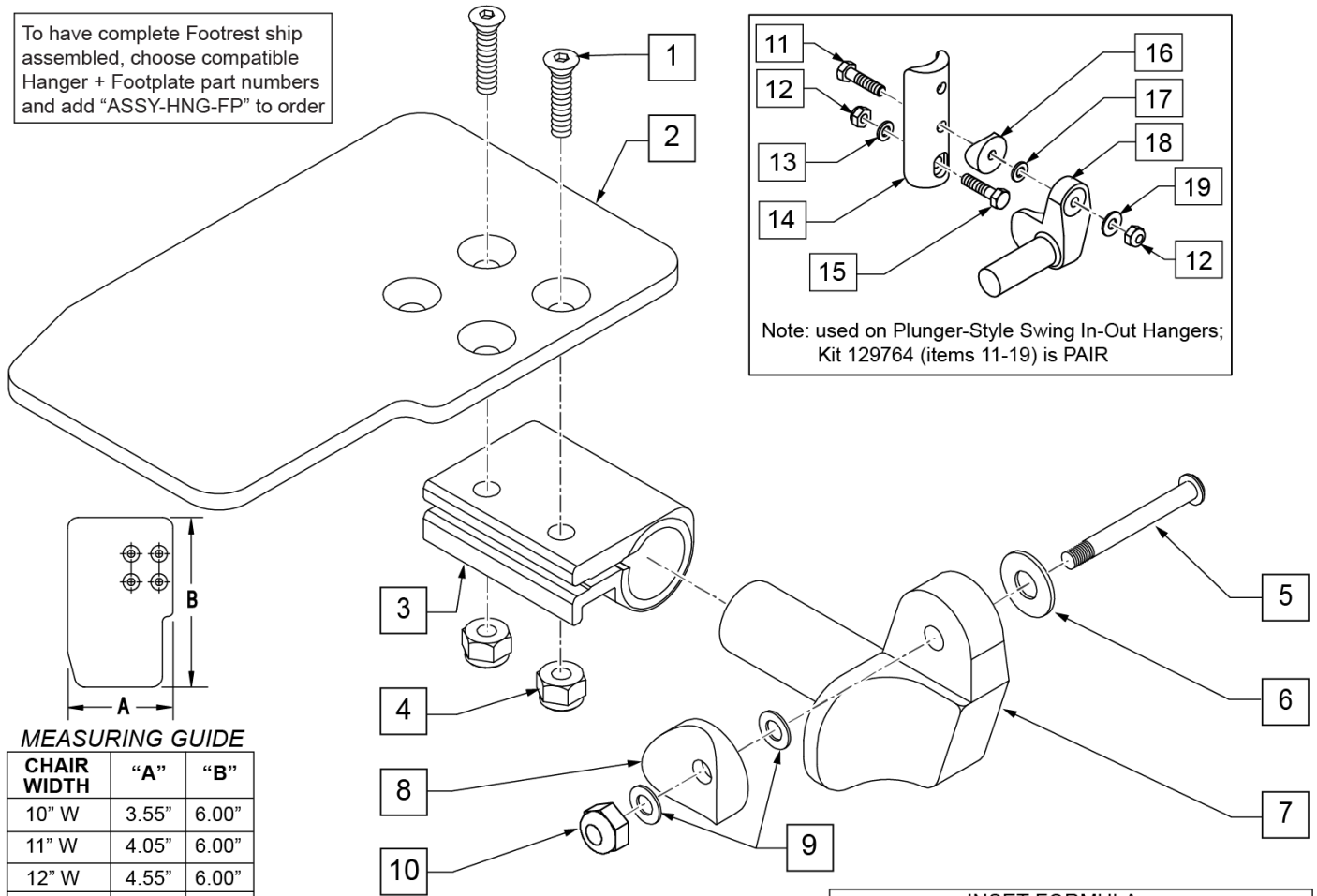
INSET FORMULA
 0" Inset (Seat Width) = Footrest Width
 1" Inset (Seat Width) - 2" = Footrest Width
 "V" Hanger (Seat Width) - 4" = Footrest Width
 Offset Hanger Receiver (Seat Width) + 2" = Footrest Width



| Pos. | Item Number | Description | Remarks |
|------|-------------|-------------------------------------|--------------------------------------------|
| 1 | 106978 | FHCS 1/4-28 X 7/8 ROHS | |
| 2 | 106941 | NUT AUTOMATION 1/4-28 ROHS | |
| 3 | 106943 | WASHER FLAT AN 1/4 ROHS | |
| 4 | 561004 | 1" SADDLE 1/4" HOLE | |
| 5 | 541000 | FOOTREST MOUNTING BRKT 1/2" RAD R | RIGHT |
| 5 | 541001 | FOOTREST MOUNTING BRKT 1/2" RAD L | LEFT |
| 6 | 106945 | WASHER FLAT SAE 1/4 ROHS | |
| 7 | 106964 | BHCS 1/4-28 X 2 | |
| 8 | 550350 | 3/4" CLAMP ADJ FOOTPLATE | |
| 9 | 106935 | NUT NYLOCK THIN 1/4-28 ROHS | |
| 10 | 561040 | HEEL LOOP PEG | |
| 11 | 741153 | HEEL LOOP 18-20 CMPST/14-15 ANG ADJ | USED W/ 14-15"/16-17" ADULT ANG ADJ FTPLTS |
| 11 | 741253 | HEEL LOOP ADLT ADJ F/PLT 18-20 | USED W/ 18 - 20" ADULT ANG ADJ FTPLTS |
| 12 | 500656 | ADULT ANGL ADJ F/PLT 10/11 | RIGHT |
| 12 | 500657 | ADULT ANGL ADJ F/PLT 10/11 | LEFT |
| 12 | 500658 | ADULT ANGL ADJ F/PLT 12/13 | RIGHT |
| 12 | 500659 | ADULT ANGL ADJ F/PLT 12/13 | LEFT |
| 12 | 500660 | ADULT ANGL ADJ F/PLT 14/15 | RIGHT |
| 12 | 500661 | ADULT ANGL ADJ F/PLT 14/15 | LEFT |
| 12 | 500662 | ADULT ANGL ADJ F/PLT 16/17 | RIGHT |
| 12 | 500663 | ADULT ANGL ADJ F/PLT 16/17 | LEFT |
| 12 | 500664 | ADULT ANGL ADJ F/PLT 18-20 | RIGHT |

| Pos. | Item Number | Description | Remarks |
|------------|-------------|-------------------------------------|---------------------------------|
| 12 | 500665 | ADULT ANGL ADJ F/PLT 18-20 | LEFT |
| 13 | 740260 | TOE-ANKLE STRAP ADJ ADULT FOOTPLATE | |
| 14 | 106943 | WASHER FLAT AN 1/4 ROHS | |
| 15 | 106958 | HHCS 1/4-20 X 1 ROHS | |
| 1-9,12 | 820544 | FP ADULT ADJ 90D 10/11 R | RIGHT |
| 1-9,12 | 820554 | FP ADULT ADJ 90D 10/11 L | LEFT |
| 1-9,12 | 820546 | FP ADULT ADJ 90D 12/13 R | RIGHT |
| 1-9,12 | 820556 | FP ADULT ADJ 90D 12/13 L | LEFT |
| 1-9,12 | 820472 | FP ADULT ADJ 90D 14/15 R | RIGHT |
| 1-9,12 | 820473 | FP ADULT ADJ 90D 14/15 L | LEFT |
| 1-9,12 | 820474 | FP ADULT ADJ 90D 16/17 R | RIGHT |
| 1-9,12 | 820475 | FP ADULT ADJ 90D 16/17 L | LEFT |
| 1-9,12 | 820476 | FP ADULT ADJ 90D 18-20 R | RIGHT |
| 1-9,12 | 820477 | FP ADULT ADJ 90D 18-20 L | LEFT |
| 1-9,12 | 921474 | ADULT ANGL ADJ 90D 10/11 OMIT H/L | PAIR |
| 1-9,12 | 921476 | ADULT ANGL ADJ 90D 12/13 OMIT H/L | PAIR |
| 1-9,12 | 921330 | ADULT ANGL ADJ 90D 14/15 OMIT H/L | PAIR |
| 1-9,12 | 921331 | ADULT ANGL ADJ 90D 16/17 OMIT H/L | PAIR |
| 1-9,12 | 921332 | ADULT ANGL ADJ 90D 18-20 OMIT H/L | PAIR |
| 1-12,14,15 | 820540 | F/PLT ADULT ADJ 90D 10/11 R W/ HL | RIGHT |
| 1-12,14,15 | 820550 | F/PLT ADULT ADJ 90D 10/11 L W/ HL | LEFT |
| 1-12,14,15 | 820542 | F/PLT ADULT ADJ 90D 12/13 R W/ HL | RIGHT |
| 1-12,14,15 | 820552 | F/PLT ADULT ADJ 90D 12/13 L W/ HL | LEFT |
| 1-12,14,15 | 820478 | F/PLT ADULT ADJ 90D 14/15 R W/ HL | RIGHT |
| 1-12,14,15 | 820479 | F/PLT ADULT ADJ 90D 14/15 L W/ HL | LEFT |
| 1-12,14,15 | 820480 | F/PLT ADULT ADJ 90D 16/17 R W/ HL | RIGHT |
| 1-12,14,15 | 820481 | F/PLT ADULT ADJ 90D 16/17 L W/ HL | LEFT |
| 1-12,14,15 | 820482 | F/PLT ADULT ADJ 90D 18-20 R W/ HL | RIGHT |
| 1-12,14,15 | 820483 | F/PLT ADULT ADJ 90D 18-20 L W/ HL | LEFT |
| 1-12,14,15 | 921470 | F/PLT ADULT ADJ 90D 10/11 W/ HL | PAIR |
| 1-12,14,15 | 921472 | F/PLT ADULT ADJ 90D 12/13 W/ HL | PAIR |
| 1-12,14,15 | 921333 | F/PLT ADULT ADJ 90D 14/15 W/ HL | PAIR |
| 1-12,14,15 | 921334 | F/PLT ADULT ADJ 90D 16/17 W/ HL | PAIR |
| 1-12,14,15 | 921335 | F/PLT ADULT ADJ 90D 18-20 W/ HL | PAIR |
| | | Ship assembled part # | Use with multiple assemblies |
| | ASSY-HNG-FP | HANGER/FOOTPLATE ASSY REQUIRED | add with Hanger & Footplate kit |

To have complete Footrest ship assembled, choose compatible Hanger + Footplate part numbers and add "ASSY-HNG-FP" to order



MEASURING GUIDE

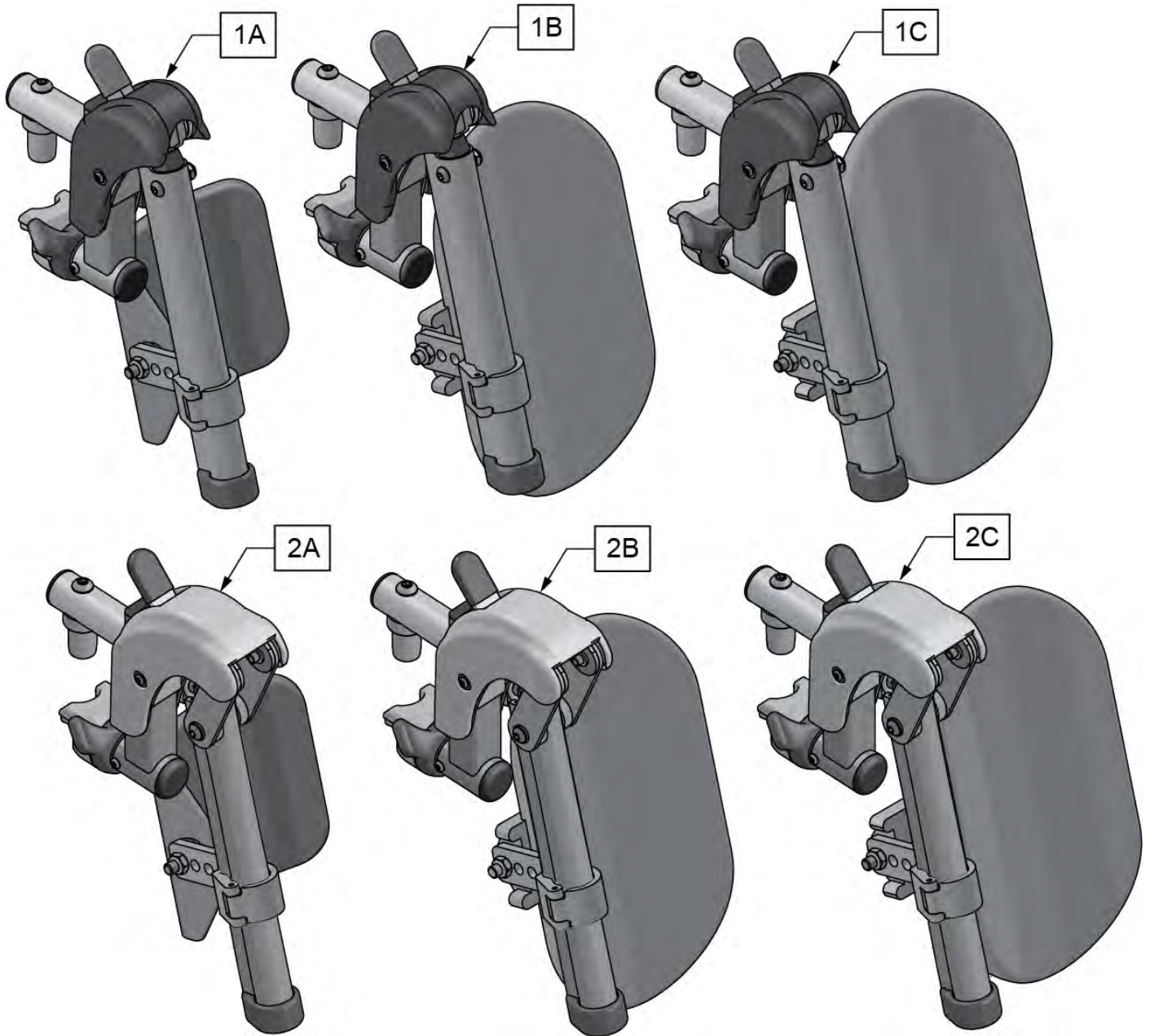
| CHAIR WIDTH | "A" | "B" |
|-------------|-------|-------|
| 10" W | 3.55" | 6.00" |
| 11" W | 4.05" | 6.00" |
| 12" W | 4.55" | 6.00" |
| 13" W | 5.05" | 6.00" |
| 14" W | 5.55" | 6.00" |
| 15" W | 6.05" | 6.00" |
| 16" W | 6.55" | 6.00" |

INSET FORMULA
 0" Inset (Seat Width) = Footrest Width
 1" Inset (Seat Width) -2" = Footrest Width
 "V" Hanger (Seat Width) -4" = Footrest Width
 Offset Hanger Receiver (Seat Width) +2" = Footrest Width

| Pos. | Item Number | Description | Remarks |
|------|-------------|-----------------------------|---------|
| 1 | 106978 | FHCS 1/4-28 X 7/8 ROHS | |
| 2 | 500635 | KIDS ANGL ADJ F/PLT 10 | RIGHT |
| 2 | 500636 | KIDS ANGL ADJ F/PLT 10 | LEFT |
| 2 | 500637 | KIDS ANGL ADJ F/PLT 11 | RIGHT |
| 2 | 500638 | KIDS ANGL ADJ F/PLT 11 | LEFT |
| 2 | 500639 | KIDS ANGL ADJ F/PLT 12 | RIGHT |
| 2 | 500640 | KIDS ANGL ADJ F/PLT 12 | LEFT |
| 2 | 500641 | KIDS ANGL ADJ F/PLT 13 | RIGHT |
| 2 | 500642 | KIDS ANGL ADJ F/PLT 13 | LEFT |
| 2 | 500643 | KIDS ANGL ADJ F/PLT 14 | RIGHT |
| 2 | 500644 | KIDS ANGL ADJ F/PLT 14 | LEFT |
| 2 | 500645 | KIDS ANGL ADJ F/PLT 15 | RIGHT |
| 2 | 500646 | KIDS ANGL ADJ F/PLT 15 | LEFT |
| 2 | 500647 | KIDS ANGL ADJ F/PLT 16 | RIGHT |
| 2 | 500648 | KIDS ANGL ADJ F/PLT 16 | LEFT |
| 3 | 550350 | 3/4 CLAMP ADJ FOOTPLATE | |
| 4 | 106935 | NUT NYLOCK THIN 1/4-28 ROHS | |
| 5 | 226147 | 1/4-28 X 1.85 BH C/S BLK ZN | |

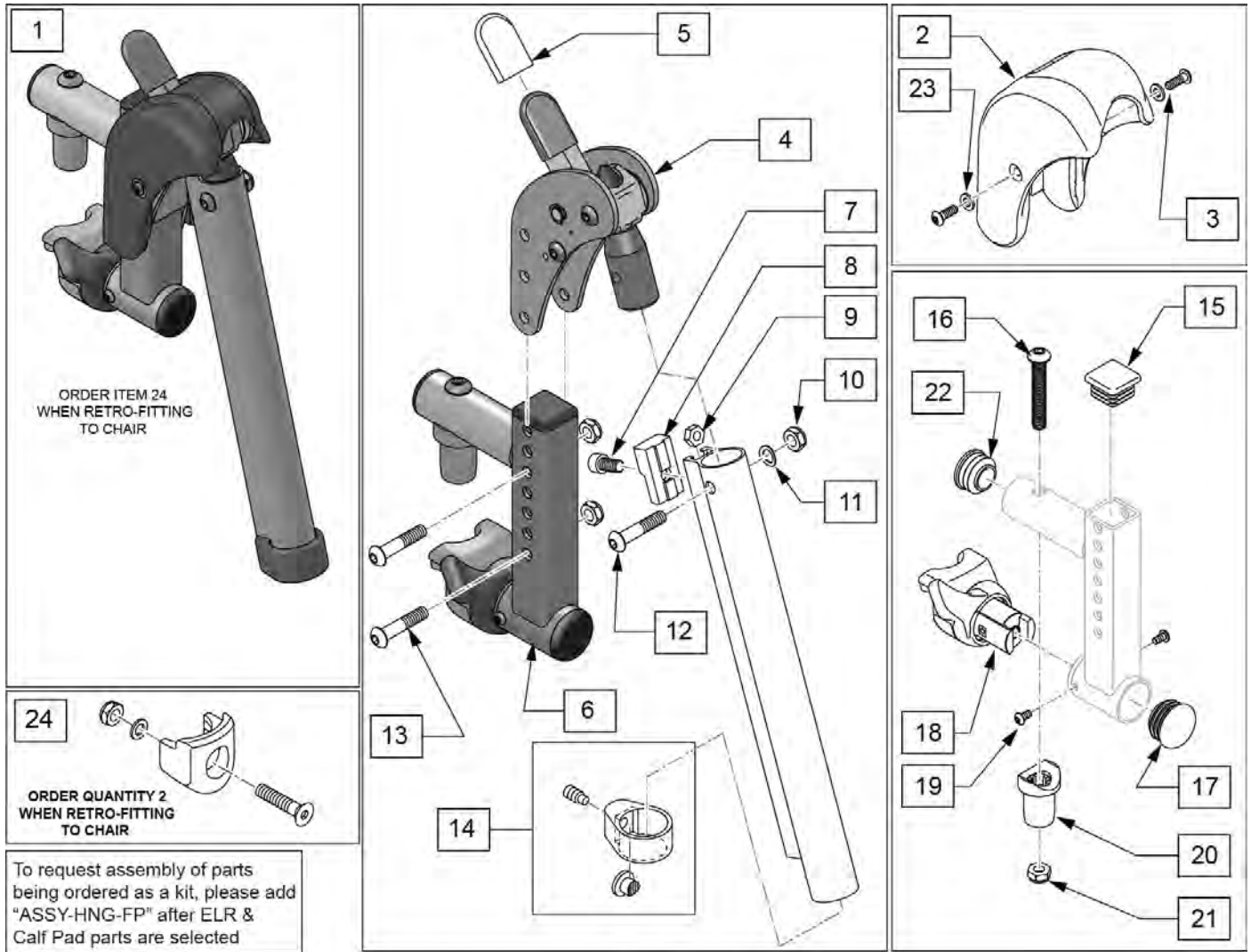
| Pos. | Item Number | Description | Remarks |
|------|-------------|--------------------------------|--------------------------------------------------------------------------------|
| 6 | 106945 | WASHER FLAT SAE 1/4 ROHS | |
| 7 | 541000 | FTRST MOUNTING BRKT 1/2" RAD R | RIGHT |
| 7 | 541001 | FTRST MOUNTING BRKT 1/2" RAD L | LEFT |
| 8 | 561004 | 1 SADDLE 1/4 HOLE | |
| 9 | 106943 | WASHER FLAT THIN AN 1/4 | |
| 10 | 106941 | NUT AUTOMATION 1/4-28 ROHS | |
| 11 | 102268-001 | HHCS M6 X 1 X 25 | |
| 12 | 132626 | NUT AUTOMATION M6 X 1.0 ROHS | |
| 13 | 107383 | WASHER FLAT M6 ROHS | |
| 15 | 118198 | HHCS M6 X 1 X 40 PART NP | |
| 16 | 561004 | 1" SADDLE 1/4" HOLE | |
| 17 | 106943 | WASHER FLAT AN 1/4 ROHS | |
| 19 | 106945 | WASHER FLAT SAE 1/4 ROHS | |
| 1-4 | 158632 | CAA F/PLT KIT 10 RT | RIGHT; used with Front Mount Adapter Kit on Plunger-Style Swing In/Out Hangers |
| 1-4 | 158633 | CAA F/PLT KIT 10 LT | LEFT; used with Front Mount Adapter Kit on Plunger-Style Swing In/Out Hangers |
| 1-4 | 158634 | CAA F/PLT KIT 11 RT | RIGHT; used with Front Mount Adapter Kit on Plunger-Style Swing In/Out Hangers |
| 1-4 | 158635 | CAA F/PLT KIT 11 LT | LEFT; used with Front Mount Adapter Kit on Plunger-Style Swing In/Out Hangers |
| 1-4 | 158636 | CAA F/PLT KIT 12 RT | RIGHT; used with Front Mount Adapter Kit on Plunger-Style Swing In/Out Hangers |
| 1-4 | 158637 | CAA F/PLT KIT 12 LT | LEFT; used with Front Mount Adapter Kit on Plunger-Style Swing In/Out Hangers |
| 1-4 | 158638 | CAA F/PLT KIT 13 RT | RIGHT; used with Front Mount Adapter Kit on Plunger-Style Swing In/Out Hangers |
| 1-4 | 158639 | CAA F/PLT KIT 13 LT | LEFT; used with Front Mount Adapter Kit on Plunger-Style Swing In/Out Hangers |
| 1-4 | 158640 | CAA F/PLT KIT 14 RT | RIGHT; used with Front Mount Adapter Kit on Plunger-Style Swing In/Out Hangers |
| 1-4 | 158641 | CAA F/PLT KIT 14 LT | LEFT; used with Front Mount Adapter Kit on Plunger-Style Swing In/Out Hangers |
| 1-4 | 158642 | CAA F/PLT KIT 15 RT | RIGHT; used with Front Mount Adapter Kit on Plunger-Style Swing In/Out Hangers |
| 1-4 | 158643 | CAA F/PLT KIT 15 LT | LEFT; used with Front Mount Adapter Kit on Plunger-Style Swing In/Out Hangers |
| 1-4 | 158644 | CAA F/PLT KIT 16 RT | RIGHT; used with Front Mount Adapter Kit on Plunger-Style Swing In/Out Hangers |
| 1-4 | 158645 | CAA F/PLT KIT 16 LT | LEFT; used with Front Mount Adapter Kit on Plunger-Style Swing In/Out Hangers |
| 1-10 | 828821 | KIDS ANG ADJ F/PLT ASSM 10 | RIGHT; used with Old-Style Latch Block Swing In/Out & S/A Hangers |
| 1-10 | 828822 | KIDS ANG ADJ F/PLT ASSM 10 | LEFT; used with Old-Style Latch Block Swing In/Out & S/A Hangers |
| 1-10 | 828823 | KIDS ANG ADJ F/PLT ASSM 11 | RIGHT; used with Old-Style Latch Block Swing In/Out & S/A Hangers |
| 1-10 | 828824 | KIDS ANG ADJ F/PLT ASSM 11 | LEFT; used with Old-Style Latch Block Swing In/Out & S/A Hangers |
| 1-10 | 828825 | KIDS ANG ADJ F/PLT ASSM 12 | RIGHT; used with Old-Style Latch Block Swing In/Out & S/A Hangers |
| 1-10 | 828826 | KIDS ANG ADJ F/PLT ASSM 12 | LEFT; used with Old-Style Latch Block Swing In/Out & S/A Hangers |
| 1-10 | 828827 | KIDS ANG ADJ F/PLT ASSM 13 | RIGHT; used with Old-Style Latch Block Swing In/Out & S/A Hangers |
| 1-10 | 828828 | KIDS ANG ADJ F/PLT ASSM 13 | LEFT; used with Old-Style Latch Block Swing In/Out & S/A Hangers |
| 1-10 | 828829 | KIDS ANG ADJ F/PLT ASSM 14 | RIGHT; used with Old-Style Latch Block Swing In/Out & S/A Hangers |
| 1-10 | 828830 | KIDS ANG ADJ F/PLT ASSM 14 | LEFT; used with Old-Style Latch Block Swing In/Out & S/A Hangers |
| 1-10 | 828831 | KIDS ANG ADJ F/PLT ASSM 15 | RIGHT; used with Old-Style Latch Block Swing In/Out & S/A Hangers |
| 1-10 | 828832 | KIDS ANG ADJ F/PLT ASSM 15 | LEFT; used with Old-Style Latch Block Swing In/Out & S/A Hangers |

| Pos. | Item Number | Description | Remarks |
|-------|-------------|--------------------------------|-------------------------------------------------------------------|
| 1-10 | 828833 | KIDS ANG ADJ F/PLT ASSM 16 | RIGHT; used with Old-Style Latch Block Swing In/Out & S/A Hangers |
| 1-10 | 828834 | KIDS ANG ADJ F/PLT ASSM 16 | LEFT; used with Old-Style Latch Block Swing In/Out & S/A Hangers |
| 1-10 | 921226 | KIDS ANG ADJ F/PLT ASSM 10 | PAIR; used with Old-Style Latch Block Swing In/Out & S/A Hangers |
| 1-10 | 921227 | KIDS ANG ADJ F/PLT ASSM 11 | PAIR; used with Old-Style Latch Block Swing In/Out & S/A Hangers |
| 1-10 | 921228 | KIDS ANG ADJ F/PLT ASSM 12 | PAIR; used with Old-Style Latch Block Swing In/Out & S/A Hangers |
| 1-10 | 921229 | KIDS ANG ADJ F/PLT ASSM 13 | PAIR; used with Old-Style Latch Block Swing In/Out & S/A Hangers |
| 1-10 | 921230 | KIDS ANG ADJ F/PLT ASSM 14 | PAIR; used with Old-Style Latch Block Swing In/Out & S/A Hangers |
| 1-10 | 921231 | KIDS ANG ADJ F/PLT ASSM 15 | PAIR; used with Old-Style Latch Block Swing In/Out & S/A Hangers |
| 1-10 | 921232 | KIDS ANG ADJ F/PLT ASSM 16 | PAIR; used with Old-Style Latch Block Swing In/Out & S/A Hangers |
| 11-19 | 129764 | AAA FRNT MNT ADAPTER KIT PR | AAA FRNT MNT fits both Kids and Adult Angle Adjustable Footplates |
| | | Ship assembled part # | Use with multiple assemblies |
| | ASSY-HNG-FP | HANGER/FOOTPLATE ASSY REQUIRED | add with Hanger & Footplate kit |



| Pos. | Item Number | Description | Remarks |
|------|-------------|--------------------------------|---------------------------------|
| 1A | 161233S | SWNG I/O ELR ASM 14-15 W/PAD | Pair |
| 1B | 161234S | SWNG I/O ELR ASM 16-17 W/PAD | Pair |
| 1C | 161235S | SWNG I/O ELR ASM 18-20 W/PAD | Pair |
| 2A | 161236S | SWNG I/O ALR ASM 14-15 W/PAD | Pair |
| 2B | 161237S | SWNG I/O ALR ASM 16-17 W/PAD | Pair |
| 2C | 161238S | SWNG I/O ALR ASM 18-20 W/PAD | Pair |
| | | Ship assembled part # | Use with multiple assemblies |
| | ASSY-HNG-FP | HANGER/FOOTPLATE ASSY REQUIRED | add with Hanger & Footplate kit |

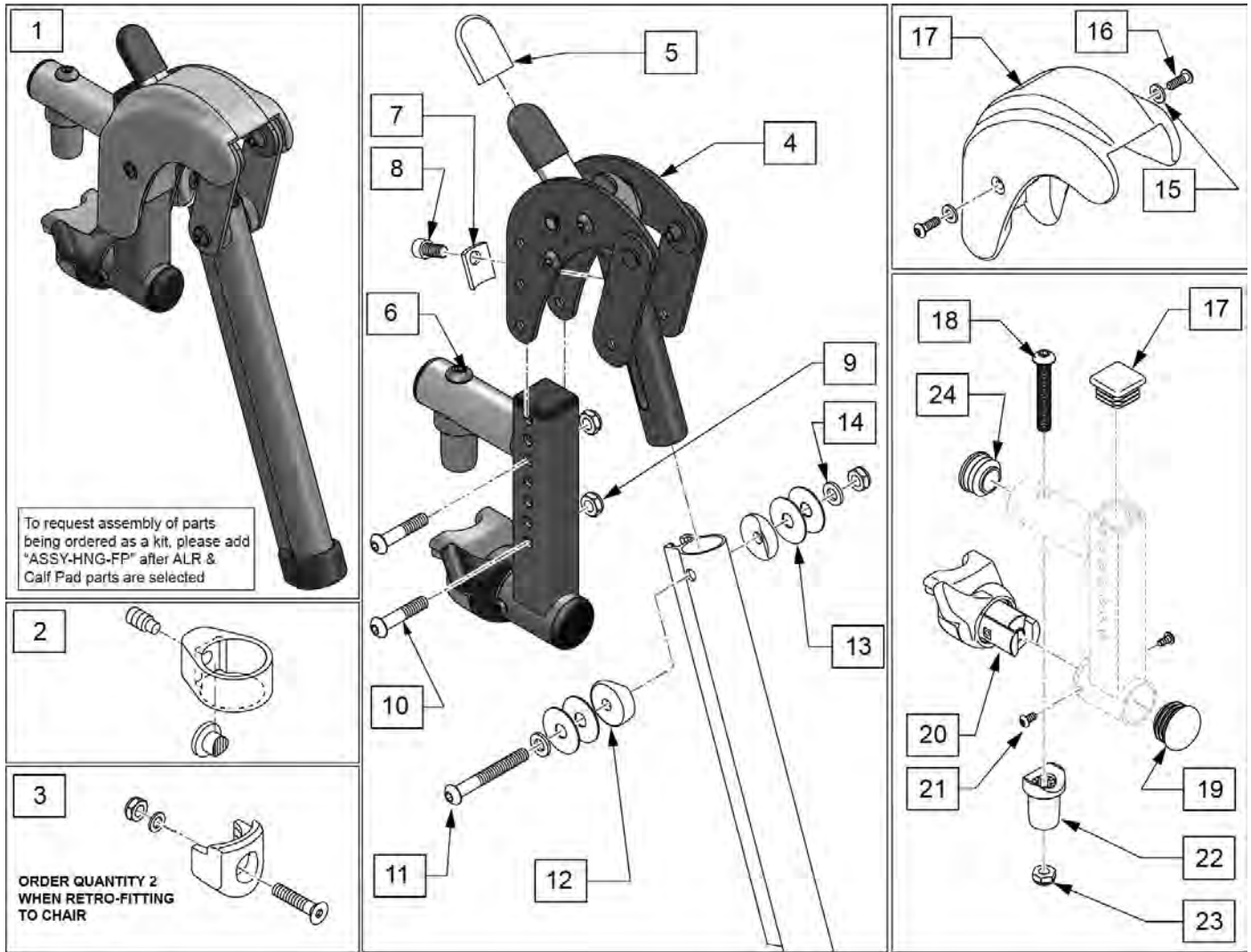
SWING IN-OUT EXT MOUNT ELR REPLACEMENT PARTS (PLUNGER STYLE) (EFFECTIVE 2/6/17)[7/2016]



| Pos. | Item Number | Description | Remarks |
|--------|-------------|-------------------------------|-----------------|
| 1 | 161239S | SWNG I/O ELR ASSM RH | Right |
| 1 | 161240S | SWNG I/O ELR ASSM LH | Left |
| 1 | 161241S | SWNG I/O ELR ASSM PR | Pair |
| 2,3,23 | 129640 | ELR SHROUD KIT | Kit w/ 2 screws |
| 3 | 127135 | BHCS 8-32 X 1/2 BLK | |
| 4 | 126992 | HEMI ELR SUB ASSM | |
| 5 | 560501 | ALR REL LEVER COVER | |
| 6 | 134188 | RECEIVER ASSY ELR ALR RH | |
| 6 | 134186 | RECEIVER ASSY ELR ALR LH | |
| 7 | 107350 | SHCS 1/4-28 x 1/2 | |
| 8 | 127129 | ANGLE STOP ELR | |
| 9 | 107249 | NUT HEX THIN 1/4-28 | |
| 10 | 106935 | 1/4-28 NYLOCK NUT THIN BLK ZN | |
| 11 | 104414 | WAVE WASHER 6 MM | |
| 12 | 106961 | BHCS 1/4 -28 x 1 1/4 ROHS | |
| 13 | 108623 | BHCS 1/4-28 x 1-1/2 | |
| 14 | 119495 | EXTENSION CLAMP KIT | |
| 15 | 010615 | SQUARE END CAP CNTR LEG | |
| 16 | 226217 | 5/16-18 X 2" BH C/S BLK | |

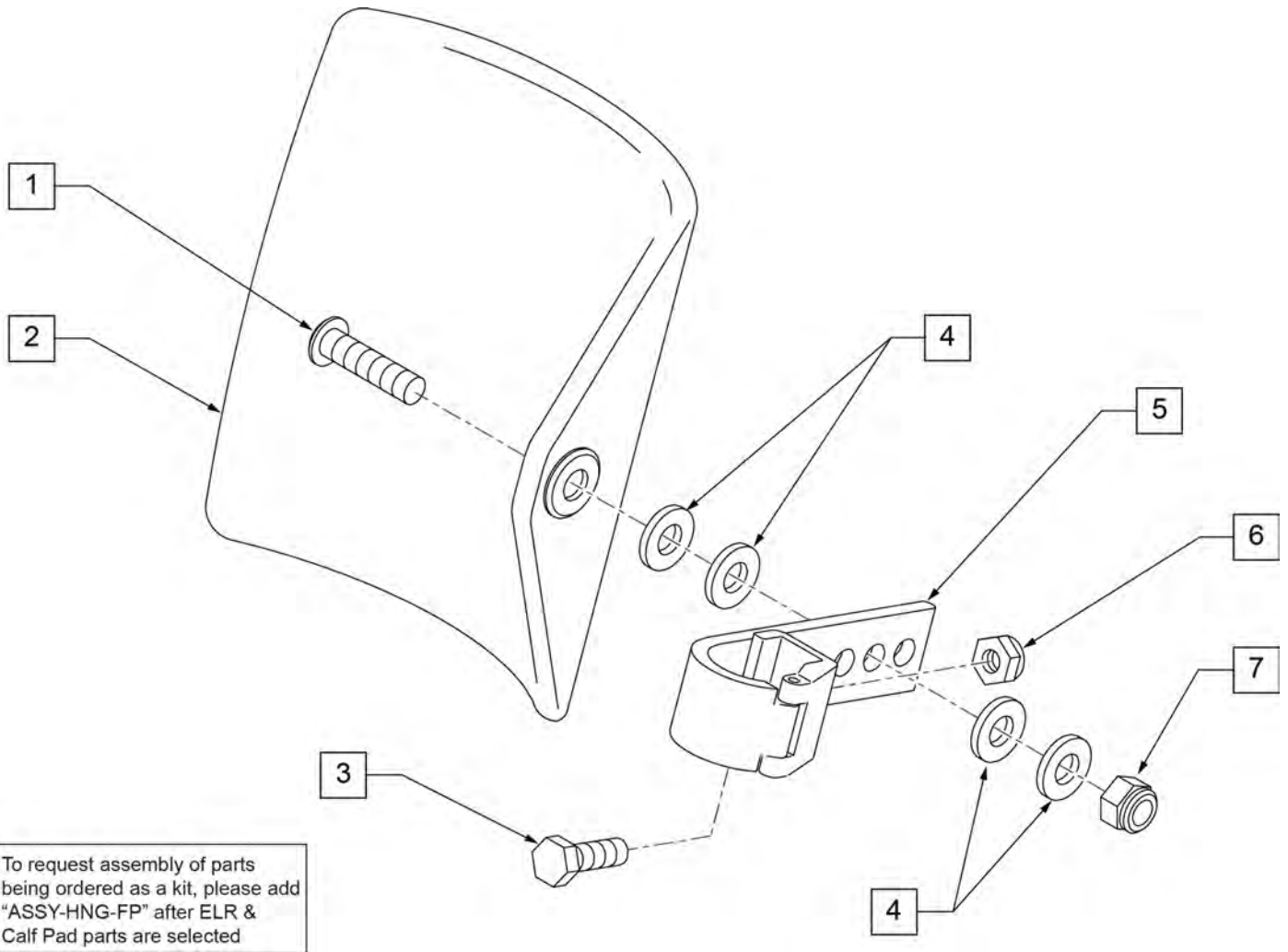
| Pos. | Item Number | Description | Remarks |
|-------|-------------|--------------------------------|-----------------------------------------|
| 17 | 561062 | 1" INSERT PLUG .065 RIBS | |
| 18,19 | 161242 | ELR/ALR HANGER LATCH KIT RH | Right |
| 18,19 | 161243 | ELR/ALR HANGER LATCH KIT LH | Left |
| 20 | 561197 | PLASTIC PIVOT SADDLE | |
| 21 | 202102 | 5/16-18 NYLOCK NUT THIN | |
| 22 | 560110 | ENDPLUG BACKREST TNT | |
| 23 | 113282 | WASHER FLAT AN #10 ROHS | |
| 24 | 119514 | LATCH RECEIVER KIT | order qty 2 when retro-fitting to chair |
| | | Ship assembled part # | Use with multiple assemblies |
| | ASSY-HNG-FP | HANGER/FOOTPLATE ASSY REQUIRED | add with Hanger & Footplate kit |

SWING IN-OUT ALR EXT MOUNT REPLACEMENT PARTS (PLUNGER STYLE) (EFFECTIVE 2/6/17) [3/2017]

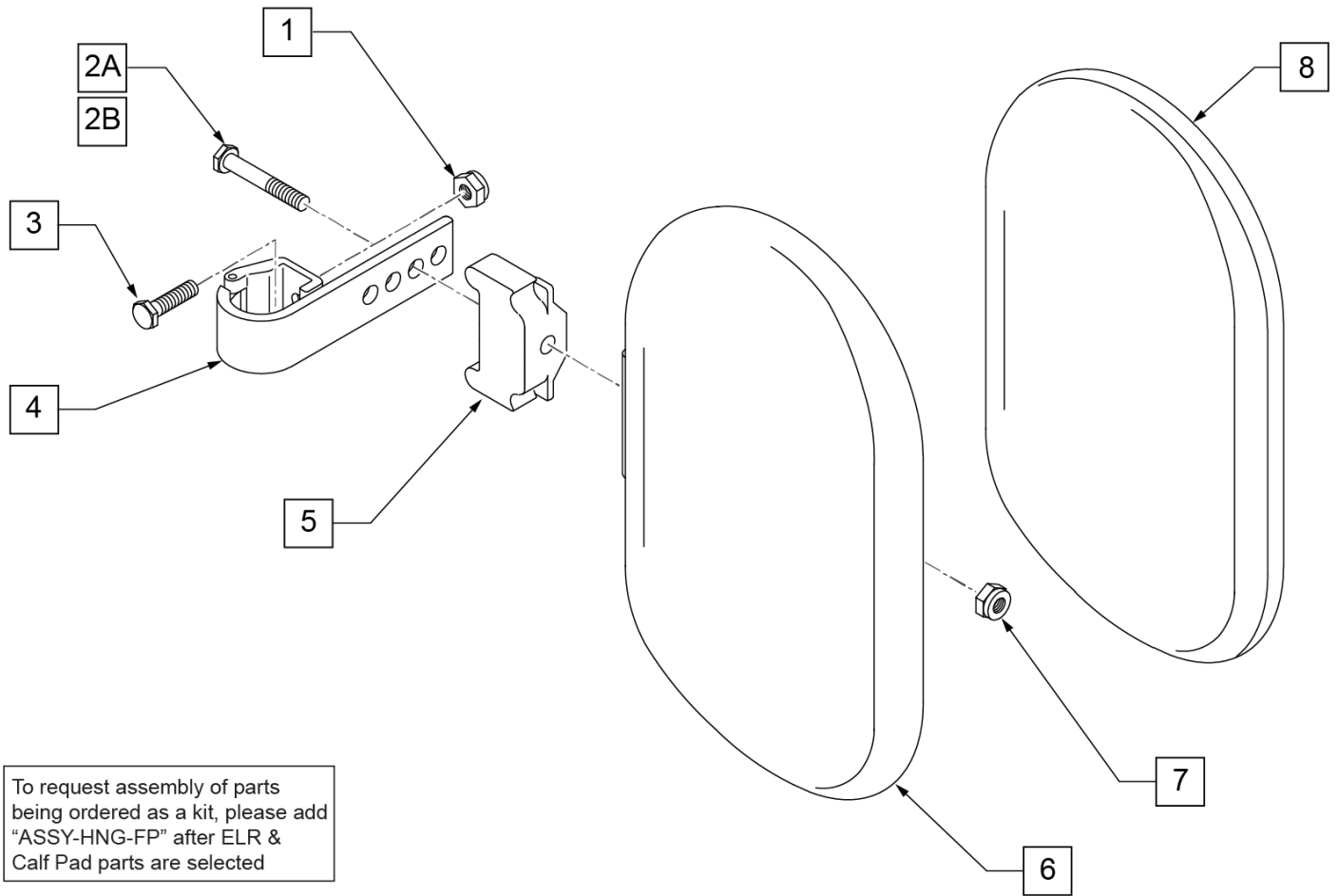


| Pos. | Item Number | Description | Remarks |
|------|-------------|-------------------------------|-----------------------------------------|
| 1 | 161244S | SWNG I/O ALR ASSM RH KIT | Right |
| 1 | 161245S | SWNG I/O ALR ASSM LH KIT | Left |
| 1 | 161246S | SWNG I/O ALR ASSM PR KIT | Pair |
| 2 | 119495 | EXTENSION CLAMP KIT | |
| 3 | 119514 | LATCH RECEIVER KIT | order qty 2 when retro-fitting to chair |
| 4 | 127153 | HEMI ALR SUB ASSM | |
| 5 | 560501 | ALR REL LEVER COVER | |
| 6 | 134188 | RECEIVER ASSY ELR ALR RH | |
| 6 | 134186 | RECEIVER ASSY ELR ALR LH | |
| 7 | 127129 | ANGLE STOP ELR | |
| 8 | 107350 | SHCS 1/4-28 x 1/2 | |
| 9 | 106935 | 1/4-28 NYLOCK NUT THIN BLK ZN | |
| 10 | 108623 | BHCS 1/4-28 x 1-1/2 | |
| 11 | 106964 | BHCS 1/4-28 X 2 | |
| 12 | 561086 | 1" HALF SADDLE 1/4" HOLE | |
| 13 | 113268 | WASHER NYLON 1IN OD X .312 ID | |
| 14 | 106943 | WASHER FLAT AN 1/4 ROHS | |
| 15 | 113282 | WASHER FLAT AN #10 ROHS | |
| 16 | 127135 | BHCS 8-32 X 1/2 BLK | |

| Pos. | Item Number | Description | Remarks |
|-------|-------------|--------------------------------|---------------------------------|
| 15-17 | 129633 | ALR SHROUD KIT | 1 side |
| 18 | 226217 | 5/16-18 X 2" BH C/S BLK | |
| 19 | 560110 | ENDPLUG BACKREST TNT | |
| 20,21 | 161242 | ELR/ALR HANGER LATCH KIT RH | Right |
| 20,21 | 161243 | ELR/ALR HANGER LATCH KIT LH | Left |
| 22 | 561197 | PLASTIC PIVOT SADDLE | |
| 23 | 202102 | 5/16-18 NYLOCK NUT THIN | |
| 24 | 561062 | 1" INSERT PLUG .065 RIBS | |
| 25 | 010615 | SQUARE END CAP CNTR LEG | |
| | | Ship assembled part # | Use with multiple assemblies |
| | ASSY-HNG-FP | HANGER/FOOTPLATE ASSY REQUIRED | add with Hanger & Footplate kit |



| Pos. | Item Number | Description | Remarks |
|------|-------------|----------------------------------|---------------------------------|
| 1 | 106980 | BHCS 5/16-18 X 1-1/4 ROHS | |
| 2 | 755014 | CALF PAD TROUGH STYLE 14"/16" | |
| 3 | 221097 | 1/4-28 X 5/8 HEX C/S BZ | |
| 4 | 561016 | 1" WASHER 5/16" HOLE | |
| 5 | 881413 | CALF PAD BRACKET ASSEMBLY | |
| 6 | 106934 | NUT NYLOCK 1/4-28 ROHS | |
| 7 | 106937 | NUT NYLOCK THIN 5/16-18 | |
| 1-7 | 881414 | CALF PAD J-HOOK 14"-15" ASSEMBLY | |
| | | Ship assembled part # | Use with multiple assemblies |
| | ASSY-HNG-FP | HANGER/FOOTPLATE ASSY REQUIRED | add with Hanger & Footplate kit |



To request assembly of parts being ordered as a kit, please add "ASSY-HNG-FP" after ELR & Calf Pad parts are selected

| Pos. | Item Number | Description | Remarks |
|--------------|-------------|----------------------------------|---------------------------------|
| 1 | 106934 | NUT NYLOCK 1/4-28 ROHS | |
| 2A | 107018 | HHCS 5/16-18 X 2-1/2 ROHS | 16"-17" wide only |
| 2B | 107019 | HHCS 5/16-18 X 3-1/2 ROHS | 18"-20" wide only |
| 3 | 107013 | HHCS 1/4-28 X 5/8 ROHS | |
| 4 | 881413 | CALF PAD BRACKET ASSEMBLY | |
| 5 | 560199 | ELR CALF HINGE SPACER | 18"-20" wide only |
| 6 | 560108 | CALF PAD MOLDED 16"-20" | |
| 7 | 106936 | NUT NYLOCK 5/16-18 ROHS | |
| 8 | 751045 | CALF PAD COVER | |
| 1,2A,3,4,6-8 | 881416 | CALF MOLDED 16"-17" ASSEMBLY | |
| 1,2B,3-7,8 | 881412 | CALF PAD MOLDED 18"-20" ASSEMBLY | |
| | | Ship assembled part # | Use with multiple assemblies |
| | ASSY-HNG-FP | HANGER/FOOTPLATE ASSY REQUIRED | add with Hanger & Footplate kit |

Note: Footplate Assemblies are set to footrest width; please see "Footplate Formula" table for seat width conversion.

Note: If using Short Ext Tube & Hemi Hanger with Composite Footplate use 1G (bent) .

Note: V Style Hangers are not available on Swing Away Style chairs effective 7/14/14; see the "Prior To" ordering guide for V Style footplate assemblies.

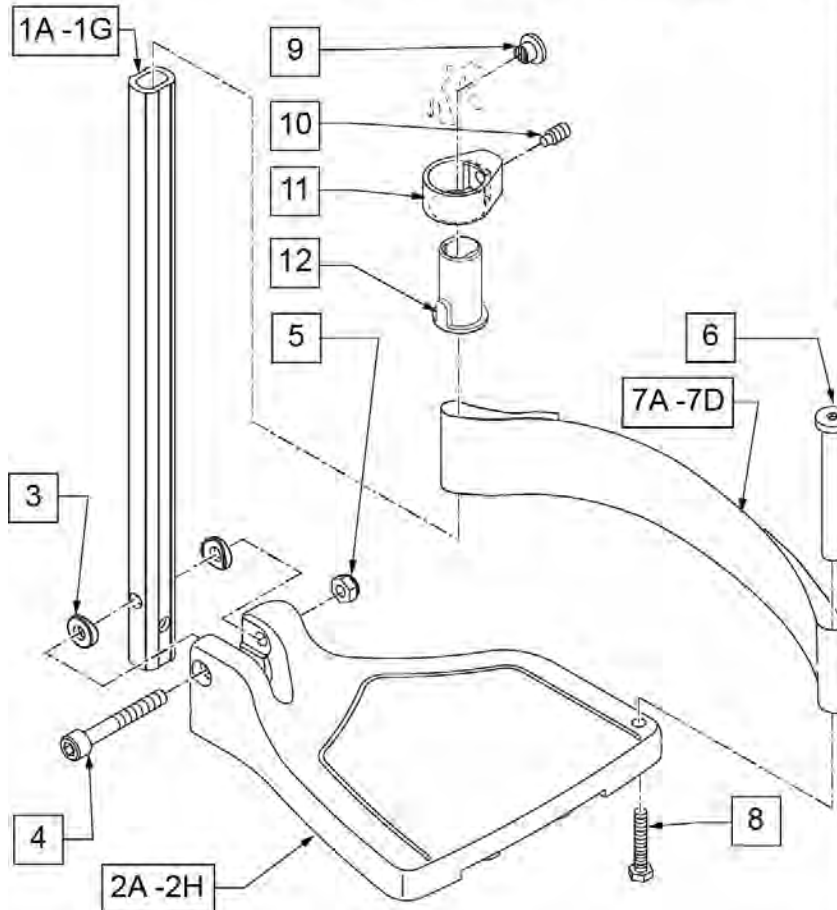
Note: for QX Series or SR45 footplate replacement parts see the ordering guide marked specifically for these two models in the informations panel.

To have complete Footrest ship assembled, choose compatible Hanger + Footplate part numbers and add "ASSY-HNG-FP" to order

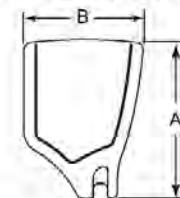
INSET FORMULA
 0" Inset (Seat Width) = Footrest Width
 1" Inset (Seat Width) -2" = Footrest Width
 "V" Hanger (Seat Width) -4" = Footrest Width
 Offset Hanger Receiver (Seat Width) +2" = Footrest Width

Composite Footplates w/ Ext & HL for Swing I/O Hangers

| Ext. Tube Footrest Width | 60°, 70° & 70° Hemi Style, ELR & ALR Hangers (Bent Extension) | | | | 80° Style Hanger (Straight Extension) | | |
|--------------------------------|---------------------------------------------------------------------|--------|--------|--------|------------------------------------------|--------|--------|
| | Hemi Short Hanger | Short | Medium | Long | Short | Medium | Long |
| 13" Right | 129724 | 107748 | 107760 | 107774 | 107704 | 107718 | 107732 |
| 13" Left | 129725 | 107753 | 107767 | 107781 | 107711 | 107725 | 107739 |
| 14" Right | 129726 | 107747 | 107761 | 107775 | 107705 | 107719 | 107733 |
| 14" Left | 129727 | 107754 | 107768 | 107782 | 107712 | 107726 | 107740 |
| 15" Right | 129728 | 107748 | 107762 | 107776 | 107706 | 107720 | 107734 |
| 15" Left | 129729 | 107756 | 107769 | 107783 | 107713 | 107727 | 107741 |
| 16" Right | 129730 | 107749 | 107763 | 107777 | 107707 | 107721 | 107735 |
| 16" Left | 129731 | 107758 | 107770 | 107784 | 107714 | 107728 | 107742 |
| 17" Right | 129732 | 107750 | 107764 | 107778 | 107708 | 107722 | 107736 |
| 17" Left | 129733 | 107757 | 107771 | 107785 | 107715 | 107729 | 107743 |
| 18" Right | 129734 | 107751 | 107765 | 107779 | 107709 | 107723 | 107737 |
| 18" Left | 129735 | 107758 | 107772 | 107786 | 107716 | 107730 | 107744 |
| 19"-20" Rt | 129736 | 107752 | 107766 | 107780 | 107710 | 107724 | 107738 |
| 19"-20" Lt | 129737 | 107759 | 107773 | 107787 | 107717 | 107731 | 107745 |
| 21"-22" Rt | 129738 | 111528 | 111530 | 111532 | 111522 | 111524 | 111526 |
| 21"-22" Lt | 129739 | 111529 | 111531 | 111533 | 111523 | 111525 | 111527 |



FOOTPLATE MEASURING GUIDE



| PART NO | DESCRIPTION | "A" | "B" |
|------------|-------------------------------------|---------|--------|
| 063216-006 | FOOTPLATE COMPOSITE 167 R (13"W) | 6 1/8" | 6" |
| 063216-012 | FOOTPLATE COMPOSITE 167 L (13"W) | 6 1/8" | 6" |
| 063216-015 | FOOTPLATE COMPOSITE 170 R (14"W) | 6 5/8" | 6" |
| 063216-018 | FOOTPLATE COMPOSITE 170 L (14"W) | 6 5/8" | 6" |
| 063216-005 | FOOTPLATE COMPOSITE 182 R (15"W) | 7 1/8" | 6" |
| 063216-011 | FOOTPLATE COMPOSITE 182 L (15"W) | 7 1/8" | 6" |
| 063216-014 | FOOTPLATE COMPOSITE 195 R (16"W) | 7 5/8" | 6" |
| 063216-017 | FOOTPLATE COMPOSITE 195 L (16"W) | 7 5/8" | 6" |
| 063216-004 | FOOTPLATE COMPOSITE 207 R (17"W) | 8 1/8" | 6" |
| 063216-010 | FOOTPLATE COMPOSITE 207 L (17"W) | 8 1/8" | 6" |
| 063216-013 | FOOTPLATE COMPOSITE 220 R (18"W) | 8 5/8" | 6 1/4" |
| 063216-016 | FOOTPLATE COMPOSITE 220 L (18"W) | 8 5/8" | 6 1/4" |
| 063216-003 | FOOTPLATE COMPOSITE 232 R (19-20"W) | 9 1/8" | 6 1/4" |
| 063216-009 | FOOTPLATE COMPOSITE 232 L (19-20"W) | 9 1/8" | 6 1/4" |
| 063216-002 | FOOTPLATE COMPOSITE 257 R (21-22"W) | 10 1/8" | 6 1/4" |
| 063216-008 | FOOTPLATE COMPOSITE 257 L (21-22"W) | 10 1/8" | 6 1/4" |

| Pos. | Item Number | Description | Remarks |
|--------|-------------|------------------------|---------------------------|
| 1A,3-5 | 120660 | SHT STRT EXT COMP HDWR | 80 deg hangers + ELR only |
| 1B,3-5 | 120661 | MED STRT EXT COMP HDWR | 80 deg hangers + ELR only |

| Pos. | Item Number | Description | Remarks |
|----------------|-------------|---------------------------------------|----------------------------------|
| 1C,3-5 | 120662 | LNG STRT EXT COMP HDWR | 80 deg hangers + ELR only |
| 1D,3-5 | 120663 | SHT BNT EXT COMP HDWR | 60,70,70 Hemi Hangers |
| 1E,3-5 | 120664 | MED BNT EXT COMP HDWR | 60,70,70 Hemi Hangers |
| 1F,3-5 | 120665 | LNG BNT EXT COMP HDWR | 60,70,70 Hemi Hangers |
| 1G | 128078 | TUBE FOOTREST EXT SHT HEMI | use for Hemi Ext Tube option |
| 2A | 063216-006 | COMPOSITE FOOTPLATE RIGHT | RIGHT 13" Footrest Width |
| 2A | 063216-012 | COMPOSITE FOOTPLATE LEFT | LEFT 13" Footrest Width |
| 2B | 063216-015 | FOOTPLATE COMPOSITE RIGHT | RIGHT 14" Footrest Width |
| 2B | 063216-018 | FOOTPLATE COMPOSITE LEFT | LEFT 14" Footrest Width |
| 2C | 063216-005 | COMPOSITE FOOTPLATE RIGHT | RIGHT 15" Footrest Width |
| 2C | 063216-011 | COMPOSITE FOOTPLATE LEFT | LEFT 15" Footrest Width |
| 2D | 063216-014 | FOOTPLATE COMPOSITE RIGHT | RIGHT 16" Footrest Width |
| 2D | 063216-017 | FOOTPLATE COMPOSITE LEFT | LEFT 16" Footrest Width |
| 2E | 063216-004 | COMPOSITE FOOTPLATE RIGHT | RIGHT 17" Footrest Width |
| 2E | 063216-010 | COMPOSITE FOOTPLATE LEFT | LEFT 17" Footrest Width |
| 2F | 063216-013 | FOOTPLATE COMPOSITE RIGHT | RIGHT 18" Footrest Width |
| 2F | 063216-016 | FOOTPLATE COMPOSITE LEFT | LEFT 18" Footrest Width |
| 2G | 063216-003 | COMPOSITE FOOTPLATE RIGHT | RIGHT 19" & 20" Footrest Width |
| 2G | 063216-009 | COMPOSITE FOOTPLATE LEFT | LEFT 19" & 20" Footrest Width |
| 2H | 063216-002 | FOOTPLATE COMPOSITE RIGHT | RIGHT 21" & 22" Footrest Width |
| 2H | 063216-008 | FOOTPLATE COMPOSITE LEFT | LEFT 21" & 22" Footrest Width |
| 3 | 104377 | 3/4" SADDLE THIN | |
| 4 | 103175 | SHCS M6 X 1 X 40 INORG | |
| 5 | 132626 | NUT AUTOMATION M6 X 1.0 | Inserted in bottom of footplate. |
| 6 | 104328 | HEEL LOOP PEG | |
| 7A | 104380-001 | ADJUSTABLE FOOT REST STRAP | 14" wide |
| 7B | 104380-002 | ADJUSTABLE FOOT REST STRAP | 15-16" wide |
| 7C | 104380-003 | ADJUSTABLE FOOT REST STRAP | 17-18" wide |
| 7D | 104380-004 | ADJUSTABLE FOOT REST STRAP | 19-22" wide |
| 8 | 102268-001 | HHCS M6 X 1 X 25 | |
| 12 | 104160 | BUSHING FOOTREST | |
| 9-12 | 107485 | FOOTREST CLAMP ASSM | |
| >>>> | | 80 DEGREE HANGERS - SHORT EXT - RIGHT | |
| 1A,2A,3-6,7A,8 | 107704 | COMP STRT SHT EXT ASM 13"W R | Right- 80D- 13" W- SHORT |
| 1A,2B,3-6,7A,8 | 107705 | COMP STRT SHT EXT ASM 14"W R | Right- 80D- 14" W- SHORT |
| 1A,2C,3-6,7B,8 | 107706 | COMP STRT SHT EXT ASM 15"W R | Right- 80D- 15" W- SHORT |
| 1A,2D,3-6,7B,8 | 107707 | COMP STRT SHT EXT ASM 16"W R | Right- 80D- 16" W- SHORT |
| 1A,2E,3-6,7C,8 | 107708 | COMP STRT SHT EXT ASM 17"W R | Right- 80D- 17" W- SHORT |
| 1A,2F,3-6,7C,8 | 107709 | COMP STRT SHT EXT ASM 18"W R | Right- 80D- 18" W- SHORT |
| 1A,2G,3-6,7D,8 | 107710 | COMP STRT SHT EXT ASM 19 & 20"W R | Right- 80D- 19 & 20" W- SHORT |
| 1A,2H,3-6,7D,8 | 111522 | COMP STRT SHT EXT ASM 21 & 22"W R | Right- 80D- 21 & 22" W- SHORT |
| >>>> | | 80 DEGREE HANGERS - SHORT EXT - LEFT | |
| 1A,2A,3-6,7A,8 | 107711 | COMP STRT SHT EXT ASM 13"W L | LEFT- 80D- 13" W- SHORT |
| 1A,2B,3-6,7A,8 | 107712 | COMP STRT SHT EXT ASM 14"W L | LEFT- 80D- 14" W- SHORT |
| 1A,2C,3-6,7B,8 | 107713 | COMP STRT SHT EXT ASM 15"W L | LEFT- 80D- 15" W- SHORT |
| 1A,2D,3-6,7B,8 | 107714 | COMP STRT SHT EXT ASM 16"W L | LEFT- 80D- 16" W- SHORT |
| 1A,2E,3-6,7C,8 | 107715 | COMP STRT SHT EXT ASM 17"W L | LEFT- 80D- 17" W- SHORT |
| 1A,2F,3-6,7C,8 | 107716 | COMP STRT SHT EXT ASM 18"W L | LEFT- 80D- 18" W- SHORT |
| 1A,2G,3-6,7D,8 | 107717 | COMP STRT SHT EXT ASM 19 & 20"W L | LEFT- 80D- 19 & 20" W- SHORT |
| 1A,2H,3-6,7D,8 | 111523 | COMP STRT SHT EXT ASM 21 & 22"W L | LEFT- 80D- 21 & 22" W- SHORT |
| >>>> | | 80 DEGREE HANGERS - MED EXT - RIGHT | |
| 1B,2A,3-6,7A,8 | 107718 | COMP STRT MED EXT ASM 13"W R | Right- 80D- 13" W- MED |
| 1B,2B,3-6,7A,8 | 107719 | COMP STRT MED EXT ASM 14"W R | Right- 80D- 14" W- MED |
| 1B,2C,3-6,7B,8 | 107720 | COMP STRT MED EXT ASM 15"W R | Right- 80D- 15" W- MED |
| 1B,2D,3-6,7B,8 | 107721 | COMP STRT MED EXT ASM 16"W R | Right- 80D- 16" W- MED |
| 1B,2E,3-6,7C,8 | 107722 | COMP STRT MED EXT ASM 17"W R | Right- 80D- 17" W- MED |
| 1B,2F,3-6,7C,8 | 107723 | COMP STRT MED EXT ASM 18"W R | Right- 80D- 18" W- MED |

| Pos. | Item Number | Description | Remarks |
|----------------|-------------|------------------------------------------------|-------------------------------|
| 1B,2G,3-6,7D,8 | 107724 | COMP STRT MED EXT ASM 19 & 20"W R | Right- 80D- 19 & 20" W- MED |
| 1B,2H,3-6,7D,8 | 111524 | COMP STRT MED EXT ASM 21 & 22"W R | Right- 80D- 21 & 22" W- MED |
| >>>> | | 80 DEGREE HANGERS - MED EXT - LEFT | |
| 1B,2A,3-6,7A,8 | 107725 | COMP STRT MED EXT ASM 13"W L | LEFT- 80D- 13" W- MED |
| 1B,2B,3-6,7A,8 | 107726 | COMP STRT MED EXT ASM 14"W L | LEFT- 80D- 14" W- MED |
| 1B,2C,3-6,7B,8 | 107727 | COMP STRT MED EXT ASM 15"W L | LEFT- 80D- 15" W- MED |
| 1B,2D,3-6,7B,8 | 107728 | COMP STRT MED EXT ASM 16"W L | LEFT- 80D- 16" W- MED |
| 1B,2E,3-6,7C,8 | 107729 | COMP STRT MED EXT ASM 17"W L | LEFT- 80D- 17" W- MED |
| 1B,2F,3-6,7C,8 | 107730 | COMP STRT MED EXT ASM 18"W L | LEFT- 80D- 18" W- MED |
| 1B,2G,3-6,7D,8 | 107731 | COMP STRT MED EXT ASM 19 & 20"W L | LEFT- 80D- 19 & 20" W- MED |
| 1B,2H,3-6,7D,8 | 111525 | COMP STRT MED EXT ASM 21 & 22"W L | LEFT- 80D- 21 & 22" W- MED |
| >>>> | | 80 DEGREE HANGERS - LONG EXT - RIGHT | |
| 1C,2A,3-6,7A,8 | 107732 | COMP STRT LONG EXT ASM 13"W R | Right- 80D- 13" W- LONG |
| 1C,2B,3-6,7A,8 | 107733 | COMP STRT LONG EXT ASM 14"W R | Right- 80D- 14" W- LONG |
| 1C,2C,3-6,7B,8 | 107734 | COMP STRT LONG EXT ASM 15"W R | Right- 80D- 15" W- LONG |
| 1C,2D,3-6,7B,8 | 107735 | COMP STRT LONG EXT ASM 16"W R | Right- 80D- 16" W- LONG |
| 1C,2E,3-6,7C,8 | 107736 | COMP STRT LONG EXT ASM 17"W R | Right- 80D- 17" W- LONG |
| 1C,2F,3-6,7C,8 | 107737 | COMP STRT LONG EXT ASM 18"W R | Right- 80D- 18" W- LONG |
| 1C,2G,3-6,7D,8 | 107738 | COMP STRT LONG EXT ASM 19 & 20"W R | Right- 80D- 19 & 20" W- LONG |
| 1C,2H,3-6,7D,8 | 111526 | COMP STRT LONG EXT ASM 21 & 22"W R | Right- 80D- 21 & 22" W- LONG |
| >>>> | | 80 DEGREE HANGERS - LONG EXT - LEFT | |
| 1C,2A,3-6,7A,8 | 107739 | COMP STRT LONG EXT ASM 13"W L | LEFT- 80D- 13" W- LONG |
| 1C,2B,3-6,7A,8 | 107740 | COMP STRT LONG EXT ASM 14"W L | LEFT- 80D- 14" W- LONG |
| 1C,2C,3-6,7B,8 | 107741 | COMP STRT LONG EXT ASM 15"W L | LEFT- 80D- 15" W- LONG |
| 1C,2D,3-6,7B,8 | 107742 | COMP STRT LONG EXT ASM 16"W L | LEFT- 80D- 16" W- LONG |
| 1C,2E,3-6,7C,8 | 107743 | COMP STRT LONG EXT ASM 17"W L | LEFT- 80D- 17" W- LONG |
| 1C,2F,3-6,7C,8 | 107744 | COMP STRT LONG EXT ASM 18"W L | LEFT- 80D- 18" W- LONG |
| 1C,2G,3-6,7D,8 | 107745 | COMP STRT LONG EXT ASM 19 & 20"W L | LEFT- 80D- 19 & 20" W- LONG |
| 1C,2H,3-6,7D,8 | 111527 | COMP STRT LONG EXT ASM 21 & 22"W L | LEFT- 80D- 21 & 22" W- LONG |
| >>>> | | 60°,70° SHORT EXT - RIGHT | |
| 1D,2A,3-6,7A,8 | 107746 | COMP BNT SHT EXT ASM 13" W R | Right- 70D- 13" W- SHORT |
| 1D,2B,3-6,7A,8 | 107747 | COMP BNT SHT EXT ASM 14" W R | Right- 70D- 14" W- SHORT |
| 1D,2C,3-6,7B,8 | 107748 | COMP BNT SHT EXT ASM 15" W R | Right- 70D- 15" W- SHORT |
| 1D,2D,3-6,7B,8 | 107749 | COMP BNT SHT EXT ASM 16" W R | Right- 70D- 16" W- SHORT |
| 1D,2E,3-6,7C,8 | 107750 | COMP BNT SHT EXT ASM 17" W R | Right- 70D- 17" W- SHORT |
| 1D,2F,3-6,7C,8 | 107751 | COMP BNT SHT EXT ASM 18" W R | Right- 70D- 18" W- SHORT |
| 1D,2G,3-6,7D,8 | 107752 | COMP BNT SHT EXT ASM 19 & 20"W R | Right- 70D- 19 & 20" W- SHORT |
| 1D,2H,3-6,7D,8 | 111528 | COMP BNT SHT EXT ASM 21 & 22"W R | Right- 70D- 21 & 22" W- SHORT |
| >>>> | | 60°,70° - SHORT EXT - LEFT | |
| 1D,2A,3-6,7A,8 | 107753 | COMP BNT SHT EXT ASM 13" W L | Left- 70D- 13 W- SHORT |
| 1D,2B,3-6,7A,8 | 107754 | COMP BNT SHT EXT ASM 14" W L | Left- 70D- 14 W- SHORT |
| 1D,2C,3-6,7B,8 | 107755 | COMP BNT SHT EXT ASM 15" W L | Left- 70D- 15 W- SHORT |
| 1D,2D,3-6,7B,8 | 107756 | COMP BNT SHT EXT ASM 16" W L | Left- 70D- 16 W- SHORT |
| 1D,2E,3-6,7C,8 | 107757 | COMP BNT SHT EXT ASM 17" W L | Left- 70D- 17 W- SHORT |
| 1D,2F,3-6,7C,8 | 107758 | COMP BNT SHT EXT ASM 18" W L | Left- 70D- 18 W- SHORT |
| 1D,2G,3-6,7D,8 | 107759 | COMP BNT SHT EXT ASM 19 & 20"W L | Left- 70D- 19 & 20" W- SHORT |
| 1D,2H,3-6,7D,8 | 111529 | COMP BNT SHT EXT ASM 21 & 22"W L | Left- 70D- 21 & 22" W- SHORT |
| >>>> | | 60°,70°,60°&70° HEMI HANGERS - MED EXT - RIGHT | |
| 1E,2A,3-6,7A,8 | 107760 | COMP BNT MED EXT ASM 13" W R | Right- 70D- 13" W- MED |
| 1E,2B,3-6,7A,8 | 107761 | COMP BNT MED EXT ASM 14" W R | Right- 70D- 14" W- MED |
| 1E,2C,3-6,7B,8 | 107762 | COMP BNT MED EXT ASM 15" W R | Right- 70D- 15" W- MED |
| 1E,2D,3-6,7B,8 | 107763 | COMP BNT MED EXT ASM 16" W R | Right- 70D- 16" W- MED |
| 1E,2E,3-6,7C,8 | 107764 | COMP BNT MED EXT ASM 17" W R | Right- 70D- 17" W- MED |
| 1E,2F,3-6,7C,8 | 107765 | COMP BNT MED EXT ASM 18" W R | Right- 70D- 18" W- MED |
| 1E,2G,3-6,7D,8 | 107766 | COMP BNT MED EXT ASM 19 & 20"W R | Right- 70D- 19 & 20" W- MED |
| 1E,2H,3-6,7D,8 | 111530 | COMP BNT MED EXT ASM 21 & 22"W R | Right- 70D- 21 & 22" W- MED |
| >>>> | | 60°,70°,60°&70° HEMI HANGERS - MED EXT - LEFT | |

| Pos. | Item Number | Description | Remarks |
|----------------|-------------|-------------------------------------------------|--------------------------------------------|
| 1E,2A,3-6,7A,8 | 107767 | COMP BNT MED EXT ASM 13" W L | Left- 70D- 13 W- MED |
| 1E,2B,3-6,7A,8 | 107768 | COMP BNT MED EXT ASM 14" W L | Left- 70D- 14 W- MED |
| 1E,2C,3-6,7B,8 | 107769 | COMP BNT MED EXT ASM 15" W L | Left- 70D- 15 W- MED |
| 1E,2D,3-6,7B,8 | 107770 | COMP BNT MED EXT ASM 16" W L | Left- 70D- 16 W- MED |
| 1E,2E,3-6,7C,8 | 107771 | COMP BNT MED EXT ASM 17" W L | Left- 70D- 17 W- MED |
| 1E,2F,3-6,7C,8 | 107772 | COMP BNT MED EXT ASM 18" W L | Left- 70D- 18 W- MED |
| 1E,2G,3-6,7D,8 | 107773 | COMP BNT MED EXT ASM 19 & 20"W L | Left- 70D- 19 & 20" W- MED |
| 1E,2H,3-6,7D,8 | 111531 | COMP BNT MED EXT ASM 21 & 22"W L | Left- 70D- 21 & 22" W- MED |
| >>>> | | 60°,70°,60°&70° HEMI HANGERS - LONG EXT - RIGHT | |
| 1F,2A,3-6,7A,8 | 107774 | COMP BNT LONG EXT ASM 13" W R | Right- 70D- 13" W- LONG |
| 1F,2B,3-6,7A,8 | 107775 | COMP BNT LONG EXT ASM 14" W R | Right- 70D- 14" W- LONG |
| 1F,2C,3-6,7B,8 | 107776 | COMP BNT LONG EXT ASM 15" W R | Right- 70D- 15" W- LONG |
| 1F,2D,3-6,7B,8 | 107777 | COMP BNT LONG EXT ASM 16" W R | Right- 70D- 16" W- LONG |
| 1F,2E,3-6,7C,8 | 107778 | COMP BNT LONG EXT ASM 17" W R | Right- 70D- 17" W- LONG |
| 1F,2F,3-6,7C,8 | 107779 | COMP BNT LONG EXT ASM 18" W R | Right- 70D- 18" W- LONG |
| 1F,2G,3-6,7D,8 | 107780 | COMP BNT LONG EXT ASM 19 & 20"W R | Right- 70D- 19 & 20" W- LONG |
| 1F,2H,3-6,7D,8 | 111532 | COMP BNT LONG EXT ASM 21 & 22"W R | Right- 70D- 21 & 22" W- LONG |
| >>>> | | 60°,70°,60°&70° HEMI HANGERS - LONG EXT - LEFT | |
| 1F,2A,3-6,7A,8 | 107781 | COMP BNT LONG EXT ASM 13" W L | Left- 70D- 13 W- LONG |
| 1F,2B,3-6,7A,8 | 107782 | COMP BNT LONG EXT ASM 14" W L | Left- 70D- 14 W- LONG |
| 1F,2C,3-6,7B,8 | 107783 | COMP BNT LONG EXT ASM 15" W L | Left- 70D- 15 W- LONG |
| 1F,2D,3-6,7B,8 | 107784 | COMP BNT LONG EXT ASM 16" W L | Left- 70D- 16 W- LONG |
| 1F,2E,3-6,7C,8 | 107785 | COMP BNT LONG EXT ASM 17" W L | Left- 70D- 17 W- LONG |
| 1F,2F,3-6,7C,8 | 107786 | COMP BNT LONG EXT ASM 18" W L | Left- 70D- 18 W- LONG |
| 1F,2G,3-6,7D,8 | 107787 | COMP BNT LONG EXT ASM 19 & 20"W L | Left- 70D- 19 & 20" W- LONG |
| 1F,2H,3-6,7D,8 | 111533 | COMP BNT LONG EXT ASM 21 & 22"W L | Left- 70D- 21 & 22" W- LONG |
| >>>> | | 60°&70° HEMI HANGER SHORT EXT- RIGHT | |
| 1G,2A,3-6,7A,8 | 129724 | CMP FT BNT KIT SHT HNGR 13W R | Right-Hemi-13W; add Ext behind the Hemi |
| 1G,2B,3-6,7A,8 | 129726 | CMP FT BNT KIT SHT HNGR 14W R | Right-Hemi-14W; add Ext behind the Hemi |
| 1G,2C,3-6,7B,8 | 129728 | CMP FT BNT KIT SHT HNGR 15W R | Right-Hemi-15W; add Ext behind the Hemi |
| 1G,2D,3-6,7B,8 | 129730 | CMP FT BNT KIT SHT HNGR 16W R | Right-Hemi-16W; add Ext behind the Hemi |
| 1G,2E,3-6,7C,8 | 129732 | CMP FT BNT KIT SHT HNGR 17W R | Right-Hemi-17W; add Ext behind the Hemi |
| 1G,2F,3-6,7C,8 | 129734 | CMP FT BNT KIT SHT HNGR 18W R | Right-Hemi-18W; add Ext behind the Hemi |
| 1G,2G,3-6,7D,8 | 129736 | CMP FT BNT KIT SHT HNGR 19-20W R | Right-Hemi-19-20W; add Ext behind the Hemi |
| 1G,2H,3-6,7D,8 | 129738 | CMP FT BNT KIT SHT HNGR 21-22W R | Right-Hemi-21-22W; add Ext behind the Hemi |
| >>>> | | 60°&70° HEMI HANGER SHORT EXT- LEFT | |
| 1G,2A,3-6,7A,8 | 129725 | CMP FT BNT KIT SHT HNGR 13W L | Left-Hemi-13W; add Ext behind the Hemi |
| 1G,2B,3-6,7A,8 | 129727 | CMP FT BNT KIT SHT HNGR 14W L | Left-Hemi-14W; add Ext behind the Hemi |
| 1G,2C,3-6,7B,8 | 129729 | CMP FT BNT KIT SHT HNGR 15W L | Left-Hemi-15W; add Ext behind the Hemi |
| 1G,2D,3-6,7B,8 | 129731 | CMP FT BNT KIT SHT HNGR 16W L | Left-Hemi-16W; add Ext behind the Hemi |
| 1G,2E,3-6,7C,8 | 129733 | CMP FT BNT KIT SHT HNGR 17W L | Left-Hemi-17W; add Ext behind the Hemi |
| 1G,2F,3-6,7C,8 | 129735 | CMP FT BNT KIT SHT HNGR 18W L | Left-Hemi-18W; add Ext behind the Hemi |
| 1G,2G,3-6,7D,8 | 129737 | CMP FT BNT KIT SHT HNGR 19-20W L | Left-Hemi-19-20W; add Ext behind the Hemi |
| 1G,2H,3-6,7D,8 | 129739 | CMP FT BNT KIT SHT HNGR 21-22W L | Left-Hemi-21-22W; add Ext behind the Hemi |
| | | Ship assembled part # | Use with multiple assemblies |
| | ASSY-HNG-FP | HANGER/FOOTPLATE ASSY REQUIRED | add with Hanger & Footplate kit |

Note: Footplate Assemblies are set to footrest width; please see "Footplate Formula" table for seat width conversion.

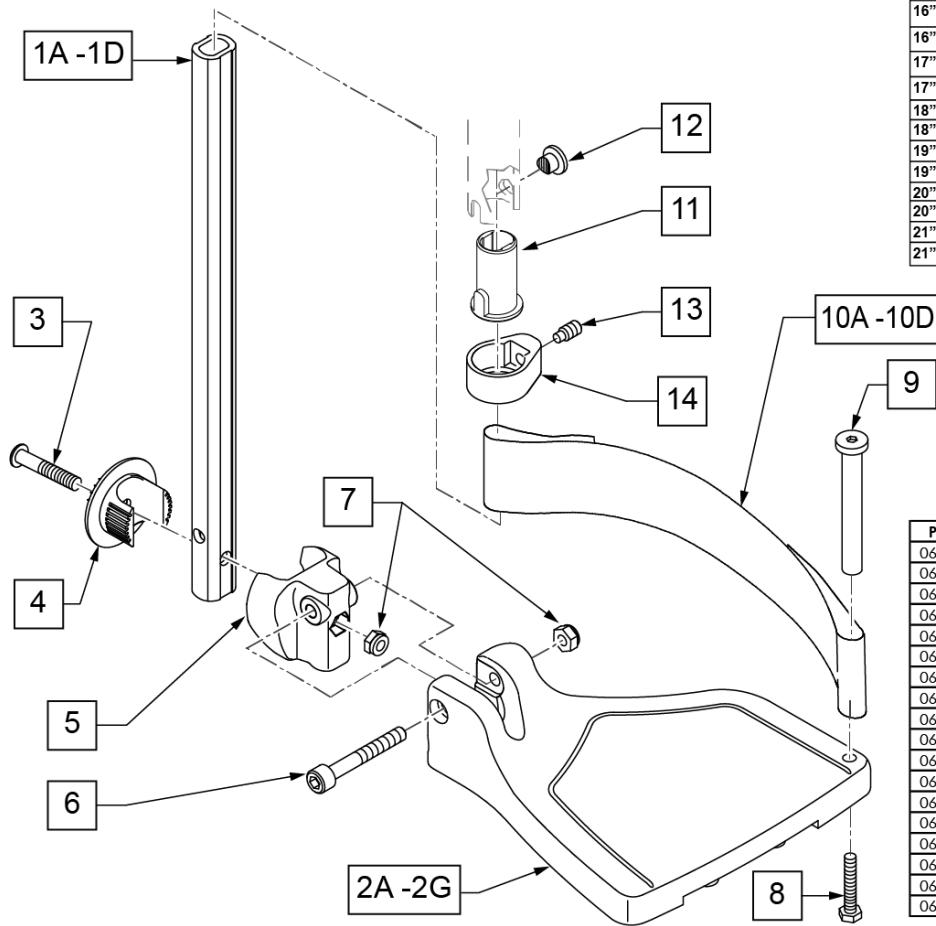
Note: If using Short Ext Tube & Hemi Hanger with Composite Angle Adjustable Footplate use 1D (straight) .

Note: V Style Hangers are not available on Swing Away Style chairs effective 7/14/14; see the "Prior To" ordering guide for V Style footplate assemblies.

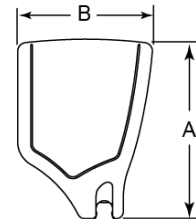
To have complete Footrest ship assembled, choose compatible Hanger + Footplate part numbers and add "ASSY-HNG-FP" to order

ADD INSET FORMULA
 0" Inset (Seat Width) = Footrest Width
 1" Inset (Seat Width) -2" = Footrest Width
 2" Inset (Seat Width) -4" = Footrest Width
 "V" Hanger (Seat Width) -4" = Footrest Width
 Offset Hanger Receiver (Seat Width) +2" = Footrest Width
 Flared Frame (Seat Width) = 2" = Footrest Width

| Composite Angle Adjustable "CAA" Footplate w/ Ext & HL for Swing I/O Hangers (Order 1 each) | | | | |
|---------------------------------------------------------------------------------------------------|---------------------|-----------------------------------------------|--------|--------|
| Ext Tube Footrest Width | Short Style Hangers | Standard Style Hanger (Straight Extension) | | |
| | | Short Hemi | Short | Medium |
| 15" Right | 129710 | 107816 | 107830 | 107844 |
| 15" Left | 129711 | 107823 | 107837 | 107851 |
| 16" Right | 129712 | 107817 | 107831 | 107845 |
| 16" Left | 129713 | 107824 | 107838 | 107852 |
| 17" Right | 129714 | 107818 | 107832 | 107846 |
| 17" Left | 129715 | 107825 | 107839 | 107853 |
| 18" Right | 129716 | 107819 | 107833 | 107847 |
| 18" Left | 129717 | 107826 | 107840 | 107854 |
| 19" Right | 129718 | 107820 | 107834 | 107848 |
| 19" Left | 129719 | 107827 | 107841 | 107855 |
| 20" Right | 129720 | 107821 | 107835 | 107849 |
| 20" Left | 129721 | 107828 | 107842 | 107856 |
| 21"-22" Rt | 129722 | 107822 | 107836 | 107850 |
| 21"-22" Lt | 129723 | 107829 | 107843 | 107857 |



FOOTPLATE MEASURING GUIDE



| PART NO | DESCRIPTION | DIM - A- | DIM - B- |
|------------|---------------------------|----------|----------|
| 063216-006 | FOOTPLATE COMPOSITE 157 R | 6 1/8" | 6" |
| 063216-012 | FOOTPLATE COMPOSITE 157 L | 6 1/8" | 6" |
| 063216-015 | FOOTPLATE COMPOSITE 170 R | 6 5/8" | 6" |
| 063216-018 | FOOTPLATE COMPOSITE 170 L | 6 5/8" | 6" |
| 063216-005 | FOOTPLATE COMPOSITE 182 R | 7 1/8" | 6" |
| 063216-011 | FOOTPLATE COMPOSITE 182 L | 7 1/8" | 6" |
| 063216-014 | FOOTPLATE COMPOSITE 195 R | 7 5/8" | 6" |
| 063216-017 | FOOTPLATE COMPOSITE 195 L | 7 5/8" | 6" |
| 063216-004 | FOOTPLATE COMPOSITE 207 R | 8 1/8" | 6" |
| 063216-010 | FOOTPLATE COMPOSITE 207 L | 8 1/8" | 6" |
| 063216-013 | FOOTPLATE COMPOSITE 220 R | 8 5/8" | 6 1/4" |
| 063216-016 | FOOTPLATE COMPOSITE 220 L | 8 5/8" | 6 1/4" |
| 063216-003 | FOOTPLATE COMPOSITE 232 R | 9 1/8" | 6 1/4" |
| 063216-009 | FOOTPLATE COMPOSITE 232 L | 9 1/8" | 6 1/4" |
| 063216-002 | FOOTPLATE COMPOSITE 257 R | 10 1/8" | 6 1/4" |
| 063216-008 | FOOTPLATE COMPOSITE 257 L | 10 1/8" | 6 1/4" |
| 063216-001 | FOOTPLATE COMPOSITE 282 R | 11 1/8" | 6 1/4" |
| 063216-007 | FOOTPLATE COMPOSITE 282 L | 11 1/8" | 6 1/4" |

| Pos. | Item Number | Description | Remarks |
|--------|-------------|--------------------------------|------------------------------|
| 1A,6,7 | 120660 | SHT STRT EXT COMP HDWR | |
| 1B,6,7 | 120661 | MED STRT EXT COMP HDWR | |
| 1C,6,7 | 120662 | LNG STRT EXT COMP HDWR | |
| 1D | 128079 | TUBE FTRST EXT STRGHT SHT HEMI | Use for Hemi Ext Tube option |

| Pos. | Item Number | Description | Remarks |
|-------------|-------------|--------------------------------------|----------------------------------|
| 2A | 063216-006 | COMPOSITE FOOTPLATE RIGHT | RIGHT 15" Footrest Width |
| 2A | 063216-012 | COMPOSITE FOOTPLATE LEFT | LEFT 15" Footrest Width |
| 2B | 063216-015 | COMPOSITE FOOTPLATE RIGHT | RIGHT 16" Footrest Width |
| 2B | 063216-018 | COMPOSITE FOOTPLATE LEFT | LEFT 16" Footrest Width |
| 2C | 063216-005 | COMPOSITE FOOTPLATE RIGHT | RIGHT 17" Footrest Width |
| 2C | 063216-011 | COMPOSITE FOOTPLATE LEFT | LEFT 17" Footrest Width |
| 2D | 063216-014 | COMPOSITE FOOTPLATE RIGHT | RIGHT 18" Footrest Width |
| 2D | 063216-017 | COMPOSITE FOOTPLATE LEFT | LEFT 18" Footrest Width |
| 2E | 063216-004 | COMPOSITE FOOTPLATE RIGHT | RIGHT 19" Footrest Width |
| 2E | 063216-010 | COMPOSITE FOOTPLATE LEFT | LEFT 19" Footrest Width |
| 2F | 063216-013 | COMPOSITE FOOTPLATE RIGHT | RIGHT 20" Footrest Width |
| 2F | 063216-016 | COMPOSITE FOOTPLATE LEFT | LEFT 20" Footrest Width |
| 2G | 063216-003 | COMPOSITE FOOTPLATE RIGHT | RIGHT 21" & 22" Footrest Width |
| 2G | 063216-009 | COMPOSITE FOOTPLATE LEFT | LEFT 21" & 22" Footrest Width |
| 3 | 108233 | BHCS M6 X 1 X 40 | |
| 4 | 054242 | ANGLE COVER | |
| 5 | 054241 | ANGLE SEGMENT | |
| 6 | 103175 | SHCS M6 X 1 X 40 INORG | |
| 7 | 132626 | NUT AUTOMATION M6 X 1.0 | |
| 8 | 102268-001 | HHCS M6X1X25 | Inserted in bottom of footplate. |
| 9 | 104328 | HEEL LOOP PEG | |
| 10A | 104380-001 | ADJUSTABLE FOOT REST STRAP | 15" Footrest Width |
| 10B | 104380-002 | ADJUSTABLE FOOT REST STRAP | 16" Footrest Width |
| 10C | 104380-003 | ADJUSTABLE FOOT REST STRAP | 17-18" Footrest Width |
| 10D | 104380-004 | ADJUSTABLE FOOT REST STRAP | 19-22" Footrest Width |
| 11 | 104160 | BUSHING FOOTREST | |
| 11-14 | 107485 | FOOTREST CLAMP ASSM | |
| >>>> | | 60,70,80 HANGERS - SHORT EXT - RIGHT | |
| 1A,2A,3-10A | 107816 | CAA STRT SHT EXT ASM 15W R | Right- 15 W- SHORT |
| 1A,2B,3-10B | 107817 | CAA STRT SHT EXT ASM 16W R | Right- 16 W- SHORT |
| 1A,2C,3-10B | 107818 | CAA STRT SHT EXT ASM 17W R | Right- 17 W- SHORT |
| 1A,2D,3-10C | 107819 | CAA STRT SHT EXT ASM 18W R | Right- 18 W- SHORT |
| 1A,2E,3-10C | 107820 | CAA STRT SHT EXT ASM 19W R | Right- 19 W- SHORT |
| 1A,2F,3-10D | 107821 | CAA STRT SHT EXT ASM 20W R | Right- 20 W- SHORT |
| 1A,2G,3-10D | 107822 | CAA STRT SHT EXT ASM 21&22W R | Right- 21&22 W- SHORT |
| >>>> | | 60,70,80 HANGERS - SHORT EXT - LEFT | |
| 1A,2A,3-10A | 107823 | CAA STRT SHT EXT ASM 15W L | Left- 15 W- SHORT |
| 1A,2B,3-10B | 107824 | CAA STRT SHT EXT ASM 16W L | Left- 16 W- SHORT |
| 1A,2C,3-10B | 107825 | CAA STRT SHT EXT ASM 17W L | Left- 17 W- SHORT |
| 1A,2D,3-10C | 107826 | CAA STRT SHT EXT ASM 18W L | Left- 18 W- SHORT |
| 1A,2E,3-10C | 107827 | CAA STRT SHT EXT ASM 19W L | Left- 19 W- SHORT |
| 1A,2F,3-10D | 107828 | CAA STRT SHT EXT ASM 20W L | Left- 20 W- SHORT |
| 1A,2G,3-10D | 107829 | CAA STRT SHT EXT ASM 21&22W L | Left- 21&22 W- SHORT |
| >>>> | | 60,70,80& 60,70 HEMI HANGER- RIGHT | |
| 1B,2A,3-10A | 107830 | CAA STRT MED EXT ASM 15W R | Right- 15 W- MED |
| 1B,2B,3-10B | 107831 | CAA STRT MED EXT ASM 16W R | Right- 16 W- MED |
| 1B,2C,3-10B | 107832 | CAA STRT MED EXT ASM 17W R | Right- 17 W- MED |
| 1B,2D,3-10C | 107833 | CAA STRT MED EXT ASM 18W R | Right- 18 W- MED |
| 1B,2E,3-10C | 107834 | CAA STRT MED EXT ASM 19W R | Right- 19 W- MED |
| 1B,2F,3-10D | 107835 | CAA STRT MED EXT ASM 20W R | Right- 20 W- MED |
| 1B,2G,3-10D | 107836 | CAA STRT MED EXT ASM 21&22W R | Right- 21&22 W- MED |
| >>>> | | 60,70,80& 60,70 HEMI HANGER- LEFT | |
| 1B,2A,3-10A | 107837 | CAA STRT MED EXT ASM 15W L | Left- 15 W- MED |
| 1B,2B,3-10B | 107838 | CAA STRT MED EXT ASM 16W L | Left- 16 W- MED |
| 1B,2C,3-10B | 107839 | CAA STRT MED EXT ASM 17W L | Left- 17 W- MED |
| 1B,2D,3-10C | 107840 | CAA STRT MED EXT ASM 18W L | Left- 18 W- MED |
| 1B,2E,3-10C | 107841 | CAA STRT MED EXT ASM 19W L | Left- 19 W- MED |

| Pos. | Item Number | Description | Remarks |
|-------------|-------------|--------------------------------------|--------------------------------------------|
| 1B,2F,3-10D | 107842 | CAA STRT MED EXT ASM 20W L | Left- 20 W- MED |
| 1B,2G,3-10D | 107843 | CAA STRT MED EXT ASM 21&22W L | Left- 21&22 W- MED |
| >>>> | | 60,70,80& 60,70 HEMI HANGER- RIGHT | |
| 1C,2A,3-10A | 107844 | CAA STRT LNG EXT ASM 15W R | Right- 15 W- LONG |
| 1C,2B,3-10B | 107845 | CAA STRT LNG EXT ASM 16W R | Right- 16 W- LONG |
| 1C,2C,3-10B | 107846 | CAA STRT LNG EXT ASM 17W R | Right- 17 W- LONG |
| 1C,2D,3-10C | 107847 | CAA STRT LNG EXT ASM 18W R | Right- 18 W- LONG |
| 1C,2E,3-10C | 107848 | CAA STRT LNG EXT ASM 19W R | Right- 19 W- LONG |
| 1C,2F,3-10D | 107849 | CAA STRT LNG EXT ASM 20W R | Right- 20 W- LONG |
| 1C,2G,3-10D | 107850 | CAA STRT LNG EXT ASM 21&22W R | Right- 21&22 W- LONG |
| >>>> | | 60,70,80& 60,70 HEMI HANGER- LEFT | |
| 1C,2A,3-10A | 107851 | CAA STRT LNG EXT ASM 15W L | Left- 15 W- LONG |
| 1C,2B,3-10B | 107852 | CAA STRT LNG EXT ASM 16W L | Left- 16 W- LONG |
| 1C,2C,3-10B | 107853 | CAA STRT LNG EXT ASM 17W L | Left- 17 W- LONG |
| 1C,2D,3-10C | 107854 | CAA STRT LNG EXT ASM 18W L | Left- 18 W- LONG |
| 1C,2E,3-10C | 107855 | CAA STRT LNG EXT ASM 19W L | Left- 19 W- LONG |
| 1C,2F,3-10D | 107856 | CAA STRT LNG EXT ASM 20W L | Left- 20 W- LONG |
| 1C,2G,3-10D | 107857 | CAA STRT LNG EXT ASM 21&22W L | Left- 21&22 W- LONG |
| >>>> | | 60&70 HEMI HANGERS- SHORT EXT- RIGHT | |
| 1D,2A,3-10A | 129710 | CAA FOOT KIT SHT HNGR 15W R | Right-Hemi-15W; add Ext behind the Hemi |
| 1D,2B,3-10B | 129712 | CAA FOOT KIT SHT HNGR 16W R | Right-Hemi-16W; add Ext behind the Hemi |
| 1D,2C,3-10B | 129714 | CAA FOOT KIT SHT HNGR 17W R | Right-Hemi-17W; add Ext behind the Hemi |
| 1D,2D,3-10C | 129716 | CAA FOOT KIT SHT HNGR 18W R | Right-Hemi-18W; add Ext behind the Hemi |
| 1D,2E,3-10C | 129718 | CAA FOOT KIT SHT HNGR 19W R | Right-Hemi-19W; add Ext behind the Hemi |
| 1D,2F,3-10D | 129720 | CAA FOOT KIT SHT HNGR 20W R | Right-Hemi-20W; add Ext behind the Hemi |
| 1D,2G,3-10D | 129722 | CAA FOOT KIT SHT HNGR 22W R | Right-Hemi-21&22W; add Ext behind the Hemi |
| >>>> | | 60&70 HEMI HANGERS- SHORT EXT - LEFT | |
| 1D,2A,3-10A | 129711 | CAA FOOT KIT SHT HNGR 15W L | Left-Hemi-15W; add Ext behind the Hemi |
| 1D,2B,3-10B | 129713 | CAA FOOT KIT SHT HNGR 16W L | Left-Hemi-16W; add Ext behind the Hemi |
| 1D,2C,3-10B | 129715 | CAA FOOT KIT SHT HNGR 17W L | Left-Hemi-17W; add Ext behind the Hemi |
| 1D,2D,3-10C | 129717 | CAA FOOT KIT SHT HNGR 18W L | Left-Hemi-18W; add Ext behind the Hemi |
| 1D,2E,3-10C | 129719 | CAA FOOT KIT SHT HNGR 19W L | Left-Hemi-19W; add Ext behind the Hemi |
| 1D,2F,3-10D | 129721 | CAA FOOT KIT SHT HNGR 20W L | Left-Hemi-20W; add Ext behind the Hemi |
| 1D,2G,3-10D | 129723 | CAA FOOT KIT SHT HNGR 22W L | Left-Hemi-21&22W; add Ext behind the Hemi |
| | | Ship assembled part # | Use with multiple assemblies |
| | ASSY-HNG-FP | HANGER/FOOTPLATE ASSY REQUIRED | add with Hanger & Footplate kit |

Note: Footplate Assemblies are set to footrest width; please see "Footplate Formula" table for seat width conversion.

Note: If using Short Ext Tube & Hemi Hanger with Adult Angle Adjustable Footplate use 1D (straight) .

Note: V Style Hangers are not available on Swing Away Style chairs effective 7/14/14; see the "Prior To" ordering guide for V Style footplate assemblies.

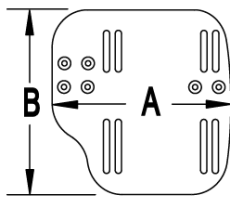
Note: for QX Series or SR45 footplate replacement parts see the ordering guide marked specifically for these two models in the informations panel.

Note: if chair has High Mount Ext Tubes or if switching to High Mount Ext Tubes, see AAA Footplate w/ High Mount Extension Ordering Guide.

| Adult Angle Adjustable "AAA" Footplates w/ Ext & HL for Swing I/O Hangers (Order 1 each) | | | | |
|------------------------------------------------------------------------------------------------|--------------------------------------------------------------------------------|-----------------------------------------------|--------|--------|
| Ext. Tube Width | Short Style Hangers (Short Straight Extension) (Short Hemi Straight Ext) | Standard Style Hanger (Straight Extension) | | |
| | Short Hemi | Short | Med | Long |
| 12-13" Rt | 129756 | 111534 | 111536 | 111538 |
| 12-13" Lt | 129757 | 111535 | 111537 | 111539 |
| 14"-15" Rt | 129758 | 107928 | 107942 | 107956 |
| 14"-15" Lt | 129759 | 107935 | 107949 | 107963 |
| 16"-17" Rt | 129760 | 107930 | 107944 | 107958 |
| 16"-17" Lt | 129761 | 107937 | 107951 | 107965 |
| 18"-22" Rt | 129762 | 107932 | 107946 | 107960 |
| 18"-22" Lt | 129763 | 107939 | 107953 | 107968 |

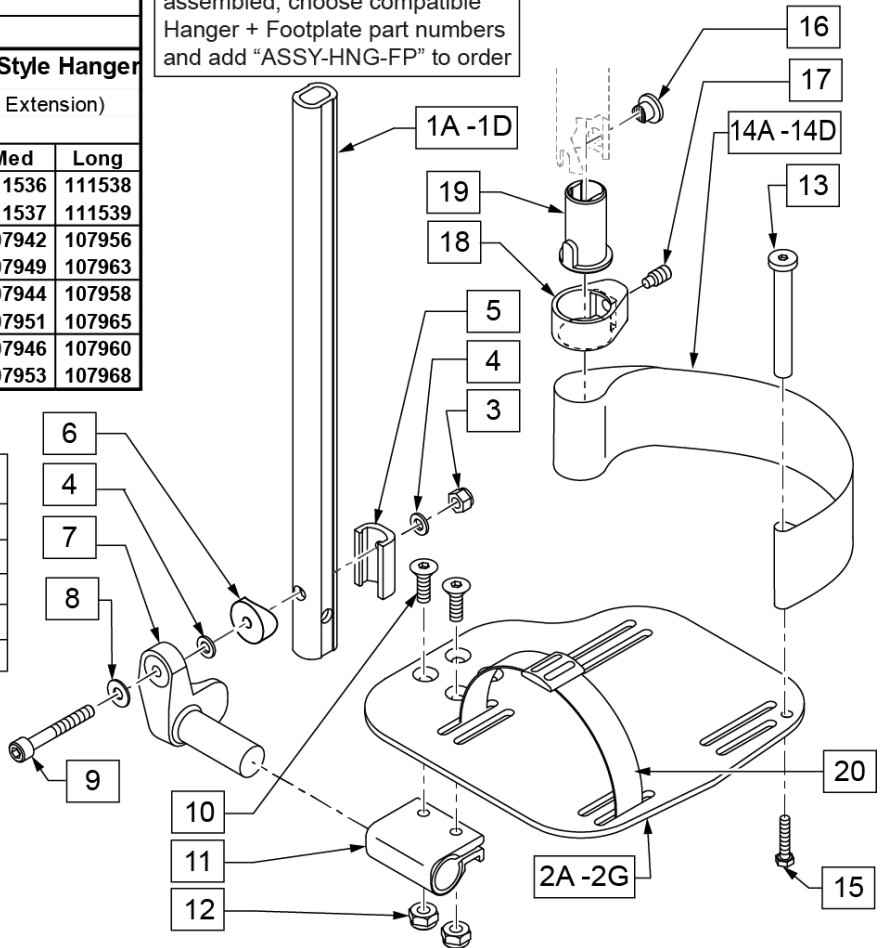
To have complete Footrest ship assembled, choose compatible Hanger + Footplate part numbers and add "ASSY-HNG-FP" to order

MEASURING GUIDE



| CHAIR WIDTH | "A" | "B" |
|-------------|--------|--------|
| 10" - 11" | 3 1/2" | 7 1/4" |
| 12" - 13" | 4 1/2" | 7 3/4" |
| 14" - 15" | 5 1/2" | 7 3/4" |
| 16" - 17" | 6 1/2" | 7 3/4" |
| 18" - 20" | 7 1/2" | 7 3/4" |

ADD INSET FORMULA
 0" Inset (Seat Width) = Footrest Width
 1" Inset (Seat Width) -2" = Footrest Width
 2" Inset (Seat Width) -4" = Footrest Width
 "V" Hanger (Seat Width) -4" = Footrest Width
 Offset Hanger Receiver (Seat Width) +2" = Footrest Width
 Flared Frame (Seat Width) = 2" = Footrest Width



| Pos. | Item Number | Description | Remarks |
|----------------|-------------|---------------------------------------|------------------------------|
| 1A,3-6,8,9 | 120670 | SHT STRT EXT AAA HDWR | |
| 1B,3-6,8,9 | 120671 | MED STRT EXT AAA HDWR | |
| 1C,3-6,8,9 | 120672 | LNG STRT EXT AAA HDWR | |
| 1D | 128079 | TUBE FTRST EXT STRGHT SHT HEMI | Use for Hemi Ext Tube option |
| 2A | 500656 | ADULT ANG ADJ F/PLT 10/11" R | RIGHT 10-11" Footrest Width |
| 2A | 500657 | ADULT ANG ADJ F/PLT 10/11" L | LEFT 10-11" Footrest Width |
| 2B | 500658 | ADULT ANG ADJ F/PLT 12/13" R | RIGHT 12-13" Footrest Width |
| 2B | 500659 | ADULT ANG ADJ F/PLT 12/13" L | LEFT 12-13" Footrest Width |
| 2C | 500660 | ADLT ANGL ADJ F/PLT 14/15 | RIGHT 14-15" Footrest Width |
| 2C | 500661 | ADLT ANGL ADJ F/PLT 14/15 | LEFT 14-15" Footrest Width |
| 2D | 500662 | ADLT ANGL ADJ F/PLT 16/17 | RIGHT 16-17" Footrest Width |
| 2D | 500663 | ADLT ANGL ADJ F/PLT 16/17 | LEFT 16-17" Footrest Width |
| 2E | 500664 | ADLT ANGL ADJ F/PLT 18-20 | RIGHT 18-22" Footrest Width |
| 2E | 500665 | ADLT ANGL ADJ F/PLT 18-20 | LEFT 18-22" Footrest Width |
| 3 | 132626 | NUT AUTOMATION M6 X 1.0 | |
| 4 | 106944 | WASHER FLAT THIN AN 1/4 ROHS | |
| 5 | 107199 | HANGER EXTENSION SADDLE | |
| 6 | 104377 | 3/4" SADDLE THIN | |
| 7 | 541002 | FTRST MOUNTING BRKT-3/8 RAD R | RIGHT |
| 7 | 541003 | FTRST MOUNTING BRKT-3/8 RAD L | LEFT |
| 8 | 106945 | WASHER FLAT SAE 1/4 ROHS | |
| 9 | 104399 | SHCS M6X1X45 12 MM PART THD | |
| 10 | 106978 | FHCS 1/4-28 X 7/8 ROHS | |
| 11 | 550350 | 3/4" CLMP ADJ FT PLT | |
| 12 | 106935 | NUT NYLOCK THIN 1/4-28 ROHS | |
| 13 | 104328 | POST HEEL LOOP | |
| 14A | 104380-001 | ADJUSTABLE FOOT REST STRAP | 12 - 14" WIDE |
| 14B | 104380-002 | ADJUSTABLE FOOT REST STRAP | 15 - 16" WIDE |
| 14C | 104380-003 | ADJUSTABLE FOOT REST STRAP | 17 - 18" WIDE |
| 14D | 104380-004 | ADJUSTABLE FOOT REST STRAP | 19 - 20" WIDE |
| 15 | 102268-001 | HHCS M6 X 1 X 25 | |
| 3-6,8,9 | 120659 | EXT MNT HARDWARE 1 SIDE | |
| 16-19 | 107485 | FOOTREST CLAMP ASSM | |
| 20 | 740260 | TOE-ANKLE STRAP ADJ ADULT FOOTPLATE | |
| >>>> | | 60,70,80 STD HANGERS - RIGHT | |
| 1A,2B,3-14A,15 | 111534 | AAA STRT SHT EXT ASM 12-13" W R | Right- 12-13" W- SHORT |
| 1A,2C,3-14B,15 | 107928 | AAA STRT SHT EXT ASM 14-15" W R | Right- 14-15" W- SHORT |
| 1A,2D,3-14C,15 | 107930 | AAA STRT SHT EXT ASM 16-17" W R | Right- 16-17" W- SHORT |
| 1A,2E,3-14D,15 | 107932 | AAA STRT SHT EXT ASM 18-22" W R | Right- 18-22" W- SHORT |
| >>>> | | 60,70,80 STD HANGERS - LEFT | |
| 1A,2B,3-14A,15 | 111535 | AAA STRT SHT EXT ASM 12-13" W L | Left- 12-13" W- SHORT |
| 1A,2C,3-14B,15 | 107935 | AAA STRT SHT EXT ASM 14" W L | Left- 14-15" W- SHORT |
| 1A,2D,3-14C,15 | 107937 | AAA STRT SHT EXT ASM 16" W L | Left- 16-17" W- SHORT |
| 1A,2E,3-14D,15 | 107939 | AAA STRT SHT EXT ASM 18" W L | Left- 18-22" W- SHORT |
| >>>> | | 60,70,80 & 60,70 HEMI HANGERS - RIGHT | |
| 1B,2B,3-14A,15 | 111536 | AAA STRT MED EXT ASM 12-13" W R | Right- 12-13" W- MED |
| 1B,2C,3-14B,15 | 107942 | AAA STRT MED EXT ASM 14-15" W R | Right- 14-15" W- MED |
| 1B,2D,3-14C,15 | 107944 | AAA STRT MED EXT ASM 16-17" W R | Right- 16-17" W- MED |
| 1B,2E,3-14D,15 | 107946 | AAA STRT MED EXT ASM 18-22" W R | Right- 18-22" W- MED |
| >>>> | | 60,70,80 & 60,70 HEMI HANGERS - LEFT | |
| 1B,2B,3-14A,15 | 111537 | AAA STRT MED EXT ASM 12-13" W L | Left- 12-13" W- MED |
| 1B,2C,3-14B,15 | 107949 | AAA STRT MED EXT ASM 14" W L | Left- 14-15" W- MED |
| 1B,2D,3-14C,15 | 107951 | AAA STRT MED EXT ASM 16" W L | Left- 16-17" W- MED |
| 1B,2E,3-14D,15 | 107953 | AAA STRT MED EXT ASM 18" W L | Left- 18-22" W- MED |
| >>>> | | 60,70,80 & 60,70 HEMI HANGERS - RIGHT | |
| 1C,2B,3-14A,15 | 111538 | AAA STRT LNG EXT ASM 12-13" W R | Right- 12-13" W- LONG |
| 1C,2C,3-14B,15 | 107956 | AAA STRT LNG EXT ASM 14 - 15" W R | Right- 14-15" W- LONG |

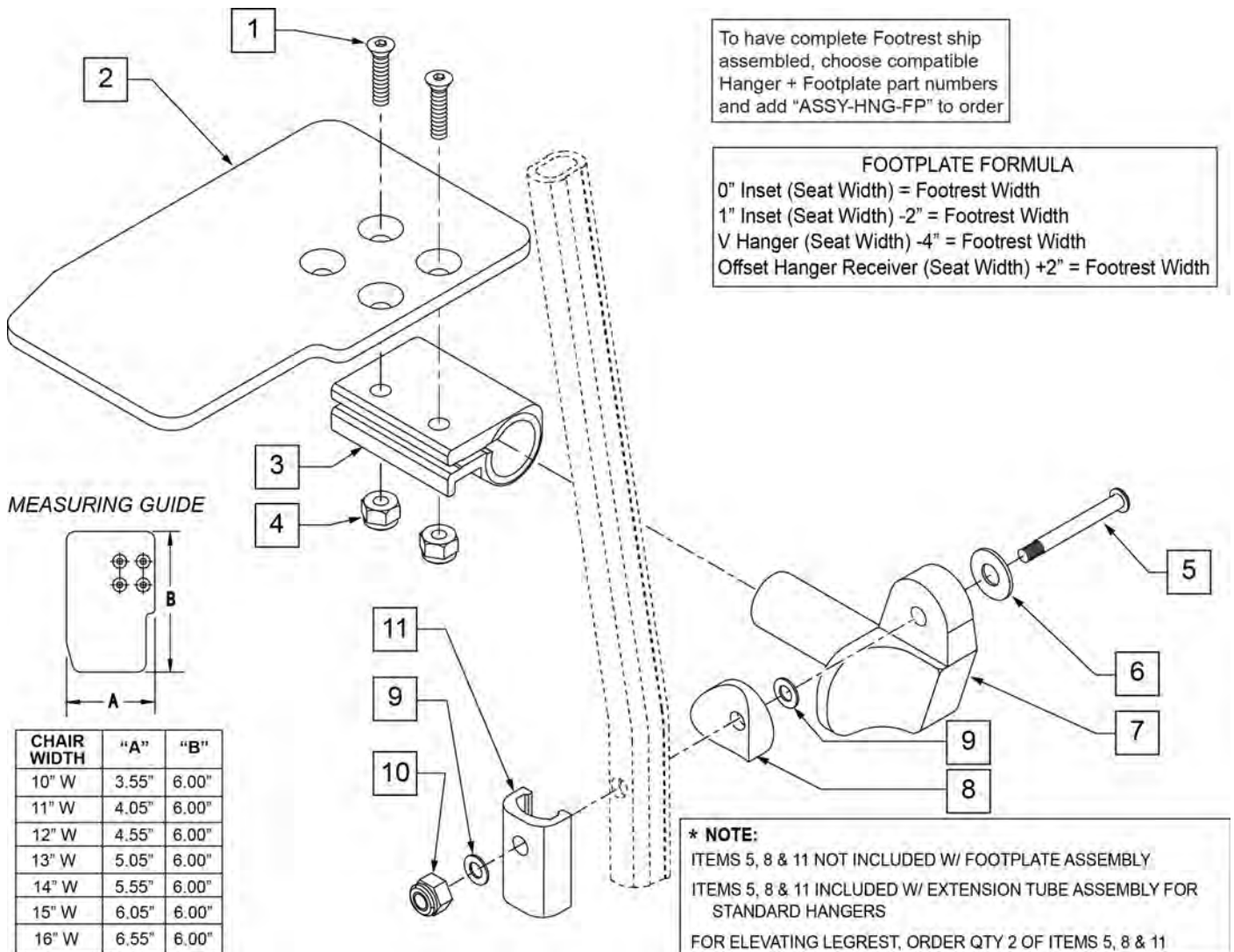
| Pos. | Item Number | Description | Remarks |
|----------------|-------------|----------------------------------------|-------------------------------------------------|
| 1C,2D,3-14C,15 | 107958 | AAA STRT LNG EXT ASM 16 -17" W R | Right- 16-17" W- LONG |
| 1C,2E,3-14D,15 | 107960 | AAA STRT LNG EXT ASM 18 -22" W R | Right- 18-22" W- LONG |
| >>>> | | 60,70,80 & 60,70 HEMI HANGERS - LEFT | |
| 1C,2B,3-14A,15 | 111539 | AAA STRT LNG EXT ASM 12-13" W L | Left- 12-13" W- LONG |
| 1C,2C,3-14B,15 | 107963 | AAA STRT LNG EXT ASM 14W L | Left- 14-15" W- LONG |
| 1C,2D,3-14C,15 | 107965 | AAA STRT LNG EXT ASM 16W L | Left- 16-17" W- LONG |
| 1C,2E,3-14D,15 | 107968 | AAA STRT LNG EXT ASM 18W L | Left- 18-22" W- LONG |
| >>>> | | 60&70 HEMI HANGERS - SHORT EXT - RIGHT | |
| 1D,2B,3-14A,15 | 129756 | AAA FOOT KIT SHT HNGR 12W R | Right- 12-13" W- SHORT; add Ext behind the Hemi |
| 1D,2C,3-14B,15 | 129758 | AAA FOOT KIT SHT HNGR 14W R | Right- 14-15" W- SHORT; add Ext behind the Hemi |
| 1D,2D,3-14C,15 | 129760 | AAA FOOT KIT SHT HNGR 16W R | Right- 16-17" W- SHORT; add Ext behind the Hemi |
| 1D,2E,3-14D,15 | 129762 | AAA FOOT KIT SHT HNGR 18W R | Right- 18-22" W- SHORT; add Ext behind the Hemi |
| >>>> | | 60&70 HEMI HANGERS - SHORT EXT -LEFT | |
| 1D,2B,3-14A,15 | 129757 | AAA FOOT KIT SHT HNGR 12W L | Left- 12-13" W-SHORT; add Ext behind the Hemi |
| 1D,2C,3-14B,15 | 129759 | AAA FOOT KIT SHT HNGR 14W L | Left- 14-15" W- SHORT; add Ext behind the Hemi |
| 1D,2D,3-14C,15 | 129761 | AAA FOOT KIT SHT HNGR 16W L | Left- 16-17" W- SHORT; add Ext behind the Hemi |
| 1D,2E,3-14D,15 | 129763 | AAA FOOT KIT SHT HNGR 18W L | Left- 18-22" W- SHORT; add Ext behind the Hemi |
| | | Ship assembled part # | Use with multiple assemblies |
| | ASSY-HNG-FP | HANGER/FOOTPLATE ASSY REQUIRED | add with Hanger & Footplate kit |

Note: Footplate Assemblies are set to footrest width; please see "Footplate Formula" table for seat width conversion.

Note: V Style Hangers are not available on Swing Away Style chairs effective 7/14/14; see the "Prior To" ordering guide for V Style footplate assemblies.

Note: Zippie Iris (ZRS&ZRSE) and Zippie TS (Z1A&Z1SE) only use Straight Extension Tube.

Note: if chair has High Mount Ext Tubes or if switching to High Mount Ext Tubes, see KAA Footplate w/ High Mount Extension Ordering Guide.

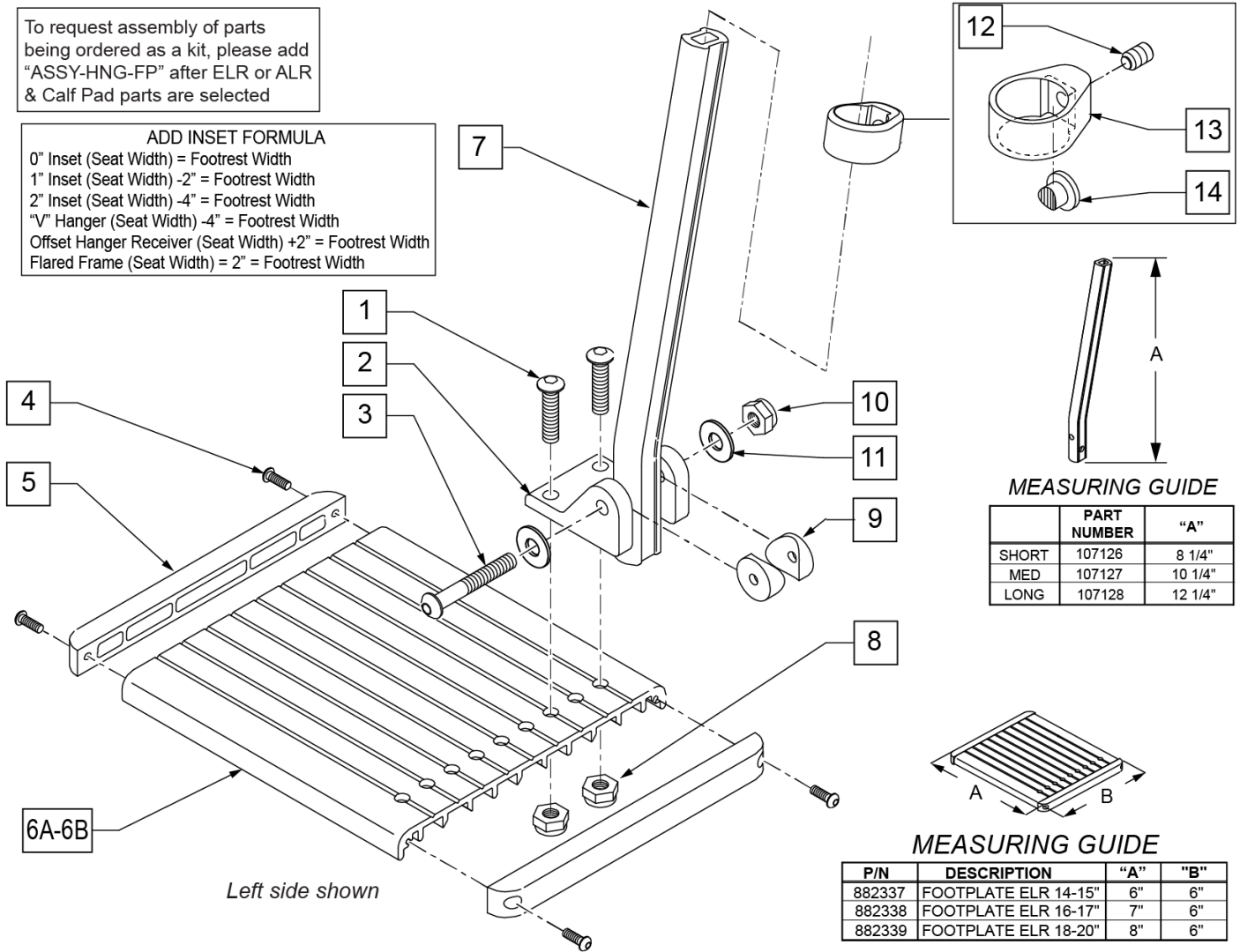


| Pos. | Item Number | Description | Remarks |
|------|-------------|---------------------------|---------|
| 1 | 106978 | FHCS 1/4 -28 x 7/8 ROHS | |
| 2 | 500635 | KIDS ANGL ADJ F/PLT 10" R | Right |

| Pos. | Item Number | Description | Remarks |
|--------------|-------------|---------------------------------------------------|---------------------------------|
| 2 | 500636 | KIDS ANGL ADJ F/PLT 10" L | Left |
| 2 | 500637 | KIDS ANGL ADJ F/PLT 11" R | Right |
| 2 | 500638 | KIDS ANGL ADJ F/PLT 11" L | Left |
| 2 | 500639 | KIDS ANGL ADJ F/PLT 12" R | Right |
| 2 | 500640 | KIDS ANGL ADJ F/PLT 12" L | Left |
| 2 | 500641 | KIDS ANGL ADJ F/PLT 13" R | Right |
| 2 | 500642 | KIDS ANGL ADJ F/PLT 13" L | Left |
| 2 | 500643 | KIDS ANGL ADJ F/PLT 14" R | Right |
| 2 | 500644 | KIDS ANGL ADJ F/PLT 14" L | Left |
| 2 | 500645 | KIDS ANGL ADJ F/PLT 15" R | Right |
| 2 | 500646 | KIDS ANGL ADJ F/PLT 15" L | Left |
| 2 | 500647 | KIDS ANGL ADJ F/PLT 16" R | Right |
| 2 | 500648 | KIDS ANGL ADJ F/PLT 16" L | Left |
| 3 | 550350 | 3/4" CLAMP ADJ FOOTPLATE | |
| 4 | 106935 | NUT NYLOCK THIN 1/4 -28 ROHS | |
| 5 | 106962 | 1/4-28 x 1 3/4 BH C/S BLK ZN (D2 EXTENSION TUBES) | |
| 5 | 226167 | 1/4-28 x 1.625 BH C/S BLK (ROUND EXTENSION TUBES) | |
| 6 | 106945 | 1/4 SAE WASHER | |
| 7 | 541002 | FTRST MOUNTING BRKT-3/8 RAD R | |
| 7 | 541003 | FTRST MOUNTING BRKT-3/8 RAD L | |
| 8 | 561055 | 3/4" SADDLE 1" OD | |
| 9 | 106944 | WASHER FLAT THIN AN 1/4 ROHS | |
| 10 | 106941 | NUT AUTOMATION 1/4 -28 ROHS | |
| 11 | 483720 | HANGER EXTENSION SADDLE LONG | Use with Double D Ext Tube |
| 1-4,6,7,9,10 | 828850 | KIDS ANG ADJ F/PLT EXT-MNT 10"R | Right |
| 1-4,6,7,9,10 | 828851 | KIDS ANG ADJ F/PLT EXT-MNT 10"L | Left |
| 1-4,6,7,9,10 | 828852 | KIDS ANG ADJ F/PLT EXT-MNT 11"R | Right |
| 1-4,6,7,9,10 | 828853 | KIDS ANG ADJ F/PLT EXT-MNT 11"L | Left |
| 1-4,6,7,9,10 | 828854 | KIDS ANG ADJ F/PLT EXT-MNT 12"R | Right |
| 1-4,6,7,9,10 | 828855 | KIDS ANG ADJ F/PLT EXT-MNT 12"L | Left |
| 1-4,6,7,9,10 | 828856 | KIDS ANG ADJ F/PLT EXT-MNT 13"R | Right |
| 1-4,6,7,9,10 | 828857 | KIDS ANG ADJ F/PLT EXT-MNT 13"L | Left |
| 1-4,6,7,9,10 | 828858 | KIDS ANG ADJ F/PLT EXT-MNT 14"R | Right |
| 1-4,6,7,9,10 | 828859 | KIDS ANG ADJ F/PLT EXT-MNT 14"L | Left |
| 1-4,6,7,9,10 | 828860 | KIDS ANG ADJ F/PLT EXT-MNT 15"R | Right |
| 1-4,6,7,9,10 | 828861 | KIDS ANG ADJ F/PLT EXT-MNT 15"L | Left |
| 1-4,6,7,9,10 | 828862 | KIDS ANG ADJ F/PLT EXT-MNT 16"R | Right |
| 1-4,6,7,9,10 | 828863 | KIDS ANG ADJ F/PLT EXT-MNT 16"L | Left |
| 1-4,6,7,9,10 | 921280 | KIDS ANG ADJ F/PLT EXT-MNT 10" | Pair |
| 1-4,6,7,9,10 | 921281 | KIDS ANG ADJ F/PLT EXT-MNT 11" | Pair |
| 1-4,6,7,9,10 | 921282 | KIDS ANG ADJ F/PLT EXT-MNT 12" | Pair |
| 1-4,6,7,9,10 | 921283 | KIDS ANG ADJ F/PLT EXT-MNT 13" | Pair |
| 1-4,6,7,9,10 | 921284 | KIDS ANG ADJ F/PLT EXT-MNT 14" | Pair |
| 1-4,6,7,9,10 | 921285 | KIDS ANG ADJ F/PLT EXT-MNT 15" | Pair |
| 1-4,6,7,9,10 | 921286 | KIDS ANG ADJ F/PLT EXT-MNT 16" | Pair |
| | | Ship assembled part # | Use with multiple assemblies |
| | ASSY-HNG-FP | HANGER/FOOTPLATE ASSY REQUIRED | add with Hanger & Footplate kit |

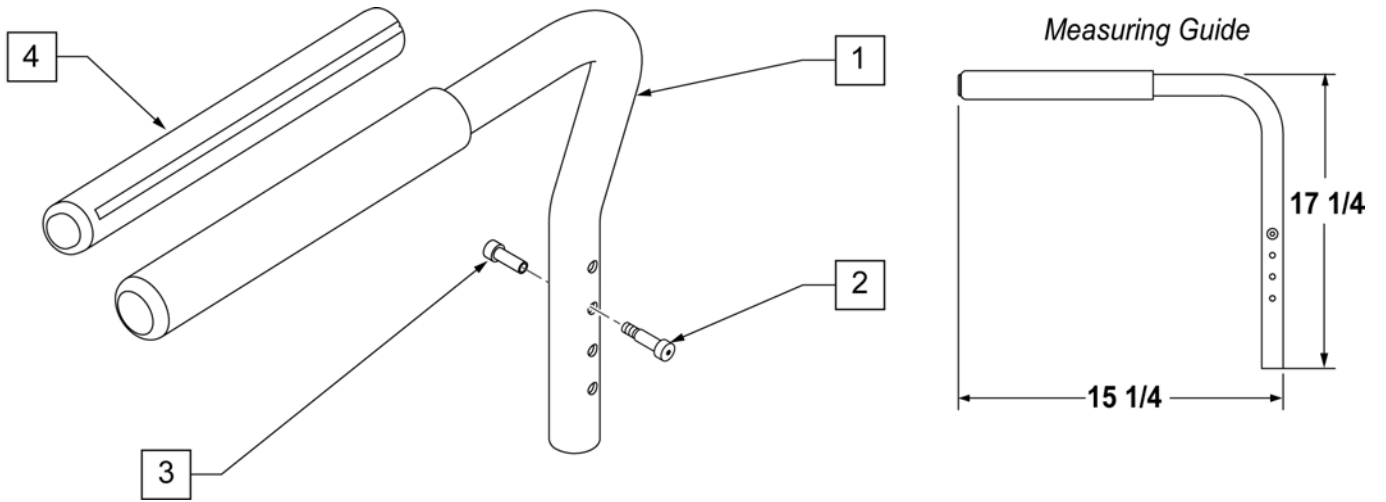
To request assembly of parts being ordered as a kit, please add "ASSY-HNG-FP" after ELR or ALR & Calf Pad parts are selected

ADD INSET FORMULA
 0" Inset (Seat Width) = Footrest Width
 1" Inset (Seat Width) -2" = Footrest Width
 2" Inset (Seat Width) -4" = Footrest Width
 "V" Hanger (Seat Width) -4" = Footrest Width
 Offset Hanger Receiver (Seat Width) +2" = Footrest Width
 Flared Frame (Seat Width) = 2" = Footrest Width



| Pos. | Item Number | Description | Remarks |
|----------|-------------|--------------------------------|------------------------------------------------------|
| 1 | 226090 | 1/4-28 x 5/8 BH C/S | |
| 2 | 118093 | BRACKET FOOTPLATE ALUM | |
| 3 | 102262-008 | BHCS M6 X 1 X 50 INORGANIC | |
| 4 | 281043 | #4 x 5/8 PAN PHIL S/TAP | |
| 5 | 560101 | END CAPS FOOTREST | |
| 7 | 107126 | SHORT BENT | |
| 7 | 107127 | MED BENT | |
| 7 | 107128 | LONG BENT | |
| 7 | 128078 | TUBE FOOTREST EXT SHT HEMI | Use for Hemi Extension option |
| 8 | 106935 | 1/4-28 NYLOCK NUT THIN | |
| 9 | 561003 | 3/4" SADDLE THIN | |
| 10 | 132626 | NUT AUTOMATION M6 X 1.0 | |
| 11 | 107383 | WASHER FLAT M6 ROHS | |
| 4,5,6A | 882337 | ELR FOOTPLATE ASSEMBLY 14 -15" | |
| 4,5,6B | 882338 | ELR FOOTPLATE ASSEMBLY 16 -17" | |
| 4,5,6C | 882339 | ELR FOOTPLATE ASSEMBLY 18 -20" | |
| 12-14 | 119495 | EXTENSION CLAMP KIT | |
| 1,3,8-11 | 129775 | ALU FOOTPLATE HDWARE KIT | Ext tube not included; bracket (118093) not included |
| | | Ship assembled part # | Use with multiple assemblies |

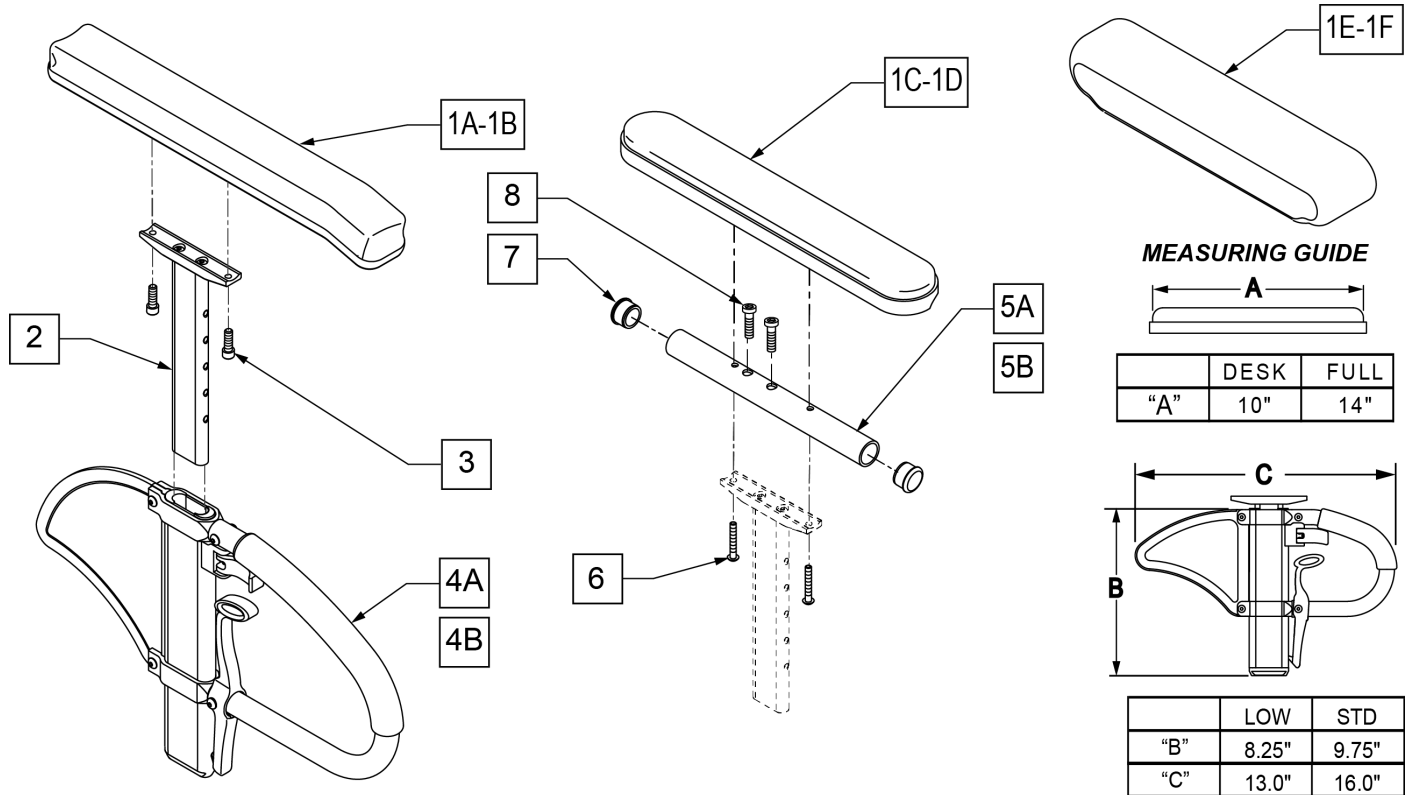
| Pos. | Item Number | Description | Remarks |
|-------------|--------------------|--------------------------------|---------------------------------|
| | ASSY-HNG-FP | HANGER/FOOTPLATE ASSY REQUIRED | add with Hanger & Footplate kit |



| Pos. | Item Number | Description | Remarks |
|------|-------------|------------------------------|---------|
| 1-3 | 120736 | PADDED ARMREST S/A R W/ HDWR | Right |
| 1-3 | 120737 | PADDED ARMREST S/A L W/ HDWR | Left |
| 2,3 | 108118 | SEXBOLT SA ARMREST KIT | PAIR |
| 4 | 108315 | GEL PAD S/A ARM | PAIR |

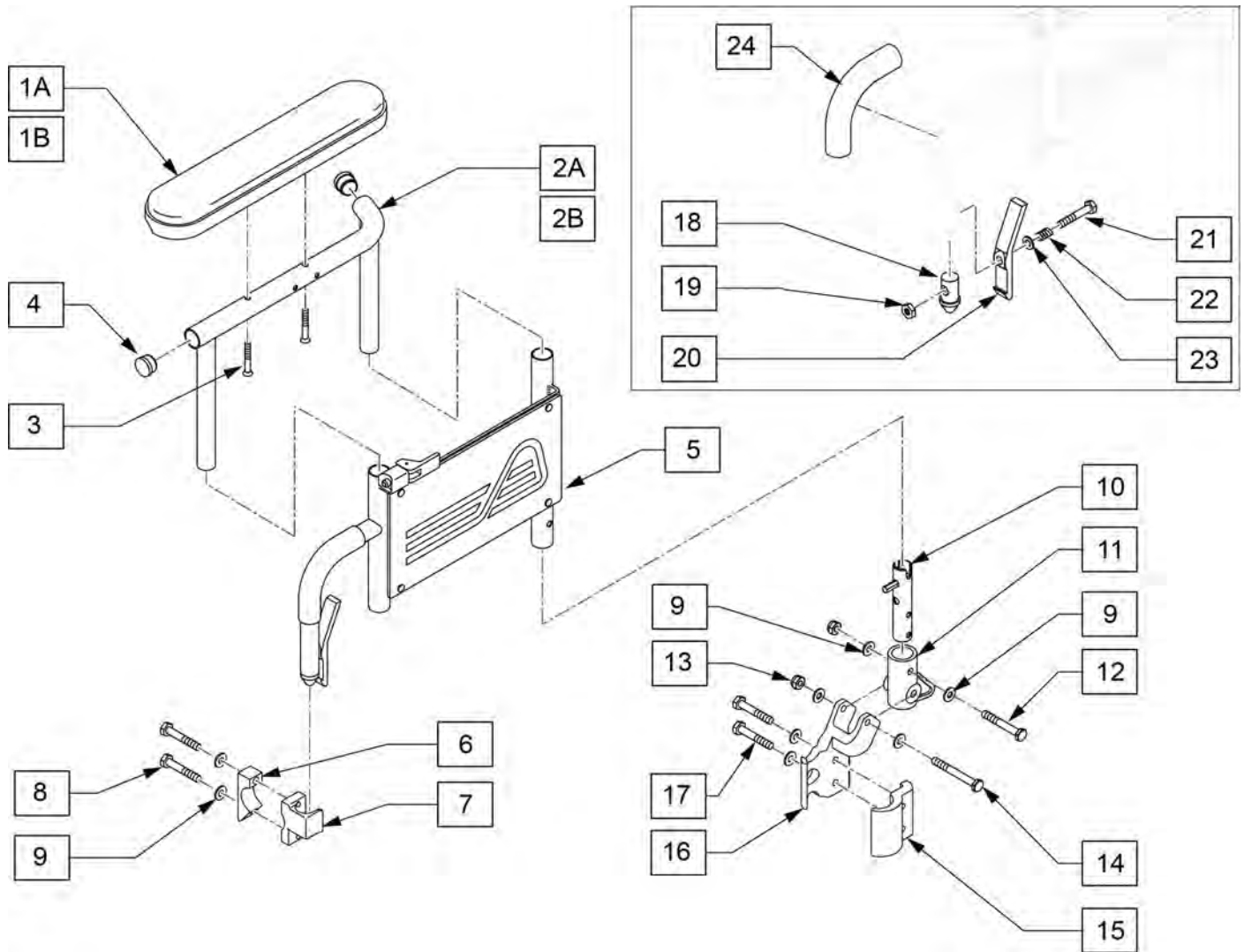
Note: Fits most Manual Products, not all Armrest Pads are offered on all chairs, consult product order form for compatibility.

Note: if switching from Desk to Full Length Armrest Pad OR switching from Full Length to Desk Armrest Pad, the following items are required: 1C/1D, 5A/5B, and 6-8.



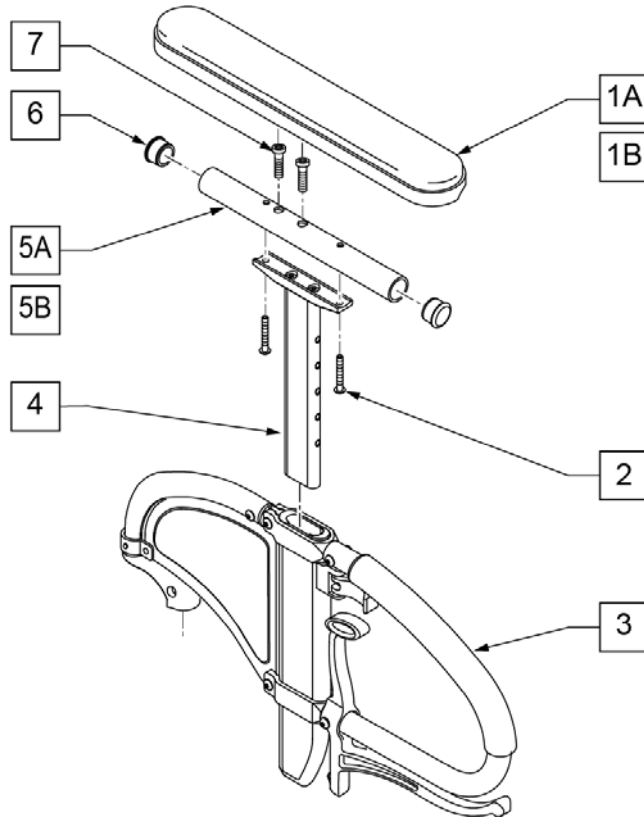
| Pos. | Item Number | Description | Remarks |
|------|-------------|-------------------------------|-----------------------------------|
| 1A | 104568-001 | SPHA PAD DESK | CONTOUR DESK |
| 1B | 104568-002 | SPHA PAD FULL | CONTOUR FULL |
| 1C | 561024 | ARMREST PAD 10" DESK | CLASSIC DESK |
| 1D | 561031 | ARMREST PAD 14" FULL | CLASSIC FULL |
| 1E | 561280 | ARMREST PAD 10" LEFT W/F | Left-Waterfall Desk |
| 1E | 561281 | ARMREST PAD 10" RIGHT W/F | Rightt-Waterfall Desk |
| 1F | 561284 | ARMREST PAD 14" LEFT W/F | Leftt-Waterfall Full |
| 1F | 561285 | ARMREST PAD 14" RIGHT W/F | Rightt-Waterfall Full |
| 2 | 116312 | SNGL POST UPPR ASSM LOW | LOW/SMALL |
| 2 | 116313 | SNGL POST UPPR ASSM STD | STANDARD |
| 3 | 106956 | SHCS 10-32 X 3/4 ROHS | |
| 2,4A | 104509-001 | SPHA ARMREST ASSY STD | STANDARD |
| 2,4B | 104509-002 | SPHA ARMREST ASSY LOW | LOW/SMALL |
| 5A | 521812 | HT ADJ PD TUBE 10IN DESK POWE | Desk |
| 5B | 521813 | HT ADJ PD TUBE 14IN FULL POWE | Full |
| 6 | 107024 | BHCS 10-32 X 1 1/2 ROHS | |
| 7 | 560735 | 7/8" ROUND TUBE PLUG | |
| 8 | 108534 | SHCS 10-32 X 1-1/4 PL | Used with Full Length & Waterfall |

| Pos. | Item Number | Description | Remarks |
|------------------|--------------------|----------------------------|----------------|
| 1C,2,3,4A,5A,6,7 | 108599 | SPHA STD CLASIC DESK PAD R | Right |
| 1C,2,3,4A,5A,6,7 | 108603 | SPHA STD CLASIC DESK PAD L | Left |
| 1D,2,3,4A,5B,6-8 | 108601 | SPHA STD CLASIC FULL PAD R | Right |
| 1D,2,3,4A,5B,6-8 | 108605 | SPHA STD CLASIC FULL PAD L | Left |
| 1A,2,3,4A | 108595 | SPHA STD CNTUR DESK PAD | |
| 1B,2,3,4A | 108597 | SPHA STD CNTUR FULL PAD | |
| 1C,2,3,4B,5A,6,7 | 108600 | SPHA LOW CLASIC DESK PAD R | Right |
| 1C,2,3,4B,5A,6,7 | 108604 | SPHA LOW CLASIC DESK PAD L | Left |
| 1D,2,3,4B,5B,6-8 | 108602 | SPHA LOW CLASIC FULL PAD R | Right |
| 1D,2,3,4B,5B,6-8 | 108606 | SPHA LOW CLASIC FULL PAD L | Left |
| 1A,2,3,4B | 108596 | SPHA LOW CNTUR DESK PAD | |
| 1B,2,3,4B | 108598 | SPHA LOW CNTUR FULL PAD | |
| 1C,2,5A,6,7 | 159600 | SPHA STD CLAS DESK UPPR R | |
| 1C,2,5A,6,7 | 159601 | SPHA STD CLAS DESK UPPR L | |
| 1D,2,5B,6-8 | 159602 | SPHA STD CLAS FULL UPPR R | |
| 1D,2,5B,6-8 | 159603 | SPHA STD CLAS FULL UPPR L | |
| 1C,2,5A,6,7 | 159604 | SPHA LOW CLAS DESK UPPR R | |
| 1C,2,5A,6,7 | 159605 | SPHA LOW CLAS DESK UPPR L | |
| 1D,2,5B,6-8 | 159606 | SPHA LOW CLAS FULL UPPR R | |
| 1D,2,5B,6-8 | 159607 | SPHA LOW CLAS FULL UPPR L | |

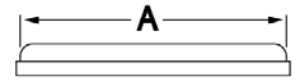


| Pos. | Item Number | Description | Remarks |
|-----------|-------------|-------------------------------------|---------|
| 1A | 561024 | ARMREST PAD 10" DESK | |
| 1B | 561031 | ARMREST PAD 14" FULL | |
| 3 | 226030-QU | 10 -32 x 1 1/4 BH C/S BLK | |
| 4 | 560735 | 7/8" ROUND TUBE PLUG | |
| 1A,2A,3,4 | 880390 | F-BCK HT ADJ UPR ARM DSK PWR R | RIGHT |
| 1A,2A,3,4 | 880391 | F-BCK HT ADJ UP ARMDSK PWR L | LEFT |
| 1B,2B,3,4 | 880392 | F-BCK HT ADJ UPR ARM PWR FL R | RIGHT |
| 1B,2B,3,4 | 880393 | F-BCK HT ADJ UPR ARM PWR FL L | LEFT |
| 5 | 880284 | FLIP-BACK HT ADJ LOWER ARM ASSM M L | RIGHT |
| 5 | 880285 | FLIP-BACK HT ADJ LOWER ARM ASSM M L | LEFT |
| 6 | 550256 | CLAMP ADJ FL STD | |
| 7 | 241128 | ARMREST FRONT RECEIVER RH | RIGHT |
| 7 | 241127 | ARMREST FRONT RECEIVER LH | LEFT |
| 10 | 880261 | REC POST W/BUTTON | |
| 11 | 241243 | ARM RECEIVER PLASTIC | |
| 15 | 118578 | PADDED S/A CLAMP | |
| 16 | 118641 | FLIP BACK REC CLAMP RH | RIGHT |
| 16 | 118767 | FLIP BACK REC CLAMP LH | LEFT |
| 24 | 560610 | 5 x .705 x .125 FOAM TUBE | |

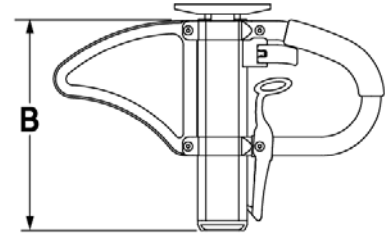
| Pos. | Item Number | Description | Remarks |
|--------------|--------------------|------------------------------|----------------|
| 6-9 | 161247 | FRONT REC DP QXI RH | RIGHT |
| 6-9 | 161248 | FRONT REC DP QXI LH | LEFT |
| 9-17 | 161249 | REAR REC DP QXI RH ASSM | RIGHT |
| 9-17 | 161250 | REAR REC DP QXI LH ASSM | LEFT |
| 8,9,12-14,17 | 161251 | FASTENER KIT HT ADJ DP ARM | one side |
| 1A,2A,3-17 | 161253 | DP ARMREST 10 IN RH QXI ASSM | RIGHT |
| 1A,2A,3-17 | 161254 | DP ARMREST 10 IN LH QXI ASSM | LEFT |
| 1A,2A,3-17 | 161255 | DP ARMREST 10 IN PR QXI ASSM | PAIR |
| 1B,2B,3-17 | 161256 | DP ARMREST 14 IN RH QXI ASSM | RIGHT |
| 1B,2B,3-17 | 161257 | DP ARMREST 14 IN LH QXI ASSM | LEFT |
| 1B,2B,3-17 | 161258 | DP ARMREST 14 IN PR QXI ASSM | PAIR |
| 18-23 | 161252 | RELEASE LEVER REPAIR KIT DP | |
| 24 | 560610 | 5 x .705 x .125 FOAM TUBE | |



MEASURING GUIDE

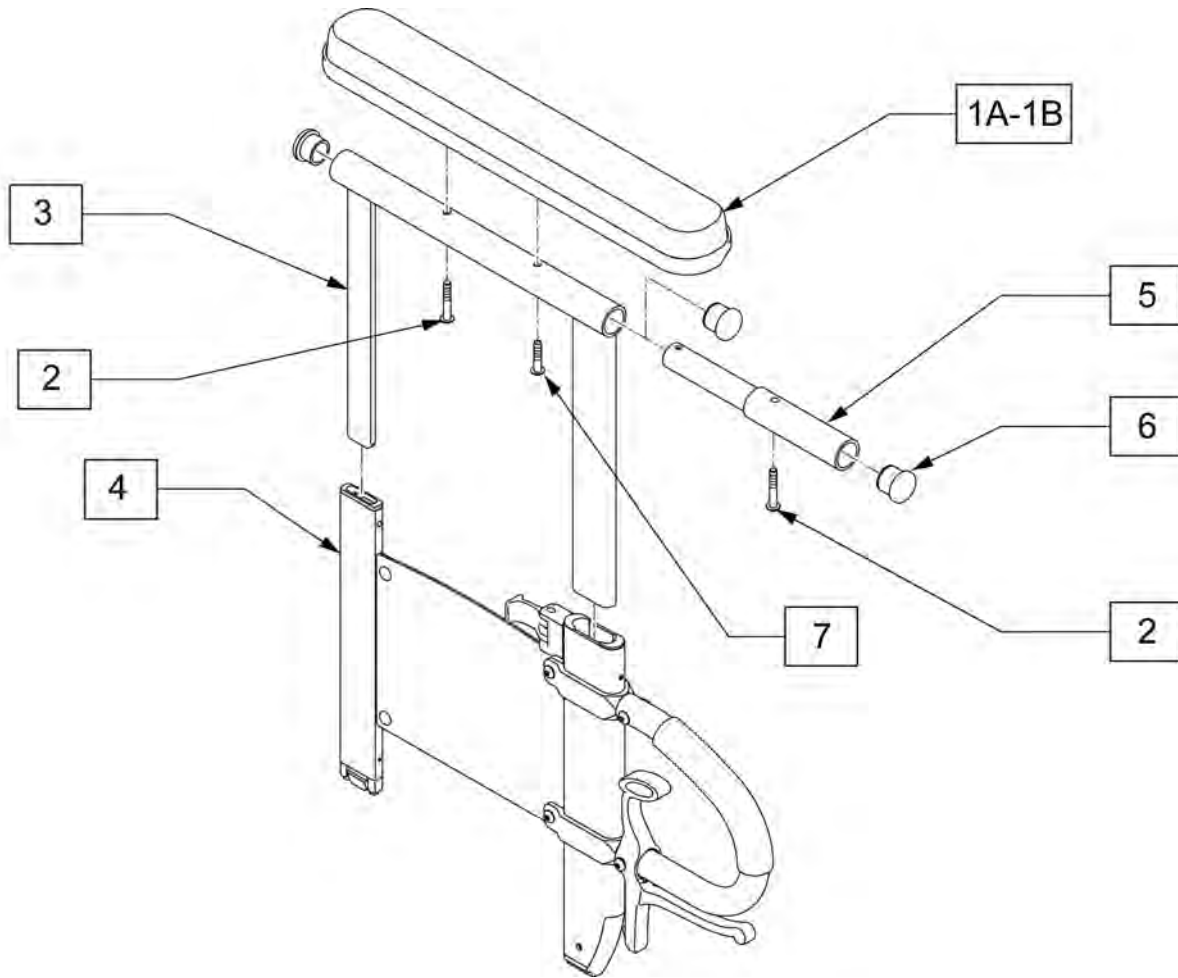


| | | |
|---|------|------|
| | DESK | FULL |
| A | 10" | 14" |

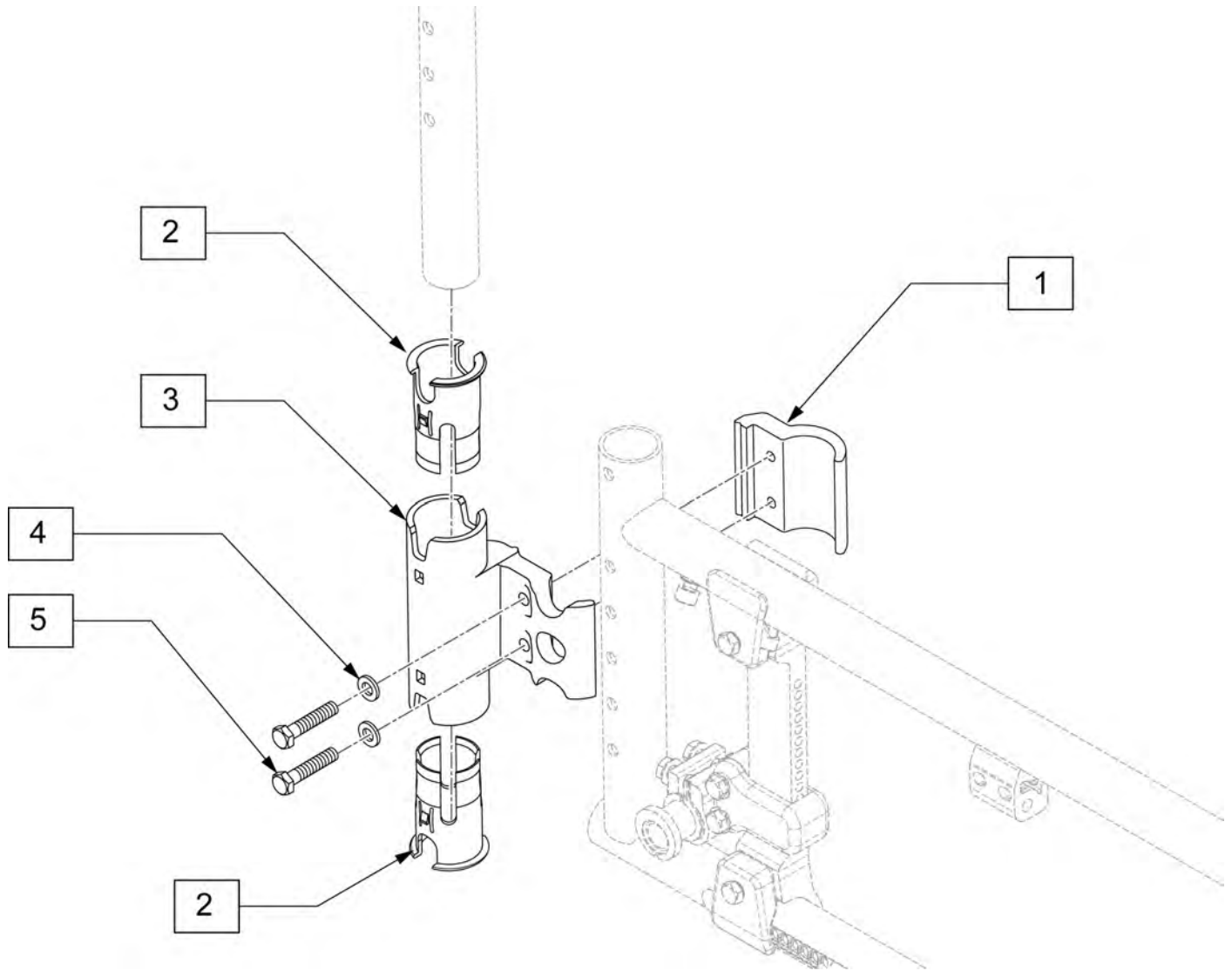


| | |
|---|-------|
| | STD |
| B | 9.75" |

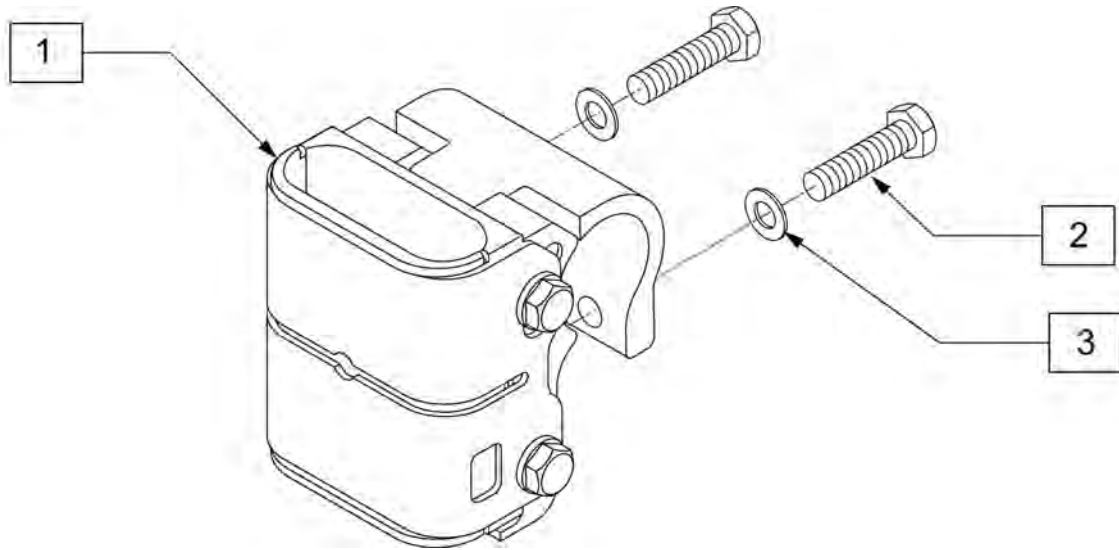
| Pos. | Item Number | Description | Remarks |
|---------------|-------------|-------------------------------|--------------|
| 1A | 561024 | ARMREST PAD 10" DESK | CLASSIC DESK |
| 1B | 561031 | ARMREST PAD 14" FULL | CLASSIC FULL |
| 2 | 107024 | 10-32 X 1 1/2 BH C/S BLK | |
| 3,4 | 109405 | SPHA ARMREST ASSM RIGHT | RIGHT |
| 3,4 | 109400 | SPHA ARMREST ASSM LEFT | LEFT |
| 4 | 116313 | SPHA ARM PAD MOUNT | |
| 5A | 521812 | HT ADJ PD TUBE 10IN DESK POWE | |
| 5B | 521813 | HT ADJ PD TUBE 14IN FULL POWE | |
| 6 | 560735 | 7/8" ROUND TUBE PLUG | |
| 7 | 226031 | 10-32 x 1 1/4 SOC C/S BLK | FULL |
| 1A,2,4,5A,6 | 115221 | SPHA UPPER CLASSIC DESK PAD | Classic-Desk |
| 1B,2,4,5B,6,7 | 115222 | SPHA UPPER CLASSIC FULL PAD | Classic-Full |
| 1A-5A,6 | 117834 | SPHA FLP BCK LITE ARM DESK R | RIGHT |
| 1A-5A,6 | 117835 | SPHA FLP BCK LITE ARM DESK L | LEFT |
| 1B-5B,6,7 | 117836 | SPHA FLP BCK LITE ARM FULL R | RIGHT |
| 1B-5B,6,7 | 117837 | SPHA FLP BCK LITE ARM FULL L | LEFT |



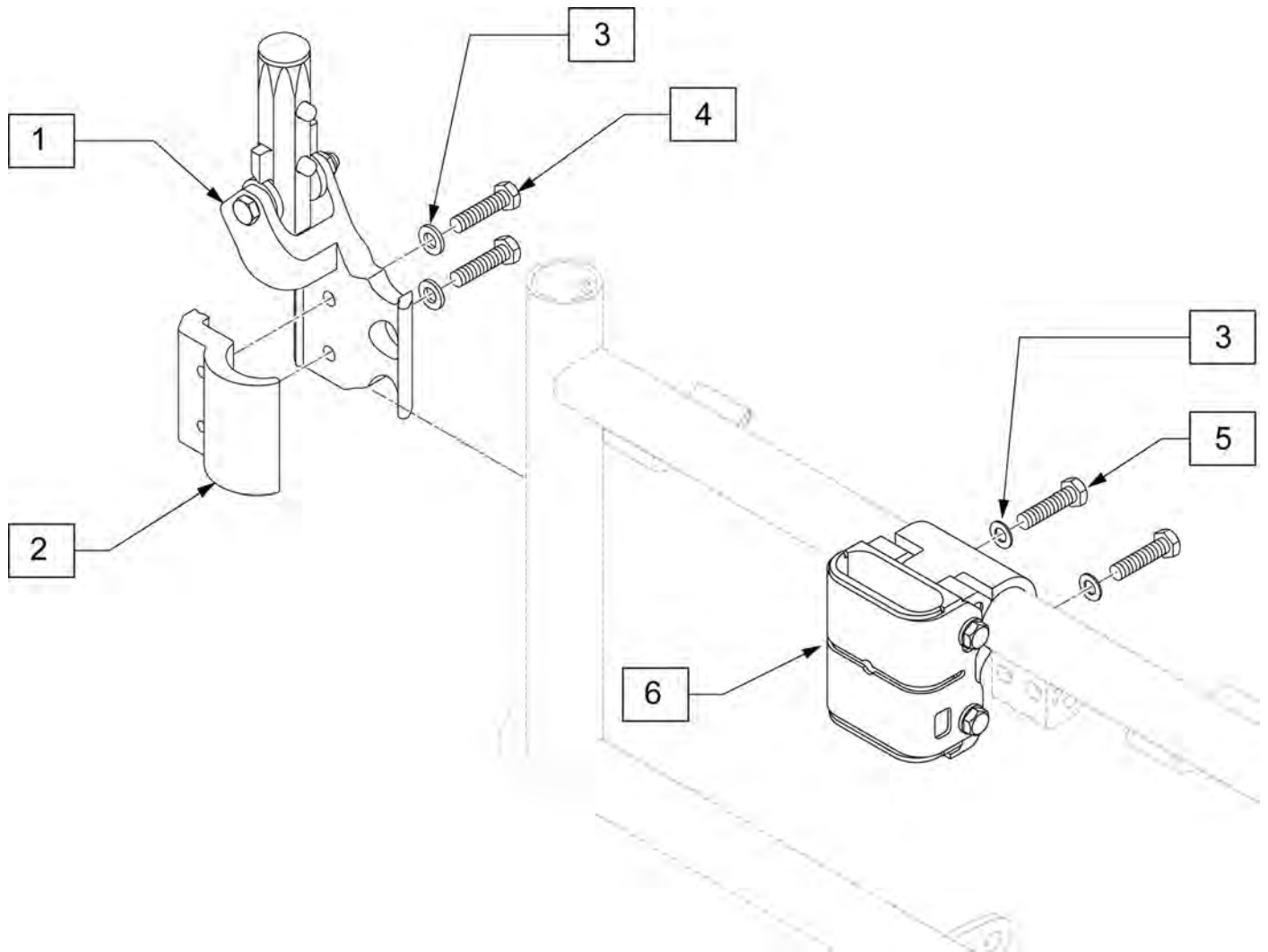
| Pos. | Item Number | Description | Remarks |
|----------|-------------|-------------------------------|---------|
| 1A | 561024 | ARMREST PAD 10" DESK | |
| 1B | 561031 | ARMREST PAD 14" FULL | |
| 2 | 107023 | BHCS 10-32 X 1-3/8 ROHS | |
| 7 | 118182 | BHCS 10-32 X 7/8 ROHS | |
| 1A-3 | 119558 | UPPER DP DESK L | Left |
| 1A-3 | 119559 | UPPER DP DESK R | Right |
| 1B-3,5-7 | 119560 | UPPER DP FULL L | Left |
| 1B-3,5-7 | 119561 | UPPER DP FULL R | Right |
| 1A-4,6 | 119490 | DUAL POST ARM TRANSFER DESK L | Left |
| 1A-4,6 | 119491 | DUAL POST ARM TRANSFER DESK R | Right |
| 1B-7 | 119492 | DUAL POST ARM TRANSFER FULL L | Left |
| 1B-7 | 119493 | DUAL POST ARM TRANSFER FULL R | Right |



| Pos. | Item Number | Description |
|------|-------------|------------------------------|
| 2,3 | 118583 | PADDED S/A CLMP ASSY |
| 4 | 106944 | WASHER FLAT THIN AN 1/4 ROHS |
| 5 | 118194 | HHCS M6X1X25 PL |
| 1-5 | 120738 | REAR REC ASSM EA |

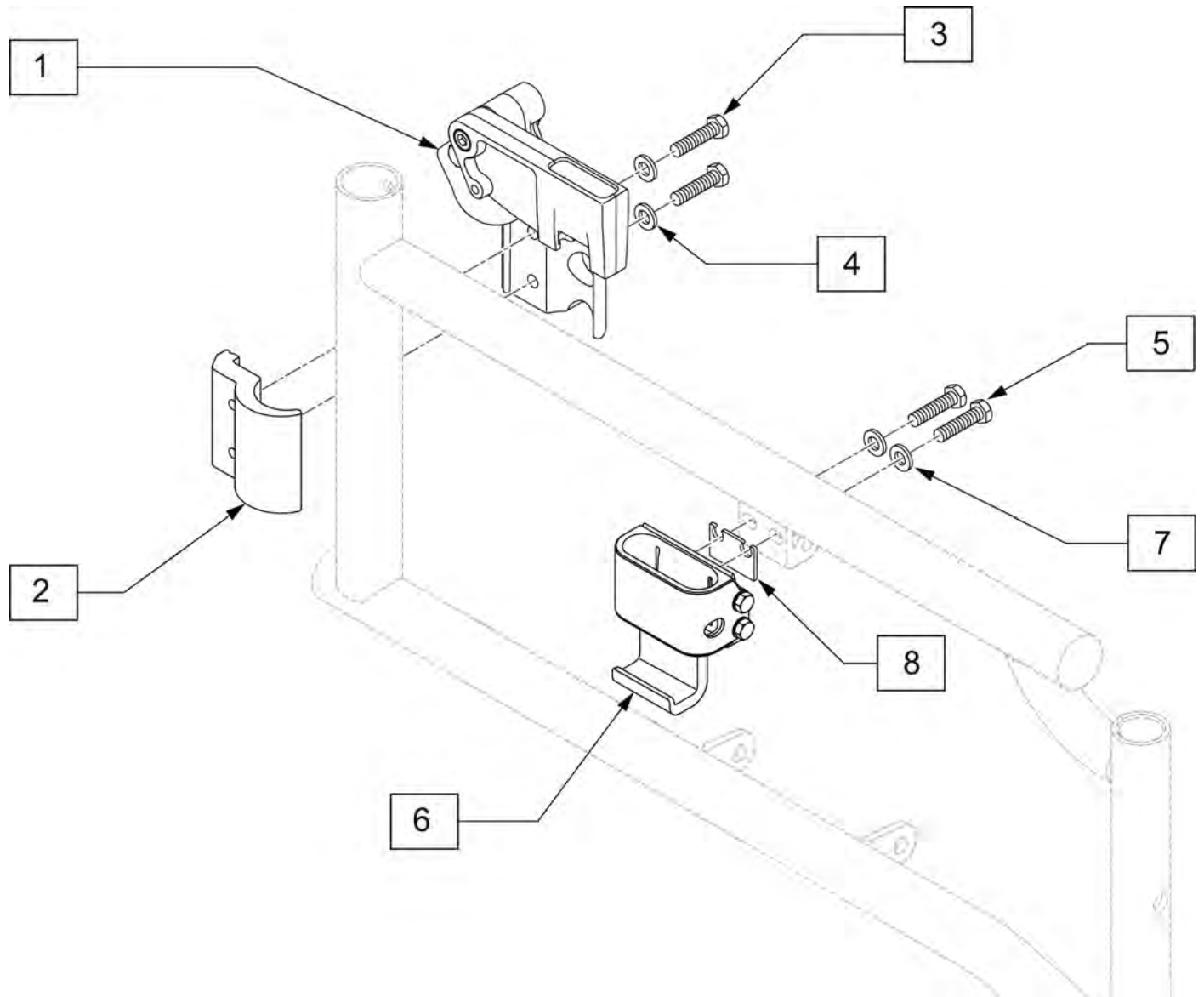


| Pos. | Item Number | Description |
|------|-------------|------------------------------|
| 2 | 118197 | HHCS M6X1X35 PART PL |
| 3 | 106944 | WASHER FLAT THIN AN 1/4 ROHS |
| 1-3 | 120739 | SPHA REC ASSM W/ HDWR |



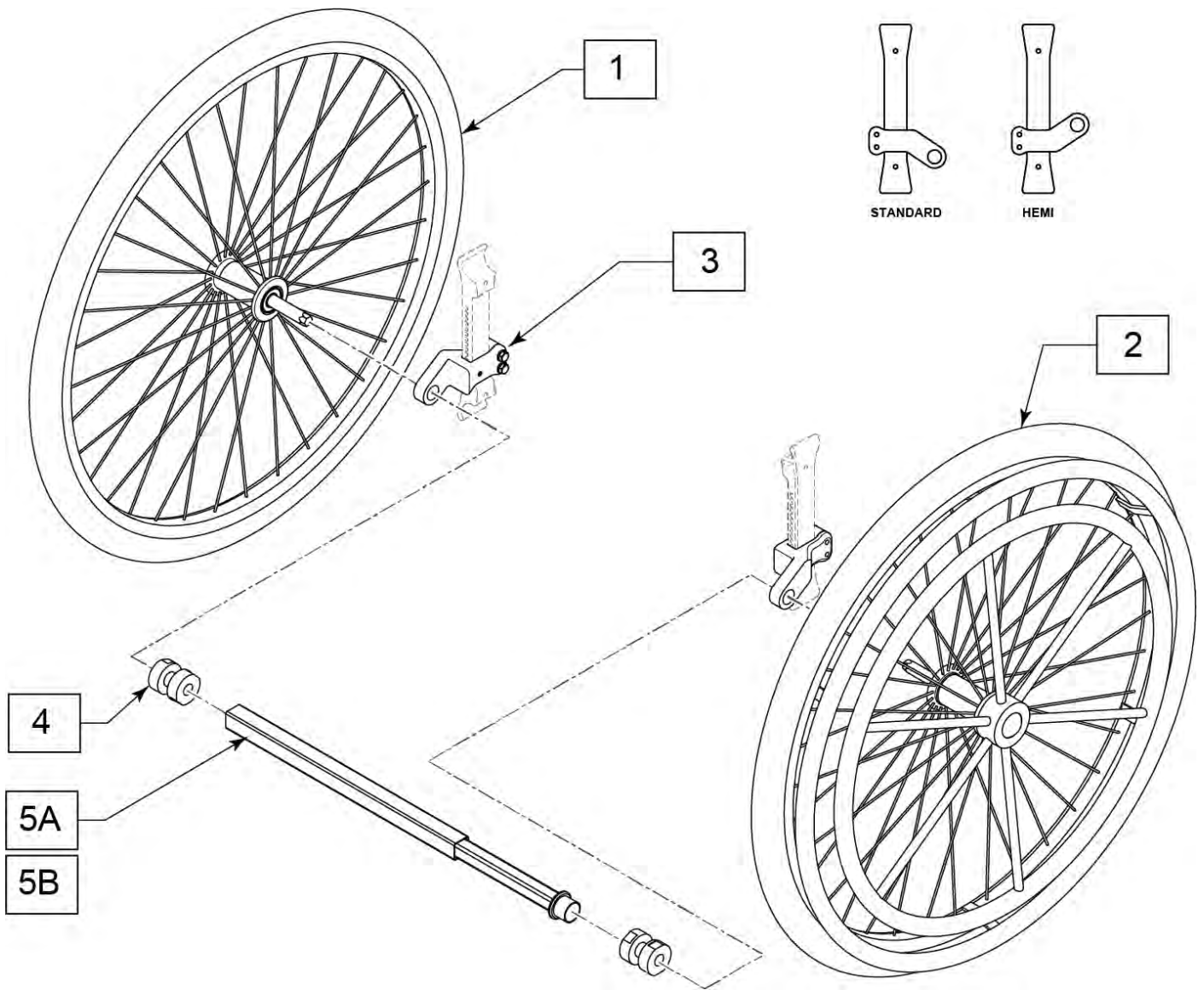
| Pos. | Item Number | Description | Remarks |
|-------|-------------|------------------------------|---------|
| 1 | 118642 | FLIP BACK REC CLAMP ASSY RH | Right |
| 1 | 118768 | FLIP BACK REC CLAMP ASSY LH | Left |
| 2 | 118578 | PADDED S/A CLAMP | |
| 3 | 106944 | WASHER FLAT THIN AN 1/4 ROHS | |
| 4 | 118194 | HHCS M6 x 1 x 25 PL | |
| 5 | 118197 | HHCS M6X1X35 PART PL | |
| 6 | 119281 | SPHA FB RECEIVER ASSY | |
| 1-4 | 120740 | FLIP BCK REAR REC ASSM R | Right |
| 1-4 | 120741 | FLIP BCK REAR REC ASSM L | Left |
| 3,5,6 | 120742 | FLIP BCK FRNT REC ASSM | |

Note: Used with Dual Post Armrest (Transfer).



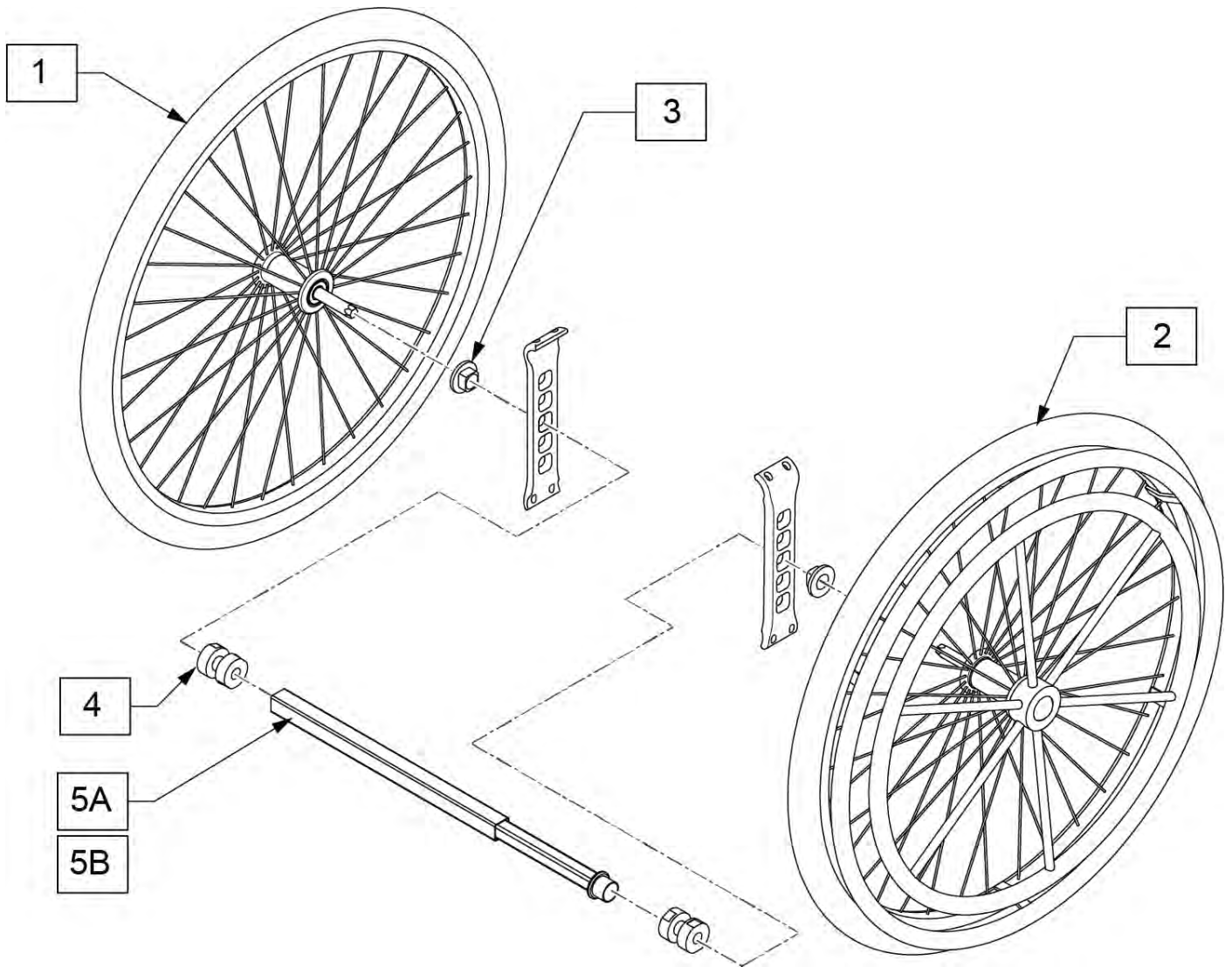
| Pos. | Item Number | Description | Remarks |
|------|-------------|------------------------------|---------|
| 2 | 118578 | PADDED S/A CLAMP | |
| 3 | 102268-001 | HHCS M6 X 1 X 25 | |
| 4 | 106944 | WASHER FLAT THIN AN 1/4 ROHS | |
| 5 | 103174 | SHCS M6 X 1 X 30 W/PL INORG | |
| 7 | 106943 | WASHER FLAT AN 1/4 ROHS | |
| 1-4 | 124087 | FLIP BCK REAR REC ASSM R | Right |
| 1-4 | 124088 | FLIP BCK REAR REC ASSM L | Left |
| 5-8 | 124089 | FLIP BCK FRNT REC ASSM R | Right |
| 5-8 | 124090 | FLIP BCK FRNT REC ASSM L | Left |

Note: the wheels are removable and each wheel includes an exclusive fixed axle that will click into position 4.

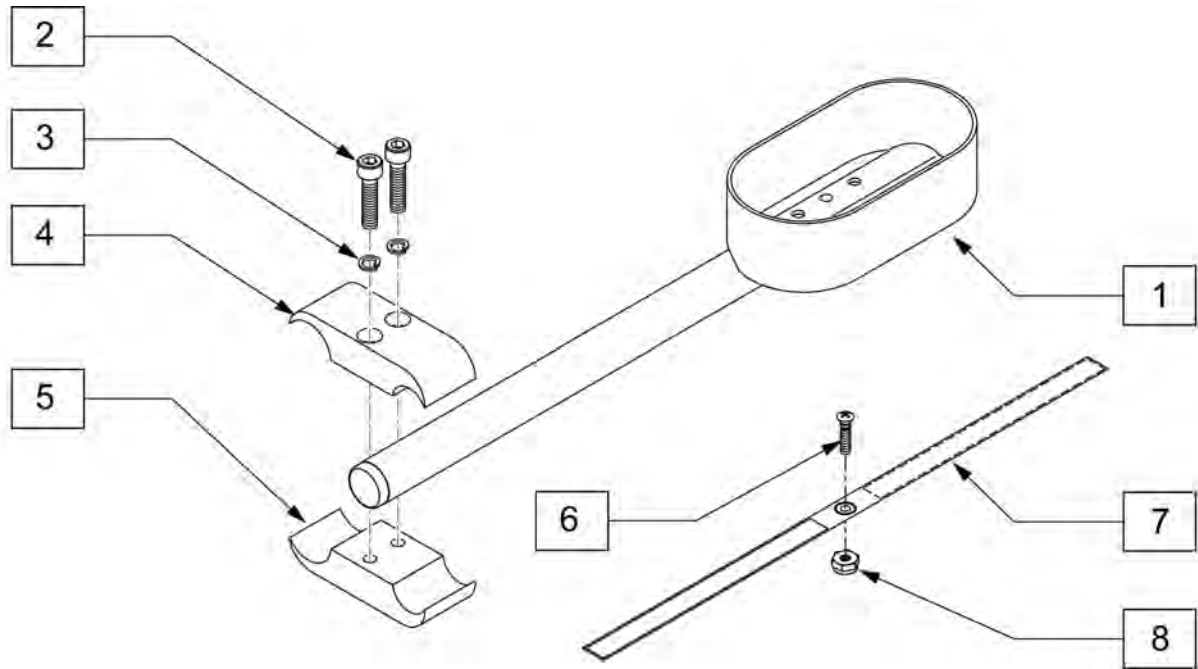


| Pos. | Item Number | Description | Remarks |
|--------|-------------|-------------------------------|-------------------------------------|
| 1 | 243763 | 1AD PASSIVE WHEEL ASSY | Handrim NOT included; includes Axle |
| 2 | 243762 | 1AD ACTIVE WHEEL ASSY | Handrim & Axle included |
| 3 | 161320 | 1AD AXLE CLAMP SLEEVE STD RH | Use for Std right, Hemi Left |
| 3 | 161321 | 1AD AXLE CLAMP SLEEVE STD LH | Use for Std Left, Hemi Right |
| 4 | 243782 | 1AD BEARING CLAMP | |
| 5A | 245215 | TELESCOPIC SHAFT 260-370MM | 14" & 15" wide chairs |
| 5B | 245216 | TELESCOPIC SHAFT 335-470MM | 16"-19" wide chairs |
| 1-4,5A | 161322 | 1 ARM DRIVE RETRO QXi 14-15 W | 14" & 15" wide chairs |
| 1-4,5B | 161323 | 1 ARM DRIVE RETRO QXi 16-17 W | 16"-19" wide chairs |

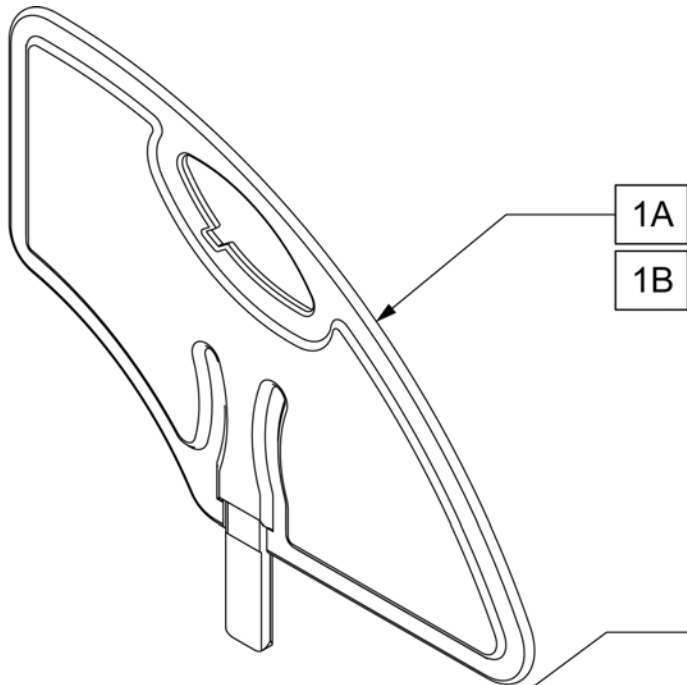
Note: the wheels are removable and each wheel includes an exclusive fixed axle that will click into position 4.



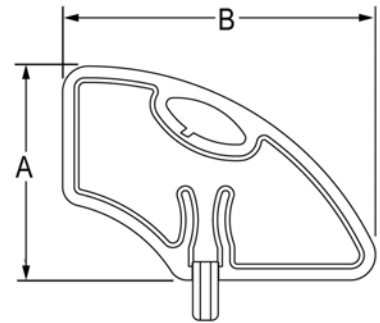
| Pos. | Item Number | Description | Remarks |
|--------|-------------|-----------------------------|-------------------------------------|
| 1 | 243763 | 1AD PASSIVE WHEEL ASSY | Handrim NOT included; includes Axle |
| 2 | 243762 | 1AD ACTIVE WHEEL ASSY | Handrim & Axle included |
| 3 | 241231 | FIXED AXLE PLATE SLEEVE 1AD | |
| 4 | 243782 | 1AD BEARING CLAMP | |
| 5A | 245215 | TELESCOPIC SHAFT 260-370MM | 14-15" wide |
| 5B | 245216 | TELESCOPIC SHAFT 335-470MM | 16-19" wide |
| 1-4,5A | 161325 | 1AD ASSEMBLY FXD 14-15 WIDE | 14-15" wide |
| 1-4,5B | 161326 | 1AD ASSEMBLY FXD 16-17 WIDE | 16-19" wide |



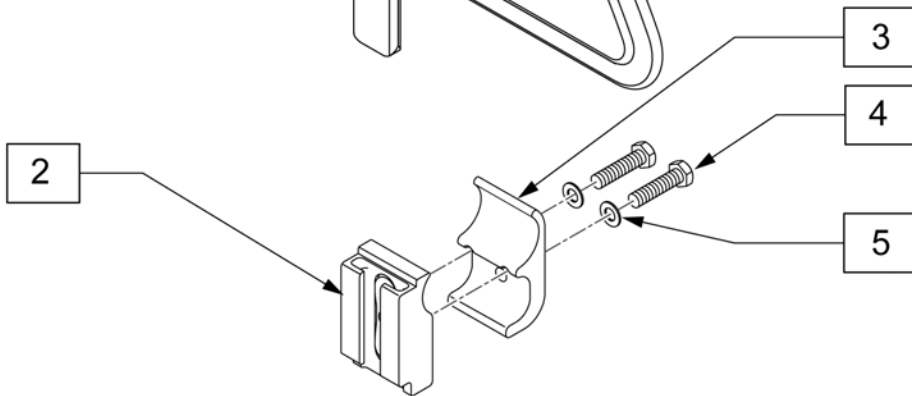
| Pos. | Item Number | Description |
|------|-------------|---------------------------|
| 1 | 119353 | 12" CRUTCH HOLDER ASSY RH |
| 1 | 119354 | 12" CRUTCH HOLDER ASSY LH |
| 2 | 107032 | SHCS 1/4-28 X 1 |
| 3 | 455037-QU | 1/4 X 1 FLAT WASHER |
| 2-5 | 884101 | VENT TRAY CLAMP ASSM S626 |
| 6 | 281110 | 10-32 x 1/2 PAN PHIL |
| 7 | 750495 | CRUTCH HOLDER STRAP F |
| 8 | 200100-QU | 10-32 NYLOCK NUT |
| 1-8 | 120747 | CRUTCH HOLDER ASSM R |
| 1-8 | 120748 | CRUTCH HOLDER ASSM L |



MEASURING GUIDE

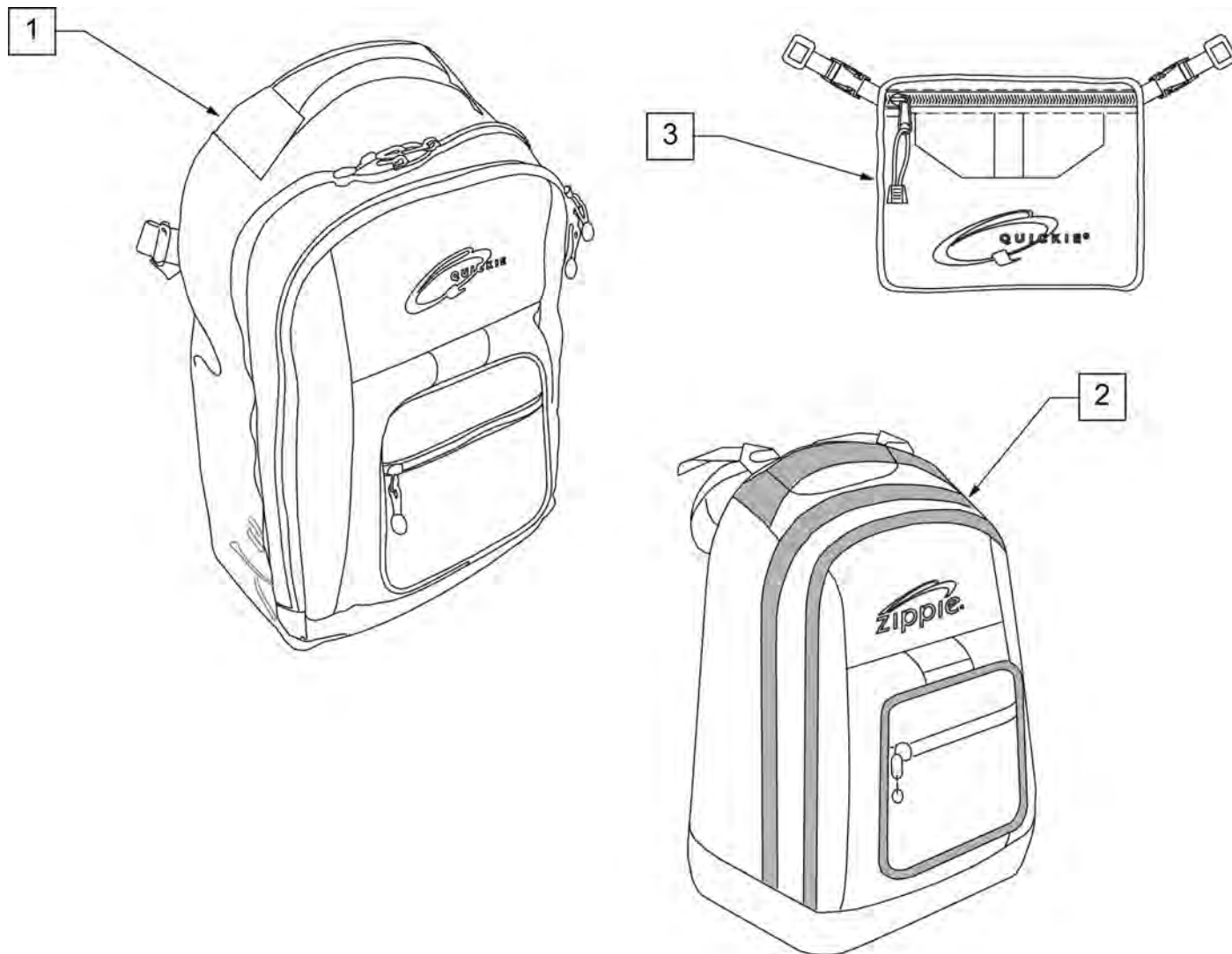


| | LOW | STD |
|-----|-------|-------|
| "A" | 6.4" | 8.4" |
| "B" | 11.0" | 12.3" |



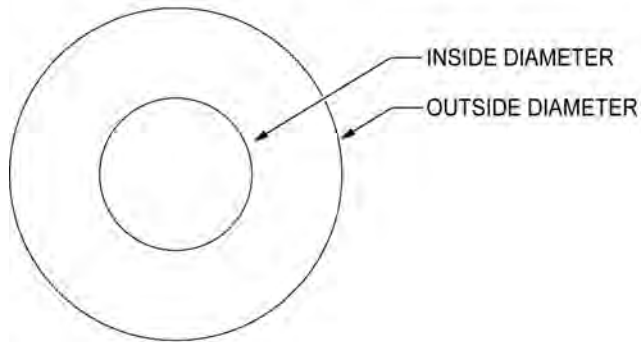
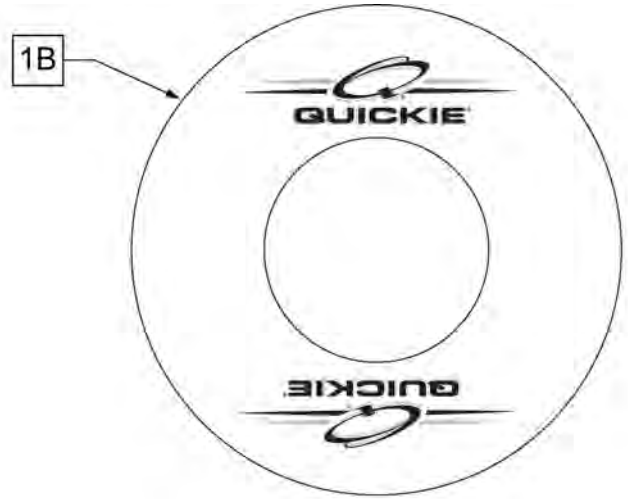
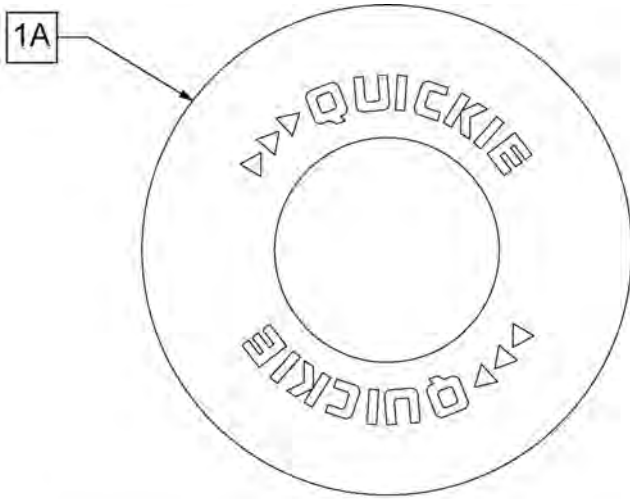
| Pos. | Item Number | Description | Remarks |
|------|-------------|-------------------------|----------|
| 1A | 104164-001 | SIDE GUARD ASSY STD | Standard |
| 1B | 104164-002 | SIDE GUARD ASSY SMALL | Low |
| 4 | 118197 | HHCS M6X1X35 PART PL | |
| 5 | 106943 | WASHER FLAT AN 1/4 ROHS | |
| 2-5 | 120749 | SIDE GUARD REC ASSM | |

NOTE: KIDS BACKPACKS DO NOT HAVE ADJUSTABLE STRAPS W/ BUCKLES.



| Pos. | Item Number | Description |
|------|-------------|--------------------|
| 1 | 750115 | BACK PACK QUICKIE |
| 2 | 104572 | BACKPACK ZIPPIE |
| 3 | 750307 | SEAT POUCH QUICKIE |

Note: some wheel sizes listed may not be available on all chairs.



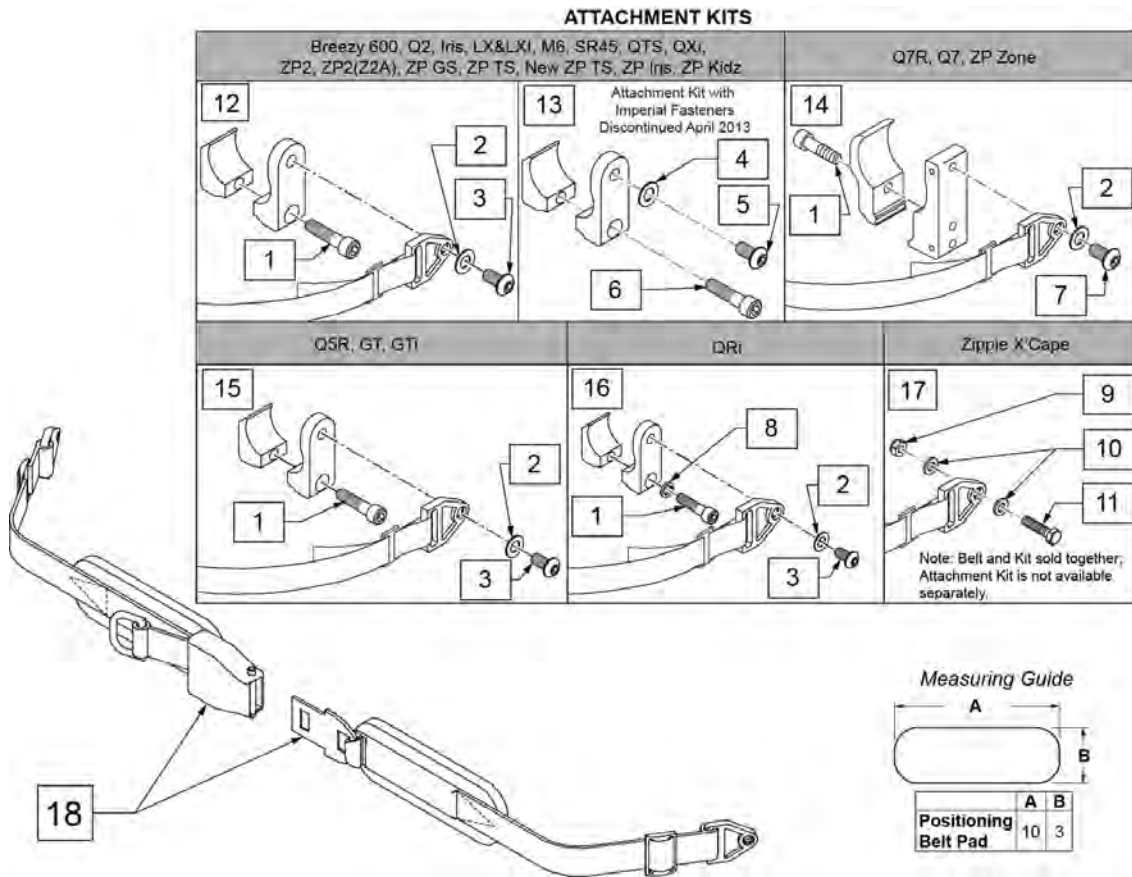
SPOKE GUARD MEASURING GUIDE

| PART NUMBER | INSIDE DIAMETER | OUTSIDE DIAMETER |
|-------------|-----------------|------------------|
| 902001 | 8 1/4 | 15 7/8 |
| 902011 | 8 1/4 | 18 1/8 |
| 902021 | 10 1/4 | 19 5/8 |
| 902025 | 10 1/4 | 20 3/8 |
| 902037 | 10 1/4 | 21 7/8 |
| 902038 | 10 1/4 | 23 3/8 |
| 103660-001 | 8 1/4 | 16 |
| 103660-002 | 8 1/4 | 18 |
| 103663-001 | 10 1/4 | 20 1/2 |
| 103663-002 | 10 1/4 | 23 1/2 |
| 103734-001 | 10 1/4 | 19 1/4 |
| 103734-002 | 10 1/4 | 22 |
| 119336 | 10 1/4 | 19 1/4 |

| Pos. | Item Number | Description | Remarks |
|------|-------------|--------------------------------|-----------------------------------------------------------------------------------------------------|
| >>>> | | BLACK SPOKE GUARDS | |
| 1A | 902001 | SPK GRDS 20" QUICKIE BLK | PR-Black-fits 20" Whls |
| 1A | 902011 | SPK GRDS 22" QUICKIE BLK | PR-Black-fits 22" Whls, 24" (540) Whls w/ Proj HR, 24" Mountain Spoke Whls, M6 24" (540) Spoke Whls |
| 1A | 902021 | SPK GRD 24" QUICKIE SCR MT BLK | PR-Black-fits 24" (540) Mag & Spoke Whls |
| 1A | 902025 | SPK GRD 24" QUICKIE TAB MT BLK | PR-Black-fits 25" (559) Spk Whls & 26" Mountain Spoke Whls |
| 1A | 902037 | SPK GRD 26" QUICKIE TAB MT BLK | PR-Black-fits 26" (590) Whls |
| 1A | 902038 | SPK GRD 26" QUICKIE HT BLK | PR-Black-fits 27" (700) Whls |
| >>>> | | CLEAR SPOKE GUARDS | |
| 1B | 103660-001 | CLEAR SPOKE GUARD 20" | PR-Clear-fits 20" Whls |
| 1B | 103660-002 | CLEAR SPOKE GUARD 22" | PR-Clear-fits 22" Whls, 24" (540) Whls w/ Proj HR, 24" Mountain Spoke Whls, M6 24" (540) Spoke Whls |

Note: some items listed may not be available with every chair model or in conjunction with another chair feature.

NOTE: when mounting Positioning Belts to the 5R, GT or GTI, it is recommended to attach the belt by using the Backrest Support Bracket Hardware.

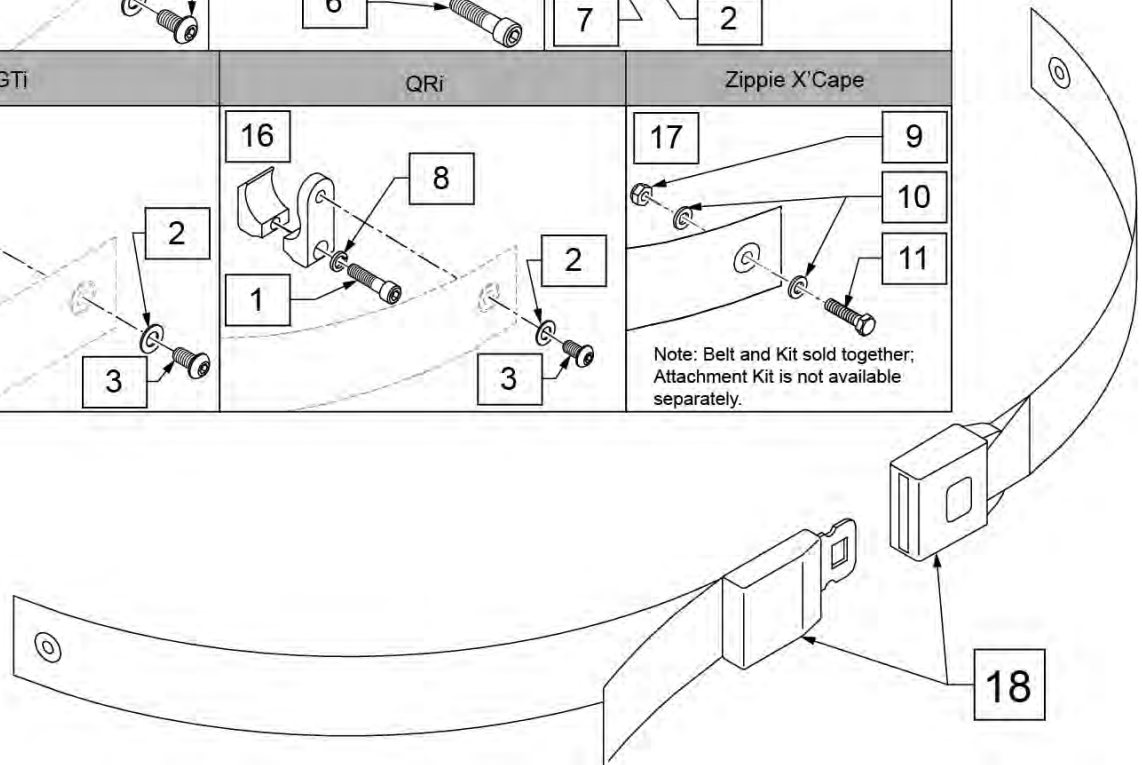
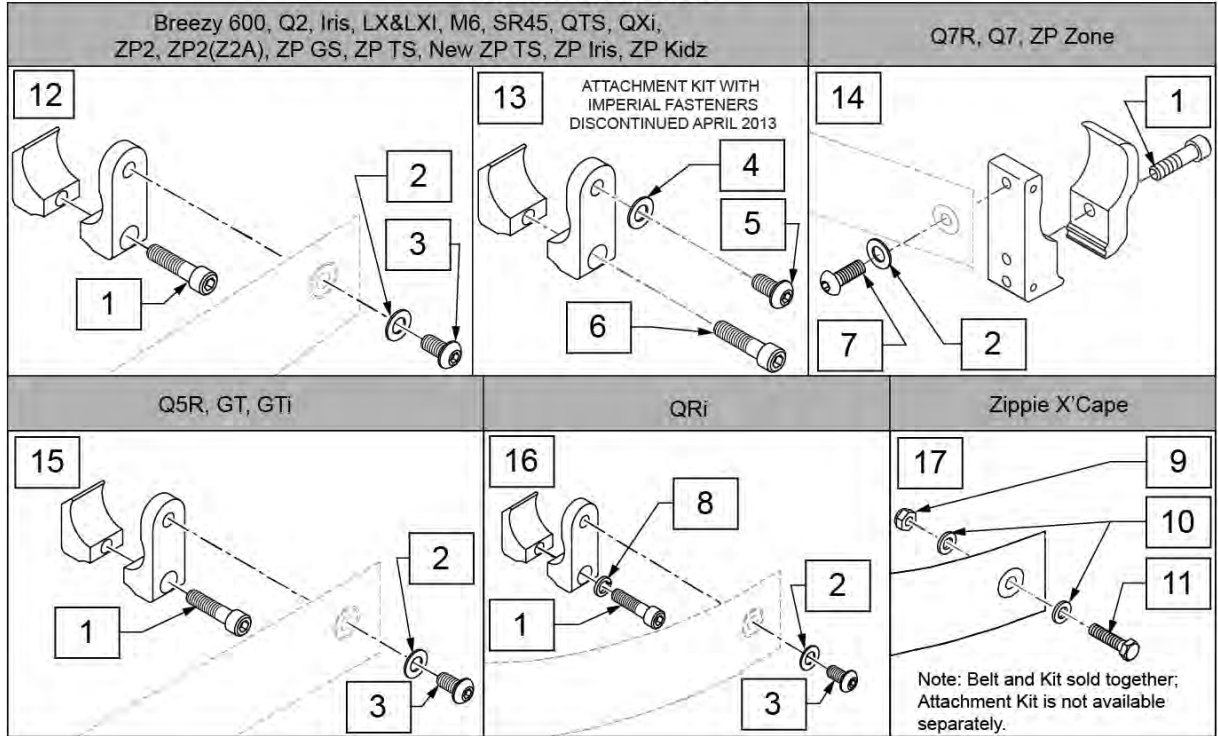


| Pos. | Item Number | Description | Remarks |
|------|-------------|------------------------------|-------------------------------|
| 1 | 102263-003 | SHCS M6 X 1 X 25 W/PL INORG | Metric |
| 2 | 250104 | WASHER FLAT M6 | Metric |
| 3 | 103185-005 | BHCS M6 X 1 X 12 FULL PL | Metric |
| 4 | 106943 | WASHER FLAT AN 1/4 ROHS | Imperial (standard) |
| 5 | 226154 | 1/4-20 X 1/2 BH C/S W/PATCH | Imperial (standard) |
| 6 | 221116 | 1/4-20 X 1 SOC HD BLK | Imperial (standard) |
| 7 | 230113 | BHCS M6 X 1 X 12 | |
| 8 | 050129-001 | LOCKWASHER HIGH COLLAR M6 | |
| 9 | 104381 | NUT HEX NYLOCK M6 X 1.0 | |
| 10 | 107383 | WASHER FLAT M6 | |
| 11 | 102268-002 | HHCS M6 X 1 X 35 BLK | |
| 12 | 120750 | PSTN BELT CLAMP ASSM PR | Metric; Pair |
| 13 | 900116 | POSITION BELT ATTACHMENT KIT | Set of 2; Imperial (standard) |
| 14 | 116268 | OVAL CLAMP ASSM KIT | Kit contains 1 Clamp |
| 15 | 159122 | POSITIONING BELT CLAMPS PR | Pair |
| 16 | 123534 | POS BELT CLAMP KIT RPO | Set of 2 |

| Pos. | Item Number | Description | Remarks |
|-------------|--------------------|---------------------------------|------------------------------------------|
| 18 | 450418-QU | BELT 2" AIRCRAFT BUCKLE | Max length of belt 64" |
| 18 | 450423-QU | BELT 2" AIRCRAFT BUCKLE W/PAD | Max length of belt 64" |
| 18 | 450424 | BELT 2" AIRCRAFT BKL LONG W/PAD | Max length of belt 72" |
| 18 | 450425 | BELT 2" AIRCRAFT BKL LONG | Max length of belt 72" |
| 18 | 450419-QU | BELT 2" AIRCRAFT BKL W/QUAD LP | Max length of belt 64" |
| 18 | 468419 | BELT 2" AIRCRAFT BKL W/QD LPCZ | Max length of belt 64" |
| 17,18 | 136464 | AIRCRAFT HIP BELT 2" KIT | ZP Xcape: includes Belt & Attachment Kit |
| 17,18 | 136465 | AIRCRAFT HIP BELT 2" PAD KIT | ZP Xcape: includes Belt & Attachment Kit |

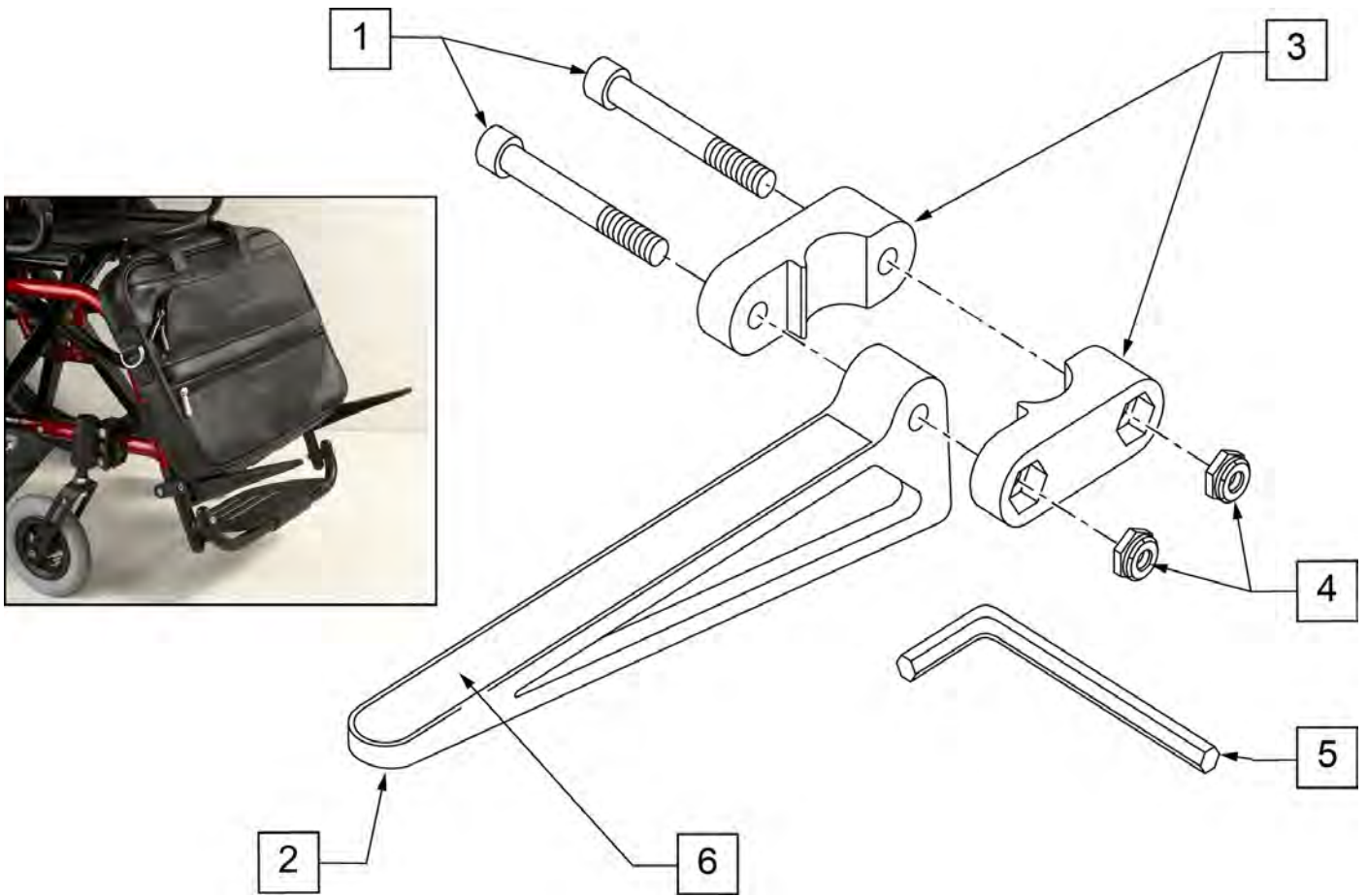
NOTE: when mounting Positioning Belts to the 5R, GT or GTI, it is recommended to attach the belt by using the Backrest Support Bracket Hardware.

ATTACHMENT KITS

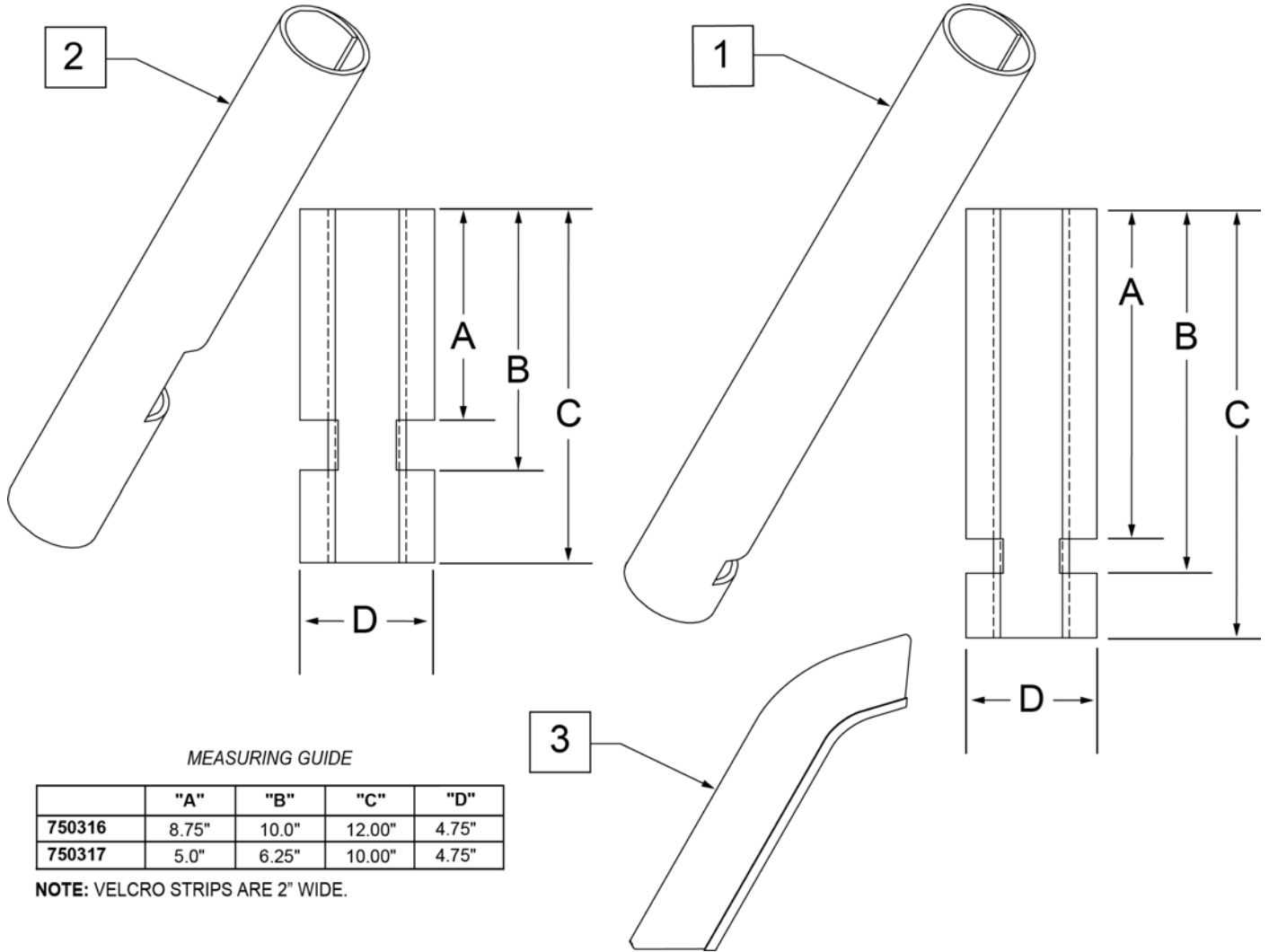


| Pos. | Item Number | Description | Remarks |
|------|-------------|-----------------------------|---------------------|
| 1 | 102263-003 | SHCS M6 X 1 X 25 W/PL INORG | Metric |
| 2 | 250104 | WASHER FLAT M6 | Metric |
| 3 | 103185-005 | BHCS M6 X 1 X 12 FULL PL | Metric |
| 4 | 106943 | WASHER FLAT AN 1/4 ROHS | Imperial (standard) |
| 5 | 226154 | 1/4-20 X 1/2 BH C/S W/PATCH | Imperial (standard) |
| 6 | 221116 | 1/4-20 X 1 SOC HD BLK | Imperial (standard) |
| 7 | 230113 | BHCS M6 X 1 X 12 | |
| 8 | 050129-001 | LOCKWASHER HIGH COLLAR M6 | |
| 9 | 104381 | NUT HEX NYLOCK M6 X 1.0 | |
| 10 | 107383 | WASHER FLAT M6 | |
| 11 | 102268-002 | HHCS M6 X 1 X 35 BLK | |
| 12 | 120750 | PSTN BELT CLAMP ASSM PR | Metric; Pair |

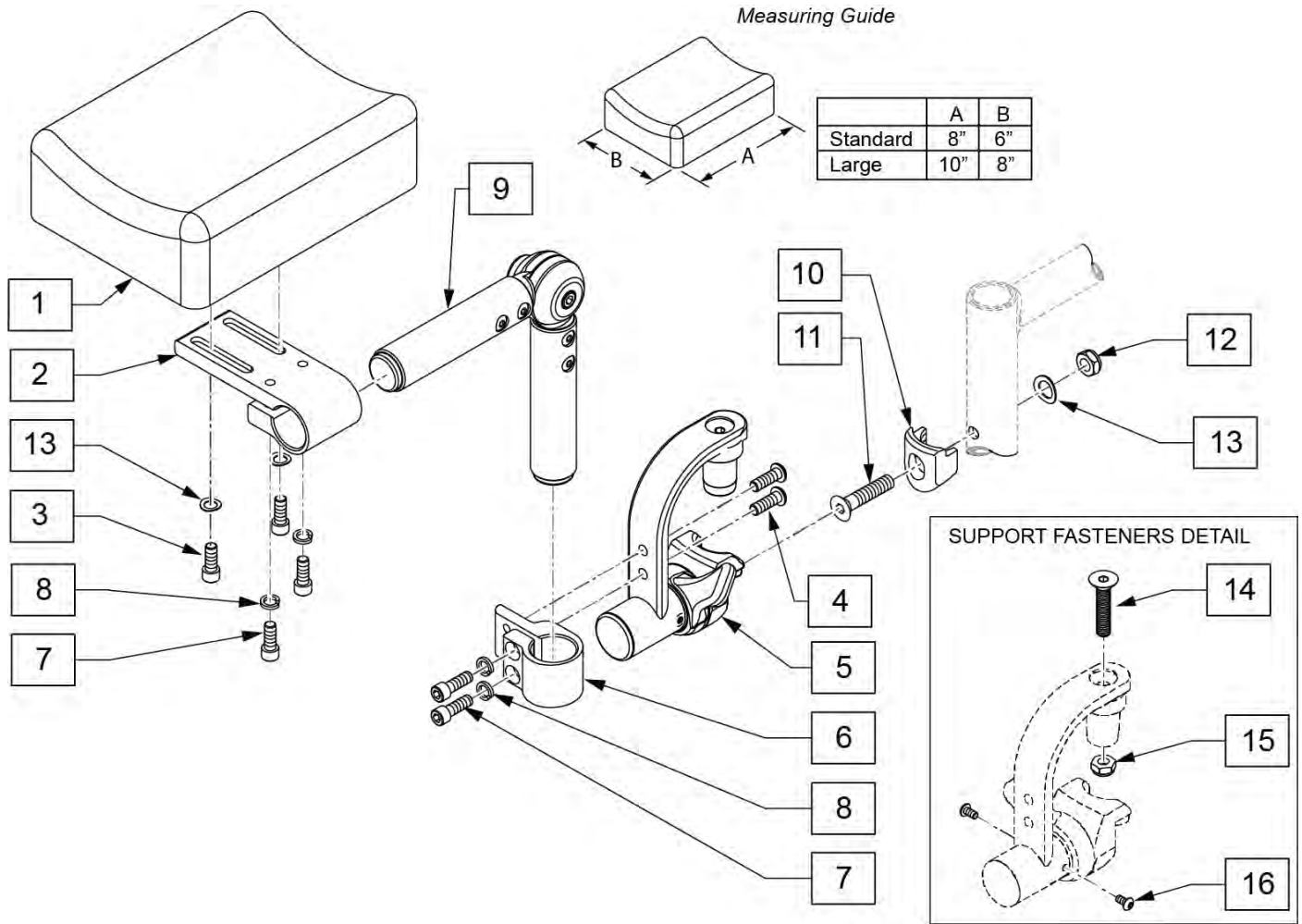
| Pos. | Item Number | Description | Remarks |
|-------------|--------------------|------------------------------|------------------------------------------|
| 13 | 900116 | POSITION BELT ATTACHMENT KIT | Set of 2; Imperial (standard) |
| 14 | 116268 | OVAL CLAMP ASSM KIT | Kit contains 1 Clamp |
| 15 | 159122 | POSITIONING BELT CLAMPS PR | |
| 16 | 123534 | POS BELT CLAMP KIT RPO | Set of 2 |
| 18 | 750276 | 1 1/2" POSITION BELT | AUTOSTYLE-64" Max length of belt. |
| 16,18 | 124269 | AUTO POS BELT W/CLAMPS RPO | QRI: includes Belt & Attachment Kit |
| 17,18 | 136463 | AUTO HIP BELT 1.5" KIT | ZP Xcape: includes Belt & Attachment Kit |



| Pos. | Item Number | Description | Remarks |
|------|-------------|------------------------|-----------------------------------------------------------------------------|
| 1 | 106975 | 1/4-28 x 1 1/4 SOC C/S | |
| 2 | 561105 | CADDY ARM | Clamps on to Extension Tube (3/4" round and D2); Caddy Arm length is 7 1/2" |
| 3 | 561104 | CADDY CLAMP | Clamps on to Extension Tube (3/4" round and D2) |
| 4 | 106935 | 1/4-28 NYLOCK NUT THIN | |
| 5 | 349998 | 3/16" ALLEN WRENCH | |
| 6 | 580050 | CADDY TAPE | |
| 1-6 | 902350 | QUICKIE CADDY (PR) | |



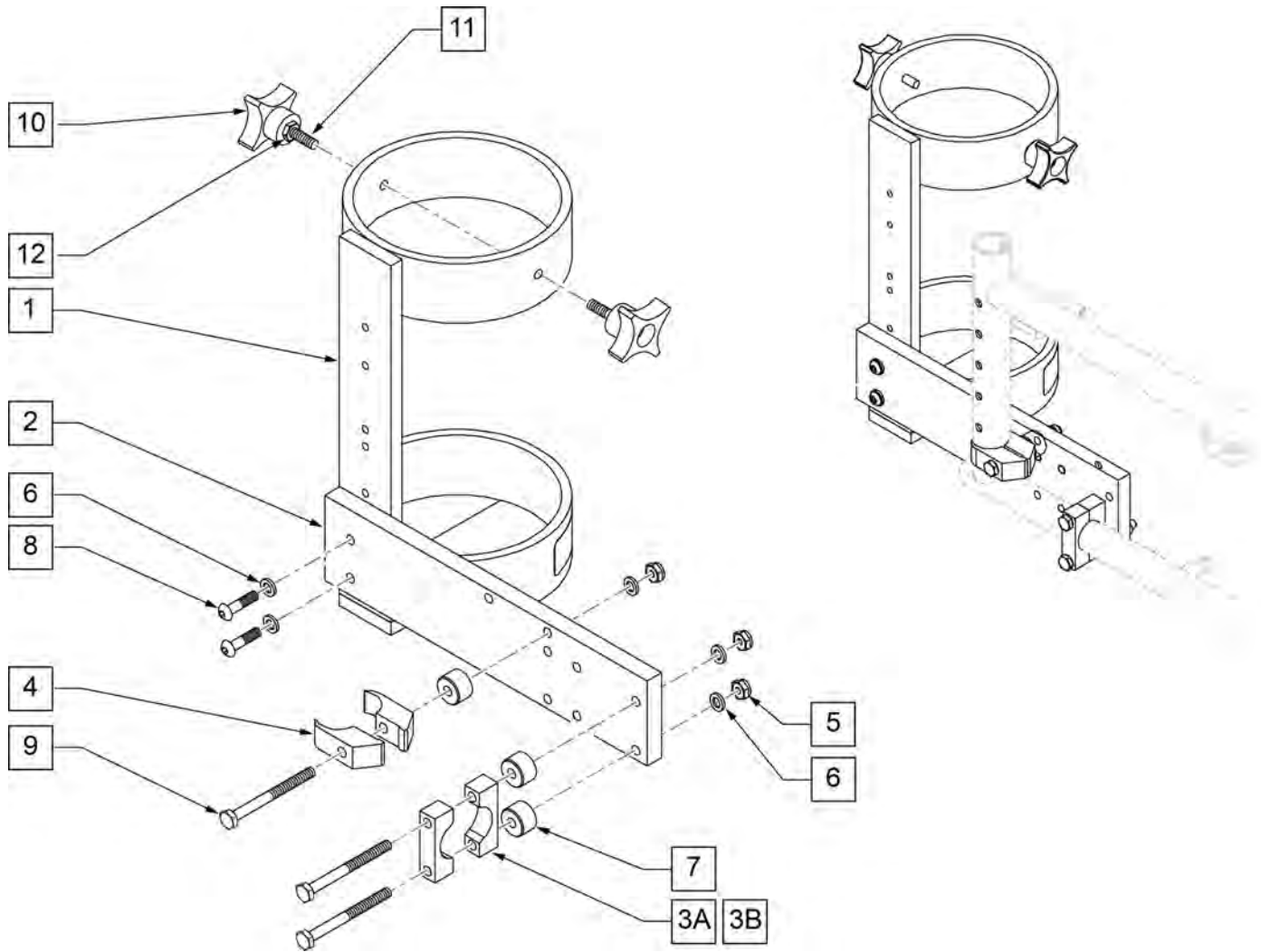
| Pos. | Item Number | Description | Remarks |
|------|-------------|-----------------------------------|------------------------------------|
| 1 | 750316 | IMPACT GUARDS NEOPRENE FIXED (PR) | PAIR-Fixed Front Frame |
| 2 | 750317 | IMPACT GUARDS NEOPRENE S/A | PAIR-S/A Footrest & Q7 |
| 3 | 109231 | GEL VELCRO PAD HANGER/FRAME | PAIR- fits S/A & Fixed Front Frame |
| 4 | 108315 | GEL PAD SA ARM | Single, fits Padded SA Armrest |



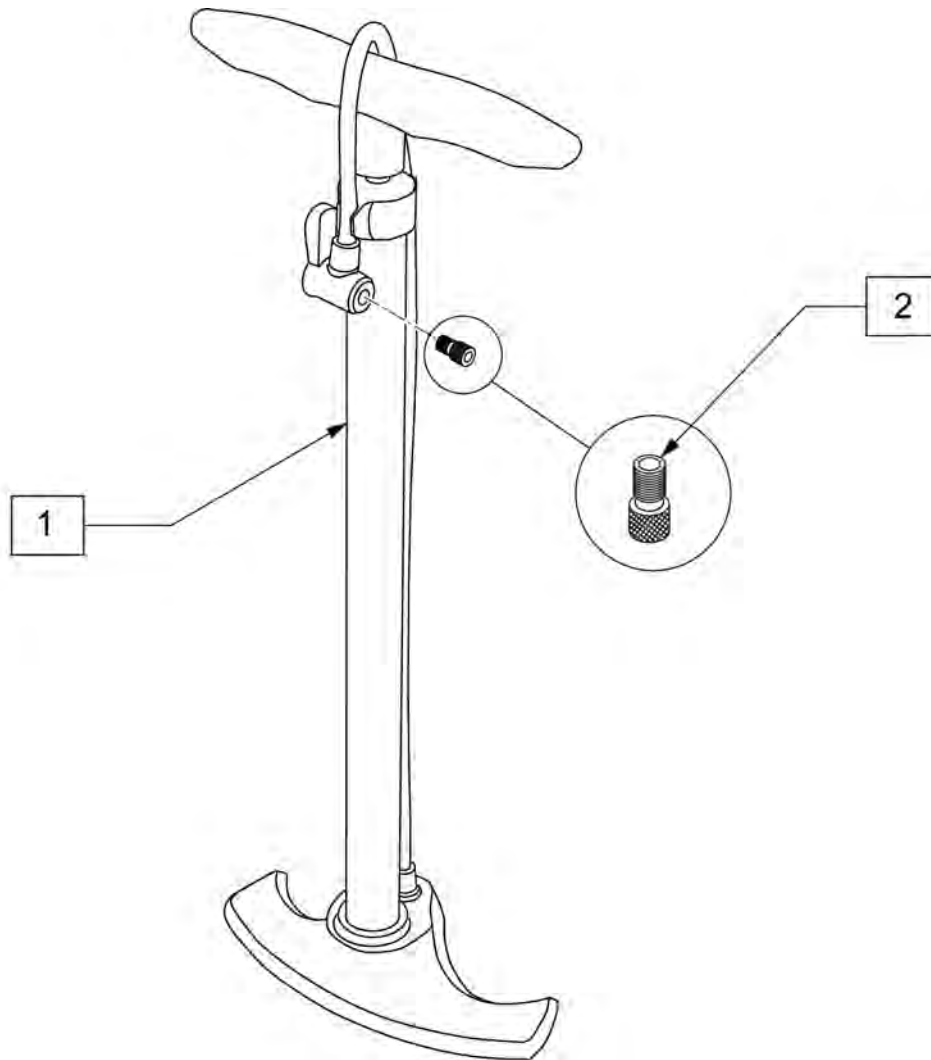
| Pos. | Item Number | Description | Remarks |
|---------------|-------------|-----------------------------|------------------|
| 1,3,13 | 161563 | PAD W/FASTENERS STD | Single Pad, 6X8 |
| 1,3,13 | 161564 | PAD W/FASTENERS LRG | Single Pad, 8X10 |
| 1-9,13 | 161565 | STUMP SUPP RETRO LRG PAD RH | Single Pad, 8X10 |
| 1-9,13 | 161566 | STUMP SUPP RETRO LRG PAD LH | Single Pad, 8X10 |
| 1-9,13 | 161567 | STUMP SUPP RETRO STD PAD RH | 6X8 |
| 1-9,13 | 161568 | STUMP SUPP RETRO STD PAD LH | 6X8 |
| 3,4,7,8,13-16 | 161569 | STUMP SUPP FASTENER KIT | for 1 side |
| 2-9,13 | 162051 | STUMP SUPPORT W/O PAD RH | No Pad |
| 2-9,13 | 162052 | STUMP SUPPORT W/O PAD LH | No Pad |
| 10-13 | 119514 | LATCH RECEIVER KIT | for 1 side |

NOTE: THE Q2 HOLDER WILL INHIBIT THE USE OF THE LOWER TWO MOUNTING HOLES FOR THE AXLE PLATE.

NOTE: ACCOMMODATES SIZE D & E OXYGEN TANKS.



| Pos. | Item Number | Description | Remarks |
|------|-------------|-------------------------------|----------------|
| 3 | 550210 | A1 LOW LOCK CLAMP BLK AN | |
| 4 | 550063 | A1 PLST SIDE GURD CLAMP | |
| 5 | 106934 | A1 1/4-28 NYLOCK NUT | |
| 6 | 106943 | A1 1/4 AN WASHER FLAT | |
| 7 | 330031 | A1 SUSPENSION SPACER 1/2 | |
| 8 | 226110 | A1 1/4-28 X 1 BH C/S | |
| 9 | 221193 | A1 1/4-28 X 2 3/4 G8 HEX | |
| 10 | 349018 | A1 KNOB S/A ADJ STROLLER | |
| 11 | 226136 | A1 1/4-20 X 1 1/2 BH C/S | |
| 12 | 201121 | A1 1/4-20 NUT THIN | |
| 1-12 | 112264 | O2 HLDER ASSM Q2 STRGHT RR SF | Fits Qxi Frame |



| Pos. | Item Number | Description |
|------|-------------|----------------------|
| 1 | 389050 | TIRE PUMP |
| 2 | 381230 | VALVE ADAPTER PRESTA |