

ROGUE 2

USER INSTRUCTION MANUAL & WARRANTY
MANUAL DE INSTRUCCIONES Y GARANTÍA



2023-08-21

I. INTRODUCTION

Thank you for purchasing a Ki Mobility wheelchair!

WARNING

WARNING: Do not use this without first reading this entire manual. Use without first reading this entire manual could result in serious injury to the user and/or attendant.

Ki Mobility recommends training by an Assistive Technology Professional (ATP) or other competent clinical or technical professional in the safe use of this chair prior to use.

If you have any questions or concerns about any aspect of this wheelchair, this manual or the service provided, do not hesitate to contact your authorized supplier, an authorized representative or Ki Mobility. Ki Mobility can be reached at:

(1)715-254-0991



Ki Mobility
5201 Woodward Drive
Stevens Point, WI 54481
U.S.A



www.kimobility.com (Includes Dealer locator and access to printed information)

Or via our Authorized EU Representative:



Etac Supply Center AB
Långgatan 12
33233 Anderstorp
Sweden

Or via our UK Responsible Person:



Etac Ltd
Unit 60, Hartlebury Trading
Estate, Hartlebury
Kidderminster, DY10 4JD

II. TABLE OF CONTENTS

I.	INTRODUCTION	
II.	TABLE OF CONTENTS	
III.	NOTICE - READ BEFORE USE	
	A. Intended Use	3
	B. Indications for Use	3
	C. Your Safety	3
	D. Signal Words	4
	E. Serial Number Identification.....	4
	F. Symbol Glossary	5
	G. General Warnings and Cautions	6
	H. Positioning Belts or Harnesses	9
	I. Riding Your Wheelchair	9
	J. Power Drives.....	11
	K. Your Wheelchair and the Environment.....	12
	L. Modifying your Wheelchair	12
	M. Wheelchair Stability	12
	N. Aftermarket Seating	13
IV.	WHEELCHAIR USE & CONFIGURATION	
	A. Curbs, Steps and Stairs	14
	B. Transfers.....	15
	C. Transit Use.....	15
	D. Cushion Use	20
	E. Transporting of Unoccupied Wheelchair	20
	F. Your Rogue 2 & Its Parts.....	21
	G. Height Adjustable T-Arm	22
	H. Swing Away Armrests	23
	I. Rear Wheels	24
	J. Adjusting the Footrest	25
	K. Angle Adjustable Footrest	25
	L. Hybrid Angle Adjustable Footrest	26
	M. Wheel Locks	27
	N. Anti-Tips	28
	O. Upholstery Fabric.....	32
	P. Seat Upholstery	32
	Q. Backrest	33
	R. Contact Surfaces.....	34
	S. Cane and Crutch Holder	35
V.	MAINTENANCE AND CARE	
	A. Maintenance Table.....	36
	B. Cleaning.....	37
	C. Storage.....	38
	D. Disposal.....	38
VI.	TROUBLESHOOTING	
	A. Symptoms and Solutions	39
VII.	WARRANTY.....	40
VIII.	SPECIFICATION SHEET - ROGUE 2.....	41

III. NOTICE - READ BEFORE USE

A. Intended Use

The Ki Mobility Rogue 2 manual wheelchair is intended to provide mobility to persons limited to a sitting position.

B. Indications for Use

The Ki Mobility Rogue 2 manual wheelchair is a manually operated device with wheels that is intended to provide mobility to adults restricted to a sitting position.

C. Your Safety

NOTE: Contact Ki Mobility for information on safety recalls and notices.

Any serious adverse events or injuries related to the use of your wheelchair or its accessories must be reported immediately if the incident directly or indirectly leads to serious health decline or death of the user or other person. Report any serious events and/or injuries to Ki Mobility and, if required by local regulation, the competent health authority where the user and/or other person legally reside.

Do not use this wheelchair without first reading this entire manual. BEFORE riding, you should be trained in the safe use of this chair by an Assistive Technology Professional (ATP) or other competent clinical or technical professional. Ki Mobility manufactures many different wheelchairs that might meet your needs. The recognized best practice for selecting a wheelchair is to consult with an ATP or other competent technical professional and an experienced clinical professional such as a physical therapist, occupational therapist or physician. Final selection of the type of wheelchair, options and adjustments rests solely with you and your technical and clinical professionals. The options you choose, and the set-up and adjustment of the wheelchair have a direct impact on its performance, stability and its ability to meet your needs. Factors to consider that affect your safety and stability are:

- a. Your personal abilities and capabilities including strength, balance and coordination.
- b. The types of hazards and obstacles you might encounter during your day.
- c. The specific dimensions, options and set up. In particular, the seat height, seat depth, seat angle, back angle, size and position of the rear wheels and size and position of the front casters.

III. NOTICE - READ BEFORE USE

D. Signal Words

Within this manual you will find what are referred to as “Signal” words. These words are used to identify and convey the severity of varying hazards. Before using this chair you, and each person who may assist you, should read this entire manual. Please note the Signal word and consider any notes, cautions or warnings. Make sure to follow all instructions and use your chair safely. The Signal word refers to a hazard or unsafe practice that may cause severe injury or death to you or to other persons. The “Warnings” are in three main categories, as follows:

NOTE – Note indicates a potentially hazardous situation which, if not avoided, could result in a decline in the performance of the chair or damage to your wheelchair.



CAUTION: Caution indicates a potentially hazardous situation which, if not avoided, could result in damage to your wheelchair and injury to you.

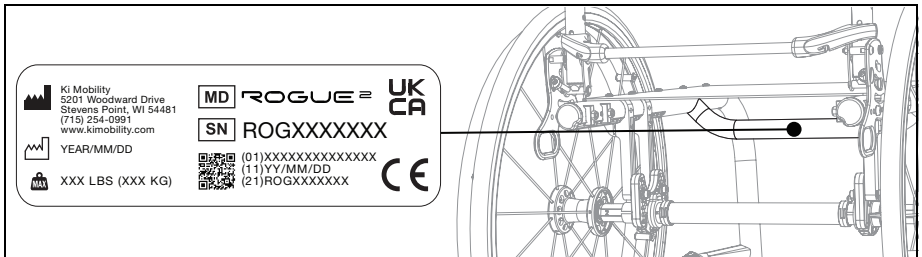


WARNING: Warning indicates a potentially hazardous situation which, if not avoided, could result in serious injury or death.

These signal words will be placed throughout the manual, where appropriate to highlight the hazardous situation. Refer to Section F. for hazardous situations that will apply to the general use of this wheelchair.


















E. Serial Number Identification

The serial number label provides important information about your chair and the serial number is used as the unique identifier for your specific chair. See image below on where to find the serial number on your chair.



III. NOTICE - READ BEFORE USE

F. Symbol Glossary

SYMBOL	DEFINITION
	Indicates the medical device manufacturer.
	Date of manufacture (YEAR/MM/DD).
	Indicates the need for the user to consult an instruction for safety reasons such as cautions and warnings. If presented on the medical device or packaging, it indicates the need for the user to consult the instructions for safety reasons such as cautions and warnings.
	Indicates the item is a medical device.
	Indicates the manufacturer's serial number so that a specific medical device can be identified.
	Indicates the authorized representative in the European Community.
	Indicates the manufacturer's declaration that the product meets the requirements of the applicable EC directives.
	Indicates the need for the user to consult the instructions for use.
	Indicates the need for the user to consult the listed website for instructions for use in an electronic format.
	Indicates a website where a user may obtain additional information about the medical product.
	Indicates a specified maximum weight limit (lbs/kg).
	Indicates a transit securement point.
	Indicates a potential pinch point.
	Indicates the entity importing the medical device into the locale.
	Conforms with ANSI/RESNA WC-4 Section 19 (WC19) and ISO 7176-19.
	Indicates not for transit use.
	Indicates the manufacturer's declaration that the product meets the requirements of the applicable UKCA directives.











III. NOTICE - READ BEFORE USE

G. General Warnings and Cautions

WARNING


	Standard	Transit
Rogue 2	275 lbs (125 kg)	275 lbs (125 kg)


WARNING: Limits refer to combined weight in pounds of user and all items carried. Do not exceed weight limit of chair. Exceeding weight limit may damage your chair or may increase your risk of falling or tipping over. A tip-over or fall could result in serious injury or death.

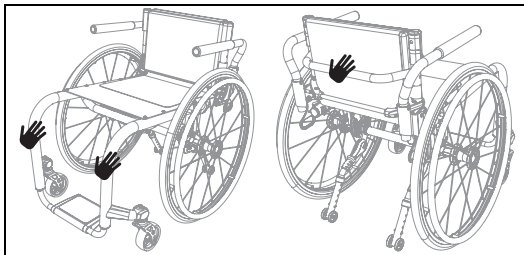
-  Do not use chair for weight training. The movement of the additional weight alters the chair's center of gravity increasing your risk of tipping over. A tip-over could result in damage to your chair or in serious injury or death.
-  Do not hang backpacks, bags or heavy objects above the occupants center of gravity. The additional weight alters the chair's center of gravity increasing your risk of tipping over. A tip-over could result in serious injury or death. If additional loads need to be carried, it is recommended to use under seat carriers and pouches. Objects hung on the chair may cause instability, may prevent access to the chair components, may become entangled in moving parts or may cause a premature wear of chair components such as back upholstery and push handles.
-  Keep tires inflated to correct tire pressure. Using a chair without properly inflated tires may affect its stability, increasing your risk of tipping over. A tip-over could result in damage to your chair or in serious injury or death to you or others. Correct tire pressure is indicated on the side wall of the tire. Your wheelchair provider can determine if your tires are inflatable if you are unsure.
-  Avoid ramps or slopes inclined more than 9 degrees. Steep slopes increase your risk of falling or tipping over. A tip-over or fall could result in damage to your chair or in serious injury or death to you or others. Do not use chair on ramps or slopes tilted more than 9 degrees (about 2 inches rise/drop per linear-foot): neither up/down nor across.
-  Avoid inclined surfaces slick or coated with ice, oil or water. Slippery inclines could result in an inability to control the wheelchair on the surface and result in a tip-over or fall. A tip-over or fall could result in damage to your chair or in serious injury or death.
-  Avoid leaning over the side or back of your wheelchair to extend your reach. Leaning over chair could change its center of gravity and cause an unstable situation resulting in a fall or tip-over. A tip-over or fall could result in damage to your chair or in serious injury or death.
-  Do not lift wheelchair by it's removable parts while occupied. Lifting a wheelchair by removable parts while occupied could cause user to fall or lose control. A fall or loss of control could result in damage to your chair or in serious injury or death.
-  Packaging material must be kept out of the reach of children. Improper handling of packaging materials and the neglect of the duty to supervise children could result in suffocation and serious injury or death.
-  Your wheelchair meets ISO 7176-16 for flammability. Resistance to ignition can change with use, aging or cleaning. Precautions should be taken to avoid ignition sources and proximity to flammable materials that can increase ignition such as oxygen and alcohol. Also, be aware that adding components, seating, postural supports or materials to the chair may alter flammability. Changes to flammability may result in serious injury or death.
-  In the event of corrosive spills or exposure to biohazards, remove contaminants immediately or serious injury or death could occur. See the Cleaning section in this manual for instructions.


III. NOTICE - READ BEFORE USE

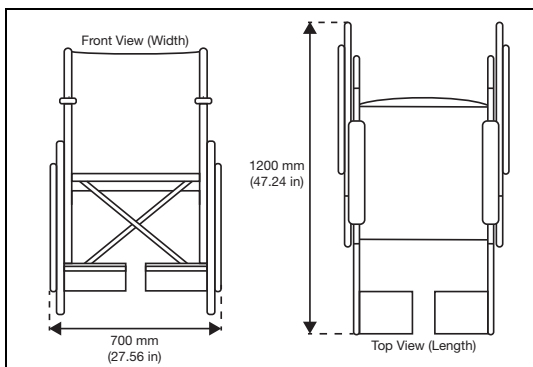
G. General Warnings and Cautions (Continued)

 Any body part that presses against a wheelchair frame or other wheelchair components may create skin deformation that results in a high pressure point. High pressure points negatively affect the tissue under stress and can cause you to develop a pressure injury or skin breakdown. If your skin develops redness, or any other symptoms of a pressure injury or skin breakdown, discontinue the use of this product immediately and consult your clinician. Continuing to use the wheelchair after skin changes are present can result in serious injury or death.

 For safe moving and lifting of the wheelchair without an occupant, it is recommended to fold the backrest (if configuration allows) and grip at points on the frame as indicated in diagram. Take care to not grip at points where components are removable or move during use of chair in order to avoid injury and a failure of the component.



 Overall dimensions of wheelchairs vary according to its specific configuration such as seat depth, seat width, wheel and tire choices and the addition of aftermarket equipment not provided by Ki Mobility. If overall dimensions of your specific wheelchair exceeds the recommended dimensions in image below it may limit access to emergency escape routes. Inability to access an emergency escape may result in serious injury or death.



CAUTION

CAUTION: Avoid overtightening bolts and hardware that attach components to the frame. Overtightening could cause damage to the chair; affecting its durability and performance. Damage to the chair could result in injury to the user.

NOTE: Information about tightening hardware can be found in the maintenance section of this manual. If you are unsure how to properly tighten bolts or hardware or lack the tools necessary, consult your authorized supplier.

III. NOTICE - READ BEFORE USE

G. General Warnings and Cautions (Continued)

WARNING

WARNING: Use of footrest without supportive foot coverings like shoes can result in serious injury to your feet.

Ki Mobility wheelchairs are available with multiple footrest options. They vary in adjustability and are designed to facilitate proper support and positioning of your feet. They are intended to be used with supportive foot coverings like shoes. In general, the footplates themselves may be smaller than your feet and will not protect your feet from injury from bumping into walls, doors, or other hard surfaces you may encounter during wheelchair use. The surfaces may have textures or coatings to prevent your foot from sliding off. Some have slots to facilitate attaching other types of foot supports. These textures coatings or attaching schemes are not designed to interact with uncovered feet and can lead to skin abrasion or pressure points which can affect tissue integrity. Secondary supports such as footpads or footbox can be added to protect your feet if you do not wear proper supportive foot coverings like shoes. If you are unsure whether your footrests are appropriate for you should consult with an ATP or other competent technical professional and an experienced clinical professional such as a physical therapist, occupational therapist, or physician to determine what footrests will best meet your needs. If you have skin breakdown or other tissue integrity issues you should discontinue use and seek advice from a clinical professional trained in skin care such as a doctor, nurse, or a therapist. Always follow the advice of the clinical professionals caring for your skin and wear recommended dressings and/or coverings to protect your skin.

WARNING

WARNING: Use of residual limb support without proper coverings can result in serious injury to your residual limb(s).

If you have had an amputation or have deformities of your lower extremities your wheelchair may have been provided with one or two residual limb supports. Residual limb supports are designed to be used with proper coverings of your residual limb(s). They may intentionally be shorter than your residual limb(s) and will not protect your residual limb from injury from bumping into walls, doors, or other hard surfaces you may encounter during wheelchair use. Residual limbs can be subject to tissue integrity issues from shear and abrasion. You should always wear proper coverings of the residual limb(s) to diminish this risk. If you have skin breakdown or other tissue integrity issues you should discontinue use and seek advice from a clinical professional trained in skin care such as a doctor, nurse, or a therapist. Always follow the advice of the clinical professionals caring for your skin and wear recommended dressings and/or coverings to protect your skin.

WARNING

WARNING: Depending on your skin and other conditions related to your disability you may develop irritations or abrasions from prolonged contact with or rubbing against the surfaces of your wheelchair. Irritation and abrasions can lead to further complications from skin breakdown which can be serious.


Ki mobility recommends wearing clothing or other protected coverings over skin that is resting or rubbing against components or the frame of your wheelchair. If you have skin breakdown or other tissue integrity issues you should discontinue use and seek advice from a clinical professional trained in skin care such as a doctor, nurse, or a therapist. Always follow the advice of the clinical professionals caring for your skin and wear recommended dressings and/or coverings to protect your skin.

III. NOTICE - READ BEFORE USE

H. Positioning Belts or Harnesses

WARNING

WARNING: Improper use of positioning belts can cause the user to slide underneath the positioning belt in the wheelchair. If this should happen, chest compression or suffocation due to pressure from the belt can occur. If this occurs, the user's breathing may be hampered causing serious injury or death.

 **Improper use of positioning belts could cause body parts to become entangled which can restrict mobility and movement, which could result in serious injury or death.**

Ki Mobility recommends the use of pelvic positioning belts. Pelvic positioning belts can reduce the risk of falling from your wheelchair.


Positioning belts, such as pelvic positioning belts and anterior trunk harnesses and straps, are designed to assist, retain and support proper positioning and posture in the wheelchair.

- Ensure the user does not slide underneath the positioning belt in the wheelchair seat.
- The positioning belt should have a snug fit; tight enough to hold their position, but not so tight as to restrict breathing. An open hand should be able to fit between the belt and the user.
- Proper use of cushions can contribute to pelvic stability and reduce sliding.
- NEVER Use Positioning Belts:
 - a. As a restraint. A restraint requires a doctor's order.
 - i. Unless you can remove the belts easily in an emergency. If you cannot do this, consult with your health care advisor for other options to help with your posture.
 - b. On a user who is unconscious or agitated.
 - c. As an occupant restraint or safety belt in a motor vehicle. A positioning belt is not designed to replace a seat belt that is attached to the frame of a vehicle, which would be required of an effective seat belt. During a sudden stop, with the force of the stop, the user would be thrown forward. Wheelchair seat belts will not prevent this, and further injury may result from the belts or straps. Reference Transit section of this manual for further information.

I. Riding Your Wheelchair










WARNING

WARNING: Avoid pushing or using your wheelchair on soft, rough, uneven, or slick surfaces (including but not limited to ice, sand, loose soil, grass, gravel, potholes, cracks, and broken pavement). Use on such surfaces could cause the wheelchair to lose stability causing it to tip unexpectedly resulting in a fall or loss of control. A fall or loss of control could result in damage to your wheelchair, serious injury or death.

 **Always look ahead for potential obstructions or surface transitions that could cause your front caster wheels or footplate to catch causing your wheelchair to abruptly stop. Failure to do so could cause the wheelchair to tip unexpectedly resulting in a fall or loss of control. A fall or loss of control could result in damage to your wheelchair, serious injury or death.**

III. NOTICE - READ BEFORE USE

I. Riding Your Wheelchair (Continued)

-  Always look ahead for objects or obstructions that your wheelchair could potentially strike. Striking an object or obstruction could cause your wheelchair to tip unexpectedly resulting in a fall or loss of control. A fall or loss of control could result in damage to your wheelchair, serious injury or death. In addition, striking an object or obstruction could cause damage to your wheelchair. The risk of injuries and damage to your wheelchair when striking an object or obstruction increases with your rate of speed.
-  Using your wheelchair on public roads is extremely hazardous and is not recommended. Wheelchair users must obey pedestrian traffic rules. Review the traffic laws in your own state, some states do not permit wheelchair use on public roads.
-  Your balance is affected by the slope of the surfaces you ride on. Because balance is affected, your wheelchair will be less stable when it is at an angle. This is especially true when riding on a slope sideways. Riding your wheelchair on a slope could cause the wheelchair to tip unexpectedly and/or the user to lose stability resulting in a fall or loss of control. A fall or loss of control could result in damage to your wheelchair, serious injury or death.
-  When using your wheelchair in public or private areas (including but not limited to crosswalks, sidewalks, neighborhoods, parking lots and parks) be alert to the danger of motor vehicles. Due to your low position:
 - When lighting is poor use reflective tape on your wheelchair and clothing.
 - If you have the right-of-way always yield until the driver of the motor vehicle has seen you.
-  Use extreme caution when propelling backward. You may be unable to see an obstruction that could cause a tip over. Tipping over could result in damage to your wheelchair, serious injury or death.
-  Ki Mobility does not recommend balancing on just the rear wheels with the front casters off the ground (also known as doing a “wheelie”). A fall or tip over is very likely and could result in damage to your wheelchair, serious injury or death. If you choose to ignore this warning, do not attempt a wheelie unless you have been trained by a clinical or technical professional. You should always have the assistance of an able-bodied person prepared to prevent you from exceeding your tipping point.
-  Do not ride your wheelchair on an escalator. Use of a wheelchair on an escalator could cause a fall, tip-over or loss of control. A fall, tip over or loss of control could result in damage to your wheelchair, severe injury or death.
-  Avoid getting dressed or undressed in your wheelchair. Dressing or undressing in your wheelchair causes your weight to shift. Thus, increasing your risk of falling or tipping over. Falling or tipping over could result in damage to your wheelchair, serious injury or death.
-  Ki Mobility recommends using accessories such as heel loops and calf straps. When used properly, heel loops and calf straps can aid in preventing your legs and feet from accidentally slipping off the footplate or footrest potentially causing your feet to become entangled in the wheelchair and its components or strike the ground. Use of a wheelchair without accessories such as properly fitted heel loops and calf straps can result in a potentially hazardous situation which, if not avoided, could result in injury.

III. NOTICE - READ BEFORE USE

I. Riding Your Wheelchair (Continued)

When using your wheelchair always:

- Scan the area well ahead of your wheelchair as you ride.
- Ensure the surfaces you ride on are level and free of obstacles.
- Remove or cover threshold strips between rooms.
- If your wheelchair has anti-tips make sure they are locked in place when riding your wheelchair (Reference IV, N. for proper use of anti-tips).
- Keep both of your hands on the handrims as you go over obstacles.
- Never push or pull off an object to propel your wheelchair.
- Make sure there is not a drop off at the bottom of ramps.
- On an up-slope, lean your upper body forward slightly to prevent tipping backwards.
- On a down-slope, press your upper body backwards to prevent tipping forward.
- Do not attempt to push over obstacles without assistance.
- Ensure all ramps, slopes or curb cuts you attempt to ride on are compliant with ADA (Americans with Disabilities Act) guidelines or the equivalent accessibility guidelines in your region.

ADA Guidelines and more information about accessible design are available at: www.ada.gov

J. Power Drives

WARNING

WARNING: Ensure the power drive system has been validated and approved by the manufacturer for use with your Ki wheelchair and its configuration. Use of an unapproved external power drive system could result in mechanical failure of the wheelchair or cause a fall. A fall could result in damage to your wheelchair, severe injury or death.



Power drive systems change the stability and performance of the wheelchair. Always use anti-tips with your power drive system. Failure to do so could result in your wheelchair tipping over backwards. Tipping over backwards could result in damage to your wheelchair, severe injury or death.



Always look ahead for objects or obstructions that your wheelchair could potentially strike. Power drive systems change the performance of the wheelchair and will increase the risk of tipping unexpectedly if you strike an object or obstruction. Tipping unexpectedly could result in a fall or loss of control. A fall or loss of control could result in damage to your wheelchair. The risk of injuries and damage to your wheelchair when striking an object or obstruction increases with your rate of speed.

Ki Mobility does not recommend the installation of power drive systems on any Ki Mobility wheelchair. Ki Mobility wheelchairs have not been designed or tested by Ki Mobility as power wheelchairs. If you add a power drive system to a Ki Mobility wheelchair, be sure the manufacturer of the power drive system has validated and approved the combination of the power drive system and wheelchair as safe and effective.

III. NOTICE - READ BEFORE USE

K. Your Wheelchair and the Environment

CAUTION

CAUTION: Exposure to water or excessive moisture may cause the metal in the wheelchair to rust or corrode and the fabric to tear. Dry your chair as soon as possible if exposed to water.



DO NOT USE YOUR WHEELCHAIR IN A SHOWER, POOL OR BODY OF WATER. This will cause your wheelchair to rust or corrode and eventually fail.



Do not operate your wheelchair in sand. Sand can get into the wheel bearings and moving parts. This will cause damage and eventually will cause the wheelchair to fail.

L. Modifying your Wheelchair

WARNING

WARNING: NO ONE SHOULD MODIFY THIS WHEELCHAIR EXCEPT BY ADJUSTING IT ACCORDING TO THIS MANUAL OR BY ADDING KI MOBILITY APPROVED OPTIONS. THERE ARE NO APPROVED OPTIONS THAT INVOLVE DRILLING OR CUTTING THE FRAME BY ANYONE OTHER THAN A TRAINED KI MOBILITY ASSOCIATE. Your wheelchair was engineered and manufactured under strict design controls. An integral part of this process is ensuring the various components work together correctly; they have been tested to various standards to ensure quality and are approved to work together. Contact an authorized supplier or Ki Mobility before adding any accessories or components not provided by Ki Mobility. Unapproved modifications or options could lead to fall and cause serious injury or death.

M. Wheelchair Stability

WARNING

WARNING: The stability of your wheelchair could be affected when using on soft, rough, uneven (incline or decline), or slick surfaces (including but not limited to ice, sand, loose soil, grass, gravel, potholes, cracks, and broken pavement). Use on such surfaces could cause the wheelchair to tip unexpectedly resulting in a fall or loss of control. A fall or loss of control could result in damage to your wheelchair, serious injury or death.



Shifting weight in your wheelchair, adding weight to your wheelchair and carry or reaching for objects could affect the stability of your wheelchair. Thus, increasing your risk of falling or tipping over. Falling or tipping over could result in damage to your wheelchair, serious injury or death.



Avoid getting dressed or undressed in your wheelchair. Dressing or undressing in your wheelchair causes your weight to shift. Thus, increasing your risk of falling or tipping over. Falling or tipping over could result in damage to your wheelchair, serious injury or death.



Ki Mobility does not recommend balancing on just the rear wheels with the front casters off the ground (also known as doing a “wheelie”). A fall or tip over is very likely and could result in damage to your wheelchair, serious injury or death. If you choose to ignore this warning, do not attempt a wheelie unless you have been trained by a clinical or technical professional. You should always have the assistance of an able-bodied person prepared to prevent you from exceeding your tipping point.

III. NOTICE - READ BEFORE USE

M. Wheelchair Stability (Continued)

WARNING

WARNING: If the wheelchair is equipped with a system to vary the tilt angle of the seat frame, confirm it is stable throughout the range of angle changes before use. If the wheelchair is not stable throughout the range of tilt angles a fall or tip over is imminent. Falling or tipping over could result in damage to your wheelchair, serious injury or death.

Strategies to minimize the risk of falling:

- Ensure anti-tips are in the correct position (Reference IV, N. for proper use of anti-tips).
- Lean forward when pushing up an incline.
- Lean back when pushing down a decline.
- Have an attendant behind you to provide assistance.
- Wheelchair set up should be done only by an authorized technician.
- Always use the accessories provided.
- Your wheelchair should be adjusted by an authorized technician when there are changes in your weight or how you sit.
- Always use anti-tips where appropriate (Reference IV, N. for proper use of anti-tips).

To ensure proper stability of your wheelchair, you must make sure the center of gravity and the wheelchair's base of support is correct for your balance and abilities. Many factors can affect these two elements:


- Seat height
- Seat depth
- Back angle
- Seat angle
- Size and position of rear wheels
- Size and position of front casters
- Seating system components
- Tilt position (If applicable)

There are additional actions that can have adverse effects on the stability of your wheelchair. You should consult with an assistive technology professional or clinical professional that is familiar with your needs and capabilities to determine what you are able to do safely while maintaining the stability of your wheelchair.

N. Aftermarket Seating

WARNING

WARNING: The installation of a cushion on a wheelchair could affect the center of gravity of the wheelchair. Changes in your center of gravity may affect your stability in your wheelchair, resulting in tipping over or falling from your wheelchair which may result in serious injury. Always review the instructions for use of your wheelchair to see if changes to the wheelchair may be needed to provide sufficient stability after adding a cushion.

 **The integrity of your skin can be affected by many aspects of your daily life and medical condition, including the use of this product. Be sure to follow any skin care regimens established by your clinician. Consumers of this product should make sure their skin is inspected routinely for changes as directed by their clinician. Failure to do so could result in serious injury or death.**

Selecting the Proper Seating Product

You should consult with a licensed clinician (i.e. Physician or therapist) trained in wheelchair seating and positioning before selecting any seating and positioning product. This will help ensure you receive the right product for your specific needs.

IV. WHEELCHAIR USE & CONFIGURATION

A. Curbs, Steps and Stairs



WARNING: Do not ascend or descend more than 1 or 2 steps/stairs in your wheelchair. If you fail to heed these warnings damage to your chair, a fall, tip-over or loss of control may occur and cause severe injury or death to the rider or others.

- A. Do not try to climb or descend a curb or step alone UNLESS you are a skilled rider of this chair and:
 - a. You can safely do a "wheelie" and:
 - i. You are sure you have the strength and balance to do so.
 - ii. Unlock and rotate anti-tip tubes up, out of the way, so they do not interfere.
 - iii. Do not try to climb or descend a high curb or step (more than 4 inches high) UNLESS you have help. Doing so may cause your chair to exceed its balance point and tip over.
 - iv. Go straight up and straight down a curb or step. If you climb or descend at an angle, a fall or tip-over is likely.
 - v. Be aware that the impact of dropping down from a curb or step can damage your chair or loosen fasteners.
- B. Do not ascend or descend stairs in your wheelchair. Ascending and descending stairs can be challenging and may result in a fall that could result in damage to your wheelchair, serious injury or death to the user and/or those assisting.

V. WHEELCHAIR USE & CONFIGURATION

B. Transfers

WARNING

WARNING: There are many varied appropriate transfer techniques that depend on your level of disability and your unique individual functional capabilities. You should be trained by a clinical professional in the proper transfer technique for you. Assure that you can safely transfer on your own before attempting independent transfers. Be aware there is likely a point during the transfer when the wheelchair seat is not below you. Failure to perform a transfer properly can result in a fall that could result in severe injury or death.

NOTE: Before transferring out of your wheelchair every caution should be taken to reduce the gap between the two surfaces.

1. Engage the wheel locks to lock the rear wheels.
2. Rotate the casters forward to increase the wheelbase of the wheelchair.
3. Remove or swing away the footrests.
4. Have someone assist you unless you are well experienced and able in transfers.

C. Transit Use

WARNING

WARNING: Never use your wheelchair as a seat in a motor vehicle unless it has been equipped with the transit option. It is always safest to transfer out of your wheelchair onto a seat in a motor vehicle with appropriate seat and shoulder belts. Using your wheelchair as a seat in a motor vehicle, if not equipped with the transit option, could result in serious injury or death.

The wheelchair equipped with the transit option has been tested to and passed the RESNA WC-4, Section 19: Wheelchairs used as seats in motor vehicles and ISO 7176-19 Wheelchairs -- Part 19: Wheeled mobility devices for use as seats in motor vehicles. RESNA and ISO standards are designed to test the structural integrity of the wheelchair as a seat for use in a motor vehicle. These standards are also designed to create compatibility with Wheelchair Tie-down and Occupant Restraint Systems (WTORS).

Not every wheelchair configuration is compatible with the transit option. Ki Mobility manages the configuration and does not offer this wheelchair except in compatible configurations. If you make changes to your wheelchair after you receive it, you should contact your wheelchair provider or Ki Mobility to make sure it is appropriate to continue to use your wheelchair as a seat in a motor vehicle.

Crashworthy pelvic belt restraints and instructions for use are available from Ki Mobility Customer Service to be used in conjunction with a vehicle anchored shoulder belt.

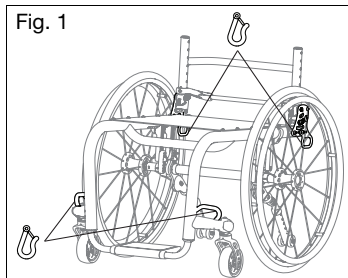
Aftermarket seating may have replaced the original equipment seat and back support designed and tested as part of the transit option. Your wheelchair provider should tell you if the seating they provided is original equipment or replacement aftermarket seating. A complete system of wheelchair frame, seating, Wheelchair Tie-down and Occupant Restraint Systems and a properly equipped motor vehicle, that have all complied with the standards mentioned in this section, should be in place before using a wheelchair equipped with the transit option as a seat in a motor vehicle.

When using your wheelchair as a seat in a motor vehicle you should always observe the following instructions:

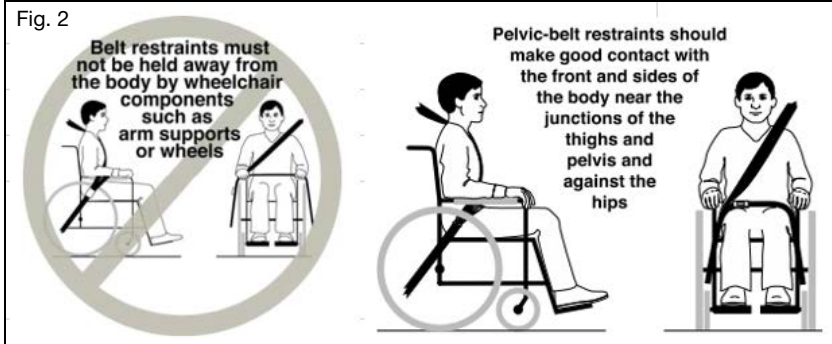
IV. WHEELCHAIR USE & CONFIGURATION

C. Transit Use (Continued)

- The rider must be in a forward-facing position.
- The rider and all items carried must not weigh more than 275 lbs (125 kg).
- Some configurations of this model may exceed 28.5 in. (724 mm) in width which is the minimum width for lift platforms for ADA compliant vehicles.
- In cases of heavy and oversized wheelchairs, transportation in larger vehicles is recommended when the option exists.
- Backpacks and pouches should be removed and secured separately in the motor vehicle. In the event of an accident these items can become dangerous projectiles, which may injure or kill you or other occupants of the motor vehicle.
- The rider must use a Wheelchair Tie-down and Occupant Restraint System that complies with RESNA WC-4, Section 18: Wheelchair tie-down and occupant restraint systems for use in motor vehicles or ISO 10542-1 Technical systems and aids for disabled or handicapped persons -- Wheelchair tie-down and occupant-restraint systems -- Part 1: Requirements and test methods for all systems.
- Attach the wheelchair tie-downs to the four securement points (two front, two rear) on the wheelchair with the transit option (Fig. 1) in accordance with the wheelchair tie-down manufacturer's instructions and RESNA WC-4, Section 18 or ISO 10542-1, - Part 1.
- Use only designated securement points to secure your wheelchair to a vehicle (Fig. 1).



- Attach occupant restraints in accordance with the occupant restraint manufacturer's instructions and RESNA WC-4, Section 18 or ISO 10542-1, Part 1 (Fig. 2).
- Both pelvic and shoulder belt restraints should be used to reduce the possibility of head and chest impacts with vehicle components (Fig. 2).



IV. WHEELCHAIR USE & CONFIGURATION

C. Transit Use (Continued)

WARNING

WARNING: Ensure restraint release mechanisms will not be activated by wheelchair components during a crash. Activation of restraint release mechanisms during a crash may result in serious injury or death.

- Use of headrests, lateral supports or other positioning accessories should not be used, or relied on as an occupant restraint. These belts should be positioned so that they don't interfere with the proper positioning of crash-worthy belt restraints and should not be relied on for occupant protection in crash situations unless the postural belt has been designed to comply with, and perform to, requirements 4.6, 5.2, 5.3 and 6.1 of RESNA WC-4.

WARNING

WARNING: Back supports with adjustable incline angles should not be reclined more than 30 degrees to vertical during vehicle travel unless necessary for the postural and medical needs of the occupant. After being fitted and adjusted, the top of the back support surface should be within 4 inches (10.2 cm) of the top of your shoulder. Failure to properly adjust backs support and incline angles may result in serious injury or death.

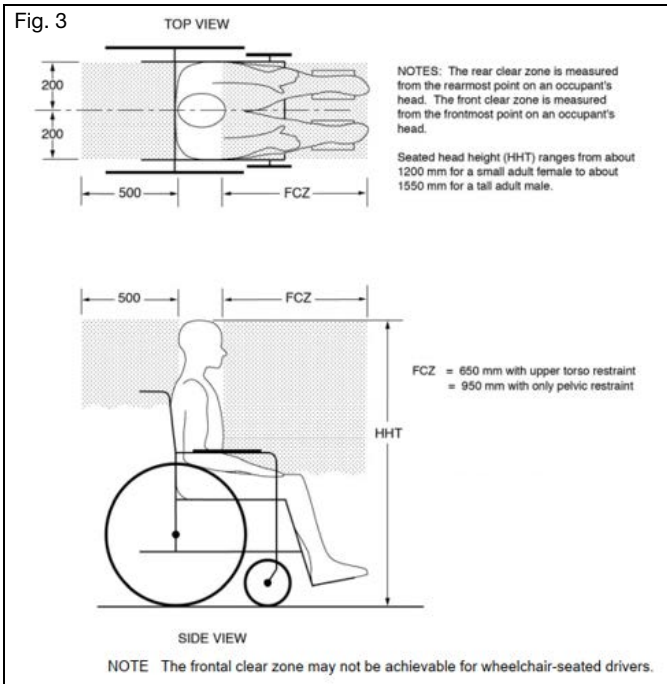
- Any aftermarket seating should be tested to comply with RESNA WC-4, Section 20 or ISO 16840-4 - Part 4.
- Attach the seating to the wheelchair frame in accordance with the seating manufacturer's instructions and RESNA WC-4, Section 20 or ISO 16840-4 - Part 4.
- Accessories such as trays, oxygen tank holders, oxygen tanks, IV poles, back packs, pouches and items not manufactured by Ki Mobility should be removed and secured separately in the motor vehicle. In the event of an accident, these items can become dangerous projectiles which may injure or kill you or other occupants of the motor vehicle.
- If the wheelchair has been involved in an accident, you should not continue to use it, as it may have suffered fatigue, or damage, that may not be visible.

IV. WHEELCHAIR USE & CONFIGURATION

C. Transit Use (Continued)

⚠️ WARNING ⚠️

WARNING: If interior components of the vehicle cannot be removed from the clear zone (Fig. 3) especially those near the occupants head during a side impact or vehicle rollover, they should be padded with material that complies with FMVSS 201. Failure to pad interior components in the clear zone may result in serious injury or death.



IV. WHEELCHAIR USE & CONFIGURATION

C. Transit Use (Continued)

WARNING

WARNING: Remove and secure any items temporarily attached to the chair while in a motor vehicle. Leaving items attached to the vent tray, battery tray or oxygen tank holder and not securing them properly and separately in a motor vehicle could result in these items becoming dangerous projectiles in the event of an accident. Additionally, oxygen tanks contain a highly pressurized gas that vigorously accelerates combustion. These factors could lead to serious injury or death to the user and/or anyone else in the vehicle.

- When using this wheelchair as a seat in a motor vehicle, you must remove any items attached to the vent tray, battery tray or oxygen tank holder and properly secure them separately.
- If the chair is equipped with an oxygen tank holder never use the wheelchair as a seat in a motor vehicle.

NOTE: To obtain copies of RESNA or ISO standards please contact the standards organizations below:

RESNA

www.resna.org

ANSI/RESNA Standards:

RESNA WC-4, Section 18:

Wheelchair tie-down and occupant restraint systems for use in motor vehicles.

RESNA WC-4, Section 19:

Wheelchairs used as seats in motor vehicles.

RESNA WC-4, Section 20:

Wheelchair seating systems for use in motor vehicles.

International Organization for Standardization (ISO)

www.iso.org

ISO Standards:

ISO 10542-1 Technical systems and aids for disabled or handicapped persons -- Wheelchair tie-down and occupant-restraint systems -- Part 1:

Requirements and test methods for all systems.

ISO 16840-4 Wheelchair seating – Part 4:

Seating systems for use in motor vehicles.

ISO 7176-19 Wheelchairs – Part 19:

Wheeled mobility devices for use as seats in motor vehicles.

U.S. Department of Transportation

FMVSS 201

www.nhtsa.gov

Occupant Protection in Interior Impact - Upper Head Impact Protection

Transit Test Results

Rating for lateral stability is Good.

Type of restraint: Three Point

Rating for ease of proper positioning a three point belt is Excellent.

Rating for the degree to which proper proper three point belt can be achieved is 16/16.

IV. WHEELCHAIR USE & CONFIGURATION

D. Cushion Use

WARNING

WARNING: Avoid sitting for long periods of time without a proper wheelchair cushion. Sitting for long periods of time without a proper wheelchair cushion could cause pressure ulcers which could lead to serious infections or even death.



Secure the cushion before use or transfer. Failure to secure a cushion can cause it to slide out during use or transfers, resulting in a fall or loss of control. A fall or loss of control could result in damage to your chair or in serious injury or death to you or others.

- a. This wheelchair was designed to be used with a proper wheelchair cushion.
- b. The standard sling upholstery is provided with hook and loop self fastening strips. The cushion being used should have hook type fasteners that can engage the loop of the seat sling to keep the cushion from sliding out from under you. Ensure the cushion is securely attached before transferring or sitting in the wheelchair.
- c. A standard seat sling may not have been provided with your chair. Check with your wheelchair provider if an aftermarket replacement to the original equipment sling has been provided. If so, make sure you follow the instructions for use provided by the aftermarket manufacturer.

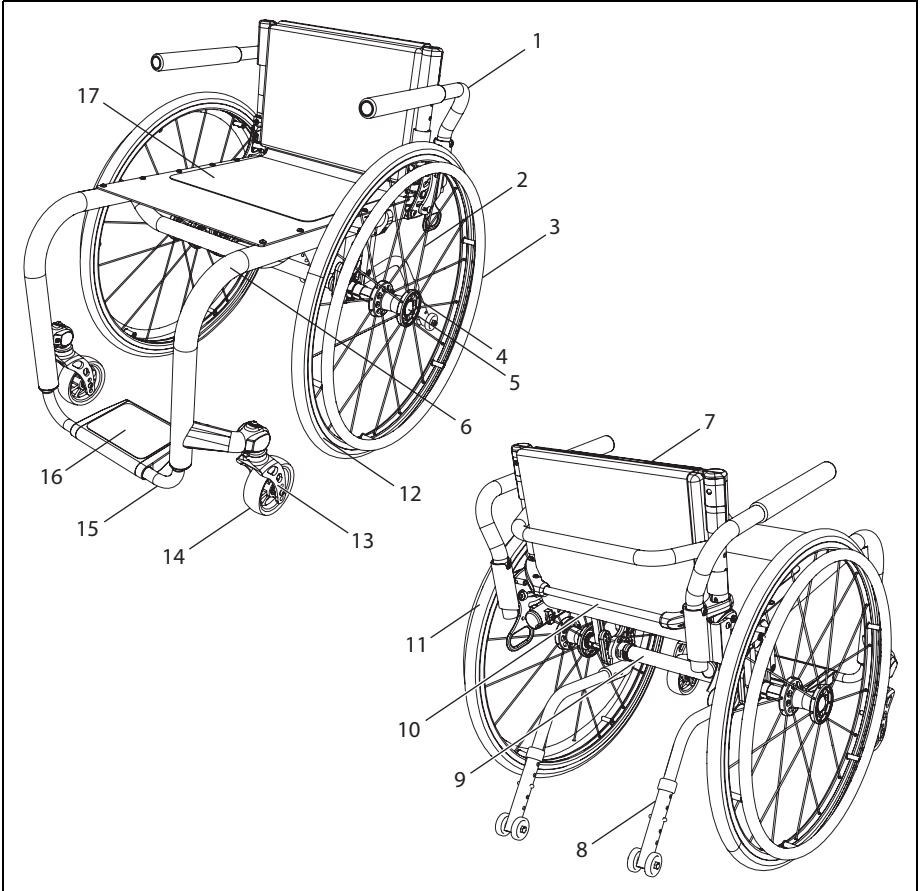
E. Transporting of Unoccupied Wheelchair

Ki Mobility wheelchairs are generally suitable for transport in motor vehicles and airplanes. Wheelchairs should always be secured (specific instructions from carrier required). Depending on wheelchair configuration, any particular wheelchair may be too large for transport in some motor vehicles or airplanes. Refer to other sections of this manual on how to remove options and accessories to decrease size for stowing.

IV. WHEELCHAIR USE & CONFIGURATION

F. Your Rogue 2 & Its Parts

1. Inspect and maintain your chair using information found in the Maintenance and Care section.
2. If you detect a problem, contact your authorized supplier immediately.



1. Swing Away Armrest
2. Spoke
3. Handrim
4. Rear Wheel Hub
5. Quick-Release Axle
6. Frame
7. Back Upholstery
8. Anti-Tip
9. Camber Tube

10. Release Bar
11. Wheel
12. Aluminum Wheel Rim
13. Caster Fork
14. Caster
15. Footrest
16. Footplate
17. Seat Upholstery

IV. WHEELCHAIR USE & CONFIGURATION

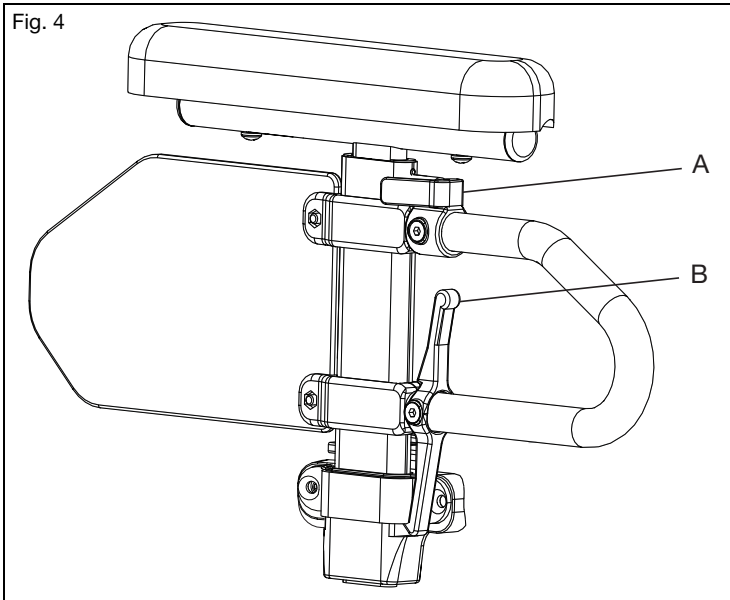
G. Height Adjustable T-Arm

WARNING

WARNING: These arms offer only a lock against rotation and are designed to bear a downward force only. They will remove completely if pulled up on and cannot be used to lift or otherwise handle the chair. Failure to comply with the instructions above may result in the armrest accidentally disconnecting from the wheelchair and result in a fall or loss of control and may cause serious injury or death.

How to Use Your Armrest

1. Installation
 - a. Slide the outer armpost into the receiver mounted to the wheelchair frame.
 - b. The armrest will automatically lock into place. Check to make sure the locking lever is as shown (Fig. 4:B).
2. Height Adjustment
 - a. Rotate the release lever (Fig. 4:A).
 - b. Slide the armrest pad up or down to the desired height.
 - c. Return the lever to the locked position against the arm post.
 - d. Push the arm pad until the upper arm locks firmly into place. Check to make sure the locking lever is as shown (Fig. 4:A).
3. Removing the Armrest
 - a. Squeeze the release lever (Fig. 4:B) and remove the armrest.



IV. WHEELCHAIR USE & CONFIGURATION

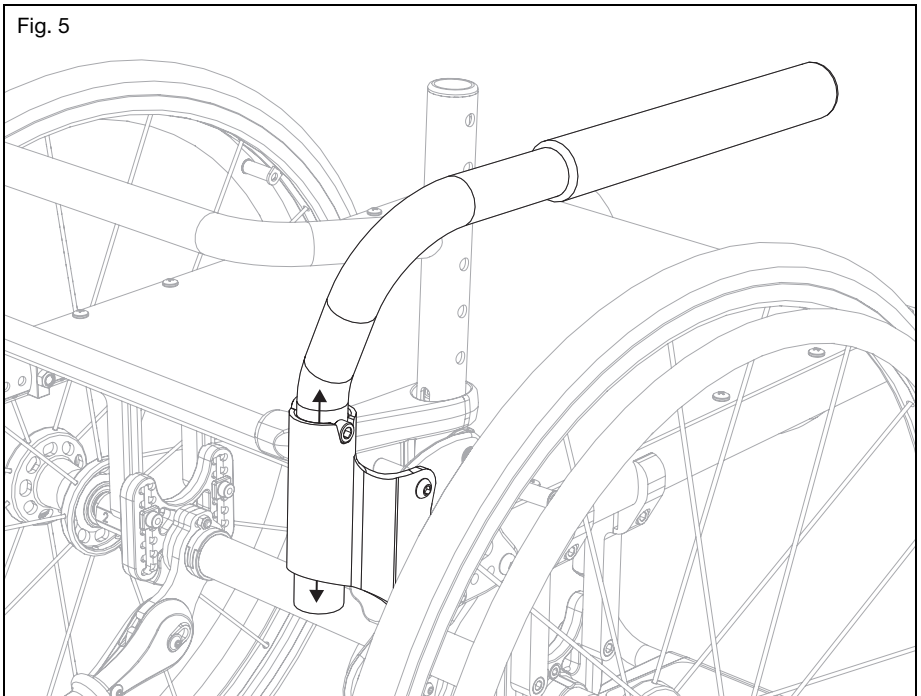
H. Swing Away Armrests

WARNING

WARNING: These arms offer only a lock against rotation and are designed to bear a downward force only. They will remove completely if pulled up on and cannot be used to lift or otherwise handle the chair. Failure to comply with the instructions above may result in the armrest accidentally disconnecting from the wheelchair and result in a fall or loss of control and may cause serious injury or death.

How to Use Your Armrest

1. Installation (Fig. 5)
 - a. Slide the armrest into the tube of the receiver that is mounted on the rear side of the frame.
2. Swinging the Arm
 - a. Lift the armrest slightly so it is free of the receiver bolt. Rotate away from the chair.
3. Removing the Armrest
 - a. Lift the armrest straight out of the receiver.



IV. WHEELCHAIR USE & CONFIGURATION

I. Rear Wheels

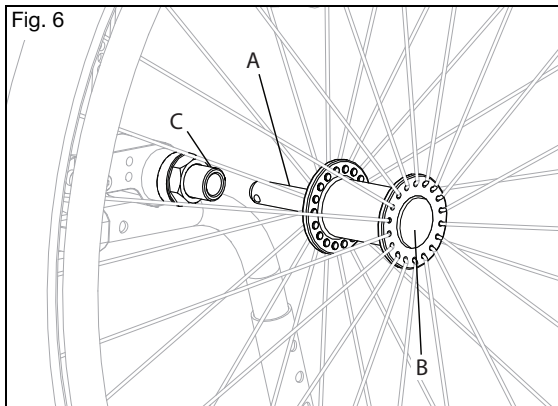
WARNING

WARNING: Before operating your chair, ensure the push button is completely extended and the locking balls on the inside are fully engaged. Failure to do so may result in the wheel falling off, which could cause a fall or tip-over resulting in serious injury or death to you or others.

How to Use Your Rear Wheels

1. Installing the Wheels

- a. Push in the quick release button (Fig. 6:B) on the axle (Fig. 6:C) to allow the locking balls to retract. Make note of the difference between the extended and depressed position of the axle release button and its effect on the locking balls on the other end of the axle.
- b. Insert the axle into the bearing housing on the wheel if it's separate.
- c. Push on the quick release button again and slide the axle into the axle sleeve (Fig. 6:A).
- d. Release the button to lock the axle in sleeve. If the release button does not fully extend and the locking balls do not move into the locked position after releasing the button, the axle length needs to be adjusted.
- e. If the wheel does not fit, try installing it on the opposite side.



2. Removing the Wheels

- a. Hold the wheel close to the hub and push the button in on the outside end of the axle.
- b. While still holding the button, pull the wheel and the axle out of the axle sleeve.

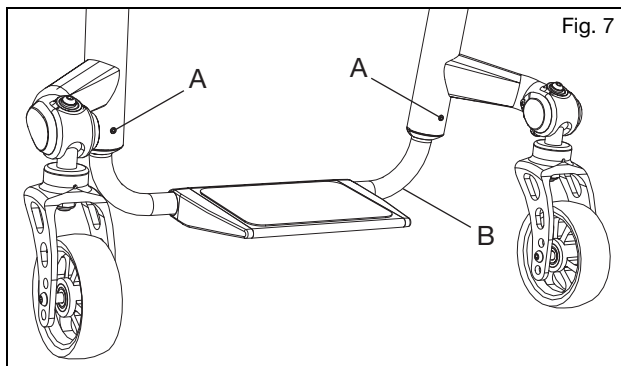
IV. WHEELCHAIR USE & CONFIGURATION

J. Adjusting the Footrest

How to Adjust the Height of Your Footrest

NOTE: The footrest height should be determined by working with your clinician to ensure the proper fit for your needs.

1. Loosen the set screw (Fig. 7:A) on each side of the frame using a 3mm Allen wrench. Do not remove the screws.
2. Adjust the footrest tube up or down to achieve the desired height (Fig. 7:B).
3. Ensure both sides are adjusted equally and retighten each set screw to 40 in./lbs (4.5 N*m).



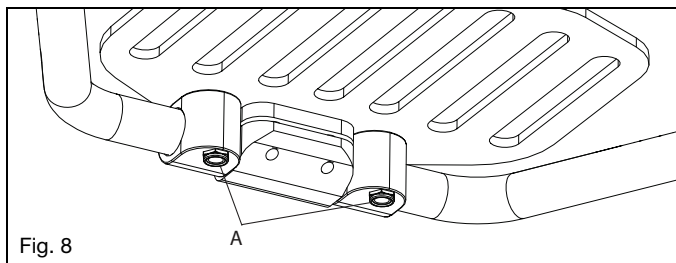
K. Angle Adjustable Footrest

How to Adjust the Angle of the Angle Adjustable Footplate:

1. Use a 4mm Allen wrench to loosen the two screws (Fig. 8:A) that secure the footplate to the footplate clamp. Do not remove the screws from the footplate. Once loose, the footplate will easily rotate around the footrest extension tube.
2. Select the desired position and retighten the two M6 screws (Fig. 8:A) to 80 in./lbs (9.04 N*m).

Changing the Position of the Aluminum Flip-Up Footplate:

1. Remove both M6 screws from the footplate. There are M6 nylock nuts recessed on the underside of the clamp. Be sure to prevent these from falling as you loosen the screws.
2. Adjust the footplate by rotating it either forward or rearward, depending on the desired angle. Once the preferred position is achieved, reinsert the screws into the appropriate holes.
3. Fit the nuts into the slot underneath the clamp and tighten the screws securely.

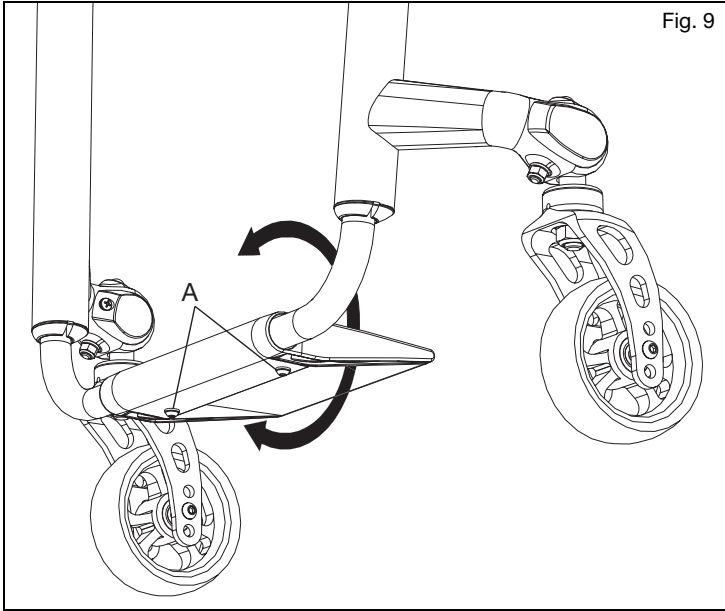


IV. WHEELCHAIR USE & CONFIGURATION

L. Hybrid Angle Adjustable Footrest

How to Change the Angle Adjustment of Your Footrest

1. Loosen the two screws (Fig. 9:A) on the bottom of the footrest using a 4mm Allen wrench.
2. Rotate the footrest to the desired angle and secure it in place by retightening the two screws.




IV. WHEELCHAIR USE & CONFIGURATION

M. Wheel Locks

WARNING

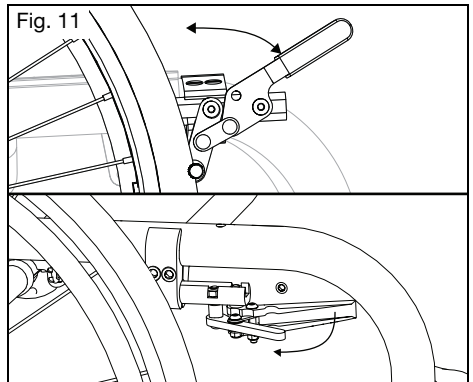
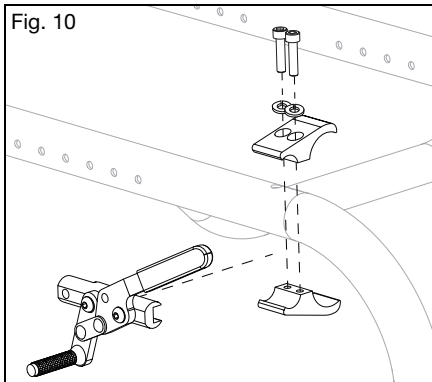
WARNING: Underinflated or worn tires may cause your wheel locks to not function properly. Failure of the wheel locks to hold your chair could cause a loss of control or fall resulting in serious injury or death.

 **Wheel locks are not to be used as brakes to slow or stop your wheelchair. Using a wheel lock as a brake could cause loss of control or a fall resulting in serious injury or death.**

How to Adjust Your Wheel Locks

NOTE: Always loosen and tighten wheel hardware by alternating between the two bolts while loosening/tightening a little at a time. This prevents overclamping on one set of hardware which leads to binding of the fasteners and increased difficulty in removal.

1. Use a 5mm Allen wrench to turn one of the screws in the clamp until it runs easily (less than one turn).
2. Repeat step 1 with the second screws so the clamp can be adjusted on the frame.
3. Adjust the clamp along the frame so the wheel lock properly compresses the tire and prevents any wheel movement. See Fig. 10.
4. Retighten the screws.
5. Always test new wheel lock positioning on a flat level surface. Once wheel locks are engaged, the wheels should not slip or move. If the wheel locks are not fitted properly readjust wheel lock again. See Fig. 11.



Wheel Lock Operation

1. Wheel lock operation is based on the lock style your chair is equipped with. Engagement of the wheel lock bar to tire is done by pushing or pulling on the wheel lock handle to fully engage wheel lock bar to tire.
2. To disengage wheel lock move in opposite direction.

IV. WHEELCHAIR USE & CONFIGURATION

N. Anti-Tips

⚠️ WARNING ⚠️

WARNING: Always keep anti-tips in the down position when they are not at risk of interference. Have a clinical or technical professional confirm your anti-tips are installed in the correct position. They can do so by tipping the occupied wheelchair back on to the anti-tips to test that they properly limit the rearward rotation of your wheelchair. If the anti-tips allow your wheelchair to tip to a point where your center of gravity (COG) is vertically aligned with the point where the wheel contacts the ground, the wheelchair is unstable and could result in the wheelchair tipping over. Tipping over could result in damage to your wheelchair, serious injury or death.

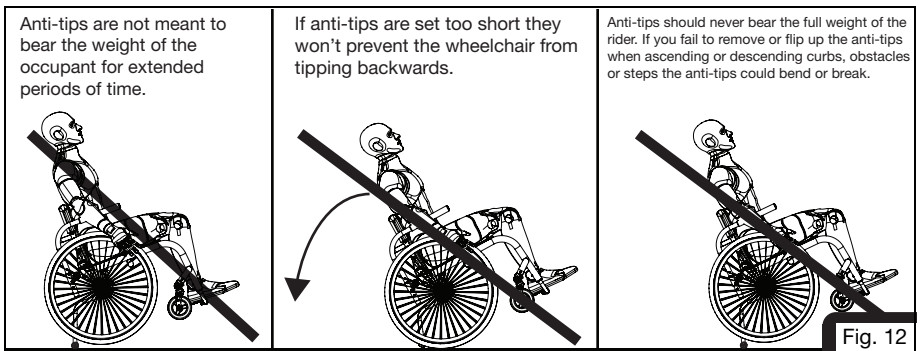
⚠️ **New and experienced wheelchair users switching to a new wheelchair or adjusting the configuration of a current wheelchair should always use anti-tips. If the user has a change in physical capabilities, they should use anti-tips as well. Any change in the user's physical capabilities or wheelchair increases the risk of tipping over backwards. Tipping over backwards could result in damage to your wheelchair, serious injury or death. You should always use anti-tips until you have adapted to the new or adjusted wheelchair.**

⚠️ **Remove or turn the anti-tips up when ascending or descending curbs, obstacles and steps. If the anti-tips are left in the down position when ascending or descending curbs, obstacles and steps, they can become bent or broken. If the anti-tips are bent or broken, they will no longer prevent the wheelchair from tipping over backwards. Tipping over backwards could result in damage to your wheelchair, serious injury or death.**

⚠️ **Using your wheelchair on soft surfaces (including but not limited to sand, loose soil, grass and gravel), uneven grades and ramps can cause anti-tips to lose effectiveness resulting in the wheelchair tipping over backwards. Tipping over backwards could result in damage to your wheelchair, serious injury or death.**

⚠️ **Ki mobility recommends using two anti-tips on your wheelchair. Use of a single anti-tip increases the risk of tipping over backwards. Tipping over backwards could result in damage to your wheelchair, serious injury or death.**

Ki Mobility recommends using anti-tips with your wheelchair. Anti-tips help prevent your wheelchair from tipping over backwards. When adjusted properly, anti-tips provide a significant increase in rearward stability. Use of anti-tips does not guarantee your wheelchair will not tip over. Always remember to reinstall or turn the anti-tips to the down position after they were removed or turned to the up position.

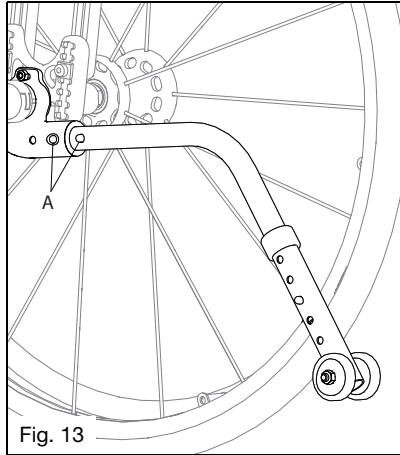


IV. WHEELCHAIR USE & CONFIGURATION

N. Anti-Tips (Continued)

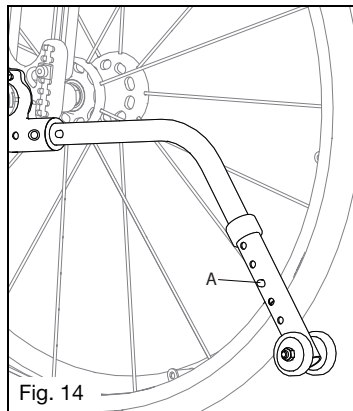
How to Install the Standard Anti-Tips (Fig. 13)

1. Press the rear anti-tip release pin (Fig. 13:A) on the anti-tip tube so both the release pins are drawn inside.
2. Insert the anti-tip tube into the receiver mounted on the camber tube.
3. Turn the anti-tip tube down until the release pin is positioned through the receiver mounting hole.
4. Insert the second anti-tip tube the same way.



How to Adjust the Wheel Extension Height (Fig. 14)

1. Press the anti-tip wheel release pin so the release pin (Fig. 14:A) is drawn inside.
2. Raise or lower the anti-tip to any of the predrilled holes.
3. Release the pin.
4. Adjust the second anti-tip tube wheel the same way. Both of the wheels should be at exactly the same height.

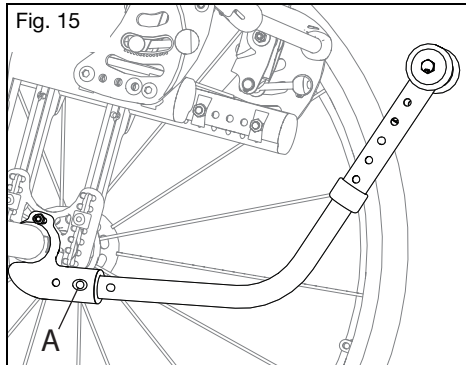


IV. WHEELCHAIR USE & CONFIGURATION

N. Anti-Tips (Continued)

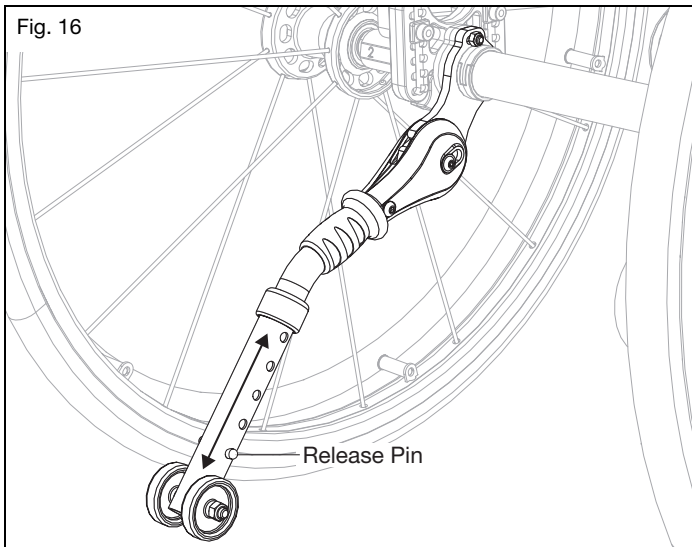
How to Turn the Anti-Tip Tubes Up (Fig. 15)

1. Press the rear anti-tip tube release pin (Fig. 15:A).
2. Hold the pin in and turn the anti-tip tube up.
3. Release the pin.
4. Repeat with the second anti-tip tube.
5. Return the anti-tip tubes to the down position after completing the maneuver.



How to Adjust the Length of the User Activated Anti-Tips (Fig. 16)

1. Press the anti-tip wheel release pin so the release pin is drawn inside.
2. Raise or lower the anti-tip to any of the predrilled holes.
3. Release the pin.
4. Adjust the second anti-tip tube wheel the same way. Both wheels should be the same height.

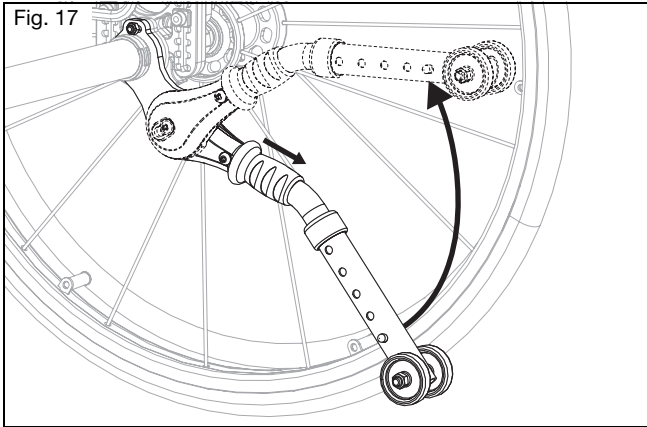


IV. WHEELCHAIR USE & CONFIGURATION

N. Anti-Tips (Continued)

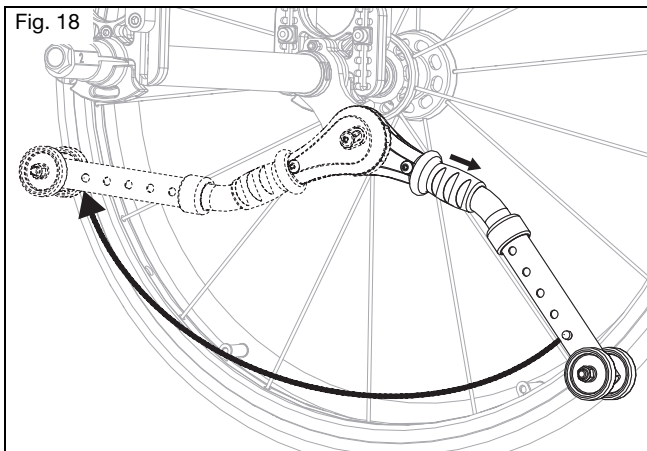
How to Put the User Activated Anti-Tips into the In Use and Up Positions (Fig. 17)

1. Grasp rubberized grip and pull down, disengaging anti-tip from the slot in receiver.
2. Rotate into the desired position. The anti-tip should stay in position once the rubberized grip has been released.
3. Adjust the second anti-tip tube wheel the same way. Both of the wheels should be at exactly the same height.



How to Put the User Activated Anti-Tips into the Transfer Position (Fig. 18)

1. Lift the wheelchair so the rear wheels are off the ground.
2. Grasp rubberized grip and pull down, disengaging anti-tip from the slot in receiver.
3. Rotate under the wheelchair into the transfer position. The anti-tip should stay in position once the rubberized grip has been released.
4. Adjust the second anti-tip tube the same way. Both anti-tips should be in the same position.



IV. WHEELCHAIR USE & CONFIGURATION

O. Upholstery Fabric

WARNING

WARNING: You must immediately replace seat and back upholstery that has worn through and shows signs of failing. If you fail to do so, the seat or back may fail which could cause a fall resulting in serious injury or death.

The seat sling material will weaken over time. The repeated action of transferring to your wheelchair will weaken your sling material quicker. Inspect your upholstery for fraying, thin spots or stretching of fabrics especially at edges and seams. This should be done monthly. Also, be aware that laundering or excess moisture will reduce flame retardation of the fabric. See the Maintenance and Care section for proper cleaning and maintenance notes. Contact your authorized supplier if you have concerns about your seat or back, or feel it needs to be replaced.

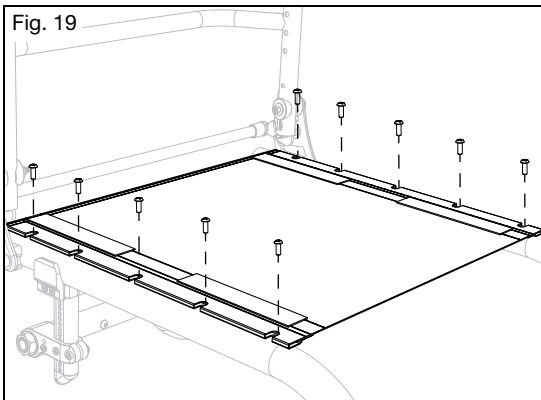
P. Seat Upholstery

WARNING

WARNING: You must immediately replace seat and back upholstery that has worn through and shows signs of failing. If you fail to do so, the seat or back may fail which could cause a fall resulting in serious injury or death.

How to Adjust the Seat Upholstery Tension

1. Reach under the seat upholstery to find the tension adjustable hook and loop flap. This should be located on the bottom, right side of the seat upholstery.
2. Loosen the Phillips head screws (Fig. 19) on the same side of the seat upholstery as the tension adjustable flap.
3. Separate the hook from loop on the tension adjustable flap by pulling it apart.
4. To tighten the seat upholstery, pull the tension adjustable flap towards the opposite side of the chair. To loosen the seat upholstery, apply pressure from the top of the seat upholstery towards the ground.
5. When the seat upholstery has reached the desired level of tension, press the hook and loop back together.
6. Retighten the Phillips head screws (Fig. 19).



IV. WHEELCHAIR USE & CONFIGURATION

P. Seat Upholstery (Continued)

How to Replace Seat Upholstery

1. Remove the 5mm Phillips head screws (Fig. 19) from the seat rails on each side of the frame and set aside.
2. Remove the seat upholstery from the seat rails.
3. Slide the new seat upholstery onto the seat rails.
4. Line up the holes in the seat rails with the threaded inserts in the frame.
5. Replace the 5mm Phillips head screws (Fig. 19) by partially threading into place. Once all screws have been started, go back and tighten to secure.

Q. Backrest



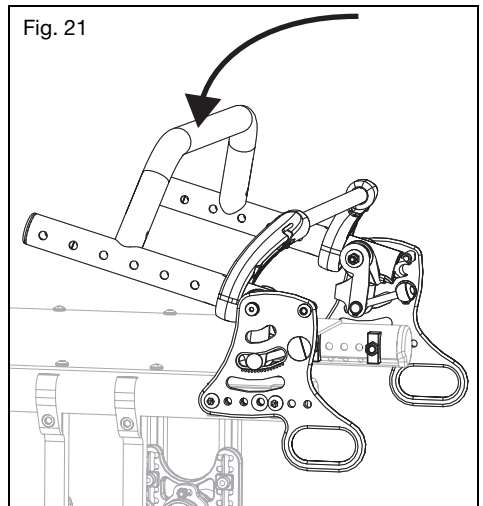
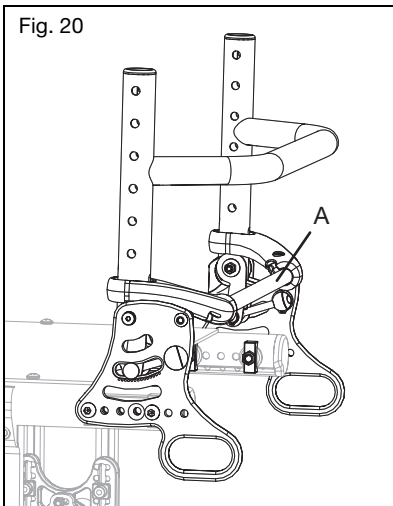
WARNING: Do not lift the wheelchair by the release bar (Fig. 20:A). Lifting the wheelchair by the release bar may cause parts to fail which could cause a fall resulting in serious injury or death.



Do not occupy or operate the chair when backrest is not latched. Doing so could in a fall which could result in serious injury or death.

How to Use the Folding Backrest

1. Lift the back release bar (Fig. 20:A), located behind the back frame, to release the latch and fold downwards towards the seat frame (Fig. 21). To latch back into place, pull the back release bar outward and the back will release and can be pushed into the upright position. The backrest will automatically latch onto the back plate.
2. Ensure a solid engagement onto the latches by pulling back on the backrest frame into the upright position.




IV. WHEELCHAIR USE & CONFIGURATION

Q. Backrest (Continued)

How to Use the Relaxed Position (Fig. 22)

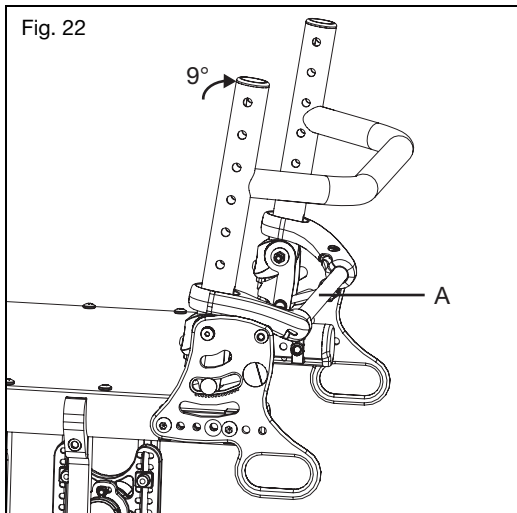
WARNING

WARNING: Remove your weight from the backrest when engaging the relax position. Failure to do so could result in a tip-over. A tip-over or fall could result in damage to your chair, serious injury or death.

 **The relax position affects the stability of the chair and increases your risk of tipping over. A tip-over could result in damage to your chair, serious injury or death.**

The backrest will open into an extended position referred to as the "Relaxed Position" which has two settings, 4 and 9 degrees.


1. Lean forward slightly to take the load off the latching pins and then pull up on the release bar (Fig. 22:A) and lean back into the relaxed position.
2. Reengage the back by pulling the back tubes forward until the back locks with a click.



R. Contact Surfaces

WARNING

WARNING: Handling of wheelchair surfaces with elevated temperatures can result in a potentially hazardous situation which, if not avoided, could result in injury.

 **Do not expose the chair and components to any extreme cold. Extremely cold metal surfaces may result in skin freezing to the surface and resulting in skin damage.**

Be aware that prolonged exposure to direct sunlight or other sources of radiant heat may increase the temperature of surfaces on your wheelchair above recommended limits estimated by standards.

Caretakers should assess patients for adverse reactions on the skin from contact surfaces such as redness, swelling, irritation sensitization, allergy, immune response or other reactions.

IV. WHEELCHAIR USE & CONFIGURATION

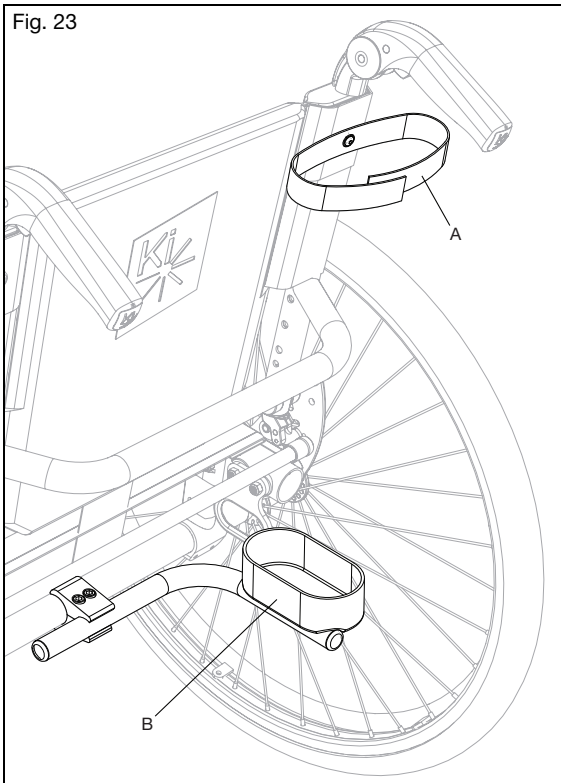
S. Cane and Crutch Holder

⚠️ WARNING ⚠️

WARNING: Always remove any items temporarily attached to the wheelchair while in a motor vehicle. Leaving items attached and not storing them securely and separately in a motor vehicle could result in these items becoming dangerous projectiles in the event of a sudden or abrupt change in speed or direction. Additionally, secure canes or crutches in a proper manner while riding your wheelchair. These items may become entangled in the wheelchair resulting in a fall or tip-over. A fall or tip-over may result in damage to your chair or in serious injury or death.

How to Use Cane or Crutch Holder

1. Place narrow end of cane or crutch in the bottom receiving cup (Fig. 23:B).
2. Use the hook and loop fastener (Fig. 23:A) to secure the cane or crutch to the upper back cane. Confirm the canes or crutches will stay securely in place, both vertically and horizontally, when the wheelchair is in motion.



V. MAINTENANCE AND CARE

A. Maintenance Table

Regular and routine maintenance will extend the life of your wheelchair while improving its performance. Wheelchair repairs, the replacement of parts and any maintenance check that you are not comfortable performing should be done by an authorized supplier. Only use Ki Mobility approved parts when replacing components. Contact your Authorized Service Representative (Dealer locator can be found on the Ki Mobility website) for parts information, identification, ordering and additional technical information or instruction. Most components are illustrated in "Ki Parts" on the Ki Mobility website.

Common tools to perform user authorized maintenance include: Tire pressure gauge, open end metric wrenches and metric allen wrenches.



WARNING: Lack of maintenance could result in adverse events including loss of support or control which could result in serious injury or death.



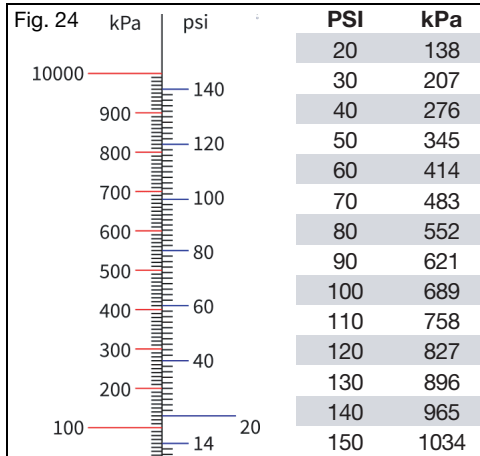
CAUTION: Do not use petroleum-based solvents, degreasers or dewatering agents (including but not limited to automotive cleaners, alcohols or WD-40). Damage to components, bearings or finishes may occur.

Check	Weekly	Monthly	Annually
Check the tire inflation levels and inflate as needed. The correct inflation levels are found on the tire. (See pressure conversion table below if required - Fig. 24)	✓		
Check wheel lock engagement and disengagement. Tire pressure changes and tire wear will require the wheel locks to be adjusted. Wheel lock adjustment instructions can be found in the Wheel Locks section of this manual.	✓		
Check the axle sleeves to ensure the axle sleeve nuts are tight.	✓		
Check that quick release axles engage and disengage properly.	✓		
Check that caster wheels, anti-tip wheels and rear wheels spin freely. Cleaning or replacement parts may be needed if there are any issues.	✓		
Clean area around the caster housing and bearings. This is a common location for hair build up.	✓		
Clean your wheelchair. See the Cleaning section in this manual for instructions.	✓		
Check the rear tires, anti-tip wheels and the caster wheels for wear spots or damage. Replace immediately if needed.	✓		
Check handrims to ensure they are secure and not damaged.	✓		
Check that the hand grips do not rotate or pull off. Replace if needed.	✓		
Check armrest receivers for loose or missing fasteners and check they are secure, adjusted properly and maintain position.	✓		
Check that anti-tips are level and functional.	✓		
Inspect the frame(s) and anti-tips for deformities, defects, cracks, dimples or bends. These could be signs of fatigue in the wheelchair which could result in a failure. Discontinue use of the wheelchair immediately and contact an authorized supplier.			✓
Check upholstery for signs of wear, fraying or holes. Replace upholstery immediately if needed.		✓	
Check arm pads, cushions and back rest for damage, rips or tears.		✓	
Check wheels for any loose, broke or bent spokes. Replace immediately if needed.		✓	
Check that all fasteners are tight. Unless otherwise noted, fasteners should be tightened to 40 in./lbs (4.51 N*m).		✓	
Verify the wheelchair rolls easily and straight.		✓	
Have the wheelchair checked and adjusted by a qualified technician at your authorized supplier.			✓

V. MAINTENANCE AND CARE

A. Maintenance Table (Continued)

Pressure Conversion Table



B. Cleaning

⚠ CAUTION ⚠

CAUTION: Washing upholstered components containing flame retardants, as indicated on the labeling of the upholstery, may reduce the flame retardants' efficacy over time. This may increase the risk of ignition when exposed to open flame or other ignition sources, which may increase the risk of injury.

Axles, Wheels, Tires and Moving Parts:

1. Clean around the axles and wheels weekly with a damp rag.
2. Hair and lint will lodge in and around the caster housing and rear wheel axles. Remove with a stiff brush or pick. Take care not to damage bearing seals.

Painted Surfaces

1. Hand wash using a cloth and mild detergent.
2. Dry using a clean cloth or allow wheelchair to air dry.
3. Nonabrasive wax may be used to help preserve painted surfaces.

Upholstery:

1. Hand wash using a cloth and mild detergent.
2. Allow upholstery to air dry. **DO NOT** machine dry.

Plastic Components

1. Hand wash using a cloth and mild detergent.
2. Do not use solvents or aggressive cleaners as they may damage plastic components.

Sanitizing

1. Disinfect surfaces with over the counter disinfecting sanitizer of at least 70% alcohol or wipes. Do not soak or allow pooling of cleaning solutions.
2. Allow sanitizer to remain on surface for at least 15 minutes and remove with aseptic cloth.

V. MAINTENANCE AND CARE

C. Storage

1. When not in use, keep your chair in a clean, dry area. Failure to do so may result in your chair rusting and/or corroding.
2. If your chair has been in storage for more than two months, it should be serviced and inspected by an authorized supplier before use.

D. Disposal

Specific waste disposal or recycling regulations may be in force locally and these should be taken into consideration when disposal arrangements are made. This may include the cleaning or de-contamination of the wheelchair before disposal.

If recycling of materials is a requirement, please refer to the following list of general materials used in the components of the wheelchair:

- Aluminum - Frame, caster fork, caster mount, bearing housing, camber tube assembly, backrest mount plates, backrest frame, backrest release bar, push handles, footrest tubes, footplate, seat rails, handrim and wheel rim.
- Steel - Fasteners, QR axles, caster stems, backrest release latch, wheel spokes, bearings and axle sleeve.
- Plastic - Rear wheels, caster tires, push handle grips, armrest pads and tube plugs.
- Upholstery - Woven polyester fabric and polyurethane foam.

If recycling of materials is desired or a requirement, such as per Directive 2012/19/EU, WEEE (Waste Electrical and Electronic Equipment) in Europe, both REAC and Mascot are compliant to WEEE and provide guidance on recycling and disposal. Proper dismantling is necessary to achieve a high proportion of reuse or recycle. Care to use proper tools and protective measures in handling are required to avoid contact with sharp edges.

Plastics marked with recycling symbols and thermoplastic parts can be recycled. Aluminum, copper and steel parts, including fasteners, may be recycled. Cables, batteries and PCB are to be disposed separately per local requirements.

Return your chair and accessories to your authorized supplier for proper disposal if you are not comfortable or able to dispose of your wheelchair properly.

VI. TROUBLESHOOTING

A. Symptoms and Solutions

For optimum performance, your wheelchair needs to be adjusted occasionally. The following is a list of potential symptoms you may encounter over the life of your wheelchair and the suggested solutions for each symptom. For best results when troubleshooting, try one solution at a time before proceeding to a second solution. If symptoms are not relieved or you are not confident in performing the solution, it is recommended to take the wheelchair to an authorized service center for repair.

Solutions:

A - Self Correct if capable or contact Authorized Distributor

B - Contact Authorized Distributor

		Symptoms							
		Chair pulls to one side	Looseness in chair	Difficulty turning	Caster Float	Caster Flutter	Squeaking, clicking or rattling	Wobbling	
Solutions	A	Ensure all tire pressures are correct and equal.	X		X	X			X
	A	Check to make sure all fasteners are tightened appropriately, tighten if necessary.	X	X	X	X	X	X	X
	B	Tighten spokes (if present).		X				X	X
	A	Check to make sure casters are contacting the ground and float is not present.	X		X		X		
	B	Optimize CG setting.			X		X		
	A	Check for interference at rear wheel and front casters.	X		X			X	X
	A	Lubricate w/Teflon based lubricant between frame connections and mating parts in suspect areas.						X	
	A	Remove caster/bearing debris.	X		X		X		X

VII. WARRANTY

Ki Mobility warrants the frame and quick-release axles of this wheelchair against defects in materials and workmanship for the life of the original purchaser. All other Ki Mobility-made parts and components of this wheelchair are warranted against defects in materials and workmanship for one year from the date of first consumer purchase.

The expected life of the frame is five years.

Limitations to the Warranty

1. We do not warrant:
 - a. Wear items: Upholstery, tires, armrest pads, tubes, armrests and push-handle grips.
 - b. Damage resulting from neglect, misuse or from improper installation or repair.
 - c. Damage from exceeding weight limit.
2. This warranty is VOID if the original chair serial number tag is removed or altered.
3. This warranty is VOID if the original chair has been modified from its original condition and it is determined the modification resulted in failure.
4. This warranty applies in North America only. Check with your supplier to find out if international warranties apply.

Ki Mobility's Responsibility

Ki Mobility's only liability is to replace or repair, at our discretion, the covered parts. There are no other remedies, expressed or implied.

Your Responsibility

- a. Notify Ki Mobility, via an authorized supplier, prior to the end of the warranty period and get a return authorization (RA) for the return or repair of the covered parts.
- b. Have the supplier send the authorized return, freight pre-paid, to:
Ki Mobility
5201 Woodward Drive
Stevens Point, WI 54481
- c. Pay any charges for labor to repair or install parts.

VIII. SPECIFICATION SHEET - ROGUE 2

Manufacturer: Ki Mobility	Maximum Occupant Mass: 125 kg, 275 lb
Address: 5201 Woodward Dr., Stevens Point, WI 54481	Occupant Mass Group (I, II or III): III
Model: Rogue 2	

Disclosure Information (ISO)								
Standard Reference	Measurement	Fixed or minimum value	Maximum value, if relevant	Standard Reference	Measurement	Dim. No.	Fixed or minimum value	Maximum value, if relevant
ISO 7176-5 8.2	Overall length with leg rest (Std or SRC)	838 mm 33 in	- mm - in	ISO 7176-1 11	Did anti-tip device prevent chair from tipping over?			Yes
ISO 7176-5 8.2	Overall length with leg rest (MDC/MAC)	- mm - in	- mm - in	ISO 7176-3 7.2	Max Slope Uphill/Downhill	N/A	>8.5°	- °
ISO 7176-5 8.3	Overall width	673 mm 26.5 in	- mm - in	ISO 7176-3 6b	Brake Operating Force	N/A	53 N 12.0 lb	- N - lb
ISO 7176-5 8.4	Handgrip Height (SRC/MDC)	1029 mm 42 in	- mm - in	ISO 7176-30 5.10	Lever operating force (tilt/recline)	N/A	- N - lb	- N - lb
ISO 7176-5 8.5	Folded Length (SRC/MDC)	812 mm 32 in	- mm - in	ISO 7176-30 8	Reclining back adjustment force	N/A	- N - lb	- N - lb
ISO 7176-5 8.6	Folded Width (SRC/MDC)	673 mm 26.5 in	- mm - in	ISO 7176-7 7.3.2	Seat plane angle	(1)	3.8°	- °
ISO 7176-5 8.7	Folded Height (SRC/MDC)	660 mm 26 in	- mm - in	ISO 7176-7 7.3.3	Effective seat depth	(2)	432 mm 17.0 in	- mm - in
ISO 7176-5 8.8	Rising	25 mm 1 in	- mm - in	ISO 7176-7 7.3.5	Effective seat width	(4)	508 mm 20.0 in	- mm - in
ISO 7176-5 8.9	Total Mass	13.6 kg 30 lb	- kg - lb	ISO 7176-7 7.3.6	Seat surface height at front	(5)	425 mm 16.7 in	- mm - in
ISO 7176-5 8.10	Mass of the heaviest part	8.8 kg 19.5 lb	- kg - lb	ISO 7176-7 7.3.7	Backrest angle	(6)	10°	- °
ISO 7176-5 8.13	Turning Radius (SRC/MDC)	660 mm 26 in	- mm - in	ISO 7176-7 7.3.8	Backrest Height	(7)	408 mm 20.0 in	- mm - in
ISO 7176-5 8.15	Required width of angled corridor (SRC/MDC)	787 mm 31 in	- mm - in	ISO 7176-7 7.3.12	Footrest to seat distance	(11)	432 mm 17.0 in	- mm - in
ISO 7176-5 8.16	Required doorway entry depth (SRC/MDC)	922 mm 36 in	- mm - in	ISO 7176-7 7.3.16	Leg to seat surface angle	(15)	110°	- °
ISO 7176-5 8.17	Required corridor width for side opening (SRC/MDC)	800 mm 31.5 in	- mm - in	ISO 7176-7 7.3.17	Armrest to seat distance	(16)	254 mm 10.0 in	- mm - in
ISO 7176-1 8	Static stability downhill	20.8°	21°	ISO 7176-7 7.3.18	Front armrest to backrest distance	(17)	356 mm 14.0 in	- mm - in
ISO 7176-1 9	Static stability uphill	7.6°	19.1°	ISO 7176-7 7.3.23	Front location of armrest structure	(22)	432 mm 17.0 in	- mm - in
ISO 7176-1 10	Static stability sideways	15.3°	20°	ISO 7176-7 7.3.24	Handrim diameter	(23)	508 mm 20.0 in	- mm - in
ISO 7176-1 11	Static stability with anti-tips	14.4°	- °	ISO 7176-7 7.3.26	Horizontal location of axle	(25)	76 mm 3.0 in	- mm - in

This wheelchair conforms to the following standards:	Yes No N/A
a) Requirements & test methods for static, impact and fatigue strengths (ISO 7176-8 and ISO 7176-30 as applicable)	X
b) Requirements for resistance to ignition in accordance with ISO 7176-16	X

See General Warnings section of manual for further information on flammability.

ROGUE 2

MANUAL DE INSTRUCCIONES Y GARANTÍA



2023-08-21

I. INTRODUCCION

¡Gracias por comprar una silla de ruedas Ki Mobility!



ADVERTENCIA

ADVERTENCIA: No use esta silla de ruedas sin antes leer todo este manual. Usar la silla de ruedas sin leer primero el presente manual por completo podría ocasionar lesiones graves al usuario o a su asistente.

Ki Mobility aconseja capacitarse con un profesional de tecnologías asistivas (ATP) u otro profesional clínico o técnico competente en la seguridad de esta silla antes de su uso.

Si tiene alguna pregunta o inquietud sobre cualquier aspecto de esta silla de ruedas, este manual o el servicio prestado, no dude en ponerse en contacto con su proveedor autorizado, un representante autorizado o Ki Mobility. Puede comunicarse con Ki Mobility llamando al:

(1)715-254-0991



Ki Mobility
5201 Woodward Drive
Stevens Point, WI 54481
U.S.A



www.kimobility.com (Incluye localizador de distribuidores y acceso a información impresa)

O a través de nuestro representante autorizado de la UE:



Etac Supply Center AB
Långgatan 12
33233 Anderstorp
Sweden

O a través de nuestra persona responsable del Reino Unido:



Etac Ltd
Unit 60, Hartlebury Trading
Estate, Hartlebury
Kidderminster, DY10 4JD

II. CONTENIDO

I. INTRODUCCION

II. CONTENIDO

III. AVISO - LEA ANTES DE USAR

A.	Uso Previsto	45
B.	Indicaciones de uso	45
C.	Su seguridad.....	45
D.	Palabras de aviso.....	46
E.	Identificación del número de serie	46
F.	Glosario de símbolos.....	47
G.	Advertencias y precauciones generales.....	48
H.	Cinturones o arneses de posicionamiento	51
I.	Cómo desplazarse en su silla de ruedas	51
J.	Sistema a motor externo.....	53
K.	Su silla de ruedas y el medio ambiente.....	54
L.	Modificar su silla de ruedas	54
M.	Estabilidad de la silla de ruedas.....	54
N.	Asientos postventa.....	56

IV. USO Y CONFIGURACIÓN DE LA SILLA DE RUEDAS

A.	Cordones, Escalones y Peldaños	57
B.	Transferirse	58
C.	Uso en tránsito.....	58
D.	Uso del cojín	63
E.	Transporte de una silla de ruedas desocupada	63
F.	Su Rogue 2 y sus partes	64
G.	Brazo en T de altura regulable.....	65
H.	Apoyabrazos abatibles swing away.....	66
I.	Ruedas posteriores	67
J.	Ajuste del apoyapiés	68
K.	Apoyapiés de ángulo regulable.....	68
L.	Apoyapiés ajustable de ángulo híbrido	69
M.	Seguros de las ruedas	70
N.	Antivuelco	71
O.	Tapizado	75
P.	Tapizado del asiento	75
Q.	Espaldar.....	76
R.	Temperatura de la superficie	77
S.	Soporte para bastón y muletas	78

V. MANUTENCIÓN Y CUIDADO

A.	Tabla de manutención.....	79
B.	Limpieza	80
C.	Almacenamiento	81
D.	Eliminación.....	81

VI. RESOLUCIÓN DE PROBLEMAS

A.	Problemas y soluciones	82
----	------------------------------	----

VII. GARANTÍA

VIII. ESPECIFICACIONES - ROGUE 2

III. AVISO - LEA ANTES DE USAR

A. Uso Previsto

La silla de ruedas manual Rogue 2 de Ki Mobility se ha creado para ofrecer movilidad a personas que están limitadas a una posición sentada.

B. Indicaciones de uso

La silla de ruedas manual Rogue 2 de Ki Mobility es un dispositivo con ruedas de accionamiento manual creado para ofrecer movilidad a adultos limitados a una posición sentada.

C. Su seguridad

AVISO: Comuníquese con Ki Mobility para obtener información sobre retiros y avisos de seguridad.

Cualquier incidente o lesión relacionados con el uso de la silla de ruedas o sus accesorios debe informarse de inmediato si dicho incidente ha conducido, directa o indirectamente, a un deterioro de salud grave, o muerte, del usuario o de otra persona. Informe cualquier evento grave o lesión a Ki Mobility y, si así lo exige la normativa local, a la autoridad sanitaria competente donde reside legalmente el usuario u otra persona.

No use esta silla de ruedas sin antes leer todo este manual. ANTES de sentarse en esta silla de ruedas, un profesional de tecnologías asistivas (ATP) u otro profesional clínico o técnico competente debe capacitarlo en el uso seguro de la misma. Ki Mobility fabrica muchas sillas de ruedas diferentes que pueden satisfacer sus necesidades. El mejor método comprobado para elegir una silla de ruedas es consultar un profesional de tecnologías asistivas u otro profesional técnico competente y un profesional clínico experimentado, como un fisioterapeuta, un terapeuta ocupacional o un médico. La elección definitiva del tipo de silla de ruedas, sus opciones de configuración y su regulación está exclusivamente a cargo suyo y de sus profesionales técnicos y clínicos. Las opciones que elija, la configuración y la regulación de la silla de ruedas influyen directamente sobre su rendimiento, estabilidad y capacidad de satisfacer sus necesidades. Los factores a tener en cuenta que influyen sobre su seguridad y estabilidad son:

- a. Sus habilidades y capacidades personales, incluyendo la fuerza, equilibrio y coordinación.
- b. Los tipos de peligros y obstáculos que puede encontrar durante su día.
- c. Las dimensiones, opciones y configuración específicas. En particular la altura y la profundidad del asiento, la angulación del asiento y espaldar, el tamaño y la posición de las ruedas posteriores y de los casters.

III. AVISO - LEA ANTES DE USAR

D. Palabras de aviso

En este manual encontrará palabras que se denominan de “aviso”. Estas palabras se utilizan para identificar y transmitir la gravedad de los riesgos variables. Antes de usar esta silla de ruedas, usted y toda persona que pueda ayudarle deben leer este manual completo. Preste atención a estas palabras de Aviso y tenga en cuenta toda nota, precaución o advertencia. Asegúrese de seguir todas las instrucciones y use su silla de ruedas de manera segura. La palabra de Aviso se refiere a un peligro o una práctica no segura que puede causar lesiones graves o la muerte a usted u otras personas. Las “Advertencias” se encuentran en tres categorías principales, de la siguiente manera:

NOTA - Nota indica una situación potencialmente peligrosa que, si no se evita, podría provocar una disminución en el rendimiento de la silla de ruedas o causar daños a la misma.



PRECAUCIÓN: Precaución indica una situación potencialmente peligrosa que, si no se evita, podría ocasionar daños a su silla de ruedas y lesiones a usted.

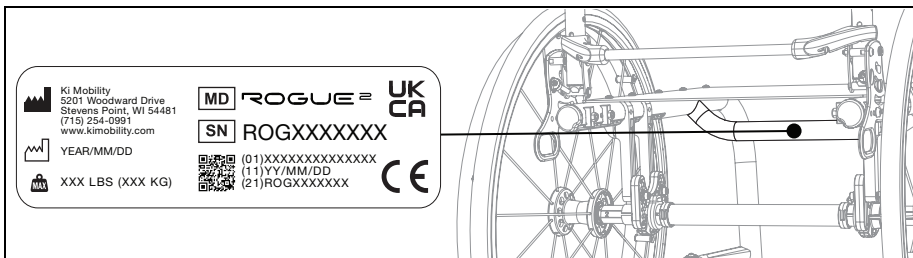


ADVERTENCIA: Advertencia indica una situación potencialmente peligrosa que, si no se evita, podría provocar lesiones graves o la muerte.

Estas palabras de Aviso se colocan a lo largo de todo el manual, donde sea apropiado para resaltar la situación de peligro. El capítulo F. contiene las situaciones peligrosas que se relacionan con el uso general de esta silla de ruedas.

E. Identificación del número de serie

La etiqueta del número de serie proporciona información importante sobre su silla de ruedas y se utiliza como el identificador único para su silla específica. La imagen a continuación ilustra dónde se halla el número de serie en su silla de ruedas.



III. AVISO - LEA ANTES DE USAR

F. Glosario de símbolos

SÍMBOLO	DEFINICIÓN
	Indica al fabricante del dispositivo médico.
	Fecha de fabricación (YEAR/MM/DD).
	Indica la necesidad de que el usuario consulte una instrucción por motivos de seguridad, tales como precauciones y advertencias. Si se presenta en el dispositivo médico o en su empaque, indica la necesidad de que el usuario consulte las indicaciones por motivos de seguridad, tales como precauciones y advertencias.
	Indica que el artículo es un dispositivo médico.
	Indica el número de serie del fabricante de modo que se pueda identificar un dispositivo médico específico.
	Indica al representante autorizado en la Comunidad Europea.
	Indica la declaración del fabricante de que el producto cumple los requisitos de las directivas de la CE aplicables.
	Indica la necesidad de que el usuario consulte las indicaciones de uso.
	Indica la necesidad de que el usuario consulte el sitio web indicado a fin de obtener instrucciones de uso en formato electrónico.
	Indica un sitio web donde los usuarios pueden obtener información adicional sobre el producto médico.
	Indica un límite máximo de peso especificado (lb/kg).
	Indica un punto de seguridad de tránsito.
	Indica un posible punto de pellizco.
	Indica la entidad que importa el dispositivo médico al lugar.
	Cumple con ANSI/RESNA WC-4 Sección 19 (WC19) e ISO 7176-19.
	Indica que no es para uso en tránsito.
	Indica la declaración del fabricante de que el producto cumple los requisitos de las directivas de la UKCA aplicables.











III. AVISO - LEA ANTES DE USAR

G. Advertencias y precauciones generales

ADVERTENCIA


	Estándar	Tránsito
Rogue 2	275 lbs (125 kg)	275 lbs (125 kg)


ADVERTENCIA: Los límites se refieren al peso total en libras del usuario más todos los artículos transportados. No exceda el límite de peso de la silla. Exceder el límite de peso puede dañar su silla o aumentar su riesgo de caerse o volcarse. Un vuelco o una caída pueden provocar lesiones graves o la muerte.

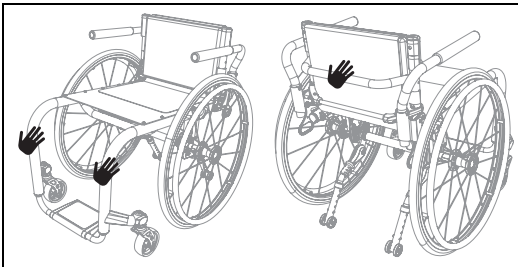
-  No use la silla para entrenamiento con pesas. El movimiento del peso adicional altera el centro de gravedad de la silla y aumenta el riesgo de volcar. Un vuelco puede provocar daños en la silla o lesiones graves o la muerte.
-  No cuelgue mochilas, bolsas u objetos pesados por arriba del centro de gravedad del ocupante. El movimiento del peso adicional altera el centro de gravedad de la silla y aumenta el riesgo de volcar. Un vuelco podría provocar lesiones graves o la muerte. Si es necesario transportar cargas adicionales, se recomienda utilizar soportes y bolsas debajo del asiento. Los objetos colgados de la silla de ruedas pueden causar inestabilidad, pueden impedir el acceso a sus componentes, enredarse en piezas móviles o causar un desgaste prematuro de los componentes, como el tapizado del espaldar y las manijas de empuje.
-  Mantenga los neumáticos inflados a la presión correcta. El uso de una silla sin neumáticos inflados adecuadamente puede afectar su estabilidad, lo que aumenta el riesgo de vuelco. Un vuelco puede provocar daños en la silla o lesiones graves o la muerte a usted u otros. La presión correcta del neumático se indica en la pared lateral del neumático. Si no está seguro, su proveedor de silla de ruedas puede determinar si sus neumáticos son inflables.
-  Evite rampas o pendientes con más de 9 grados de inclinación. Las pendientes pronunciadas aumentan el riesgo de caerse o volcarse. Un vuelco o caída puede provocar daños en la silla o lesiones graves o la muerte a usted u otros. No use la silla en rampas o pendientes con más de 9 grados de inclinación (aproximadamente 2 pulgadas de subida/bajada por pie lineal): ni para arriba/abajo ni transversal.
-  Evite las superficies inclinadas resbaladizas o cubiertas de hielo, aceite o agua. Circular en pendientes resbaladizas puede imposibilitar el control de la silla de ruedas y provocar un vuelco o una caída. Un vuelco o caída puede provocar daños en la silla o lesiones graves o la muerte.
-  Evite inclinarse sobre el costado o la parte posterior de su silla de ruedas para extender su alcance. Inclinarse sobre la silla podría cambiar su centro de gravedad, provocar inestabilidad y por consiguiente una caída o un vuelco. Un vuelco o caída puede provocar daños en la silla o lesiones graves o la muerte.
-  No levante la silla de ruedas por sus partes removibles mientras está ocupada. Levantar una silla de ruedas por partes removibles mientras está ocupada podría causar que el usuario se caiga o pierda el control. Una caída o pérdida de control puede provocar daños en la silla o lesiones graves o la muerte.
-  El material de embalaje debe mantenerse fuera del alcance de los niños. La manipulación inadecuada de los materiales de embalaje y el incumplimiento del deber de supervisar a los niños podría provocar asfixia y lesiones graves o la muerte.
-  Su silla de ruedas cumple con la norma ISO 7176-16 en cuanto a inflamabilidad. La resistencia a la ignición puede cambiar con el uso, el paso del tiempo o la limpieza. Se deben tomar precauciones para evitar las fuentes de ignición o la cercanía con materiales inflamables que puedan aumentar la capacidad de ignición, como el oxígeno y el alcohol. También tenga en cuenta que agregarle a la silla componentes, sistemas posturales, soportes o materiales puede alterar la inflamabilidad. Los cambios a la inflamabilidad pueden dar como resultado lesiones graves o la muerte.
-  En caso de derrames corrosivos o exposición a riesgos biológicos, elimine las sustancias contaminantes de inmediato o pueden ocurrir lesiones graves o la muerte. Consulte las instrucciones del capítulo de Limpieza de este manual.


III. AVISO - LEA ANTES DE USAR

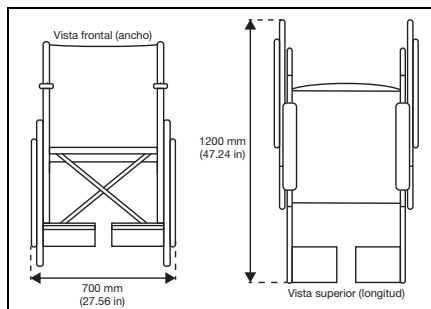
G. Advertencias y precauciones generales (continuación)

 Cualquier parte del cuerpo que presione contra el chasis de la silla de ruedas u otros elementos de la misma puede deformar la piel y generar un punto de alta compresión. Éstos son daños para el tejido bajo estrés y pueden hacerle desarrollar una lesión por compresión o laceración de la piel. Si su piel enrojece o presenta cualquier otro síntoma de lesión por compresión o laceración de la piel, suspenda el uso de este producto de inmediato y consulte a su médico. Seguir usando la silla de ruedas después de que se presenten cambios en la piel puede dar como resultado lesiones graves o la muerte.

 Para mover y alzar la silla de ruedas sin el ocupante de forma segura, se recomienda plegar el espaldar (si lo permite la configuración) y agarrar en los puntos del chasis que se indican en el diagrama. Tenga cuidado de no sujetar donde los componentes son extraíbles o moverlos durante el uso de la silla para evitar lesiones y falla del componente.



 La dimensión total de las sillas de ruedas varía según su configuración específica, como la profundidad y el ancho del asiento, el tipo de ruedas y neumáticos y el agregado de accesorios de postventa no suministrados por Ki Mobility. Si la dimensión total de su silla de ruedas en particular supera aquella recomendada en la imagen a continuación, puede verse limitado el acceso a vías de escape de emergencia. No poder acceder a una vía de escape de emergencia puede dar como resultado lesiones graves o la muerte.



PRECAUCIÓN

PRECAUCIÓN: Evite ajustar demasiado los pernos y las piezas que sujetan los componentes al chasis. Apretar demasiado puede dañar la silla, lo que afecta su durabilidad y rendimiento. El daño a la silla puede provocar lesiones al usuario.

NOTA: El capítulo de mantenimiento del presente manual explica cómo ajustar pernos y sujetadores. Si no está seguro de cómo apretar correctamente los pernos o las piezas o carece de las herramientas necesarias, consulte a su proveedor autorizado.

III. AVISO - LEA ANTES DE USAR

G. Advertencias y precauciones generales (continuación)

ADVERTENCIA

ADVERTENCIA: Usar el apoyapiés sin calzado protector, como los zapatos, puede provocar lesiones graves en los pies.

Las sillas de ruedas Ki Mobility vienen con múltiples opciones de apoyapiés. Son regulables y están diseñados para facilitar un adecuado apoyo y posición de sus pies. Deben usarse con calzado protector para los pies, como los zapatos. En general, las bandejas apoyapiés en sí pueden ser más pequeñas que sus pies y no los protegen de lesiones al chocar contra paredes, puertas u otros elementos duros que pueda encontrar al usar la silla de ruedas. La superficie de las bandejas puede tener rugosidades o coberturas que evitan que el pie se deslice, algunas vienen con ranuras para facilitar la fijación de otros soportes para los pies. Tales rugosidades o complementos de fijación no están diseñados para el contacto con los pies desnudos y pueden provocar abrasión en la piel o puntos de presión que afecten la integridad del tejido. Se pueden agregar soportes extra, como almohadillas o una caja para los pies, a fin de protegerlos en ausencia de calzado protector como los zapatos. Si no está seguro de si sus apoyapiés son adecuados para usted, consulte un ATP u otro profesional técnico competente, y un profesional clínico experimentado, como un fisioterapeuta, terapeuta ocupacional o médico a fin de determinar qué apoyapiés responderá mejor a sus necesidades. Si tiene laceraciones en la piel u otros problemas de integridad de los tejidos suspenda el uso y recurra a un profesional clínico capacitado en el cuidado de la piel, como un médico, enfermero o terapeuta. Siempre siga los consejos de los profesionales que se ocupan de su piel y use los apósitos o revestimientos recomendados para protegerla.

ADVERTENCIA

ADVERTENCIA: Usar un apoyo RLS sin la protección adecuada puede provocar lesiones graves en su extremidad residual.

Si ha tenido una amputación o deformación en una o ambas extremidades inferiores, es posible que su silla de ruedas venga con uno o dos apoyos RLS. Estos están diseñados para usarse con extremidades residuales adecuadamente protegidas. Pueden ser intencionalmente más cortos que ellas y no las protegen de lesiones por chocar contra paredes, puertas u otros elementos duros que pueda encontrar durante el uso de la silla de ruedas. Las extremidades residuales pueden tener problemas de integridad tisular por cizallamiento y abrasión. Protéjalas en todo momento con los debidos revestimientos para reducir tal riesgo. Si tiene cortes en la piel u otros problemas de integridad de los tejidos suspenda el uso y recurra a un profesional clínico capacitado en el cuidado de la piel, como un médico, enfermero o terapeuta. Siempre siga los consejos de los profesionales que se ocupan de su piel y use los apósitos o revestimientos recomendados para protegerla.

ADVERTENCIA

ADVERTENCIA: En función de su tipo de piel y otras afecciones relacionadas con su discapacidad, puede desarrollar irritaciones o abrasiones por contacto prolongado o frotamiento contra las superficies de su silla de ruedas. La irritación y las abrasiones pueden provocar complicaciones adicionales debidas a cortes en la piel que pueden ser graves.

Ki Mobility recomienda usar ropa u otros revestimientos protectores sobre la piel que descansa o se frota contra los componentes o el chasis de la silla de ruedas. Si tiene cortes en la piel u otros problemas de integridad de los tejidos suspenda el uso y recurra a un profesional clínico capacitado en el cuidado de la piel, como un médico, enfermero o terapeuta. Siempre siga los consejos de los profesionales que se ocupan de su piel y use los apósitos o revestimientos recomendados para protegerla.

III. AVISO - LEA ANTES DE USAR

H. Cinturones o arneses de posicionamiento

ADVERTENCIA

ADVERTENCIA: El uso inadecuado de los cinturones de posicionamiento puede hacer que el usuario se deslice por debajo de ellos en la silla de ruedas. Si esto sucediera, se puede producir una compresión del pecho o asfixia debido a la presión del cinturón. Si esto ocurre, la respiración del usuario puede verse obstaculizada y causar lesiones graves o la muerte.



El uso incorrecto de los cinturones de posicionamiento puede hacer que partes del cuerpo queden trabadas en ellos, limitando la movilidad y el movimiento provocando lesiones graves o la muerte.

Ki Mobility recomienda el uso de cinturones de posicionamiento pélvico. Los cinturones de posicionamiento pélvico pueden reducir el riesgo de caerse de su silla de ruedas.

Los cinturones de posicionamiento, como los cinturones de posicionamiento pélvico y los arneses y correas del tronco anterior, están diseñados para ayudar, retener y mantener el posicionamiento y la postura adecuados en la silla de ruedas.

- Asegúrese de que el usuario no se deslice debajo del cinturón de posicionamiento en el asiento de la silla de ruedas.
- El cinturón de posicionamiento debe tener un ajuste perfecto, lo suficientemente apretado como para mantener su posición, pero no tanto como para restringir la respiración. Debe haber una mano abierta entre el cinturón y el usuario.
- El uso adecuado de cojines puede contribuir a la estabilidad pélvica y reducir el deslizamiento.
- NUNCA use cinturones de posicionamiento:
 - a. Como restricción. Una restricción requiere la orden de un médico.
 - i. A menos que pueda quitarse los cinturones fácilmente en caso de emergencia. Si no puede hacer esto, consulte con su proveedor de atención médica para conocer otras opciones que le ayuden con su postura.
 - b. En un usuario inconsciente o agitado.
 - c. Como sujeción del ocupante o cinturón de seguridad en un vehículo automotor. El cinturón de posicionamiento no está diseñado para reemplazar el cinturón de seguridad que está sujeto a la carrocería de un vehículo, tal como se requiere para un cinturón de seguridad eficaz. En una frenada, la fuerza de la misma arrojaría el usuario hacia adelante. Los cinturones de las sillas de ruedas no pueden evitarlo, y en consecuencia esos mismos cinturones o correas pueden provocar más lesiones. El capítulo Tránsito del presente manual brinda mayor información al respecto.











I. Cómo desplazarse en su silla de ruedas

ADVERTENCIA

ADVERTENCIA: Evite empujar o desplazarse con su silla de ruedas sobre superficies flojas, accidentadas, desiguales o resbaladizas (como hielo, arena, tierra suelta, césped, grava, baches, grietas y pavimentación rota). El uso en tales superficies podría hacer que la silla de ruedas pierda estabilidad y se incline inesperadamente y provoque una caída o pérdida de control. Una caída o pérdida de control puede provocar daños a su silla de ruedas, lesiones graves o la muerte.

III. AVISO - LEA ANTES DE USAR

I. Cómo desplazarse en su silla de ruedas (continuación)

-  Siempre mire hacia adelante para ver posibles obstáculos o cambios en el suelo que podrían hacer atascar los casters y frenar de golpe la silla de ruedas. Si no lo hace, la silla de ruedas podría volcarse inesperadamente y provocar una caída o pérdida de control. Una caída o pérdida de control puede provocar daños a su silla de ruedas, lesiones graves o la muerte.
-  Siempre mire hacia adelante para detectar objetos u obstáculos que la silla de ruedas podría golpear. Golpear un objeto u obstrucción podría hacer que su silla de ruedas vuelque inesperadamente y provoque una caída o pérdida de control. Una caída o pérdida de control puede provocar daños a su silla de ruedas, lesiones graves o la muerte. Además, golpear un objeto u obstáculo podría dañar su silla de ruedas. El riesgo de lesiones y daños a su silla de ruedas al golpear un objeto u obstáculo aumenta con la velocidad.
-  Usar su silla de ruedas en vías públicas es extremadamente peligroso y no se recomienda. Los usuarios de sillas de ruedas deben obedecer las reglas de tráfico peatonal. Consulte las leyes de tránsito de su propio lugar de residencia; algunos no permiten el uso de sillas de ruedas en las vías públicas.
-  El equilibrio del usuario se ve afectado por la pendiente de las superficies sobre las que circula. Con un menor equilibrio, su silla de ruedas será menos estable cuando esté en angulación. Esto se verifica más aún cuando se transita por una pendiente lateralmente. Trasladarse en su silla de ruedas en una pendiente podría hacer que vuelque inesperadamente o que el usuario pierda estabilidad, lo que provocaría una caída o pérdida de control. Una caída o pérdida de control puede provocar daños a su silla de ruedas, lesiones graves o la muerte.
-  Cuando use su silla de ruedas en áreas públicas o privadas (incluyendo, entre otros, cruces peatonales, aceras, vecindarios, estacionamientos y parques), esté alerta al peligro de vehículos automotores. Debido a su baja posición:
 - Cuando la iluminación sea escasa, aplique cinta reflectante en su ropa y silla de ruedas.
 - Si tiene el derecho de paso, siempre ceda el paso hasta que el conductor del vehículo automotor lo haya visto.
-  Tenga mucho cuidado al ir hacia atrás. Es posible que no pueda ver una obstrucción que podría provocar un vuelco. Un vuelco puede dañar su silla de ruedas, causar lesiones graves o la muerte.
-  Ki Mobility desaconseja balancearse sobre las ruedas posteriores con los casters levantados del suelo (también conocido como “caballito”). Es muy probable que se caiga o vuelque y podría provocar daños a su silla de ruedas, lesiones graves o la muerte. Si elige ignorar esta advertencia, no intente hacer un caballito a menos que haya sido capacitado por un profesional clínico o técnico. Siempre debe tener la ayuda de una persona capacitada y preparada para evitar que exceda su punto de inflexión.
-  No se traslade en escaleras mecánicas sentado en la silla de ruedas. El uso de una silla de ruedas en una escalera mecánica puede provocar una caída, un vuelco o la pérdida de control. Una caída, vuelco o pérdida de control puede provocar daños a su silla de ruedas, lesiones graves o la muerte.
-  Evite vestirse o desvestirse en su silla de ruedas. Vestirse o desvestirse en su silla de ruedas hace que su peso cambie. Por lo tanto, aumenta su riesgo de caerse o volcarse. Una caída o un vuelco pueden dañar su silla de ruedas, causar lesiones graves o la muerte.
-  Ki Mobility recomienda el uso de accesorios como aros para talón y pantorrilleras. Cuando se usan correctamente, los aros para talones y pantorrilleras pueden ayudar a evitar que piernas y pies se resbalen accidentalmente de la bandeja apoyapiés o del apoyapiés, lo que podría hacer trabar los pies en la silla de ruedas y sus componentes o golpear el suelo. Usar la silla de ruedas sin accesorios tales como aros para talones y pantorrilleras adecuadamente ajustadas puede provocar un potencial peligro que, si no se evita, podría generar lesiones.

III. AVISO - LEA ANTES DE USAR

I. Cómo desplazarse en su silla de ruedas (continuación)

Cuando use su silla de ruedas, siempre:

- Observe el área muy por delante de su silla de ruedas mientras conduce.
- Asegúrese de que las superficies sobre las que circule estén niveladas y sin obstáculos.
- Retire o cubra los dinteles de las puertas entre las habitaciones.
- Si su silla de ruedas tiene dispositivos antivuelco, asegúrese de que estén bloqueados en su lugar cuando utilice la silla de ruedas (Consulte IV, N. para el uso adecuado de los antivuelco).
- Mantenga ambas manos sobre los aros de las ruedas cuando pase sobre un obstáculo.
- Nunca empuje ni tire de un objeto para impulsar su silla de ruedas.
- Asegúrese de que no haya una caída en la parte inferior de rampas.
- Al subir una pendiente, incline el tronco ligeramente hacia adelante para evitar volcarse hacia atrás.
- Al bajar una pendiente, mantenga su tronco presionado firme hacia atrás para evitar volcarse hacia adelante.
- No intente superar obstáculos sin ayuda.
- Asegúrese de que toda rampa, pendiente o acera en las que intente desplazarse cumpla con las pautas de ADA (Ley de Estadounidenses con Discapacidades) o las pautas de accesibilidad equivalentes en su región.

Las pautas de la ADA y más información sobre diseño accesible están disponibles en: www.ada.gov

J. Sistema a motor externo



ADVERTENCIA: Asegúrese de que el fabricante haya validado y aprobado su sistema a motor para usarlo con la silla de ruedas Ki y su configuración. Emplear un sistema a motor externo no aprobado podría ocasionar un desperfecto mecánico de la silla de ruedas y hacerla caer. Una caída puede dañar su silla de ruedas, causar lesiones graves o la muerte.



Los sistemas a motor externo modifican la estabilidad y el desempeño de la silla de ruedas. Use siempre antivuelco con su sistema a motor. Si no lo hace, su silla de ruedas podría volcarse hacia atrás. Un vuelco hacia atrás puede dañar su silla de ruedas, causar lesiones graves o la muerte.



Siempre mire hacia adelante para detectar objetos u obstáculos que la silla de ruedas podría golpear. Los sistemas a motor externo cambian el desempeño de la silla de ruedas y aumentan la posibilidad de un vuelco inesperado cuando se golpea un objeto u obstáculo. Un vuelco inesperado podría resultar en una caída o pérdida de control. Una caída o pérdida de control puede provocar daños a su silla de ruedas. El riesgo de lesiones y daños a su silla de ruedas al golpear un objeto u obstáculo aumenta con la velocidad.


Ki Mobility desaconseja instalar sistemas a motor externo en cualquiera de las sillas de ruedas Ki Mobility. Las sillas de ruedas Ki Mobility no han sido diseñadas ni probadas por Ki Mobility como sillas de ruedas electrónicas. Si agrega un sistema a motor externo a una silla de ruedas Ki Mobility, asegúrese de que el fabricante del mismo haya validado y aprobado la combinación del sistema a motor externo con la silla de ruedas como segura y efectiva.


III. AVISO - LEA ANTES DE USAR

K. Su silla de ruedas y el medio ambiente

PRECAUCIÓN

PRECAUCIÓN: La exposición al agua o la humedad excesiva puede causar que el metal en la silla de ruedas se oxide o corroa y que la tela se rasgue. Seque su silla lo antes posible si se expone al agua.

 **NO UTILICE SU SILLA DE RUEDAS EN DUCHAS, PISCINAS O EN EL AGUA EN GENERAL.** Esto hará que su silla de ruedas se oxide o corroa y finalmente sufra desperfectos.

 No utilice su silla de ruedas en la arena. La arena puede entrar en los cojinetes de las ruedas y las piezas móviles. Esto causará daños y finalmente hará que la silla de ruedas falle.

L. Modificar su silla de ruedas


ADVERTENCIA


ADVERTENCIA: NADIE DEBE MODIFICAR ESTA SILLA DE RUEDAS, EXCEPTO AL AJUSTARLA DE ACUERDO CON ESTE MANUAL O AL AGREGAR LAS OPCIONES APROBADAS DE KI MOBILITY. NO EXISTEN OPCIONES APROBADAS QUE SIGNIFIQUEN TALADRAR O CORTAR EL CHASIS POR PARTE DE PERSONAS QUE NO SEAN TÉCNICOS CAPACITADOS DE KI MOBILITY. Su silla de ruedas fue diseñada y fabricada bajo estrictos controles de construcción. Una parte integral de este proceso es garantizar que los diversos componentes trabajen juntos correctamente; han sido probados según diversos estándares para garantizar la calidad y están aprobados para trabajar juntos. Póngase en contacto con un proveedor autorizado o Ki Mobility antes de agregar cualquier accesorio o componente no proporcionado por Ki Mobility. Las modificaciones u opciones no aprobadas pueden provocar caídas y causar lesiones graves o la muerte.


M. Estabilidad de la silla de ruedas

ADVERTENCIA

ADVERTENCIA: La estabilidad de la silla de ruedas puede alterarse cuando se transita sobre superficies flojas, accidentadas, desiguales (en subida o bajada) o resbaladizas (como hielo, arena, tierra suelta, césped, grava, baches, grietas y pavimentación rota). El uso en tales superficies podría hacer que la silla de ruedas se incline inesperadamente y provoque una caída o pérdida de control. Una caída o pérdida de control puede provocar daños a su silla de ruedas, lesiones graves o la muerte.

 Desplazar el peso sobre la silla de ruedas, agregarle cargas, transportar o extenderse para alcanzar objetos podría afectar la estabilidad de su silla. Por lo tanto, aumenta su riesgo de caerse o volcarse. Una caída o un vuelco pueden dañar su silla de ruedas, causar lesiones graves o la muerte.

 Evite vestirse o desvestirse en su silla de ruedas. Vestirse o desvestirse en su silla de ruedas hace que su peso cambie. Por lo tanto, aumenta su riesgo de caerse o volcarse. Una caída o un vuelco pueden dañar su silla de ruedas, causar lesiones graves o la muerte.

 Ki Mobility desaconseja balancearse sobre las ruedas posteriores con los casters levantados del suelo (también conocido como “caballito”). Es muy probable que se caiga o vuelque y podría provocar daños a su silla de ruedas, lesiones graves o la muerte. Si elige ignorar esta advertencia, no intente hacer un caballito a menos que haya sido capacitado por un profesional clínico o técnico. Siempre debe tener la ayuda de una persona capacitada y preparada para evitar que exceda su punto de inflexión.

III. AVISO - LEA ANTES DE USAR

M. Estabilidad de la silla de ruedas (continuación)



ADVERTENCIA: Si la silla de ruedas está equipada con un sistema para variar el ángulo de inclinación del chasis del asiento, antes de usarla cerciórese de que sea estable en todo el rango de posibles cambios de ángulo. Si la silla de ruedas no es estable en todo el rango de ángulos de inclinación, es inminente una caída o un vuelco. Una caída o un vuelco pueden dañar su silla de ruedas, causar lesiones graves o la muerte.

Estrategias para minimizar el riesgo de caerse:

- Asegúrese de que los antivuelco estén en la posición correcta (Consulte IV, N. para conocer el uso adecuado de los antivuelco).
- Inclínese hacia adelante al empujar para subir una pendiente.
- Inclínese hacia atrás al empujar para bajar una pendiente.
- Tenga un asistente detrás de usted para brindarle ayuda.
- El seteo de la silla de ruedas debe hacerlo sólo un técnico autorizado.
- Use siempre los accesorios proporcionados.
- La silla de ruedas debe ser regulada por un técnico autorizado siempre que se produzcan cambios en su peso o en el modo en que se sienta.
- Use siempre dispositivos antivuelco donde sea apropiado (Consulte IV, N. para conocer el uso adecuado de los antivuelco).

Para garantizar la estabilidad adecuada de su silla de ruedas, debe asegurarse de que el centro de gravedad y la base de apoyo de la silla de ruedas sean correctos para su equilibrio y habilidades. Muchos factores pueden afectar estos dos elementos:

- Altura del asiento
- Profundidad del asiento
- Angulación del espaldar
- Angulación del asiento
- Tamaño y posición de las ruedas posteriores
- Tamaño y posición de los casters
- Componentes del conjunto del asiento
- Posición de inclinación (si corresponde)

Hay acciones adicionales que pueden tener efectos adversos sobre la estabilidad de su silla de ruedas. Contacte a un profesional de tecnologías asistivas o a un profesional clínico familiarizado con sus necesidades y capacidades para determinar qué puede hacer de manera segura a la vez que conserva la estabilidad de su silla de ruedas.

III. AVISO - LEA ANTES DE USAR

N. Asientos postventa

ADVERTENCIA

ADVERTENCIA: Añadir un cojín en una silla de ruedas podría afectar el centro de gravedad de la misma. Los cambios en su centro de gravedad pueden afectar la estabilidad en su silla de ruedas, lo que puede provocar que vuelque o se caiga de la silla de ruedas, lo que puede provocar lesiones graves. Siempre revise las instrucciones de uso de su silla de ruedas para saber si puede ser necesario hacerle cambios a fin de garantizar suficiente estabilidad después de añadir un cojín.



La integridad de su piel puede verse afectada por muchos aspectos de su vida diaria y su condición médica, incluyendo el uso de este producto. Asegúrese de seguir los regímenes de cuidado de la piel establecidos por su médico. Los usuarios de este producto deben exigir que su piel sea controlada periódicamente a fin de detectar cambios según las indicaciones de su médico. Si no lo hace, podría sufrir lesiones graves o la muerte.

Selección del producto de asiento adecuado

Debe consultar con un profesional con licencia (es decir, un médico o terapeuta) capacitado en asientos y posicionamiento de sillas de ruedas antes de seleccionar cualquier producto de asiento y posicionamiento. Esto ayudará a garantizar que reciba el producto adecuado para sus necesidades específicas.

IV. USO Y CONFIGURACIÓN DE LA SILLA DE RUEDAS

A. Cordones, Escalones y Peldaños



ADVERTENCIA: No suba ni baje más de 1 o 2 escalones o peldaños en su silla de ruedas. No suba ni baje más de 1 o 2 escalones o peldaños en su silla de ruedas. No atender estas advertencias puede dañar su silla, provocar una caída o pérdida de control y ocasionarles al usuario o a otras personas lesiones graves o la muerte.

- A. No intente subir o bajar un cordón o escalón estando solo A MENOS que tenga mucha experiencia con la silla de ruedas y:
 - a. Pueda hacer un “caballito” o “wheelie” con seguridad, y :
 - i. Esté cierto de tener la fuerza y el equilibrio necesarios para hacerlo.
 - ii. Desbloquee y gire los tubos antivuelco hacia arriba, fuera del camino, para que no interfieran.
 - iii. No intente subir o bajar de un cordón o escalón altos (más de 4 pulgadas de alto) A MENOS que tenga ayuda. Hacerlo puede provocar que la silla de ruedas supere su punto de equilibrio y se vuelque.
 - iv. Vaya recto hacia arriba y hacia abajo por un cordón o escalón. Si sube o baja en ángulo es probable una caída o vuelco.
 - v. Tenga en cuenta que el impacto de descender desde un cordón o escalón puede dañar su silla o aflojar los sujetadores.
- B. No suba ni baje escalones en su silla de ruedas - puede ser peligroso y provocar una caída que le cause daños a su silla de ruedas, y lesiones graves o la muerte del usuario o de quienes lo ayudan.

IV. USO Y CONFIGURACIÓN DE LA SILLA DE RUEDAS

B. Transferirse

ADVERTENCIA

ADVERTENCIA: Existen muchas técnicas de transferencia apropiadas y variadas según su nivel de discapacidad y sus capacidades funcionales individuales. Debe capacitarse junto a un profesional clínico en la técnica de transferencia adecuada para usted. **Asegúrese de que puede transferirse de forma segura por su propia cuenta antes de intentar transferencias independientes. Está atento: cada vez que se transfiera habrá un momento en el que la silla de ruedas no esté debajo de usted. No lograr transferirse correctamente puede dar como resultado una caída que podría provocar graves lesiones o la muerte.**

NOTA: Antes de transferirse desde su silla de ruedas hacia otro asiento, debe hacer lo posible por reducir el espacio entre los mismos.

1. Active los seguros de las ruedas para fijar las ruedas posteriores.
2. Gire los casters hacia adelante para aumentar la distancia entre ejes de la silla de ruedas.
3. Extraiga o haga pivotar los apoyapiés.
4. Salvo que haya adquirido mucha experiencia y habilidad para transferirse, pida ayuda a un asistente.

C. Uso en tránsito

ADVERTENCIA

ADVERTENCIA: Nunca viaje sentado en su silla de ruedas dentro de un vehículo automotor a menos que haya sido equipado con la opción Tránsito. Siempre es más seguro transferirse de su silla de ruedas hacia un asiento en un vehículo automotor con cinturones de seguridad del asiento y hombros apropiados. Viajar sentado en su silla de ruedas dentro de un vehículo automotor no equipado con la opción Tránsito podría provocar lesiones graves o la muerte.

La silla de ruedas equipada con la opción Tránsito ha sido probada y aprobada por RESNA WC-4, Capítulo 19: Sillas de ruedas utilizadas como asientos en vehículos automotores e ISO 7176-19 Sillas de ruedas - Parte 19: Dispositivos de movilidad con ruedas para su uso como asientos en vehículos automotores. Las normas RESNA e ISO están diseñadas para probar la integridad estructural de la silla de ruedas como asiento para su uso en un vehículo automotor. Estas normas también tienen el objetivo de crear compatibilidad con los sistemas de retención de silla de ruedas y ocupante (WTORS).

No todas las configuraciones de sillas de ruedas son compatibles con la opción de tránsito. La configuración es ámbito exclusivo de Ki Mobility, que no suministra esta silla de ruedas sin configuraciones compatibles. Si realiza cambios en su silla de ruedas después de recibirla, debe comunicarse con su proveedor de la silla de ruedas o con Ki Mobility para asegurarse de que sea apropiado continuar usando su silla de ruedas como asiento en un vehículo automotor.

Las sujeciones de cinturón pélvico resistentes a choques y las instrucciones de uso están disponibles en el Servicio al Cliente de Ki Mobility para ser utilizadas junto con un cinturón de hombro anclado en el vehículo.

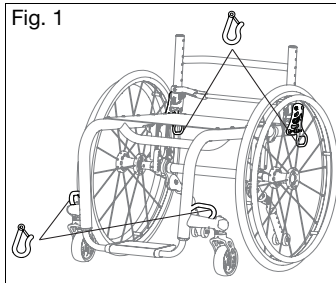
El asiento y el soporte del espaldar originales, diseñados y probados como parte de la opción Tránsito, pueden haber sido reemplazados con asientos postventa. Su proveedor de la silla de ruedas debe poder informarle si los asientos recibidos son equipos originales o asientos postventa. Antes de viajar sentado en una silla de ruedas equipada con la opción Tránsito en un vehículo a motor, debe haber ya un sistema completo de chasis y asiento de silla de ruedas, un sistema de retención de silla de ruedas y ocupante (WTORS), así como un vehículo a motor debidamente equipado, y el sistema por entero debe cumplir con las normas mencionadas en este capítulo.

Cada vez que viaje sentado en su silla de ruedas dentro de un vehículo automotor, cumpla las siguientes instrucciones:

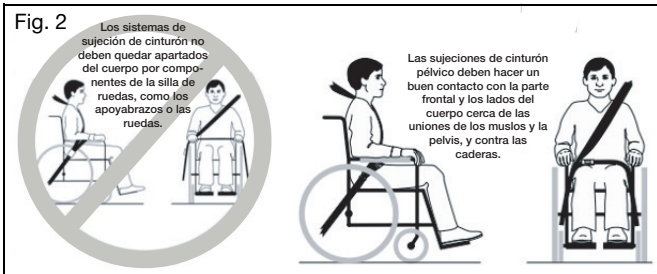
IV. USO Y CONFIGURACIÓN DE LA SILLA DE RUEDAS

C. Uso en tránsito (continuación)

- El pasajero debe sentarse orientado en el sentido de marcha.
- El pasajero y todos los artículos transportados no deben pesar más de 275 libras (125 kg).
- Algunas configuraciones de este modelo pueden superar las 28,5 pulgadas (724 mm) de ancho, que es el ancho mínimo para las plataformas elevadoras en vehículos que cumplen con ADA.
- En el caso de una silla de ruedas pesada y de gran tamaño, se recomienda el transporte en vehículos más grandes cuando exista la posibilidad.
- Las mochilas y bolsas deben retirarse y asegurarse por separado en el vehículo automotor. En caso de accidente, estos elementos pueden convertirse en proyectiles peligrosos que pueden lesionar o matar a usted u otro ocupante del vehículo automotor.
- El pasajero debe usar un sistema de retención de silla de ruedas y ocupante que cumpla con RESNA WC-4, Capítulo 18: Sistemas de sujeción de sillas de ruedas y restricción del pasajero para uso en vehículos automotores o ISO 10542-1 Sistemas técnicos y auxilios para personas discapacitadas o minusválidas - Sistemas de retención de silla de ruedas y ocupante - Parte 1: Requisitos y métodos de prueba para todos los sistemas.
- Fije los amarres de la silla de ruedas a los cuatro puntos de anclaje (dos delanteros, dos traseros) de la silla de ruedas equipada con la opción Tránsito (Fig. 1) cumpliendo con las instrucciones del fabricante de los amarres para silla de ruedas y con la norma RESNA WC-4, Capítulo 18 o ISO 10542-1, Parte 1.
- Use únicamente los puntos de fijación designados para sujetar su silla de ruedas a un vehículo.



- Fije las retenciones para el ocupante siguiendo las instrucciones del fabricante de las mismas y la norma RESNA WC-4, Capítulo 18 o ISO 10542-1, Parte 1.
- Se deben usar ambas sujeciones, de cinturón pélvico y de hombro, a fin de reducir la posibilidad de impactos de la cabeza y el pecho con los componentes del vehículo.



IV. USO Y CONFIGURACIÓN DE LA SILLA DE RUEDAS

C. Uso en tránsito (continuación)

ADVERTENCIA

ADVERTENCIA: Asegúrese de que los mecanismos de liberación de la sujeción no se vean activados por los componentes de la silla de ruedas durante una colisión. La activación de los mecanismos de liberación de la sujeción durante una colisión puede provocar lesiones graves o la muerte.



No deben utilizarse apoyacabezas, soportes laterales u otros accesorios de posicionamiento ni se debe depender de ellos como sujeción del ocupante. Estos cinturones deben colocarse de tal manera que no interfieran con el posicionamiento adecuado de las sujeciones de cinturón resistentes a colisiones y no se debe depender de ellos para la protección de los ocupantes en situaciones de colisión, a menos que el cinturón postural se haya diseñado para que cumpla con los requisitos 4.6, 5.2, 5.3 y 6.1 de la norma RESNA WC-4.

ADVERTENCIA

ADVERTENCIA: Los soportes del espaldar con ángulos de inclinación ajustables no deben estar reclinados a más de 30 grados de la vertical durante el viaje del vehículo, a menos que sea necesario por las necesidades posturales y médicas del ocupante. Después de adaptarse y regularse, la parte superior de la superficie de soporte del espaldar debe estar a 4 pulgadas (10,2 cm) de la parte superior de su hombro. No regular debidamente el soporte del espaldar y los ángulos de inclinación puede dar como resultado lesiones graves o la muerte.

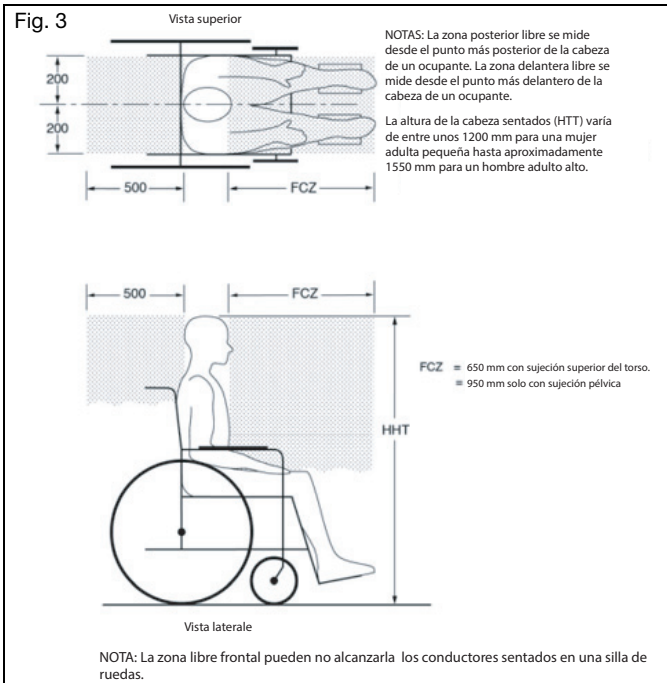
- Todo asiento postventa debe ser testeado y comprobar que sea conforme a la norma RESNA WC-4, Capítulo 20 o ISO 16840-4 - Parte 4.
- Fije el asiento al chasis de la silla de ruedas siguiendo las instrucciones del fabricante del asiento y la norma RESNA WC-4, Capítulo 20 o ISO 16840-4 - Parte 4.
- Accesorios como bandejas, tubos de oxígeno y sus respectivos soportes, portasueros, mochilas, bolsas y cualquier otro artículo no fabricado por Ki Mobility, deben retirarse y sujetarse por separado en el vehículo automotor. En caso de accidente, estos elementos pueden convertirse en proyectiles peligrosos que pueden lesionar o matar a usted u otro ocupante del vehículo automotor.
- Si la silla de ruedas hubiese estado involucrada en un accidente de tránsito, interrumpa su uso puesto que pueden haberse creado desgastes o daños no visibles.

IV. USO Y CONFIGURACIÓN DE LA SILLA DE RUEDAS

C. Uso en tránsito (continuación)

⚠️ ADVERTENCIA ⚠️

ADVERTENCIA: Si los componentes interiores del vehículo no se pueden retirar de la zona despejada, especialmente los que están cerca de la cabeza del ocupante durante un impacto lateral o una volcadura del vehículo, deben estar acolchados con material que cumpla con la norma FMVSS 201. No acolchar los componentes interiores de la zona despejada puede dar como resultado lesiones graves o la muerte.



IV. USO Y CONFIGURACIÓN DE LA SILLA DE RUEDAS

C. Uso en tránsito (continuación)



ADVERTENCIA: Quite y asegure cualquier elemento fijado temporalmente a la silla mientras está en un vehículo automotor. Dejar puestos elementos sobre la bandeja de ventilación, de la batería o en el soporte del tubo de oxígeno sin fijarlos de manera adecuada y por separado en un vehículo automotor podría convertirlos en peligrosos proyectiles durante un accidente. Además, los tubos de oxígeno contienen un gas altamente presurizado que acelera vigorosamente la combustión. Estos factores pueden provocar lesiones graves o la muerte del usuario o cualquier otra persona en el vehículo.

- Antes de viajar sentado en esta silla de ruedas dentro de un vehículo automotor, retire cualquier elemento fijado a la bandeja de ventilación, de la batería o al soporte del tubo de oxígeno y guárdelos al seguro por separado.
- Si la silla de ruedas viene con soporte para tubo de oxígeno, nunca la use para viajar sentado en ella dentro de un vehículo automotor.

NOTA: Para obtener copias de las normas RESNA o ISO, comuníquese con las siguientes organizaciones titulares de las mismas:

RESNA

www.resna.org

Normas ANSI/RESNA:

RESNA WC-4, Capítulo 18:

Sistemas de retención de silla de ruedas y ocupante para uso en vehículos automotores.

RESNA WC-4, Capítulo 19:

Sillas de ruedas utilizadas como asientos en vehículos automotores.

RESNA WC-4, Capítulo 20:

Sistemas de asientos para sillas de ruedas para usar en vehículos automotores.

Organización Internacional de Normalización (ISO)

www.iso.org

Normas ISO:

ISO 10542-1 Sistemas técnicos y auxilios para personas discapacitadas o minusválidas – Sistemas de retención de silla de ruedas y ocupante - Parte 1:

Requisitos y métodos de prueba para todos los sistemas.

ISO 16840-4 Asientos de silla de ruedas - Parte 4:

Sistemas de asientos para uso en vehículos automotores.

ISO 7176-19 Sillas de ruedas - Parte 19:

Dispositivos de movilidad con ruedas para su uso como asientos en vehículos automotores.

Ministerio de Transportes de los E.E.U.U.

FMVSS 201

www.nhtsa.gov

Protección del ocupante durante un impacto interno – Protección de la parte superior de la cabeza durante un impacto

Resultados de la prueba de tránsito

La calificación de la estabilidad lateral es Buena.

Tipo de sujeción - De tres puntos

La calificación de un fácil posicionamiento adecuado de un cinturón de tres puntos es Excelente


La calificación del grado en que se puede lograr el cinturón de tres puntos adecuado es 16/16.

IV. USO Y CONFIGURACIÓN DE LA SILLA DE RUEDAS

D. Uso del cojín

ADVERTENCIA

ADVERTENCIA: Evite sentarse durante largos períodos de tiempo sin un cojín de silla de ruedas adecuado. Sentarse por largos períodos de tiempo sin un cojín de silla de ruedas adecuado podría causar úlceras por presión que podrían provocar infecciones graves o incluso la muerte.

 **Sujete el cojín antes de usarlo o de transferirse. Si el cojín no está correctamente sujetado, puede deslizarse fuera de la silla de ruedas durante el uso o las transferencias, dando como resultado caídas o pérdida de control. Una caída o pérdida de control puede provocar daños a su silla o lesiones graves o la muerte a usted u otros.**

- a. Esta silla de ruedas fue diseñada para usarse con un cojín de silla de ruedas adecuado.
- b. El tapizado estándar de la eslinga viene con tiras autoajustables de gancho y bucle. El cojín que se utilice debe contar con sujetadores de tipo gancho que puedan pegarse a los bucles de la eslinga del asiento para evitar que el cojín se le deslice debajo de usted. Asegúrese de que el cojín esté bien sujeto antes de transferirse o sentarse en la silla de ruedas.
- c. Es posible que la silla de ruedas no haya sido suministrada con una eslinga estándar de asiento. Consulte con el proveedor de su silla de ruedas si la eslinga del equipo original ha sido sustituida por un accesorio postventa. En tal caso, cumpla con las indicaciones de uso del fabricante del accesorio postventa.

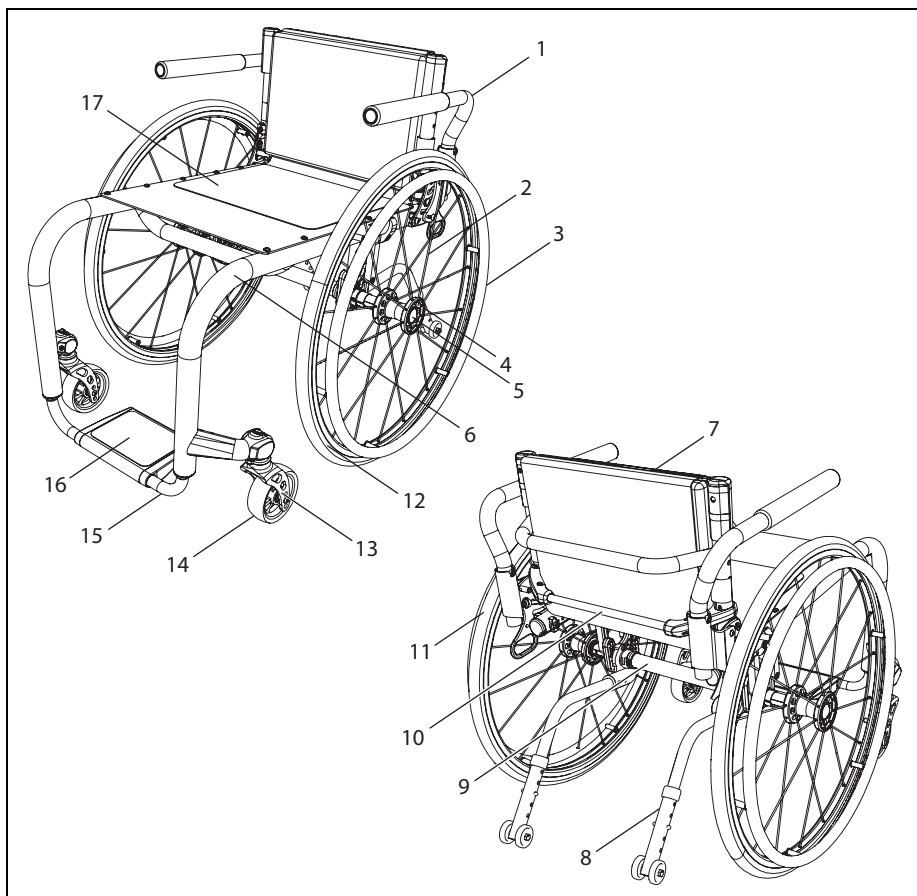
E. Transporte de una silla de ruedas desocupada

Las sillas de ruedas Ki Mobility son generalmente adecuadas para ser transportadas en vehículos de motor y aviones. Las sillas de ruedas siempre deben estar sujetadas (se requieren instrucciones específicas del transportista). En función de la configuración de la silla de ruedas, cualquier silla de ruedas en particular puede ser demasiado grande para el transporte en algunos vehículos de motor o aviones. Consulte otros capítulos sobre cómo desmontar opcionales y accesorios para disminuir el tamaño con objeto de guardarla.

IV. USO Y CONFIGURACIÓN DE LA SILLA DE RUEDAS

F. Su Rogue 2 y sus partes

1. Inspeccione y mantenga su silla utilizando la información que se encuentra en la sección **Manutención y Cuidado**.
2. Si detecta un problema, comuníquese con su proveedor autorizado de inmediato.



- | | |
|------------------------------------|---------------------------------|
| 1. Apoyabrazos abatible swing away | 10. Barra de liberación |
| 2. Rayo | 11. Rueda |
| 3. Aro de rueda | 12. Llanta de rueda de aluminio |
| 4. Cubo de la rueda posterior | 13. Horquilla del caster |
| 5. Eje de liberación rápida | 14. Caster |
| 6. Chasis | 15. Apoyapiés |
| 7. Tapizado del respaldo | 16. Bandeja apoyapiés |
| 8. Antivuelco | 17. Tapizado del asiento |
| 9. Tubo del camber | |

IV. USO Y CONFIGURACIÓN DE LA SILLA DE RUEDAS

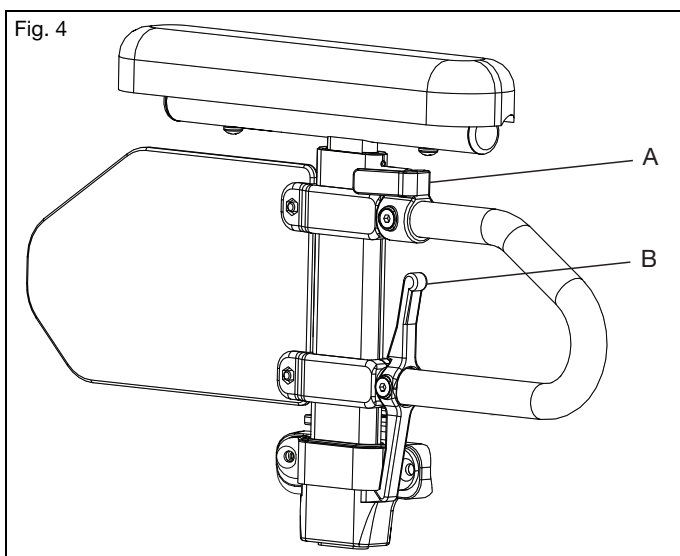
G. Brazo en T de altura regulable

⚠️ ADVERTENCIA ⚠️

ADVERTENCIA: Estos brazos pueden bloquearse sólo contra la rotación y están diseñados para resistir fuerza descendente únicamente. Si se los tira hacia arriba se saldrán por completo. No deben usarse para levantar o movilizar la silla de ruedas de cualquier otro modo. El incumplimiento de estas instrucciones puede causar que el apoyabrazos se salga de la silla de ruedas accidentalmente y dé como resultado una caída o pérdida de control y, a su vez, provocar grave daño o muerte.

Cómo usar su apoyabrazos

1. Instalación
 - a. Inserte el bastón exterior del brazo en el correspondiente alojamiento del chasis de la silla de ruedas.
 - b. El apoyabrazos se fijará automáticamente en su lugar. Verifique que la palanca de bloqueo esté como se muestra (Fig. 4:B).
2. Regular la altura
 - a. Gire la palanca de liberación (Fig. 4:A).
 - b. Deslice la almohadilla del apoyabrazos hacia arriba o hacia abajo hasta la altura deseada.
 - c. Coloque nuevamente la palanca en posición bloqueada contra el bastón del brazo.
 - d. Empuje la almohadilla hasta que la parte superior del brazo quede bien sujeta en su lugar. Verifique que la palanca de bloqueo esté como se muestra (Fig. 4:A).
3. Extraer el apoyabrazos
 - a. Presione la palanca de liberación (Fig. 4:B) y extraiga el apoyabrazos.



IV. USO Y CONFIGURACIÓN DE LA SILLA DE RUEDAS

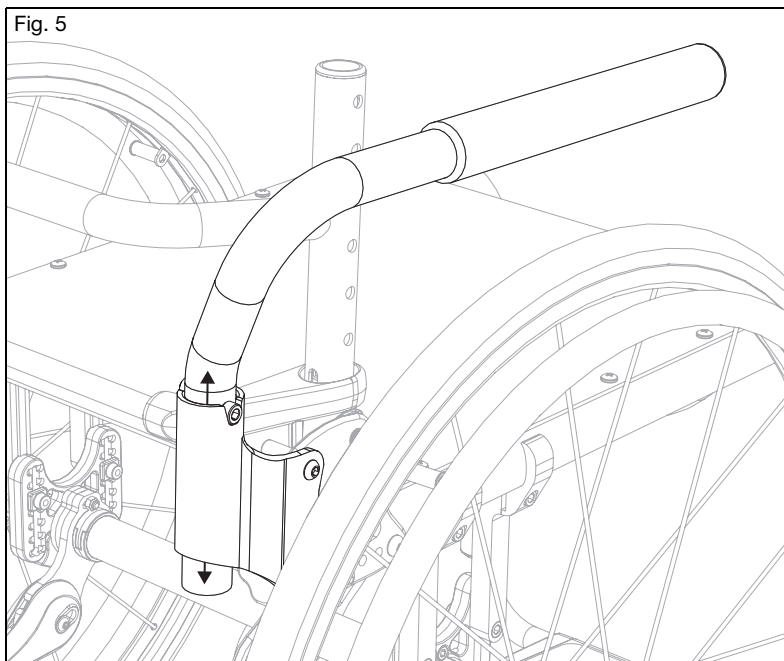
H. Apoyabrazos abatibles swing away

⚠ ADVERTENCIA ⚠

ADVERTENCIA: Estos brazos pueden bloquearse sólo contra la rotación y están diseñados para resistir fuerza descendente únicamente. Si se los tira hacia arriba se saldrán por completo. No deben usarse para levantar o movilizar la silla de ruedas de cualquier otro modo. El incumplimiento de estas instrucciones puede causar que el apoyabrazos se salga de la silla de ruedas accidentalmente y dé como resultado una caída o pérdida de control y, a su vez, provocar grave daño o muerte.

Cómo usar su apoyabrazos

1. Instalación (Fig. 5)
 - a. Inserte el apoyabrazos en el tubo del alojamiento que está montado en el lado posterior del chasis.
2. Hacer pivotar el brazo
 - a. Levante ligeramente el apoyabrazos para que quede libre del perno receptor. Hágalo girar hacia afuera.
3. Extraer el apoyabrazos
 - a. Levante el apoyabrazos directamente del alojamiento.



IV. USO Y CONFIGURACIÓN DE LA SILLA DE RUEDAS

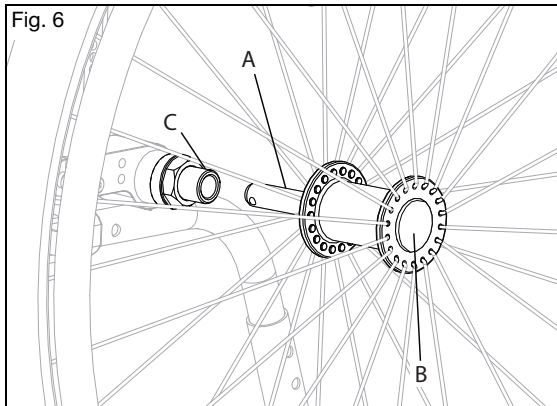
I. Ruedas posteriores

ADVERTENCIA

ADVERTENCIA: Antes de poner en uso su silla de ruedas, cerciórese que el botón de liberación rápida esté sobresalido por completo y las bolillas bloqueadoras en su interior, bien activadas. De lo contrario, la rueda podría zafarse, lo que podría provocar una caída o un vuelco, y podría ocasionarle lesiones graves o la muerte a usted u otras personas.

Cómo usar sus ruedas posteriores

1. Instalación de las ruedas
 - a. Presione el botón de liberación rápida (Fig. 6:B) en el eje (Fig. 6:C) para permitir que las bolillas bloqueadoras se retraigan. Preste atención a la diferencia entre las posiciones sobresalida y contraída del botón de liberación del eje, y cómo influye sobre las bolillas bloqueadoras en el otro extremo del eje.
 - b. Inserte el eje en el alojamiento del cojinete de la rueda, si ésta está separada de la silla de ruedas.
 - c. Presione nuevamente el botón de liberación rápida y deslice el eje dentro del manguito del eje (Fig. 6:A).
 - d. Suelte el botón para bloquear el eje en el manguito. Si el botón de liberación no sobresale por completo y las bolillas bloqueadoras no van a posición bloqueada después de soltar el botón, se debe corregir la longitud del eje.
 - e. Si la rueda no encaja, intente instalarla en el lado opuesto.



2. Cómo quitar las ruedas
 - a. Mantenga la rueda cerca del cubo y presione el botón en el extremo exterior del eje.
 - b. Mientras mantiene presionado el botón, extraiga la rueda y el eje de su manguito.

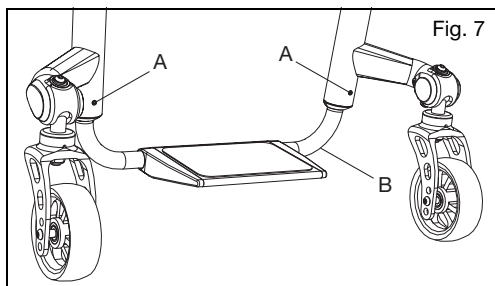
IV. USO Y CONFIGURACIÓN DE LA SILLA DE RUEDAS

J. Ajuste del apoyapiés

Cómo cambiar el ajuste de altura de su apoyapiés

NOTA: La altura del apoyapiés debe determinarse trabajando con su terapeuta para garantizar el ajuste adecuado para sus necesidades.

1. Afloje el tornillo prisionero (Fig. 7:A) en cada lado del chasis con una llave Allen de 3 mm. No quite los tornillos.
2. Ajuste el tubo del apoyapiés hacia arriba o hacia abajo para alcanzar la altura deseada (Fig. 7:B).
3. Asegúrese de que ambos lados estén ajustados por igual y vuelva a apretar cada tornillo prisionero a 40 in/lb (4.5 N*m).



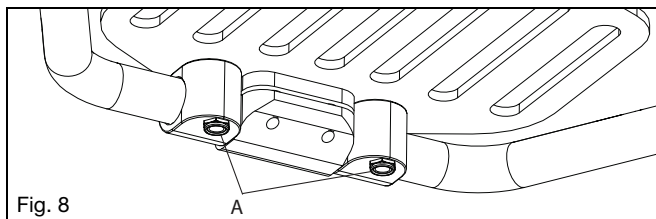
K. Apoyapiés de ángulo regulable

Cómo ajustar el ángulo de la bandeja apoyapiés de ángulo ajustable:

1. Use una llave Allen de 4 mm para aflojar los dos tornillos (Fig. 8:A) que aseguran la bandeja apoyapiés a la abrazadera de la bandeja apoyapiés. No quite los tornillos de la bandeja apoyapiés. Una vez flojos, la bandeja apoyapiés girará fácilmente alrededor del tubo de extensión del apoyapiés.
2. Seleccione la posición deseada y vuelva a apretar los dos tornillos M6 (Fig. 8:A) a 80 in/lb (9.04 N*m).

Cómo cambiar la posición de la bandeja apoyapiés abatible de aluminio:

1. Quite los dos tornillos M6 de bandeja apoyapiés. Hay tuercas nylock M6 empotradas en la parte inferior de la abrazadera. Asegúrese de evitar que se caigan al aflojar los tornillos.
2. Regule la bandeja apoyapiés girándola hacia adelante o hacia atrás, según el ángulo deseado. Una vez que se alcanza la posición preferida, vuelva a insertar los tornillos en los agujeros apropiados.
3. Coloque las tuercas en la ranura debajo de la abrazadera y apriete firmemente los tornillos para fijarla.

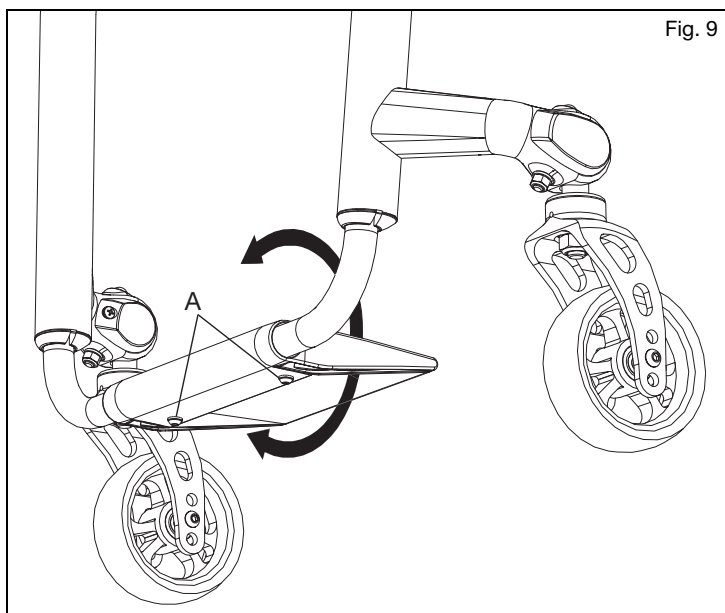


IV. USO Y CONFIGURACIÓN DE LA SILLA DE RUEDAS

L. Apoyapiés ajustable de ángulo híbrido

Cómo cambiar el ajuste de altura de su apoyapiés

1. Afloje los dos tornillos (Fig. 9:A) en la parte inferior del apoyapiés con una llave Allen de 4 mm.
2. Gire el apoyapiés al ángulo deseado y fíjelo en su lugar apretando de nuevo los dos tornillos.



IV. USO Y CONFIGURACIÓN DE LA SILLA DE RUEDAS

M. Seguros de las ruedas

⚠️ **ADVERTENCIA** ⚠️

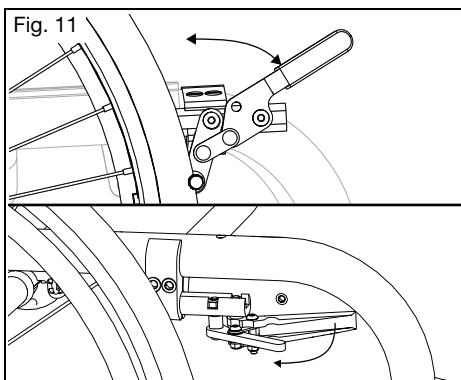
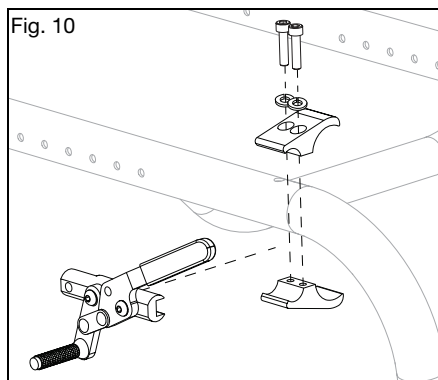
ADVERTENCIA: Los neumáticos desinflados o desgastados pueden hacer que los seguros de las ruedas no funcionen correctamente. Si los seguros de las ruedas no logran retener la silla de ruedas, podría originarse una pérdida de control o caída que podría provocar lesiones graves o la muerte.

⚠️ Los seguros de las ruedas no se deben utilizar como frenos para reducir la velocidad de su silla de ruedas o detenerla. Usar un seguro de rueda como freno podría provocar pérdida del control o una caída que podría ocasionar lesiones graves o la muerte.

Cómo regular los seguros de las ruedas

NOTA: Siempre afloje y apriete los pernos u otros elementos de las ruedas aflojando y apretando un poco cada vez a cada lado. Evitará así un exceso de presión sobre un set de pernos o elementos que provoca atascamiento y mayor dificultad para retirarlos.

1. Use una llave Allen de 5 mm para girar uno de los tornillos en la abrazadera hasta que salga con facilidad (menos de una vuelta).
2. Repita el paso 1 con los siguientes tornillos para que la abrazadera pueda ajustarse sobre el chasis.
3. Ajuste la abrazadera a lo largo del chasis para lograr que el seguro de la rueda trabaje bien el neumático y detenga cualquier movimiento. Ver Fig. 10.
4. Vuelva a apretar los tornillos.
5. Pruebe siempre el nuevo estado del seguro de la rueda sobre una superficie plana y nivelada. Con los seguros activados, las ruedas no deben poder desplazarse ni moverse. Si los seguros de las ruedas no están ajustados correctamente, es indispensable modificarlos hasta que así lo estén. Ver Fig. 11.



Funcionamiento del seguro de las ruedas

1. El funcionamiento del seguro de las ruedas se basa en el estilo de seguro con el que esté equipada su silla. El enganche de la barra del seguro de la rueda con el neumático se hace empujando o tirando de la manija del seguro de la rueda para enganchar completamente la barra del seguro de la rueda al neumático.
2. Para desenganchar el seguro de la rueda, muévelo en dirección opuesta.

IV. USO Y CONFIGURACIÓN DE LA SILLA DE RUEDAS

N. Antivuelco

⚠️ **ADVERTENCIA** ⚠️

ADVERTENCIA: Mantenga en todo momento los antivuelco activados hacia abajo siempre que no haya riesgo de interferencia. Haga que un profesional clínico o técnico confirme que sus antivuelco están correctamente instalados. El control se realiza inclinando hacia atrás la silla de ruedas con el usuario sentado, cargando el peso sobre los antivuelco, para probar que limitan adecuadamente la rotación hacia atrás de la silla de ruedas. Si los antivuelco permiten que la silla de ruedas se incline hasta un punto en el cual su centro de gravedad (COG) está alineado verticalmente con el punto donde la rueda toca el suelo, significa que la silla de ruedas es inestable y podría volcarse. Un vuelco puede dañar su silla de ruedas, causar lesiones graves o la muerte.

⚠️ Los usuarios, ya sean nuevos o expertos, que se pasan a otra silla de ruedas o bien que regulan la configuración de su silla actual, deben activar en todo momento los antivuelco. Si existe algún cambio en las capacidades físicas del usuario, también debe usar antivuelco. Cualquier cambio en las capacidades físicas del usuario o en la silla de ruedas aumenta el riesgo de volcar hacia atrás. Un vuelco hacia atrás puede dañar su silla de ruedas, causar lesiones graves o la muerte. Es importante activar siempre los antivuelco hasta que se haya adaptado a una silla de ruedas nueva o reconfigurada.

⚠️ Quite o desplace hacia arriba los antivuelco al subir o bajar bordillos, obstáculos y escalones. Si los antivuelco se dejan en posición hacia abajo al subir o bajar bordillos, obstáculos y escalones, pueden doblarse o quebrarse. Si los antivuelco están doblados o quebrados, ya no evitarán que la silla de ruedas se vuelque hacia atrás. Un vuelco hacia atrás puede dañar su silla de ruedas, causar lesiones graves o la muerte.

⚠️ Los antivuelco pueden no ser eficaces cuando se transita con la silla de ruedas por superficies flojas (como por ejemplo arena, tierra suelta, césped y grava), rampas y pendientes irregulares. Si el antivuelco no es eficaz, la silla de ruedas puede volcarse hacia atrás. Un vuelco hacia atrás puede dañar su silla de ruedas, causar lesiones graves o la muerte.

⚠️ Ki Mobility recomienda usar dos antivuelco en su silla de ruedas. El uso de un solo antivuelco aumenta el riesgo de vuelco hacia atrás. Un vuelco hacia atrás puede dañar su silla de ruedas, causar lesiones graves o la muerte.

Ki Mobility recomienda usar antivuelco con su silla de ruedas. Los antivuelco ayudan a evitar que su silla de ruedas se incline hacia atrás. Cuando se ajustan adecuadamente, los antivuelco proporcionan un aumento significativo en la estabilidad hacia atrás. El uso de antivuelco no garantiza que su silla de ruedas no vuelque. Recuerde volver a activar o girar hacia abajo los antivuelco cada vez que los haya quitado o girado hacia arriba.

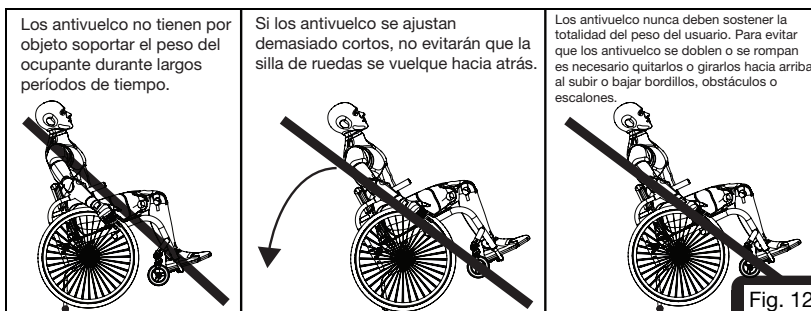


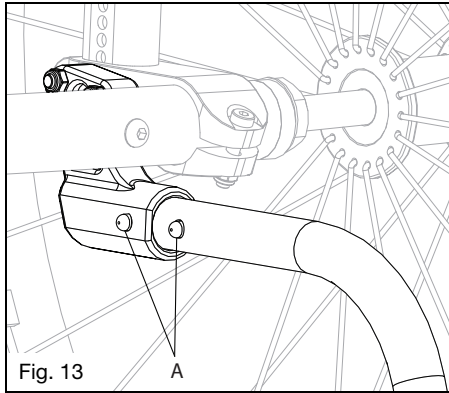
Fig. 12

IV. USO Y CONFIGURACIÓN DE LA SILLA DE RUEDAS

N. Antivuelco (Continuación)

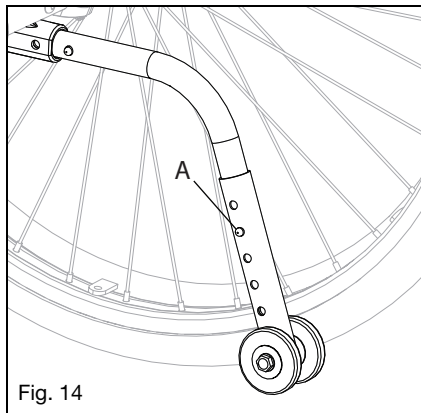
Cómo instalar los antivuelco estándar (Fig. 13)

1. Empuje el pasador de liberación posterior de los antivuelco (Fig. 13:A) dentro del correspondiente tubo de tal manera que ambos pasadores queden dentro.
2. Inserte el tubo del antivuelco en el alojamiento que se halla sobre el tubo del camber.
3. Gire el tubo antivuelco hacia abajo hasta que el pasador de liberación entre en el orificio de montaje del alojamiento.
4. Inserte el segundo tubo antivuelco de la misma manera.



Cómo ajustar la altura de la extensión de la rueda (Fig. 14)

1. Presione el pasador de liberación de la rueda antivuelco para que el pasador de liberación (Fig. 14:A) quede adentro.
2. Suba o baje el antivuelco hasta que encastre en uno de los agujeros existentes.
3. Suelte el pasador.
4. Ajuste el segundo tubo antivuelco de la misma manera. Ambas ruedas deben estar exactamente a la misma altura.

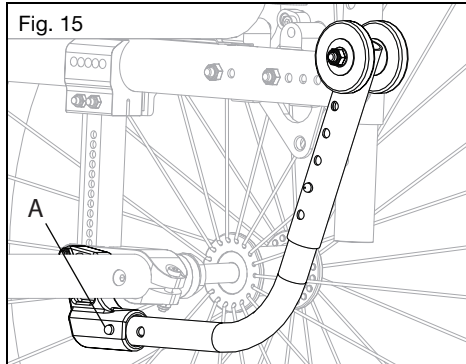


IV. USO Y CONFIGURACIÓN DE LA SILLA DE RUEDAS

N. Antivuelco (Continuación)

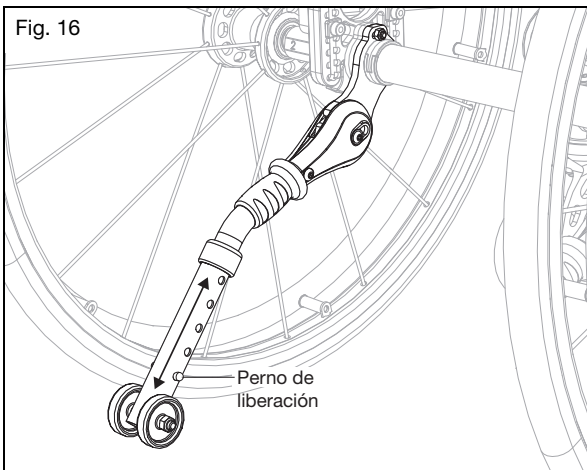
Cómo girar los tubos antivuelco hacia arriba (Fig. 15)

1. Empuje el pasador de liberación del tubo antivuelco posterior (Fig. 15:A).
2. Sujete el pasador y gire el tubo antivuelco hacia arriba.
3. Suelte el pasador.
4. Repita con el segundo tubo antivuelco.
5. Vuelva a colocar los tubos antivuelco en la posición baja después de completar la maniobra.



Cómo ajustar la longitud de los antivuelco activados por el usuario (Fig. 16)

1. Empuje hacia adentro el pasador de liberación de la rueda del antivuelco.
2. Suba o baje el antivuelco hasta que encaste en uno de los agujeros existentes.
3. Suelte el pasador.
4. Ajuste el segundo tubo antivuelco de la misma manera. Ambas ruedas deben estar a la misma altura.

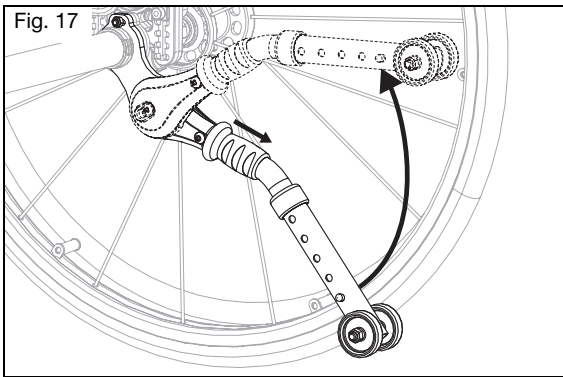


IV. USO Y CONFIGURACIÓN DE LA SILLA DE RUEDAS

N. Antivuelco (Continuación)

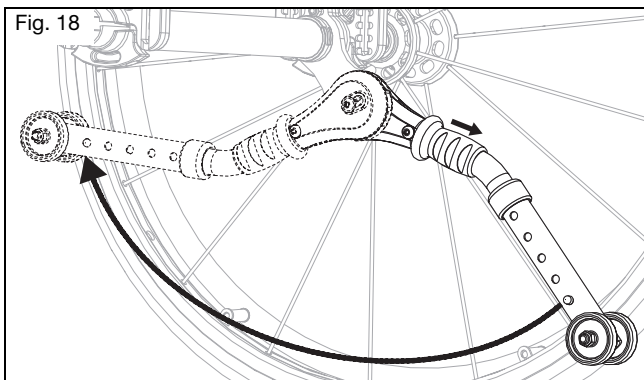
Cómo poner los antivuelco activados por el usuario en las posiciones de uso y hacia arriba (Fig. 17)

1. Agarre la empuñadura de hule y tire hacia abajo, desenganchando el antivuelco de la ranura del alojamiento.
2. Gírela a la posición deseada. El antivuelco debe permanecer en posición una vez que se haya soltado la empuñadura de hule.
3. Ajuste el segundo tubo antivuelco de la misma manera. Ambas ruedas deben estar exactamente a la misma altura.



Cómo poner los antivuelco activados por el usuario en la posición de transferencia (Fig. 18)

1. Levante la silla de ruedas de modo que las ruedas posteriores estén separadas del suelo.
2. Agarre la empuñadura de hule y tire hacia abajo, desenganchando el antivuelco de la ranura del alojamiento.
3. Gire debajo de la silla de ruedas a la posición de transferencia. El antivuelco debe permanecer en posición una vez que se haya soltado la empuñadura de hule.
4. Ajuste el segundo tubo antivuelco de la misma manera. Ambos antivuelco deben estar en la misma posición.



IV. USO Y CONFIGURACIÓN DE LA SILLA DE RUEDAS

O. Tapizado

⚠️ ADVERTENCIA ⚠️

ADVERTENCIA: Reemplace de inmediato el tapizado de asiento y espaldar que se haya desgastado y muestre signos de falla. Si no lo hace, el asiento o el espaldar pueden ceder y provocar caídas que dan como resultado graves lesiones o la muerte.

El material de la eslinga del asiento se debilitará con el tiempo. La acción repetida de transferirse a la silla de ruedas debilitará el material de la eslinga más rápido. Cerciérese de que el tapizado no esté deshilachado, debilitado en algunos puntos o que la trama no esté estirada, en particular en bordes y costuras. Esto debe hacerse mensualmente. Además, tenga en cuenta que el lavado o el exceso de humedad reducirán las propiedades retardantes de llama de la tela. Consulte las indicaciones del capítulo Mantenimiento y Cuidado para una correcta limpieza. Póngase en contacto con su distribuidor oficial si tiene inquietudes sobre su asiento o su espaldar, o cree que necesitan ser reemplazados.

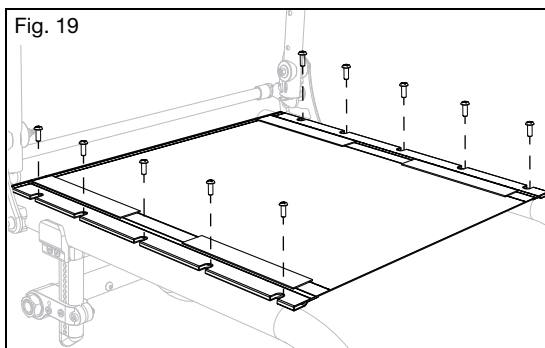
P. Tapizado del asiento

⚠️ ADVERTENCIA ⚠️

ADVERTENCIA: Reemplace de inmediato el tapizado de asiento y espaldar que se haya desgastado y muestre signos de falla. Si no lo hace, el asiento o el espaldar pueden ceder y provocar caídas que dan como resultado graves lesiones o la muerte.

Cómo ajustar la tensión del tapizado del asiento

1. Busque debajo del tapizado del asiento y tome la lengüeta de gancho y bucle de tensión regulable. Esta debe estar ubicada en la parte inferior, lado derecho del tapizado del asiento.
2. Afloje los tornillos de cabeza de estrella (Fig. 19) en el mismo lado del tapizado del asiento que la lengüeta de tensión ajustable.
3. Separe el gancho del bucle en la lengüeta de tensión ajustable tirando de él.
4. Para ajustar el tapizado del asiento, tire de la lengüeta de tensión regulable hacia el lado opuesto de la silla de ruedas. Para aflojar la tensión del tapizado, presione la superficie del mismo en dirección hacia el suelo.
5. Una vez alcanzada la tensión deseada del tapizado del asiento, una el gancho y el bucle nuevamente.
6. Vuelva a apretar los tornillos de cabeza de estrella (Fig. 19).



IV. USO Y CONFIGURACIÓN DE LA SILLA DE RUEDAS

P. Tapizado del asiento (continuación)

Cómo reemplazar el tapizado del asiento

1. Quite los tornillos de cabeza de estrella de 5 mm (Fig. 19) de los rieles del asiento a cada lado del chasis y déjelos a un lado.
2. Extraiga el tapizado del asiento de los rieles.
3. Coloque el nuevo tapizado del asiento en los rieles.
4. Alinee los orificios de los rieles del asiento con los insertos roscados del chasis.
5. Vuelva a colocar los tornillos de cabeza de estrella de 5 mm (Fig. 13) enroscándolos parcialmente en su lugar. Una vez que todos los tornillos estén posicionados en su sitio, regrese sobre cada uno de ellos y fíjelos bien.

Q. Espaldar

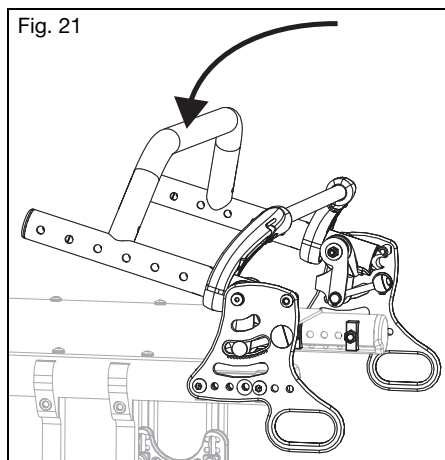
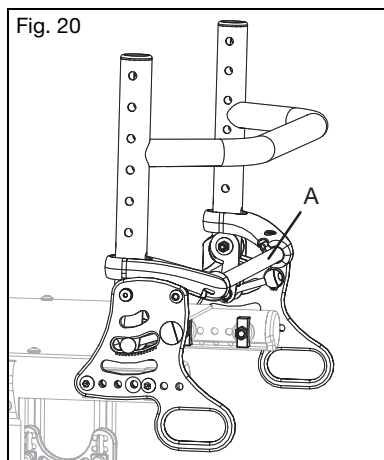
⚠ ADVERTENCIA ⚠

ADVERTENCIA: No levante la silla de ruedas usando la barra de liberación (Fig. 20:A). Levantar la silla de ruedas usando la barra de liberación puede ocasionar fallas en las piezas, lo que puede provocar una caída y lesiones graves o la muerte.

⚠ No ocupe ni opere la silla cuando el espaldar no esté asegurado. Si lo hace, podría provocar una caída que podría provocar lesiones graves o la muerte.

Cómo usar el espaldar plegable

1. Levante la barra de liberación posterior (Fig. 20:A), ubicada detrás del chasis posterior, para liberar el seguro y doblar hacia abajo hacia el chasis del asiento (Fig. 21). Para volver a engancharla en su lugar, tire de la barra de liberación hacia afuera y la parte posterior se soltará y podrá empujarla hacia la posición vertical. El espaldar se enganchará automáticamente en el chasis lateral.
2. Asegure un enganche sólido en los pestillos tirando hacia atrás del chasis del espaldar hacia la posición vertical.



IV. USO Y CONFIGURACIÓN DE LA SILLA DE RUEDAS

Q. Espaldar (Continuación)

Cómo usar la posición relajada (Fig. 22)

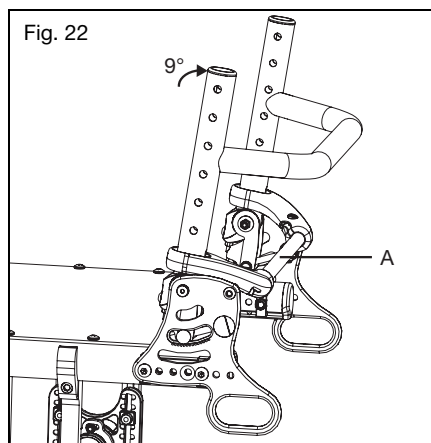
⚠ **ADVERTENCIA** ⚠

ADVERTENCIA: Retire su peso del espaldar al poner la silla de ruedas en posición de relajación, de lo contrario podría producirse un vuelco. Un vuelco o caída podría causar daños a la silla, lesiones graves o la muerte.

⚠ **La posición de relajación afecta la estabilidad de la silla y aumenta el riesgo de volcarse. Un vuelco podría provocar daños en su silla, lesiones graves o la muerte.**

El respaldo se abrirá adoptando una posición extendida que se conoce como "Posición relajada" y que tiene dos posibilidades de regulación, 4 y 9 grados.

1. Inclínese hacia adelante ligeramente para quitar la carga de los pasadores de enganche y luego tire hacia arriba de la barra de liberación (Fig. 22:A) e inclínese hacia atrás en la posición relajada.
2. Bloquee la parte posterior tirando de los tubos posteriores hacia adelante hasta que la parte posterior se bloquee con un clic.



R. Temperatura de la superficie

⚠ **ADVERTENCIA** ⚠

ADVERTENCIA: Las superficies calientes de las sillas de ruedas pueden crear situaciones potencialmente peligrosas que, si no se evitan, podrían causar lesiones.

⚠ **No exponga la silla de ruedas ni sus componentes al frío extremo. Las superficies metálicas extremadamente frías pueden congelar la piel sobre la superficie y dañar la piel.**

Tenga en cuenta que la exposición prolongada a la luz solar directa u otras fuentes de calor radiante puede aumentar la temperatura de las superficies de su silla de ruedas por encima de los límites estimados recomendados por estándares.

Los cuidadores deben evaluar a los pacientes a fin de detectar reacciones adversas de la piel por las superficies de contacto tales como enrojecimiento, hinchazón, sensibilización a la irritación, alergia, respuesta inmune u otras reacciones.

IV. USO Y CONFIGURACIÓN DE LA SILLA DE RUEDAS

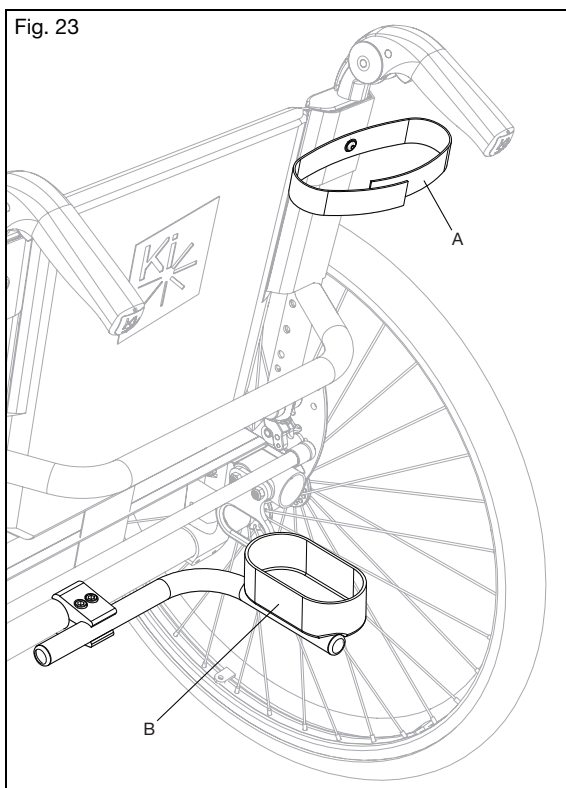
S. Soporte para bastón y muletas

⚠ **ADVERTENCIA** ⚠

ADVERTENCIA: Siempre quite los elementos colocados momentáneamente en la silla de ruedas cuando viaje en un vehículo. Dejar elementos enganchados, sin retirarlos y asegurarlos por separado dentro al vehículo puede convertirlos en peligrosos proyectiles en caso de una frenada o virada súbita o abrupta. Es necesario también fijar bastones y/o muletas a la silla de ruedas de la manera correcta cuando se desplaza en ella. Estos elementos pueden encastrarse en la silla de ruedas y provocar una caída o vuelco. Las caídas y los vuelcos pueden dañar la misma o causar lesiones graves o muerte.

Cómo usar el soporte para bastón y muletas

1. Coloque el extremo estrecho del bastón o muleta en la parte inferior del receptáculo (Fig. 23:B).
2. Utilice el sujetador de velcro (Fig. 23:A) para fijar el bastón o muleta a la parte superior de la vara del espaldar. Confirme que el bastón o las muletas permanezcan firmes en su sitio tanto vertical como horizontalmente cuando la silla de ruedas esté en movimiento.



V. MANUTENCIÓN Y CUIDADO

A. Tabla de manutención

La manutención regular y habitual extenderá la vida útil de su silla de ruedas a la vez que mejorará su desempeño. Reparar una silla de ruedas, sustituir piezas y efectuar cualquier control de manutención en los cuales no se sienta seguro debe ser llevada a cabo por un distribuidor oficial. Use únicamente piezas aprobadas por Ki Mobility cuando reemplace componentes. Póngase en contacto con su representante de servicio autorizado (puede valerle del localizador de distribuidores del sitio web de Ki Mobility) a fin de obtener información sobre piezas, identificación, pedidos e información técnica o instrucción adicional. La mayoría de los componentes se ilustran en "Ki Parts" en el sitio web de Ki Mobility.

Entre las herramientas comunes para realizar el mantenimiento autorizado tenemos: Medidor de presión de los neumáticos, Llaves de boca fija y métricas y Llaves Allen métricas.



ADVERTENCIA: La falta de manutención podría dar lugar a eventos adversos, entre ellos la pérdida de apoyo o control, lo que podría provocar lesiones graves o la muerte.



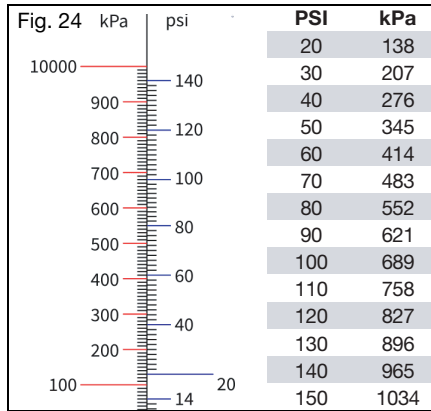
PRECAUCIÓN: No use disolventes, desengrasantes o agentes deshidratantes a base de petróleo (incluidos, entre otros, limpiadores para automóviles, alcoholes o WD-40). Pueden dañar los componentes, cojinetes o acabados.

Revise	Semanalmente	Mensualmente	Anualmente
Revise los niveles de inflado de los neumáticos e infle según sea necesario. Los niveles de inflado correctos están escritos en el neumático. (Consulte la tabla de conversión de presiones a continuación si es necesario - Fig. 24)	✓		
Revise la correcta activación y desactivación de los seguros de las ruedas. Los cambios de presión y el desgaste de los neumáticos requerirán regular los seguros de las ruedas. El capítulo Seguros de las Ruedas del presente manual contiene las instrucciones para regularlos.	✓		
Inspeccione los manguitos del eje para asegurarse de que sus tuercas estén apretadas.	✓		
Compruebe que los ejes de liberación rápida enganchen y desenganchen correctamente.	✓		
Compruebe que las ruedas casters, las ruedas antivuelco y las ruedas posteriores giren libremente. Es posible que sea necesario limpiar o reemplazar piezas si hay algún problema.	✓		
Limpié el área alrededor del alojamiento del caster y los cojinetes. Este es un lugar común para la acumulación de cabello.	✓		
Mantenga limpia la silla de ruedas. Consulte las instrucciones del capítulo de Limpieza de este manual.	✓		
Revise que no haya puntos de desgaste o daños en los neumáticos posteriores, las ruedas antivuelco y las ruedas casters. Reemplácelos de inmediato si es necesario.	✓		
Revise los aros de las ruedas para asegurarse de que estén seguros y no estén dañados.	✓		
Verifique que las empuñaduras no giren ni se salgan. Reemplácelas de ser necesario.	✓		
Cerciórese de que los alojamientos de los apoyabrazos no tengan sujetadores sueltos o faltantes y que estén firmes, regulados correctamente y se mantengan en su posición.	✓		
Compruebe que los antivuelco estén nivelados y sean funcionales.	✓		
Inspeccione el chasis y los antivuelco para detectar deformaciones, defectos, grietas, marcas o torceduras. Estos podrían ser signos de fatiga en la silla de ruedas que podrían dar como resultado una falla. Deje de usar la silla de ruedas de inmediato y póngase en contacto con un proveedor autorizado.		✓	
Revise el tapizado para detectar signos de desgaste, deshilachado o agujeros. Reemplácelo de inmediato si es necesario.		✓	
Revise que las almohadillas para los brazos, los cojines y el espaldar no tengan daños, rasgaduras o roturas.		✓	
Inspeccione las ruedas en busca de rayos flojos, rotos o doblados. Reemplácelos de inmediato si es necesario.		✓	
Verifique que todos los sujetadores estén apretados. A menos que se indique lo contrario, los sujetadores deben apretarse a 40 in/lb (4,51 N*m).		✓	
Verifique que la silla de ruedas se desplace fácil y recta.		✓	
Haga que un técnico calificado de su proveedor autorizado revise y ajuste la silla de ruedas.			✓

V. MANUTENCIÓN Y CUIDADO

A. Tabla de mantenimiento (Continuación)

Tabla de conversión de presiones



B. Limpieza

⚠ PRECAUCIÓN ⚠

PRECAUCIÓN: Lavar los componentes tapizados que contienen retardadores de llama, como se indica en la etiqueta del tapizado, puede reducir la eficacia de los retardadores de llama con el tiempo. Esto puede aumentar el riesgo de ignición cuando se expone a llamas expuestas u otras fuentes de ignición, lo que puede aumentar el riesgo de lesiones.

Ejes, ruedas, neumáticos y piezas móviles:

1. Limpie semanalmente alrededor de los ejes y las ruedas con un trapo húmedo.
2. El pelo y la pelusa se alojan dentro y alrededor del alojamiento del caster y los ejes de las ruedas posteriores. Quite con un cepillo rígido o un punzón. Tenga cuidado de no dañar los sellos de los cojinetes.

Superficies pintadas

1. Lave a mano con un paño y un detergente suave.
2. Seque con un paño limpio o deje que la silla de ruedas se seque al aire.
3. Se puede usar cera no abrasiva para ayudar a preservar las superficies pintadas.

Tapizado:

1. Lave a mano con un paño y un detergente suave.
2. Deje que el tapizado se seque con el aire. **NO** seque con secarropas.

Componentes de plástico

1. Lave a mano con un paño y un detergente suave.
2. No use disolventes ni limpiadores agresivos, ya que pueden dañar los componentes de plástico.

Desinfección

1. Desinfecte las superficies con un desinfectante de venta libre con un mínimo de 70% de alcohol, o bien con toallitas. No empape con las soluciones de limpieza ni deje grandes cantidades de líquido acumuladas.
2. Deje actuar el desinfectante sobre la superficie al menos 15 minutos y luego retírelo con un paño aséptico.

V. MANUTENCIÓN Y CUIDADO

C. Almacenamiento

1. Cuando no esté en uso, mantenga su silla en un área limpia y seca. De lo contrario, la silla se oxidará o corroerá.
2. Si su silla ha estado almacenada durante más de dos meses, debe ser revisada por su proveedor autorizado antes de usarla.

D. Eliminación

Es posible que existan normativas locales específicas sobre la eliminación o el reciclaje de desechos; téngalas en cuenta cuando necesite deshacerse de desechos. Esto puede incluir la limpieza o descontaminación de la silla de ruedas antes de desecharla.

Si es obligatorio reciclar los materiales, tenga en cuenta los siguientes materiales generales usados en los componentes de la silla de ruedas:

- Aluminio - Chasis, horquilla del caster, montaje del caster, alojamiento de los cojinetes, ensamble del tubo del camber, placas de montaje del espaldar y su chasis, barra de liberación del espaldar, manijas de empuje, tubos del apoyapiés, bandeja apoyapiés, rieles del asiento, aros de las ruedas y llanta.
- Acero - Sujetadores, ejes de liberación rápida, vástagos de los casters, pestillo de liberación del espaldar, rayos de las ruedas, cojinetes y manguito del eje.
- Plástico - Ruedas posteriores, neumáticos de los casters, manijas de empuje, almohadillas del apoyabrazos y tapones de los tubos.
- Tapizado – Tela tramada de poliéster y espuma de poliuretano.

Si se desea reciclar los materiales o es requerido, como por la Directiva 2012/19/EU, WEEE (Desechos de equipos eléctricos y electrónicos) en Europa, tanto REAC como Mascot cumplen con WEEE y brindan una guía sobre reciclaje y eliminación. Es necesario un desmontaje adecuado para lograr una alta proporción de reutilización o reciclaje. Al manipular, es necesario cuidar de usar herramientas adecuadas y medidas de protección para evitar el contacto con bordes afilados.

Los plásticos marcados con símbolos de reciclaje y las piezas termoplásticas se pueden reciclar. Las piezas de aluminio, cobre y acero, incluidos los sujetadores, pueden reciclarse. Los cables, baterías y PCB deben eliminarse por separado según los requerimientos locales.

Si tiene dudas o no logra deshacerse de la silla de ruedas como corresponde, devuélvala junto con los accesorios a su proveedor autorizado para que los elimine según las normas.

VI. RESOLUCIÓN DE PROBLEMAS

A. Problemas y soluciones

Para un rendimiento óptimo, su silla de ruedas debe ser regulada cada tanto. La siguiente es una lista de posibles problemas que puede encontrar durante la vida útil de su silla de ruedas y las soluciones sugeridas para cada problema. Para obtener los mejores resultados en la resolución de problemas, pruebe una solución a la vez, antes de pasar a una segunda solución. Si los problemas no mejoran o no está seguro de solucionarlos, se recomienda llevar la silla de ruedas a un centro de servicio autorizado para su reparación.

Soluciones:

A - Autocorrección si es posible o póngase en contacto con el distribuidor autorizado

B - Comuníquese con el distribuidor autorizado

		Problemas							
		La silla tira hacia un lado	Silla floja	Dificultad para girar	Caster suspendido en el aire	Caster que vibra	Chirridos, chasquidos o traqueteo	Bamboleo	
Soluciones	A	Asegúrese de que la presión de todos los neumáticos sea correcta y uniforme entre ellos.	X		X	X			X
	A	Verifique que todos los sujetadores estén apretados apropiadamente; apriételos si es necesario.	X	X	X	X	X	X	X
	B	Apriete los rayos (si los hay).		X				X	X
	A	Verifique que los casters toquen el suelo y no estén suspendidos en el aire.	X		X		X		
	B	Optimice el seteo del Centro de Gravedad.			X		X		
	A	Inspeccione si hay interferencias en la rueda posterior y en los casters.	X		X			X	X
	A	Aplique un lubricante a base de teflón entre las conexiones del chasis y las correspondientes piezas de acoplamiento en las áreas sospechosas.						X	
	A	Quite los residuos de casters y cojinetes.	X		X		X		X

VII. GARANTÍA

Ki Mobility garantiza el chasis y los ejes de liberación rápida de esta silla de ruedas contra defectos en materiales y mano de obra durante la vida del comprador original. Todas las demás piezas y componentes hechos por Ki Mobility de esta silla de ruedas están garantizados ante defectos en materiales y mano de obra por un término de un año desde la fecha de compra del primer consumidor.

La vida estimada del chasis es de cinco años.

Limitaciones de la garantía

1. No garantizamos:
 - a. Artículos de desgaste: Tapizado, neumáticos, apoyabrazos y sus almohadillas, tubos y manijas de empuje.
 - b. Daños resultantes de negligencia, mal uso o instalación o reparación inadecuada.
 - c. Daño por exceder el límite de peso.
2. Esta garantía es NULA si se quita o altera la etiqueta original del número de serie de la silla de ruedas.
3. Esta garantía es NULA si la silla de ruedas original ha sido modificada con respecto a su estado originario y se determina que dicha modificación dio como resultado una falla.
4. Esta garantía es válida sólo en América del norte. Infórmese con su proveedor si tienen garantías de alcance internacional.

Responsabilidad de Ki Mobility

La única responsabilidad de Ki Mobility es sustituir o reparar, a su propia discreción, las piezas cubiertas por garantía. No existen otros recursos explícitos o implícitos.

Responsabilidad del comprador

- a. Cursar notificación a Ki Mobility a través de un proveedor autorizado y antes del final del período de validez de la garantía, y obtener una autorización de devolución (RA) para devolver o reparar las piezas cubiertas por garantía.
- b. Exigir que el proveedor envíe el artículo con devolución autorizada, con transporte prepago, a:
Ki Mobility
5201 Woodward Drive
Stevens Point, WI 54481
- c. Pagar todo costo de mano de obra para reparar o instalar piezas.

VIII. ESPECIFICACIONES - ROGUE 2


Fabricante: Ki Mobility	Masa máxima de ocupantes: 125 kg, 275 lb
Dirección: 5201 Woodward Dr., Stevens Point, WI 54481	Grupo de masa de ocupantes (I, II or III): III
Modelo: Rogue 2	

Declaración informativa (ISO)								
Normativa de referencia	Medición	Valor fijo o mínimo	Valor máximo, de ser relevante	Normativa de referencia	Medición	Dim. N°	Valor fijo o mínimo	Valor máximo, de ser relevante
ISO 7176-5 8.2	Longitud total con apoyapiernas (Est o SRC)	838 mm 33 in	- mm - in	ISO 7176-1 11	¿El dispositivo antivuelco evitó que la silla de ruedas se volcara?			Sí
ISO 7176-5 8.2	Longitud total con apoyapiernas (MDC/MAC)	- mm - in	- mm - in	ISO 7176-3 7.2	Pendiente máxima cuesta arriba / cuesta abajo	N/A	>8.5°	- °
ISO 7176-5 8.3	Ancho total	673 mm 26.5 in	- mm - in	ISO 7176-3 6b	Potencia operativa del freno	N/A	53 N 12.0 lb	- N - lb
ISO 7176-5 8.4	Altura de la empuñadura (SRC/MDC)	1029 mm 42 in	- mm - in	ISO 7176-30 5.10	Potencia operativa de la palanca (basculación/reclinación)	N/A	- N - lb	- N - lb
ISO 7176-5 8.5	Longitud plegada (SRC/MDC)	812 mm 32 in	- mm - in	ISO 7176-30 8	Potencia de regulación del espaldar reclinable	N/A	- N - lb	- N - lb
ISO 7176-5 8.6	Ancho plegado (SRC/MDC)	673 mm 26.5 in	- mm - in	ISO 7176-7 3.2	Ángulo del plano del asiento	(1)	3.8°	- °
ISO 7176-5 8.7	Altura plegada (SRC/MDC)	660 mm 26 in	- mm - in	ISO 7176-7 3.3	Profundidad efectiva del asiento	(2)	432 mm 17.0 in	- mm - in
ISO 7176-5 8.8	Ascendente	25 mm 1 in	- mm - in	ISO 7176-7 3.5	Ancho efectivo del asiento	(4)	508 mm 20.0 in	- mm - in
ISO 7176-5 8.9	Masa total	13.6 kg 30 lb	- kg - lb	ISO 7176-7 3.6	Altura de la superficie del asiento en la parte delantera	(5)	425 mm 16.7 in	- mm - in
ISO 7176-5 8.10	Masa de la parte más pesada	8.8 kg 19.5 lb	- kg - lb	ISO 7176-7 3.7	Ángulo del espaldar	(6)	10°	- °
ISO 7176-5 8.13	Radio de giro (SRC/MDC)	660 mm 26 in	- mm - in	ISO 7176-7 3.8	Altura del espaldar	(7)	408 mm 20.0 in	- mm - in
ISO 7176-5 8.15	Ancho requerido de un pasillo con ángulo (SRC/MDC)	787 mm 31 in	- mm - in	ISO 7176-7 3.12	Distancia del apoyapiés al asiento	(11)	432 mm 17.0 in	- mm - in
ISO 7176-5 8.16	Profundidad requerida de entrada en puertas (SRC/MDC)	922 mm 36 in	- mm - in	ISO 7176-7 3.16	Ángulo de la pierna a la superficie del asiento	(15)	110°	- °
ISO 7176-5 8.17	Ancho requerido del pasillo para la apertura lateral (SRC/MDC)	800 mm 31.5 in	- mm - in	ISO 7176-7 3.17	Distancia del apoyabrazos al asiento	(16)	254 mm 10.0 in	- mm - in
ISO 7176-1 8	Estabilidad estática cuesta abajo	20.8°	21°	ISO 7176-7 3.18	Distancia del frente del apoyabrazos al espaldar	(17)	356 mm 14.0 in	- mm - in
ISO 7176-1 9	Estabilidad estática cuesta arriba	7.6°	19.1°	ISO 7176-7 3.23	Ubicación frontal de la estructura del apoyabrazos	(22)	432 mm 17.0 in	- mm - in
ISO 7176-1 10	Estabilidad estática lateral	15.3°	20°	ISO 7176-7 3.24	Diámetro del aro de la rueda	(23)	508 mm 20.0 in	- mm - in
ISO 7176-1 11	Estabilidad estática con antivuelco	14.4°	- °	ISO 7176-7 3.26	Ubicación horizontal del eje	(25)	76 mm 3.0 in	- mm - in

Esta silla de ruedas cumple con las siguientes normas:	Sí	No	N/A
a) Requisitos y métodos de prueba para resistencias estáticas, de impacto y de fatiga (ISO 7176-8 e ISO 717-30, según corresponda)		X	
b) Requisitos para la resistencia a la ignición de acuerdo con la norma ISO 7176-16		X	

Consulte la sección Advertencias generales del manual para obtener más información sobre la inflamabilidad.



 Ki Mobility
5201 Woodward Drive
Stevens Point, Wisconsin 54481
715-254-0991



www.kimobility.com



DCN0935.3