

Company:

Ship To:

Account Number:

Date:

Address:

Quote: PO Number:

City:

Province:

Clinician / Sales Rep:

Postal Code:

Phone:

Marked For:

Email/Fax:

Associated Quote/Order#:

[Submit Form](#)

Effective: 5/22/2023

**Rogue ALX** \_\_\_\_\_ **\$3190**

250 lb weight capacity

ADP Code: WMA4KI015, WMK4KI005

## Frame

### Seat Width

See reference A on page 6

14"	N/C
15"	N/C
16"	N/C
17"	N/C
18"	N/C
19" WAMA	N/C
20" WAMA	\$285
21" WAMA	\$285
22" WAMA	\$285

### Seat Depth

See reference B on page 6

14"	N/C
15"	N/C
16"	N/C
17"	N/C
18"	N/C
19" WAMB	N/C
20" WAMB	\$285

### Weight Capacity

350 lb (Heavy Duty)	\$750
Requires 6" casters	

### Transit Option

Transit System	\$299
125 lb maximum weight capacity	
Omit	N/C

### Sling Position

In Performance Position (0"), sling is at front of frame. The 1" or 2" sling position extends the frame in front of the sling by that amount. See reference C on page 6.

0" (Performance)	N/C
1"	N/C
2" (Classic)	N/C

### Adjustable Depth

Adds the capability to grow seat in depth

No Rear Adjustment	N/C
1/2"	N/C
1"	N/C
2"	N/C
3"	N/C

### Long Sling

Available only with 1", 2" and 3" Adjustable Depth

Long Sling	N/C
Sling will be maximum 2" longer than seat depth	

### Seat Option

Standard Seat Sling	N/C
Aluminum Solid Seat Pan	\$285
Seat Pan is 1" longer when Long Sling option is selected	

### Front Frame Bend

Angle between front seat tube and ground. See reference D on page 6.

90°	\$150
85°	N/C
80°	N/C
75°	N/C
70°	N/C

## Backrest

Back Post / Height Range / Back Height							
Back Post	Price	Height Range	Back Height				
Height Adjustable	N/C	Height Adjustable Short Back Post	11" <sup>2</sup>	12"	13"	14"	
		Height Adjustable Medium Back Post	13"	14"	15"	16"	17"
		Height Adjustable Tall Back Post	17"	18"	19"	20"	
Fixed Height <sup>1</sup>	\$85	Fixed Height Straight Back Post	9" <sup>2</sup>	10" <sup>2</sup>	11" <sup>2</sup>	12" <sup>3</sup>	13"
			14"	15"	16"	17"	18"

- 1 Not available with back upholstery
- 2 Not available with Fold Down Push Handle
- 3 Fold Down Push Handle requires Height Adjustable Rigidizer Bar

### Locking Backrest

Locking Fold Down Back \_\_\_\_\_ \$125  
Not available with 350 lb Weight Capacity

### Seat Back Angle

Standard is 90° (perpendicular to floor). Minus (-°) closes back angle. Plus (+°) opens back angle.

Standard	+3°	+6°	+9°	-3°	-6°	
	-9°	-12°				N/C

### Push Handles

Omit Push Handle \_\_\_\_\_ N/C  
 Standard Push Handle \_\_\_\_\_ N/C  
 Low Profile Push Handle \_\_\_\_\_ \$150  
*2" shorter than standard push handles*  
 Bolt-On Push Handle \_\_\_\_\_ \$125  
*Handles will be 1" - 2" above back height*  
 Fold Down Push Handle \_\_\_\_\_ \$155  
*Not available with 350 lb Weight Capacity*

### Rigidizer Bar

Adjustable Height Rigidizer Bar \_\_\_\_\_ \$94  
 Non-Adjustable Height Rigidizer Bar \_\_\_\_\_ N/C  
*Not available with Fixed Height Back Post*

### Back Upholstery

*Available only with Height Adjustable Back Posts. If selecting both upholstery and Axiom Back, the upholstery will be installed.*

Padded Velcro Adjustable with Standard Cover \_\_\_\_\_ N/C  
*Not available with 350 lb Weight Capacity*  
 Padded Velcro Adjustable with Air Mesh Breathable Cover \_\_\_\_\_ \$75  
*Not available with 350 lb Weight Capacity*  
 Tension Adjustable with Standard Cover WAMD, WAME \_\_\_\_\_ \$385  
 Tension Adjustable with Air Mesh Breathable Cover \_\_\_\_\_ \$450  
 Omit \_\_\_\_\_ -\$10

## Front Seat Height and Casters

### Caster Size / Footrest Taper / Front Seat Height

Select Front Seat Height and Footrest Taper in row corresponding to Caster Size. 6" casters not available with 85° and 90° Front Frame Bend. Footrest Taper indicates bend of front frame creating footrest width. Taper is measured from outside of seat frame to outside of front tube. 2" Taper not available with 75° Front Frame Bend. Taper is not available with 70° Front Frame Bend. See reference E on page 6. Front Seat Height is measured from floor to top of seat tube at front of seat sling. Adjustable up or down by 1/2". See reference F on page 6.

Footrest Taper	Caster Size	Front Seat Height																		
		3"	4"	5"	6"	7"	8"	9"	10"	11"	12"	13"	14"	15"	16"	17"	18"	19"	20"	20.5"
No Taper (Straight)	3"	13.5"	14"	14.5"	15"	15.5"	16"	16.5"	17"	17.5"	18"	18.5"	19"	19.5"	20"	20.5"				
	4"	14"	14.5"	15"	15.5"	16"	16.5"	17"	17.5"	18"	18.5"	19"	19.5"	20"	20.5"					
	5"	14.5"	15"	15.5"	16"	16.5"	17"	17.5"	18"	18.5"	19"	19.5"	20"	20.5"						
	6"	15"	15.5"	16"	16.5"	17"	17.5"	18"	18.5"	19"	19.5"	20"	20.5"							
1"	3"	16.5"	17"	17.5"	18"	18.5"	19"	19.5"	20"	20.5"										
	4"	17"	17.5"	18"	18.5"	19"	19.5"	20"	20.5"											
	5"	17.5"	18"	18.5"	19"	19.5"	20"	20.5"												
	6"	18"	18.5"	19"	19.5"	20"	20.5"													
2"	3"	16.5"	17"	17.5"	18"	18.5"	19"	19.5"	20"	20.5"										
	4"	17"	17.5"	18"	18.5"	19"	19.5"	20"	20.5"											
	5"	17.5"	18"	18.5"	19"	19.5"	20"	20.5"												
	6"	18"	18.5"	19"	19.5"	20"	20.5"													

### Casters

		Caster Size				
		Price	3"	4"	5"	6"
Caster Type	.75" Rollerblade	N/C				
	.75" Lighted Rollerblade	\$88				
	1" Poly	N/C				
	1" Poly Aluminum	\$110				
	1" Pneumatic	\$100				
	1.5" Poly	\$95				
	1.5" Soft Roll Aluminum	\$185				

### Fork Options

Standard Fork	N/C
Slotted Fork	\$75
Single Sided Fork	\$175
<i>Not available with 6" Caster Size</i>	
Frog Legs II Suspension System	\$475
<i>Lightweight shock absorbing fork. Not available with 350 lb Weight Capacity.</i>	
Caster Pin Locks WAMS	\$244
<i>Not Available with Single Sided Fork</i>	

## Footrest

### Footplate

Tubular "Open" Footplate	N/C
<i>Not available w/footrest widths greater than 17.5". See Reference G on page 6.</i>	
Tubular Footplate with ABS Cover	\$63
<i>Not available w/footrest widths greater than 15.5". See Reference G on page 6.</i>	
Aluminum Angle Adjustable WAMJ	\$95
Aluminum Angle Adjustable with Riser WAMJ	\$190
<i>Not available with 350 lb Weight Capacity</i>	
High Mount Aluminum Angle Adjustable WAMJ	\$190
<i>Not available with 350 lb Weight Capacity</i>	
Angle Adjustable Flip Under WAMJ	\$235
<i>Not available with footrest widths less than 9.5". Not available with 350 lb Weight Capacity</i>	
High Mount Angle Adjustable Flip Under WAMJ	\$338
<i>Not available with footrest widths greater than 15.5" or 350 lb Weight Capacity. See Reference G on page 6.</i>	

### Footrest Protector

Footrest Protector	\$32
<i>Not available with Angle Adjustable Flip Under, High Mount Angle Adjustable Flip Under or High Mount Aluminum Angle Adjustable Footplates</i>	

### Seat to Footrest Length

Measured from front edge of seat sling to top, rear of footrest. Footrest length at least 2.5" shorter than Front Seat Height recommended. See reference H on page 6.

8"	8.5"	9"	9.5"	10"	10.5"
11"	11.5"	12"	12.5"	13"	13.5"
14"	14.5"	15"	15.5"	16"	16.5"
17"	17.5"	18"	18.5"	19"	19.5"

## Rear Seat Height and Wheels

### Wheel Size / Rear Seat Height

Select Rear Seat Height in row corresponding to desired Wheel Size. For proper setup, selection is required when omitting rear wheels. Measured from floor to top of seat tube at front of back post. Rear Seat Height is custom to needs. See reference I on page 6

Wheel Size	Rear Seat Height													
22"	13.5" <sup>1</sup>	14"	14.5"	15"	15.5"	16"	16.5"	17"	17.5"	18"	18.5"	19"	19.5"	20"
24"	14.5" <sup>1</sup>	15"	15.5"	16"	16.5"	17"	17.5"	18"	18.5"	19"	19.5"	20"		
25"	15" <sup>1</sup>	15.5"	16"	16.5"	17"	17.5"	18"	18.5"	19"	19.5"	20"			
26"	15.5" <sup>1</sup>	16"	16.5"	17"	17.5"	18"	18.5"	19"	19.5"	20"				

<sup>1</sup> Available only with Low Profile tires

### Camber Bar Tower

Standard Tower	N/C
Mx Tower	\$156

Standard Tower allows rear seat height adjustment up or down in 1/4" increments. 1" adjustment available; 1/2" in lowest end of range. Mx Tower required with select low seat heights or when large rear seat height adjustment range is required. Provides 3" adjustment range in 1/4" increments.

### Spinergy Options

Select spoke color and handrim tab for Spinergy wheels

Black Spokes	Red Spokes	Blue Spokes	White Spokes	N/C
--------------	------------	-------------	--------------	-----

### Rear Wheel

		Rear Wheel Size				
		Price	22"	24"	25"	26"
Rear Wheel Type	Spoke	N/C				
	Mag	N/C				
	Maxx Spoke	\$125				
	Spinergy Spox	\$850				
	Spinergy LX	\$1065				

## Handrims

### Standard Handrims

Aluminum Anodized	N/C
Plastic Coated	\$150
Projection (8 Vertical Projections)	\$360
<i>Available only with full profile tires in combination with 22", 24", and 26" MAXX Spoke wheels, or 22" and 24" Mag wheels</i>	

### Ergonomic Handrims

*Not available with 20" or 26" wheels. Tab mount only available with 24" wheels.*

Ergo Lite Regular Grip	\$475
Ergo Standard Regular Grip	\$445
Ergo Lite Extra Grip	\$515
Ergo Standard Extra Grip	\$495
Ergo Lite Omit Grip	\$395
Ergo Standard Omit Grip	\$375

## Handrim Options

### Handrim Mount

*If no selection is made, Standard Mount will be used*

Close Mount	N/C
-------------	-----

### Micro-Grip

3M Micro Grip	\$81
<i>Not available on Plastic Coated or Projection Handrims</i>	

## Rear Wheel Spacing

*Measured from outside of back to inside of rear tire. Adjustable out 1/2" from setting. 1.5" minimum Rear Wheel Spacing with Height Adjustable T-Arm Armrest. 1" minimum Rear Wheel Spacing with 0° Rear Wheel Camber. See reference K on page 6.*

0.75"	1"	1.25"	1.5"	1.75"	N/C
-------	----	-------	------	-------	-----

## Rear Wheel Camber

0°	2°	4°	6°	8°	N/C
----	----	----	----	----	-----

## Wheel Locks

### Wheel Lock

Push to Lock	N/C
Push to Lock Flush Mount	N/C
Pull to Lock	N/C
Under Seat Scissor Lock	N/C
Low Profile Scissor Lock	\$25
<i>Not available with Low Poly, Full Poly or Sentinel Solid tires</i>	
Short Thro Scissor Lock	\$170
Omit	N/C

## Rear Tire Type

Full Poly 1 3/8"	\$69
<i>Not available on 25" or 26" wheel sizes</i>	
Low Poly 1"	N/C
<i>Not available on 25" or 26" wheel sizes or 350 lb Weight Capacity</i>	
Pneumatic with Airless Insert 1 3/8"	\$210
<i>Not available on 25" wheel size</i>	
Sentinel Solid Tire 1"	\$119
<i>Not available on 22" Mag wheel</i>	
Street Pneumatic 1 3/8"	N/C
<i>Not available on 25" wheel size</i>	
High Pressure 1"	\$90
<i>Not available on Mag wheel</i>	
Schwalbe Marathon Plus Evolution 1"	\$145
<i>Not available on Mag wheel or 22" wheel size</i>	
Mountain 2" Black	\$120
<i>Available only on 22", 24" and 25" MAXX Spoke and Spinergy wheels</i>	
Schwalbe HS-127 1 3/8"	\$119
<i>Available only on 24" wheel size. Not available on Mag wheel.</i>	

## Axle

Quick Release	N/C
Quad Quick Release	\$219
<i>Not available with Mag or Spinergy wheels</i>	

## Center of Gravity Presets

*Measured from front of back post to center of rear axle. 0" indicates axle will be directly under back post. See reference J on page 6.*

Amputee Positions			
-1.5"	-1.25"	-1"	-.75"
-.5"	-.25"	0"	.25"
Standard Positions			
.5"	.75"	1"	1.25"
1.5"	1.75"	2"	2.25"
2.5"	2.75"	3"	3.25"
3.5"	3.75"	4"	4.25"

## Wheel Lock Options

Extension Handles	\$90
<i>Available only with Push to Lock or Pull to Lock Wheel Locks</i>	
Grade Aids WAMR	\$187
<i>Available only with Push to Lock Wheel Locks and Pneumatic or Pneumatic with Airless Insert tires</i>	

## Armrests

Armrest Type	Length	Price
Height Adjustable T-Arm Tall (11.5"-15") <sup>1</sup>	Desk	\$375
	Full	
Height Adjustable T-Arm (8.5"-13.5") <sup>1</sup>	Desk	\$375
	Full	
Height Adjustable T-Arm Low (6.5"-10.5") <sup>1</sup>	Desk	\$375
	Full	

<sup>1</sup> 1.5" minimum Rear Wheel Spacing

<sup>2</sup> Includes direct mount receiver

Armrest Type	Price
Swing Away (8.5"-12.5")	\$245
Swing Away with Side Guard (8.5"-12.5") <sup>2</sup>	\$395
Omit Armrests	N/C

## Side Guards

### Direct Mount Side Guards

*Not available with T-Arms or Swing Away with Side Guard Armrests*

Composite Side Guards - Direct Mount Receiver	\$150
Aluminum Straight - Black Matte	\$355
Aluminum Straight - Match Frame Color	\$405
Aluminum Adjustable Fender with Foam Pad - Black Matte	\$365
<i>Not available with Adjustable Depth greater than 1/2"</i>	
Aluminum Adjustable Fender with Foam Pad - Match Frame Color	\$405
<i>Not available with Adjustable Depth greater than 1/2"</i>	
Carbon Fiber Adjustable Fender - Direct Mount Receiver	\$595
<i>Not available with Adjustable Depth greater than 1/2"</i>	

### Clamp-On Mount Side Guards

*Not available with T-Arms or Swing Away with Side Guard Armrests*

Composite Side Guards - Clamp-On Receiver	\$180
Aluminum Straight - Black Matte	\$385
Aluminum Straight - Match Frame Color	\$435
Aluminum Adjustable Fender with Foam Pad - Black Matte	\$395
Aluminum Adjustable Fender w/Foam Pad - Clamp-On Receiver - Match Frame Color	\$435
Carbon Fiber Adjustable Fender - Clamp-On Receiver	\$625

## Accessories

### Anti-Tips

Rear Anti-Tips	\$118
Omit	N/C

### Calf Strap

Velcro Adjustable	\$55
Padded Velcro Adjustable	\$85
Bodypoint Padded AeroMesh	\$134

### Pelvic Positioning Belt

1 1/2" Auto Buckle Pelvic Positioning Belt	\$80
1 1/2" Padded Auto Buckle Pelvic Positioning Belt	\$185
Small Bodypoint Evoflex (16-24")	\$225
Medium Bodypoint Evoflex (19-29")	\$225
Large Bodypoint Evoflex (25-37")	\$225

### Other Accessories

Tool Kit	\$60
Removable Underseat Pouch	\$75
Ki Mobility Backpack	\$90
Luggage Carrier	\$120
Black Neoprene Impact Guards	\$102
Under Chair Carrier and Removable Bag	\$85
<i>Not available with scissor locks</i>	
Cane and Crutch Holder	\$110

### Belt Mounting Kit

Ki Mobility Belt Mounting Clamp	\$50
Bodypoint Belt Mounting Bracket Kit	\$130

## Frame Color

### Gloss Finish

Black	N/C
Blue Skies	N/C
Bubblegum Pink	N/C
Candy Blue	N/C
Candy Purple	N/C
Candy Red	N/C
Copper	N/C
Granny Smith	N/C
Metallic Orange	N/C
Silver	N/C
Yellow	N/C

### Matte Finish

Charcoal Gray	N/C
Emerald Green	N/C
Iridescent Burgundy	N/C
Iridescent Navy	N/C
Military Green	N/C
Retro Red	N/C
Royal Blue	N/C
Shadow Black	N/C
Smooth White	N/C

## References

### A. Seat Width *See Diagram 1*

Measured from outside of frame tube on one side to outside of frame tube on other side.

### B. Seat Depth *See Diagram 3*

Measured from front of back posts to front edge of seat sling. Seat sling starts at beginning of bend at front of frame.

### C. Sling Position *See Diagram 2*

In Performance Position (0°), sling is at front of frame to keep chair shorter and more maneuverable. The 1" or 2" seat sling position extends the frame in front of the sling by that amount. Adding more frame can improve stability and provide support to aid in transfers.

### D. Front Frame Bend *See Diagram 3*

Angle between front seat tube and ground.

### E. Footrest Taper *See Diagram 1*

Indicates bend of front frame creating footrest. Taper is measured from outside of seat frame to outside of front tube.

### F. Front Seat Height *See Diagram 1*

Measured from floor to top of seat tube at front of seat sling.

### G. Footrest Width *See Diagram 1*

Measured from inside of front tube to inside of front tube on other side. Footrest width is listed below for each seat width and taper.

Seat Width	Straight	1" Taper	2" Taper
Outside Measurement	2" Narrower than Seat Width	4" Narrower than Seat Width	6" Narrower than Seat Width
14"	11.5"	9.5"	
15"	12.5"	10.5"	
16"	13.5"	11.5"	9.5"
17"	14.5"	12.5"	10.5"
18"	15.5"	13.5"	11.5"
19"	16.5"	14.5"	12.5"
20"	17.5"	15.5"	13.5"
21"	18.5"	16.5"	14.5"
22"	19.5"	17.5"	15.5"

### H. Seat to Footrest Length *See Diagram 3*

Measured from front edge of seat sling to top rear of footrest. Footrest length of at least 2.5" shorter than front seat height recommended.

### I. Rear Seat Height *See Diagram 3*

Measured from floor to top of seat tube at front of back post. Rear seat height is custom to needs.

### J. Center of Gravity Preset *See Diagram 3*

Measured from front of back post to center of rear axle. 0" indicates axle will be directly under back post.

### K. Rear Wheel Spacing *See Diagram 1*

Measured from outside of seat back to inside of rear tire. Adjustable out .5" from setting.

Diagram 1

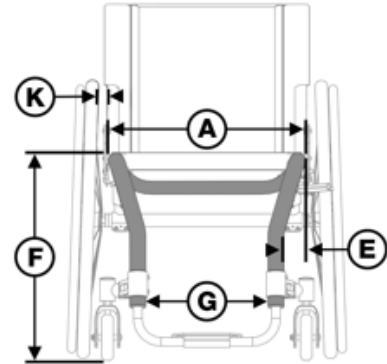


Diagram 2

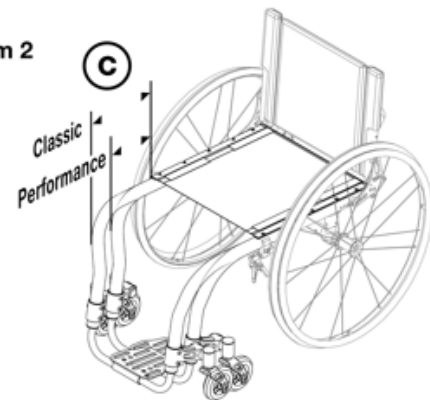
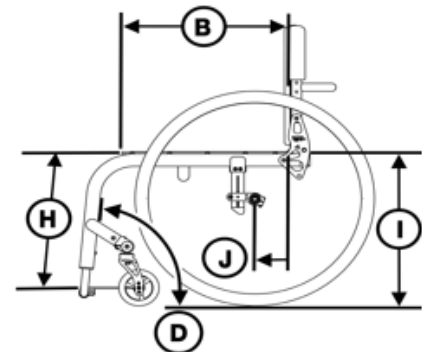


Diagram 3



## Axiom G

Weight capacity: 350 lbs

		Width							
		14"	15"	16"	17"	18"	19"	20"	22"
Retail		\$218	\$218	\$218	\$218	\$218	\$218	\$218	\$307
Depth	14"	XG1414							
	15"	XG1415	XG1515	XG1615					
	16"	XG1416	XG1516	XG1616	XG1716	XG1816	XG1916	XG2016	
	17"	XG1417	XG1517	XG1617	XG1717	XG1817	XG1917	XG2017	
	18"	XG1418	XG1518	XG1618	XG1718	XG1818	XG1918	XG2018	XG2218
	19"		XG1519	XG1619	XG1719	XG1819	XG1919	XG2019	XG2219
	20"		XG1520	XG1620	XG1720	XG1820	XG1920	XG2020	XG2220
	21"			XG1621		XG1821	XG1921	XG2021	XG2221
	22"			XG1622		XG1822	XG1922	XG2022	XG2222

## Axiom G - General Use Cushion with Extra Outer Cover

Weight capacity: 350 lbs

		Width							
		14"	15"	16"	17"	18"	19"	20"	22"
Retail		\$331	\$331	\$331	\$331	\$331	\$331	\$331	\$420
Depth	14"	XG1414C2							
	15"	XG1415C2	XG1515C2	XG1615C2					
	16"	XG1416C2	XG1516C2	XG1616C2	XG1716C2	XG1816C2	XG1916C2	XG2016C2	
	17"	XG1417C2	XG1517C2	XG1617C2	XG1717C2	XG1817C2	XG1917C2	XG2017C2	
	18"	XG1418C2	XG1518C2	XG1618C2	XG1718C2	XG1818C2	XG1918C2	XG2018C2	XG2218C2
	19"		XG1519C2	XG1619C2	XG1719C2	XG1819C2	XG1919C2	XG2019C2	XG2219C2
	20"		XG1520C2	XG1620C2	XG1720C2	XG1820C2	XG1920C2	XG2020C2	XG2220C2
	21"			XG1621C2		XG1821C2	XG1921C2	XG2021C2	XG2221C2
	22"			XG1622C2		XG1822C2	XG1922C2	XG2022C2	XG2222C2

## Axiom S - Skin Protection Cushion

Weight capacity: 350 lbs

		Width							22"
		14"	15"	16"	17"	18"	19"	20"	
Retail		\$331	\$331	\$331	\$331	\$331	\$331	\$331	\$457
Depth	14"	XS1414							
	15"	XS1415	XS1515	XS1615					
	16"	XS1416	XS1516	XS1616	XS1716	XS1816	XS1916	XS2016	
	17"	XS1417	XS1517	XS1617	XS1717	XS1817	XS1917	XS2017	
	18"	XS1418	XS1518	XS1618	XS1718	XS1818	XS1918	XS2018	XS2218
	19"		XS1519	XS1619	XS1719	XS1819	XS1919	XS2019	XS2219
	20"		XS1520	XS1620	XS1720	XS1820	XS1920	XS2020	XS2220
	21"			XS1621		XS1821	XS1921	XS2021	XS2221
	22"			XS1622		XS1822	XS1922	XS2022	XS2222

## Axiom S - Skin Protection Cushion with Extra Outer Cover

Weight capacity: 350 lbs

		Width							22"
		14"	15"	16"	17"	18"	19"	20"	
Retail		\$444	\$444	\$444	\$444	\$444	\$444	\$444	\$570
Depth	14"	XS1414C2							
	15"	XS1415C2	XS1515C2	XS1615C2					
	16"	XS1416C2	XS1516C2	XS1616C2	XS1716C2	XS1816C2	XS1916C2	XS2016C2	
	17"	XS1417C2	XS1517C2	XS1617C2	XS1717C2	XS1817C2	XS1917C2	XS2017C2	
	18"	XS1418C2	XS1518C2	XS1618C2	XS1718C2	XS1818C2	XS1918C2	XS2018C2	XS2218C2
	19"		XS1519C2	XS1619C2	XS1719C2	XS1819C2	XS1919C2	XS2019C2	XS2219C2
	20"		XS1520C2	XS1620C2	XS1720C2	XS1820C2	XS1920C2	XS2020C2	XS2220C2
	21"			XS1621C2		XS1821C2	XS1921C2	XS2021C2	XS2221C2
	22"			XS1622C2		XS1822C2	XS1922C2	XS2022C2	XS2222C2

## Axiom P - Positioning Cushion

Weight capacity: 350 lbs

		Width							22"
		14"	15"	16"	17"	18"	19"	20"	
Retail		\$673	\$673	\$673	\$673	\$673	\$673	\$673	\$812
Depth	14"	XP1414							
	15"	XP1415	XP1515	XP1615					
	16"	XP1416	XP1516	XP1616	XP1716	XP1816	XP1916	XP2016	
	17"	XP1417	XP1517	XP1617	XP1717	XP1817	XP1917	XP2017	
	18"	XP1418	XP1518	XP1618	XP1718	XP1818	XP1918	XP2018	XP2218
	19"		XP1519	XP1619	XP1719	XP1819	XP1919	XP2019	XP2219
	20"		XP1520	XP1620	XP1720	XP1820	XP1920	XP2020	XP2220
	21"			XP1621		XP1821	XP1921	XP2021	XP2221
	22"			XP1622		XP1822	XP1922	XP2022	XP2222



## Axiom P - Positioning Cushion with Extra Outer Cover

Weight capacity: 350 lbs

		Width							
		14"	15"	16"	17"	18"	19"	20"	22"
Retail		\$786	\$786	\$786	\$786	\$786	\$786	\$786	\$925
Depth	14"	XP1414C2							
	15"	XP1415C2	XP1515C2	XP1615C2					
	16"	XP1416C2	XP1516C2	XP1616C2	XP1716C2	XP1816C2	XP1916C2	XP2016C2	
	17"	XP1417C2	XP1517C2	XP1617C2	XP1717C2	XP1817C2	XP1917C2	XP2017C2	
	18"	XP1418C2	XP1518C2	XP1618C2	XP1718C2	XP1818C2	XP1918C2	XP2018C2	XP2218C2
	19"		XP1519C2	XP1619C2	XP1719C2	XP1819C2	XP1919C2	XP2019C2	XP2219C2
	20"		XP1520C2	XP1620C2	XP1720C2	XP1820C2	XP1920C2	XP2020C2	XP2220C2
	21"			XP1621C2		XP1821C2	XP1921C2	XP2021C2	XP2221C2
	22"			XP1622C2		XP1822C2	XP1922C2	XP2022C2	XP2222C2

## Axiom SP Visco - Skin Protection & Positioning Cushion

Weight capacity: 350 lbs

		Width								
		14"	15"	16"	17"	18"	19"	20"	21"	22"
Retail		\$745	\$745	\$745	\$745	\$745	\$745	\$745	\$906	\$906
Depth	14"	XSP1414V								
	15"	XSP1415V	XSP1515V	XSP1615V						
	16"	XSP1416V	XSP1516V	XSP1616V	XSP1716V	XSP1816V	XSP1916V	XSP2016V		XSP2216V
	17"	XSP1417V	XSP1517V	XSP1617V	XSP1717V	XSP1817V	XSP1917V	XSP2017V		XSP2217V
	18"	XSP1418V	XSP1518V	XSP1618V	XSP1718V	XSP1818V	XSP1918V	XSP2018V	XSP2118V	XSP2218V
	19"		XSP1519V	XSP1619V	XSP1719V	XSP1819V	XSP1919V	XSP2019V	XSP2119V	XSP2219V
	20"		XSP1520V	XSP1620V	XSP1720V	XSP1820V	XSP1920V	XSP2020V	XSP2120V	XSP2220V
	21"			XSP1621V		XSP1821V	XSP1921V	XSP2021V	XSP2121V	XSP2221V
	22"			XSP1622V		XSP1822V	XSP1922V	XSP2022V	XSP2122V	XSP2222V

## Axiom SP Visco - Skin Protection & Positioning Cushion with Extra Outer Cover

Weight capacity: 350 lbs

		Width								
		14"	15"	16"	17"	18"	19"	20"	21"	22"
Retail		\$902	\$902	\$902	\$902	\$902	\$902	\$902	\$1063	\$1063
Depth	14"	XSP1414VC2								
	15"	XSP1415VC2	XSP1515VC2	XSP1615VC2						
	16"	XSP1416VC2	XSP1516VC2	XSP1616VC2	XSP1716VC2	XSP1816VC2	XSP1916VC2	XSP2016VC2		XSP2216VC2
	17"	XSP1417VC2	XSP1517VC2	XSP1617VC2	XSP1717VC2	XSP1817VC2	XSP1917VC2	XSP2017VC2		XSP2217VC2
	18"	XSP1418VC2	XSP1518VC2	XSP1618VC2	XSP1718VC2	XSP1818VC2	XSP1918VC2	XSP2018VC2	XSP2118VC2	XSP2218VC2
	19"		XSP1519VC2	XSP1619VC2	XSP1719VC2	XSP1819VC2	XSP1919VC2	XSP2019VC2	XSP2119VC2	XSP2219VC2
	20"		XSP1520VC2	XSP1620VC2	XSP1720VC2	XSP1820VC2	XSP1920VC2	XSP2020VC2	XSP2120VC2	XSP2220VC2
	21"			XSP1621VC2		XSP1821VC2	XSP1921VC2	XSP2021VC2	XSP2121VC2	XSP2221VC2
	22"			XSP1622VC2		XSP1822VC2	XSP1922VC2	XSP2022VC2	XSP2122VC2	XSP2222VC2

## Axiom SP Fluid - Skin Protection & Positioning Cushion

Weight capacity: 350 lbs

		Width								
		14"	15"	16"	17"	18"	19"	20"	21"	22"
Retail		\$765	\$765	\$765	\$765	\$765	\$765	\$765	\$910	\$910
Depth	14"	XSP1414F								
	15"	XSP1415F	XSP1515F	XSP1615F						
	16"	XSP1416F	XSP1516F	XSP1616F	XSP1716F	XSP1816F	XSP1916F	XSP2016F		XSP2216F
	17"	XSP1417F	XSP1517F	XSP1617F	XSP1717F	XSP1817F	XSP1917F	XSP2017F		XSP2217F
	18"	XSP1418F	XSP1518F	XSP1618F	XSP1718F	XSP1818F	XSP1918F	XSP2018F	XSP2118F	XSP2218F
	19"		XSP1519F	XSP1619F	XSP1719F	XSP1819F	XSP1919F	XSP2019F	XSP2119F	XSP2219F
	20"		XSP1520F	XSP1620F	XSP1720F	XSP1820F	XSP1920F	XSP2020F	XSP2120F	XSP2220F
	21"			XSP1621F		XSP1821F	XSP1921F	XSP2021F	XSP2121F	XSP2221F
	22"			XSP1622F		XSP1822F	XSP1922F	XSP2022F	XSP2122F	XSP2222F

## Axiom SP Fluid - Skin Protection & Positioning Cushion with Extra Outer Cover

Weight capacity: 350 lbs

		Width								
		14"	15"	16"	17"	18"	19"	20"	21"	22"
Retail		\$922	\$922	\$922	\$922	\$922	\$922	\$922	\$1067	\$1067
Depth	14"	XSP1414FC2								
	15"	XSP1415FC2	XSP1515FC2	XSP1615FC2						
	16"	XSP1416FC2	XSP1516FC2	XSP1616FC2	XSP1716FC2	XSP1816FC2	XSP1916FC2	XSP2016FC2		XSP2216FC2
	17"	XSP1417FC2	XSP1517FC2	XSP1617FC2	XSP1717FC2	XSP1817FC2	XSP1917FC2	XSP2017FC2		XSP2217FC2
	18"	XSP1418FC2	XSP1518FC2	XSP1618FC2	XSP1718FC2	XSP1818FC2	XSP1918FC2	XSP2018FC2	XSP2118FC2	XSP2218FC2
	19"		XSP1519FC2	XSP1619FC2	XSP1719FC2	XSP1819FC2	XSP1919FC2	XSP2019FC2	XSP2119FC2	XSP2219FC2
	20"		XSP1520FC2	XSP1620FC2	XSP1720FC2	XSP1820FC2	XSP1920FC2	XSP2020FC2	XSP2120FC2	XSP2220FC2
	21"			XSP1621FC2		XSP1821FC2	XSP1921FC2	XSP2021FC2	XSP2121FC2	XSP2221FC2
	22"			XSP1622FC2		XSP1822FC2	XSP1922FC2	XSP2022FC2	XSP2122FC2	XSP2222FC2

## Axiom AS - Adjustable Skin Protection Cushion

Weight capacity: 350 lbs

		Width								
		14"	15"	16"	17"	18"	19"	20"	21"	22"
Retail		\$1085	\$1085	\$1085	\$1085	\$1085	\$1085	\$1085	\$1155	\$1155
Height	14"	XAS1414	XAS1514	XAS1614						
	15"	XAS1415	XAS1515	XAS1615	XAS1715					
	16"	XAS1416	XAS1516	XAS1616	XAS1716	XAS1816	XAS1916	XAS2016		XAS2216
	17"	XAS1417	XAS1517	XAS1617	XAS1717	XAS1817	XAS1917	XAS2017		XAS2217
	18"	XAS1418	XAS1518	XAS1618	XAS1718	XAS1818	XAS1918	XAS2018	XAS2118	XAS2218
	19"	XAS1419	XAS1519	XAS1619	XAS1719	XAS1819	XAS1919	XAS2019	XAS2119	XAS2219
	20"	XAS1420	XAS1520	XAS1620	XAS1720	XAS1820	XAS1920	XAS2020	XAS2120	XAS2220
	21"		XAS1521	XAS1621	XAS1721	XAS1821	XAS1921	XAS2021	XAS2121	XAS2221
	22"		XAS1522	XAS1622	XAS1722	XAS1822	XAS1922	XAS2022	XAS2122	XAS2222

## Axiom AS - Adjustable Skin Protection Cushion with Extra Outer Cover

Weight capacity: 350 lbs

		Width								
		14"	15"	16"	17"	18"	19"	20"	21"	22"
Retail		\$1249	\$1249	\$1249	\$1249	\$1249	\$1249	\$1249	\$1319	\$1319
Height	14"	XAS1414C2	XAS1514C2	XAS1614C2						
	15"	XAS1415C2	XAS1515C2	XAS1615C2	XAS1715C2					
	16"	XAS1416C2	XAS1516C2	XAS1616C2	XAS1716C2	XAS1816C2	XAS1916C2	XAS2016C2		XAS2216C2
	17"	XAS1417C2	XAS1517C2	XAS1617C2	XAS1717C2	XAS1817C2	XAS1917C2	XAS2017C2		XAS2217C2
	18"	XAS1418C2	XAS1518C2	XAS1618C2	XAS1718C2	XAS1818C2	XAS1918C2	XAS2018C2	XAS2118C2	XAS2218C2
	19"	XAS1419C2	XAS1519C2	XAS1619C2	XAS1719C2	XAS1819C2	XAS1919C2	XAS2019C2	XAS2119C2	XAS2219C2
	20"	XAS1420C2	XAS1520C2	XAS1620C2	XAS1720C2	XAS1820C2	XAS1920C2	XAS2020C2	XAS2120C2	XAS2220C2
	21"		XAS1521C2	XAS1621C2	XAS1721C2	XAS1821C2	XAS1921C2	XAS2021C2	XAS2121C2	XAS2221C2
	22"		XAS1522C2	XAS1622C2	XAS1722C2	XAS1822C2	XAS1922C2	XAS2022C2	XAS2122C2	XAS2222C2

## Axiom ASP - Adjustable Skin Protection & Positioning Cushion

Weight capacity: 350 lbs

		Width								
		14"	15"	16"	17"	18"	19"	20"	21"	22"
Retail		\$1125	\$1125	\$1125	\$1125	\$1125	\$1125	\$1125	\$1195	\$1195
Height	14"	XASP1414	XASP1514	XASP1614						
	15"	XASP1415	XASP1515	XASP1615	XASP1715	XASP1815				
	16"	XASP1416	XASP1516	XASP1616	XASP1716	XASP1816	XASP1916	XASP2016		XASP2216
	17"	XASP1417	XASP1517	XASP1617	XASP1717	XASP1817	XASP1917	XASP2017		XASP2217
	18"	XASP1418	XASP1518	XASP1618	XASP1718	XASP1818	XASP1918	XASP2018	XASP2118	XASP2218
	19"	XASP1419	XASP1519	XASP1619	XASP1719	XASP1819	XASP1919	XASP2019	XASP2119	XASP2219
	20"	XASP1420	XASP1520	XASP1620	XASP1720	XASP1820	XASP1920	XASP2020	XASP2120	XASP2220
	21"		XASP1521	XASP1621	XASP1721	XASP1821	XASP1921	XASP2021	XASP2121	XASP2221
	22"		XASP1522	XASP1622	XASP1722	XASP1822	XASP1922	XASP2022	XASP2122	XASP2222

## Axiom ASP - Adjustable Skin Protection & Positioning Cushion with Extra Outer Cover

Weight capacity: 350 lbs

		Width								
		14"	15"	16"	17"	18"	19"	20"	21"	22"
Retail		\$1289	\$1289	\$1289	\$1289	\$1289	\$1289	\$1289	\$1359	\$1359
Height	14"	XASP1414C2	XASP1514C2	XASP1614C2						
	15"	XASP1415C2	XASP1515C2	XASP1615C2	XASP1715C2	XASP1815C2				
	16"	XASP1416C2	XASP1516C2	XASP1616C2	XASP1716C2	XASP1816C2	XASP1916C2	XASP2016C2		XASP2216C2
	17"	XASP1417C2	XASP1517C2	XASP1617C2	XASP1717C2	XASP1817C2	XASP1917C2	XASP2017C2		XASP2217C2
	18"	XASP1418C2	XASP1518C2	XASP1618C2	XASP1718C2	XASP1818C2	XASP1918C2	XASP2018C2	XASP2118C2	XASP2218C2
	19"	XASP1419C2	XASP1519C2	XASP1619C2	XASP1719C2	XASP1819C2	XASP1919C2	XASP2019C2	XASP2119C2	XASP2219C2
	20"	XASP1420C2	XASP1520C2	XASP1620C2	XASP1720C2	XASP1820C2	XASP1920C2	XASP2020C2	XASP2120C2	XASP2220C2
	21"		XASP1521C2	XASP1621C2	XASP1721C2	XASP1821C2	XASP1921C2	XASP2021C2	XASP2121C2	XASP2221C2
	22"		XASP1522C2	XASP1622C2	XASP1722C2	XASP1822C2	XASP1922C2	XASP2022C2	XASP2122C2	XASP2222C2

**AS & ASP Modifications**

*Extended lead times will apply. Makes cushion non-refundable*

**Rail Cut**

XASNR

Bilateral Angled Seat Rail Relief Cut \_\_\_\_\_ N/C

**Notch for Back Posts**

XASNB

2" x 2" Bilateral Rear Notch for Back Post Clearance \_\_\_\_\_ N/C

**Axiom Air LTE - General Use Air Cushion**

*Weight capacity: 315 lbs*

		Width			
		16"		18"	
		Cushion w/ Standard Cover	Cushion w/ Extra Standard Cover	Cushion w/ Standard Cover	Cushion w/ Extra Standard Cover
Retail		\$229	\$349	\$229	\$349
Depth	16"	XLTE1616	XLTE1616C2	XLTE1816	XLTE1816C2
	18"	XLTE1618	XLTE1618C2	XLTE1818	XLTE1818C2

**Seating Accessories**

Axiom Solid Seat Insert \_\_\_\_\_ \$87

## Star Stabil-Air Cushions

### Star Stabil-Air Cushion (3" Tall Cells) and Extra Standard / Incontinent Cover

		Width																		
		13.5"			15.5"			17.25"			19.25"			21"			22.75"			
		Cushion	Cover		Cushion	Cover		Cushion	Cover		Cushion	Cover		Cushion	Cover		Cushion	Cover		
		Standard	Incontinent	Standard	Incontinent	Standard	Incontinent	Standard	Incontinent	Standard	Incontinent	Standard	Incontinent	Standard	Incontinent	Standard	Incontinent	Standard	Incontinent	
Retail	N/C	\$89	\$103	N/C	\$89	\$103	N/C	\$89	\$103	N/C	\$89	\$103	N/C	\$89	\$103	N/C	\$117	\$132		
HCPCS	E2622			E2622			E2622			E2622			E2622			E2623				
Height	13.5"																			
	15.5"																			
	17.25"																			
	19.25"																			
	21"																			

### Star Stabil-Air Cushion (4" Tall Cells) and Extra Standard / Incontinent Cover

		Width																		
		13.5"			15.5"			17.25"			19.25"			21"			22.75"			
		Cushion	Cover		Cushion	Cover		Cushion	Cover		Cushion	Cover		Cushion	Cover		Cushion	Cover		
		Standard	Incontinent	Standard	Incontinent	Standard	Incontinent	Standard	Incontinent	Standard	Incontinent	Standard	Incontinent	Standard	Incontinent	Standard	Incontinent	Standard	Incontinent	
Retail	N/C	\$89	\$103	N/C	\$89	\$103	N/C	\$89	\$103	N/C	\$89	\$103	N/C	\$89	\$103	N/C	\$117	\$132		
HCPCS	E2622			E2622			E2622			E2622			E2622			E2623				
Height	13.5"																			
	15.5"																			
	17.25"																			
	19.25"																			
	21"																			

## Star Standard Air Cushions

### Star Standard Air Cushion (2" Tall Cells) w/ Incontinent Cover

		Width																	
		13.5"			15.5"			17.25"			19.25"			21"			22.75"		
		Cushion	Cover		Cushion	Cover		Cushion	Cover		Cushion	Cover		Cushion	Cover		Cushion	Cover	
	Standard	Incontinent	Standard	Incontinent	Standard	Incontinent	Standard	Incontinent	Standard	Incontinent	Standard	Incontinent	Standard	Incontinent	Standard	Incontinent	Standard	Incontinent	
Retail	N/C	\$89	\$103	N/C	\$89	\$103	N/C	\$89	\$103	N/C	\$89	\$103	N/C	\$89	\$103	N/C	\$117	\$132	
HCPCS	E2622			E2622			E2622			E2622			E2622			E2623			
Height	13.5"																		
	15.5"																		
	17.25"																		
	19.25"																		
	21"																		

### Star Standard Air Cushion (3" Tall Cells) w/ Incontinent Cover

		Width														
		13.5"			15.5"			17.25"			19.25"			21"		
		Cushion w/ Inco Cover	Extra Cover		Cushion w/ Inco Cover	Extra Cover		Cushion w/ Inco Cover	Extra Cover		Cushion w/ Inco Cover	Extra Cover		Cushion w/ Inco Cover	Extra Cover	
	Standard	Incontinent	Standard	Incontinent	Standard	Incontinent	Standard	Incontinent	Standard	Incontinent	Standard	Incontinent	Standard	Incontinent		
Retail	\$947	\$89	\$103	\$947	\$89	\$103	\$947	\$89	\$103	\$947	\$89	\$103	\$947	\$89	\$103	
Height	13.5"															
	15.5"															
	17.25"															
	19.25"															
	21"															

### Star Standard Air Cushion (4" Tall Cells) w/ Incontinent Cover

		Width																	
		13.5"			15.5"			17.25"			19.25"			21"			22.75"		
		Cushion	Cover		Cushion	Cover		Cushion	Cover		Cushion	Cover		Cushion	Cover		Cushion	Cover	
	Standard	Incontinent	Standard	Incontinent	Standard	Incontinent	Standard	Incontinent	Standard	Incontinent	Standard	Incontinent	Standard	Incontinent	Standard	Incontinent	Standard	Incontinent	
Retail	N/C	\$89	\$103	N/C	\$89	\$103	N/C	\$89	\$103	N/C	\$89	\$103	N/C	\$89	\$103	N/C	\$89	\$132	
HCPCS	E2622			E2622			E2622			E2622			E2622			E2622			
Height	13.5"																		
	15.5"																		
	17.25"																		
	19.25"																		
	21"																		



## Star Standard Air Cushions Dual Valve

### Star Standard Air Cushion Dual Valve (4" Tall Cells) w/ Incontinent Cover

		Width														
		13.5"			15.5"			17.25"			19.25"			21"		
		Cushion w/ Inco Cover	Extra Cover		Cushion w/ Inco Cover	Extra Cover		Cushion w/ Inco Cover	Extra Cover		Cushion w/ Inco Cover	Extra Cover		Cushion w/ Inco Cover	Extra Cover	
Standard	Incontinent		Standard	Incontinent		Standard	Incontinent		Standard	Incontinent		Standard	Incontinent			
Retail		\$947	\$89	\$103	\$947	\$89	\$103	\$947	\$89	\$103	\$947	\$89	\$103	\$947	\$89	\$103
Height	13.5"															
	15.5"															
	17.25"															
	19.25"															
	21"															

Axiom Back Width	Fits Back Frame Widths	
	Inner Slots	Outer Slots
12" (30.5cm)	11" (28.0cm)	12" -14" (30.5cm -35.5cm)
14" (35.5cm)	12" -13" (30.5cm -33.0cm)	14" -16" (35.5cm -40.5cm)
16" (40.5cm)	14" -15" (35.5cm -38.0cm)	16" -18" (40.5cm -45.5cm)
18" (45.5cm)	16" - 17" (40.5cm - 43.0cm)	18" - 20" (45.5cm - 50.5cm)
20" (51.0cm)	18" -19" (46.0cm -48.5cm)	20" -22" (50.5cm -55.5cm)
22" (56.0cm)	20" -21" (51.0cm -53.5cm)	22" -24" (56.0cm -61.0cm)

Hardware Description	Code
Improved DEX Hardware, removable adjustable hardware (300 lb max user weight)	<b>DEX</b>
New BTX Hardware, removable adjustable hardware not recommended for, or installed on Ultralight Rigid Frame Wheelchairs (400 lb max user weight)	<b>BTX</b>
New Fixed Hardware, non-removeable hardware up to (300 lb max user weight)	<b>FXT</b>



## Axiom Back

Hardware is included with back. Low Back selections are not available with headrests, modifications, or posture supports. Weight capacity: 300 lbs.

### Axiom Posterior Back (PB)

		Width						
		12"	14"	16"	18"	20"	22"	
Retail		\$871	\$871	\$871	\$871	\$871	\$1311	
HCPC		E2613	E2613	E2613	E2613	E2613	E2614	
Height	Low	8"	AXPB1208	AXPB1408	AXPB1608	AXPB1808	AXPB2008	
		10"		AXPB1410	AXPB1610	AXPB1810	AXPB2010	AXPB2210
		12"	AXPB1212	AXPB1412	AXPB1612	AXPB1812	AXPB2012	
	Mid	14"		AXPB1414	AXPB1614	AXPB1814	AXPB2014	AXPB2214
		16"	AXPB1216	AXPB1416	AXPB1616	AXPB1816	AXPB2016	
		18"		AXPB1418	AXPB1618	AXPB1818	AXPB2018	AXPB2218

### Back Hardware

DEX Hardware    BTX Hardware    FXT Hardware    \_\_\_\_\_ N/C



### Lateral Support for AXPB Backs

Pair	Description	Item Code	HCPC	Pair
	3 x 4 Lateral Pads with Fixed Mounting Hardware - Pair (E0956)	PBLF3x4PP	E0956	\$436
	4 x 5 Lateral Pads with Fixed Mounting Hardware - Pair (E0956)	PBLF4x5PP	E0956	\$436
	3 x 4 Lateral Pads with Swing Away Mounting Hardware - Pair (E0956,E1028)	PBLS3X4PP	E0956, E1028	\$929
	4 x 5 Lateral Pads with Swing Away Mounting Hardware - Pair (E0956,E1028)	PBLS4x5PP	E0956, E1028	\$929
	3 x 4 Lateral Pads with Adjustable Swing Away Mounting Hardware - Pair (E0956,E1028)	PBLAS3X4PP	E0956, E1028	\$1129
	4 x 5 Lateral Pads with Adjustable Swing Away Mounting Hardware - Pair (E0956,E1028)	PBLAS3X4PP	E0956, E1028	\$1129

### Axiom Posterior Lateral Back (PL)

		Width						
		12"	14"	16"	18"	20"	22"	
Retail		\$1006	\$1006	\$1006	\$1006	\$1006	\$1397	
HCPC		E2615	E2615	E2615	E2615	E2615	E2616	
Height	Low	8"	AXPL1208	AXPL1408	AXPL1608	AXPL1808	AXPL2008	
		10"		AXPL1410	AXPL1610	AXPL1810	AXPL2010	AXPL2210
		12"	AXPL1212	AXPL1412	AXPL1612	AXPL1812	AXPL2012	
	Mid	14"		AXPL1414	AXPL1614	AXPL1814	AXPL2014	AXPL2214
		16"	AXPL1216	AXPL1416	AXPL1616	AXPL1816	AXPL2016	
		18"		AXPL1418	AXPL1618	AXPL1818	AXPL2018	AXPL2218
	Tall	20"	AXPL1220	AXPL1420	AXPL1620	AXPL1820	AXPL2020	
		22"		AXPL1422	AXPL1622	AXPL1822	AXPL2022	AXPL2222

### Back Hardware

DEX Hardware    BTX Hardware    FXT Hardware    \_\_\_\_\_ N/C

### Lateral Support for AXPL Backs

Pair	Description	Item Code	HCPC	Pair
	3 x 4 Lateral Pads with Fixed Mounting Hardware - Pair (E0956)	PLLF3x4PP	E0956	\$436
	4 x 5 Lateral Pads with Fixed Mounting Hardware - Pair (E0956)	PLLF4x5PP	E0956	\$436
	3 x 4 Lateral Pads with Swing Away Mounting Hardware - Pair (E0956,E1028)	PLLS3x4PP	E0956, E1028	\$929
	4 x 5 Lateral Pads with Swing Away Mounting Hardware - Pair (E0956,E1028)	PLLS4x5PP	E0956, E1028	\$929
	3 x 4 Lateral Pads with Adjustable Swing Away Mounting Hardware - Pair (E0956,E1028)	PLLAS3x4PP	E0956, E1028	\$1129
	4 x 5 Lateral Pads with Adjustable Swing Away Mounting Hardware - Pair (E0956,E1028)	PLLAS4x5PP	E0956, E1028	\$1129

### Axiom Deep Lateral Back (DL)

		Width						
		12"	14"	16"	18"	20"	22"	
Retail		\$1216	\$1216	\$1216	\$1216	\$1216	\$1413	
Height	Mid	14"	AXDL1214	AXDL1414	AXDL1614	AXDL1814	AXDL2014	AXDL2214
		16"		AXDL1416	AXDL1616	AXDL1816	AXDL2016	
		18"	AXDL1218	AXDL1418	AXDL1618	AXDL1818	AXDL2018	AXDL2218
	Tall	20"	AXDL1220	AXDL1420	AXDL1620	AXDL1820	AXDL2020	
		22"		AXDL1422	AXDL1622	AXDL1822	AXDL2022	AXDL2222

### Back Hardware

DEX Hardware    BTX Hardware    FXT Hardware    \_\_\_\_\_ N/C

**Headrest**

Description	Std. Straight Removable Adjustable Hardware		Multi-Axis Removable Adjustable Hardware		Posalinc Removable Adjustable Hardware		HCPCS
	Item Code	Retail	Item Code	Retail	Item Code	Retail	
Comfort Soft Headrest 8"	CS08SS	\$484.29	CS08MA	\$514.29	CS08PL	\$722.86	E0955 / E1028
Comfort Soft Headrest 10"	CS10SS	\$484.29	CS10MA	\$514.29	CS10PL	\$722.86	E0955 / E1028
Comfort Soft Headrest 14"	CS14SS	\$484.29	CS14MA	\$514.29	CS14PL	\$722.86	E0955 / E1028
Contour Positioning Pad, 8" X 6.25"	CP08SS	\$484.29	CP08MA	\$514.29	CP08PL	\$722.86	E0955 / E1028
Contour Positioning Pad, 9" X 6.5"	CP09SS	\$484.29	CP09MA	\$514.29	CP09PL	\$722.86	E0955 / E1028
Contour Positioning Pad, 10" X 7.5"	CP10SS	\$484.29	CP10MA	\$514.29	CP10PL	\$722.86	E0955 / E1028
Tri-soft Headrest 10"	TS10SS	\$484.29	TS10MA	\$514.29	TS10PL	\$722.86	E0955 / E1028
Tri-soft Headrest 14"	TS14SS	\$484.29	TS14MA	\$514.29	TS14PL	\$722.86	E0955 / E1028

Description	Item Code	Retail	HCPCS
Universal Headrest Mounting Plate	UMP	\$50	K0108

*Not required for Axiom Headrests*

**Anterior Thoracic Supports**

*Selection of a modification from the Axiom Back Modifications section required in order to mount posture supports. Not available with Low Backs.*

Anterior Thoracic Supports		
Description	Item Code	Retail
Dynaform Chest Support: 2-Piece with Hook&Loop, 3" High Pad, Small	14941	\$172.86
Dynaform Chest Support: 2-Piece with Hook&Loop, 4" High Pad, Medium	14942	\$172.86
Dynaform Chest Support: 2-Piece with Hook&Loop, 5" High Pad, Large	14943	\$172.86
Dynaform Chest Support: 1-Piece with Buckle, 3" Height x 20" Width, Small	14924	\$142.86
Dynaform Chest Support: 1-Piece with Buckle, 4" Height x 20" Width, Medium	14927	\$142.86
Dynaform Chest Support: 1-Piece with Buckle, 4" Height x 22" Width, Large	14928	\$142.86
Dynaform Anterior Trunk Support: Standard, Dynamic, X-Small	14851	\$154
Dynaform Anterior Trunk Support: Standard, Dynamic, Small	14852	\$154
Dynaform Anterior Trunk Support: Standard, Dynamic, Medium	14853	\$154
Dynaform Anterior Trunk Support: Standard, Dynamic, Large	14854	\$154
Dynaform Anterior Trunk Support: Slim Cut, Dynamic, X-Small	14856	\$154
Dynaform Anterior Trunk Support: Slim Cut, Dynamic, Small	14857	\$154
Dynaform Anterior Trunk Support: Slim Cut, Dynamic, Medium	14858	\$154
Dynaform Anterior Trunk Support: Slim Cut, Dynamic, Large	14859	\$154
AirLogic Anterior Trunk Support: Standard, Structure, Small	14282	\$234.53
AirLogic Anterior Trunk Support: Standard, Structure, Medium	14283	\$234.53
AirLogic Anterior Trunk Support: Standard, Structure, Large	14284	\$234.53
AirLogic Anterior Trunk Support: Standard, Structure, X-Large	14285	\$234.53
AirLogic Anterior Trunk Support: Slim Cut, Dynamic, Small	14257	\$234.53
AirLogic Anterior Trunk Support: Slim Cut, Dynamic, Medium	14258	\$234.53
AirLogic Anterior Trunk Support: Slim Cut, Dynamic, Large	14259	\$234.53
AirLogic Anterior Trunk Support: Slim Cut, Dynamic, X-Large	14260	\$234.53

### Accessories

Adjustable Shoulder Guides (K0108) <i>Includes Anterior Thoracic Mounting Modification. Not available with Low Backs.</i>	\$136
Extra Lumbar Pad (K0108) <i>Available only with Axiom Lateral Back and Axiom Deep Lateral back</i>	\$71
Privacy Flap (K0108)	\$71

## Axiom Back Modifications

### Axiom Back Modifications

*Extended lead times will apply for all modifications. Makes back non-refundable.*

Anterior Thoracic Mounting Modification <i>Provides holes for Anterior Thoracic Supports and Shoulder Guides</i>	N/C
---	-----

### Gloss Finish

*If no selection is made, standard Shadow Black will be used with no additional lead time*

Black Back Shell	N/C
Blue Skies Back Shell	N/C
Bubblegum Pink Back Shell	N/C
Candy Blue Back Shell	N/C
Candy Purple Back Shell	N/C
Candy Red Back Shell	N/C
Copper Back Shell	N/C
Granny Smith Back Shell	N/C
Metallic Orange Back Shell	N/C
Yellow Back Shell	N/C
Silver Back Shell	N/C
Teal Back Shell	N/C

### Matte Finish

*If no selection is made, standard Shadow Black will be used with no additional lead time*

Military Green Back Shell	N/C
Charcoal Gray Back Shell	N/C
Emerald Green Back Shell	N/C
Iridescent Burgundy Back Shell	N/C
Iridescent Navy Back Shell	N/C
Retro Red Back Shell	N/C
Royal Blue Back Shell	N/C
Smooth White Back Shell	N/C