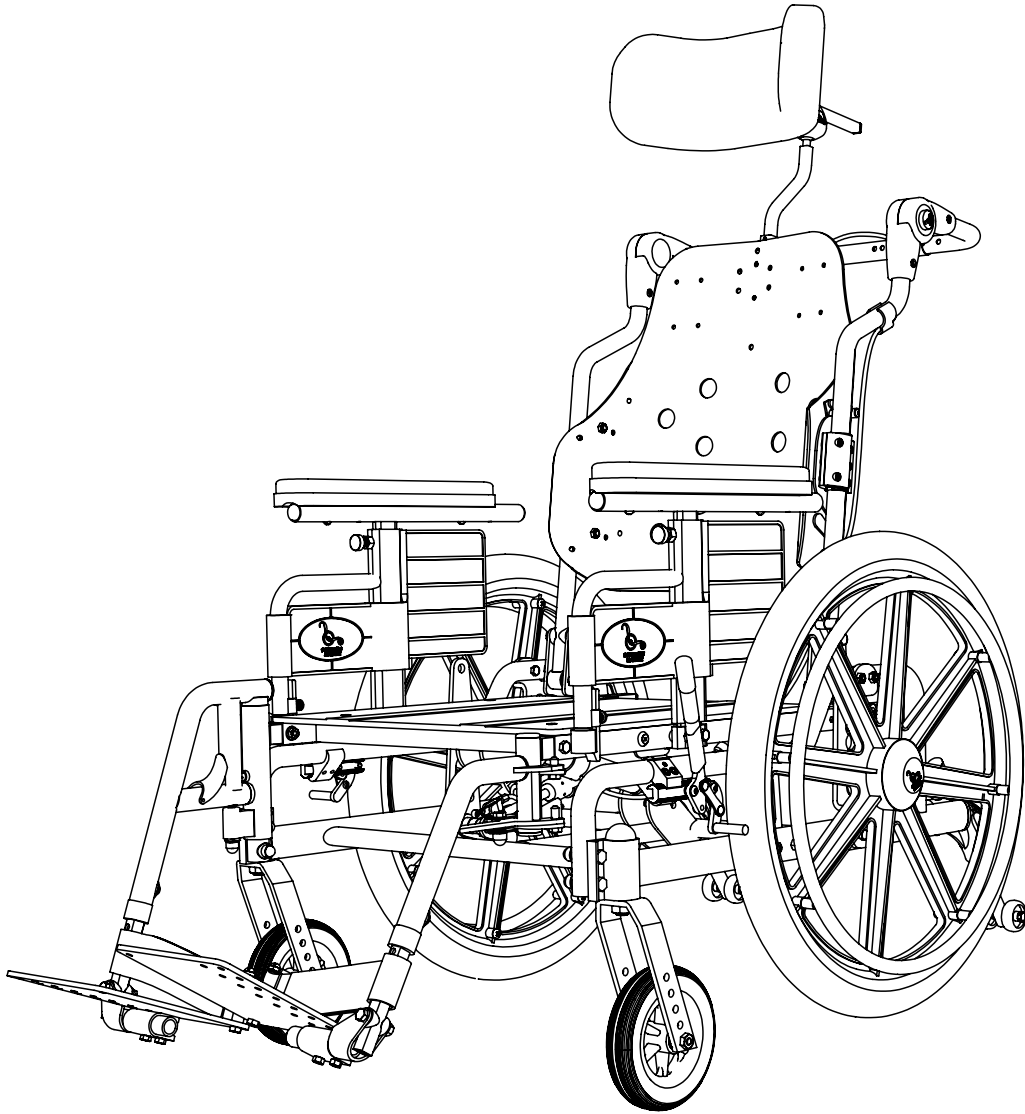


TILT

STP

# STP

## PARTS BOOK



# CONTENTS

## FRAMES

SUPERTILT PLUS - UPPER FRAME .....	6
SUPERTILT PLUS - UPPER FRAME (RECLINE) .....	8
SUPERTILT PLUS - UPPER FRAME (RECLINE) .....	9
SUPERTILT PLUS - LOWER FRAME .....	10
SUPERTILT PLUS - LOWER FRAME (INSIDE MOUNT) .....	12
SUPERTILT PLUS - LOWER FRAME (ATTENDANT BRAKE) .....	14

## SEATS

ABS SEAT PAN .....	16
AMPUTEE BOARD ON FOOTREST .....	18
AMPUTEE SEAT PAN .....	20

## ARMS

ARM REST - REGULAR .....	22
ARM REST - REGULAR SHORT .....	23
ARM REST - FLIP BACK .....	24
ARM REST - FLIP BACK SHORT .....	26
ARM TOP .....	28
ARM PADS .....	30
ARM BLOCK - STANDARD .....	31

## FOOTRESTS

PIVOT FOOTREST .....	32
PIN-STYLE FOOTREST .....	34
ELEVATING LEGREST PIVOT .....	36
ARTICULATING LEGREST PIVOT .....	38
ELEVATING LEGREST PIN-STYLE .....	40
ARTICULATING LEGREST PIN-STYLE .....	42
70 DEGREE PIVOT FOOTREST .....	44
ONE PIECE FOOT BOARD .....	45
PIVOT FOOTREST RECEIVER OFFSET .....	46
PIVOT FOOTREST RECEIVER .....	47
PIN-STYLE FOOTREST RECEIVER .....	48
GUARD COVERS .....	49
ELEVATING LEGREST SYSTEM ONE PIECE .....	50
FOOTBOX .....	52
FOOT POCKET .....	54

## HEADRESTS

MULTI AXIS NECK (S-BEND) .....	56
MULTI AXIS NECK (L-BEND) .....	57
VERTICAL HORIZONTAL NECK 1/2 .....	58
VERTICAL HORIZONTAL NECK 3/4 .....	59
VERTICAL HORIZONTAL MULTI-AXIS NECK 1/2 .....	60
HEADREST PADS .....	62
UNIVERSAL HEADREST MOUNT .....	63
HEADREST MOUNT 1/2 .....	64
HEADREST MOUNT 3/4 .....	65
STRAIGHT HEADREST MOUNTING BRACKET .....	66
LATERAL FIXED STANDARD .....	68
LATERAL FIXED SHORT .....	69
LATERAL FIXED LONG .....	70
LATERAL MULTI-AXIS 90 .....	71

## **SPREADER BARS**

SPREADER BAR - FIXED BAR, FIXED JOINT . . . . .	72
SPREADER BAR - ADJUSTABLE BAR & JOINT . . . . .	73
SPREADER BAR - ADJUSTABLE BAR & JOINT, RECLINE . . . . .	74
SPREADER BAR - FIXED BAR, ADJUSTABLE JOINT . . . . .	75
SPREADER BAR - FIXED BAR, ADJUSTABLE JOINT, RECLINE . . . . .	76
SPREADER BAR - ADJUSTABLE BAR, FIXED JOINT, HEADREST MOUNT . . . . .	77

## **BACKPOST**

ANGLE ADJUSTABLE BACK . . . . .	78
ANGLE ADJUSTABLE FLIP BACK . . . . .	79
BACK PINS . . . . .	80
BACKPOST CLAMP . . . . .	81
BACKPOST REGULAR . . . . .	82
BACKPOST ENDOMORPH OUT . . . . .	83
BACKPOST ENDOMORPH IN . . . . .	84

## **CYLINDERS**

TILT CYLINDERS (STP) . . . . .	86
TILT CYLINDER CABLE (STP) . . . . .	87
RECLINE BACK (STP) . . . . .	88
RECLINE BACK CABLE (STP) . . . . .	90

## **ANTI-TIPPERS**

ANTI-TIPPER . . . . .	92
ANTI-TIPPER SHORT . . . . .	93

## **WHEEL LOCKS**

ALUMINUM WHEEL LOCK . . . . .	94
STEEL WHEEL LOCK . . . . .	95
ONE HANDED WHEEL LOCK . . . . .	96

## **PLATES & AXLES**

STP - AXLE PLATE . . . . .	97
AXLE . . . . .	98

## **REAR WHEELS**

COMPOSITE WHEEL . . . . .	100
SPOKE WHEEL . . . . .	102
COMPOSITE WHEEL HEAVY DUTY . . . . .	103

## **CASTERS**

CASTERS AND FORKS . . . . .	104
TILT CHAIR - CASTER MOUNT . . . . .	106

## **ACCESSORIES**

I.V. POLE OFFSET . . . . .	108
I.V. POLE STRAIGHT . . . . .	109
OXYGEN TANK HOLDER . . . . .	110
ADDUCTOR WEDGE - P-CLIP . . . . .	111
ADDUCTOR - L-BRACKET . . . . .	112
ADDUCTOR - P-CLIP . . . . .	113
AUTO-STYLE BELT . . . . .	114
NYLON LEG STRAP . . . . .	116
LEG CHANNEL . . . . .	117
TILT CHAIR - TIE DOWN - FRONT . . . . .	118
TILT CHAIR - TIE DOWN - REAR . . . . .	119

**TRAYS**

FULL TRAY - LOCKING ..... 120  
FULL TRAY - SLIDE ON ..... 121  
HALF TRAY - SLIDE ON ..... 122  
TROUGH TRAY - SLIDE ON ..... 123

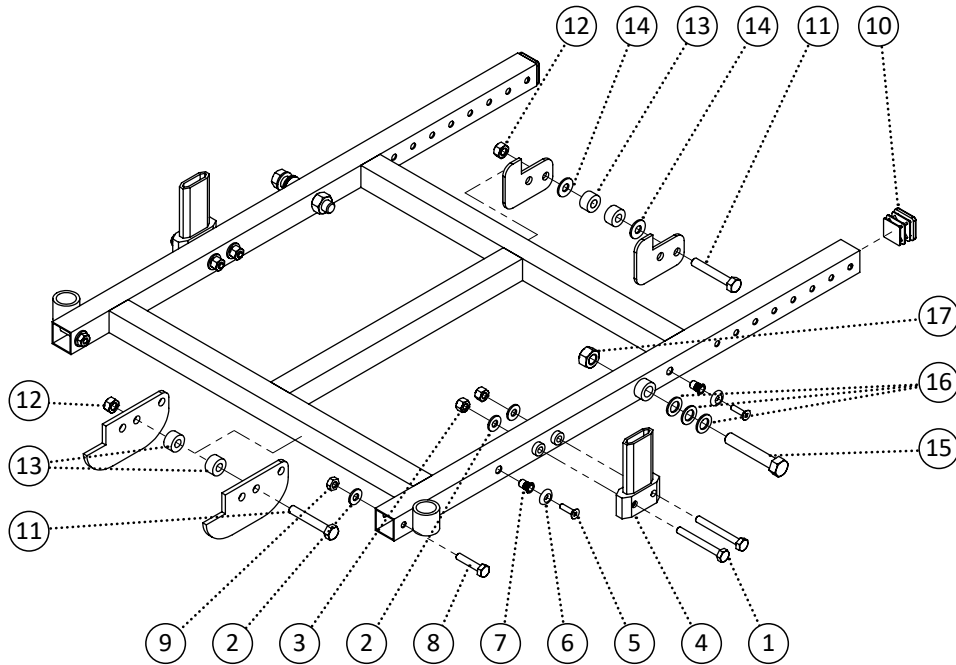
**REFERENCE INDEX**

At Power Plus Mobility, we care!

Thank you for choosing a wheelchair from Power Plus Mobility Inc. We are always improving in our ways to serve you better and would love to hear your questions or comments about our literatures, the reliability of our chairs and service you received while making the decision of choosing our wheelchair. Please feel free to contact us via our email address: [customer@powerplusmobility.com](mailto:customer@powerplusmobility.com)

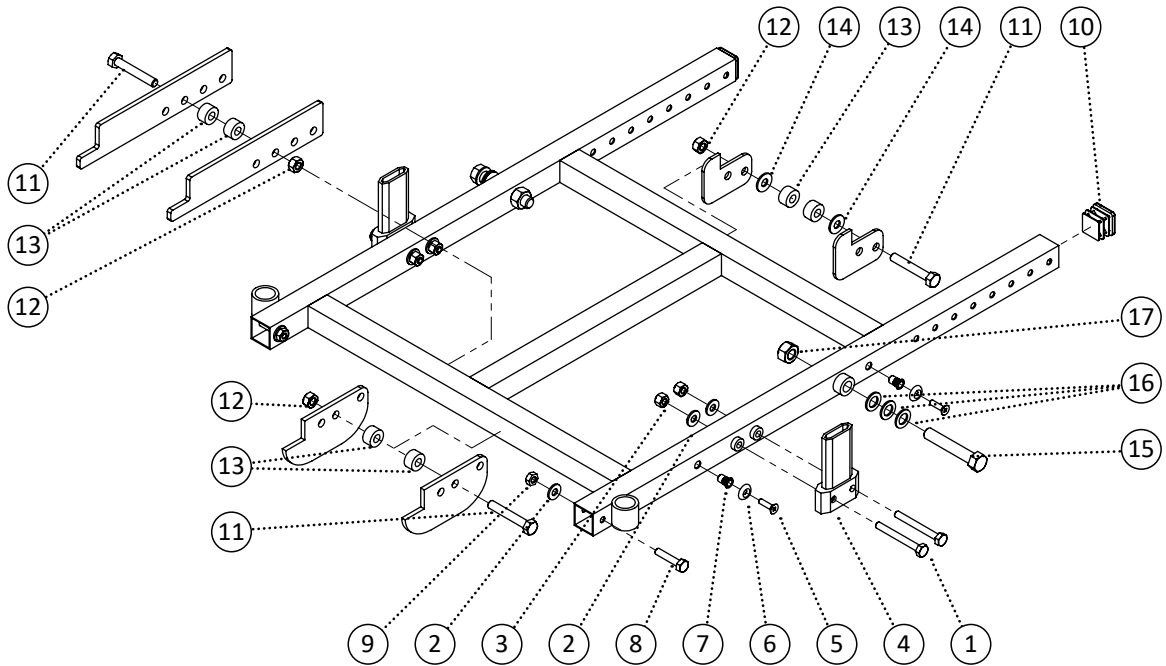
## QUESTIONS REGARDING YOUR WHEELCHAIR?

The best way to get your questions answered is by your authorized wheelchair dealer since they know your wheelchair and have the training for it. Please fill in your dealers information below so you have it handy just in case you have any questions or concerns about your wheelchair. Your dealer will guide you on the right direction to take any further steps.



Item	REF Number	Description	Quantity	MSRP	Notes
1	549335	Screw, Hex Bolt 1/4-20 x 2-1/4	4		
2	549423	Washer, Flat Washer 1/4 ID. x 5/8 OD.	6		
3	548859	Nut, Nylon Lock Nut 1/4-20	4		
4	548406	Block, Arm Block Extrusion Regular	2		
5	549324	Screw, Flat Head 10-32 x 3/4	4		
6	549418	Washer, Finishing Washer #10	4		
7	548879	Nut, Rivet Nut 10-32	4		
8	549329	Screw, Hex Bolt 1/4-20 x 1-1/4	2		
9	548870	Nut, Nylon Lock Nut Thin 1/4-20	2		
10	548478	Cap, 1 Square Cap	2		
11	549339	Screw, Hex Bolt 5/16-18 x 2	2		
12	548862	Nut, Nylon Lock Nut 5/16-18	2		
13	549394	Spacer, Nylon Spacer 8.3mm ID. x 18mm OD. x .10mmthk	4		
14	549430	Washer, Nylon Washer 5/16 ID. x 3/4 OD. x .063thk	2		
15	549344	Screw, Hex Bolt 7/16-14 x 2-1/2	2		
16	549432	Washer, Nylon Washer 7/16 ID. x 3/4 OD. x .063thk	6		
17	548864	Nut, Nylon Lock Nut 7/16-14	2		
18	549236	PPM, STP Upper Frame 16 x 16	1		
19	549237	PPM, STP Upper Frame 16 x 17	1		

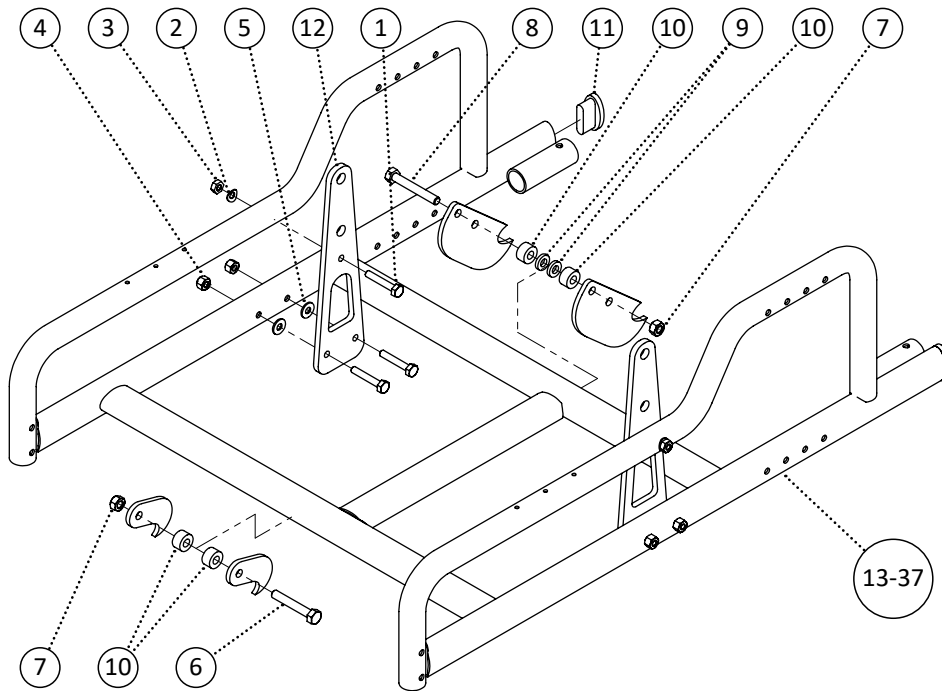
Item	REF Number	Description	Quantity	MSRP	Notes
20	549238	PPM, STP Upper Frame 16 x 18	1		
21	549239	PPM, STP Upper Frame 16 x 19	1		
22	549240	PPM, STP Upper Frame 16 x 20	1		
23	549241	PPM, STP Upper Frame 17 x 16	1		
24	549242	PPM, STP Upper Frame 17 x 17	1		
25	549243	PPM, STP Upper Frame 17 x 18	1		
26	549244	PPM, STP Upper Frame 17 x 19	1		
27	549245	PPM, STP Upper Frame 17 x 20	1		
28	549246	PPM, STP Upper Frame 18 x 16	1		
29	549247	PPM, STP Upper Frame 18 x 17	1		
30	549248	PPM, STP Upper Frame 18 x 18	1		
31	549249	PPM, STP Upper Frame 18 x 19	1		
32	549250	PPM, STP Upper Frame 18 x 20	1		
33	549251	PPM, STP Upper Frame 19 x 16	1		
34	549252	PPM, STP Upper Frame 19 x 17	1		
35	549253	PPM, STP Upper Frame 19 x 18	1		
36	549254	PPM, STP Upper Frame 19 x 19	1		
37	549255	PPM, STP Upper Frame 19 x 20	1		
38	549256	PPM, STP Upper Frame 20 x 16	1		
39	549257	PPM, STP Upper Frame 20 x 17	1		
40	549258	PPM, STP Upper Frame 20 x 18	1		
41	549259	PPM, STP Upper Frame 20 x 19	1		
42	549260	PPM, STP Upper Frame 20 x 20	1		



Item	REF Number	Description	Quantity	MSRP	Notes
1	549335	Screw, Hex Bolt 1/4-20 x 2-1/4	4		
2	549423	Washer, Flat Washer 1/4 ID. x 5/8 OD.	6		
3	548859	Nut, Nylon Lock Nut 1/4-20	4		
4	548406	Block, Arm Block Extrusion Regular	2		
5	549324	Screw, Flat Head 10-32 x 3/4	4		
6	549418	Washer, Finishing Washer #10	4		
7	548879	Nut, Rivet Nut 10-32	4		
8	549329	Screw, Hex Bolt 1/4-20 x 1-1/4	2		
9	548870	Nut, Nylon Lock Nut Thin 1/4-20	2		
10	548478	Cap, 1 Square Cap	2		
11	549339	Screw, Hex Bolt 5/16-18 x 2	3		
12	548862	Nut, Nylon Lock Nut 5/16-18	3		
13	549394	Spacer, Nylon Spacer 8.3mm ID. x 18mm OD. x .10mmthk	6		
14	549430	Washer, Nylon Washer 5/16 ID. x 3/4 OD. x .063thk	2		
15	549344	Screw, Hex Bolt 7/16-14 x 2-1/2	2		
16	549432	Washer, Nylon Washer 7/16 ID. x 3/4 OD. x .063thk	6		
17	548864	Nut, Nylon Lock Nut 7/16-14	2		
18	549261	PPM, STP Upper Frame Recline 16 x 16	1		
19	549262	PPM, STP Upper Frame Recline 16 x 17	1		

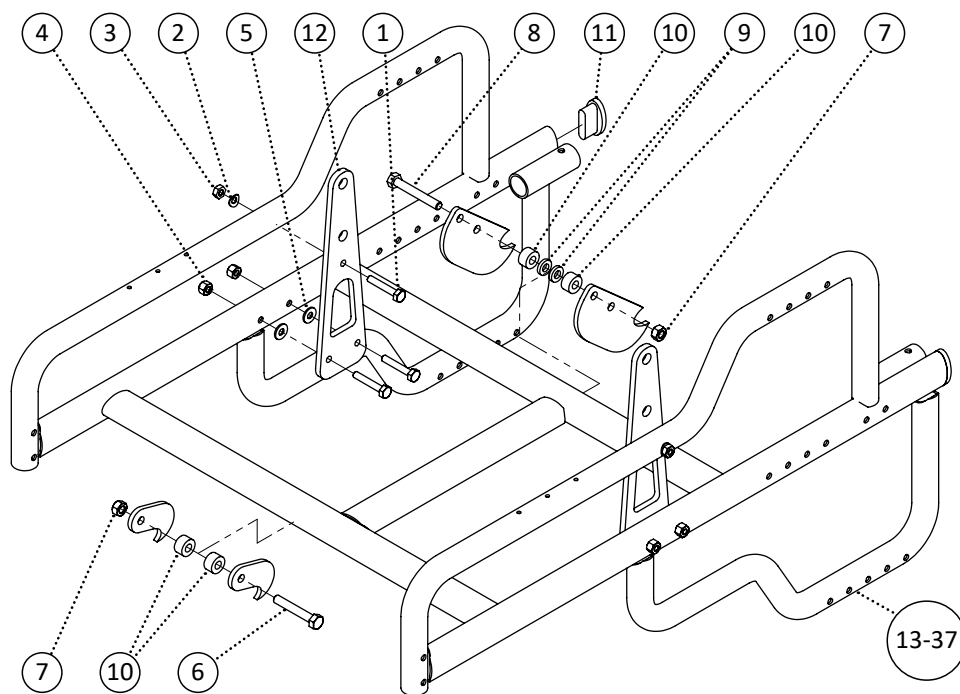


Item	REF Number	Description	Quantity	MSRP	Notes
20	549263	PPM, STP Upper Frame Recline 16 x 18	1		
21	549264	PPM, STP Upper Frame Recline 16 x 19	1		
22	549265	PPM, STP Upper Frame Recline 16 x 20	1		
23	549266	PPM, STP Upper Frame Recline 17 x 16	1		
24	549267	PPM, STP Upper Frame Recline 17 x 17	1		
25	549268	PPM, STP Upper Frame Recline 17 x 18	1		
26	549269	PPM, STP Upper Frame Recline 17 x 19	1		
27	549270	PPM, STP Upper Frame Recline 17 x 20	1		
28	549271	PPM, STP Upper Frame Recline 18 x 16	1		
29	549272	PPM, STP Upper Frame Recline 18 x 17	1		
30	549273	PPM, STP Upper Frame Recline 18 x 18	1		
31	549274	PPM, STP Upper Frame Recline 18 x 19	1		
32	549275	PPM, STP Upper Frame Recline 18 x 20	1		
33	549276	PPM, STP Upper Frame Recline 19 x 16	1		
34	549277	PPM, STP Upper Frame Recline 19 x 17	1		
35	549278	PPM, STP Upper Frame Recline 19 x 18	1		
36	549279	PPM, STP Upper Frame Recline 19 x 19	1		
37	549280	PPM, STP Upper Frame Recline 19 x 20	1		
38	549281	PPM, STP Upper Frame Recline 20 x 16	1		
39	549282	PPM, STP Upper Frame Recline 20 x 17	1		
40	549283	PPM, STP Upper Frame Recline 20 x 18	1		
41	549284	PPM, STP Upper Frame Recline 20 x 19	1		
42	549285	PPM, STP Upper Frame Recline 20 x 20	1		



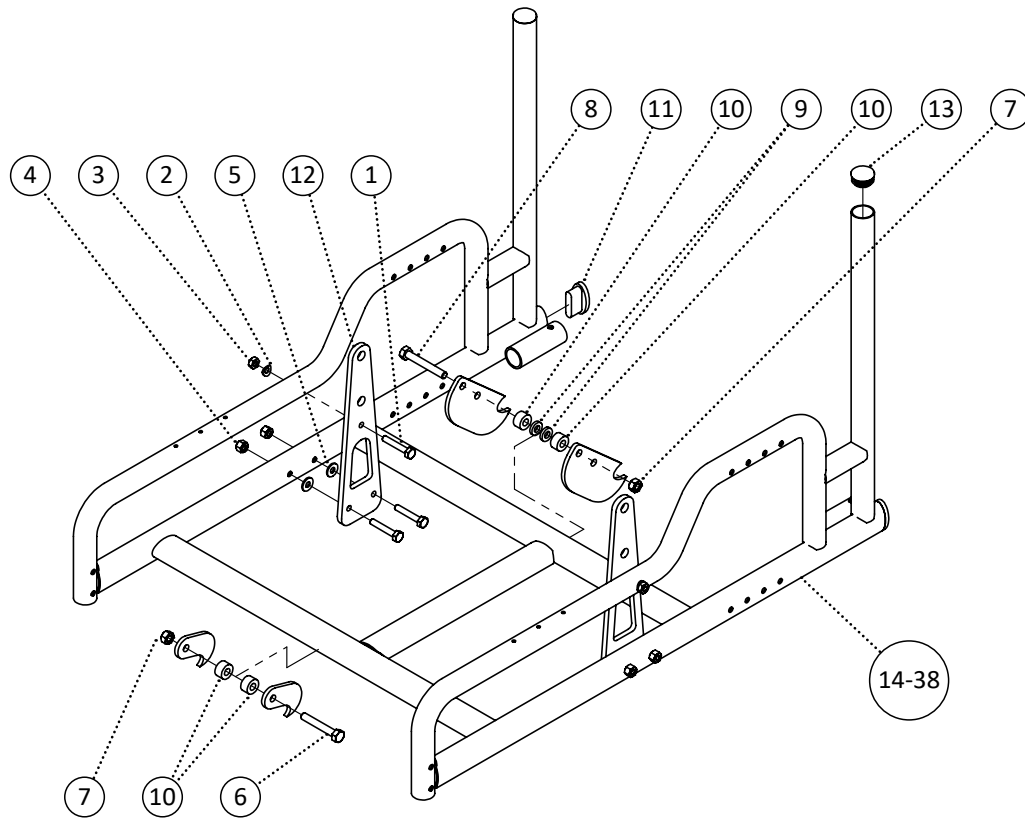
Item	REF Number	Description	Quantity	MSRP	Notes
1	549327	Screw, Hex Bolt 1/4-20 x 1-1/2	6		
2	549414	Washer, Curved Washer 1/4 ID. x 1/2 OD. x .037thk	2		
3	548870	Nut, Nylon Lock Nut Thin 1/4-20	2		
4	548859	Nut, Nylon Lock Nut 1/4-20	4		
5	549428	Washer, Nylon Washer .265ID x 5/8 OD x .063th	2		
6	549339	Screw, Hex Bolt 5/16-18 x 2	1		
7	548862	Nut, Nylon Lock Nut 5/16-18	2		
8	549341	Screw, Hex Bolt 5/16-18 x 2-1/4	1		
9	549389	Spacer, Nylon Spacer 5/16 ID. x .6 OD x .12thk (wht)	2		
10	549394	Spacer, Nylon Spacer 8.3mm ID. x 18mm OD. x .10mmthk	4		
11	548493	Cap, Oval Cap	2		
12	548441	Bracket, STP Tilt Bracket	2		
13	549229	PPM, STP Lower Frame 16 x 16	1		
14	549230	PPM, STP Lower Frame 16 x 17	1		
15	549231	PPM, STP Lower Frame 16 x 18	1		
16	549232	PPM, STP Lower Frame 16 x 19	1		
17	549233	PPM, STP Lower Frame 16 x 20	1		
18	549234	PPM, STP Lower Frame 17 x 16	1		
19	549235	PPM, STP Lower Frame 17 x 17	1		

Item	REF Number	Description	Quantity	MSRP	Notes
20	549484	PPM, STP Lower Frame 17 x 18	1		
21	549485	PPM, STP Lower Frame 17 x 19	1		
22	549486	PPM, STP Lower Frame 17 x 20	1		
23	549487	PPM, STP Lower Frame 18 x 16	1		
24	549488	PPM, STP Lower Frame 18 x 17	1		
25	549489	PPM, STP Lower Frame 18 x 18	1		
26	549490	PPM, STP Lower Frame 18 x 19	1		
27	549491	PPM, STP Lower Frame 18 x 20	1		
28	549492	PPM, STP Lower Frame 19 x 16	1		
29	549493	PPM, STP Lower Frame 19 x 17	1		
30	549494	PPM, STP Lower Frame 19 x 18	1		
31	549495	PPM, STP Lower Frame 19 x 19	1		
32	549496	PPM, STP Lower Frame 19 x 20	1		
33	549497	PPM, STP Lower Frame 20 x 16	1		
34	549498	PPM, STP Lower Frame 20 x 17	1		
35	549499	PPM, STP Lower Frame 20 x 18	1		
36	549500	PPM, STP Lower Frame 20 x 19	1		
37	549501	PPM, STP Lower Frame 20 x 20	1		



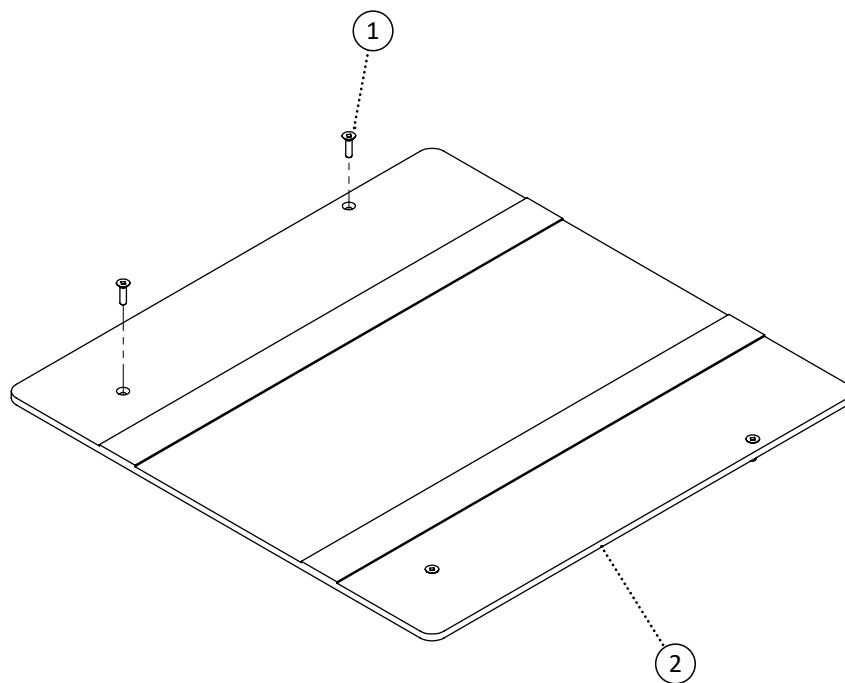
Item	REF Number	Description	Quantity	MSRP	Notes
1	549327	Screw, Hex Bolt 1/4-20 x 1-1/2	6		
2	549414	Washer, Curved Washer 1/4 ID. x 1/2 OD. x .037thk	2		
3	548870	Nut, Nylon Lock Nut Thin 1/4-20	2		
4	548859	Nut, Nylon Lock Nut 1/4-20	4		
5	549428	Washer, Nylon Washer .265ID x 5/8 OD x .063th	2		
6	549339	Screw, Hex Bolt 5/16-18 x 2	1		
7	548862	Nut, Nylon Lock Nut 5/16-18	2		
8	549341	Screw, Hex Bolt 5/16-18 x 2-1/4	1		
9	549389	Spacer, Nylon Spacer 5/16 ID. x .6 OD x .12thk (wht)	2		
10	549394	Spacer, Nylon Spacer 8.3mm ID. x 18mm OD. x .10mmthk	4		
11	548493	Cap, Oval Cap	2		
12	548441	Bracket, STP Tilt Bracket	2		
13	549204	PPM, STP Lower Frame (Inside Mount) 16 x 16	1		
14	549205	PPM, STP Lower Frame (Inside Mount) 16 x 17	1		
15	549206	PPM, STP Lower Frame (Inside Mount) 16 x 18	1		
16	549207	PPM, STP Lower Frame (Inside Mount) 16 x 19	1		
17	549208	PPM, STP Lower Frame (Inside Mount) 16 x 20	1		
18	549209	PPM, STP Lower Frame (Inside Mount) 17 x 16	1		
19	549210	PPM, STP Lower Frame (Inside Mount) 17 x 17	1		

Item	REF Number	Description	Quantity	MSRP	Notes
20	549211	PPM, STP Lower Frame (Inside Mount) 17 x 18	1		
21	549212	PPM, STP Lower Frame (Inside Mount) 17 x 19	1		
22	549213	PPM, STP Lower Frame (Inside Mount) 17 x 20	1		
23	549214	PPM, STP Lower Frame (Inside Mount) 18 x 16	1		
24	549215	PPM, STP Lower Frame (Inside Mount) 18 x 17	1		
25	549216	PPM, STP Lower Frame (Inside Mount) 18 x 18	1		
26	549217	PPM, STP Lower Frame (Inside Mount) 18 x 19	1		
27	549218	PPM, STP Lower Frame (Inside Mount) 18 x 20	1		
28	549219	PPM, STP Lower Frame (Inside Mount) 19 x 16	1		
29	549220	PPM, STP Lower Frame (Inside Mount) 19 x 17	1		
30	549221	PPM, STP Lower Frame (Inside Mount) 19 x 18	1		
31	549222	PPM, STP Lower Frame (Inside Mount) 19 x 19	1		
32	549223	PPM, STP Lower Frame (Inside Mount) 19 x 20	1		
33	549224	PPM, STP Lower Frame (Inside Mount) 20 x 16	1		
34	549225	PPM, STP Lower Frame (Inside Mount) 20 x 17	1		
35	549226	PPM, STP Lower Frame (Inside Mount) 20 x 18	1		
36	549227	PPM, STP Lower Frame (Inside Mount) 20 x 19	1		
37	549228	PPM, STP Lower Frame (Inside Mount) 20 x 20	1		



Item	REF Number	Description	Quantity	MSRP	Notes
1	549327	Screw, Hex Bolt 1/4-20 x 1-1/2	6		
2	549414	Washer, Curved Washer 1/4 ID. x 1/2 OD. x .037thk	2		
3	548870	Nut, Nylon Lock Nut Thin 1/4-20	2		
4	548859	Nut, Nylon Lock Nut 1/4-20	4		
5	549428	Washer, Nylon Washer .265ID x 5/8 OD x .063th	2		
6	549339	Screw, Hex Bolt 5/16-18 x 2	1		
7	548862	Nut, Nylon Lock Nut 5/16-18	2		
8	549341	Screw, Hex Bolt 5/16-18 x 2-1/4	1		
9	549389	Spacer, Nylon Spacer 5/16 ID. x .6 OD x .12thk (wht)	2		
10	549394	Spacer, Nylon Spacer 8.3mm ID. x 18mm OD. x .10mmthk	4		
11	548493	Cap, Oval Cap	2		
12	548441	Bracket, STP Tilt Bracket	2		
13	548496	Cap, Round Plug 1 x 18ga	2		
14	549179	PPM, STP Lower Frame (Attendant Brake) 16 x 16	1		
15	549180	PPM, STP Lower Frame (Attendant Brake) 16 x 17	1		
16	549181	PPM, STP Lower Frame (Attendant Brake) 16 x 18	1		
17	549182	PPM, STP Lower Frame (Attendant Brake) 16 x 19	1		
18	549183	PPM, STP Lower Frame (Attendant Brake) 16 x 20	1		
19	549184	PPM, STP Lower Frame (Attendant Brake) 17 x 16	1		

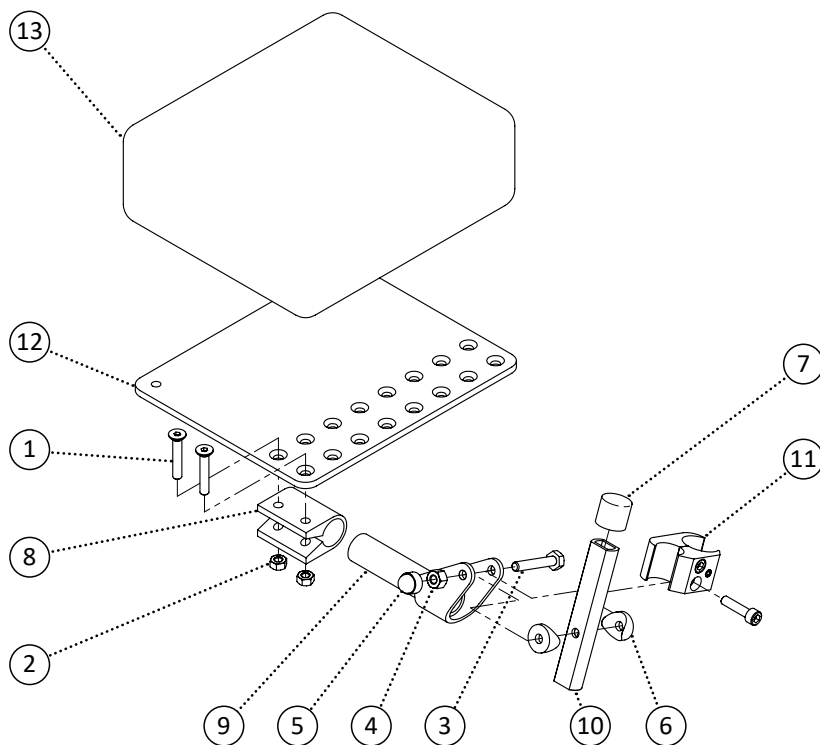
Item	REF Number	Description	Quantity	MSRP	Notes
20	549185	PPM, STP Lower Frame (Attendant Brake) 17 x 17	1		
21	549186	PPM, STP Lower Frame (Attendant Brake) 17 x 18	1		
22	549187	PPM, STP Lower Frame (Attendant Brake) 17 x 19	1		
23	549188	PPM, STP Lower Frame (Attendant Brake) 17 x 20	1		
24	549189	PPM, STP Lower Frame (Attendant Brake) 18 x 16	1		
25	549190	PPM, STP Lower Frame (Attendant Brake) 18 x 17	1		
26	549191	PPM, STP Lower Frame (Attendant Brake) 18 x 18	1		
27	549192	PPM, STP Lower Frame (Attendant Brake) 18 x 19	1		
28	549193	PPM, STP Lower Frame (Attendant Brake) 18 x 20	1		
29	549194	PPM, STP Lower Frame (Attendant Brake) 19 x 16	1		
30	549195	PPM, STP Lower Frame (Attendant Brake) 19 x 17	1		
31	549196	PPM, STP Lower Frame (Attendant Brake) 19 x 18	1		
32	549197	PPM, STP Lower Frame (Attendant Brake) 19 x 19	1		
33	549198	PPM, STP Lower Frame (Attendant Brake) 19 x 20	1		
34	549199	PPM, STP Lower Frame (Attendant Brake) 20 x 16	1		
35	549200	PPM, STP Lower Frame (Attendant Brake) 20 x 17	1		
36	549201	PPM, STP Lower Frame (Attendant Brake) 20 x 18	1		
37	549202	PPM, STP Lower Frame (Attendant Brake) 20 x 19	1		
38	549203	PPM, STP Lower Frame (Attendant Brake) 20 x 20	1		



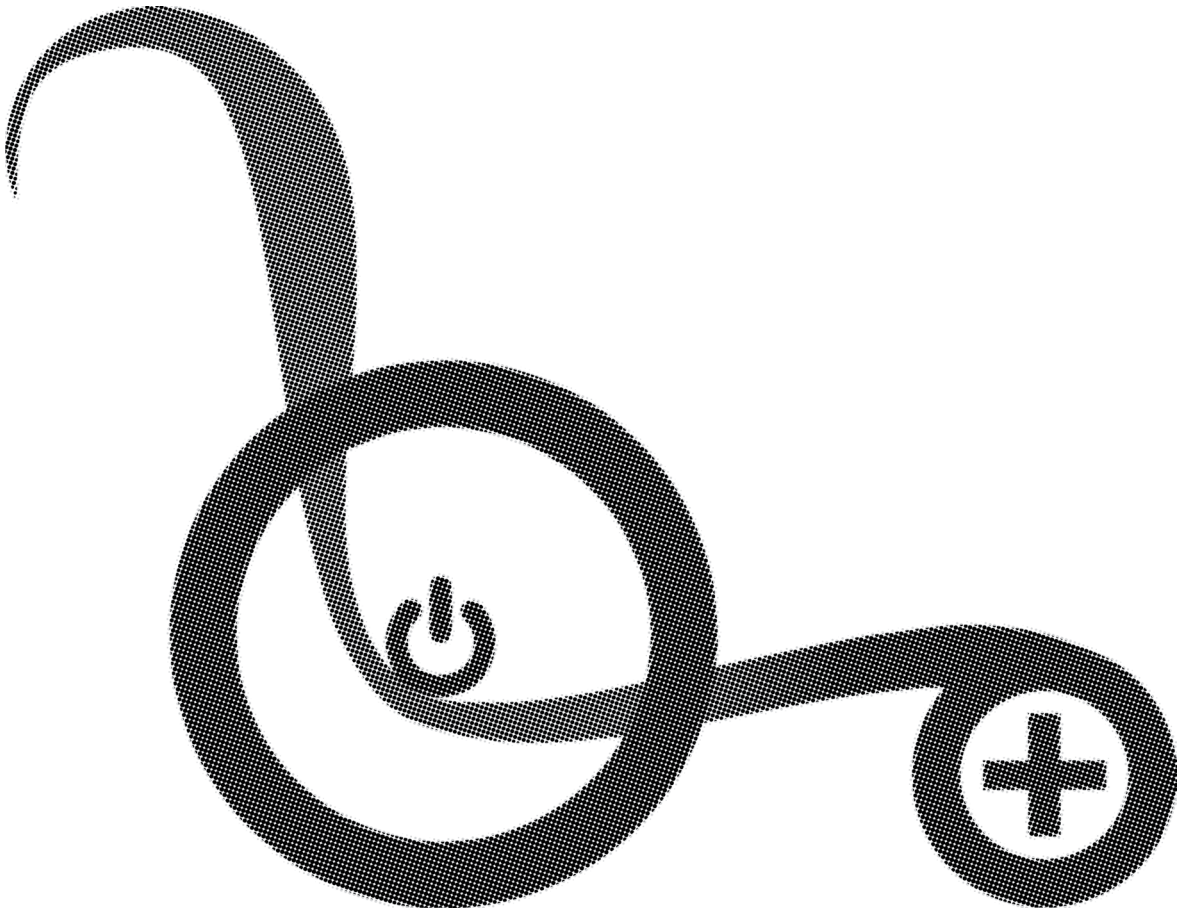
Item	REF Number	Description	Quantity	MSRP	Notes
1	549324	Screw, Flat Head 10-32 x 3/4	4		
2	549736	PPM, ABS Seat Pan 16 x 16 x 1/4	1		
3	549737	PPM, ABS Seat Pan 16 x 17 x 1/4	1		
4	549738	PPM, ABS Seat Pan 16 x 18 x 1/4	1		
5	549739	PPM, ABS Seat Pan 16 x 19 x 1/4	1		
6	549740	PPM, ABS Seat Pan 16 x 20 x 1/4	1		
7	549741	PPM, ABS Seat Pan 18 x 16 x 1/4	1		
8	549742	PPM, ABS Seat Pan 18 x 17 x 1/4	1		
9	549743	PPM, ABS Seat Pan 18 x 18 x 1/4	1		
10	549744	PPM, ABS Seat Pan 18 x 19 x 1/4	1		
11	549745	PPM, ABS Seat Pan 18 x 20 x 1/4	1		
12	549746	PPM, ABS Seat Pan 19 x 16 x 1/4	1		
13	549747	PPM, ABS Seat Pan 19 x 17 x 1/4	1		
14	549748	PPM, ABS Seat Pan 19 x 18 x 1/4	1		
15	549749	PPM, ABS Seat Pan 19 x 19 x 1/4	1		
16	549750	PPM, ABS Seat Pan 19 x 20 x 1/4	1		
17	549751	PPM, ABS Seat Pan 20 x 16 x 1/4	1		
18	549752	PPM, ABS Seat Pan 20 x 17 x 1/4	1		
19	549753	PPM, ABS Seat Pan 20 x 18 x 1/4	1		

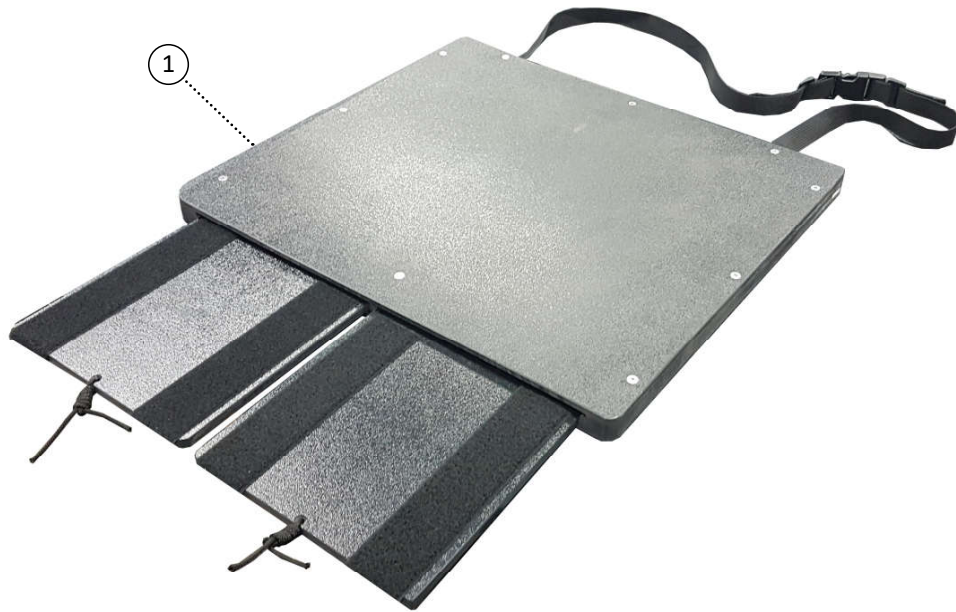


Item	REF Number	Description	Quantity	MSRP	Notes
20	549754	PPM, ABS Seat Pan 20 x 19 x 1/4	1		
21	549755	PPM, ABS Seat Pan 20 x 20 x 1/4	1		
22	549756	PPM, ABS Seat Pan 16 x 16 x 3/8	1		
23	549757	PPM, ABS Seat Pan 16 x 17 x 3/8	1		
24	549758	PPM, ABS Seat Pan 16 x 18 x 3/8	1		
25	549759	PPM, ABS Seat Pan 16 x 19 x 3/8	1		
26	549760	PPM, ABS Seat Pan 16 x 20 x 3/8	1		
27	549761	PPM, ABS Seat Pan 18 x 16 x 3/8	1		
28	549762	PPM, ABS Seat Pan 18 x 17 x 3/8	1		
29	549763	PPM, ABS Seat Pan 18 x 18 x 3/8	1		
30	549764	PPM, ABS Seat Pan 18 x 19 x 3/8	1		
31	549765	PPM, ABS Seat Pan 18 x 20 x 3/8	1		
32	549766	PPM, ABS Seat Pan 19 x 16 x 3/8	1		
33	549767	PPM, ABS Seat Pan 19 x 17 x 3/8	1		
34	549768	PPM, ABS Seat Pan 19 x 18 x 3/8	1		
35	549769	PPM, ABS Seat Pan 19 x 19 x 3/8	1		
36	549770	PPM, ABS Seat Pan 19 x 20 x 3/8	1		
37	549771	PPM, ABS Seat Pan 20 x 16 x 3/8	1		
38	549772	PPM, ABS Seat Pan 20 x 17 x 3/8	1		
39	549773	PPM, ABS Seat Pan 20 x 18 x 3/8	1		
40	549774	PPM, ABS Seat Pan 20 x 19 x 3/8	1		
41	549775	PPM, ABS Seat Pan 20 x 20 x 3/8	1		



Item	REF Number	Description	Quantity	MSRP	Notes
1	549325	Screw, Flat Head M6-1.0 x 30	2		
2	548866	Nut, Nylon Lock Nut M6-1.0	2		
3	549327	Screw, Hex Bolt 1/4-20 x 1-1/2	1		
4	548859	Nut, Nylon Lock Nut 1/4-20	1		
5	548480	Cap, 1/4 Nut Cap	1		
6	549434	Washer, Radius Washer 1/4 ID. x 3/4 OD. x 3/4cu	2		
7	549731	Cap, 3/4 Short Rubber Cap	1		
8	548521	Footplate, Angle Adjust Hinge Clamp	1		
9	548522	Footplate, Angle Adjust Hinge Clamp Extension	1		
10	549732	PPM, Angle Adjust Extension Amputee Board	1		
11	548505	Clamp, Aluminum Brake Clamp	1		
12	548523	Footplate, Angle Adjust Plate	1		
13	549733	Padding, Amputee Board on Footrest Pad	1		
<b>1-13</b>	<b>549734</b>	<b>Kit, Amputee Board on Footrest Left Complete</b>	<b>1</b>		
<b>1-13</b>	<b>549735</b>	<b>Kit, Amputee Board on Footrest Right Complete</b>	<b>1</b>		

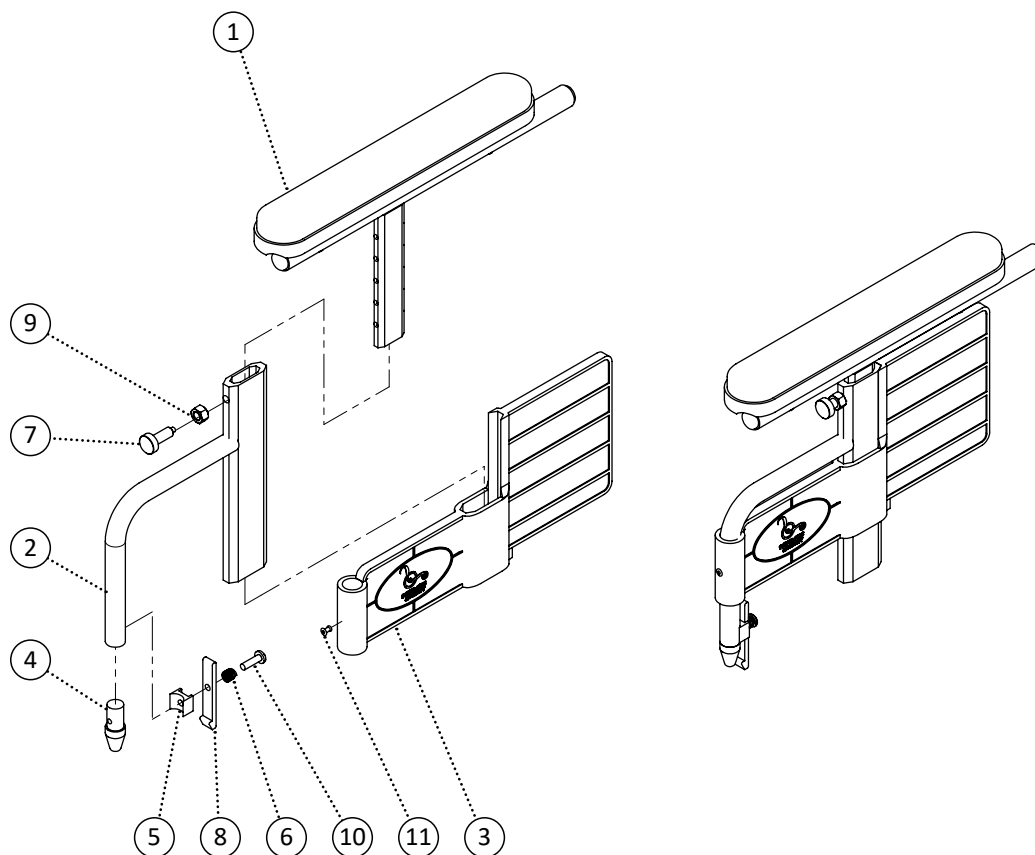




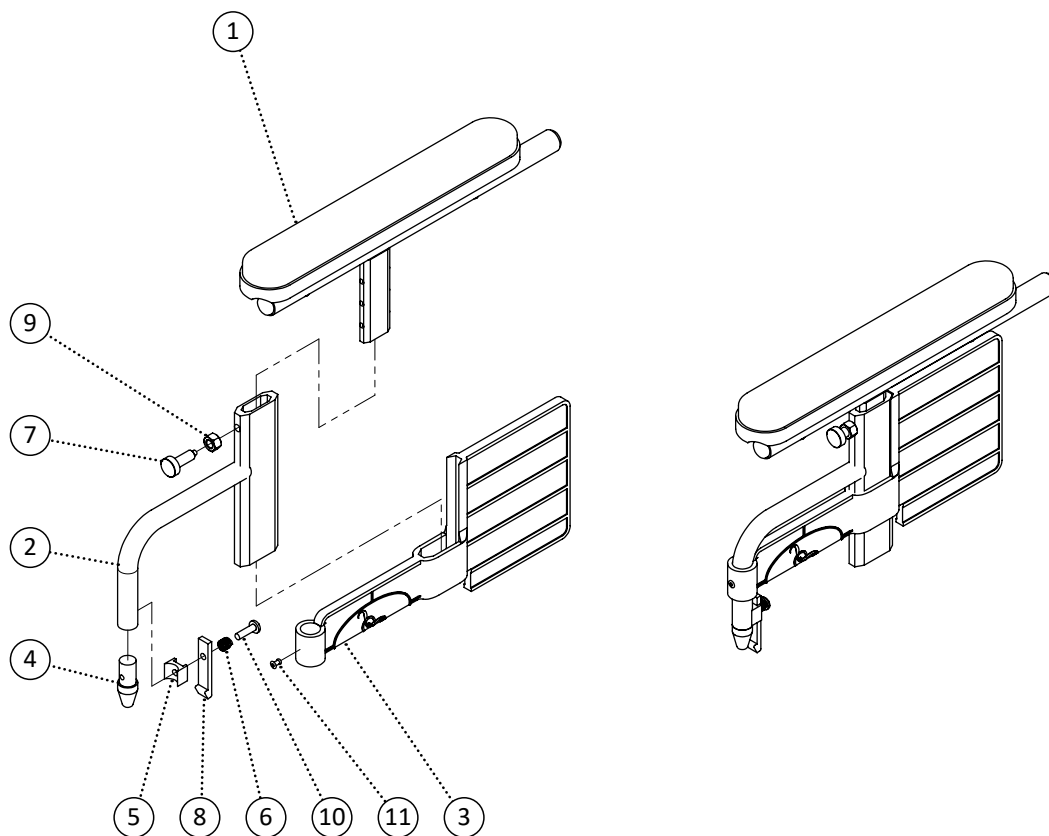
Item	REF Number	Description	Quantity	MSRP	Notes
1	549870	PPM, Amputee Seat Pan 16 x 16	1		
2	549871	PPM, Amputee Seat Pan 16 x 18	1		
3	549872	PPM, Amputee Seat Pan 16 x 20	1		
4	549873	PPM, Amputee Seat Pan 16 x 22	1		
5	549874	PPM, Amputee Seat Pan 16 x 24	1		
6	549875	PPM, Amputee Seat Pan 16 x 26	1		
7	549876	PPM, Amputee Seat Pan 16 x 28	1		
8	549877	PPM, Amputee Seat Pan 16 x 30	1		
9	549878	PPM, Amputee Seat Pan 18 x 16	1		
10	549879	PPM, Amputee Seat Pan 18 x 18	1		
11	549880	PPM, Amputee Seat Pan 18 x 20	1		
12	549881	PPM, Amputee Seat Pan 18 x 22	1		
13	549882	PPM, Amputee Seat Pan 18 x 24	1		
14	549883	PPM, Amputee Seat Pan 18 x 26	1		
15	549884	PPM, Amputee Seat Pan 18 x 28	1		
16	549885	PPM, Amputee Seat Pan 18 x 30	1		
17	549886	PPM, Amputee Seat Pan 20 x 16	1		
18	549887	PPM, Amputee Seat Pan 20 x 18	1		
19	549888	PPM, Amputee Seat Pan 20 x 20	1		
20	549889	PPM, Amputee Seat Pan 20 x 22	1		
21	549890	PPM, Amputee Seat Pan 20 x 24	1		
22	549891	PPM, Amputee Seat Pan 20 x 26	1		

Item	REF Number	Description	Quantity	MSRP	Notes
23	549892	PPM, Amputee Seat Pan 20 x 28	1		
24	549893	PPM, Amputee Seat Pan 20 x 30	1		
25	549894	PPM, Amputee Seat Pan 22 x 16	1		
26	549895	PPM, Amputee Seat Pan 22 x 18	1		
27	549896	PPM, Amputee Seat Pan 22 x 20	1		
28	549897	PPM, Amputee Seat Pan 22 x 22	1		
29	549898	PPM, Amputee Seat Pan 22 x 24	1		
30	549899	PPM, Amputee Seat Pan 22 x 26	1		
31	549900	PPM, Amputee Seat Pan 22 x 28	1		
32	549901	PPM, Amputee Seat Pan 22 x 30	1		
33	549902	PPM, Amputee Seat Pan 24 x 16	1		
34	549903	PPM, Amputee Seat Pan 24 x 18	1		
35	549904	PPM, Amputee Seat Pan 24 x 20	1		
36	549905	PPM, Amputee Seat Pan 24 x 22	1		
37	549906	PPM, Amputee Seat Pan 24 x 24	1		
38	549907	PPM, Amputee Seat Pan 24 x 26	1		
39	549908	PPM, Amputee Seat Pan 24 x 28	1		
40	549909	PPM, Amputee Seat Pan 24 x 30	1		
41	549910	PPM, Amputee Seat Pan 26 x 16	1		
42	549911	PPM, Amputee Seat Pan 26 x 18	1		
43	549912	PPM, Amputee Seat Pan 26 x 20	1		
44	549913	PPM, Amputee Seat Pan 26 x 22	1		
45	549914	PPM, Amputee Seat Pan 26 x 24	1		
46	549915	PPM, Amputee Seat Pan 26 x 26	1		
47	549916	PPM, Amputee Seat Pan 26 x 28	1		
48	549917	PPM, Amputee Seat Pan 26 x 30	1		
49	549918	PPM, Amputee Seat Pan 28 x 16	1		
50	549919	PPM, Amputee Seat Pan 28 x 18	1		
51	549920	PPM, Amputee Seat Pan 28 x 20	1		
52	549921	PPM, Amputee Seat Pan 28 x 22	1		
53	549922	PPM, Amputee Seat Pan 28 x 24	1		
54	549923	PPM, Amputee Seat Pan 28 x 26	1		
55	549924	PPM, Amputee Seat Pan 28 x 28	1		
56	549925	PPM, Amputee Seat Pan 28 x 30	1		
57	549926	PPM, Amputee Seat Pan 30 x 16	1		
58	549927	PPM, Amputee Seat Pan 30 x 18	1		
59	549928	PPM, Amputee Seat Pan 30 x 20	1		
60	549929	PPM, Amputee Seat Pan 30 x 22	1		
61	549930	PPM, Amputee Seat Pan 30 x 24	1		
62	549931	PPM, Amputee Seat Pan 30 x 26	1		
63	549932	PPM, Amputee Seat Pan 30 x 28	1		
64	549933	PPM, Amputee Seat Pan 30 x 30	1		

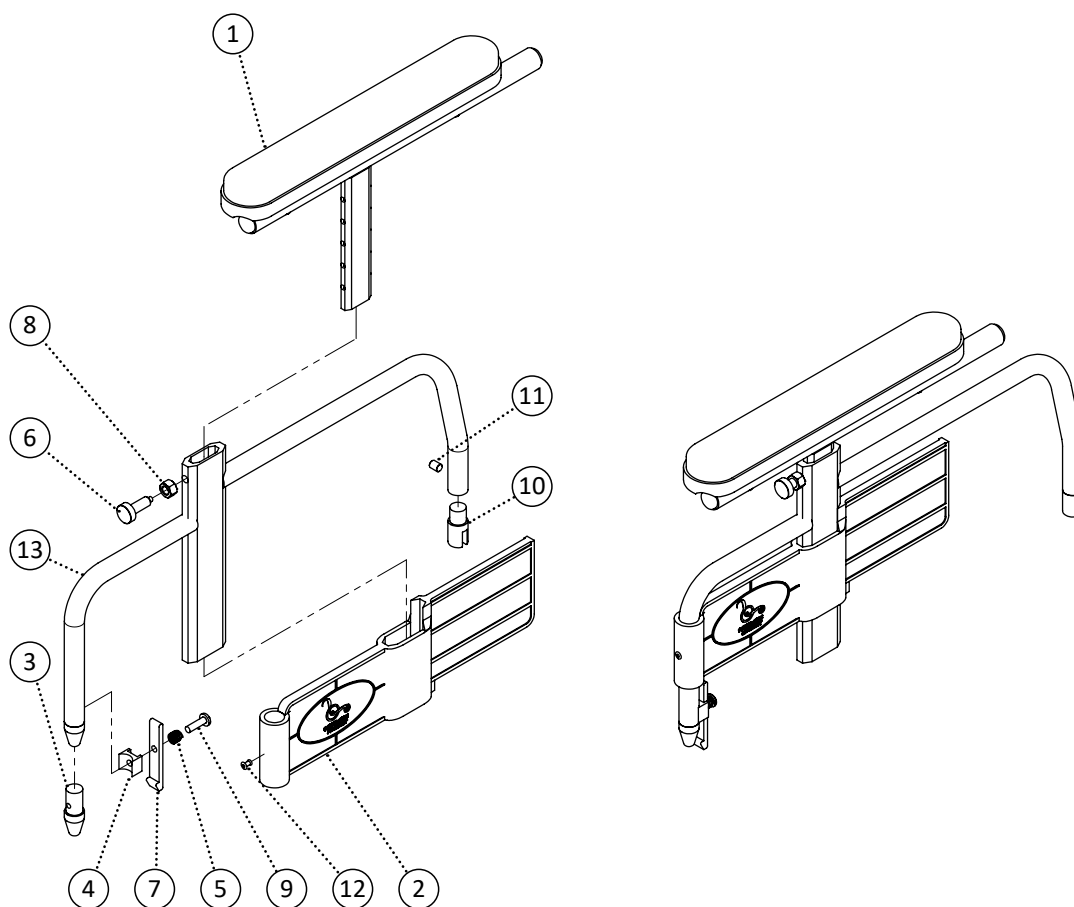
Note: This is for reference only. Contact for part numbers.



Item	REF Number	Description	Quantity	MSRP	Notes
1		Arm Tops - See Arm Tops page			
2	548930	PPM, Arm Base Female	1		
3	549293	PPM, Wheelchair Side Panel	1		
4	548483	Cap, Arm Lead In Locator	1		
5	549386	Spacer, Arm Release Lever Mount Block	1		
6	549396	Spring, Lever Compression Spring	1		
7	549356	Screw, Retractable Locking Knob	1		
8	548417	Bracket, Arm Release Lever Aluminum	1		
9	548855	Nut, Jam Nut 3/8-16	1		
10	549355	Screw, Pan Head Thread Screw Quadrex 1/4-14 x 1	1		
11	549311	Nut, Rivet Nut 5/32	1		
2-11	548610	Kit, Arm Rest Complete Kit Right	1		
2-11	548609	Kit, Arm Rest Complete Kit Left	1		



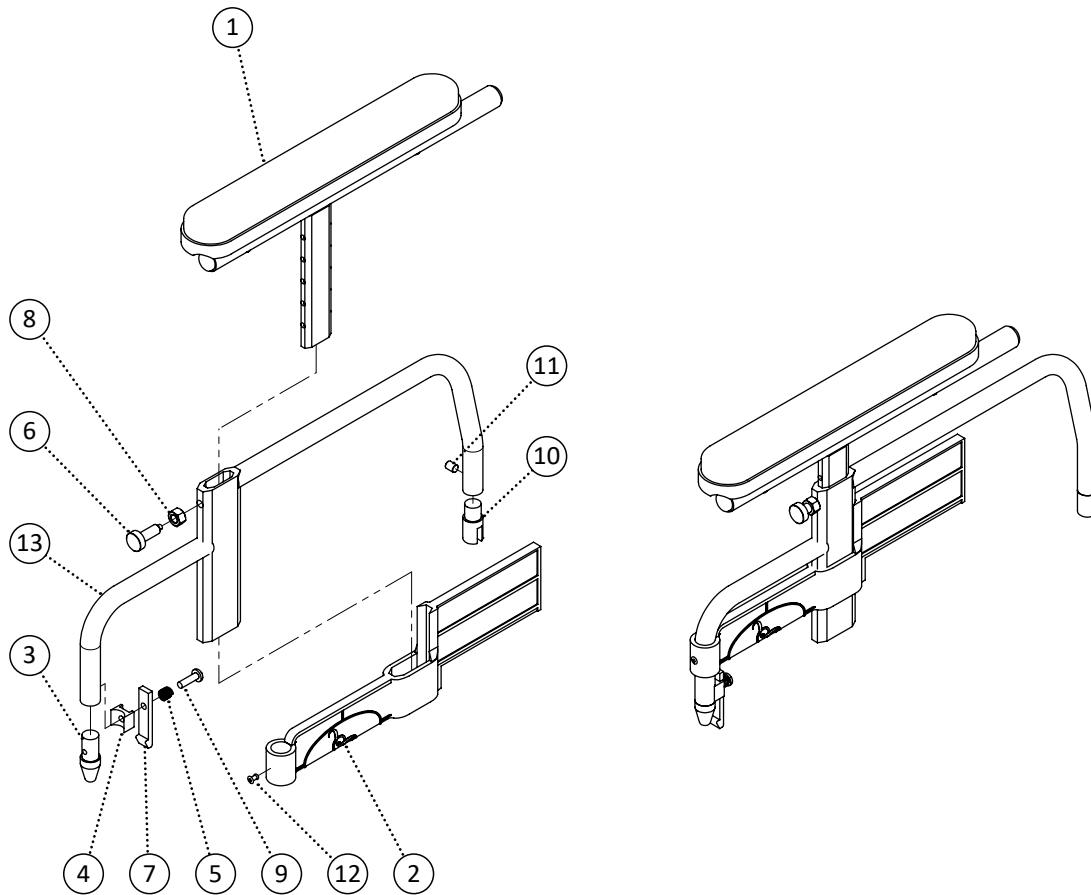
Item	REF Number	Description	Quantity	MSRP	Notes
1		Arm Tops - See Arm Tops page			
2	548933	PPM, Arm Base Female (Short)	1		
3	549296	PPM, Wheelchair Side Panel (Short)	1		
4	548483	Cap, Arm Lead In Locator	1		
5	549386	Spacer, Arm Release Lever Mount Block	1		
6	549396	Spring, Lever Compression Spring	1		
7	549356	Screw, Retractable Locking Knob	1		
8	548417	Bracket, Arm Release Lever Aluminum	1		
9	548855	Nut, Jam Nut 3/8-16	1		
10	549355	Screw, Pan Head Thread Screw Quadrex 1/4-14 x 1	1		
11	549311	Nut, Rivet Nut 5/32	1		
2-11	548608	Kit, Arm Rest (Short) Complete Kit Right	1		
2-11	548607	Kit, Arm Rest (Short) Complete Kit Left	1		



Item	REF Number	Description	Quantity	MSRP	Notes
1		Arm Tops	1		
2	549295	PPM, Wheelchair Side Panel (Flip Back)	1		
3	548483	Cap, Arm Lead In Locator	1		
4	549386	Spacer, Arm Release Lever Mount Block	1		
5	549396	Spring, Lever Compression Spring	1		
6	549356	Screw, Retractable Locking Knob	1		
7	548417	Bracket, Arm Release Lever Aluminum	1		
8	548855	Nut, Jam Nut 3/8-16	1		
9	549355	Screw, Pan Head Thread Screw Quadrex 1/4-14 x 1	1		
10	548458	Bushing, Aluminum Bushing Hinge 3/4	1		
11	549379	Screw, Socket Set Screw 1/4-20 x 3/8	1		
12	549311	Nut, Rivet Nut 5/32	1		
13	549650	PPM, Arm Base Female 16 Left (Flip Back)	1		
14	549651	PPM, Arm Base Female 16 Right (Flip Back)	1		
15	549652	PPM, Arm Base Female 18 Left (Flip Back)	1		
16	549653	PPM, Arm Base Female 18 Right (Flip Back)	1		
17	549654	PPM, Arm Base Female 20 Left (Flip Back)	1		
18	549655	PPM, Arm Base Female 20 Right (Flip Back)	1		
19	549656	PPM, Arm Base Female 22 Left (Flip Back)	1		

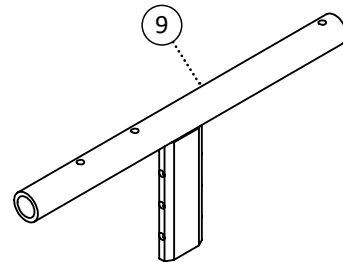
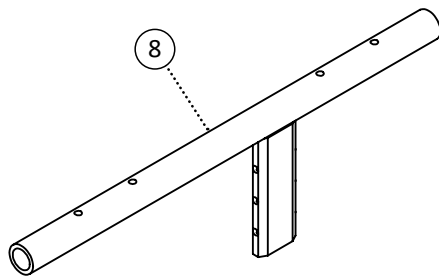
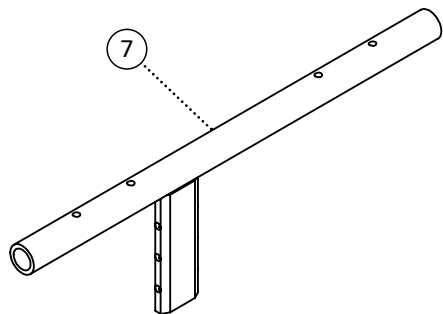
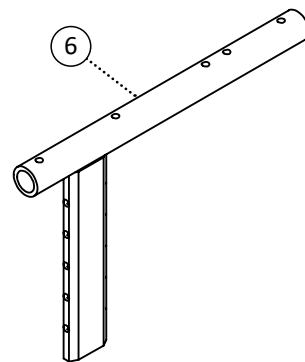
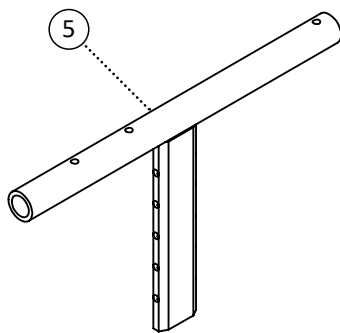
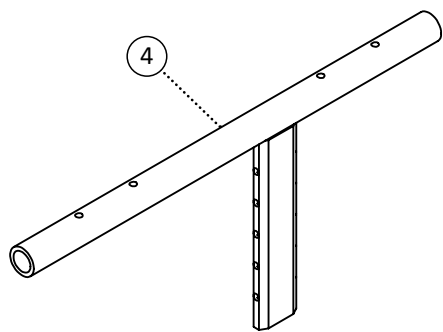
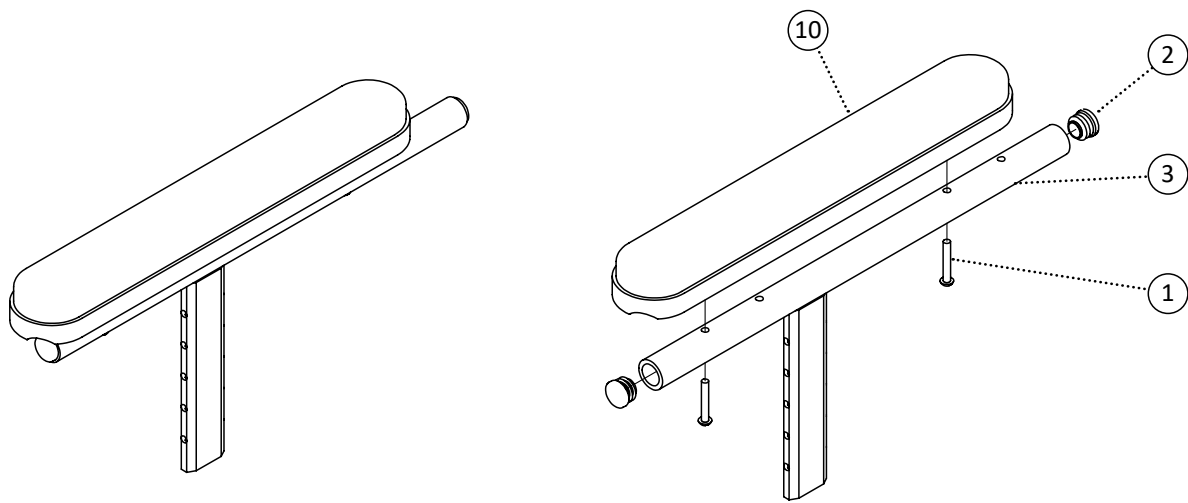


Item	REF Number	Description	Quantity	MSRP	Notes
20	549657	PPM, Arm Base Female 22 Right (Flip Back)	1		
1-12,13	549658	Kit, Arm Rest 16 Left (Flip Back) Complete	1		
1-12,14	549659	Kit, Arm Rest 16 Right (Flip Back) Complete	1		
1-12,15	549660	Kit, Arm Rest 18 Left (Flip Back) Complete	1		
1-12,16	549661	Kit, Arm Rest 18 Right (Flip Back) Complete	1		
1-12,17	549662	Kit, Arm Rest 20 Left (Flip Back) Complete	1		
1-12,18	549663	Kit, Arm Rest 20 Right (Flip Back) Complete	1		
1-12,19	549664	Kit, Arm Rest 22 Left (Flip Back) Complete	1		
1-12,20	549665	Kit, Arm Rest 22 Right (Flip Back) Complete	1		

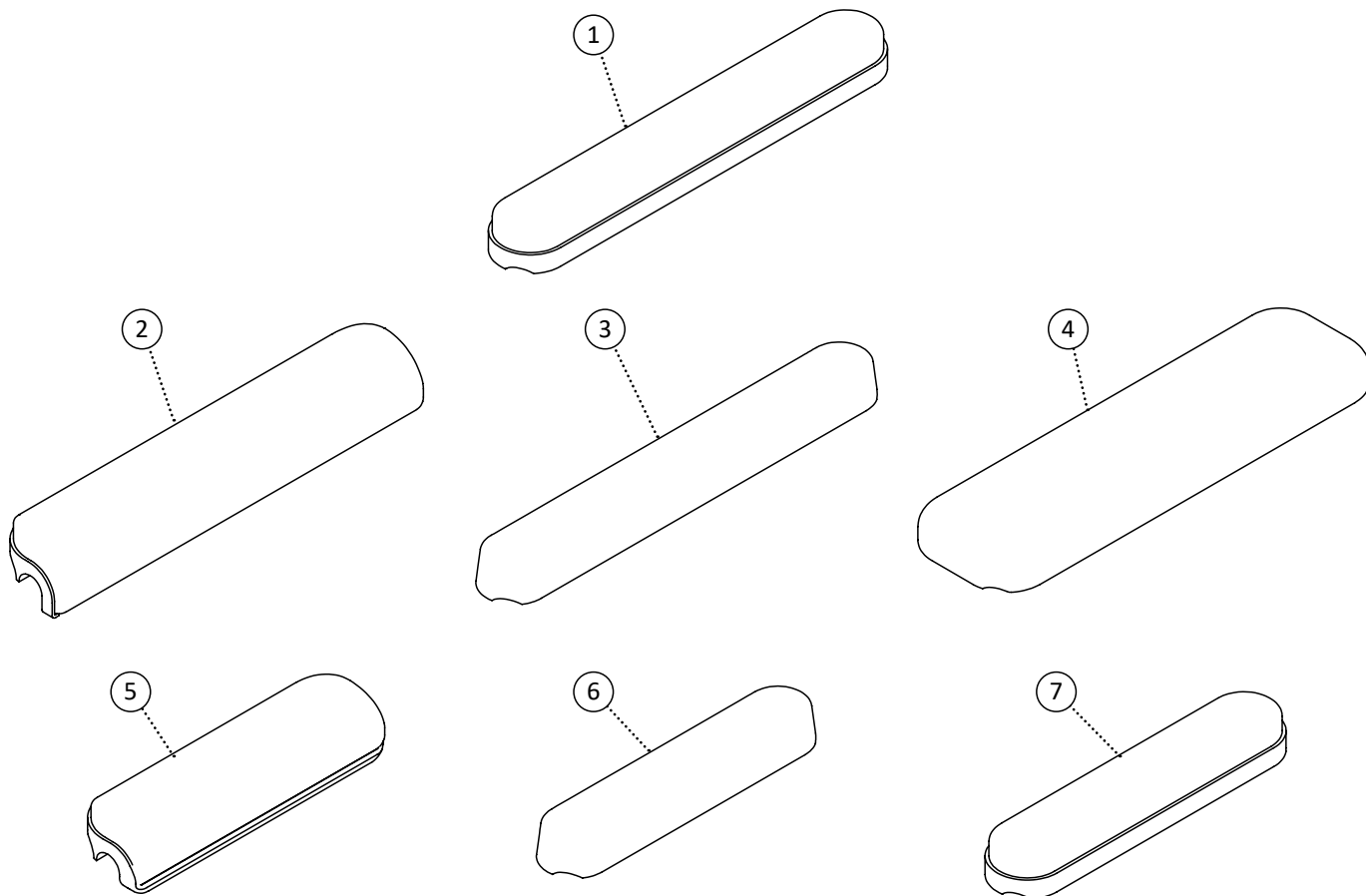


Item	REF Number	Description	Quantity	MSRP	Notes
1		Arm Tops	1		
2	549294	PPM, Wheelchair Side Panel (Flip Back Short)	1		
3	548483	Cap, Arm Lead In Locator	1		
4	549386	Spacer, Arm Release Lever Mount Block	1		
5	549396	Spring, Lever Compression Spring	1		
6	549356	Screw, Retractable Locking Knob	1		
7	548417	Bracket, Arm Release Lever Aluminum	1		
8	548855	Nut, Jam Nut 3/8-16	1		
9	549355	Screw, Pan Head Thread Screw Quadrex 1/4-14 x 1	1		
10	548458	Bushing, Aluminum Bushing Hinge 3/4	1		
11	549379	Screw, Socket Set Screw 1/4-20 x 3/8	1		
12	549311	Nut, Rivet Nut 5/32	1		
13	549666	PPM, Arm Base Female 16 Left (Flip Back Short)	1		
14	549667	PPM, Arm Base Female 16 Right (Flip Back Short)	1		
15	549668	PPM, Arm Base Female 18 Left (Flip Back Short)	1		
16	549669	PPM, Arm Base Female 18 Right (Flip Back Short)	1		
17	549670	PPM, Arm Base Female 20 Left (Flip Back Short)	1		
18	549671	PPM, Arm Base Female 20 Right (Flip Back Short)	1		
19	549672	PPM, Arm Base Female 22 Left (Flip Back Short)	1		

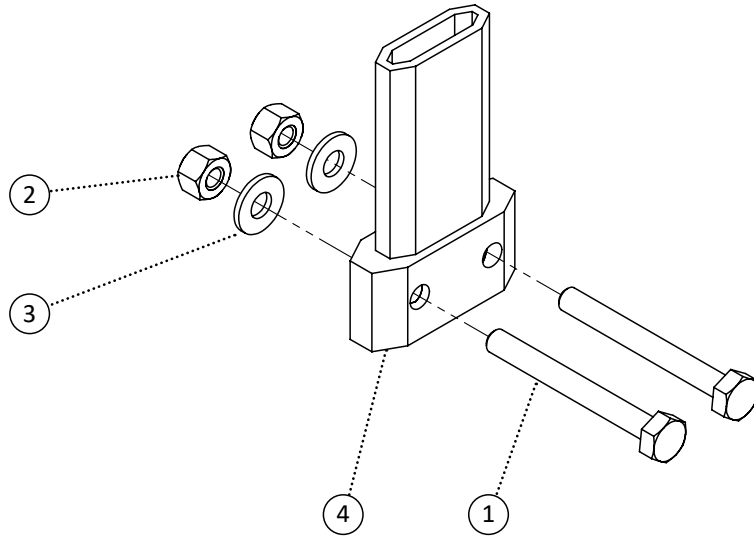
Item	REF Number	Description	Quantity	MSRP	Notes
20	549673	PPM, Arm Base Female 22 Right (Flip Back Short)	1		
1-12,13	549674	Kit, Arm Rest 16 Left (Flip Back Short) Complete	1		
1-12,14	549675	Kit, Arm Rest 16 Right (Flip Back Short) Complete	1		
1-12,15	549676	Kit, Arm Rest 18 Left (Flip Back Short) Complete	1		
1-12,16	549677	Kit, Arm Rest 18 Right (Flip Back Short) Complete	1		
1-12,17	549678	Kit, Arm Rest 20 Left (Flip Back Short) Complete	1		
1-12,18	549679	Kit, Arm Rest 20 Right (Flip Back Short) Complete	1		
1-12,19	549680	Kit, Arm Rest 22 Left (Flip Back Short) Complete	1		
1-12,20	549681	Kit, Arm Rest 22 Right (Flip Back Short) Complete	1		



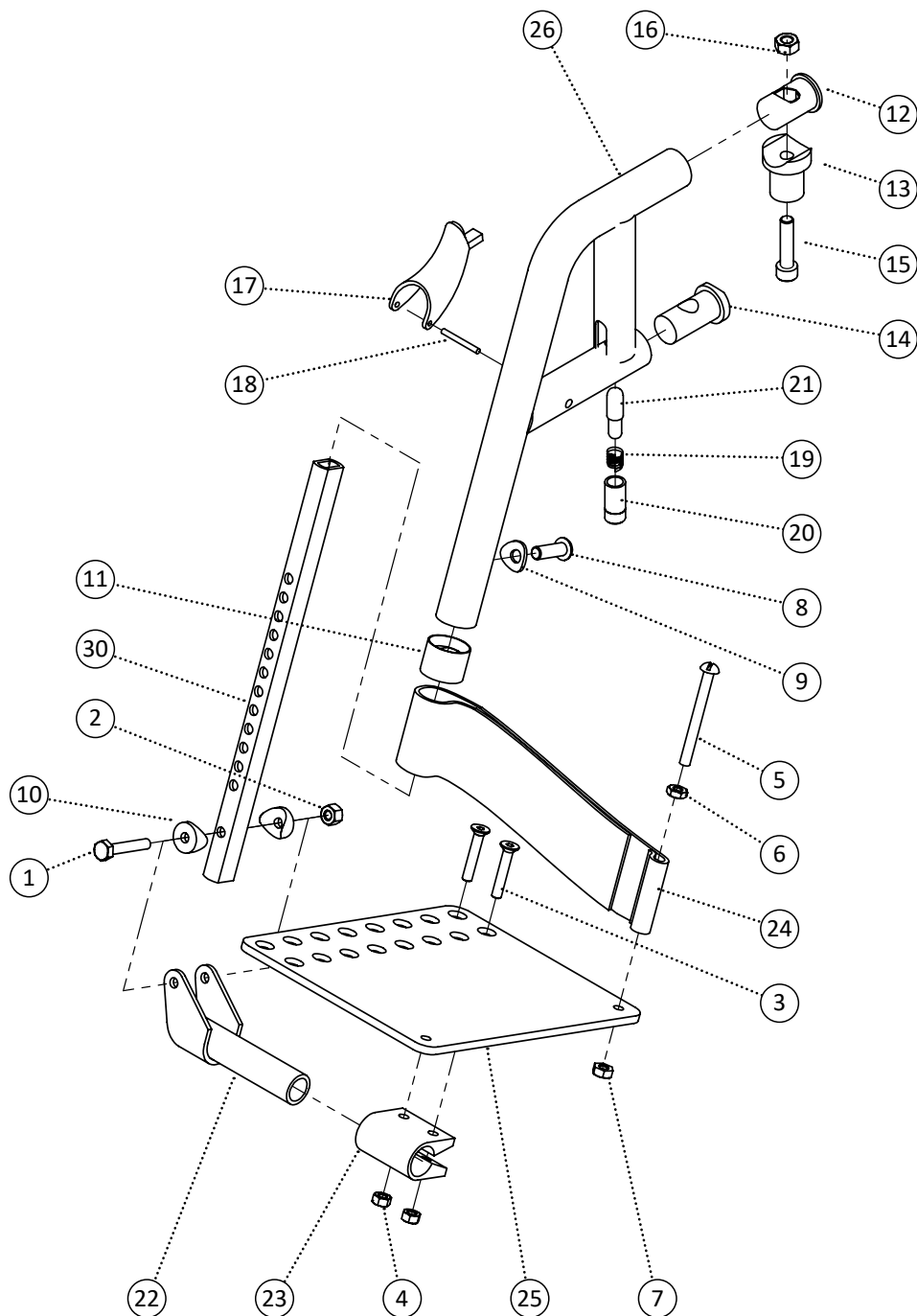
Item	REF Number	Description	Quantity	MSRP	Notes
1	549360	Screw, Round Head 10-24 x 1-1/4	1		
2	548497	Cap, Round Plug 3/4	1		
3	548939	PPM, Arm Top Regular Long	1		
4	548937	PPM, Arm Top Forward Long	1		
5	548941	PPM, Arm Top Short Long	1		
6	548936	PPM, Arm Top Desk Long	1		
7	548940	PPM, Arm Top Regular Short	1		
8	548938	PPM, Arm Top Forward Short	1		
9	548942	PPM, Arm Top Short Short	1		
		Arm Pads	1		
1,2,3	549636	Kit, Arm Top Regular Long Left	1		
1,2,3	549637	Kit, Arm Top Regular Long Right	1		
1,2,4	549638	Kit, Arm Top Forward Long Left	1		
1,2,4	549639	Kit, Arm Top Forward Long Right	1		
1,2,5	549640	Kit, Arm Top Short Long Left	1		
1,2,5	549641	Kit, Arm Top Short Long Right	1		
1,2,6	549642	Kit, Arm Top Desk Long Left	1		
1,2,6	549643	Kit, Arm Top Desk Long Right	1		
1,2,7	549644	Kit, Arm Top Regular Short Left	1		
1,2,7	549645	Kit, Arm Top Regular Short Right	1		
1,2,8	549646	Kit, Arm Top Forward Short Left	1		
1,2,8	549647	Kit, Arm Top Forward Short Right	1		
1,2,9	549648	Kit, Arm Top Short Short Left	1		
1,2,9	549649	Kit, Arm Top Short Short Right	1		



Item	REF Number	Description	Quantity	MSRP	Notes
1	548387	Arm Pad, Padded Full Length	1		
2	548385	Arm Pad, Gel Full Length	1		
3	548389	Arm Pad, Polyurethane Full Length	1		
4	548390	Arm Pad, Wide Full Length	1		
5	548386	Arm Pad, Padded Desk Length	1		
6	548384	Arm Pad, Gel Desk Length	1		
7	548388	Arm Pad, Polyurethane Desk Length	1		
8	548391	Arm Pad, Wide Full Length Gel - 3 Wide	1		
9	548392	Arm Pad, Wide Full Length Gel - 4 Wide	1		

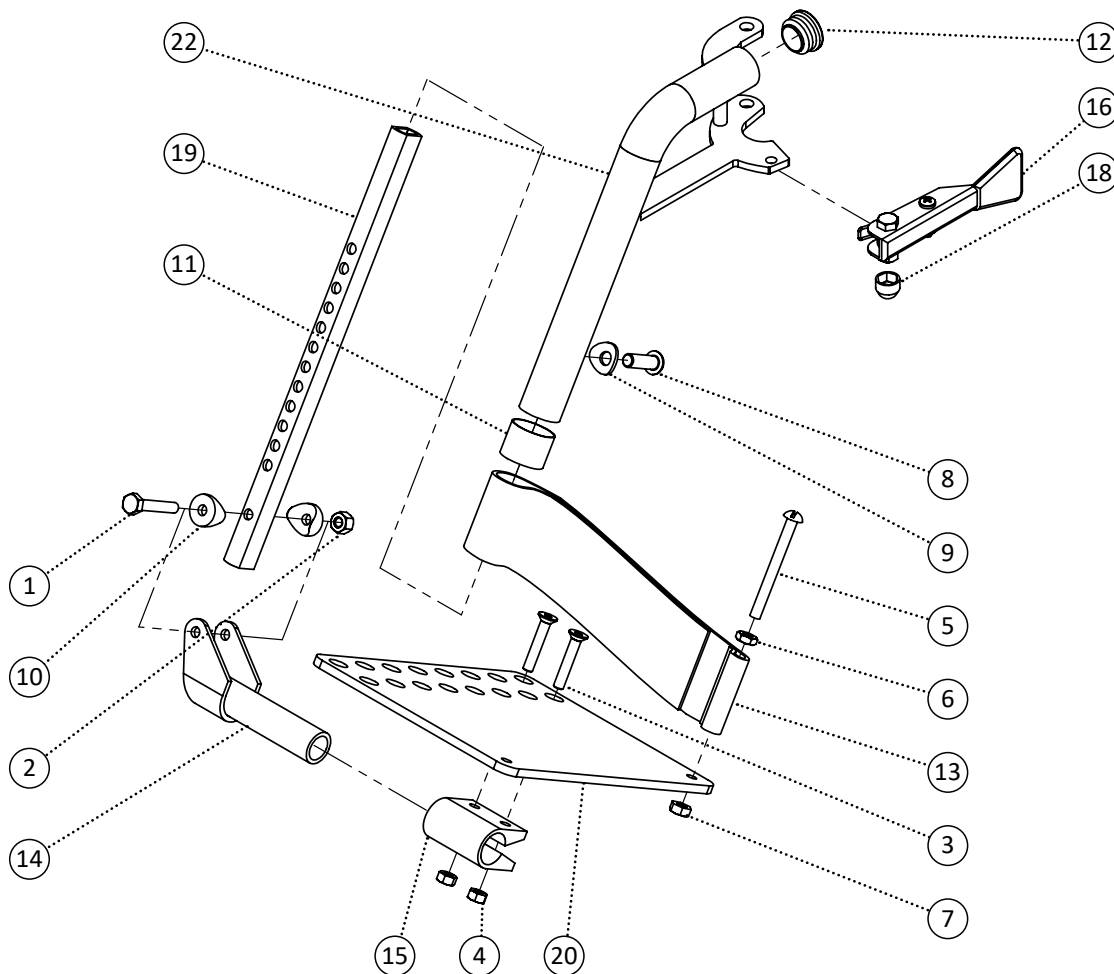


Item	REF Number	Description	Quantity	MSRP	Notes
1	549335	Screw, Hex Bolt 1/4-20 x 2-1/4	2		
2	548859	Nut, Nylon Lock Nut 1/4-20	2		
3	549423	Washer, Flat Washer 1/4 ID. x 5/8 OD.	2		
4	548406	Block, Arm Block Extrusion Regular	1		
<b>1-4</b>	<b>550119</b>	<b>Kit, Arm Block Extrusion Standard Complete</b>	<b>1</b>		

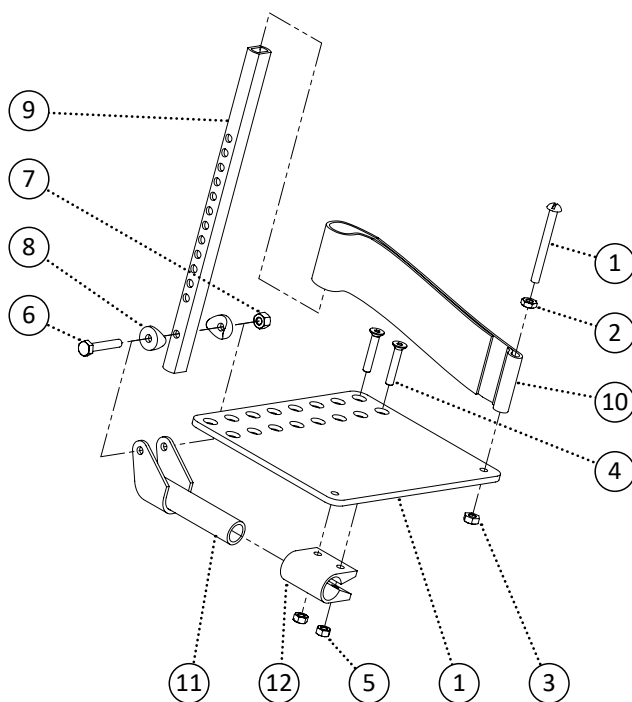




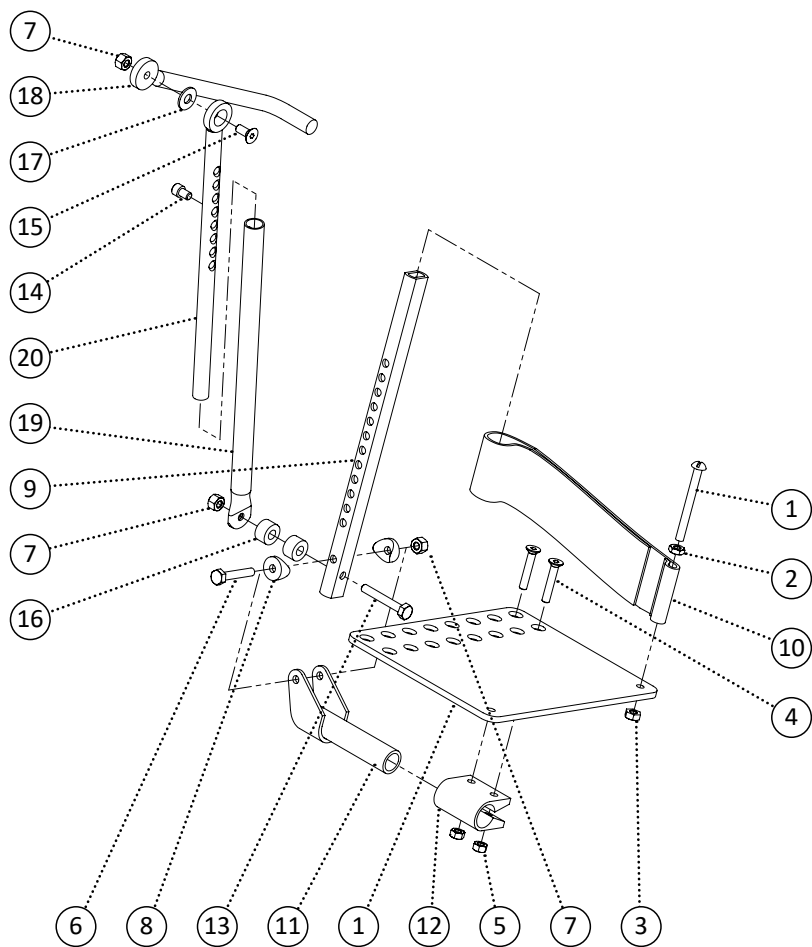
Item	REF Number	Description	Quantity	MSRP	Notes
1	549327	Screw, Hex Bolt 1/4-20 x 1-1/2	1		
2	548859	Nut, Nylon Lock Nut 1/4-20	1		
3	549325	Screw, Flat Head M6-1.0 x 30	2		
4	548866	Nut, Nylon Lock Nut M6-1.0	2		
5	549357	Screw, Round Head 1/4-20 x 2-1/2	1		
6	548852	Nut, Jam Nut 1/4-20	1		
7	548870	Nut, Nylon Lock Nut Thin 1/4-20	1		
8	549354	Screw, Pan Head M8-1.0 x 25	1		
9	549413	Washer, Curved Washer .323 ID. x 3/4 OD. x .07thk	1		
10	549434	Washer, Radius Washer 1/4 ID. x 3/4 OD. x 3/4cu	2		
11	548491	Cap, Footrest End Cap 1	1		
12	548488	Cap, Bushing Attaching Insert	1		
13	548471	Bushing, Radius Insert Bushing	1		
14	548494	Cap, Radius Bushing Attaching Insert	1		
15	549378	Screw, Socket Head M8-1.0 x 35	1		
16	548868	Nut, Nylon Lock Nut M8-1.0	1		
17	548545	Handle, Release Handle	1		
18	548884	Pin, Fixing Pin	1		
19	549399	Spring, Release Spring	1		
20	548459	Bushing, Brass Bushing	1		
21	548890	Pin, Release Pin	1		
22	548522	Footplate, Angle Adjust Hinge Clamp Extension	1		
23	548521	Footplate, Angle Adjust Hinge Clamp	1		
24	549400	Strap, Heel Loop Strap	1		
25	548523	Footplate, Angle Adjust Plate	1		
26	549135	PPM, Pivot Footrest 60 Degree	1		
27	549136	PPM, Pivot Footrest 70 Degree	1		
28	549137	PPM, Pivot Footrest 80 Degree	1		
29	549138	PPM, Pivot Footrest 90 Degree	1		
30	548519	Footplate, Angle Adjust Extension	1		
1-25,26	549297	Kit, Pivot Footrest 60 Degree Left Complete Kit	1		
1-25,26	549298	Kit, Pivot Footrest 60 Degree Right Complete Kit	1		
1-25,27	549299	Kit, Pivot Footrest 70 Degree Left Complete Kit	1		
1-25,27	549300	Kit, Pivot Footrest 70 Degree Right Complete Kit	1		



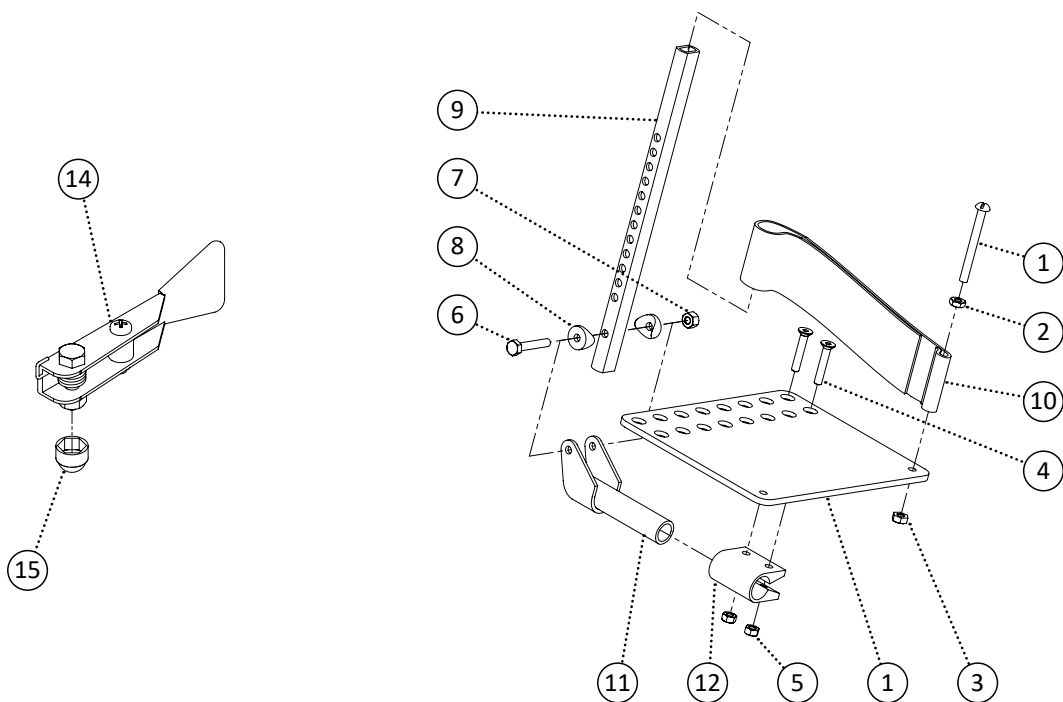
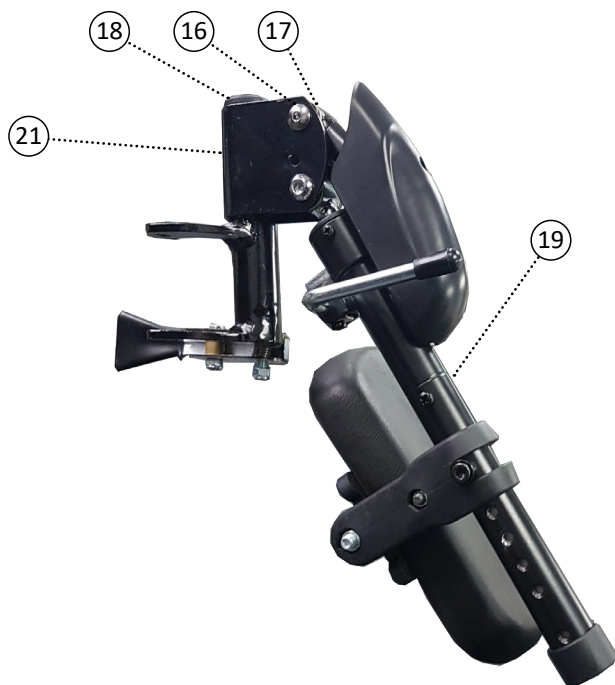
Item	REF Number	Description	Quantity	MSRP	Notes
1	549327	Screw, Hex Bolt 1/4-20 x 1-1/2	1		
2	548859	Nut, Nylon Lock Nut 1/4-20	1		
3	549325	Screw, Flat Head M6-1.0 x 30	2		
4	548866	Nut, Nylon Lock Nut M6-1.0	2		
5	549357	Screw, Round Head 1/4-20 x 2-1/2	1		
6	548852	Nut, Jam Nut 1/4-20	1		
7	548870	Nut, Nylon Lock Nut Thin 1/4-20	1		
8	549354	Screw, Pan Head M8-1.0 x 25	1		
9	549413	Washer, Curved Washer .323 ID. x 3/4 OD. x .07thk	1		
10	549435	Washer, Radius Washer 1/4 ID. x 3/4 OD. x 3/8cu	2		
11	548491	Cap, Footrest End Cap 1	1		
12	548495	Cap, Round Plug 1 x 14ga	1		
13	549400	Strap, Heel Loop Strap	1		
14	548522	Footplate, Angle Adjust Hinge Clamp Extension	1		
15	548521	Footplate, Angle Adjust Hinge Clamp	1		
16	549594	Handle, Pin-Style Release Handle Left	1		
17	549595	Handle, Pin-Style Release Handle Right	1		
18	548480	Cap, 1/4 Nut Cap	1		
19	548519	Footplate, Angle Adjust Extension	1		
20	548523	Footplate, Angle Adjust Plate	1		
21	548524	Footplate, Angle Adjust Plate XL ABS	1		
22	549117	PPM, Pin Style Footrest 60 Degree Left	1		
23	549118	PPM, Pin Style Footrest 60 Degree Right	1		
24	549120	PPM, Pin Style Footrest 70 Degree Left	1		
25	549121	PPM, Pin Style Footrest 70 Degree Right	1		
26	549123	PPM, Pin Style Footrest 80 Degree Left	1		
27	549124	PPM, Pin Style Footrest 80 Degree Right	1		
28	549126	PPM, Pin Style Footrest 90 Degree Left	1		
29	549127	PPM, Pin Style Footrest 90 Degree Right	1		
<b>1-19,22</b>	<b>548758</b>	<b>Kit, Pin Style Footrest 60 Degree Left Complete Kit</b>	<b>1</b>		
<b>1-19,23</b>	<b>548759</b>	<b>Kit, Pin Style Footrest 60 Degree Right Complete Kit</b>	<b>1</b>		
<b>1-19,24</b>	<b>548761</b>	<b>Kit, Pin Style Footrest 70 Degree Left Complete Kit</b>	<b>1</b>		
<b>1-19,25</b>	<b>548762</b>	<b>Kit, Pin Style Footrest 70 Degree Right Complete Kit</b>	<b>1</b>		
<b>1-19,26</b>	<b>548764</b>	<b>Kit, Pin Style Footrest 80 Degree Left Complete Kit</b>	<b>1</b>		
<b>1-19,27</b>	<b>548765</b>	<b>Kit, Pin Style Footrest 80 Degree Right Complete Kit</b>	<b>1</b>		
<b>1-19,28</b>	<b>548767</b>	<b>Kit, Pin Style Footrest 90 Degree Left Complete Kit</b>	<b>1</b>		
<b>1-19,29</b>	<b>548768</b>	<b>Kit, Pin Style Footrest 90 Degree Right Complete Kit</b>	<b>1</b>		
<b>1-7,10,13-15,19,20</b>	<b>548717</b>	<b>Kit, Footplate Angle Adjust Right Complete Kit</b>	<b>1</b>		
<b>1-7,10,13-15,19,20</b>	<b>548716</b>	<b>Kit, Footplate Angle Adjust Left Complete Kit</b>	<b>1</b>		



Item	REF Number	Description	Quantity	MSRP	Notes
1	549357	Screw, Round Head 1/4-20 x 2-1/2	1		
2	548852	Nut, Jam Nut 1/4-20	1		
3	548870	Nut, Nylon Lock Nut Thin 1/4-20	1		
4	549325	Screw, Flat Head M6-1.0 x 30	2		
5	548866	Nut, Nylon Lock Nut M6-1.0	2		
6	549327	Screw, Hex Bolt 1/4-20 x 1-1/2	1		
7	548859	Nut, Nylon Lock Nut 1/4-20	1		
8	549436	Washer, Radius Washer 1/4 ID. x 3/4 OD. x 3/8cu (3/4cu)	2		
9	548519	Footplate, Angle Adjust Extension	1		
10	549400	Strap, Heel Loop Strap	1		
11	548522	Footplate, Angle Adjust Hinge Clamp Extension	1		
12	548521	Footplate, Angle Adjust Hinge Clamp	1		
13	548708	Kit, Elevating Footrest Hanger Upper	1		
14	548706	Kit, Elevating Footrest Extension Tube	1		
15	548705	Kit, Elevating Footrest Calf Pad	1		
1-15	548711	Kit, Elevating Pivot Footrest Left Complete Kit	1		
1-15	548712	Kit, Elevating Pivot Footrest Right Complete Kit	1		

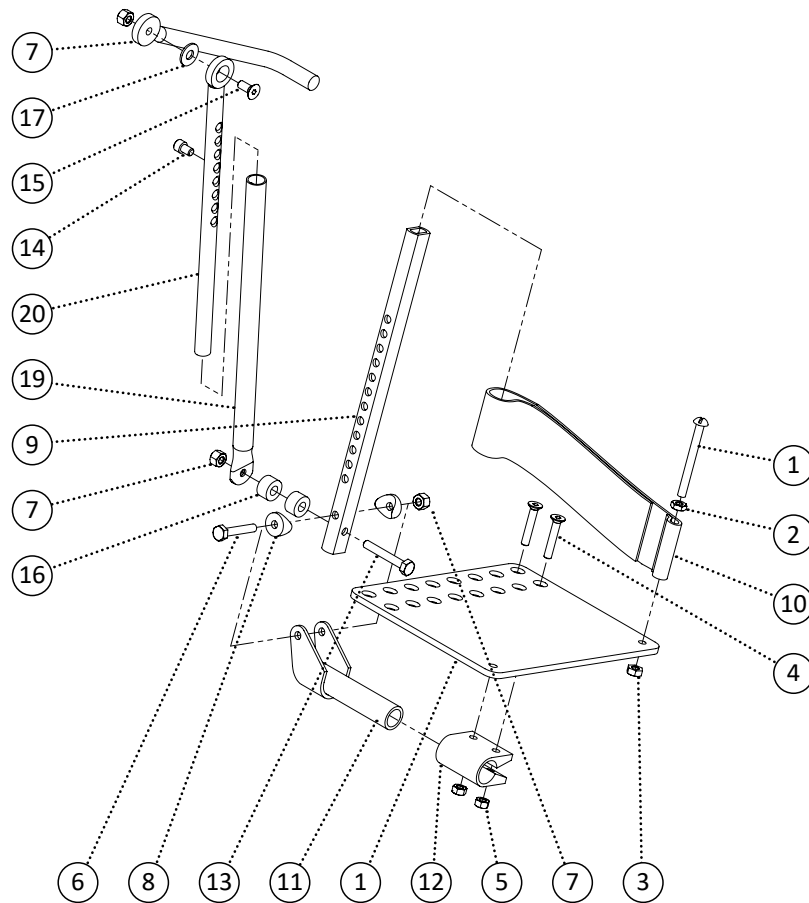
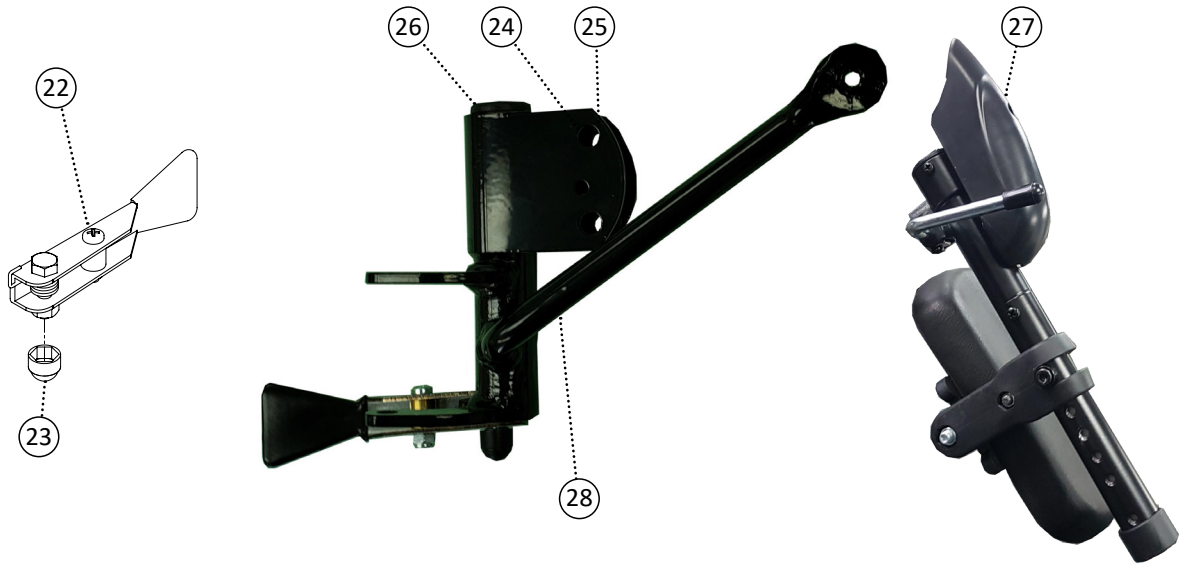


Item	REF Number	Description	Quantity	MSRP	Notes
1	549357	Screw, Round Head 1/4-20 x 2-1/2	1		
2	548852	Nut, Jam Nut 1/4-20	1		
3	548870	Nut, Nylon Lock Nut Thin 1/4-20	1		
4	549325	Screw, Flat Head M6-1.0 x 30	2		
5	548866	Nut, Nylon Lock Nut M6-1.0	2		
6	549327	Screw, Hex Bolt 1/4-20 x 1-1/2	1		
7	548859	Nut, Nylon Lock Nut 1/4-20	1		
8	549436	Washer, Radius Washer 1/4 ID. x 3/4 OD. x 3/8cu (3/4cu)	2		
9	548520	Footplate, Angle Adjust Extension Articulating	1		
10	549400	Strap, Heel Loop Strap	1		
11	548522	Footplate, Angle Adjust Hinge Clamp Extension	1		
12	548521	Footplate, Angle Adjust Hinge Clamp	1		
13	549330	Screw, Hex Bolt 1/4-20 x 1-3/4	1		
14	549372	Screw, Socket Head 1/4-20 x 3/8	1		
15	549323	Screw, Flat Head 1/4-20 x 5/8	1		
16	549392	Spacer, Nylon Spacer 5/16 ID. x .7 OD x .4thk (blk)	1		
17	549430	Washer, Nylon Washer 5/16 ID. x 3/4 OD. x .063thk	1		
18	549134	PPM, Pivot Articulating Arm	1		
19	548945	PPM, Articulating Receiver	1		
20	548944	PPM, Articulating Extension	1		
21	548533	Guard, Articulating Arm Guard	1		
<b>22</b>	<b>548624</b>	<b>Kit, Articulating Pivot Footrest Left Hanger</b>	<b>1</b>		
<b>23</b>	<b>548626</b>	<b>Kit, Articulating Pivot Footrest Right Hanger</b>	<b>1</b>		
<b>1-22</b>	<b>548623</b>	<b>Kit, Articulating Pivot Footrest Left Complete Kit</b>	<b>1</b>		
<b>1-21,23</b>	<b>548625</b>	<b>Kit, Articulating Pivot Footrest Right Complete Kit</b>	<b>1</b>		

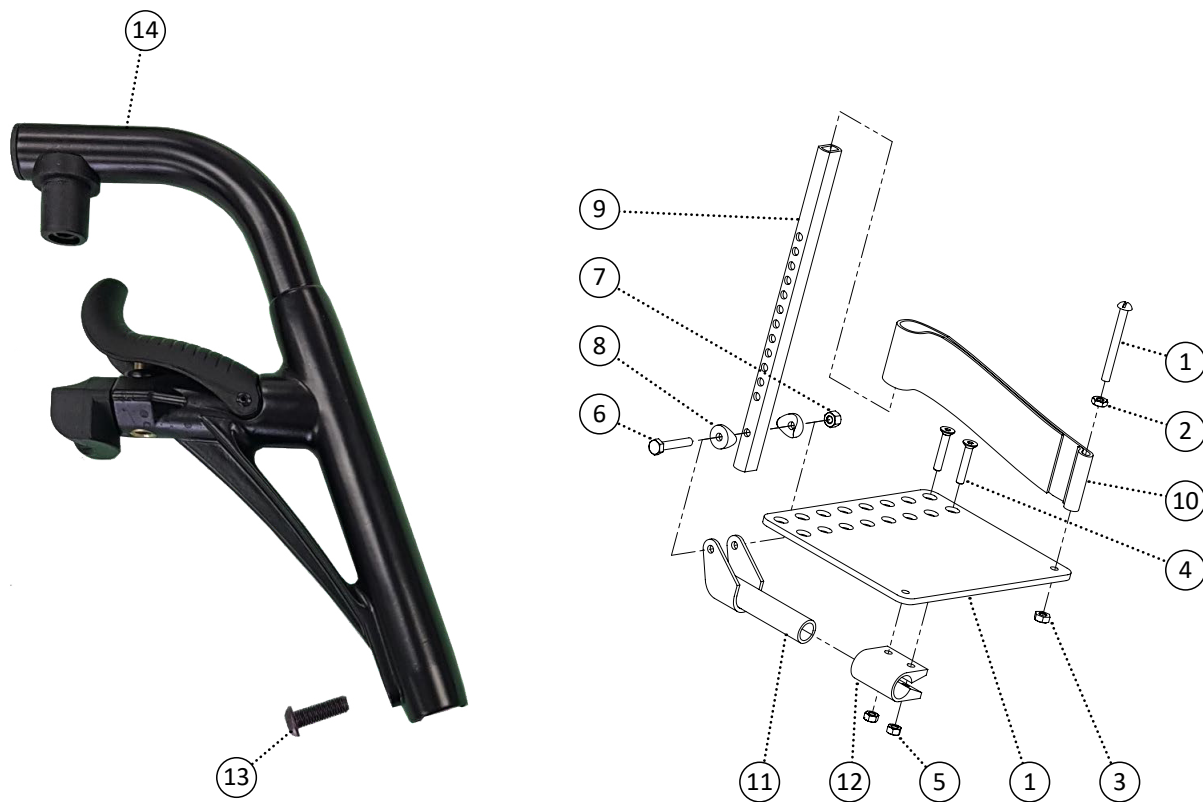




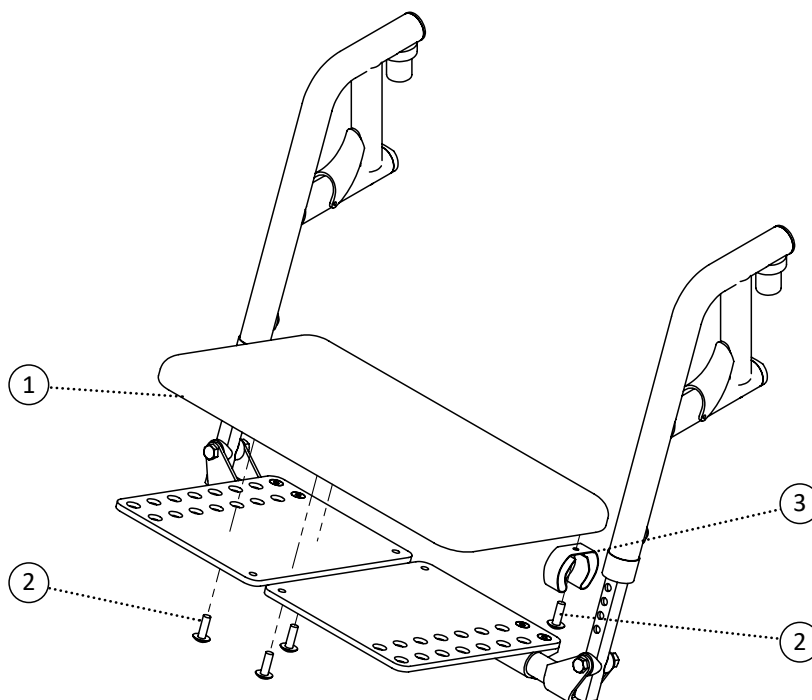
Item	REF Number	Description	Quantity	MSRP	Notes
1	549357	Screw, Round Head 1/4-20 x 2-1/2	1		
2	548852	Nut, Jam Nut 1/4-20	1		
3	548870	Nut, Nylon Lock Nut Thin 1/4-20	1		
4	549325	Screw, Flat Head M6-1.0 x 30	2		
5	548866	Nut, Nylon Lock Nut M6-1.0	2		
6	549327	Screw, Hex Bolt 1/4-20 x 1-1/2	1		
7	548859	Nut, Nylon Lock Nut 1/4-20	1		
8	549436	Washer, Radius Washer 1/4 ID. x 3/4 OD. x 3/8cu (3/4cu)	2		
9	548519	Footplate, Angle Adjust Extension	1		
10	549400	Strap, Heel Loop Strap	1		
11	548522	Footplate, Angle Adjust Hinge Clamp Extension	1		
12	548521	Footplate, Angle Adjust Hinge Clamp	1		
13	549594	Handle, Pin-Style Release Handle Left	1		
14	549595	Handle, Pin-Style Release Handle Right	1		
15	548480	Cap, 1/4 Nut Cap	1		
16	549362	Screw, Round Head M6-1.0 x 12	1		
17	549363	Nut, Round Head Receiver M6-1.0 x 12	1		
18	548496	Cap, Round Plug 1 x 18ga	1		
19	548707	Kit, Elevating Footrest Extension Tube and Calf Pad	1		
20	549132	PPM, Pin-Style Hanger Elevating Left	1		
21	549133	PPM, Pin-Style Hanger Elevating Right	1		
<b>1-12,13,15-19,20</b>	<b>548709</b>	<b>Kit, Elevating Pin-Style Footrest Left Complete Kit</b>	<b>1</b>		
<b>1-12,14,15-19,21</b>	<b>548710</b>	<b>Kit, Elevating Pin-Style Footrest Right Complete Kit</b>	<b>1</b>		



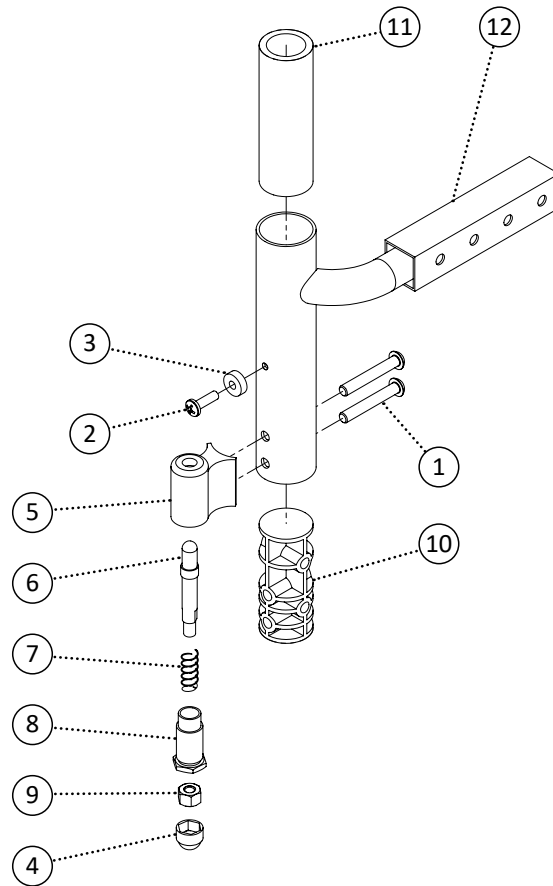
Item	REF Number	Description	Quantity	MSRP	Notes
1	549357	Screw, Round Head 1/4-20 x 2-1/2	1		
2	548852	Nut, Jam Nut 1/4-20	1		
3	548870	Nut, Nylon Lock Nut Thin 1/4-20	1		
4	549325	Screw, Flat Head M6-1.0 x 30	2		
5	548866	Nut, Nylon Lock Nut M6-1.0	2		
6	549327	Screw, Hex Bolt 1/4-20 x 1-1/2	1		
7	548859	Nut, Nylon Lock Nut 1/4-20	1		
8	549436	Washer, Radius Washer 1/4 ID. x 3/4 OD. x 3/8cu (3/4cu)	2		
9	548520	Footplate, Angle Adjust Extension Articulating	1		
10	549400	Strap, Heel Loop Strap	1		
11	548522	Footplate, Angle Adjust Hinge Clamp Extension	1		
12	548521	Footplate, Angle Adjust Hinge Clamp	1		
13	549330	Screw, Hex Bolt 1/4-20 x 1-3/4	1		
14	549372	Screw, Socket Head 1/4-20 x 3/8	1		
15	549323	Screw, Flat Head 1/4-20 x 5/8	1		
16	549392	Spacer, Nylon Spacer 5/16 ID. x .7 OD x .4thk (blk)	1		
17	549430	Washer, Nylon Washer 5/16 ID. x 3/4 OD. x .063thk	1		
18	548945	PPM, Articulating Receiver	1		
19	548944	PPM, Articulating Extension	1		
20	548533	Guard, Articulating Arm Guard	1		
21	549594	Handle, Pin-Style Release Handle Left	1		
22	549595	Handle, Pin-Style Release Handle Right	1		
23	548480	Cap, 1/4 Nut Cap	1		
24	549362	Screw, Round Head M6-1.0 x 12	1		
25	549363	Nut, Round Head Receiver M6-1.0 x 12	1		
26	548496	Cap, Round Plug 1 x 18ga	1		
<b>27</b>	<b>548618</b>	<b>Kit, Articulating Footrest Extension Tube and Calf Pad</b>	<b>1</b>		
28	549130	PPM, Pin-Style Hanger Articulating Left	1		
29	549131	PPM, Pin-Style Hanger Articulating Right	1		
<b>21,23-27,28</b>	<b>548620</b>	<b>Kit, Articulating Pin-Style Footrest Left Hanger</b>	<b>1</b>		
<b>22,23-27,29</b>	<b>548622</b>	<b>Kit, Articulating Pin-Style Footrest Right Hanger</b>	<b>1</b>		
<b>1-20,21,23-27,28</b>	<b>548619</b>	<b>Kit, Articulating Pin-Style Footrest Left Complete Kit</b>	<b>1</b>		
<b>1-20,22,23-27,29</b>	<b>548621</b>	<b>Kit, Articulating Pin-Style Footrest Right Complete Kit</b>	<b>1</b>		



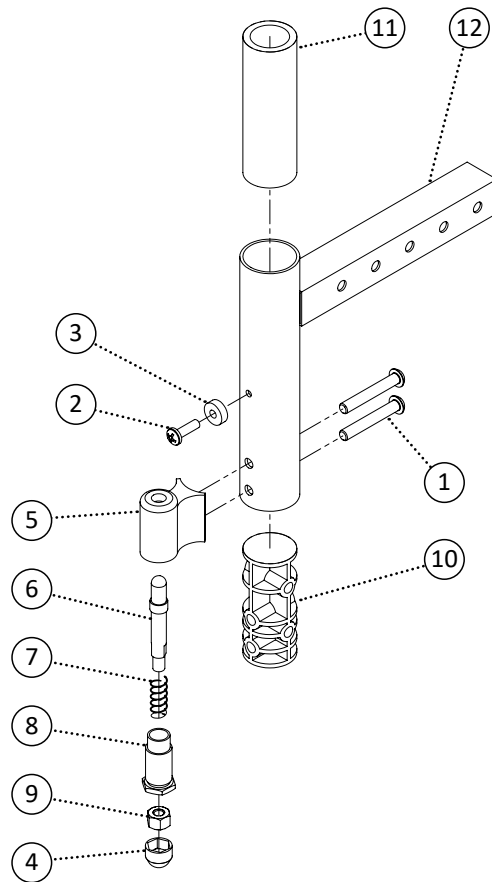
Item	REF Number	Description	Quantity	MSRP	Notes
1	549357	Screw, Round Head 1/4-20 x 2-1/2	1		
2	548852	Nut, Jam Nut 1/4-20	1		
3	548870	Nut, Nylon Lock Nut Thin 1/4-20	1		
4	549325	Screw, Flat Head M6-1.0 x 30	2		
5	548866	Nut, Nylon Lock Nut M6-1.0	2		
6	549327	Screw, Hex Bolt 1/4-20 x 1-1/2	1		
7	548859	Nut, Nylon Lock Nut 1/4-20	1		
8	549436	Washer, Radius Washer 1/4 ID. x 3/4 OD. x 3/8cu (3/4cu)	2		
9	548519	Footplate, Angle Adjust Extension	1		
10	549400	Strap, Heel Loop Strap	1		
11	548522	Footplate, Angle Adjust Hinge Clamp Extension	1		
12	548521	Footplate, Angle Adjust Hinge Clamp	1		
13	548526	Footrest, Pivot Footrest 70 Degree	1		
14	549354	Screw, Pan Head M8-1.0 x 25	1		
1-14	548774	Kit, Pivot Footrest 70 Degree Left (T) Complete Kit	1		
1-14	548775	Kit, Pivot Footrest 70 Degree Right (T) Complete Kit	1		



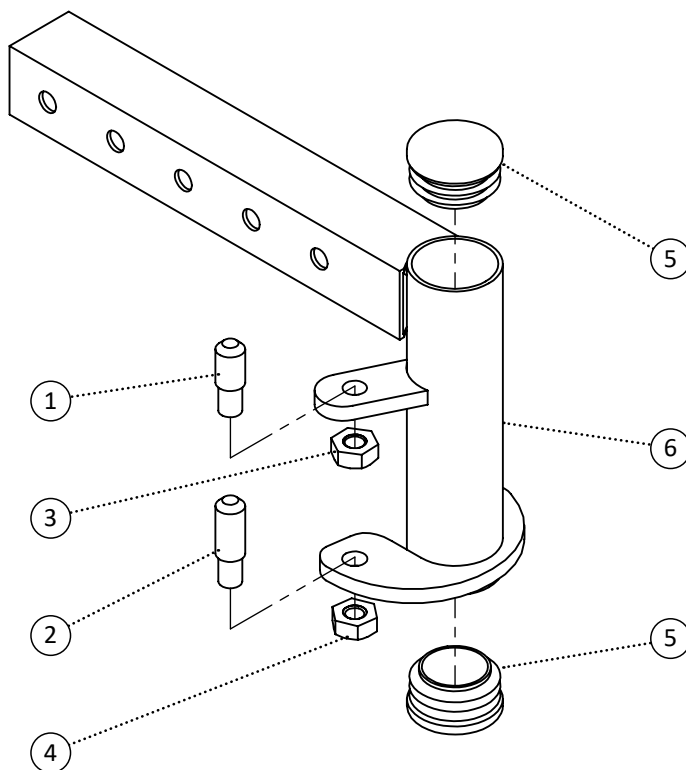
Item	REF Number	Description	Quantity	MSRP	Notes
1	548881	Padding, One Piece Footboard Pad	1		
2	549382	Screw, Truss Head 1/4-20 x 3/4	4		
3	548510	Clamp, Rubber Clamp 1	1		



Item	REF Number	Description	Quantity	MSRP	Notes
1	549353	Screw, Pan Head M6-1.0 x 40	2		
2	549351	Screw, Pan Head 10-32 x 5/8	1		
3	549388	Spacer, Nylon Spacer 3/16 ID. x .516 OD. x .171thk	1		
4	548480	Cap, 1/4 Nut Cap	1		
5	548411	Block, Pivot Footrest Block	1		
6	548889	Pin, Pivot Footrest Block Pin	1		
7	549398	Spring, Pivot Footrest Block Spring	1		
8	548876	Nut, Pivot Footrest Block Nut	1		
9	548859	Nut, Nylon Lock Nut 1/4-20	1		
10	548463	Bushing, Front Post Insert	1		
11	548465	Bushing, Front Post Sleeve	1		
12	549139	PPM, Pivot Footrest Offset Extension	1		
<b>1-12</b>	<b>548779</b>	<b>Kit, Pivot Footrest Receiver Offset Complete Kit</b>	<b>1</b>		



Item	REF Number	Description	Quantity	MSRP	Notes
1	549353	Screw, Pan Head M6-1.0 x 40	2		
2	549351	Screw, Pan Head 10-32 x 5/8	1		
3	549388	Spacer, Nylon Spacer 3/16 ID. x .516 OD. x .171thk	1		
4	548480	Cap, 1/4 Nut Cap	1		
5	548411	Block, Pivot Footrest Block	1		
6	548889	Pin, Pivot Footrest Block Pin	1		
7	549398	Spring, Pivot Footrest Block Spring	1		
8	548876	Nut, Pivot Footrest Block Nut	1		
9	548859	Nut, Nylon Lock Nut 1/4-20	1		
10	548463	Bushing, Front Post Insert	1		
11	548465	Bushing, Front Post Sleeve	1		
12	549078	PPM, Footrest Extension Insert	1		
<b>1-12</b>	<b>548778</b>	<b>Kit, Pivot Footrest Receiver Complete Kit</b>	<b>1</b>		

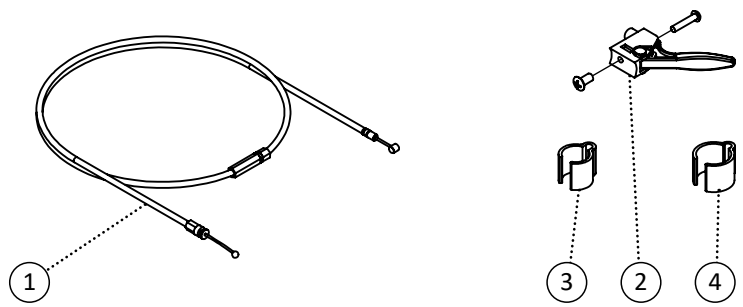
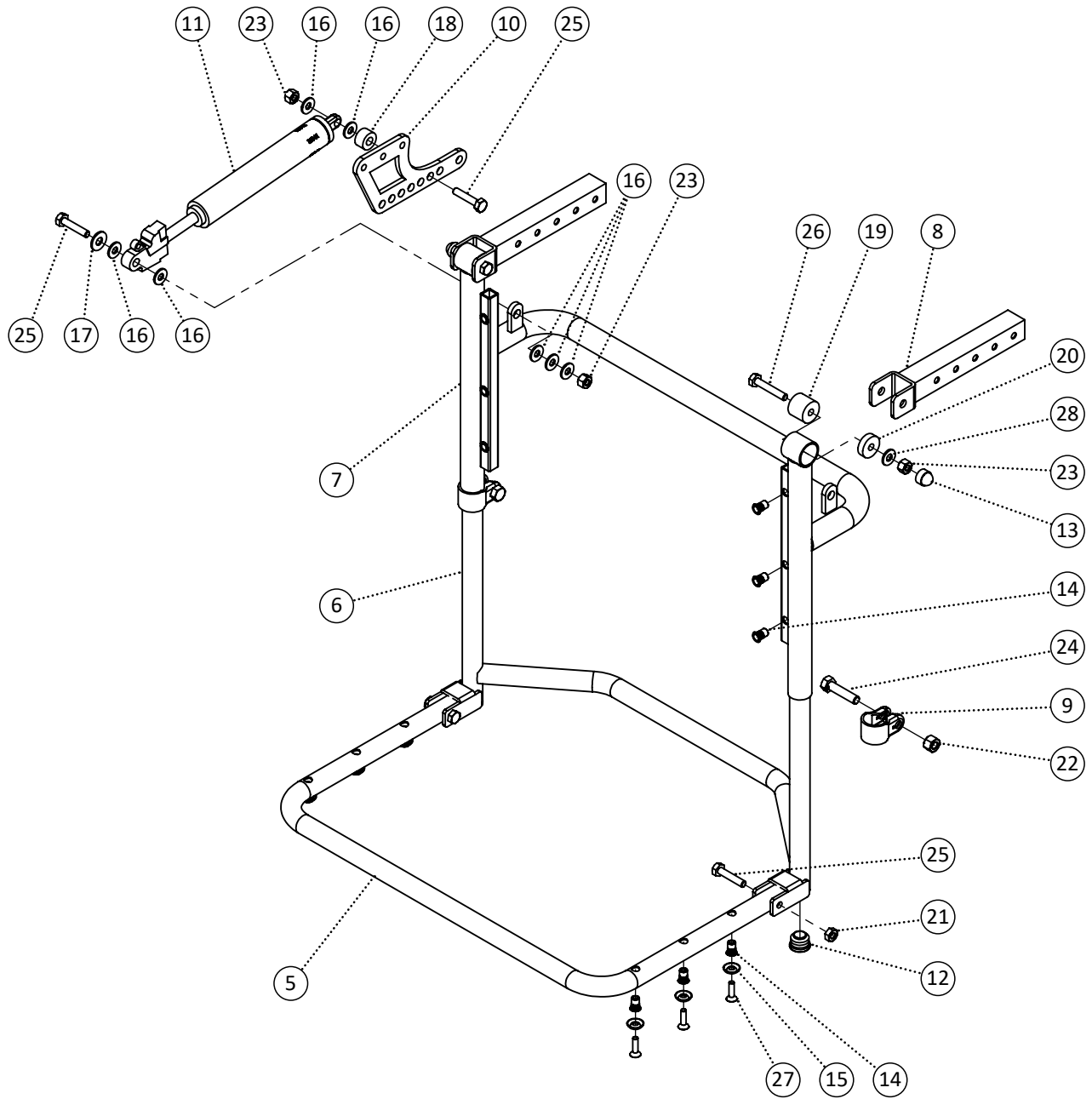


Item	REF Number	Description	Quantity	MSRP	Notes
1	548887	Pin, Pin Style Pin 1/4-28 Short	1		
2	548885	Pin, Pin Style Pin 1/4-20 Long	1		
3	548872	Nut, Nylon Lock Nut Thin 1/4-28	1		
4	548870	Nut, Nylon Lock Nut Thin 1/4-20	1		
5	548496	Cap, Round Plug 1 x 18ga	2		
6	549128	PPM, Pin Style Footrest Receiver Left	1		
7	549129	PPM, Pin Style Footrest Receiver Right	1		
1-6	548770	Kit, Pin Style Footrest Receiver Left Complete Kit	1		
1-5,7	548771	Kit, Pin Style Footrest Receiver Right Complete Kit	1		

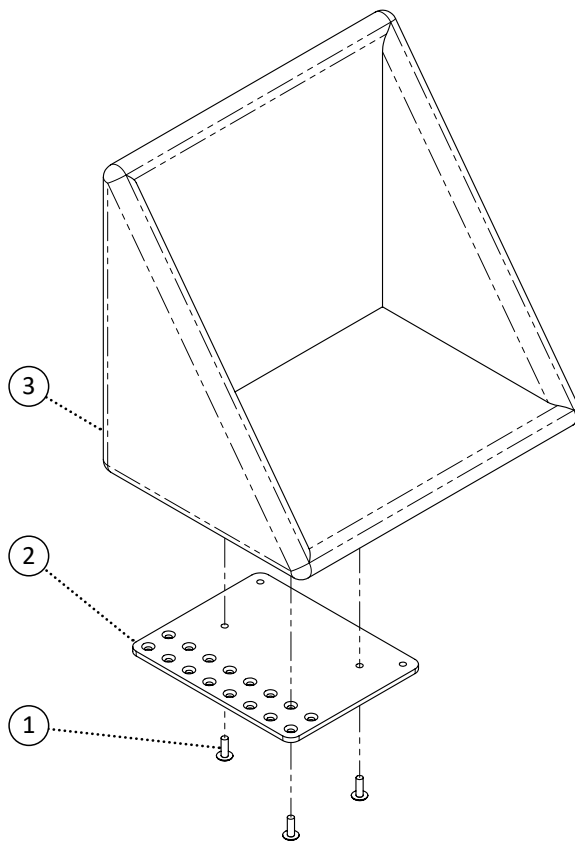




Item	REF Number	Description	Quantity	MSRP	Notes
1	548538	Guard, Pivot Footrest Hanger Cover Left	1		
2	548539	Guard, Pivot Footrest Hanger Cover Right	1		
3	548534	Guard, Elevating Footrest Hanger Cover Left	1		
4	548535	Guard, Elevating Footrest Hanger Cover Right	1		
5	548541	Guard, Pivot Footrest Receiver Cover	1		
6	548540	Guard, Pin-Style Footrest Receiver Cover	1		
7	548536	Guard, Folding Footrest Receiver Cover Left	1		
8	548537	Guard, Folding Footrest Receiver Cover Right	1		

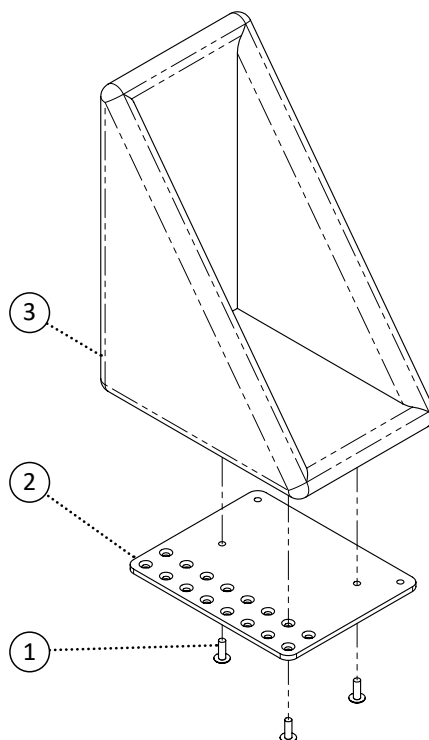


Item	REF Number	Description	Quantity	MSRP	Notes
1	549116	Cable, 1 PC Elevating Sys. Adjustable Cable	1		
2	549409	Trigger, Tilt Trigger	1		
3	548504	Clamp, 7/8 Tube Clamp	1		
4	548503	Clamp, 1 Tube Clamp	1		
5	549119	PPM, 1 PC Elevating Sys. - Flip Up Footrest Frame	1		
6	549122	PPM, 1 PC Elevating Sys. - Footrest Extension	2		
7	549125	PPM, 1 PC Elevating Sys. - Footrest Hanger	2		
8	549305	PPM, 1 PC Elevating Sys. - Frame Mount Ext.	2		
9	548766	Clamp, 7/8 Pinch Clamp	2		
10	549306	Bracket, Elevating Leg Rest Gas Spring Mt.	1		
11	548943	Cylinder, Gas Spring 150N	1		
12	548481	Cap, 3/4 Round Plug	4		
13	548480	Cap, 1/4 Nut Cap	2		
14	548879	Nut, Rivet Nut 10-32	12		
15	549418	Washer, Finishing Washer #10	6		
16	549428	Washer, Nylon Washer .265ID x 5/8 OD x .063th	7		
17	549430	Washer, Nylon Washer 5/16 ID. x 3/4 OD. x .063thk	1		
18	549392	Spacer, Nylon Spacer 5/16 ID. x .7 OD x .4thk (blk)	1		
19	548546	Spacer, Nylon Spacer .265 ID x 7/8 OD x .875th	2		
20	548549	Spacer, Nylon Spacer .265 ID x 7/8 OD x .25th	2		
21	548870	Nut, Nylon Lock Nut Thin 1/4-20	2		
22	548757	Nut, Nylon Lock Nut 5/16-20	2		
23	548859	Nut, Nylon Lock Nut 1/4-20	4		
24	548760	Screw, Hex Bolt 5/16-20 x 7/8 (w/ Tab)	2		
25	549329	Screw, Hex Bolt 1/4-20 x 1-1/4	4		
26	549327	Screw, Hex Bolt 1/4-20 x 1-1/2	2		
27	549324	Screw, Flat Head 10-32 x 3/4	6		
28	549423	Washer, Flat Washer 1/4 ID. x 5/8 OD.	2		
<b>1-28</b>	<b>548763</b>	<b>Kit, Elevating Legrest System One Piece Complete Kit</b>	<b>1</b>		



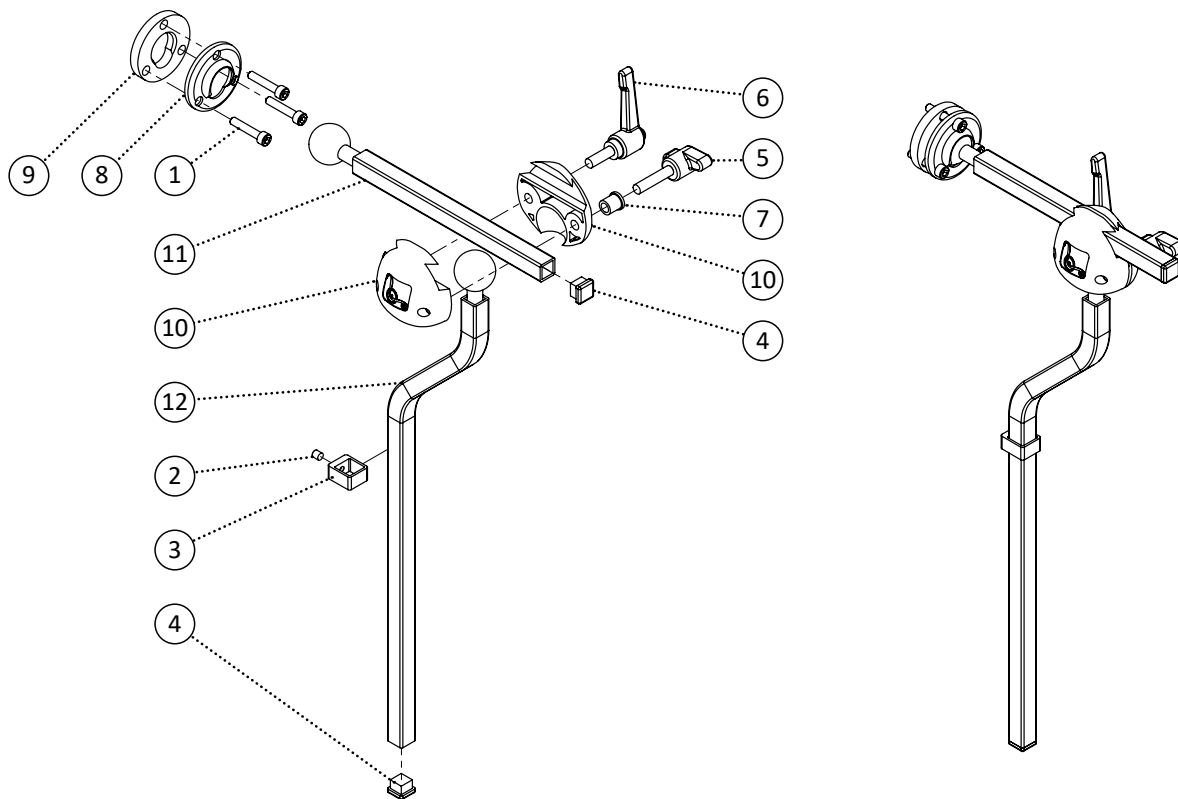
Item	REF Number	Description	Quantity	MSRP	Notes
1	549382	Screw, Truss Head 1/4-20 x 3/4	3		
2	549776	Footplate, Angle Adjust Plate 16 Footbox Left	1		
3	549777	Footplate, Angle Adjust Plate 16 Footbox Right	1		
4	549778	Footplate, Angle Adjust Plate 18 Footbox Left	1		
5	549779	Footplate, Angle Adjust Plate 18 Footbox Right	1		
6	549780	Footplate, Angle Adjust Plate 20 Footbox Left	1		
7	549781	Footplate, Angle Adjust Plate 20 Footbox Right	1		
8	549782	PPM, Footbox Soft 16	1		
9	549783	PPM, Footbox Soft 18	1		
10	549784	PPM, Footbox Soft 20	1		
11	549785	PPM, Footbox Soft 22	1		
12	549786	PPM, Footbox Soft 24	1		
13	549787	PPM, Footbox Soft 26	1		
14	549788	PPM, Footbox Soft 28	1		
15	549789	PPM, Footbox Soft 30	1		
16	549790	PPM, Footbox Hard 16	1		
17	549791	PPM, Footbox Hard 18	1		
18	549792	PPM, Footbox Hard 20	1		
19	549793	PPM, Footbox Hard 22	1		

<b>Item</b>	<b>REF Number</b>	<b>Description</b>	<b>Quantity</b>	<b>MSRP</b>	<b>Notes</b>
20	549794	PPM, Footbox Hard 24	1		
21	549795	PPM, Footbox Hard 26	1		
22	549796	PPM, Footbox Hard 28	1		
23	549797	PPM, Footbox Hard 30	1		
<b>1,2,3,16</b>	<b>549798</b>	<b>Kit, Footbox Hard 16 Complete</b>	<b>1</b>		
<b>1,4,5,17</b>	<b>549799</b>	<b>Kit, Footbox Hard 18 Complete</b>	<b>1</b>		
<b>1,6,7,18</b>	<b>549800</b>	<b>Kit, Footbox Hard 20 Complete</b>	<b>1</b>		
<b>1,6,7,19</b>	<b>549801</b>	<b>Kit, Footbox Hard 22 Complete</b>	<b>1</b>		
<b>1,6,7,20</b>	<b>549802</b>	<b>Kit, Footbox Hard 24 Complete</b>	<b>1</b>		
<b>1,6,7,21</b>	<b>549803</b>	<b>Kit, Footbox Hard 26 Complete</b>	<b>1</b>		
<b>1,6,7,22</b>	<b>549804</b>	<b>Kit, Footbox Hard 28 Complete</b>	<b>1</b>		
<b>1,6,7,23</b>	<b>549805</b>	<b>Kit, Footbox Hard 30 Complete</b>	<b>1</b>		



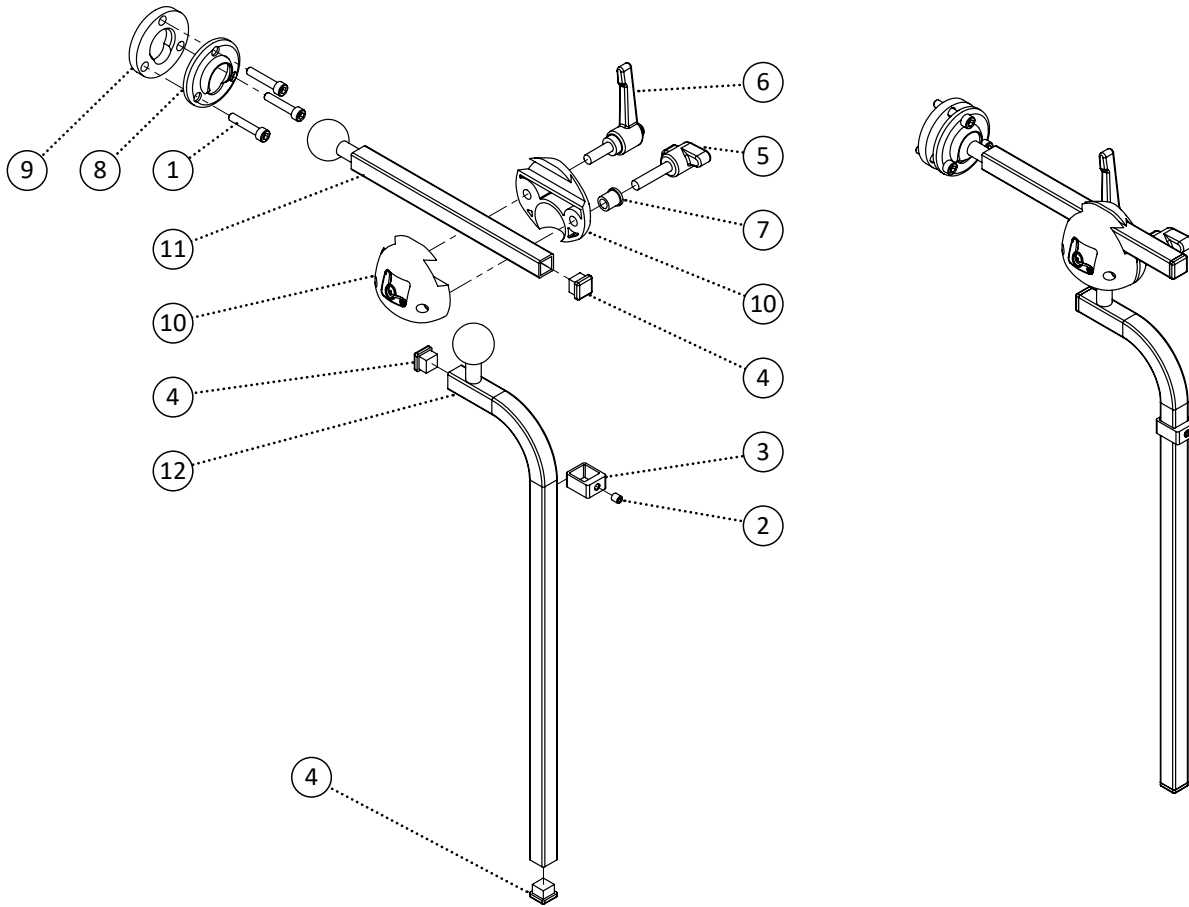
Item	REF Number	Description	Quantity	MSRP	Notes
1	549382	Screw, Truss Head 1/4-20 x 3/4	3		
2	549776	Footplate, Angle Adjust Plate 16 Footbox Left	1		
3	549777	Footplate, Angle Adjust Plate 16 Footbox Right	1		
4	549778	Footplate, Angle Adjust Plate 18 Footbox Left	1		
5	549779	Footplate, Angle Adjust Plate 18 Footbox Right	1		
6	549780	Footplate, Angle Adjust Plate 20 Footbox Left	1		
7	549781	Footplate, Angle Adjust Plate 20 Footbox Right	1		
8	549806	PPM, Foot Pocket Hard 16	1		
9	549807	PPM, Foot Pocket Hard 18	1		
10	549808	PPM, Foot Pocket Hard 20	1		
11	549809	PPM, Foot Pocket Hard 22	1		
12	549810	PPM, Foot Pocket Hard 24	1		
13	549811	PPM, Foot Pocket Hard 26	1		
14	549812	PPM, Foot Pocket Hard 28	1		
15	549813	PPM, Foot Pocket Hard 30	1		
<b>1,2,8</b>	<b>549814</b>	<b>Kit, Foot Pocket Hard 16 Left Complete</b>	<b>1</b>		
<b>1,3,8</b>	<b>549815</b>	<b>Kit, Foot Pocket Hard 16 Right Complete</b>	<b>1</b>		
<b>1,4,9</b>	<b>549816</b>	<b>Kit, Foot Pocket Hard 18 Left Complete</b>	<b>1</b>		
<b>1,5,9</b>	<b>549817</b>	<b>Kit, Foot Pocket Hard 18 Right Complete</b>	<b>1</b>		

Item	REF Number	Description	Quantity	MSRP	Notes
1,6,10	549818	Kit, Foot Pocket Hard 20 Left Complete	1		
1,7,10	549819	Kit, Foot Pocket Hard 20 Right Complete	1		
1,6,11	549820	Kit, Foot Pocket Hard 22 Left Complete	1		
1,7,11	549821	Kit, Foot Pocket Hard 22 Right Complete	1		
1,6,12	549822	Kit, Foot Pocket Hard 24 Left Complete	1		
1,7,12	549823	Kit, Foot Pocket Hard 24 Right Complete	1		
1,6,13	549824	Kit, Foot Pocket Hard 26 Left Complete	1		
1,7,13	549825	Kit, Foot Pocket Hard 26 Right Complete	1		
1,6,14	549826	Kit, Foot Pocket Hard 28 Left Complete	1		
1,7,14	549827	Kit, Foot Pocket Hard 28 Right Complete	1		
1,6,15	549828	Kit, Foot Pocket Hard 30 Left Complete	1		
1,7,15	549829	Kit, Foot Pocket Hard 30 Right Complete	1		

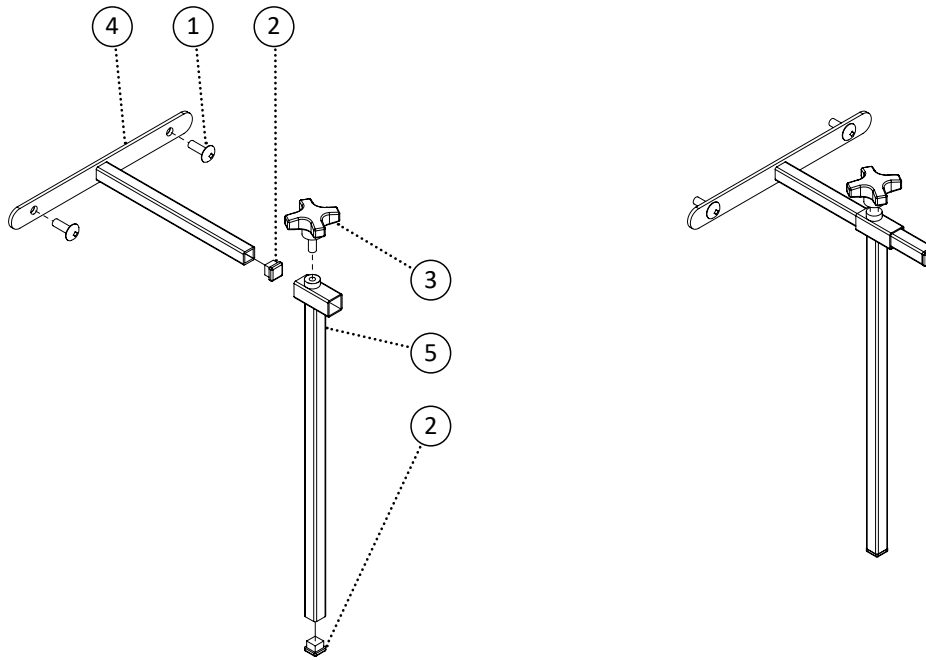


Item	REF Number	Description	Quantity	MSRP	Notes
1	549373	Screw, Socket Head 10-24 x 1	3		
2	549367	Screw, Set Screw 10-24 x 3/16	1		
3	548412	Bracket, 1/2 Locking Collar	1		
4	548479	Cap, 1/2 Square Cap	2		
5	548840	Knob, 2 Prong 1/4-20 x 1-1/8	1		
6	548843	Knob, Clamp Handle 1/4-20 x 3/4	1		
7	549387	Spacer, Custom Headrest Block Spacer	1		
8	549440	Washer, Swivel Pad Mount	1		
9	549439	Washer, Swivel Ball Mount	1		
10	548410	Block, Headrest Block v1	1		
11	549104	PPM, Horizontal Swivel Neck	1		
11	549105	PPM, Horizontal Swivel Neck Long	1		
12	549307	PPM, Vertical S-Bend Neck	1		
<b>1-12</b>	<b>549308</b>	<b>Kit, Multi-Axis Neck S-Bend Complete Kit</b>	<b>1</b>		

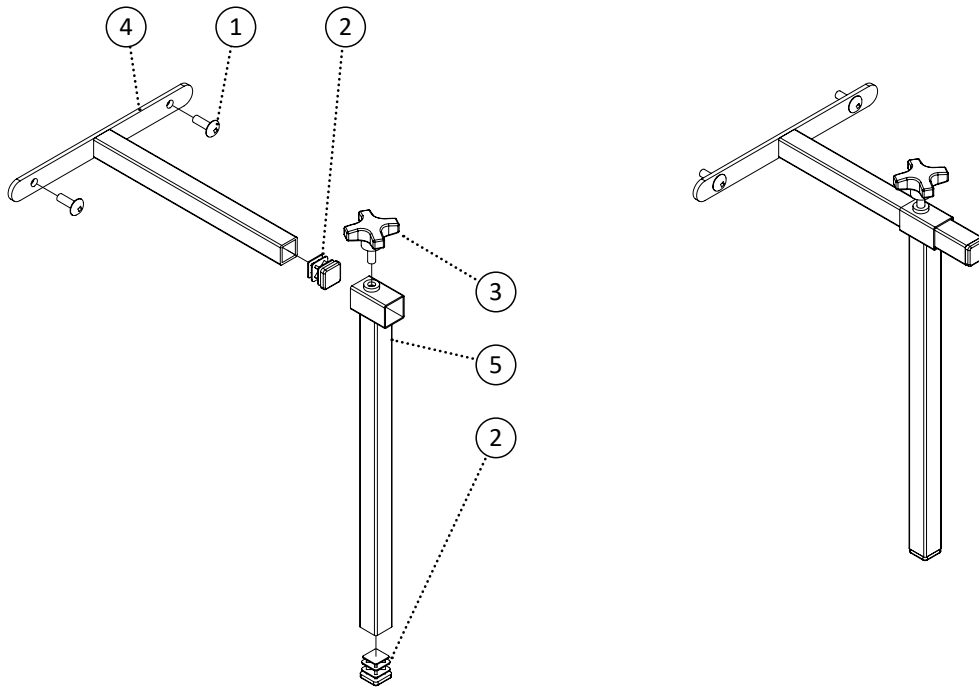




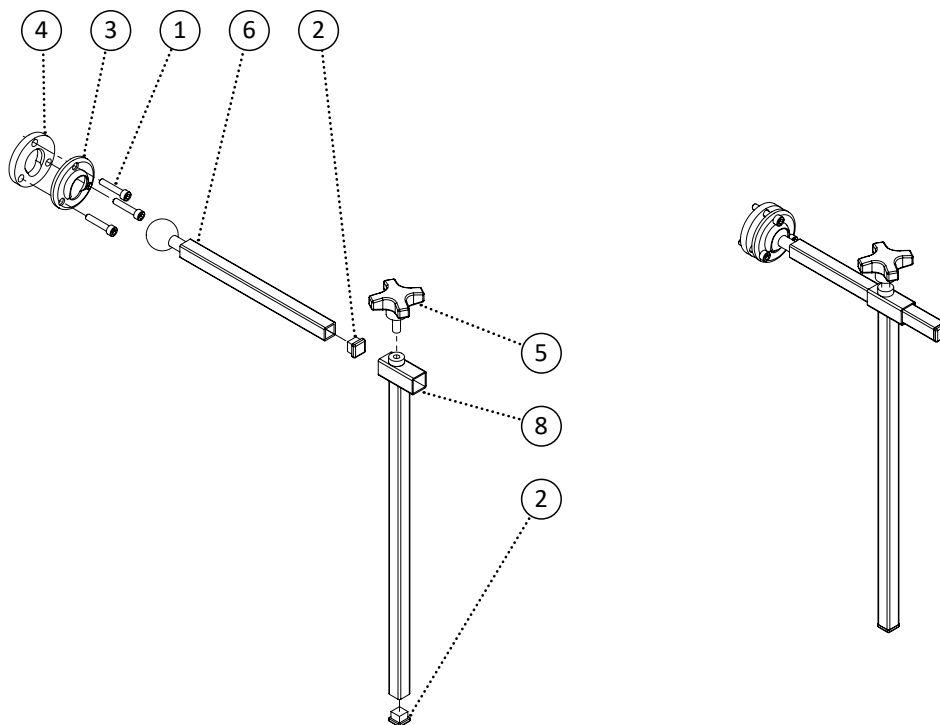
Item	REF Number	Description	Quantity	MSRP	Notes
1	549373	Screw, Socket Head 10-24 x 1	3		
2	549367	Screw, Set Screw 10-24 x 3/16	1		
3	548412	Bracket, 1/2 Locking Collar	1		
4	548479	Cap, 1/2 Square Cap	2		
5	548840	Knob, 2 Prong 1/4-20 x 1-1/8	1		
6	548843	Knob, Clamp Handle 1/4-20 x 3/4	1		
7	549387	Spacer, Custom Headrest Block Spacer	1		
8	549440	Washer, Swivel Pad Mount	1		
9	549439	Washer, Swivel Ball Mount	1		
10	548410	Block, Headrest Block v1	1		
11	549104	PPM, Horizontal Swivel Neck	1		
12	549105	PPM, Horizontal Swivel Neck Long	1		
13	549286	PPM, Vertical L-Bend Neck	1		
<b>1-11,13</b>	<b>548754</b>	<b>Kit, Multi-Axis Neck L-Bend Complete Kit</b>	<b>1</b>		



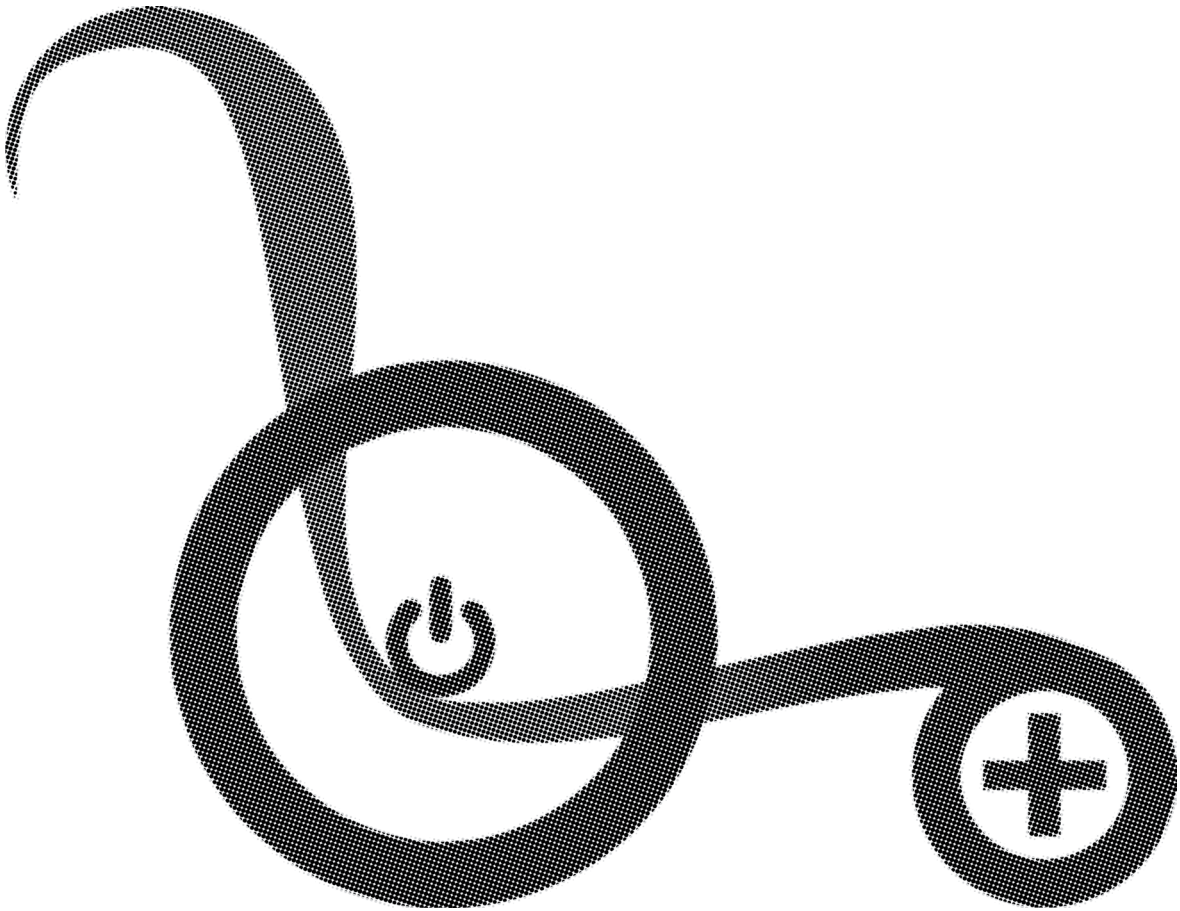
Item	REF Number	Description	Quantity	MSRP	Notes
1	549382	Screw, Truss Head 1/4-20 x 3/4	2		
2	548479	Cap, 1/2 Square Cap	2		
3	548841	Knob, 4 Prong 1/4-20 x 3/16	1		
4	548895	PPM, 1/2 Horizontal Fixed Neck	1		
5	548896	PPM, 1/2 Vertical Fixed Neck	1		
<b>1-5</b>	<b>548831</b>	<b>Kit, Vertical Horizontal 1/2 Complete Kit</b>	<b>1</b>		

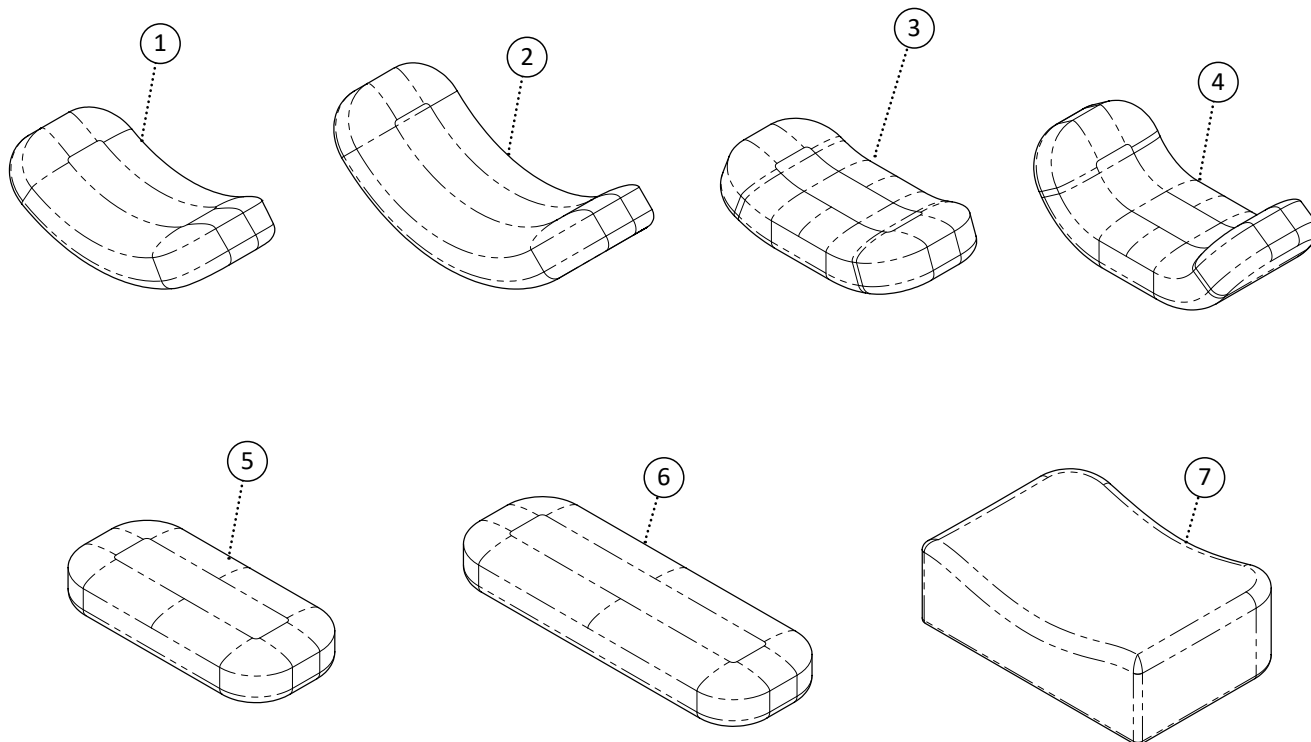


Item	REF Number	Description	Quantity	MSRP	Notes
1	549382	Screw, Truss Head 1/4-20 x 3/4	2		
2	548482	Cap, 3/4 Square Cap	2		
3	548841	Knob, 4 Prong 1/4-20 x 3/16	1		
4	548897	PPM, 3/4 Horizontal Fixed Neck	1		
5	548898	PPM, 3/4 Vertical Fixed Neck	1		
<b>1-5</b>	<b>548832</b>	<b>Kit, Vertical Horizontal 3/4 Complete Kit</b>	<b>1</b>		

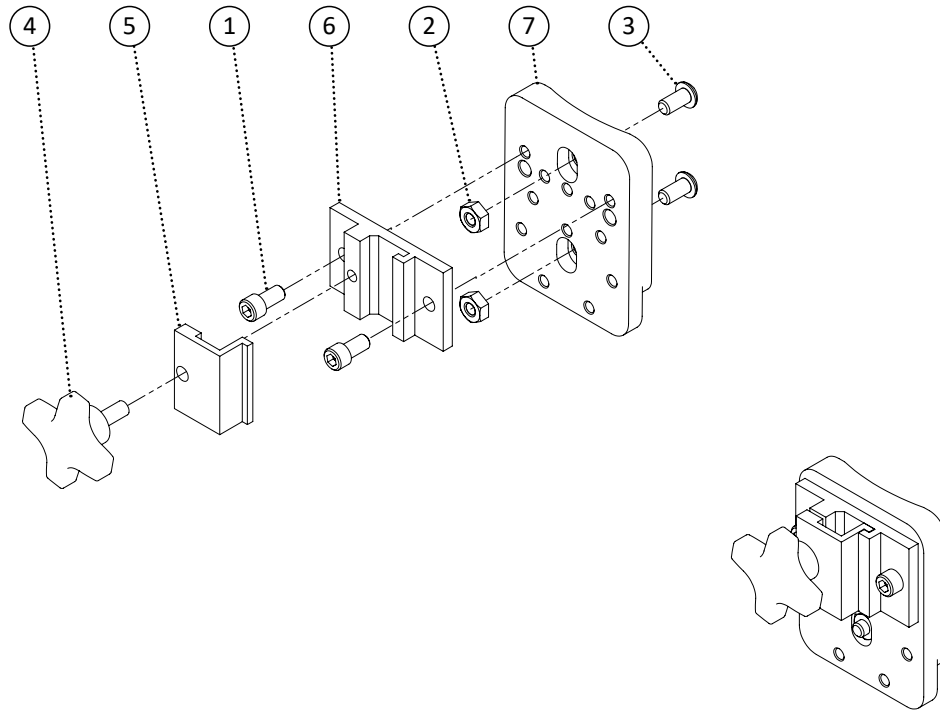


Item	REF Number	Description	Quantity	MSRP	Notes
1	549373	Screw, Socket Head 10-24 x 1	3		
2	548479	Cap, 1/2 Square Cap	2		
3	549440	Washer, Swivel Pad Mount	1		
4	549439	Washer, Swivel Ball Mount	1		
5	548841	Knob, 4 Prong 1/4-20 x 3/16	1		
6	549104	PPM, Horizontal Swivel Neck	1		
7	549105	PPM, Horizontal Swivel Neck Long	1		
8	548896	PPM, 1/2 Vertical Fixed Neck	1		
1-6,8	550120	Kit, Vertical Horizontal Multi-Axis 1/2 Complete Kit	1		

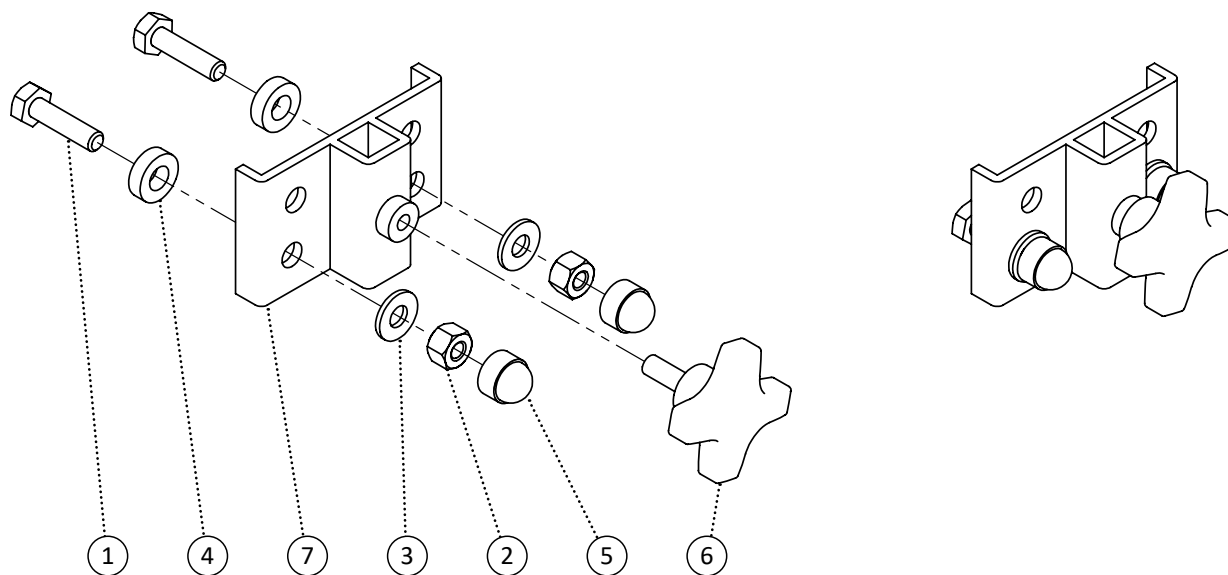




Item	REF Number	Description	Quantity	MSRP	Notes
1	548556	Headrest Pad, Contoured Pad Medium	1		
2	548555	Headrest Pad, Contoured Pad Large	1		
3	548557	Headrest Pad, Flat Pad Small	1		
4	548560	Headrest Pad, Polyurethane Pad Large	1		
5	548559	Headrest Pad, Flex Pad Small	1		
6	548558	Headrest Pad, Flex Pad Large	1		
7	548563	Headrest Pad, Square Pad Large	1		

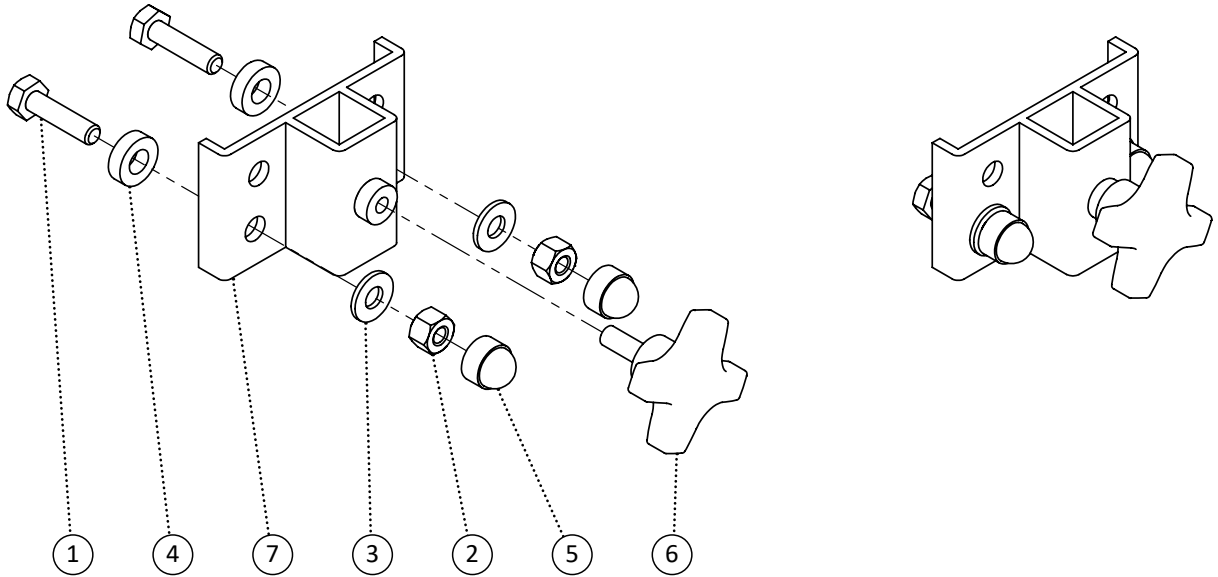


Item	REF Number	Description	Quantity	MSRP	Notes
1	549369	Screw, Socket Head 1/4-20 x 1/2	2		
2	548859	Nut, Nylon Lock Nut 1/4-20	2		
3	549348	Screw, Pan Head 1/4-20 x 1/2	2		
4	548844	Knob, Knob Screw 1/4-20	1		
5	548442	Bracket, Universal Headrest Mount Clamp 1	1		
6	548443	Bracket, Universal Headrest Mount Clamp 2	1		
7	548444	Bracket, Universal Headrest Mount Clamp 3	1		
<b>1-7</b>	<b>548830</b>	<b>Kit, Universal Headrest Mount Complete Kit</b>	<b>1</b>		

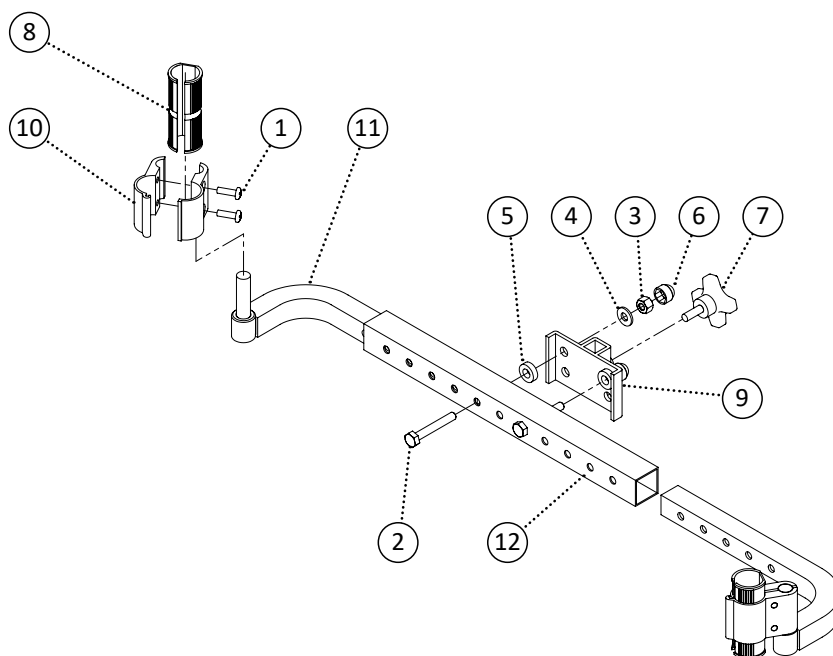


Item	REF Number	Description	Quantity	MSRP	Notes
1	549326	Screw, Hex Bolt 1/4-20 x 1	2		
2	548859	Nut, Nylon Lock Nut 1/4-20	2		
3	549423	Washer, Flat Washer 1/4 ID. x 5/8 OD.	2		
4	549390	Spacer, Nylon Spacer 5/16 ID. x .6 OD. x .18thk (blk)	2		
5	548480	Cap, 1/4 Nut Cap	2		
6	548844	Knob, Knob Screw 1/4-20	2		
7	548435	Bracket, Headrest Mount 1/2	1		
<b>1-7</b>	<b>548740</b>	<b>Kit, Headrest Mount 1/2 Complete Kit</b>	<b>1</b>		

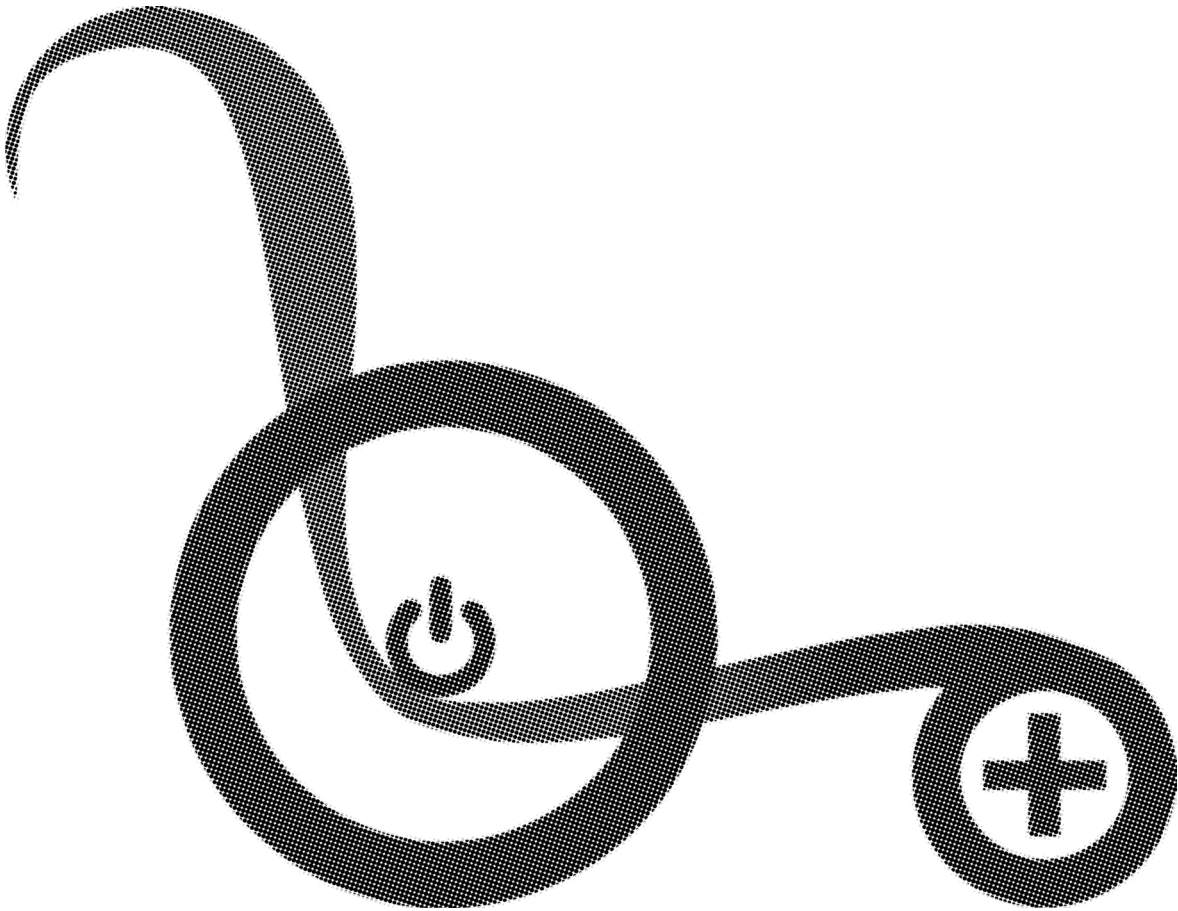


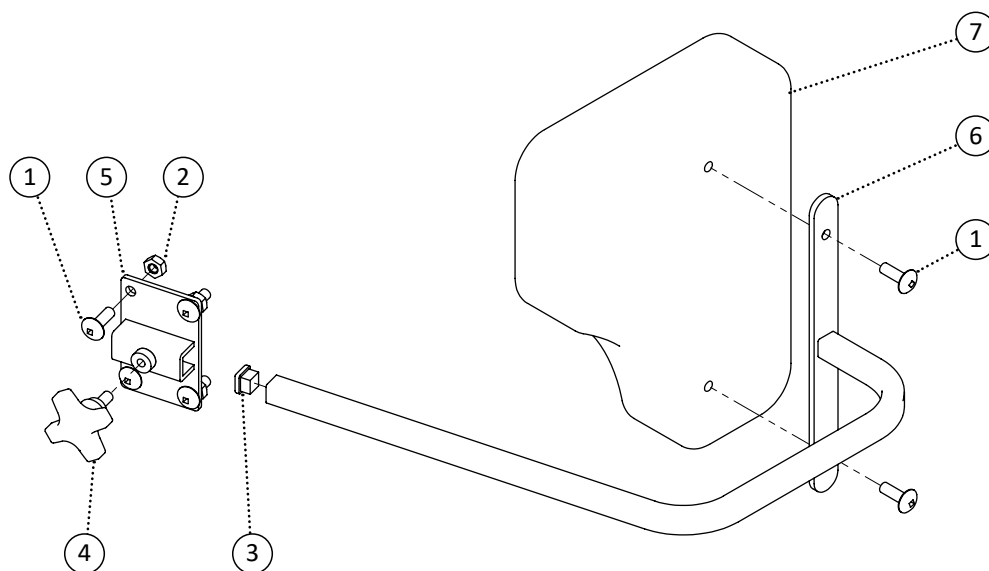


Item	REF Number	Description	Quantity	MSRP	Notes
1	549326	Screw, Hex Bolt 1/4-20 x 1	2		
2	548859	Nut, Nylon Lock Nut 1/4-20	2		
3	549423	Washer, Flat Washer 1/4 ID. x 5/8 OD.	2		
4	549390	Spacer, Nylon Spacer 5/16 ID. x .6 OD. x .18thk (blk)	2		
5	548480	Cap, 1/4 Nut Cap	2		
6	548844	Knob, Knob Screw 1/4-20	2		
7	549309	Bracket, Headrest Mount 3/4	1		
<b>1-7</b>	<b>549310</b>	<b>Kit, Headrest Mount 3/4 Complete Kit</b>	<b>1</b>		

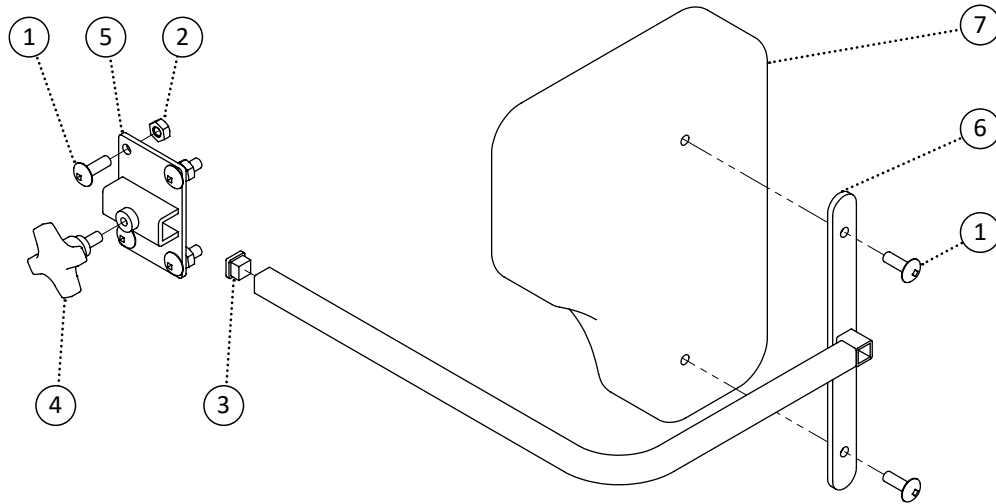


Item	REF Number	Description	Quantity	MSRP	Notes
1	550077	Screw, Round Head 10-32 x 5/8	4		
2	549330	Screw, Hex Bolt 1/4-20 x 1-3/4	2		
3	548859	Nut, Nylon Lock Nut 1/4-20	2		
4	549423	Washer, Flat Washer 1/4 ID. x 5/8 OD.	2		
5	549390	Spacer, Nylon Spacer 5/16 ID. x .6 OD. x .18thk (blk)	2		
6	548480	Cap, 1/4 Nut Cap	2		
7	548844	Knob, Knob Screw 1/4-20	1		
8	550078	Clamp, Expanding Sleeve 7/8 to 1	2		
9	548435	Bracket, Headrest Mount 1/2	1		
10	550079	Clamp, Aluminum Clamp 1 and 7/16	2		
11	550080	PPM, Straight Headrest Mounting Bracket Extension v1	1		
12	550081	PPM, Straight Headrest Mounting Bracket Receiver v1	1		
<b>1-12</b>	<b>550082</b>	<b>Kit, Straight Headrest Mounting Bracket Complete Kit</b>	<b>1</b>		

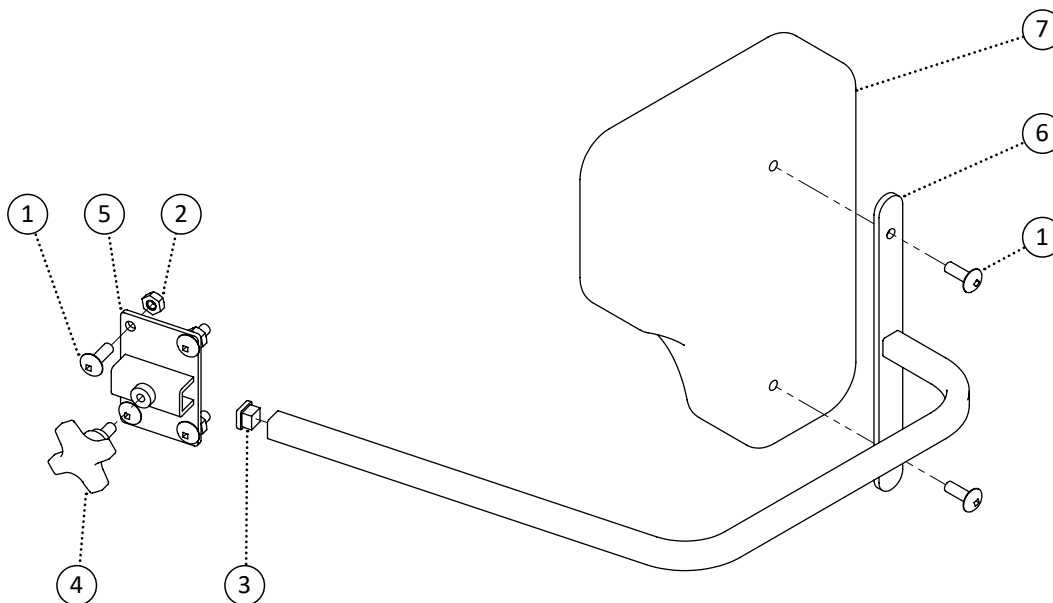




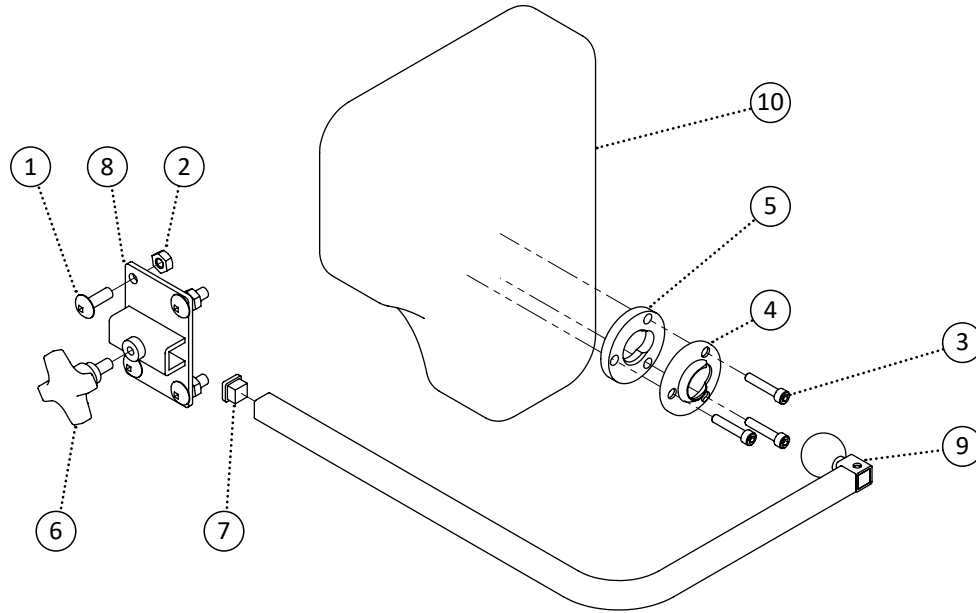
Item	REF Number	Description	Quantity	MSRP	Notes
1	549382	Screw, Truss Head 1/4-20 x 3/4	6		
2	548870	Nut, Nylon Lock Nut Thin 1/4-20	4		
3	548479	Cap, 1/2 Square Cap	1		
4	548841	Knob, 4 Prong 1/4-20 x 3/16	1		
5	549709	Bracket, Flat Headrest Mount 1/2	1		
6	549724	PPM, Lateral Bracket Fixed Standard	1		
7	549702	PPM, Lateral Padding Bite Out	1		
8	549703	PPM, Lateral Padding no Bite Out	1		
1-5,6	549704	Kit, Lateral Padding Bite Out Left Fixed Standard Complete	1		
1-5,6	549705	Kit, Lateral Padding Bite Out Right Fixed Standard Complete	1		
1-5,7	549706	Kit, Lateral Padding no Bite Out Left Fixed Standard Complete	1		
1-5,7	549707	Kit, Lateral Padding no Bite Out Right Fixed Standard Complete	1		
1,2,4,5	549708	Kit, Bracket Flat Headrest Mount 1/2	1		



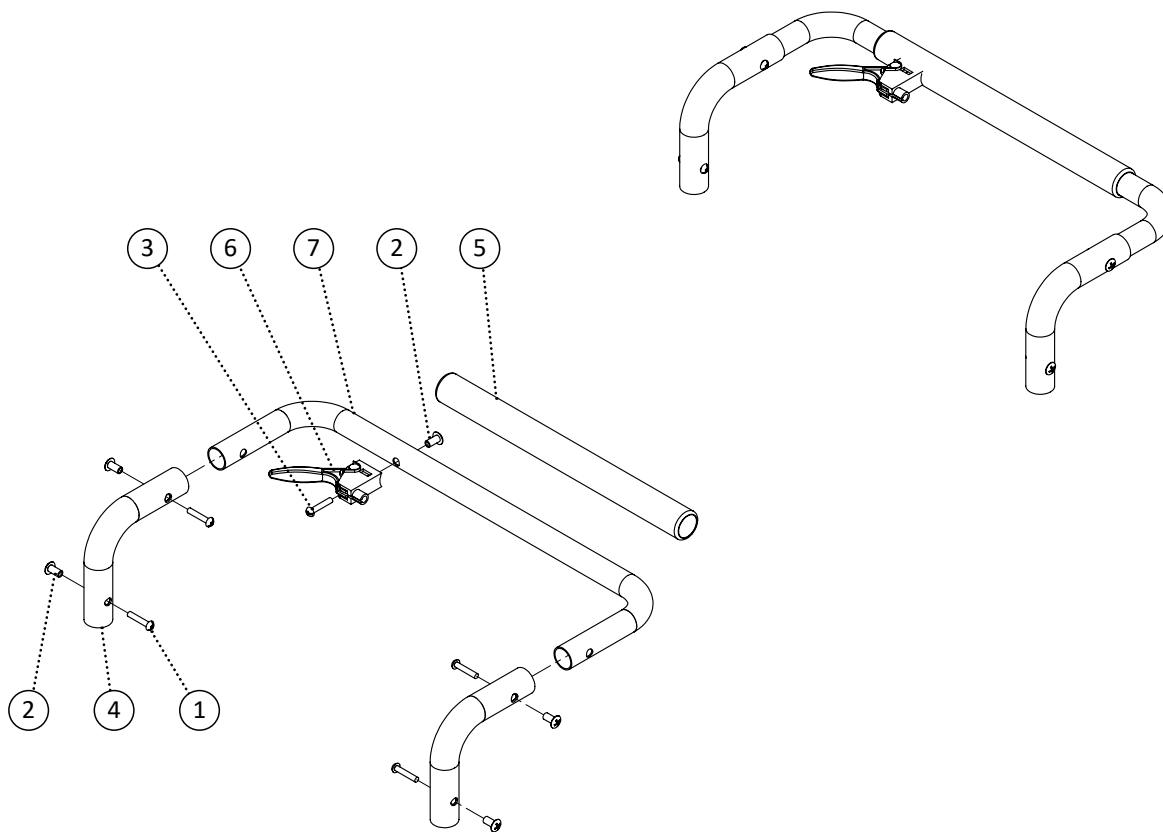
Item	REF Number	Description	Quantity	MSRP	Notes
1	549382	Screw, Truss Head 1/4-20 x 3/4	6		
2	548870	Nut, Nylon Lock Nut Thin 1/4-20	4		
3	548479	Cap, 1/2 Square Cap	1		
4	548841	Knob, 4 Prong 1/4-20 x 3/16	1		
5	549709	Bracket, Flat Headrest Mount 1/2	1		
6	549710	PPM, Lateral Bracket Fixed Short	1		
7	549702	PPM, Lateral Padding Bite Out	1		
8	549703	PPM, Lateral Padding no Bite Out	1		
1-5,6	549711	Kit, Lateral Padding Bite Out Left Fixed Short Complete	1		
1-5,6	549712	Kit, Lateral Padding Bite Out Right Fixed Short Complete	1		
1-5,7	549713	Kit, Lateral Padding no Bite Out Left Fixed Short Complete	1		
1-5,7	549714	Kit, Lateral Padding no Bite Out Right Fixed Short Complete	1		
1,2,4,5	549708	Kit, Bracket Flat Headrest Mount 1/2	1		



Item	REF Number	Description	Quantity	MSRP	Notes
1	549382	Screw, Truss Head 1/4-20 x 3/4	6		
2	548870	Nut, Nylon Lock Nut Thin 1/4-20	4		
3	548479	Cap, 1/2 Square Cap	1		
4	548841	Knob, 4 Prong 1/4-20 x 3/16	1		
5	549709	Bracket, Flat Headrest Mount 1/2	1		
6	549701	PPM, Lateral Bracket Fixed Long	1		
7	549702	PPM, Lateral Padding Bite Out	1		
8	549703	PPM, Lateral Padding no Bite Out	1		
1-5,6	549715	Kit, Lateral Padding Bite Out Left Fixed Long Complete	1		
1-5,6	549716	Kit, Lateral Padding Bite Out Right Fixed Long Complete	1		
1-5,7	549717	Kit, Lateral Padding no Bite Out Left Fixed Long Complete	1		
1-5,7	549718	Kit, Lateral Padding no Bite Out Right Fixed Long Complete	1		
1,2,4,5	549708	Kit, Bracket Flat Headrest Mount 1/2	1		

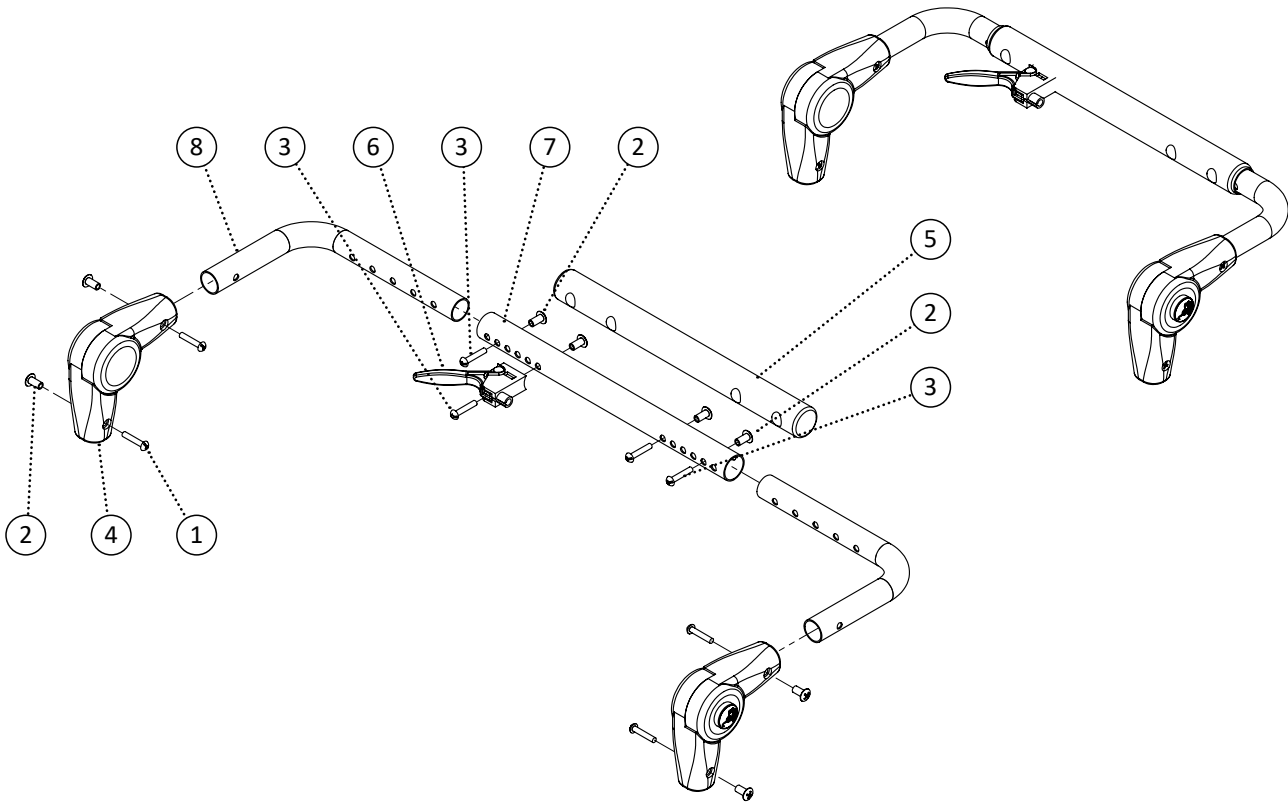


Item	REF Number	Description	Quantity	MSRP	Notes
1	549382	Screw, Truss Head 1/4-20 x 3/4	4		
2	548870	Nut, Nylon Lock Nut Thin 1/4-20	4		
3	549373	Screw, Socket Head 10-24 x 1	3		
4	549440	Washer, Swivel Pad Mount	1		
5	549439	Washer, Swivel Ball Mount	1		
6	548841	Knob, 4 Prong 1/4-20 x 3/16	1		
7	548479	Cap, 1/2 Square Cap	1		
8	549709	Bracket, Flat Headrest Mount 1/2	1		
9	549719	PPM, Lateral Bracket Multi-Axis 90 Degrees	1		
10	549702	PPM, Lateral Padding Bite Out	1		
11	549703	PPM, Lateral Padding no Bite Out	1		
1-9,10	549720	Kit, Lateral Padding Bite Out Left Multi-Axis 90 Complete	1		
1-9,10	549721	Kit, Lateral Padding Bite Out Right Multi-Axis 90 Complete	1		
1-9,11	549722	Kit, Lateral Padding no Bite Out Left Multi-Axis 90 Complete	1		
1-9,11	549723	Kit, Lateral Padding no Bite Out Right Multi-Axis 90 Complete	1		
1,2,6,8	549708	Kit, Bracket Flat Headrest Mount 1/2	1		
1,3,8	549815	Kit, Foot Pocket Hard 16 Right Complete	1		
1,4,9	549816	Kit, Foot Pocket Hard 18 Left Complete	1		
1,5,9	549817	Kit, Foot Pocket Hard 18 Right Complete	1		

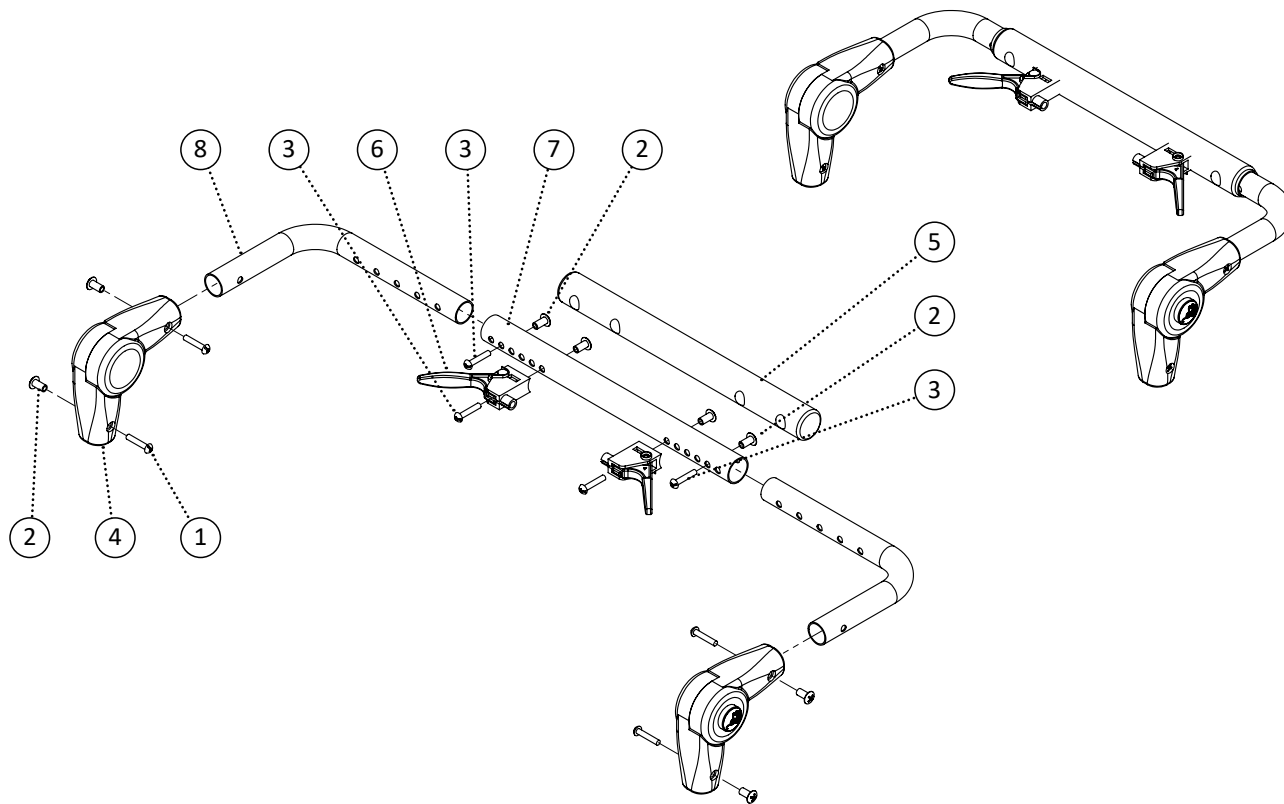


Item	REF Number	Description	Quantity	MSRP	Notes
1	549358	Screw, Round Head 10-24 x 1	4		
2	548877	Nut, Receiver 10-24	5		
3	549361	Screw, Round Head 10-24 x 3/4	1		
4	548565	Joint, Fixed Knuckle Joint	2		
5	548532	Grip, 1 Foam Grip	1		
6	549409	Trigger, Tilt Trigger	1		
7	549143	PPM, Spreader Bar Fixed 16	1		
8	549144	PPM, Spreader Bar Fixed 18	1		
9	549145	PPM, Spreader Bar Fixed 20	1		
10	549146	PPM, Spreader Bar Fixed 22	1		
11	549147	PPM, Spreader Bar Fixed 24	1		
1-6,7	548795	Kit, Spreader Bar - Fixed Joint, Fixed Bar 16 Complete Kit	1		
1-6,8	548796	Kit, Spreader Bar - Fixed Joint, Fixed Bar 18 Complete Kit	1		
1-6,9	548797	Kit, Spreader Bar - Fixed Joint, Fixed Bar 20 Complete Kit	1		
1-6,10	548798	Kit, Spreader Bar - Fixed Joint, Fixed Bar 22 Complete Kit	1		
1-6,11	548799	Kit, Spreader Bar - Fixed Joint, Fixed Bar 24 Complete Kit	1		

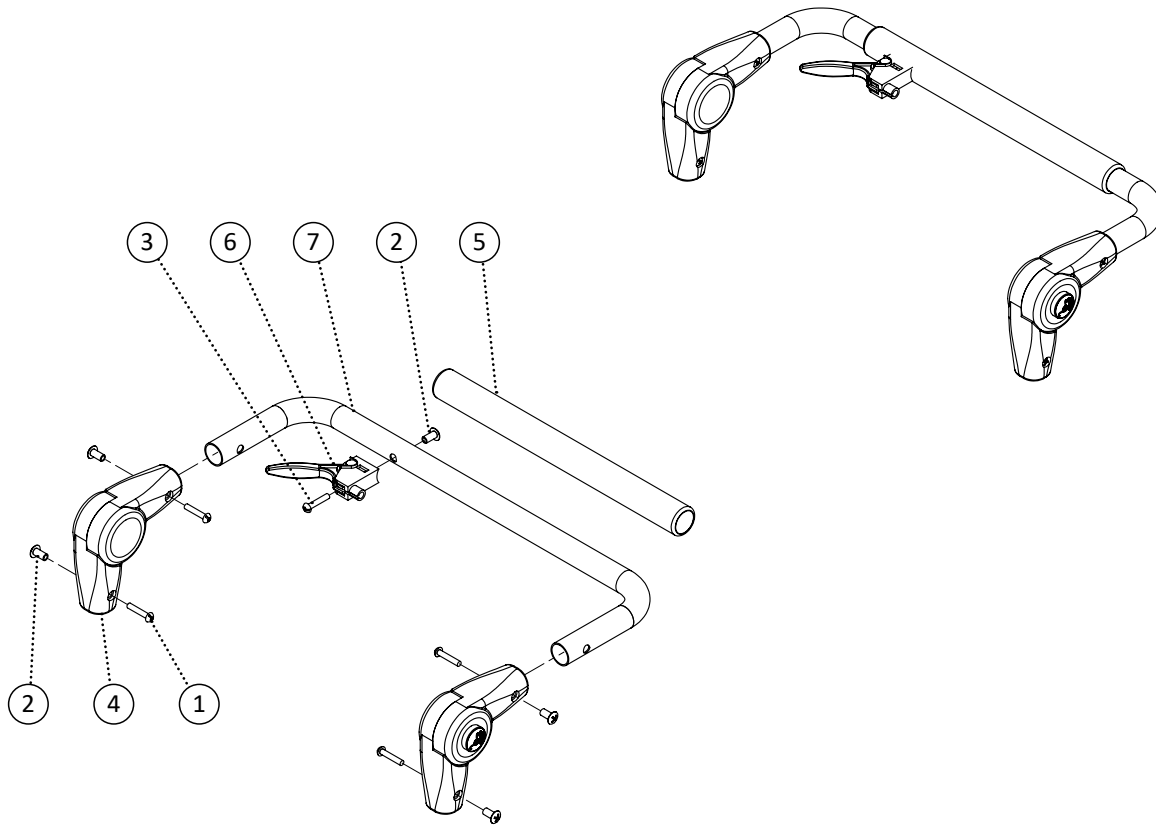




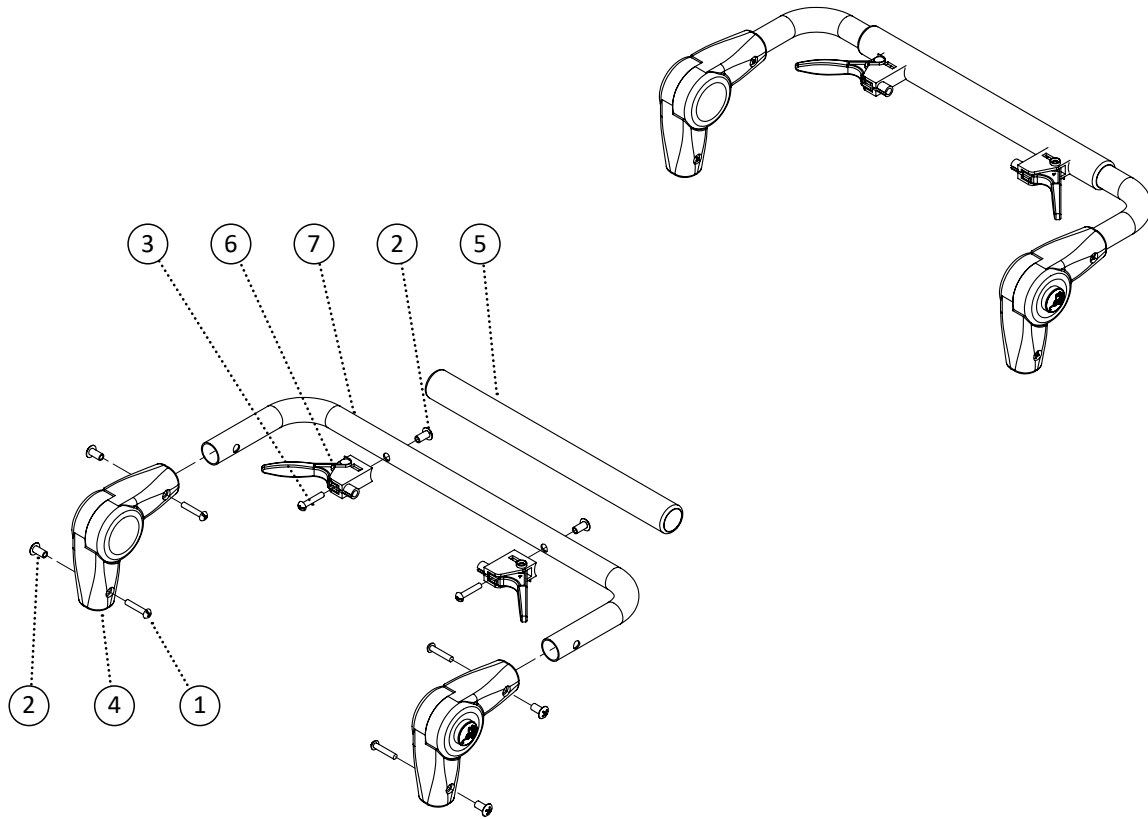
Item	REF Number	Description	Quantity	MSRP	Notes
1	549358	Screw, Round Head 10-24 x 1	4		
2	548877	Nut, Receiver 10-24	8		
3	549361	Screw, Round Head 10-24 x 3/4	4		
4	548564	Joint, Adjustable Knuckle Joint	2		
5	548532	Grip, 1 Foam Grip	1		
6	549409	Trigger, Tilt Trigger	1		
7	549142	PPM, Spreader Bar Center Extension	1		
8	549148	PPM, Spreader Bar L Bracket Receiver	2		
<b>1-8</b>	<b>548787</b>	<b>Kit, Spreader Bar - Adjustable Complete Kit</b>	<b>1</b>		



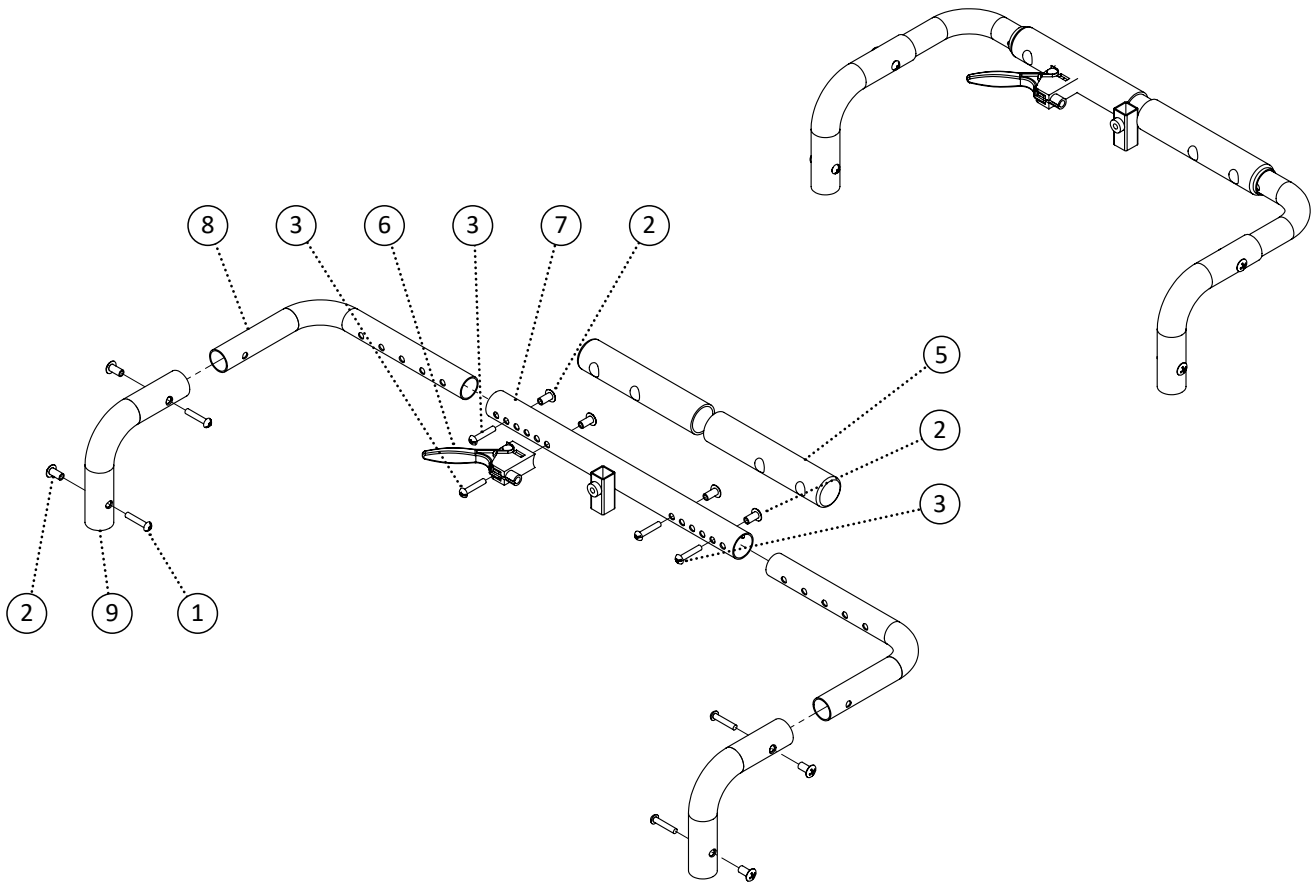
Item	REF Number	Description	Quantity	MSRP	Notes
1	549358	Screw, Round Head 10-24 x 1	4		
2	548877	Nut, Receiver 10-24	8		
3	549361	Screw, Round Head 10-24 x 3/4	4		
4	548564	Joint, Adjustable Knuckle Joint	2		
5	548532	Grip, 1 Foam Grip	1		
6	549409	Trigger, Tilt Trigger	2		
7	549142	PPM, Spreader Bar Center Extension	1		
8	549148	PPM, Spreader Bar L Bracket Receiver	2		
<b>1-8</b>	<b>548789</b>	<b>Kit, Spreader Bar - Adjustable, Recline Complete Kit</b>	<b>1</b>		



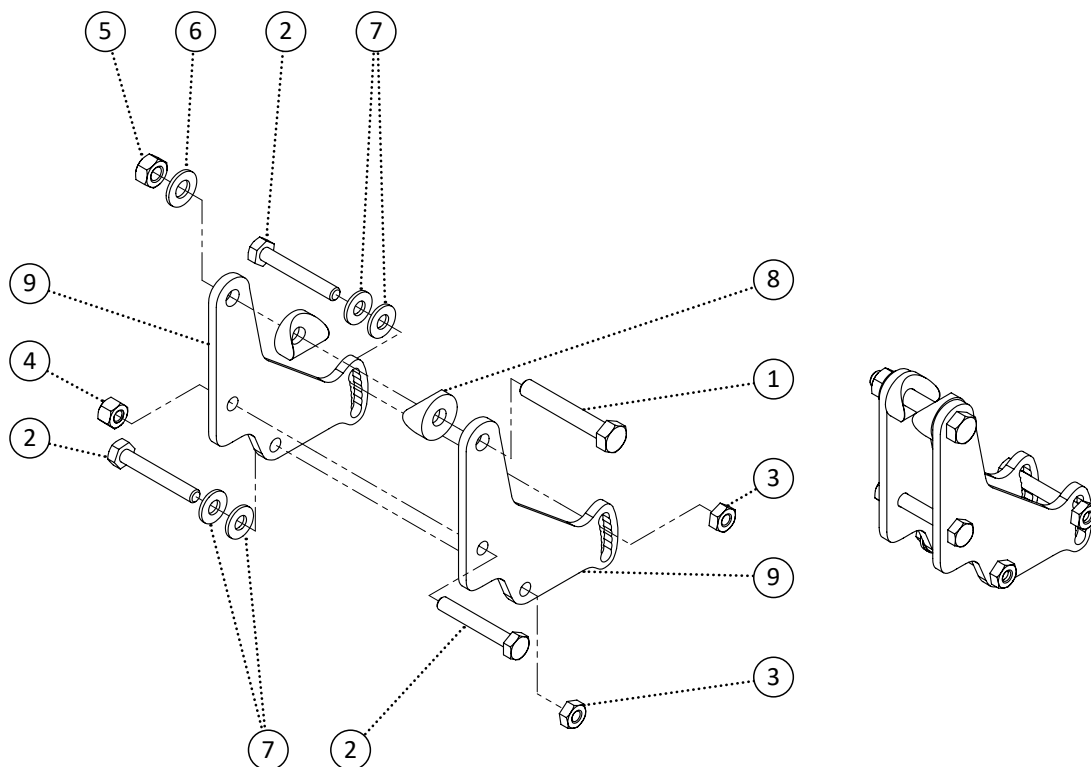
Item	REF Number	Description	Quantity	MSRP	Notes
1	549358	Screw, Round Head 10-24 x 1	4		
2	548877	Nut, Receiver 10-24	5		
3	549361	Screw, Round Head 10-24 x 3/4	1		
4	548564	Joint, Adjustable Knuckle Joint	2		
5	548532	Grip, 1 Foam Grip	1		
6	549409	Trigger, Tilt Trigger	1		
7	549143	PPM, Spreader Bar Fixed 16	1		
8	549144	PPM, Spreader Bar Fixed 18	1		
9	549145	PPM, Spreader Bar Fixed 20	1		
10	549146	PPM, Spreader Bar Fixed 22	1		
11	549147	PPM, Spreader Bar Fixed 24	1		
1-6,7	548790	Kit, Spreader Bar - Fixed Bar 16 Complete Kit	1		
1-6,8	548791	Kit, Spreader Bar - Fixed Bar 18 Complete Kit	1		
1-6,9	548792	Kit, Spreader Bar - Fixed Bar 20 Complete Kit	1		
1-6,10	548793	Kit, Spreader Bar - Fixed Bar 22 Complete Kit	1		
1-6,11	548794	Kit, Spreader Bar - Fixed Bar 24 Complete Kit	1		



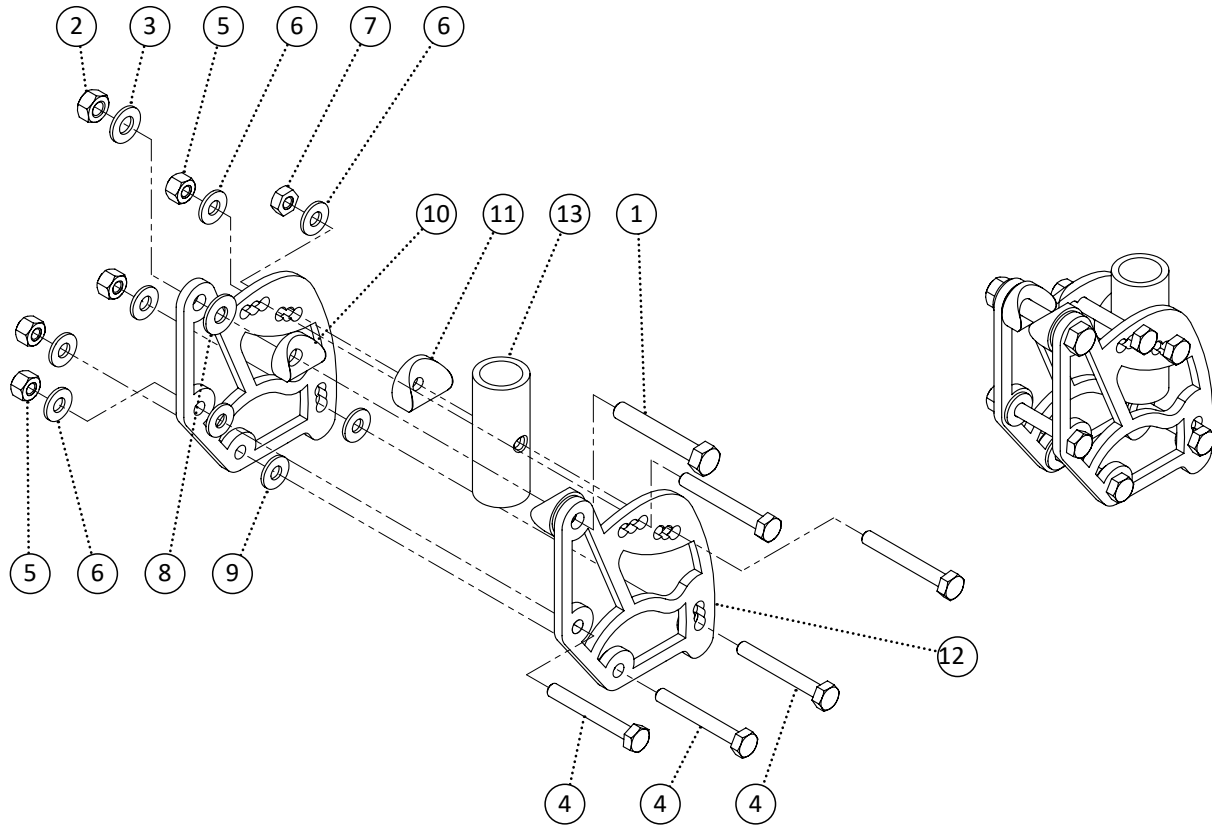
Item	REF Number	Description	Quantity	MSRP	Notes
1	549358	Screw, Round Head 10-24 x 1	4		
2	548877	Nut, Receiver 10-24	6		
3	549361	Screw, Round Head 10-24 x 3/4	2		
4	548565	Joint, Fixed Knuckle Joint	2		
5	548532	Grip, 1 Foam Grip	1		
6	549409	Trigger, Tilt Trigger	2		
7	549143	PPM, Spreader Bar Fixed 16	1		
8	549144	PPM, Spreader Bar Fixed 18	1		
9	549145	PPM, Spreader Bar Fixed 20	1		
10	549146	PPM, Spreader Bar Fixed 22	1		
11	549147	PPM, Spreader Bar Fixed 24	1		
1-6,7	548800	Kit, Spreader Bar - Fixed Joint, Recline 16 Complete Kit	1		
1-6,8	548801	Kit, Spreader Bar - Fixed Joint, Recline 18 Complete Kit	1		
1-6,9	548802	Kit, Spreader Bar - Fixed Joint, Recline 20 Complete Kit	1		
1-6,10	548803	Kit, Spreader Bar - Fixed Joint, Recline 22 Complete Kit	1		
1-6,11	548804	Kit, Spreader Bar - Fixed Joint, Recline 24 Complete Kit	1		



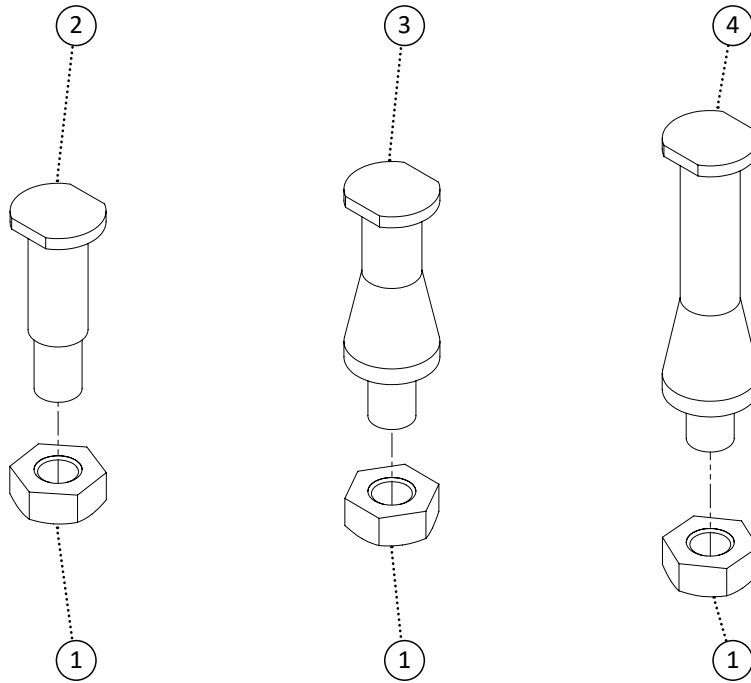
Item	REF Number	Description	Quantity	MSRP	Notes
1	549358	Screw, Round Head 10-24 x 1	4		
2	548877	Nut, Receiver 10-24	8		
3	549361	Screw, Round Head 10-24 x 3/4	4		
4	548565	Joint, Fixed Knuckle Joint	2		
5	548532	Grip, 1 Foam Grip	1		
6	549409	Trigger, Tilt Trigger	1		
7	549142	PPM, Spreader Bar Center Extension	1		
8	549148	PPM, Spreader Bar L Bracket Receiver	2		
9	548565	Joint, Fixed Knuckle Joint	2		
<b>1-9</b>	<b>548788</b>	<b>Kit, Spreader Bar - Adjustable, Headrest Mount Complete Kit</b>	<b>1</b>		



Item	REF Number	Description	Quantity	MSRP	Notes
1	549340	Screw, Hex Bolt 5/16-18 x 2 x 7/8	1		
2	549330	Screw, Hex Bolt 1/4-20 x 1-3/4	3		
3	548870	Nut, Nylon Lock Nut Thin 1/4-20	2		
4	548859	Nut, Nylon Lock Nut 1/4-20	1		
5	548862	Nut, Nylon Lock Nut 5/16-18	1		
6	549425	Washer, Flat Washer 5/16 ID. x 5/8 OD.	1		
7	549423	Washer, Flat Washer 1/4 ID. x 5/8 OD.	4		
8	549438	Washer, Radius Washer 7/8 (5/16 ID. x 7/8 OD. x 7/8cu)	2		
9	548413	Bracket, Angle Adjustable Bracket	2		
1-9	548598	Kit, Angle Adjustable Back Left Complete Kit	1		
1-9	548599	Kit, Angle Adjustable Back Right Complete Kit	1		

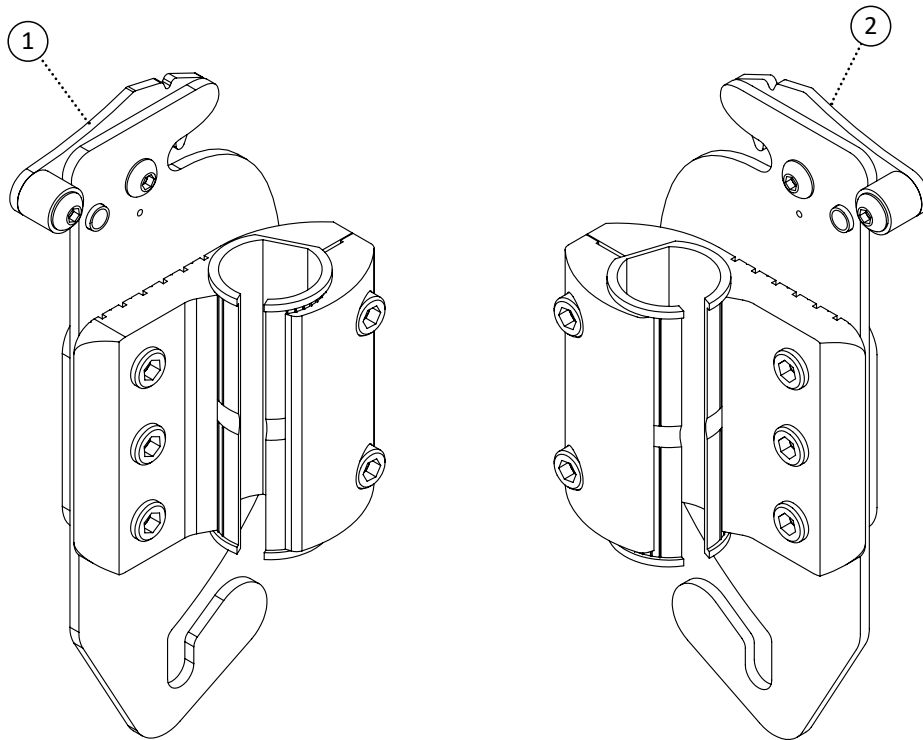


Item	REF Number	Description	Quantity	MSRP	Notes
1	549339	Screw, Hex Bolt 5/16-18 x 2	1		
2	548862	Nut, Nylon Lock Nut 5/16-18	1		
3	549425	Washer, Flat Washer 5/16 ID. x 5/8 OD.	1		
4	549331	Screw, Hex Bolt 1/4-20 x 2	5		
5	548859	Nut, Nylon Lock Nut 1/4-20	4		
6	549423	Washer, Flat Washer 1/4 ID. x 5/8 OD.	5		
7	548870	Nut, Nylon Lock Nut Thin 1/4-20	1		
8	549430	Washer, Nylon Washer 5/16 ID. x 3/4 OD. x .063thk	1		
9	549428	Washer, Nylon Washer .265ID x 5/8 OD x .063th	3		
10	549434	Washer, Radius Washer 1/4 ID. x 3/4 OD. x 3/4cu	2		
11	549433	Washer, Radius Washer 1/4 ID. x 1 OD. x 1cu	2		
12	548415	Bracket, Angle Adjustable Flip Back Bracket	2		
13	548934	PPM, Arm Flip Back Hinge Receiver	1		
<b>1-13</b>	<b>548601</b>	<b>Kit, Angle Adjustable Flip Back (STP/EXT)</b>	<b>1</b>		

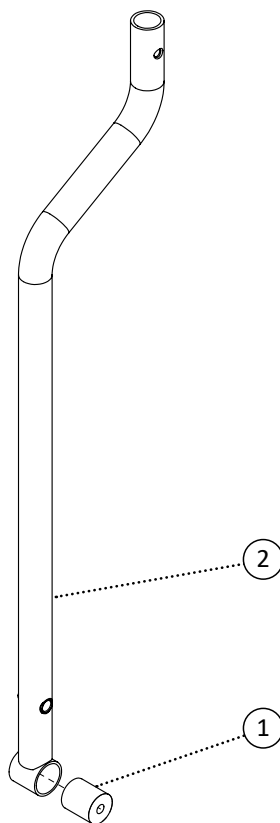


Item	REF Number	Description	Quantity	MSRP	Notes
1	548872	Nut, Nylon Lock Nut Thin 1/4-28	1		
2	549725	Pin, Back Pin Standard	1		
3	549726	Pin, Back Pin 1 Total Width	1		
4	549727	Pin, Back Pin 2 Total Width	1		
1,2	549728	Kit, Back Pin Standard Complete	1		
1,3	549729	Kit, Back Pin 1 Total Width Complete	1		
1,4	549730	Kit, Back Pin 2 Total Width Complete	1		

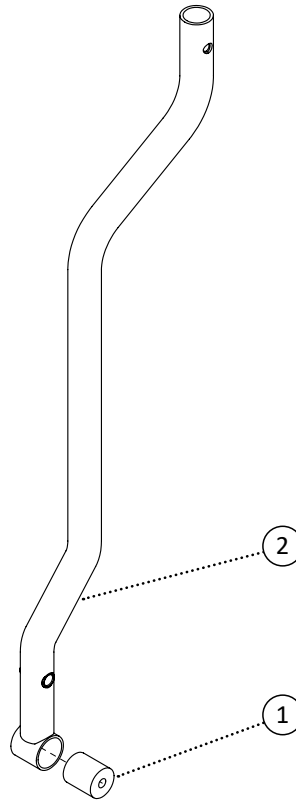




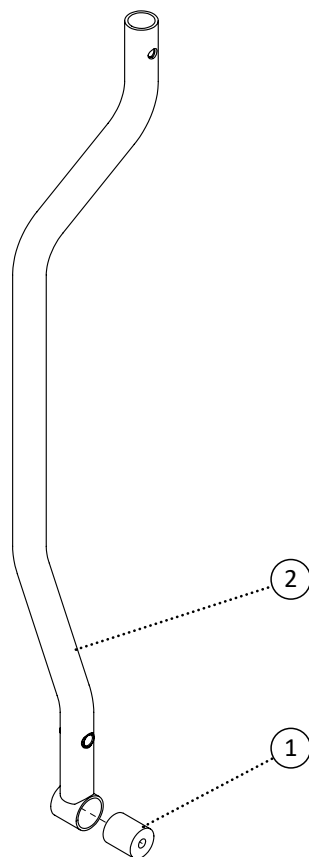
Item	REF Number	Description	Quantity	MSRP	Notes
1	548507	Clamp, Backpost Clamp Right	1		
2	548506	Clamp, Backpost Clamp Left	1		
<b>1-2</b>	<b>548630</b>	<b>Kit, Backpost Clamp Left and Right Complete Kit</b>	<b>1</b>		



Item	REF Number	Description	Quantity	MSRP	Notes
1	548468	Bushing, Nylon Bushing 1/4 ID. x 7/8 OD. x 1thk	1		
2	548959	PPM, Backpost Regular Length	1		
3	548958	PPM, Backpost Long Length	1		
<b>1,2</b>	<b>548650</b>	<b>Kit, Backpost Regular Length Complete</b>	<b>1</b>		
<b>1,3</b>	<b>548649</b>	<b>Kit, Backpost Long Legth Complete</b>	<b>1</b>		

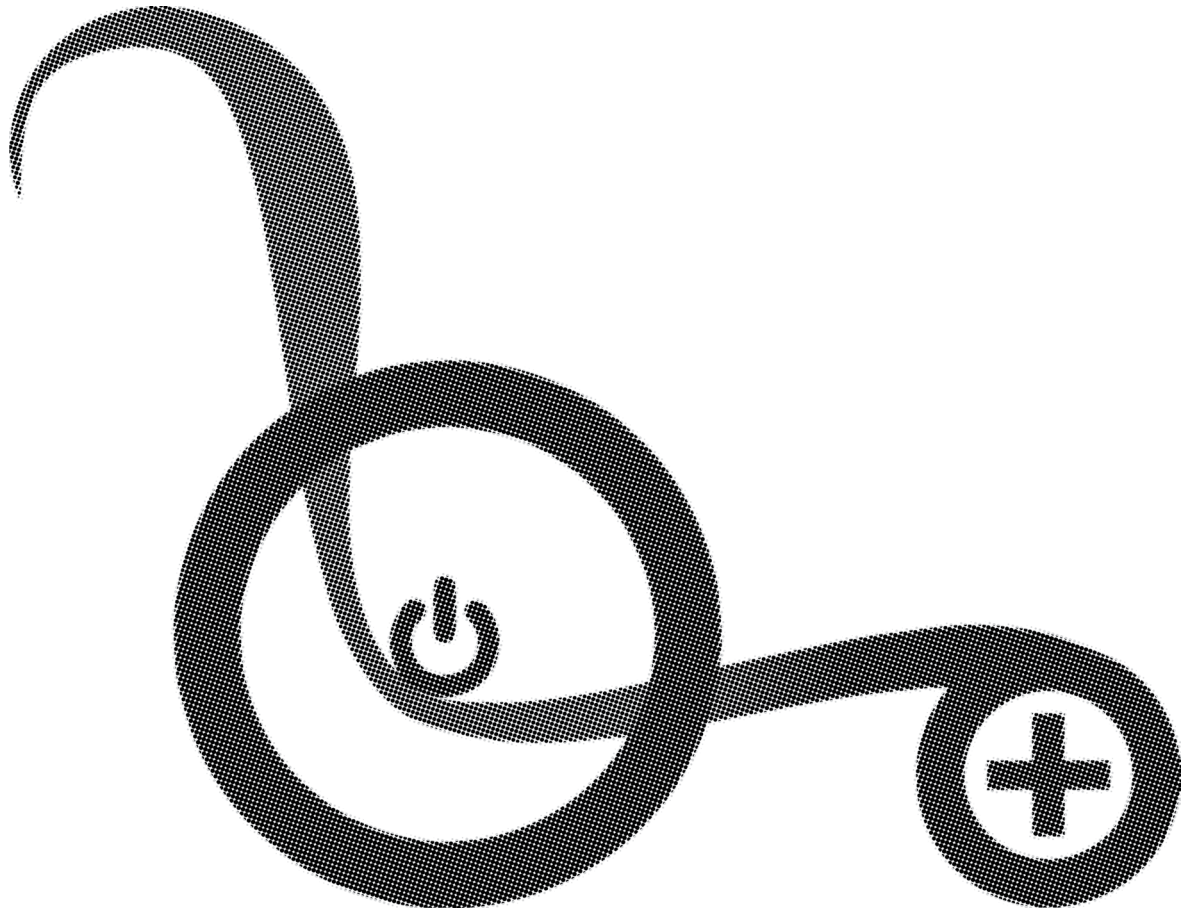


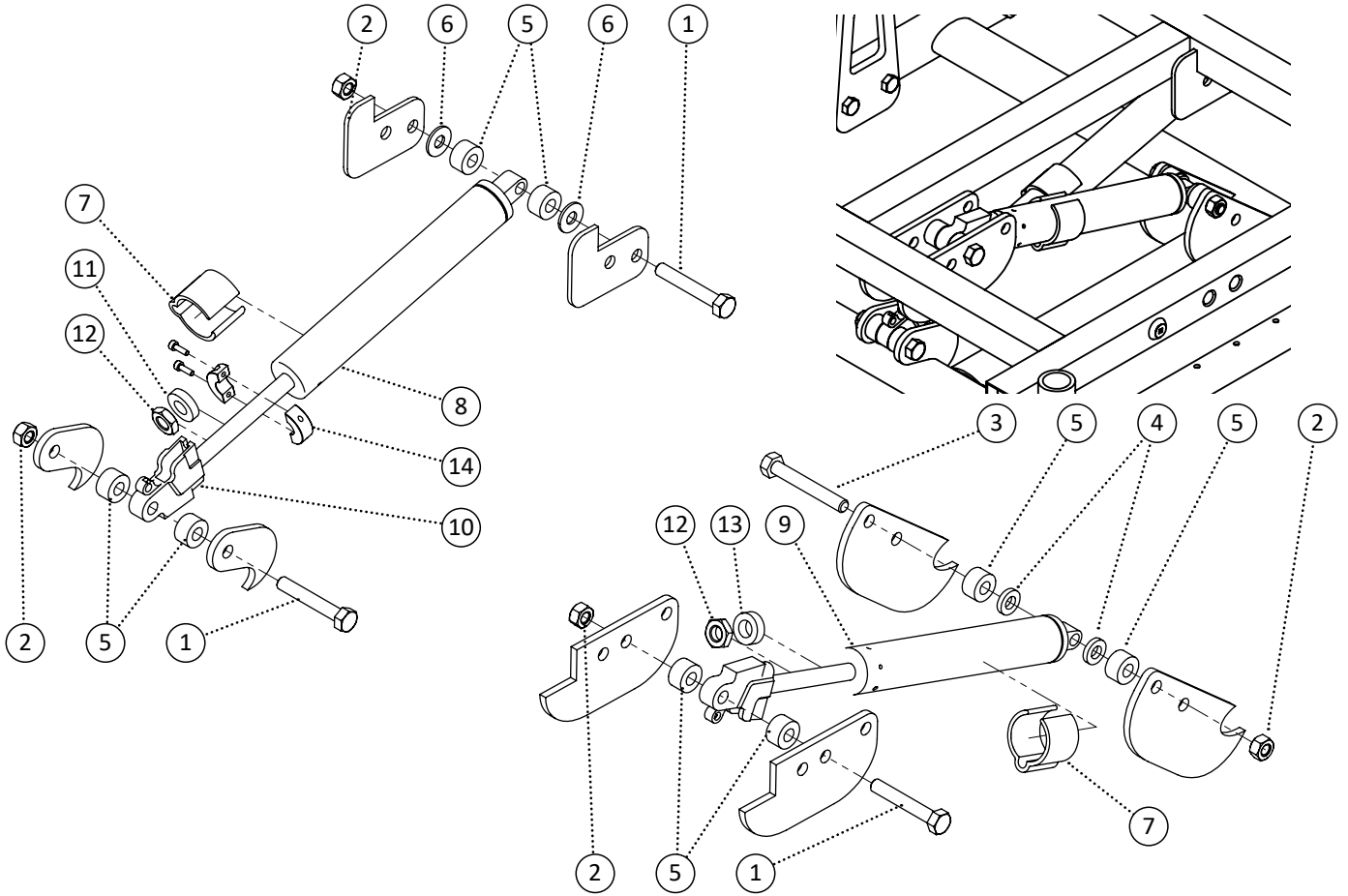
Item	REF Number	Description	Quantity	MSRP	Notes
1	548468	Bushing, Nylon Bushing 1/4 ID. x 7/8 OD. x 1thk	1		
2	548954	PPM, Backpost Endomorph Out 1/2 Offset Left	1		
3	548955	PPM, Backpost Endomorph Out 1/2 Offset Right	1		
4	548952	PPM, Backpost Endomorph Out 1 Offset Left	1		
5	548953	PPM, Backpost Endomorph Out 1 Offset Right	1		
6	548956	PPM, Backpost Endomorph Out 2 Offset Left	1		
7	548957	PPM, Backpost Endomorph Out 2 Offset Right	1		
1,2	548643	Kit, Backpost Endomorph Out 1/2 Offset Left Complete	1		
1,3	548645	Kit, Backpost Endomorph Out 1/2 Offset Right Complete	1		
1,2,3	548644	Kit, Backpost Endomorph Out 1/2 Offset Pair Complete	1		
1,4	548640	Kit, Backpost Endomorph Out 1 Offset Left Complete	1		
1,5	548642	Kit, Backpost Endomorph Out 1 Offset Right Complete	1		
1,4,5	548641	Kit, Backpost Endomorph Out 1 Offset Pair Complete	1		
1,6	548646	Kit, Backpost Endomorph Out 2 Offset Left Complete	1		
1,7	548648	Kit, Backpost Endomorph Out 2 Offset Right Complete	1		
1,6,7	548647	Kit, Backpost Endomorph Out 2 Offset Pair Complete	1		



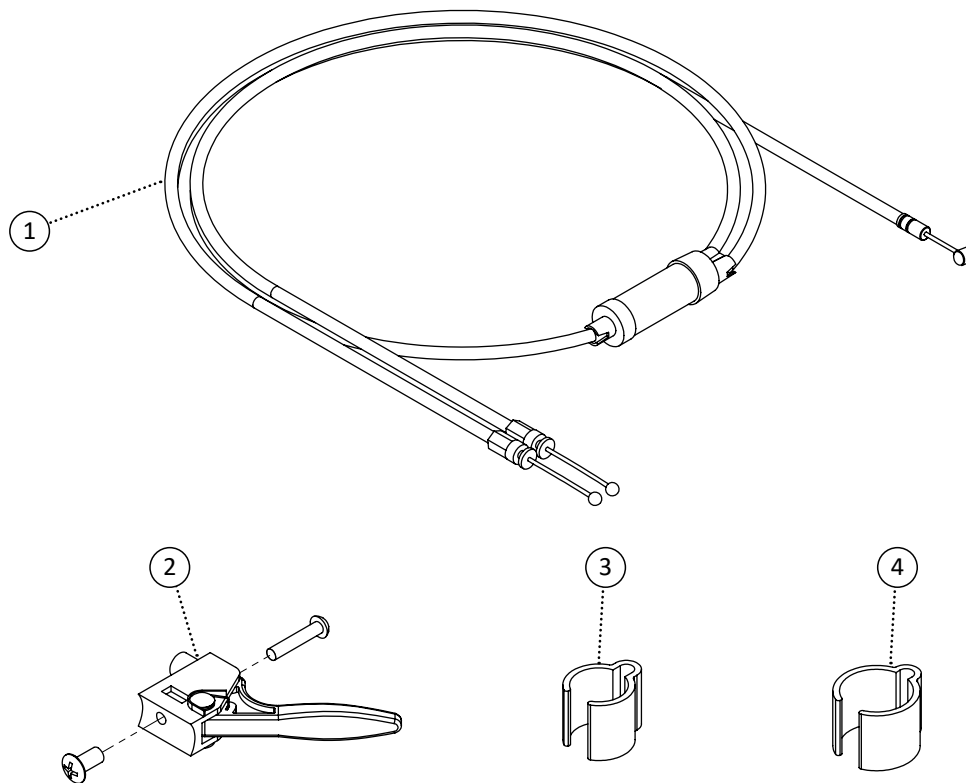
**Note:** If spreader kit is required, please provide chair width

Item	REF Number	Description	Quantity	MSRP	Notes
1	548468	Bushing, Nylon Bushing 1/4 ID. x 7/8 OD. x 1thk	1		
2	548948	PPM, Backpost Endomorph In 1/2 Offset Left	1		
3	548949	PPM, Backpost Endomorph In 1/2 Offset Right	1		
4	548946	PPM, Backpost Endomorph In 1 Offset Left	1		
5	548947	PPM, Backpost Endomorph In 1 Offset Right	1		
6	548950	PPM, Backpost Endomorph In 2 Offset Left	1		
7	548951	PPM, Backpost Endomorph In 2 Offset Right	1		
1,2	548634	Kit, Backpost Endomorph In 1/2 Offset Left Complete	1		
1,3	548636	Kit, Backpost Endomorph In 1/2 Offset Right Complete	1		
1,2,3	548635	Kit, Backpost Endomorph In 1/2 Offset Pair Complete	1		
1,4	548631	Kit, Backpost Endomorph In 1 Offset Left Complete	1		
1,5	548633	Kit, Backpost Endomorph In 1 Offset Right Complete	1		
1,4,5	548632	Kit, Backpost Endomorph In 1 Offset Pair Complete	1		
1,6	548637	Kit, Backpost Endomorph In 2 Offset Left Complete	1		
1,7	548639	Kit, Backpost Endomorph In 2 Offset Right Complete	1		
1,6,7	548638	Kit, Backpost Endomorph In 2 Offset Pair Complete	1		

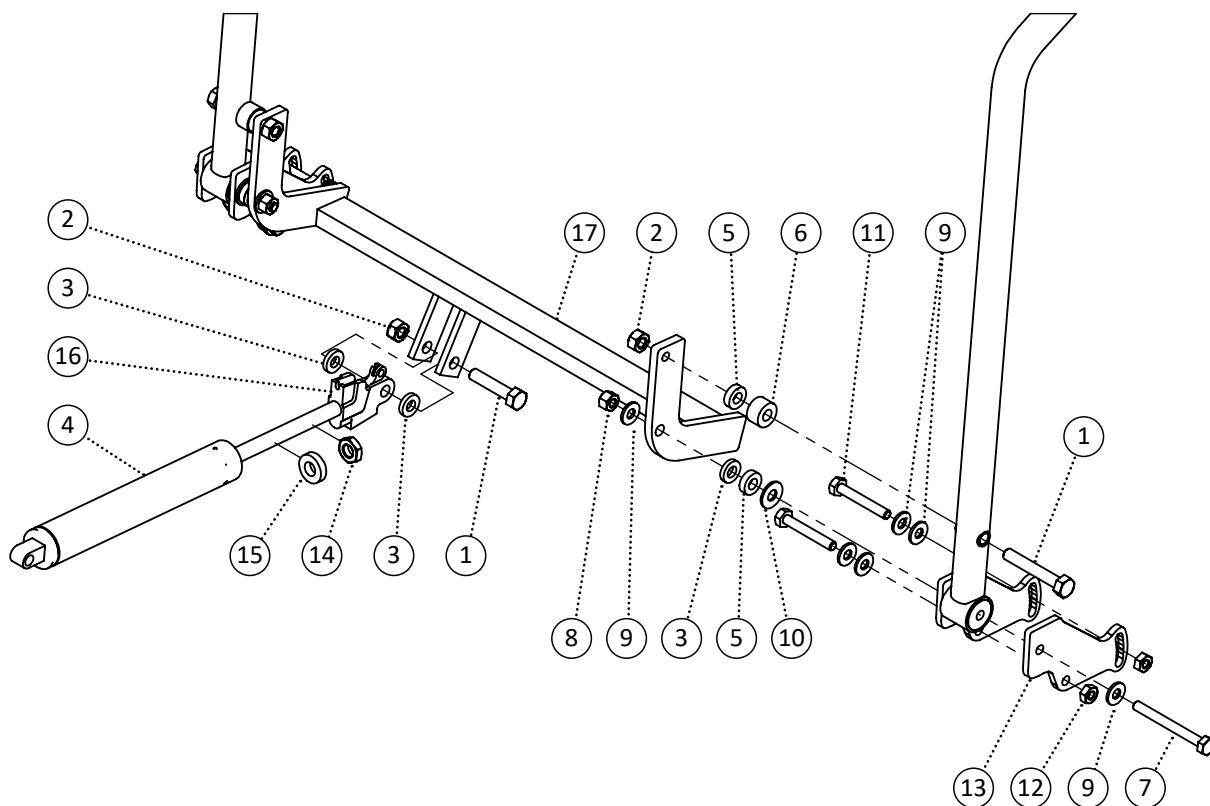




Item	REF Number	Description	Quantity	MSRP	Notes
1	549339	Screw, Hex Bolt 5/16-18 x 2	3		
2	548862	Nut, Nylon Lock Nut 5/16-18	4		
3	549341	Screw, Hex Bolt 5/16-18 x 2-1/4	1		
4	549389	Spacer, Nylon Spacer 5/16 ID. x .6 OD x .12thk (wht)	2		
5	549385	Spacer, 8.3mm ID x 18mm OD x 10mmthk	8		
6	549430	Washer, Nylon Washer 5/16 ID. x 3/4 OD. x .063thk	2		
7	548503	Clamp, 1 Tube Clamp	2		
8	548516	Cylinder, Gas Spring 500N Short	1		
9	548514	Cylinder, Gas Spring 200N Short	1		
10	548517	Cylinder, Head	2		
11	549395	Spacer, Rubber Spacer .39 ID. x .8 OD. x 0.2th	1		
12	548856	Nut, Jam Nut M10-1.0	2		
13	549393	Spacer, Nylon Spacer 7/16 ID. x .7 OD. x .25th	1		
14	548849	Lock, Collar Lock Subassembly	1		
<b>1-14</b>	<b>548829</b>	<b>Kit, Tilt Cylinders (STP) Complete Kit</b>	<b>1</b>		



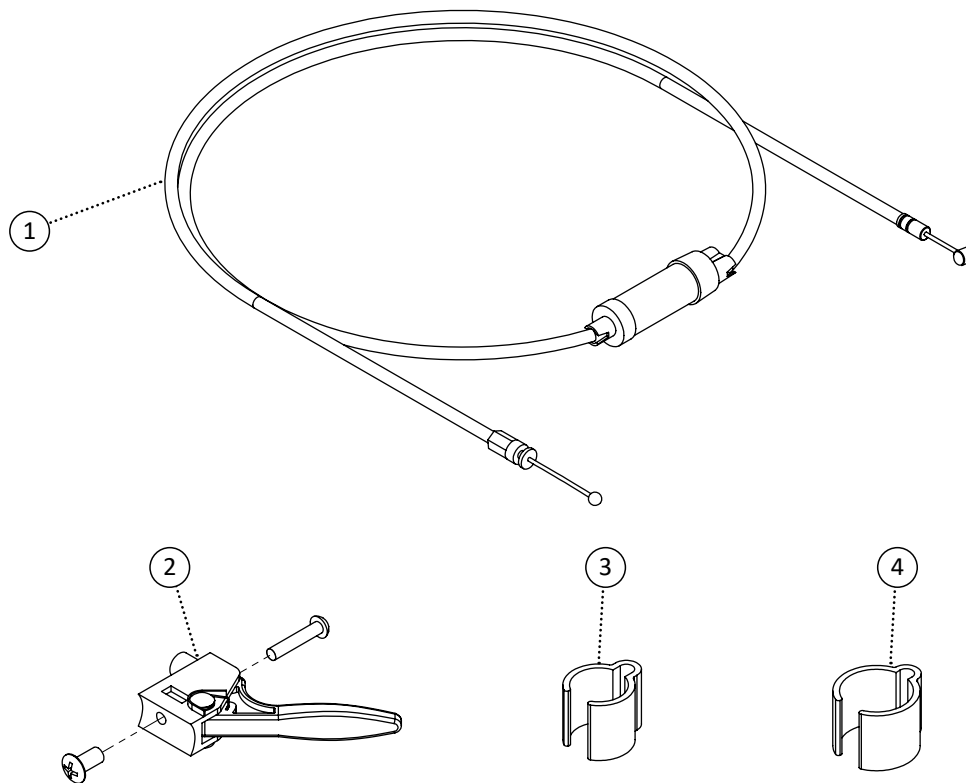
Item	REF Number	Description	Quantity	MSRP	Notes
1	548474	Cable, Cable Tilt Short Split (Low STF)	1		
1	548473	Cable, Cable Tilt Long Split (High STF)	1		
2	549409	Trigger, Tilt Trigger	1		
3	548504	Clamp, 7/8 Tube Clamp	2		
4	548503	Clamp, 1 Tube Clamp	1		
1-4	548826	Kit, STP Tilt Cable (Low STF) Complete Kit	1		
1-4	548825	Kit, STP Tilt Cable (High STF) Complete Kit	1		



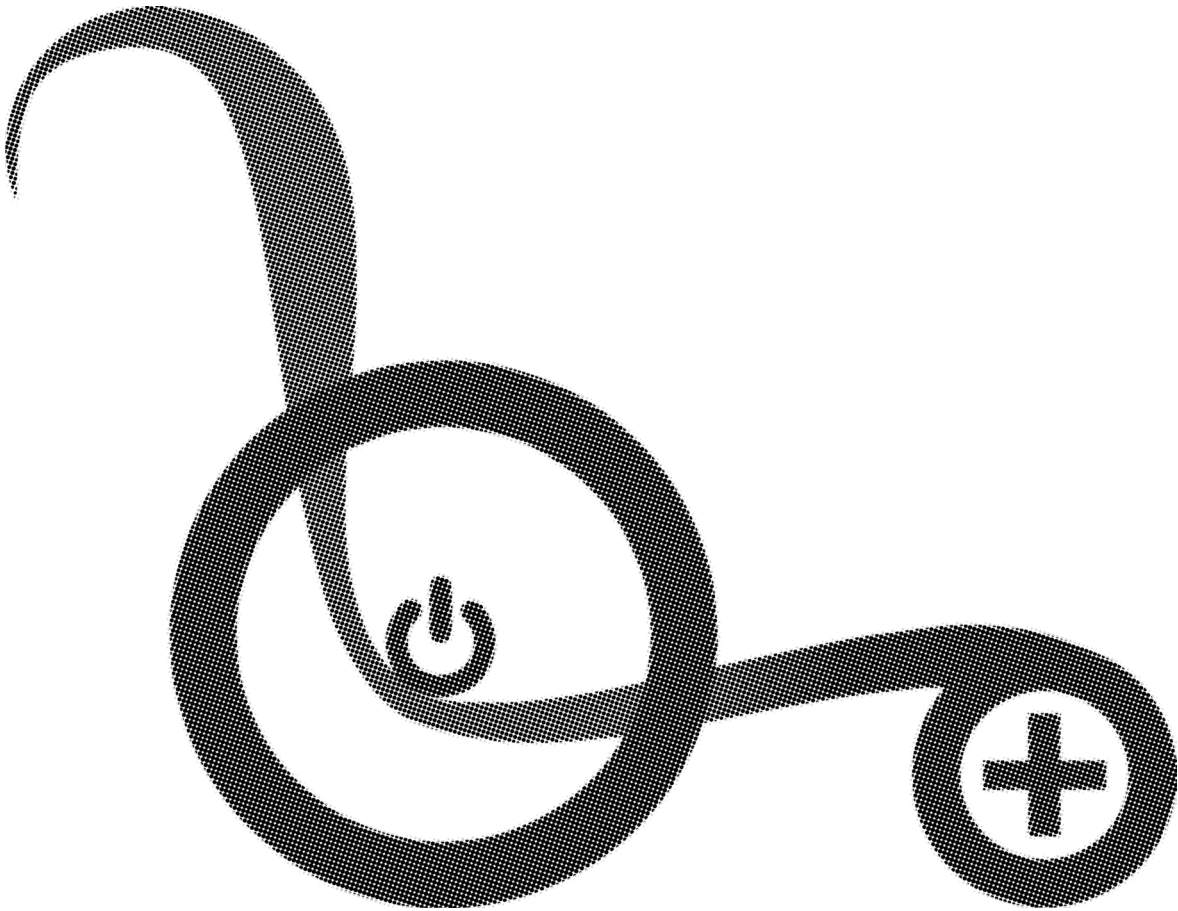
Item	REF Number	Description	Quantity	MSRP	Notes
1	549339	Screw, Hex Bolt 5/16-18 x 2	3		
2	548862	Nut, Nylon Lock Nut 5/16-18	1		
3	549389	Spacer, Nylon Spacer 5/16 ID. x .6 OD x .12thk (wht)	2		
4	548516	Cylinder, Gas Spring 500N Short	1		
5	549391	Spacer, Nylon Spacer 5/16 ID. x .6 OD. x .18thk (wht)	4		
6	549392	Spacer, Nylon Spacer 5/16 ID. x .7 OD x .4thk (blk)	2		
7	549333	Screw, Hex Bolt 1/4-20 x 2-1/2	2		
8	548859	Nut, Nylon Lock Nut 1/4-20	2		
9	549423	Washer, Flat Washer 1/4 ID. x 5/8 OD.	8		
10	549430	Washer, Nylon Washer 5/16 ID. x 3/4 OD. x .063thk	2		
11	549330	Screw, Hex Bolt 1/4-20 x 1-3/4	4		
12	548870	Nut, Nylon Lock Nut Thin 1/4-20	4		
13	548414	Bracket, Angle Adjustable Bracket Recline	4		
14	548856	Nut, Jam Nut M10-1.0	2		
15	549395	Spacer, Rubber Spacer .39 ID. x .8 OD. x 0.2th	1		
16	548517	Cylinder, Head	1		
17	549949	PPM, Recline Back Bracket (STP) 16	1		
18	549950	PPM, Recline Back Bracket (STP) 17	1		
19	549951	PPM, Recline Back Bracket (STP) 18	1		

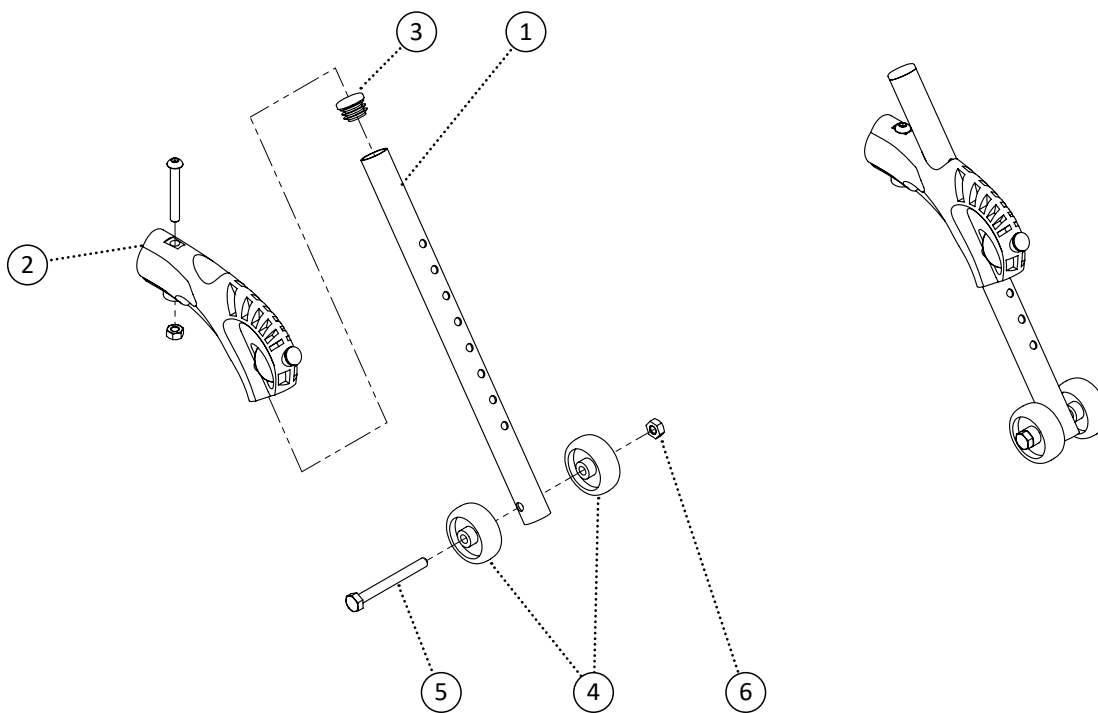


Item	REF Number	Description	Quantity	MSRP	Notes
20	549952	PPM, Recline Back Bracket (STP) 19	1		
21	549953	PPM, Recline Back Bracket (STP) 20	1		
22	549954	PPM, Recline Back Bracket (STP) 21	1		
23	549955	PPM, Recline Back Bracket (STP) 22	1		
24	549956	PPM, Recline Back Bracket (STP) 23	1		
25	549957	PPM, Recline Back Bracket (STP) 24	1		
<b>1-16,17</b>	<b>549958</b>	<b>Kit, Recline Back Bracket (STP) 16 Complete</b>	<b>1</b>		
<b>1-16,18</b>	<b>549959</b>	<b>Kit, Recline Back Bracket (STP) 17 Complete</b>	<b>1</b>		
<b>1-16,19</b>	<b>549960</b>	<b>Kit, Recline Back Bracket (STP) 18 Complete</b>	<b>1</b>		
<b>1-16,20</b>	<b>549961</b>	<b>Kit, Recline Back Bracket (STP) 19 Complete</b>	<b>1</b>		
<b>1-16,21</b>	<b>549962</b>	<b>Kit, Recline Back Bracket (STP) 20 Complete</b>	<b>1</b>		
<b>1-16,22</b>	<b>549963</b>	<b>Kit, Recline Back Bracket (STP) 21 Complete</b>	<b>1</b>		
<b>1-16,23</b>	<b>549964</b>	<b>Kit, Recline Back Bracket (STP) 22 Complete</b>	<b>1</b>		
<b>1-16,24</b>	<b>549965</b>	<b>Kit, Recline Back Bracket (STP) 23 Complete</b>	<b>1</b>		
<b>1-16,25</b>	<b>549966</b>	<b>Kit, Recline Back Bracket (STP) 24 Complete</b>	<b>1</b>		

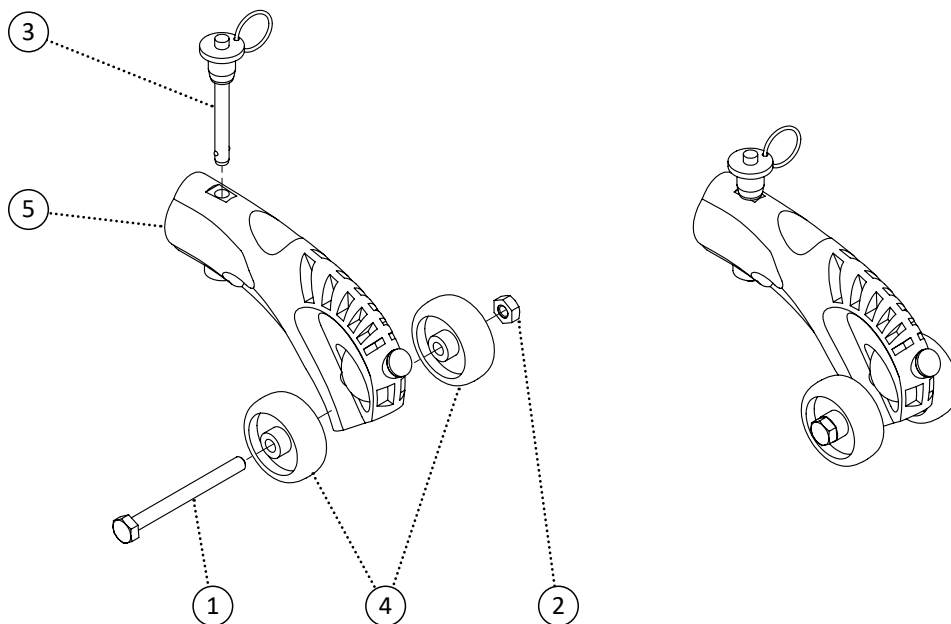


Item	REF Number	Description	Quantity	MSRP	Notes
1	548477	Cable, Tilt Cable Recline	1		
2	549409	Trigger, Tilt Trigger	1		
3	548504	Clamp, 7/8 Tube Clamp	2		
4	548503	Clamp, 1 Tube Clamp	1		
<b>1-4</b>	<b>548824</b>	<b>Kit, STP Recline Back Cable Complete Kit</b>	<b>1</b>		

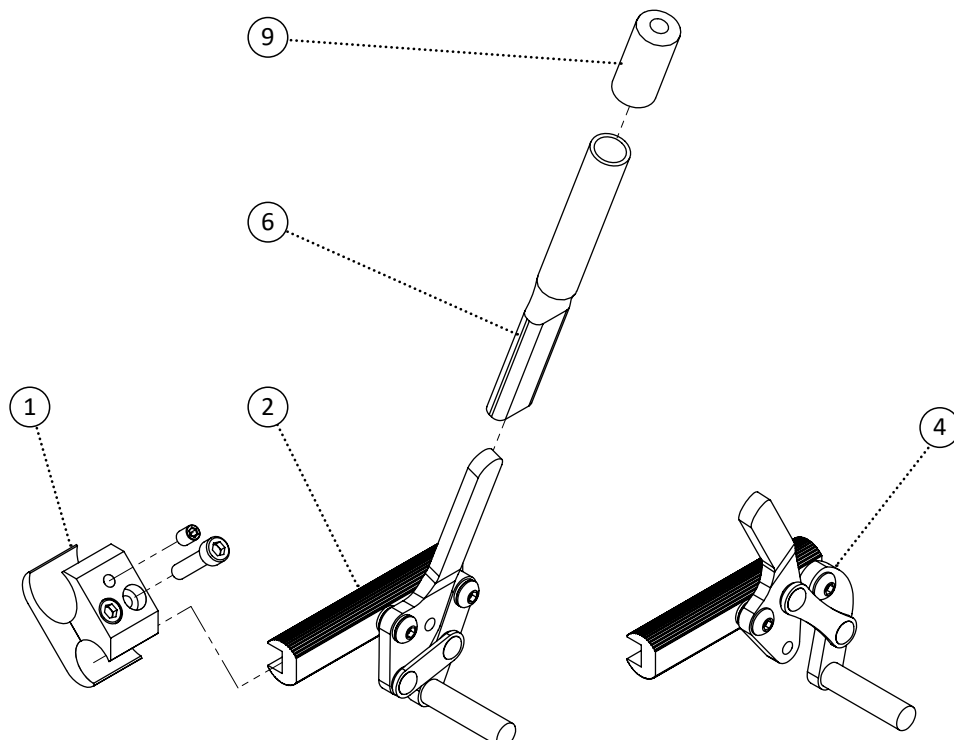




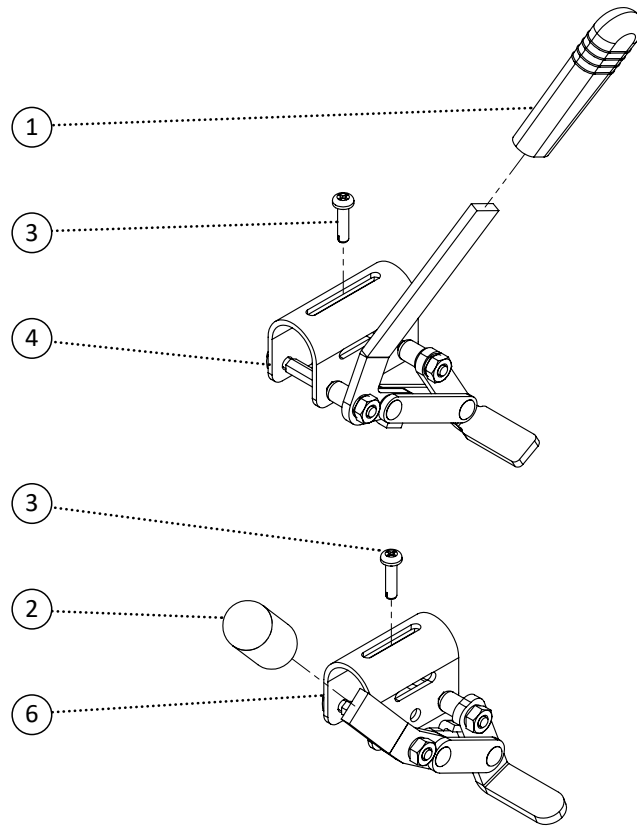
Item	REF Number	Description	Quantity	MSRP	Notes
1	548929	PPM, Anti-Tipper Extension	1		
2	548404	Block, Anti-Tipper Block	1		
3	548497	Cap, Round Plug 3/4	1		
4	549317	Roller, Anti-Tipper Roller 1-5/8	2		
5	549333	Screw, Hex Bolt 1/4-20 x 2-1/2	1		
6	548859	Nut, Nylon Lock Nut 1/4-20	1		
1-6	548552	Kit, Adjustable Anti-Tipper Complete Kit	1		



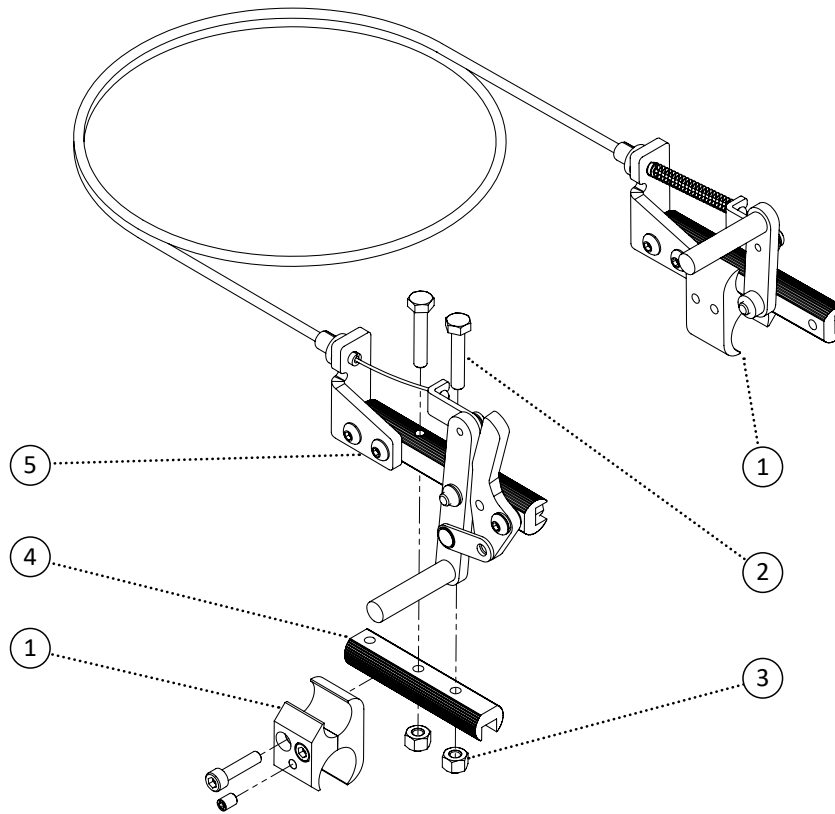
Item	REF Number	Description	Quantity	MSRP	Notes
1	549333	Screw, Hex Bolt 1/4-20 x 2-1/2	1		
2	548859	Nut, Nylon Lock Nut 1/4-20	1		
3	548883	Pin, Detachable Pin	1		
4	549317	Roller, Anti-Tipper Roller 1-5/8	2		
5	548404	Block, Anti-Tipper Block	1		
<b>1-5</b>	<b>548786</b>	<b>Kit, Short Anti-Tipper Complete Kit</b>	<b>1</b>		



Item	REF Number	Description	Quantity	MSRP	Notes
1	548505	Clamp, Aluminum Brake Clamp	1		
2	548448	Brake, Aluminum Push Wheel Lock Left	1		
3	548449	Brake, Aluminum Push Wheel Lock Right	1		
4	548446	Brake, Aluminum Pull Wheel Lock Left	1		
5	548447	Brake, Aluminum Pull Wheel Lock Right	1		
6	548989	PPM, Brake Extension 4	1		
7	548990	PPM, Brake Extension 6	1		
8	548991	PPM, Brake Extension 9	1		
9	548487	Cap, Brake Extension Cap Red	1		
10	548485	Cap, Brake Extension Cap Blue	1		
1,7,10,2	548581	Kit, Aluminum Push Wheel Lock Left Complete Kit	1		
1,7,10,3	548582	Kit, Aluminum Push Wheel Lock Right Complete Kit	1		
1,7,10,4	548579	Kit, Aluminum Pull Wheel Lock Left Complete Kit	1		
1,7,10,5	548580	Kit, Aluminum Pull Wheel Lock Right Complete Kit	1		

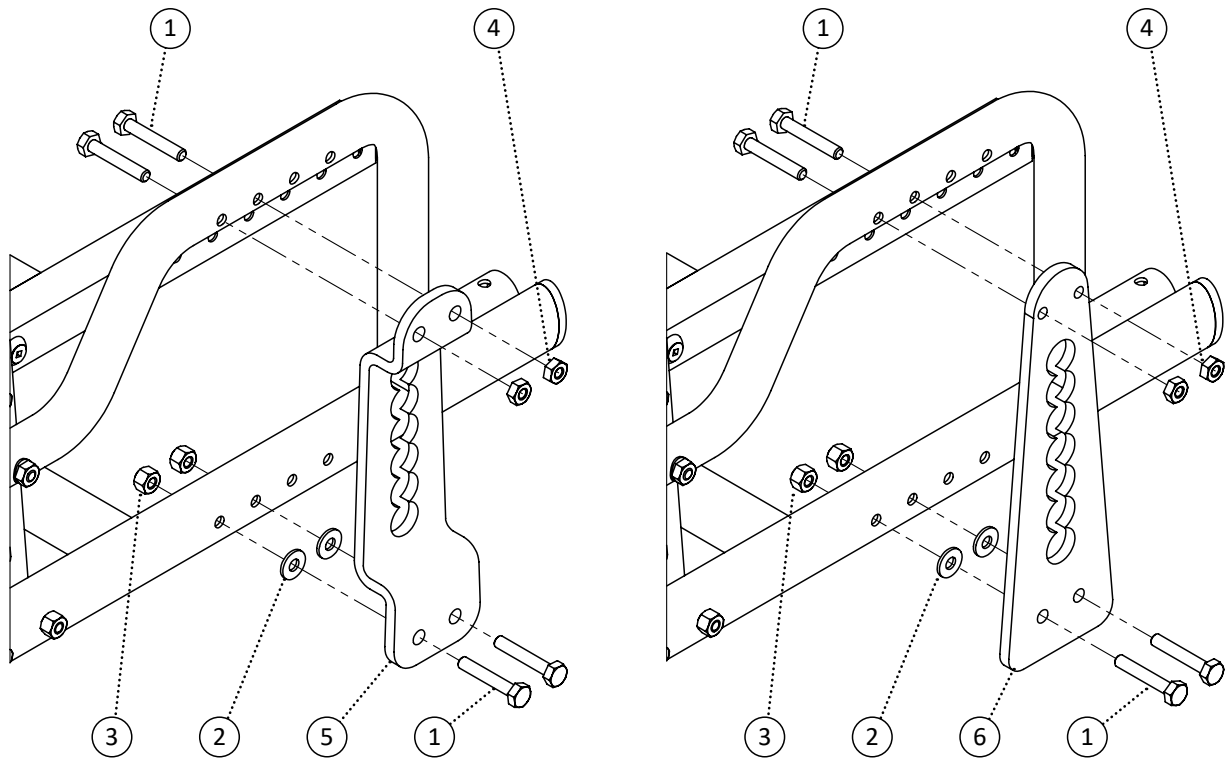


Item	REF Number	Description	Quantity	MSRP	Notes
1	548486	Cap, Brake Extension Cap Grey	1		
2	548484	Cap, Brake Extension Cap Black	1		
3	549380	Screw, Tapping M5-0.8 x 20	1		
4	548452	Brake, Steel Pull Wheel Lock Left	1		
5	548453	Brake, Steel Pull Wheel Lock Right	1		
6	548454	Brake, Steel Push Wheel Lock Left	1		
7	548455	Brake, Steel Push Wheel Lock Right	1		
1,3,4	548820	Kit, Steel Pull Wheel Lock Left Complete Kit	1		
1,3,5	548821	Kit, Steel Pull Wheel Lock Right Complete Kit	1		
1,3,6	548822	Kit, Steel Push Wheel Lock Left Complete Kit	1		
1,3,7	548823	Kit, Steel Push Wheel Lock Right Complete Kit	1		

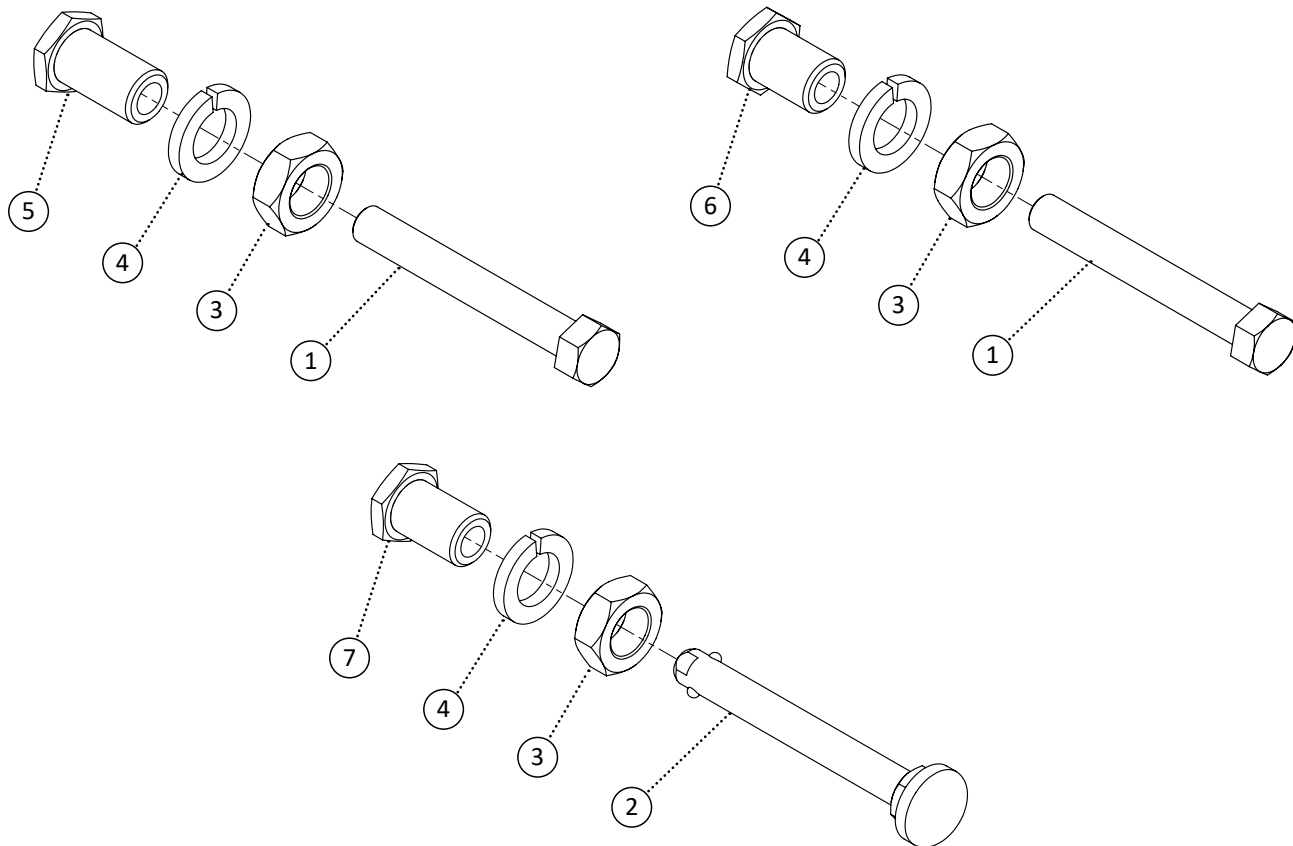


Item	REF Number	Description	Quantity	MSRP	Notes
1	548505	Clamp, Aluminum Brake Clamp	2		
2	549336	Screw, Hex Bolt 1/4-20 x 3/8	2		
3	548859	Nut, Nylon Lock Nut 1/4-20	2		
4	548450	Brake, Aluminum Wheel Lock Bracket	1		
5	549985	Brake, One Handed Brake Set Left	1		
6	549986	Brake, One Handed Brake Set Right	1		
1-4,5	549987	Kit, One Handed Brakes Tilt Left Complete Kit	1		
1-4,6	549988	Kit, One Handed Brakes Tilt Right Complete Kit	1		
1,5	549989	Kit, One Handed Brakes Folding Left Complete Kit	1		
1,6	549990	Kit, One Handed Brakes Folding Right Complete Kit	1		

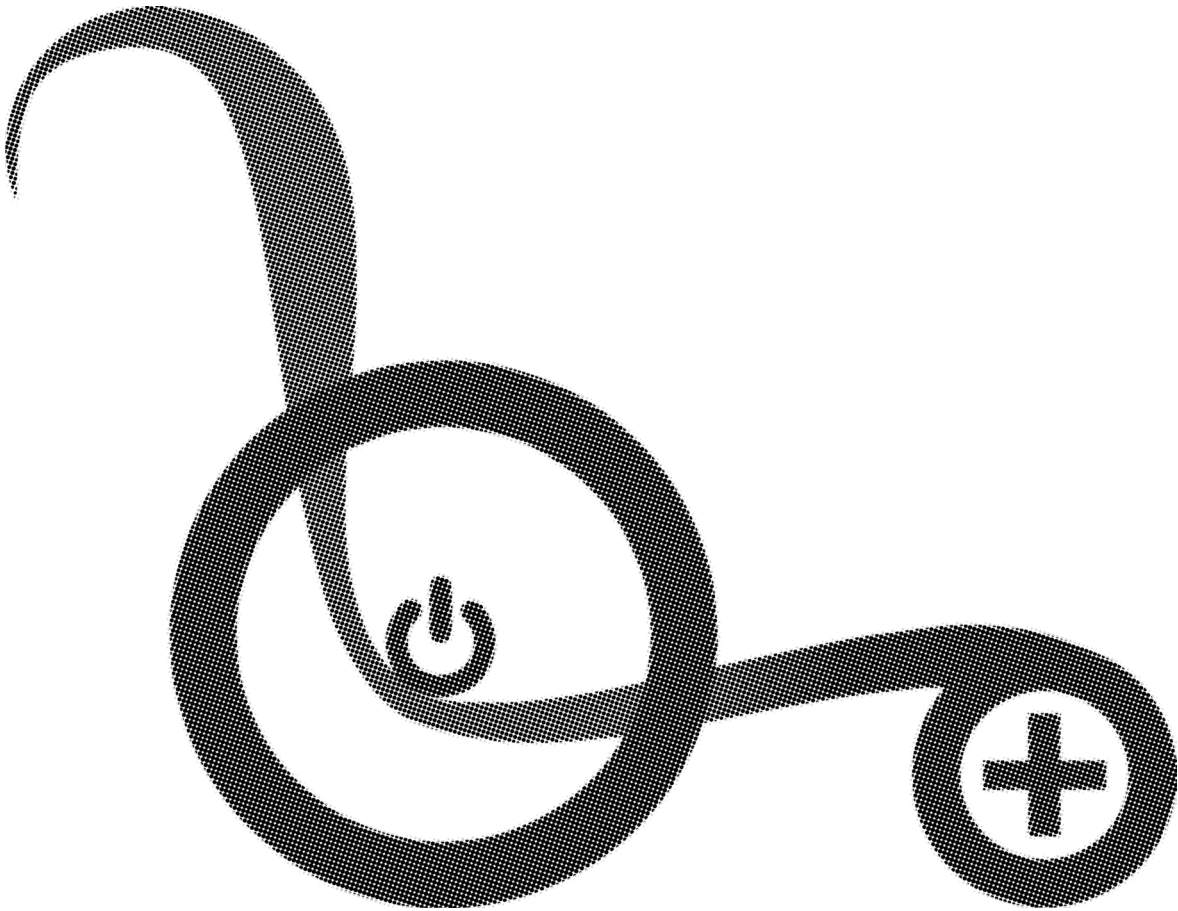


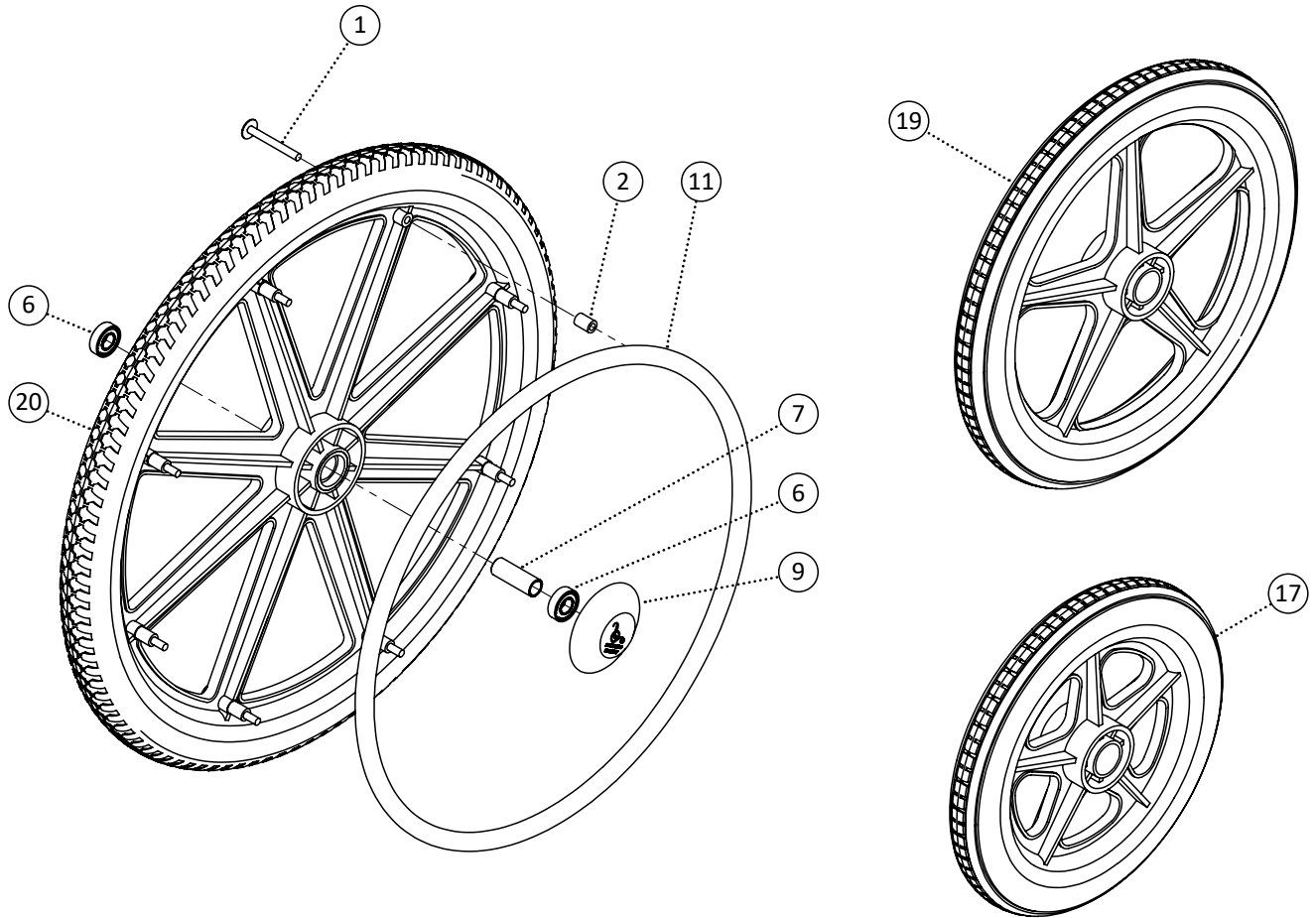


Item	REF Number	Description	Quantity	MSRP	Notes
1	549327	Screw, Hex Bolt 1/4-20 x 1-1/2	4		
2	549428	Washer, Nylon Washer .265ID x 5/8 OD x .063th	2		
3	548859	Nut, Nylon Lock Nut 1/4-20	2		
4	548870	Nut, Nylon Lock Nut Thin 1/4-20	2		
5	548893	Bracket, Recess Axle Bracket	1		
6	548894	Bracket, Straight Axle Bracket	1		
1-5	548783	Kit, Recess Axle Plate Complete Kit	1		
1-4,6	548827	Kit, Straight Plate Complete Kit	1		



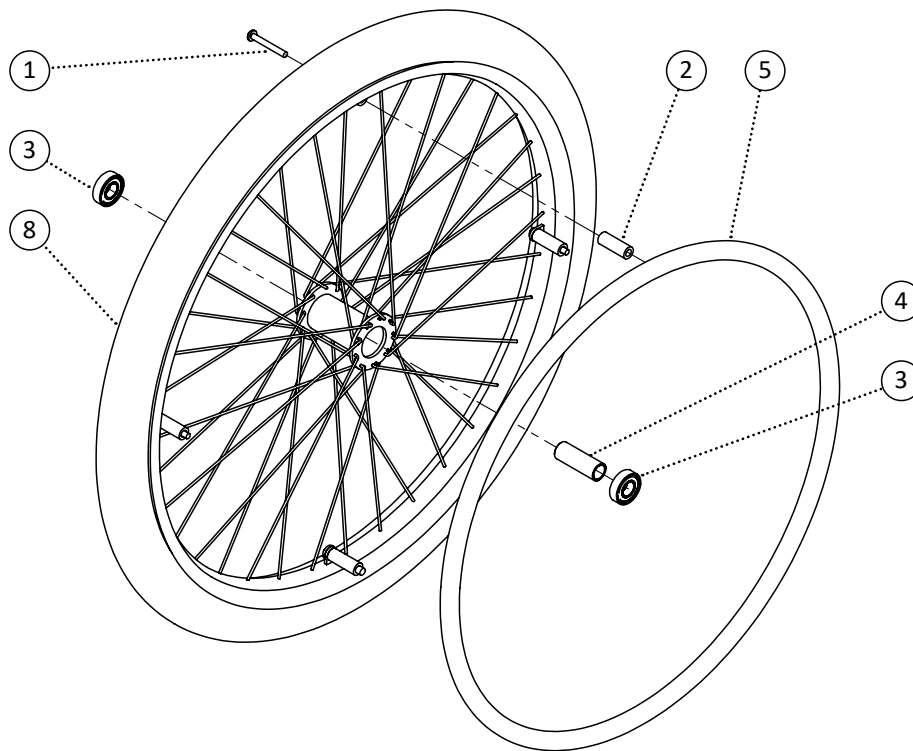
Item	REF Number	Description	Quantity	MSRP	Notes
1	548396	Axle, Bolt 1/2-20 x 3-3/4	1		
2	548397	Axle, Quick Release	1		
3	548854	Nut, Jam Nut 3/4-16	1		
4	549427	Washer, Lock Washer 3/4	1		
5	548393	Axle, Axle Receiver Bolted Long	1		
6	548394	Axle, Axle Receiver Bolted Short	1		
7	548395	Axle, Axle Receiver Quick Release	1		
1,3,4,5	548627	Kit, Axle Bolted Long	1		
1,3,4,6	548628	Kit, Axle Bolted Short	1		
2,3,4,7	548629	Kit, Axle Quick Release	1		



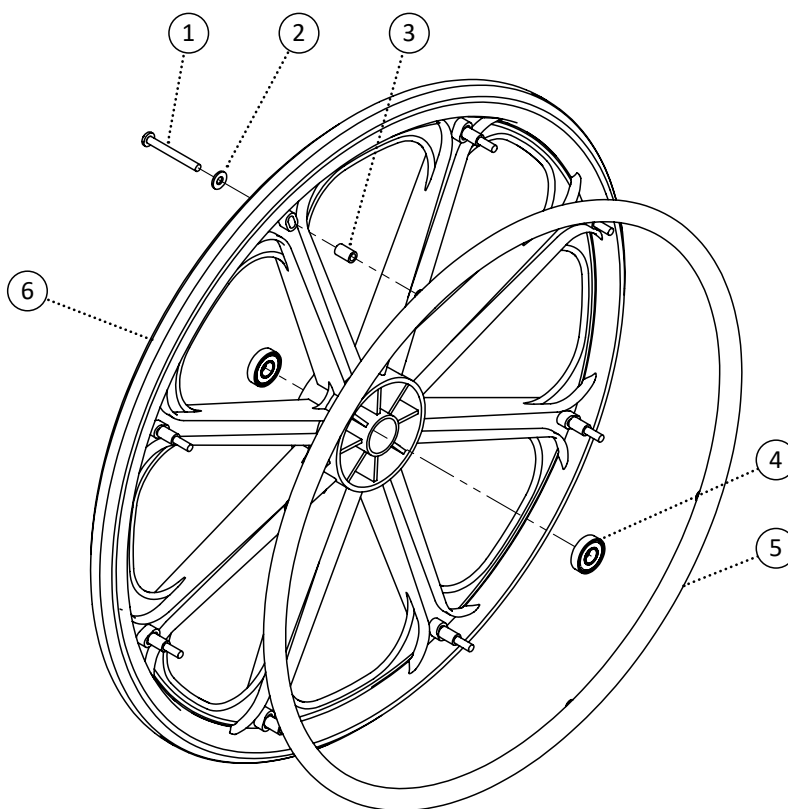


Item	REF Number	Description	Quantity	MSRP	Notes
1	549502	Screw, Pan Washer Head 1/4-20 x 2-1/4	8		
2	548467	Spacer, Nylon Spacer 1/4 ID x 7/16 OD. x .630thk	8		
3	549503	Screw, Pan Head 1/4-20 x 2	8		
4	549423	Washer, Flat Washer 1/4 ID. x 5/8 OD.	8		
5	549504	Spacer, Nylon Spacer 1/4 ID. x 7/16 OD. x .312thk	8		
6	548399	Ball Bearing, Ball Bearing 1/2	2		
7	548457	Bushing, Aluminum Wheel Bushing 1/2	1		
8	550002	Bushing, Aluminum Wheel Bushing Recessed 1/2	1		
9	549505	Cap, Wheel Hub Cap	1		
10	549506	Cap, Wheel Hub Cap Quick Release	1		
11	548547	Handrim, 20 Handrim Chrome Coated	1		
12	548550	Handrim, 22 Handrim Chrome Coated	1		
13	548553	Handrim, 24 Handrim Chrome Coated	1		
14	548548	Handrim, 20 Handrim Plastic Coated	1		
15	548551	Handrim, 22 Handrim Plastic Coated	1		
16	548554	Handrim, 24 Handrim Plastic Coated	1		
17	549507	Wheel, 12 Composite Wheel Smooth	1		
18	549508	Wheel, 12 Composite Wheel Regular	1		
19	549509	Wheel, 16 Composite Wheel Regular	1		

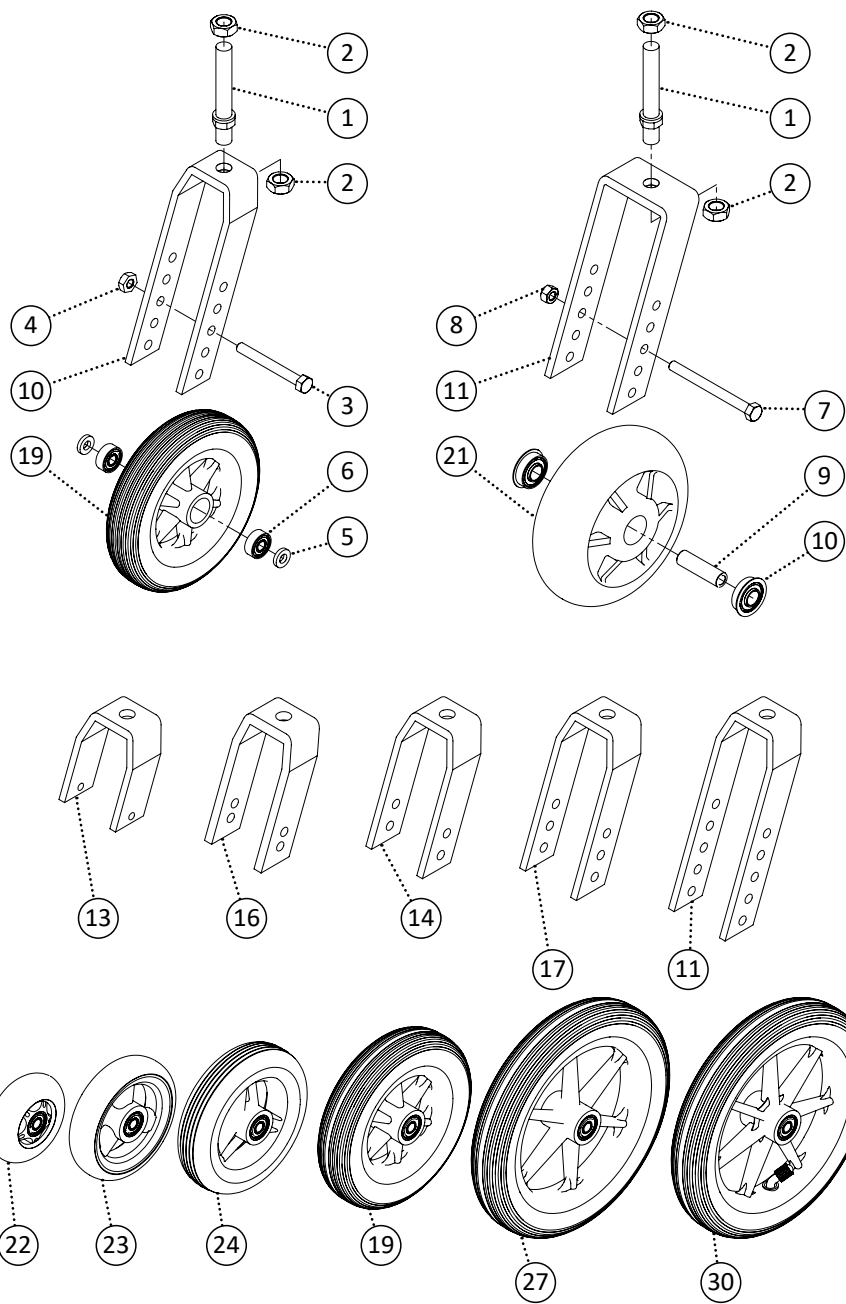
Item	REF Number	Description	Quantity	MSRP	Notes
20	549510	Wheel, 20 Composite Wheel Regular	1		
21	549511	Wheel, 22 Composite Wheel Regular	1		
22	549512	Wheel, 24 Composite Wheel Regular	1		
23	549513	Wheel, 20 Composite Wheel Pneumatic	1		
24	549514	Wheel, 22 Composite Wheel Pneumatic	1		
25	549515	Wheel, 24 Composite Wheel Pneumatic	1		
26	549999	Wheel, 20 Composite Wheel Recessed	1		
27	550000	Wheel, 22 Composite Wheel Recessed	1		
28	550001	Wheel, 24 Composite Wheel Recessed	1		
29	549516	Tire, 20 Wheel Pneumatic	1		
30	549517	Tire, 22 Wheel Pneumatic	1		
31	549518	Tire, 24 Wheel Pneumatic	1		
1,2,6,7,15	549519	Kit, 12 Composite Wheel Left Smooth Kit	1		
1,2,6,7,15	549520	Kit, 12 Composite Wheel Right Smooth Kit	1		
1,2,6,7,16	549521	Kit, 12 Composite Wheel Left Rough Kit	1		
1,2,6,7,16	549522	Kit, 12 Composite Wheel Right Rough Kit	1		
1,2,6,7,17	549523	Kit, 16 Composite Wheel Left Regular Kit	1		
1,2,6,7,17	549524	Kit, 16 Composite Wheel Right Regular Kit	1		
1,2,6,7,9,11,20	549525	Kit, 20 Composite Wheel Left Regular Kit	1		
1,2,6,7,9,11,20	549526	Kit, 20 Composite Wheel Right Regular Kit	1		
1,2,6,7,9,12,21	549527	Kit, 22 Composite Wheel Left Regular Kit	1		
1,2,6,7,9,12,21	549528	Kit, 22 Composite Wheel Right Regular Kit	1		
1,2,6,7,9,13,22	549529	Kit, 24 Composite Wheel Left Regular Kit	1		
1,2,6,7,9,13,22	549530	Kit, 24 Composite Wheel Right Regular Kit	1		
1,2,6,7,9,14,20,23	549531	Kit, 20 Composite Wheel Left Pneumatic Kit	1		
1,2,6,7,9,14,20,23	549532	Kit, 20 Composite Wheel Right Pneumatic Kit	1		
1,2,6,7,9,15,21,24	549533	Kit, 22 Composite Wheel Left Pneumatic Kit	1		
1,2,6,7,9,15,21,24	549534	Kit, 22 Composite Wheel Right Pneumatic Kit	1		
1,2,6,7,9,16,22,25	549535	Kit, 24 Composite Wheel Left Pneumatic Kit	1		
1,2,6,7,9,16,22,25	549536	Kit, 24 Composite Wheel Right Pneumatic Kit	1		
1,2,6,8,9,16,26	550003	Kit, 20 Composite Wheel Left Recessed Kit	1		
1,2,6,8,9,16,26	550004	Kit, 20 Composite Wheel Right Recessed Kit	1		
1,2,6,8,9,16,27	550005	Kit, 22 Composite Wheel Left Recessed Kit	1		
1,2,6,8,9,16,27	550006	Kit, 22 Composite Wheel Right Recessed Kit	1		
1,2,6,8,9,16,28	550007	Kit, 24 Composite Wheel Left Recessed Kit	1		
1,2,6,8,9,16,28	550008	Kit, 24 Composite Wheel Right Recessed Kit	1		



Item	REF Number	Description	Quantity	MSRP	Notes
1	549502	Screw, Pan Washer Head 1/4-20 x 2-1/4	4		
2	549537	Bushing, Aluminum Handrim Bushing 1/4 ID.	4		
3	548399	Ball Bearing, Ball Bearing 1/2	2		
4	548457	Bushing, Aluminum Wheel Bushing 1/2	1		
5	549538	Handrim, 20 Handrim Aluminum Coated	1		
6	549539	Handrim, 22 Handrim Aluminum Coated	1		
7	549540	Handrim, 24 Handrim Aluminum Coated	1		
8	549541	Wheel, 20 Spoke Wheel Regular	1		
9	549542	Wheel, 22 Spoke Wheel Regular	1		
10	549543	Wheel, 24 Spoke Wheel Regular	1		
1-4,5,8	549544	Kit, 20 Spoke Wheel Left Regular Kit	1		
1-4,5,8	549545	Kit, 20 Spoke Wheel Right Regular Kit	1		
1-4,6,9	549546	Kit, 22 Spoke Wheel Left Regular Kit	1		
1-4,6,9	549547	Kit, 22 Spoke Wheel Right Regular Kit	1		
1-4,7,10	549548	Kit, 24 Spoke Wheel Left Regular Kit	1		
1-4,7,10	549549	Kit, 24 Spoke Wheel Right Regular Kit	1		



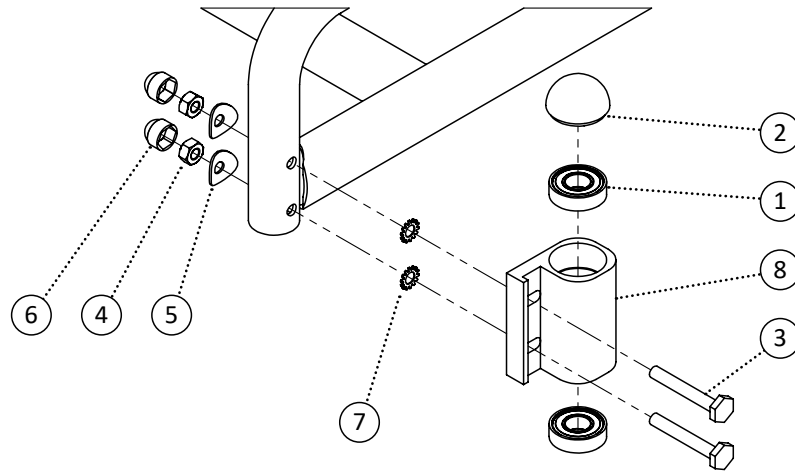
Item	REF Number	Description	Quantity	MSRP	Notes
1	549350	Screw, Pan Head 1/4-20 x 2-1/4	8		
2	549423	Washer, Flat Washer 1/4 ID. x 5/8 OD.	8		
3	549550	Spacer, 1/4 ID. x 3/8 OD. x .630thk	8		
4	548399	Ball Bearing, Ball Bearing 1/2	2		
5	549551	Handrim, 24 Handrim Heavy Duty	1		
6	549552	Wheel, 24 Composite Wheel Heavy Duty	1		
1-6	549553	Kit, 24 Composite Wheel Heavy Duty Left Kit	1		
1-6	549554	Kit, 24 Composite Wheel Heavy Duty Right Kit	1		



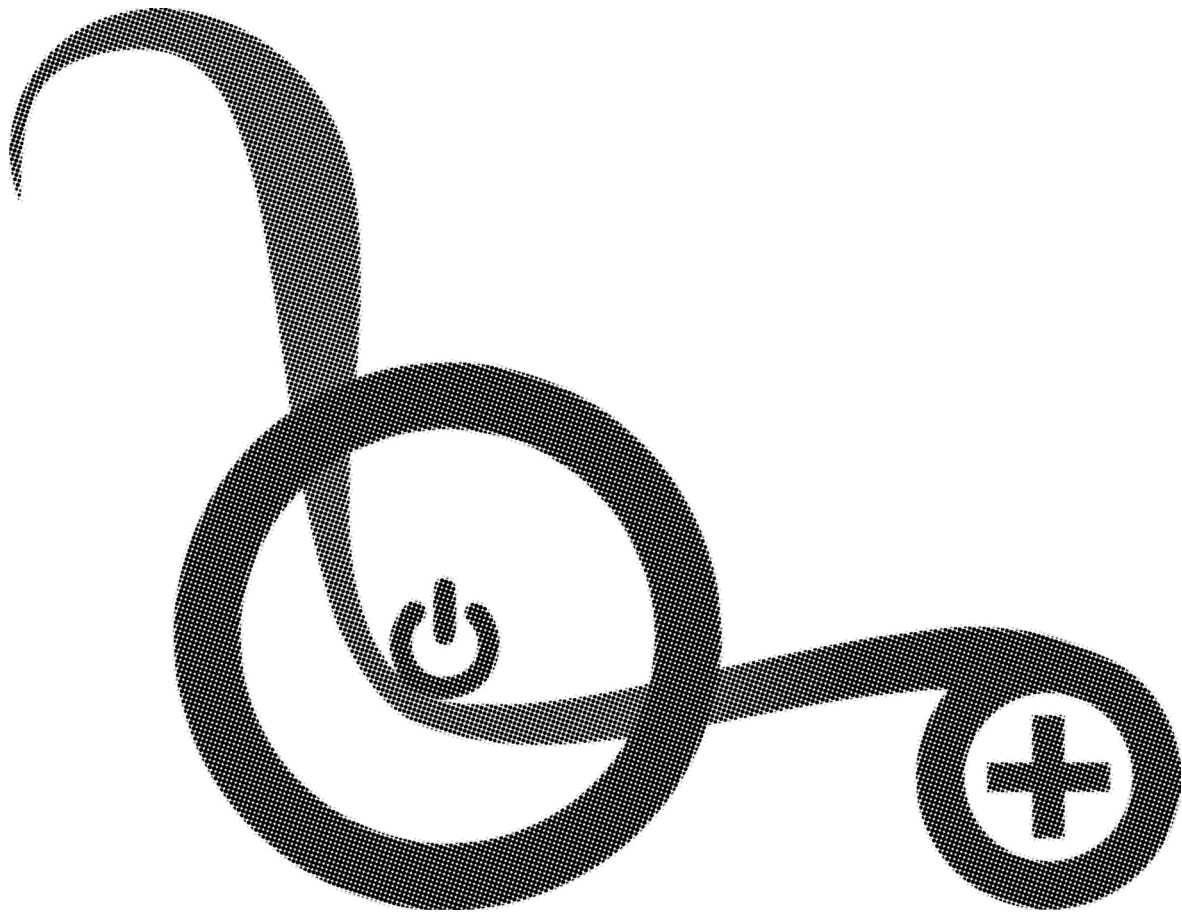
Item	REF Number	Description	Quantity	MSRP	Notes
1	549322	Screw, Double Sided Screw 1/2-20 x 3-5/8	1		
2	548857	Nut, Lock Nut 1/2-20	1		
3	549342	Screw, Hex Bolt 5/16-18 x 2-3/4	1		
4	548875	Nut, Nylon Lock Nut Thin 5/16-18	1		
5	549389	Spacer, Nylon Spacer 5/16 ID. x .6 OD x .12thk (wht)	2		
6	548401	Ball Bearing, Caster Wheel	2		
7	549343	Screw, Hex Bolt 5/16-18 x 3-1/2	1		
8	548862	Nut, Nylon Lock Nut 5/16-18	1		
9	548466	Bushing, Heavy Duty Caster Bushing	1		
10	548402	Ball Bearing, Caster Wheel Heavy Duty	2		

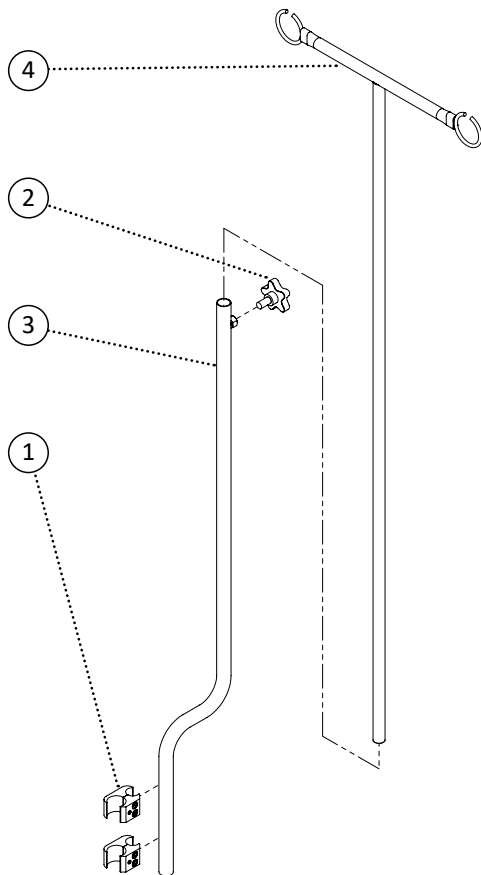


Item	REF Number	Description	Quantity	MSRP	Notes
11	548425	Bracket, Caster Fork 5-Hole Aluminum	1		
12	548426	Bracket, Caster Fork 5-Hole Steel	1		
13	548419	Bracket, Caster Fork 1-Hole Short	1		
14	548420	Bracket, Caster Fork 2-Hole Aluminum	1		
15	548422	Bracket, Caster Fork 2-Hole Steel	1		
16	548421	Bracket, Caster Fork 2-Hole Narrow Aluminum	1		
17	548423	Bracket, Caster Fork 3-Hole Aluminum	1		
18	548424	Bracket, Caster Fork 3-Hole Steel	1		
19	549476	Wheel, 6 x 1.25 Caster	1		
20	549477	Wheel, 6 x 1.75 Caster	1		
21	549478	Wheel, 6 x 2 Caster	1		
22	549471	Wheel, 3 Caster	1		
23	549472	Wheel, 4 Caster	1		
24	549473	Wheel, 5 x 1.25 Caster	1		
25	549474	Wheel, 5 x 1.75 Caster	1		
26	549475	Wheel, 5 x 2 Caster	1		
27	549480	Wheel, 8 x 1.25 Caster Polyurethane	1		
28	549481	Wheel, 8 x 1.75 Caster Polyurethane	1		
29	549482	Wheel, 8 x 2 Caster Polyurethane	1		
30	549479	Wheel, 8 x 1.25 Caster Pneumatic	1		
<b>1-4,11</b>	<b>548689</b>	<b>Kit, Caster Fork 5-Hole Aluminum Complete</b>	<b>1</b>		
<b>1,2,7,8,12</b>	<b>548690</b>	<b>Kit, Caster Fork 5-Hole Steel Complete</b>	<b>1</b>		
<b>1-4,13</b>	<b>548683</b>	<b>Kit, Caster Fork 1-Hole Short Complete</b>	<b>1</b>		
<b>1-4,14</b>	<b>548684</b>	<b>Kit, Caster Fork 2-Hole Aluminum Complete</b>	<b>1</b>		
<b>1,2,7,8,15</b>	<b>548686</b>	<b>Kit, Caster Fork 2-Hole Steel Complete</b>	<b>1</b>		
<b>1-4,16</b>	<b>548685</b>	<b>Kit, Caster Fork 2-Hole Narrow Aluminum Complete</b>	<b>1</b>		
<b>1-4,17</b>	<b>548687</b>	<b>Kit, Caster Fork 3-Hole Aluminum Complete</b>	<b>1</b>		
<b>1,2,7,8,18</b>	<b>548688</b>	<b>Kit, Caster Fork 3-Hole Steel Complete</b>	<b>1</b>		
<b>3-6,19</b>	<b>548571</b>	<b>Kit, 6 x 1.25 Caster Complete</b>	<b>1</b>		
<b>3-6,20</b>	<b>548572</b>	<b>Kit, 6 x 1.75 Caster Complete</b>	<b>1</b>		
<b>7-10,21</b>	<b>548573</b>	<b>Kit, 6 x 2 Caster Complete</b>	<b>1</b>		
<b>3-6,22</b>	<b>548566</b>	<b>Kit, 3 Caster Complete</b>	<b>1</b>		
<b>3-6,23</b>	<b>548567</b>	<b>Kit, 4 Caster Complete</b>	<b>1</b>		
<b>3-6,24</b>	<b>548568</b>	<b>Kit, 5 x 1.25 Caster Complete</b>	<b>1</b>		
<b>3-6,25</b>	<b>548569</b>	<b>Kit, 5 x 1.75 Caster Complete</b>	<b>1</b>		
<b>7-10,26</b>	<b>548570</b>	<b>Kit, 5 x 2 Caster Complete</b>	<b>1</b>		
<b>3-6,27</b>	<b>548575</b>	<b>Kit, 8 x 1.25 Caster Polyurethane Complete</b>	<b>1</b>		
<b>3-6,28</b>	<b>548576</b>	<b>Kit, 8 x 1.75 Caster Polyurethane Complete</b>	<b>1</b>		
<b>7-10,29</b>	<b>548577</b>	<b>Kit, 8 x 2 Caster Polyurethane Complete</b>	<b>1</b>		
<b>3-6,30</b>	<b>548574</b>	<b>Kit, 8 x 1.25 Caster Pneumatic Complete</b>	<b>1</b>		

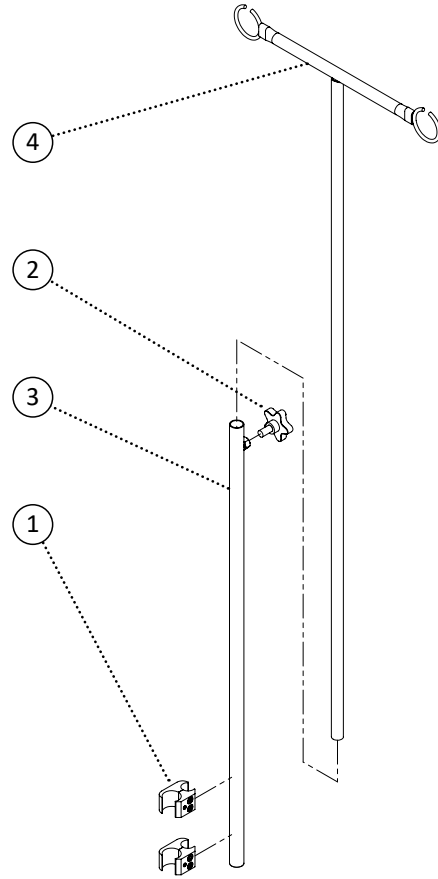


Item	REF Number	Description	Quantity	MSRP	Notes
1	548400	Ball Bearing, Caster Mount	2		
2	548490	Cap, Caster Mount Cap	1		
3	549346	Screw, Offset Bolt 1/4-28 x 1-3/4	2		
4	548861	Nut, Nylon Lock Nut 1/4-28	2		
5	549416	Washer, Curved Washer 1/4 ID. x 3/4 OD. x .04thk	2		
6	548480	Cap, 1/4 Nut Cap	2		
7	549417	Washer, External Tooth Lock 1/4	2		
8	548427	Bracket, Caster Mount	1		
<b>1-8</b>	<b>549555</b>	<b>Kit, Caster Journal Housing Complete (Tilt Chair)</b>	<b>1</b>		

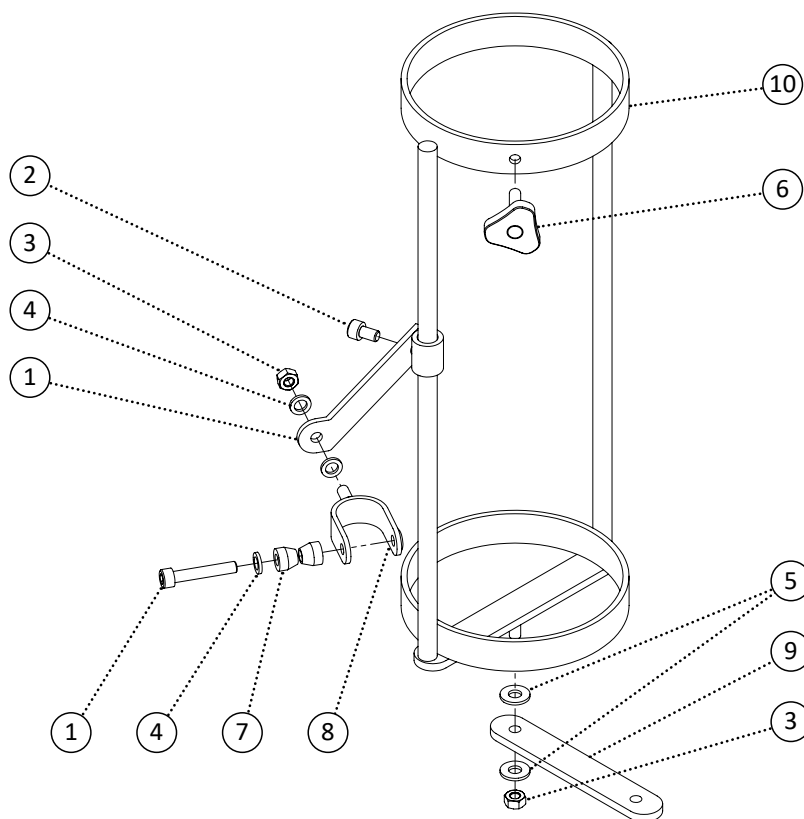




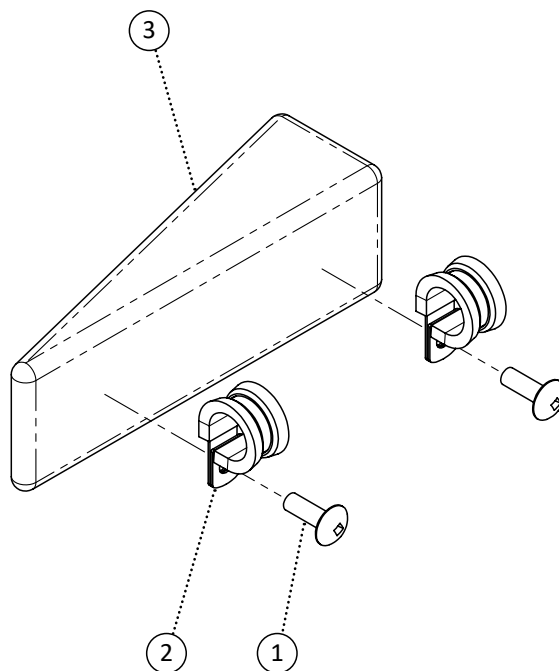
Item	REF Number	Description	Quantity	MSRP	Notes
1	548505	Clamp, Aluminum Brake Clamp	2		
2	548842	Knob, 5-Prong 3/8-16 x 3/4	1		
3	549107	PPM, I.V. Pole Offset Receiver	1		
4	549106	PPM, I.V. Pole Extension	1		
1-4	548742	Kit, I.V. Pole Offset Complete	1		



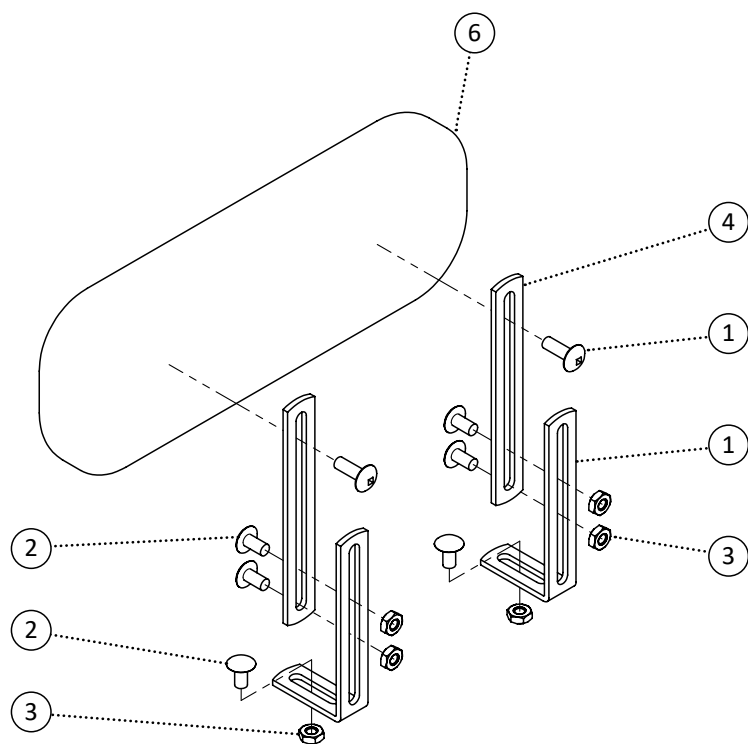
Item	REF Number	Description	Quantity	MSRP	Notes
1	548505	Clamp, Aluminum Brake Clamp	2		
2	548842	Knob, 5-Prong 3/8-16 x 3/4	1		
3	549108	PPM, I.V. Straight Pole Receiver	1		
4	549106	PPM, I.V. Pole Extension	1		
<b>1-4</b>	<b>548743</b>	<b>Kit, I.V. Pole Straight Complete</b>	<b>1</b>		



Item	REF Number	Description	Quantity	MSRP	Notes
1	549377	Screw, Socket Head M6-1.0 x 35	1		
2	549376	Screw, Socket Head M6-1.0 x 10	1		
3	548866	Nut, Nylon Lock Nut M6-1.0	2		
4	549420	Washer, Flat Washer 1/4 ID. x .4 OD.	3		
5	549419	Washer, Flat Washer 1/2 ID. x 5/8 OD.	2		
6	548846	Knob, Tristar M6-1.0 x 16.5	1		
7	549384	Spacer, 1/4 ID. Chamfer	2		
8	548509	Clamp, Oxygen Tank U-Clamp	1		
9	548438	Bracket, Oxygen Tank Base (STP)	1		
10	548437	Bracket, Oxygen Tank	1		
<b>1-10</b>	<b>548756</b>	<b>Kit, Oxygen Tank Complete</b>	<b>1</b>		

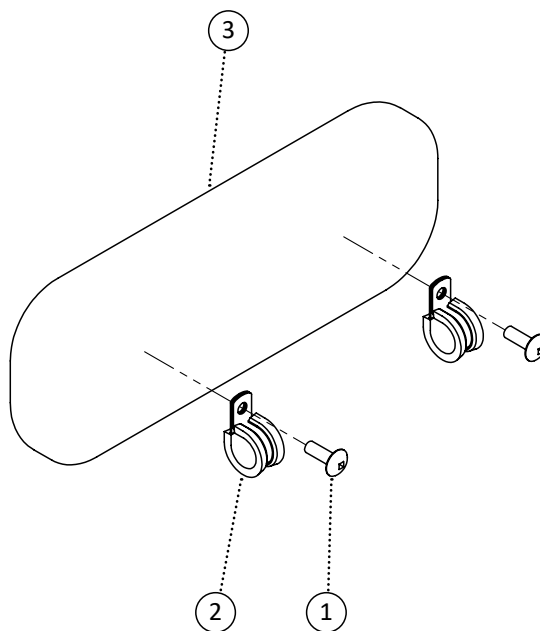


Item	REF Number	Description	Quantity	MSRP	Notes
1	549382	Screw, Truss Head 1/4-20 x 3/4	2		
2	549694	Clamp, P-Clip	2		
3	549934	PPM, Adductor Wedge Pad 8 x 4	1		
4	549935	PPM, Adductor Wedge Pad 10 x 4	1		
5	549936	PPM, Adductor Wedge Pad 12 x 4	1		
6	549937	PPM, Adductor Wedge Pad 14 x 4	1		
<b>1,2,3</b>	<b>549938</b>	<b>Kit, Adductor Wedge Pad 8 x 4 Complete</b>	<b>1</b>		
<b>1,2,4</b>	<b>549939</b>	<b>Kit, Adductor Wedge Pad 10 x 4 Complete</b>	<b>1</b>		
<b>1,2,5</b>	<b>549940</b>	<b>Kit, Adductor Wedge Pad 12 x 4 Complete</b>	<b>1</b>		
<b>1,2,6</b>	<b>549941</b>	<b>Kit, Adductor Wedge Pad 14 x 4 Complete</b>	<b>1</b>		

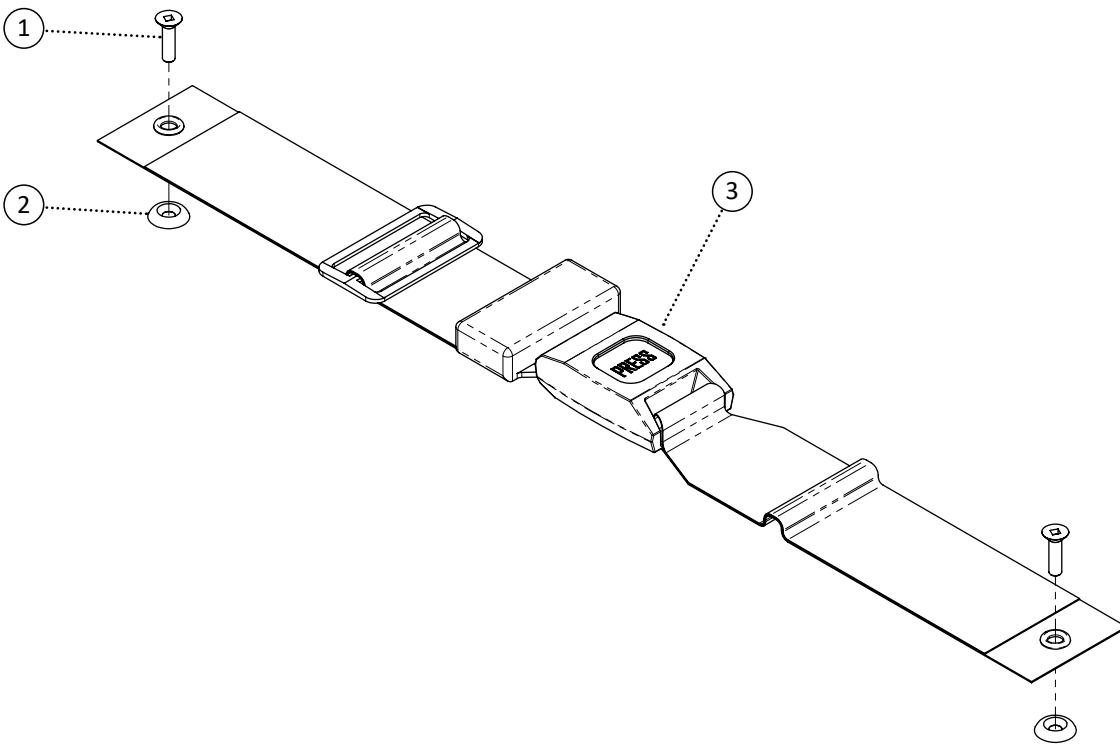


Item	REF Number	Description	Quantity	MSRP	Notes
1	549382	Screw, Truss Head 1/4-20 x 3/4	2		
2	549682	Screw, Round Head 1/4-20 x 1/2	6		
3	549683	Nut, Serrated Flange Nut 1/4-20	6		
4	549684	Bracket, Adductor Extension	2		
5	549685	Bracket, Adductor L Extension	2		
6	549686	PPM, Adductor Pad 8 x 4	1		
7	549687	PPM, Adductor Pad 10 x 4	1		
8	549688	PPM, Adductor Pad 12 x 4	1		
9	549689	PPM, Adductor Pad 14 x 4	1		
1-5,6	549690	Kit, Adductor Pad 8 x 4 Complete	1		
1-5,7	549691	Kit, Adductor Pad 10 x 4 Complete	1		
1-5,8	549692	Kit, Adductor Pad 12 x 4 Complete	1		
1-5,9	549693	Kit, Adductor Pad 14 x 4 Complete	1		



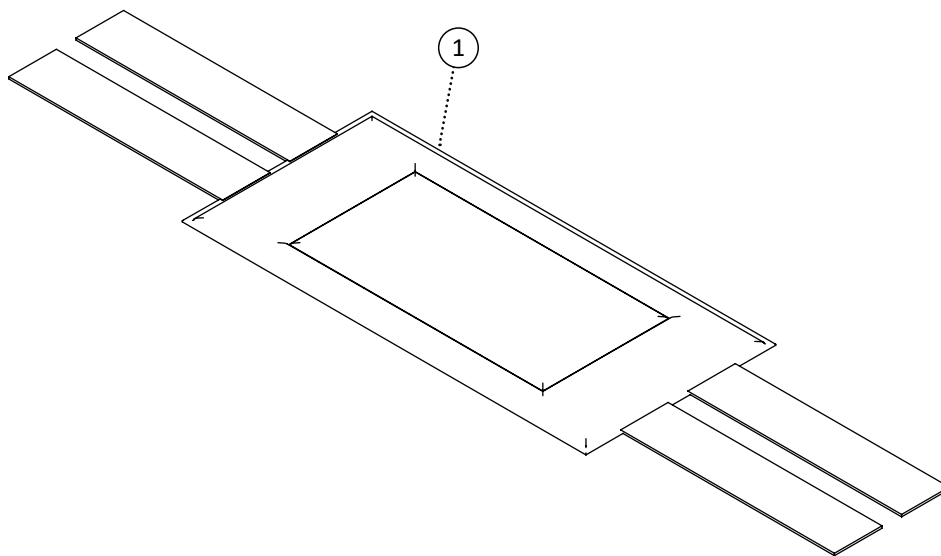


Item	REF Number	Description	Quantity	MSRP	Notes
1	549382	Screw, Truss Head 1/4-20 x 3/4	2		
2	549694	Clamp, P-Clip	2		
3	549686	PPM, Adductor Pad 8 x 4	1		
4	549687	PPM, Adductor Pad 10 x 4	1		
5	549688	PPM, Adductor Pad 12 x 4	1		
6	549689	PPM, Adductor Pad 14 x 4	1		
1-2,3	549690	Kit, Adductor Pad 8 x 4 Complete	1		
1-2,4	549691	Kit, Adductor Pad 10 x 4 Complete	1		
1-2,5	549692	Kit, Adductor Pad 12 x 4 Complete	1		
1-2,6	549693	Kit, Adductor Pad 14 x 4 Complete	1		

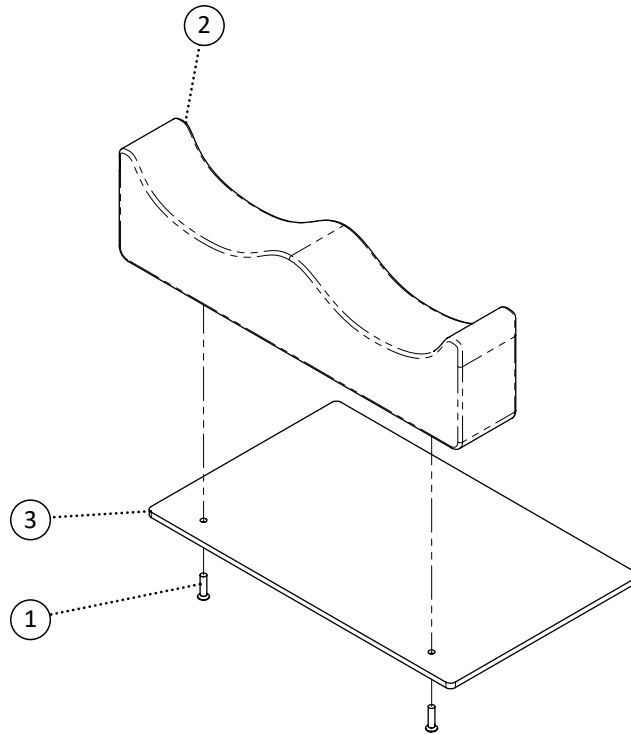


Item	REF Number	Description	Quantity	MSRP	Notes
1	549324	Screw, Flat Head 10-32 x 3/4	2		
2	549623	Washer, Cup Washer 10	2		
3	549830	Belt, 2 Point Auto-Style 16	1		
4	549831	Belt, 2 Point Auto-Style 18	1		
5	549832	Belt, 2 Point Auto-Style 20	1		
6	549833	Belt, 2 Point Auto-Style 22	1		
7	549834	Belt, 2 Point Auto-Style 24	1		
8	549835	Belt, 2 Point Auto-Style 26	1		
9	549836	Belt, 2 Point Auto-Style 28	1		
10	549837	Belt, 2 Point Auto-Style 30	1		
11	549838	Belt, 2 Point Auto-Style Padded 16	1		
12	549839	Belt, 2 Point Auto-Style Padded 18	1		
13	549840	Belt, 2 Point Auto-Style Padded 20	1		
14	549841	Belt, 2 Point Auto-Style Padded 22	1		
15	549842	Belt, 2 Point Auto-Style Padded 24	1		
16	549843	Belt, 2 Point Auto-Style Padded 26	1		
17	549844	Belt, 2 Point Auto-Style Padded 28	1		
18	549845	Belt, 2 Point Auto-Style Padded 30	1		
19	549846	Belt, 4 Point Auto-Style 16	1		

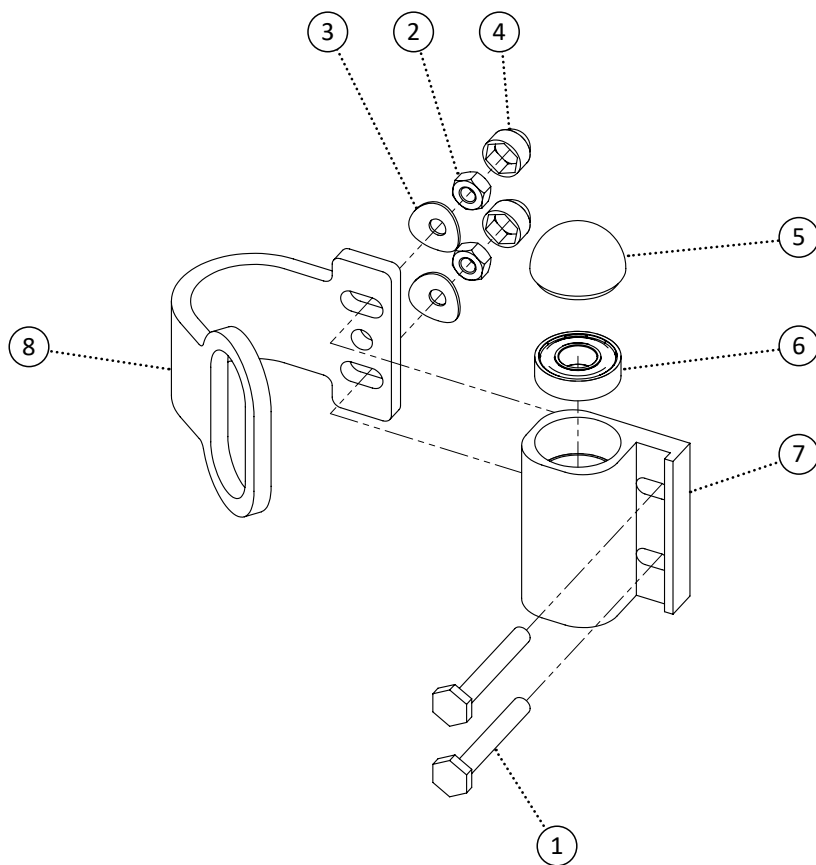
Item	REF Number	Description	Quantity	MSRP	Notes
20	549847	Belt, 4 Point Auto-Style 18	1		
21	549848	Belt, 4 Point Auto-Style 20	1		
22	549849	Belt, 4 Point Auto-Style 22	1		
23	549850	Belt, 4 Point Auto-Style 24	1		
24	549851	Belt, 4 Point Auto-Style 26	1		
25	549852	Belt, 4 Point Auto-Style 28	1		
26	549853	Belt, 4 Point Auto-Style 30	1		
27	549854	Belt, 4 Point Auto-Style Padded 16	1		
28	549855	Belt, 4 Point Auto-Style Padded 18	1		
29	549856	Belt, 4 Point Auto-Style Padded 20	1		
30	549857	Belt, 4 Point Auto-Style Padded 22	1		
31	549858	Belt, 4 Point Auto-Style Padded 24	1		
32	549859	Belt, 4 Point Auto-Style Padded 26	1		
33	549860	Belt, 4 Point Auto-Style Padded 28	1		
34	549861	Belt, 4 Point Auto-Style Padded 30	1		



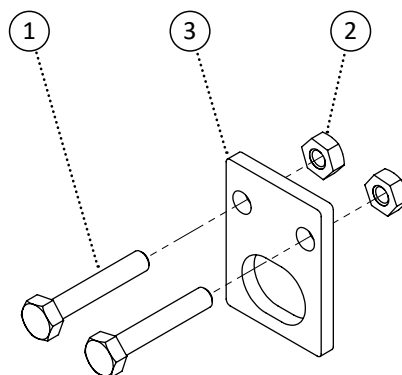
Item	REF Number	Description	Quantity	MSRP	Notes
1	549862	Strap, Nylon Leg Strap 16	1		
2	549863	Strap, Nylon Leg Strap 18	1		
3	549864	Strap, Nylon Leg Strap 20	1		
4	549865	Strap, Nylon Leg Strap 22	1		
5	549866	Strap, Nylon Leg Strap 24	1		
6	549867	Strap, Nylon Leg Strap 26	1		
7	549868	Strap, Nylon Leg Strap 28	1		
8	549869	Strap, Nylon Leg Strap 30	1		



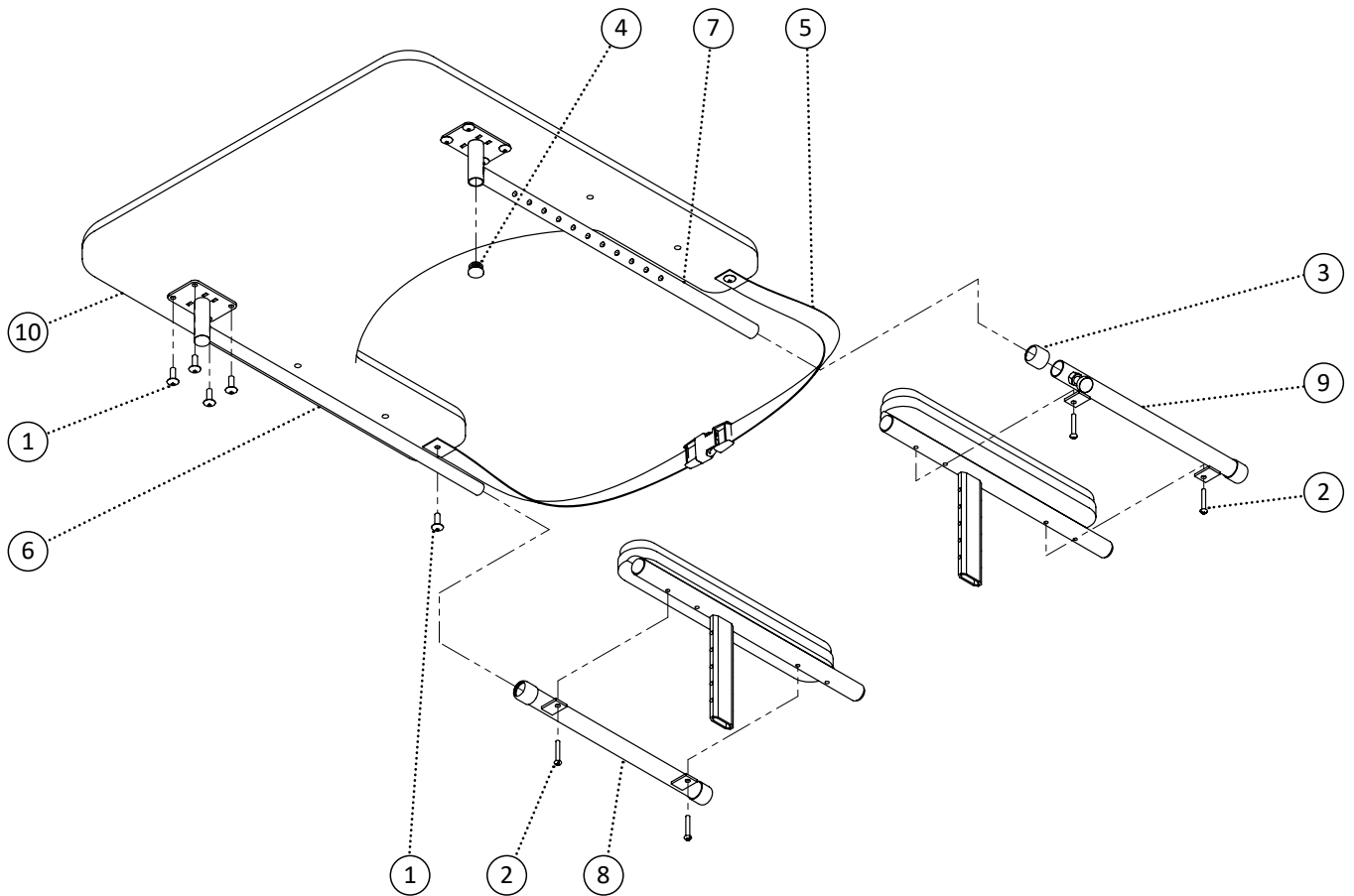
Item	REF Number	Description	Quantity	MSRP	Notes
1	549326	Screw, Hex Bolt 1/4-20 x 1	2		
2		See Form for Leg Channels	1		
3	549695	PPM, ABS Seat Pan Adductor 16 no Velcro	1		
4	549696	PPM, ABS Seat Pan Adductor 18 no Velcro	1		
5	549697	PPM, ABS Seat Pan Adductor 20 no Velcro	1		
6	549698	PPM, ABS Seat Pan Adductor 16 with Velcro	1		
7	549699	PPM, ABS Seat Pan Adductor 18 with Velcro	1		
8	549700	PPM, ABS Seat Pan Adductor 20 with Velcro	1		



Item	REF Number	Description	Quantity	MSRP	Notes
1	549347	Screw, Offset Bolt 1/4-28 x 2	2		
2	548861	Nut, Nylon Lock Nut 1/4-28	2		
3	549416	Washer, Curved Washer 1/4 ID. x 3/4 OD. x .04thk	2		
4	548480	Cap, 1/4 Nut Cap	2		
5	548490	Cap, Caster Mount Cap	1		
6	548400	Ball Bearing, Caster Mount	2		
7	548427	Bracket, Caster Mount	1		
8	549947	Bracket, Front Tie Down	1		
<b>1-8</b>	<b>549948</b>	<b>Kit, Tilt Chair Front Tie Down Complete</b>	<b>1</b>		

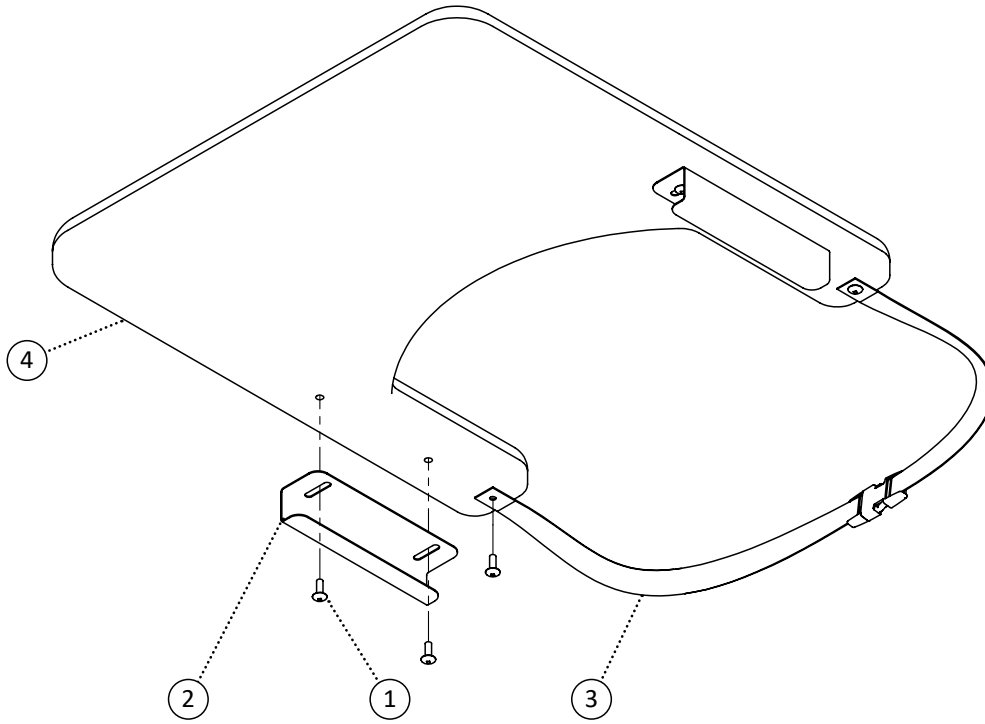


Item	REF Number	Description	Quantity	MSRP	Notes
1	549327	Screw, Hex Bolt 1/4-20 x 1-1/2	2		
2	548870	Nut, Nylon Lock Nut Thin 1/4-20	2		
3	549942	Bracket, Rear Tie Down	1		
<b>1-3</b>	<b>549946</b>	<b>Kit, Tilt Chair Rear Tie Down Complete</b>	<b>1</b>		

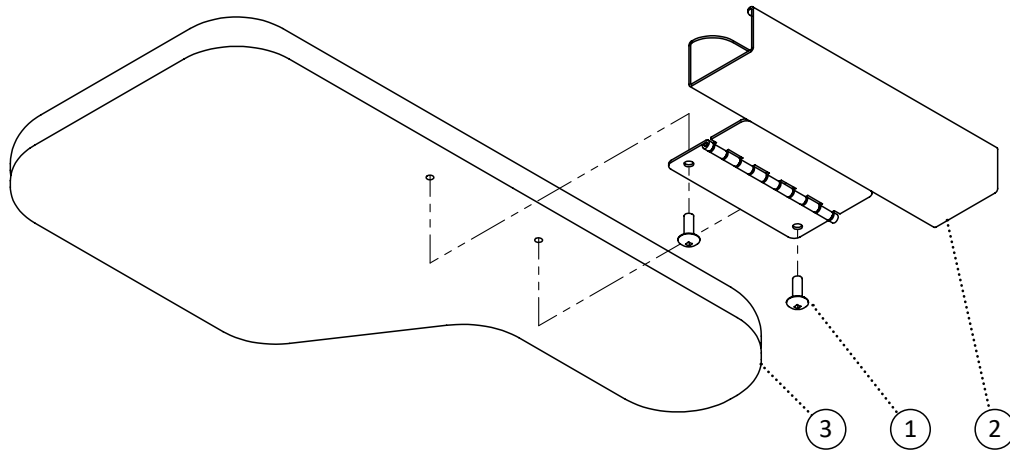


Item	REF Number	Description	Quantity	MSRP	Notes
1	549382	Screw, Truss Head 1/4-20 x 3/4	10		
2	549360	Screw, Round Head 10-24 x 1-1/4	4		
3	548499	Cap, Rubber Cap 7/8	4		
4	548481	Cap, 3/4 Round Plug	2		
5	549401	Strap, Plastic Strap Full Tray	1		
6	549087	PPM, Full Tray Tube	1		
7	549079	PPM, Full Locking Tray Tube	1		
8	549088	PPM, Full Tray Tube Receiver	1		
9	549080	PPM, Full Locking Tray Tube Receiver	1		
10	549082	PPM, Full Tray Padded	1		
11	549081	PPM, Full Tray Clear	1		
12	549083	PPM, Full Tray Plastic	1		
<b>1,4-7,10</b>	<b>548720</b>	<b>Kit, Full Tray Locking Padded</b>	<b>1</b>		
<b>1,4-7,11</b>	<b>548718</b>	<b>Kit, Full Tray Locking Clear</b>	<b>1</b>		
<b>1,4-7,12</b>	<b>548722</b>	<b>Kit, Full Tray Locking Plastic</b>	<b>1</b>		
<b>1-9,10</b>	<b>548721</b>	<b>Kit, Full Tray Locking Padded Complete</b>	<b>1</b>		
<b>1-9,11</b>	<b>548719</b>	<b>Kit, Full Tray Locking Clear Complete</b>	<b>1</b>		
<b>1-9,12</b>	<b>548723</b>	<b>Kit, Full Tray Locking Plastic Complete</b>	<b>1</b>		

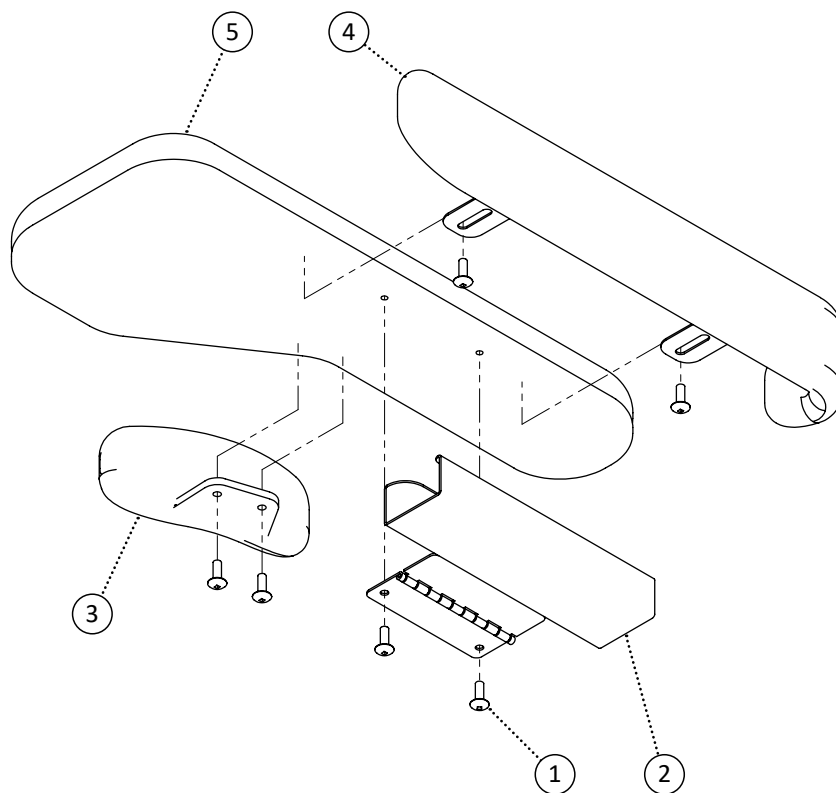




Item	REF Number	Description	Quantity	MSRP	Notes
1	549382	Screw, Truss Head 1/4-20 x 3/4	4		
2	548439	Bracket, Slide On Bracket	2		
3	549401	Strap, Plastic Strap Full Tray	1		
4	549085	PPM, Full Tray Slide On Padded	1		
5	549084	PPM, Full Tray Slide On Clear	1		
6	549086	PPM, Full Tray Slide On Plastic	1		
1-3,4	548725	Kit, Full Tray Slide On Padded Complete	1		
1-3,5	548724	Kit, Full Tray Slide On Clear Complete	1		
1-3,6	548726	Kit, Full Tray Slide On Plastic Complete	1		



Item	REF Number	Description	Quantity	MSRP	Notes
1	549382	Screw, Truss Head 1/4-20 x 3/4	2		
2	548440	Bracket, Slide On Swing Bracket	1		
3	549096	PPM, Half Tray Slide On Left Padded	1		
4	549099	PPM, Half Tray Slide On Right Padded	1		
5	549095	PPM, Half Tray Slide On Left Clear	1		
6	549098	PPM, Half Tray Slide On Right Clear	1		
7	549097	PPM, Half Tray Slide On Left Plastic	1		
8	549100	PPM, Half Tray Slide On Right Plastic	1		
<b>1,2,3</b>	<b>548735</b>	<b>Kit, Half Tray Slide On Left Padded Complete</b>	<b>1</b>		
<b>1,2,4</b>	<b>548738</b>	<b>Kit, Half Tray Slide On Right Padded Complete</b>	<b>1</b>		
<b>1,2,5</b>	<b>548734</b>	<b>Kit, Half Tray Slide On Left Clear Complete</b>	<b>1</b>		
<b>1,2,6</b>	<b>548737</b>	<b>Kit, Half Tray Slide On Right Clear Complete</b>	<b>1</b>		
<b>1,2,7</b>	<b>548736</b>	<b>Kit, Half Tray Slide On Left Plastic Complete</b>	<b>1</b>		
<b>1,2,8</b>	<b>548739</b>	<b>Kit, Half Tray Slide On Right Plastic Complete</b>	<b>1</b>		



Item	REF Number	Description	Quantity	MSRP	Notes
1	549382	Screw, Truss Head 1/4-20 x 3/4	6		
2	548440	Bracket, Slide On Swing Bracket	1		
3	549101	PPM, Hand Guard	1		
4	548935	PPM, Arm Guard	1		
5	549096	PPM, Half Tray Slide On Left Padded	1		
6	549099	PPM, Half Tray Slide On Right Padded	1		
7	549095	PPM, Half Tray Slide On Left Clear	1		
8	549098	PPM, Half Tray Slide On Right Clear	1		
9	549097	PPM, Half Tray Slide On Left Plastic	1		
10	549100	PPM, Half Tray Slide On Right Plastic	1		
1-4,5	548735	Kit, Half Tray Slide On Left Padded Complete	1		
1-4,6	548738	Kit, Half Tray Slide On Right Padded Complete	1		
1-4,7	548734	Kit, Half Tray Slide On Left Clear Complete	1		
1-4,8	548737	Kit, Half Tray Slide On Right Clear Complete	1		
1-4,9	548736	Kit, Half Tray Slide On Left Plastic Complete	1		
1-4,10	548739	Kit, Half Tray Slide On Right Plastic Complete	1		

# REFERENCE INDEX

548384 30	548463 46, 47	548540 49	548631 84
548385 30	548465 46, 47	548541 49	548632 84
548386 30	548466 104	548545 33	548633 84
548387 30	548467 100	548546 51	548634 84
548388 30	548468 82, 83, 84	548547 100	548635 84
548389 30	548471 33	548548 100	548636 84
548390 30	548473 87	548549 51	548637 84
548391 30	548474 87	548550 100	548638 84
548392 30	548477 90	548551 100	548639 84
548393 98	548478 6, 8	548552 92	548640 83
548394 98	548479 56, 57, 58, 60, 68, 69,	548553 100	548641 83
548395 98	70, 71	548554 100	548642 83
548396 98	548480 18, 35, 41, 43, 46, 47,	548555 62	548643 83
548397 98	51, 64, 65, 66, 106, 118	548556 62	548644 83
548399 100, 102, 103	548481 51, 120	548557 62	548645 83
548400 106, 118	548482 59	548558 62	548646 83
548401 104	548483 22, 23, 24, 26	548559 62	548647 83
548402 104	548484 95	548560 62	548648 83
548404 92, 93	548485 94	548563 62	548649 82
548406 6, 8, 31	548486 95	548564 73, 74, 75	548650 82
548410 56, 57	548487 94	548565 72, 76, 77	548683 105
548411 46, 47	548488 33	548566 105	548684 105
548412 56, 57	548490 106, 118	548567 105	548685 105
548413 78	548491 33, 35	548568 105	548686 105
548414 88	548493 10, 12, 14	548569 105	548687 105
548415 79	548494 33	548570 105	548688 105
548417 22, 23, 24, 26	548495 35	548571 105	548689 105
548419 105	548496 14, 41, 43, 48	548572 105	548690 105
548420 105	548497 29, 92	548573 105	548705 37
548421 105	548499 120	548574 105	548706 37
548422 105	548503 51, 86, 87, 90	548575 105	548707 41
548423 105	548504 51, 87, 90	548576 105	548708 37
548424 105	548505 18, 94, 96, 108, 109	548577 105	548709 41
548425 105	548506 81	548579 94	548710 41
548426 105	548507 81	548580 94	548711 37
548427 106, 118	548509 110	548581 94	548712 37
548435 64, 66	548510 45	548582 94	548716 35
548437 110	548514 86	548598 78	548717 35
548438 110	548516 86, 88	548599 78	548718 120
548439 121	548517 86, 88	548601 79	548719 120
548440 122, 123	548519 33, 35, 37, 41, 44	548607 23	548720 120
548441 10, 12, 14	548520 39, 43	548608 23	548721 120
548442 63	548521 18, 33, 35, 37, 39, 41,	548609 22	548722 120
548443 63	43, 44	548610 22	548723 120
548444 63	548522 18, 33, 35, 37, 39, 41,	548618 43	548724 121
548446 94	43, 44	548619 43	548725 121
548447 94	548523 18, 33, 35	548620 43	548726 121
548448 94	548524 35	548621 43	548734 122, 123
548449 94	548526 44	548622 43	548735 122, 123
548450 96	548532 72, 73, 74, 75, 76, 77	548623 39	548736 122, 123
548452 95	548533 39, 43	548624 39	548737 122, 123
548453 95	548534 49	548625 39	548738 122, 123
548454 95	548535 49	548626 39	548739 122, 123
548455 95	548536 49	548627 98	548740 64
548457 100, 102	548537 49	548628 98	548742 108
548458 24, 26	548538 49	548629 98	548743 109
548459 33	548539 49	548630 81	548754 57

548756	110	44	548953	83	549145	72, 75, 76	
548757	51	548854	98	548954	83	549146	72, 75, 76
548758	35	548855	22, 23, 24, 26	548955	83	549147	72, 75, 76
548759	35	548856	86, 88	548956	83	549148	73, 74, 77
548760	51	548857	104	548957	83	549179	14
548761	35	548859	6, 8, 10, 12, 14, 18, 31,	548958	82	549180	14
548762	35		33, 35, 37, 39, 41, 43, 44,	548959	82	549181	14
548763	51		46, 47, 51, 63, 64, 65, 66,	548989	94	549182	14
548764	35		78, 79, 88, 92, 93, 96, 97	548990	94	549183	14
548765	35	548861	106, 118	548991	94	549184	14
548766	51	548862	6, 8, 10, 12, 14, 78, 79,	549078	47	549185	15
548767	35		86, 88, 104	549079	120	549186	15
548768	35	548864	6, 8	549080	120	549187	15
548770	48	548866	18, 33, 35, 37, 39, 41,	549081	120	549188	15
548771	48		43, 44, 110	549082	120	549189	15
548774	44	548868	33	549083	120	549190	15
548775	44	548870	6, 8, 10, 12, 14, 33, 35,	549084	121	549191	15
548778	47		37, 39, 41, 43, 44, 48, 51,	549085	121	549192	15
548779	46		68, 69, 70, 71, 78, 79, 88,	549086	121	549193	15
548783	97		97, 119	549087	120	549194	15
548786	93	548872	48, 80	549088	120	549195	15
548787	73	548875	104	549095	122, 123	549196	15
548788	77	548876	46, 47	549096	122, 123	549197	15
548789	74	548877	72, 73, 74, 75, 76, 77	549097	122, 123	549198	15
548790	75	548879	6, 8, 51	549098	122, 123	549199	15
548791	75	548881	45	549099	122, 123	549200	15
548792	75	548883	93	549100	122, 123	549201	15
548793	75	548884	33	549101	123	549202	15
548794	75	548885	48	549104	56, 57, 60	549203	15
548795	72	548887	48	549105	56, 57, 60	549204	12
548796	72	548889	46, 47	549106	108, 109	549205	12
548797	72	548890	33	549107	108	549206	12
548798	72	548893	97	549108	109	549207	12
548799	72	548894	97	549116	51	549208	12
548800	76	548895	58	549117	35	549209	12
548801	76	548896	58, 60	549118	35	549210	12
548802	76	548897	59	549119	51	549211	13
548803	76	548898	59	549120	35	549212	13
548804	76	548929	92	549121	35	549213	13
548820	95	548930	22	549122	51	549214	13
548821	95	548933	23	549123	35	549215	13
548822	95	548934	79	549124	35	549216	13
548823	95	548935	123	549125	51	549217	13
548824	90	548936	29	549126	35	549218	13
548825	87	548937	29	549127	35	549219	13
548826	87	548938	29	549128	48	549220	13
548827	97	548939	29	549129	48	549221	13
548829	86	548940	29	549130	43	549222	13
548830	63	548941	29	549131	43	549223	13
548831	58	548942	29	549132	41	549224	13
548832	59	548943	51	549133	41	549225	13
548840	56, 57	548944	39, 43	549134	39	549226	13
548841	58, 59, 60, 68, 69, 70,	548945	39, 43	549135	33	549227	13
	71	548946	84	549136	33	549228	13
548842	108, 109	548947	84	549137	33	549229	10
548843	56, 57	548948	84	549138	33	549230	10
548844	63, 64, 65, 66	548949	84	549139	46	549231	10
548846	110	548950	84	549142	73, 74, 77	549232	10
548849	86	548951	84	549143	72, 75, 76	549233	10
548852	33, 35, 37, 39, 41, 43,	548952	83	549144	72, 75, 76	549234	10

549235 10  
549236 6  
549237 6  
549238 7  
549239 7  
549240 7  
549241 7  
549242 7  
549243 7  
549244 7  
549245 7  
549246 7  
549247 7  
549248 7  
549249 7  
549250 7  
549251 7  
549252 7  
549253 7  
549254 7  
549255 7  
549256 7  
549257 7  
549258 7  
549259 7  
549260 7  
549261 8  
549262 8  
549263 9  
549264 9  
549265 9  
549266 9  
549267 9  
549268 9  
549269 9  
549270 9  
549271 9  
549272 9  
549273 9  
549274 9  
549275 9  
549276 9  
549277 9  
549278 9  
549279 9  
549280 9  
549281 9  
549282 9  
549283 9  
549284 9  
549285 9  
549286 57  
549293 22  
549294 26  
549295 24  
549296 23  
549297 33  
549298 33  
549299 33  
549300 33

549305 51  
549306 51  
549307 56  
549308 56  
549309 65  
549310 65  
549311 22, 23, 24, 26  
549317 92, 93  
549322 104  
549323 39, 43  
549324 6, 8, 16, 51, 114  
549325 18, 33, 35, 37, 39, 41,  
43, 44  
549326 64, 65, 117  
549327 10, 12, 14, 18, 33, 35,  
37, 39, 41, 43, 44, 51,  
97, 119  
549329 6, 8, 51  
549330 39, 43, 66, 78, 88  
549331 79  
549333 88, 92, 93  
549335 6, 8, 31  
549336 96  
549339 6, 8, 10, 12, 14, 79, 86,  
88  
549340 78  
549341 10, 12, 14, 86  
549342 104  
549343 104  
549344 6, 8  
549346 106  
549347 118  
549348 63  
549350 103  
549351 46, 47  
549353 46, 47  
549354 33, 35, 44  
549355 22, 23, 24, 26  
549356 22, 23, 24, 26  
549357 33, 35, 37, 39, 41, 43,  
44  
549358 72, 73, 74, 75, 76, 77  
549360 29, 120  
549361 72, 73, 74, 75, 76, 77  
549362 41, 43  
549363 41, 43  
549367 56, 57  
549369 63  
549372 39, 43  
549373 56, 57, 60, 71  
549376 110  
549377 110  
549378 33  
549379 24, 26  
549380 95  
549382 45, 52, 54, 58, 59, 68,  
69, 70, 71, 111, 112, 113,  
120, 121, 122, 123  
549384 110  
549385 86

549386 22, 23, 24, 26  
549387 56, 57  
549388 46, 47  
549389 10, 12, 14, 86, 88, 104  
549390 64, 65, 66  
549391 88  
549392 39, 43, 51, 88  
549393 86  
549394 6, 8, 10, 12, 14  
549395 86, 88  
549396 22, 23, 24, 26  
549398 46, 47  
549399 33  
549400 33, 35, 37, 39, 41, 43,  
44  
549401 120, 121  
549409 51, 72, 73, 74, 75, 76,  
77, 87, 90  
549413 33, 35  
549414 10, 12, 14  
549416 106, 118  
549417 106  
549418 6, 8, 51  
549419 110  
549420 110  
549423 6, 8, 31, 51, 64, 65, 66,  
78, 79, 88, 100, 103  
549425 78, 79  
549427 98  
549428 10, 12, 14, 51, 79, 97  
549430 6, 8, 39, 43, 51, 79, 86,  
88  
549432 6, 8  
549433 79  
549434 18, 33, 79  
549435 35  
549436 37, 39, 41, 43, 44  
549438 78  
549439 56, 57, 60, 71  
549440 56, 57, 60, 71  
549471 105  
549472 105  
549473 105  
549474 105  
549475 105  
549476 105  
549477 105  
549478 105  
549479 105  
549480 105  
549481 105  
549482 105  
549484 11  
549485 11  
549486 11  
549487 11  
549488 11  
549489 11  
549490 11  
549491 11

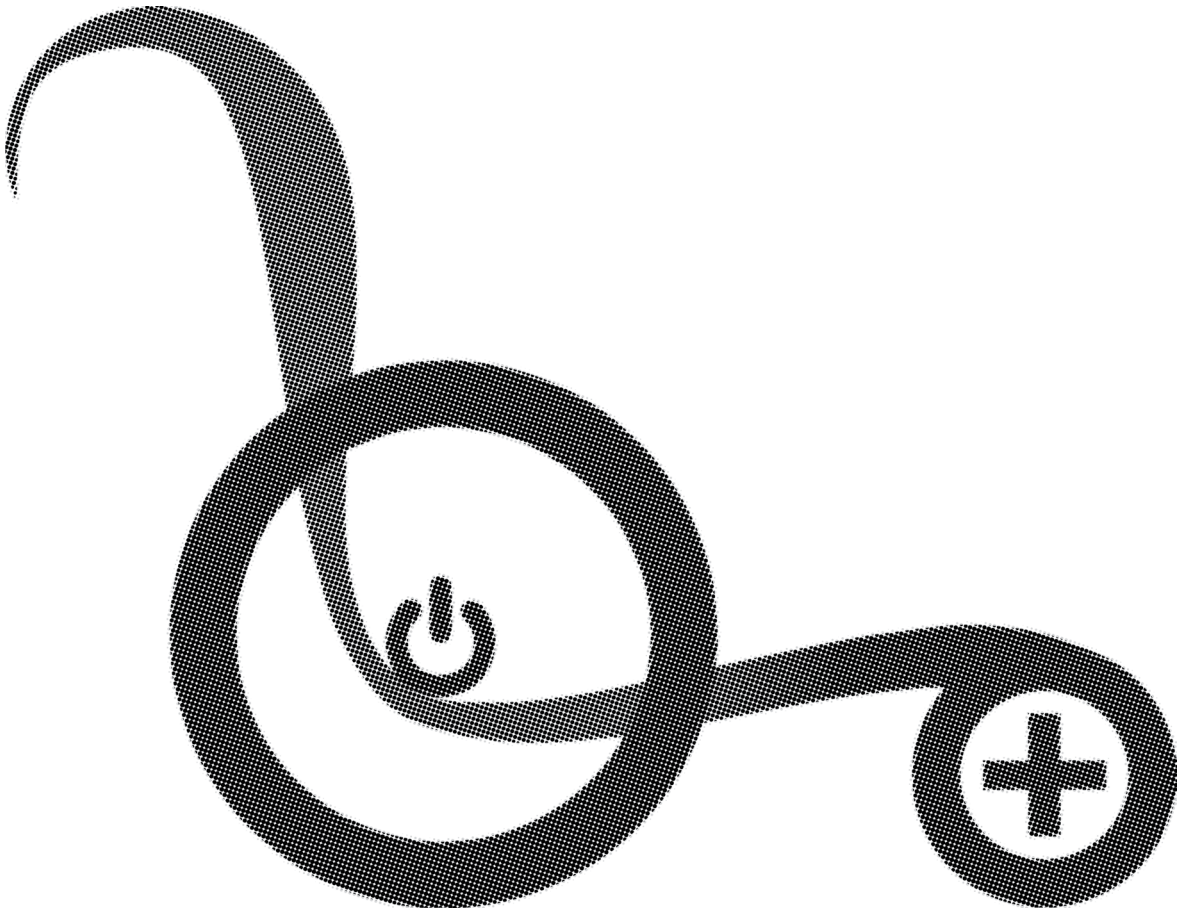
549492 11  
549493 11  
549494 11  
549495 11  
549496 11  
549497 11  
549498 11  
549499 11  
549500 11  
549501 11  
549502 100, 102  
549503 100  
549504 100  
549505 100  
549506 100  
549507 100  
549508 100  
549509 100  
549510 101  
549511 101  
549512 101  
549513 101  
549514 101  
549515 101  
549516 101  
549517 101  
549518 101  
549519 101  
549520 101  
549521 101  
549522 101  
549523 101  
549524 101  
549525 101  
549526 101  
549527 101  
549528 101  
549529 101  
549530 101  
549531 101  
549532 101  
549533 101  
549534 101  
549535 101  
549536 101  
549537 102  
549538 102  
549539 102  
549540 102  
549541 102  
549542 102  
549543 102  
549544 102  
549545 102  
549546 102  
549547 102  
549548 102  
549549 102  
549550 103  
549551 103

549552	103	549689	112, 113	549749	16	549809	54
549553	103	549690	112, 113	549750	16	549810	54
549554	103	549691	112, 113	549751	16	549811	54
549555	106	549692	112, 113	549752	16	549812	54
549594	35, 41, 43	549693	112, 113	549753	16	549813	54
549595	35, 41, 43	549694	111, 113	549754	17	549814	54
549623	114	549695	117	549755	17	549815	54, 71
549636	29	549696	117	549756	17	549816	54, 71
549637	29	549697	117	549757	17	549817	54, 71
549638	29	549698	117	549758	17	549818	55
549639	29	549699	117	549759	17	549819	55
549640	29	549700	117	549760	17	549820	55
549641	29	549701	70	549761	17	549821	55
549642	29	549702	68, 69, 70, 71	549762	17	549822	55
549643	29	549703	68, 69, 70, 71	549763	17	549823	55
549644	29	549704	68	549764	17	549824	55
549645	29	549705	68	549765	17	549825	55
549646	29	549706	68	549766	17	549826	55
549647	29	549707	68	549767	17	549827	55
549648	29	549708	68, 69, 70, 71	549768	17	549828	55
549649	29	549709	68, 69, 70, 71	549769	17	549829	55
549650	24	549710	69	549770	17	549830	114
549651	24	549711	69	549771	17	549831	114
549652	24	549712	69	549772	17	549832	114
549653	24	549713	69	549773	17	549833	114
549654	24	549714	69	549774	17	549834	114
549655	24	549715	70	549775	17	549835	114
549656	24	549716	70	549776	52, 54	549836	114
549657	25	549717	70	549777	52, 54	549837	114
549658	25	549718	70	549778	52, 54	549838	114
549659	25	549719	71	549779	52, 54	549839	114
549660	25	549720	71	549780	52, 54	549840	114
549661	25	549721	71	549781	52, 54	549841	114
549662	25	549722	71	549782	52	549842	114
549663	25	549723	71	549783	52	549843	114
549664	25	549724	68	549784	52	549844	114
549665	25	549725	80	549785	52	549845	114
549666	26	549726	80	549786	52	549846	114
549667	26	549727	80	549787	52	549847	115
549668	26	549728	80	549788	52	549848	115
549669	26	549729	80	549789	52	549849	115
549670	26	549730	80	549790	52	549850	115
549671	26	549731	18	549791	52	549851	115
549672	26	549732	18	549792	52	549852	115
549673	27	549733	18	549793	52	549853	115
549674	27	549734	18	549794	53	549854	115
549675	27	549735	18	549795	53	549855	115
549676	27	549736	16	549796	53	549856	115
549677	27	549737	16	549797	53	549857	115
549678	27	549738	16	549798	53	549858	115
549679	27	549739	16	549799	53	549859	115
549680	27	549740	16	549800	53	549860	115
549681	27	549741	16	549801	53	549861	115
549682	112	549742	16	549802	53	549862	116
549683	112	549743	16	549803	53	549863	116
549684	112	549744	16	549804	53	549864	116
549685	112	549745	16	549805	53	549865	116
549686	112, 113	549746	16	549806	54	549866	116
549687	112, 113	549747	16	549807	54	549867	116
549688	112, 113	549748	16	549808	54	549868	116

549869 116  
549870 20  
549871 20  
549872 20  
549873 20  
549874 20  
549875 20  
549876 20  
549877 20  
549878 20  
549879 20  
549880 20  
549881 20  
549882 20  
549883 20  
549884 20  
549885 20  
549886 20  
549887 20  
549888 20  
549889 20  
549890 20  
549891 20  
549892 21  
549893 21  
549894 21  
549895 21  
549896 21  
549897 21  
549898 21  
549899 21  
549900 21  
549901 21  
549902 21  
549903 21  
549904 21  
549905 21  
549906 21  
549907 21  
549908 21  
549909 21  
549910 21  
549911 21  
549912 21  
549913 21  
549914 21  
549915 21  
549916 21  
549917 21  
549918 21  
549919 21  
549920 21  
549921 21  
549922 21  
549923 21  
549924 21  
549925 21  
549926 21  
549927 21  
549928 21

549929 21  
549930 21  
549931 21  
549932 21  
549933 21  
549934 111  
549935 111  
549936 111  
549937 111  
549938 111  
549939 111  
549940 111  
549941 111  
549942 119  
549946 119  
549947 118  
549948 118  
549949 88  
549950 88  
549951 88  
549952 89  
549953 89  
549954 89  
549955 89  
549956 89  
549957 89  
549958 89  
549959 89  
549960 89  
549961 89  
549962 89  
549963 89  
549964 89  
549965 89  
549966 89  
549985 96  
549986 96  
549987 96  
549988 96  
549989 96  
549990 96  
549999 101  
550000 101  
550001 101  
550002 100  
550003 101  
550004 101  
550005 101  
550006 101  
550007 101  
550008 101  
550077 66  
550078 66  
550079 66  
550080 66  
550081 66  
550082 66  
550119 31  
550120 60





STP



**POWERPLUSMOBILITY.COM**

50 Malcolm Road | Guelph, ON | Canada N1K 1A9  
Telephone (519)-763-9976 | Fax (519)-837-1832