

PARTS MANUAL

FUTURE MOBILITY HEALTHCARE APPRECIATES YOUR BUSINESS.
OUR CUSTOMER SERVICE REPRESENTATIVES CAN BE CONTACTED AT:

**TO PLACE ORDERS:
(905) 671-1661**

FOR YOUR CONVENIENCE YOU MAY ALSO PLACE ORDERS BY FAX AT:

FAX: (905) 671-3377

PLEASE VISIT OUR WEBSITE AT:

www.futuremobility.ca

*Part prices and configurations included in this Parts Manual are subject to change without prior notice.

* All prices are shown as per unit individual price.

Contents

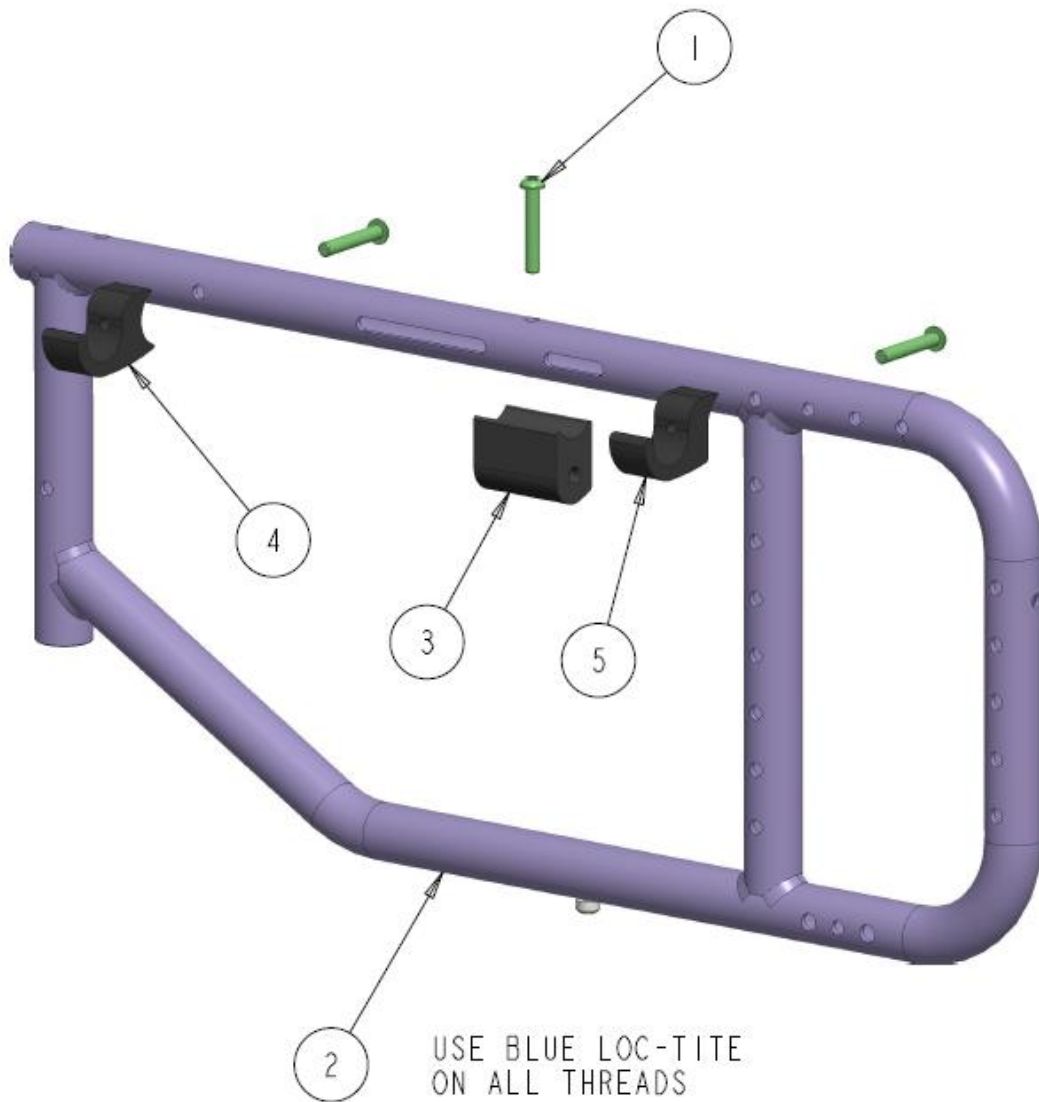
FRAMES AND CROSSBRACE.....	7
STELLATO II SIDE FRAME (INSIDE RAIL).....	7
STELLATO II SIDE FRAME (OVER RAIL)	9
OVAL CROSS BRACE (INSIDE RAIL).....	11
OVAL X-BRACE ASS'Y RT/LT GEN (INSIDE RAIL).....	13
INSIDE RAIL X-BRACE SET-UP CHART.....	15
OVAL X-BRACE ASS'Y RT/LT GEN (OVER RAIL)	18
OVER RAIL X-BRACE SET-UP CHART	20
BACK CANE MOUNTS.....	21
UPGRADED BACK CANE FIXED MOUNT BRACKETS-1.00 ROUND TUBE.....	21
UPGRADED BACK CANE FLIPDOWN MOUNT BRACKETS -1.00 ROUND TUBE ..	23
PADDLE FIXED BACKCANE BRACKET- SUB ASSEMBLY (1.00 DIA TUBE).....	25
PADDLE FLIP-DOWN BACKCANE BRACKET-SUB ASSEMBLY (1.00 DIA TUBE) ...	27
UPGRADED STANDARD PUSH CANE	29
UPGRADED PUSH CANE CABLE TRIGGER MOUNT	31
BASIC BACK CANE FIXED MOUNTING BRACKETS - 1.00 ROUND TUBE	33
BASIC BACK CANE FLIPDOWN MOUNTING BRACKETS - 1.00 ROUND TUBE	35
BASIC FLIPDOWN PUSH CANE	37
SEAT SLING.....	39
STELLATO II SEAT SLING WITH RODS, 14" - 22" WIDE (EVEN SIZES).....	39
BACK SLING.....	41
STELLATO II SLING BACK HARDWARE ASS'Y, 14" - 22" WIDE.....	41
STELLATO II ADJUSTABLE TENSION BACK HARDWARE ASS'Y	43
REAR WHEELS AND MOUNTS.....	45
STELLATO II REAR WHEEL MOUNT FIXED ASS'Y	45
STELLATO II REAR WHEEL MOUNT QUICK RELEASE	47
CASTERS AND FORKS	49
STELLATO II FRONT CASTER MOUNT - STANDARD ASS'Y.....	49
STELLATO II FRONT CASTER MOUNT – PLUS 1" ASS'Y	51
STELLATO II FRONT CASTER MOUNT – PLUS 2" ASS'Y	53
STELLATO II STF CHART	55
TIE-DOWNS.....	57
STELLATO II FRONT AND REAR TIE-DOWNS	57

ARMS.....	59
STELLATO II T-STYLE ARM MOUNT ASS'Y (SIMPLE).....	59
STELLATO II FLIP-BACK ARM MOUNT ASS'Y (SIMPLE).....	61
STELLATO II T-STYLE ARM MOUNT ASS'Y (PLASTIC 3-POINT BASE)	63
STELLATO II FLIP-BACK ARM MOUNT ASS'Y (PLASTIC 3-POINT BASE) -SIMPLE BACKCANE.....	65
STELLATO II FLIP-BACK ARM MOUNT ASS'Y (PLASTIC 3-POINT BASE) -PADDLE BACKCANE.....	67
STELLATO II T-STYLE ARM MOUNT ASS'Y (PLASTIC 2-POINT BASE)	69
STELLATO II FLIP-BACK ARM MOUNT ASS'Y (PLASTIC 2-POINT BASE) -SIMPLE BACKCANE.....	71
STELLATO II FLIP-BACK ARM MOUNT ASS'Y (PLASTIC 2-POINT BASE) -PADDLE BACKCANE.....	73
STELLATO II FLIP-BACK ARM MOUNT ASS'Y (PLASTIC BASE) – UNDER LEVER ..	75
FMH STANDARD ARMREST TOP GENERAL ASSEMBLY	77
BASIC MID ARMREST ASS'Y RT- T-STYLE (PUSH RELEASE)	79
BASIC MID ARMREST ASS'Y RT- FLIPBACK (PUSH RELEASE)	81
BASIC MID ARMREST ASS'Y RT – T-STYLE (3-POINT PLASTIC RECEIVER)	83
BASIC MID ARMREST ASS'Y RT–FLIPBACK (3-POINT PLASTIC RECEIVER)	85
BASIC MID ARMREST ASS'Y RT - T-STYLE (2-POINT PLASTIC RECEIVER)	87
BASIC MID ARMREST ASS'Y RT–FLIPBACK (2-POINT PLASTIC RECEIVER)	89
MID ARMREST FLIP-BACK - UNDER LEVER	91
MID ARMREST ASS' T-STYLE - UNDER LEVER.....	93
ARMPADS	95
ALL ARMPADS	95
SWING-AWAY LEGREST	97
STELLATO II SWING-AWAY HANGER MOUNT ASS'Y (PIN STYLE)	97
STELLATO II SWING-AWAY U-BOLT HANGER MOUNT ASS'Y.....	99
STELLATO II U-BOLT HANGER ASS'Y	101
STELLATO II SWING-AWAY HANGER MOUNT (LOC BACK SIMPLE)	103
STELLATO II 1.25 INLINE HANGER SHORT ASS'Y.....	105
STELLATO II SWING-AWAY HANGER MOUNT (LOC BACK RING)	107
STELLATO II 1.25 RT OFFSET LEGREST HANGER ASS'Y	109
STELLATO II SWING-AWAY HANGER MOUNT (UMPUTEE)	111
FOOTREST STEM AND PLATE	113

ELEVATING LEGREST	115
STELLATO II SWING-AWAY ELEVATING LEGREST U-BOLT ASS'Y.....	115
STELLATO II ELEVATING LEGREST HANGER U-BOLT ASS'Y	117
WHEEL LOCKS.....	119
STELLATO II SLIDE-ON WHEEL LOCKS MOUNTING	119
STELLATO II BERNER UNILATERAL PUSH WHEEL LOCK ASS'Y.....	121
STELLATO II BERNER ATTENDANT WHEEL LOCK ASS'Y (FOOT PEDAL)	123
STELLATO II BERNER ATTENDANT WHEEL LOCK ASS'Y (WHEEL LOCKS)	125
ANTI-TIPS.....	127
STELLATO II SIMPLE ANTI-TIP MOUNTED.....	127
SIMPLE ANTI-TIP WITH EXTENSION ASS'Y	129
QUICK FLIP ANTI-TIP PLUS ASS'Y	131
ACCESSORIES	133
VELCRO RELEASE POSITIONING BELT	133
STELLATO II I.V POLE MOUNTED ASS'Y	135

FRAMES AND CROSSBRACE

STELLATO II SIDE FRAME (INSIDE RAIL)



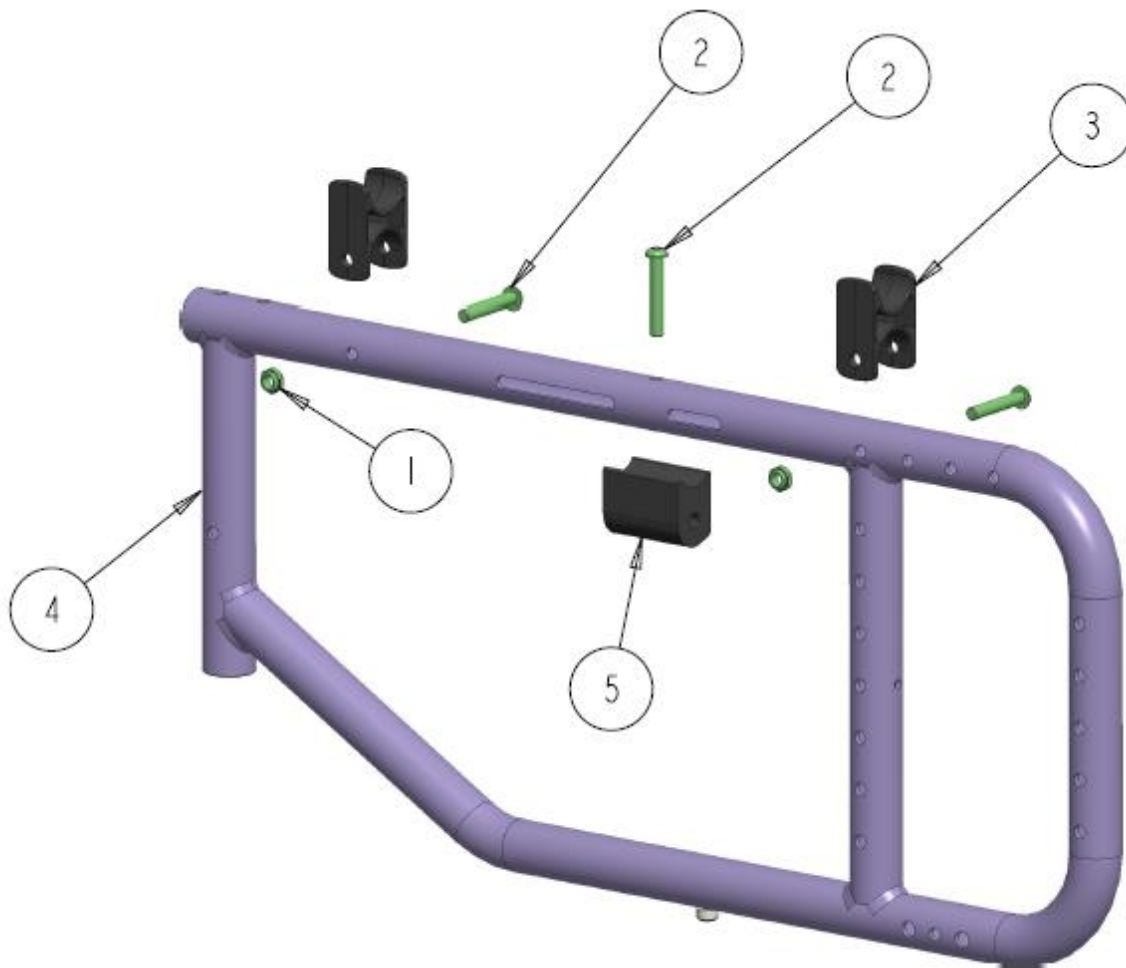
STELLATO II SIDE FRAME (INSIDE RAIL) - TABLE

ITEM	QTY	NOTES	PART NO.	DESCRIPTION	PRICE/ PER UNIT
1	3		1000493	SCREW, SOCKET HEAD BUTTON 1/4-20 X 1.50	\$3.00
2	1		1036749	STELLATO II, SIDE FRAME, RT 16-22"	\$325.00
	1		1036852	STELLATO II, SIDE FRAME, LT 16-22"	\$325.00
3	1		1037511	STELLATO II CROSS LINKS BLOCK	\$52.00
4	1		1037523	INSIDE RAIL SUPPORT FRONT	\$28.00
5	1		1037528	INSIDE RAIL SUPPORT REAR	\$34.00
	1	A	1038702	KIT, COMPLETE SIDE FRAME - IR - RT (ITEMS 1-5)	\$430.00
	1	A	1038703	KIT, COMPLETE SIDE FRAME - IR - LT (ITEMS 1-5)	\$430.00

NOTES:

A. SPECIFY SEAT DEPTH AND COLOR WHEN ORDERING

STELLATO II SIDE FRAME (OVER RAIL)



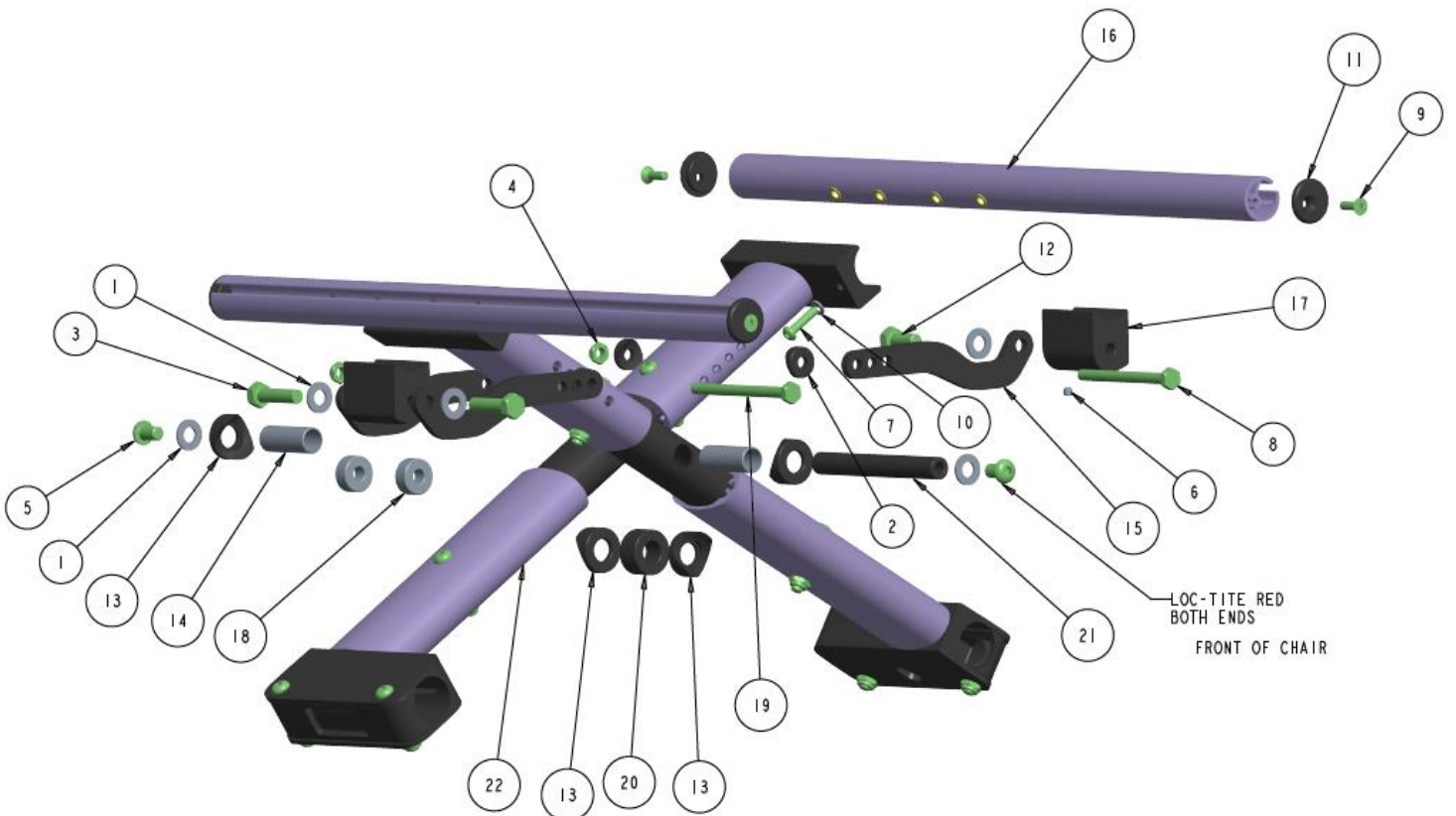
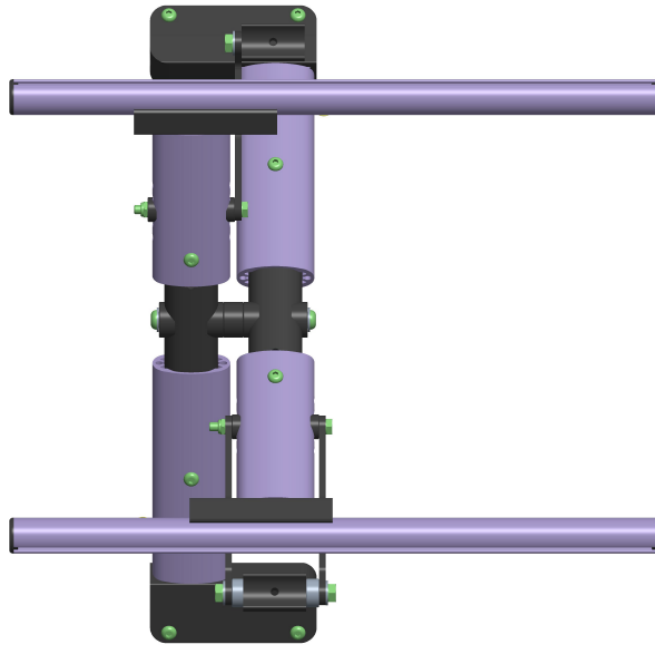
STELLATO II SIDE FRAME (OVER RAIL) - TABLE

ITEM	QTY	NOTES	PART NO.	DESCRIPTION	PRICE/ PER UNIT
1	2		1000397	NUT, HEX-NYLOCK THIN, 1/4-20NC	\$2.00
2	3		1000493	SCREW, SOCKET HEAD BUTTON 1/4-20 X 1.50	\$3.00
3	2		1001624	CROSS BRACE SADDLE SUPPORT	\$5.00
4	1		1036749	STELLATO II, SIDE FRAME, RT 16-22"	\$325.00
	1		1036852	STELLATO II, SIDE FRAME, LT 16-22"	\$325.00
5	1		1037511	STELLATO II CROSS LINKS BLOCK	\$52.00
	1	A	1038704	KIT, COMPLETE SIDE FRAME - OR - RT (ITEMS 1-5)	\$370.00
	1	A	1038705	KIT, COMPLETE SIDE FRAME - OR - LT (ITEMS 1-5)	\$370.00

NOTES:

A. SPECIFY SEAT DEPTH AND COLOR WHEN ORDERING

OVAL CROSS BRACE (INSIDE RAIL)



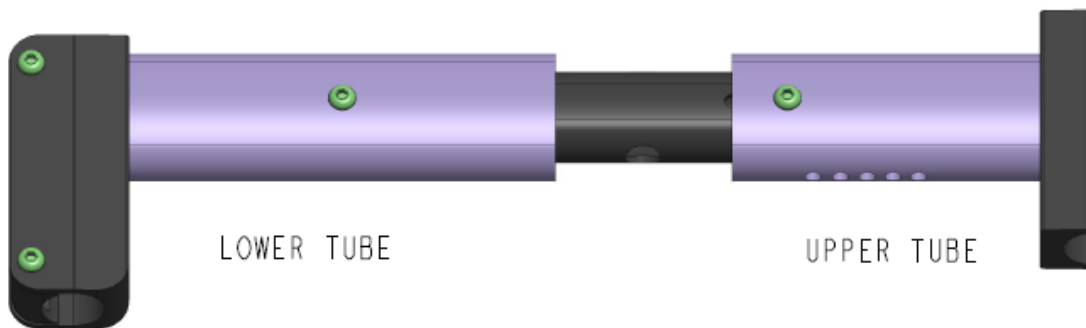
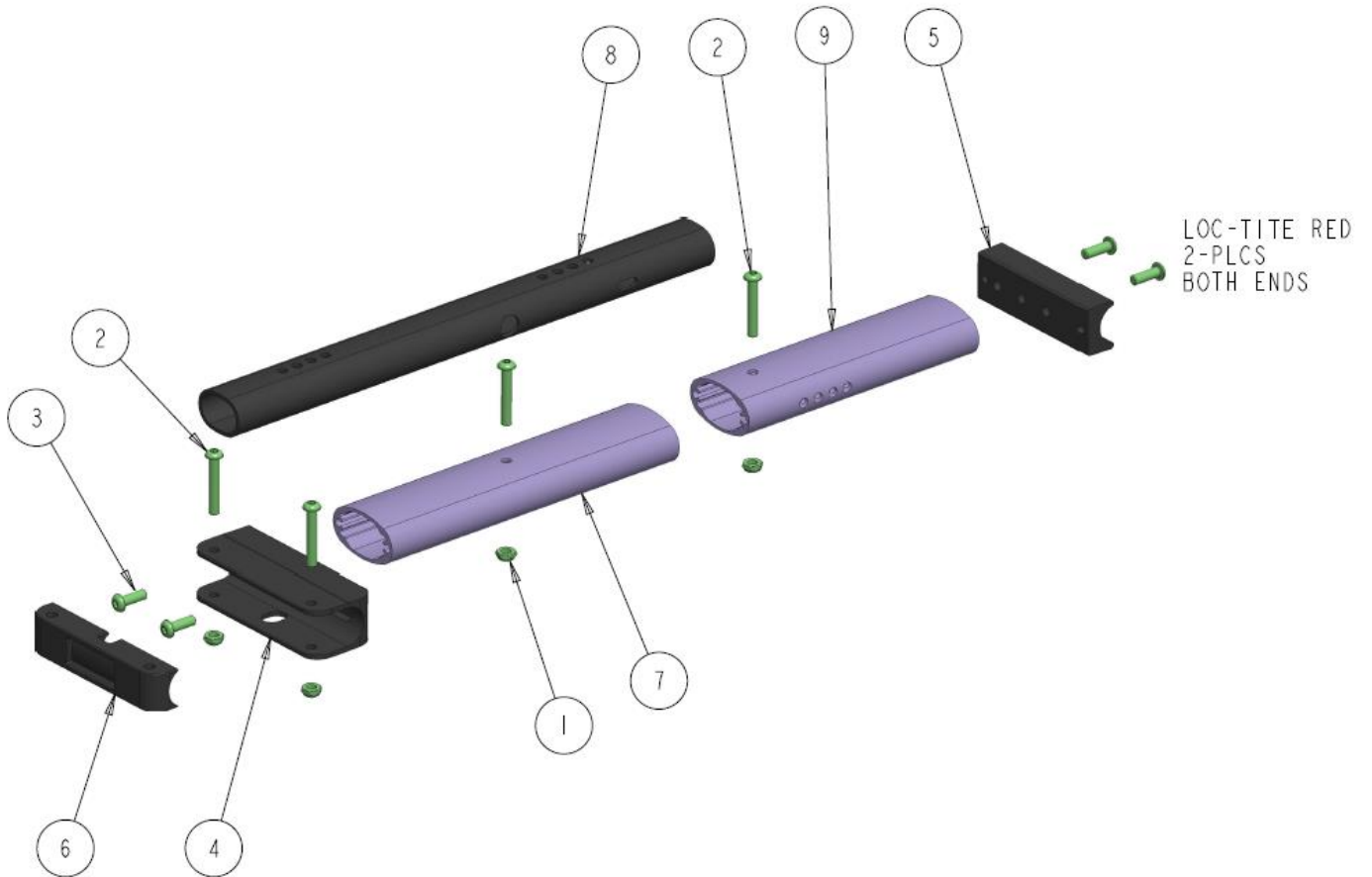
**OVAL INSID
E CROSS BRACE (INSIDE RAIL) - TABLE**

ITEM	QTY	NOTES	PART NO.	DESCRIPTION	PRICE/ PER UNIT
1	5		1000008	WASHER FLAT 11/16 OD, 11/32 ID, 11/16 THK, BLK	\$1.50
2	4		1000113	COVED SPACER 1" TUBE 1/4"	\$3.50
3	2		1000375	HEX BOLT .312 X 1.25	\$4.00
4	2		1000397	NUT, HEX-NYLOCK THIN, 1/4-20NC	\$2.00
5	2		1000413	SCREW, SOCKET HEAD BUTTON 5/16-18 X 0.5	\$3.75
6	4		1001214	SCREW, SET, CUP POINT #10-32NF X 3/16	\$3.00
7	4		1001866	SCREW, SOCKET HEAD BUTTON, #10-32NF X 7/8	\$3.00
8	1		1002403	BOLT, HEX HEAD, 1/4-20NC X 3	\$3.00
9	4		1004167	SCREW FLATHEAD #10-32 X 5/8	\$3.00
10	4		1029584	WASHER FLAT #10 ID .200 OD .375 THK.050	\$1.50
11	4		1033506	X-BRACE RAIL END PLUG	\$2.00
12	1		1036155	HEX BOLT .312 X 0.75	\$3.00
13	4		1036728	CROSSBRACE PIVOT COVED SPACER	\$24.00
14	2		1036729	CROSSBRACE PIVOT INSERT	\$15.00
15	3		1037194	CLAMP X-BRACE LINK, 14-16" WIDTH	\$38.00
	3		1037195	CLAMP X-BRACE LINK, 17-19" WIDTH	\$38.00
	3		1037196	CLAMP X-BRACE LINK, 20-22" WIDTH	\$38.00
16	2	A	1037497	X-BRACE SEAT RAIL WITH INSERT GEN	\$72.00
17	2		1037511	STELLATO II CROSS LINKS BLOCK	\$52.00
18	2		1037512	SPACER DISK - X BRACE	\$2.00
19	1		1037513	BOLT, HEX HEAD, 1/4-20NC X 3 1/4	\$4.00
20	1		1037515	CROSSBRACE PIVOT SPACER	\$3.50
21	1		1037516	CROSSBRACE PIVOT INSERT ROD	\$18.00
22	2	B	1037555	STELLATO II INSIDE CROSS BRACE ASSY (14-18")	\$185.00
	2	B	1037551	STELLATO II INSIDE CROSS BRACE ASSY (19-22")	\$185.00
	1	C	1038706	KIT, COMPLETE X-BRACE ASSEMBLY (IR)	\$850.00

NOTES:

- A- SPECIFY SEAT DEPTH WHEN ORDERING**
- B- PARTS BREAKDOWN FOUND WITHIN THIS SECTION**
- C- SPECIFY WIDTH AND DEPTH AND COLOR WHEN ORDERING – SEE
STELLATO II FOR COLORS**

OVAL X-BRACE ASSY RT/LT GEN (INSIDE RAIL)



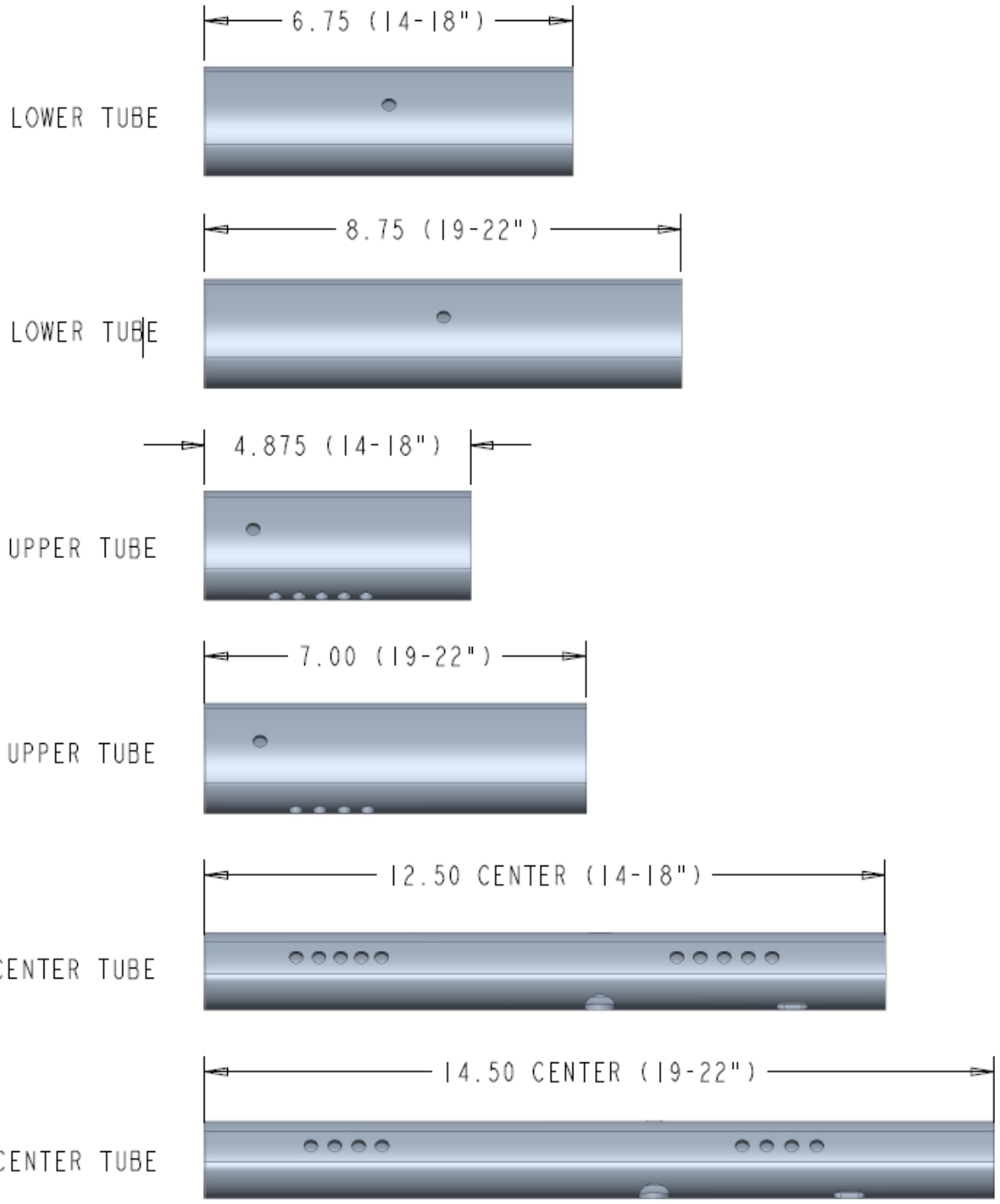
INSIDE OVAL, X-BRACE ASS'Y RT/LT GEN - TABLE

ITEM	QTY	NOTES	PART NO.	DESCRIPTION	PRICE/ PER UNIT
1	4		1000397	NUT, HEX-NYLOCK THIN, 1/4-20NC	\$2.00
2	4		1000493	SCREW, SOCKET HEAD BUTTON 1/4-20 X 1.50	\$3.00
3	4		1001391	SCREW, SOCKET HEAD BUTTON, 1/4-20NC X 3/4	\$3.00
4	1		1037490	X-BRACE LOWER U-BRACKET 1.00	\$38.00
5	1		1037491	X-BRACE UPPER U-BRACKET	\$28.00
6	1		1037495	SADDLE BUSHING 1.00 CROSSBRACE	\$20.00
7	1		1037564	INSIDE X-BRACE END TUBE (14-18") LOWER	\$18.00
	1		1037565	INSIDE X-BRACE END TUBE (19-22") LOWER	\$18.00
8	1		1037567	INSIDE X-BRACE CENTER TUBE (14-18" WIDE)	\$48.00
	1		1037568	INSIDE X-BRACE CENTER TUBE (19-22" WIDE)	\$48.00
9	1		1037569	INSIDE X-BRACE END TUBE (14-18") UPPER	\$22.00
	1		1037570	INSIDE X-BRACE END TUBE (19-22") UPPER	\$22.00
	1	A	1038707	KIT, COMPLETE X-BRACE ASSEMBLY RT/LT (IR)	\$180.00

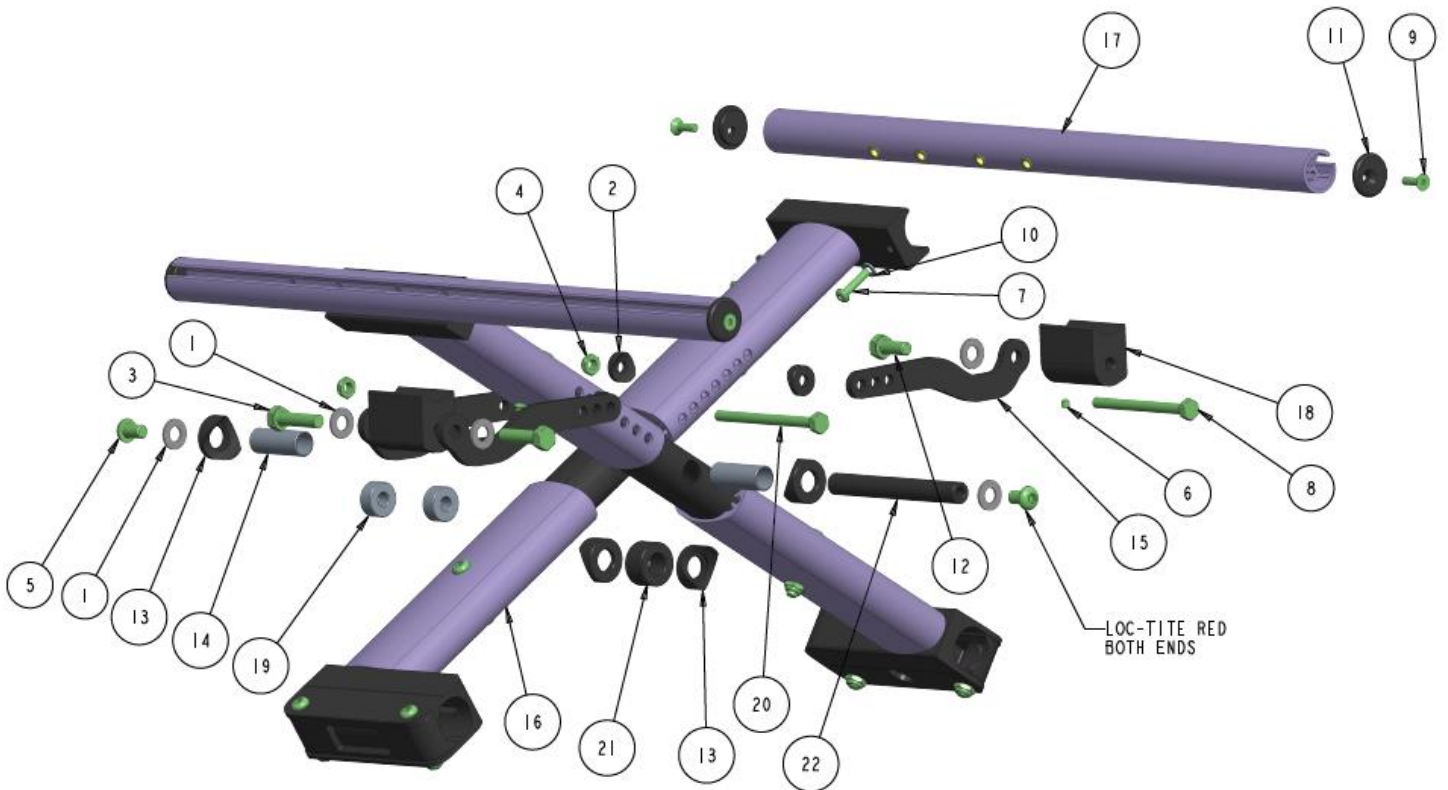
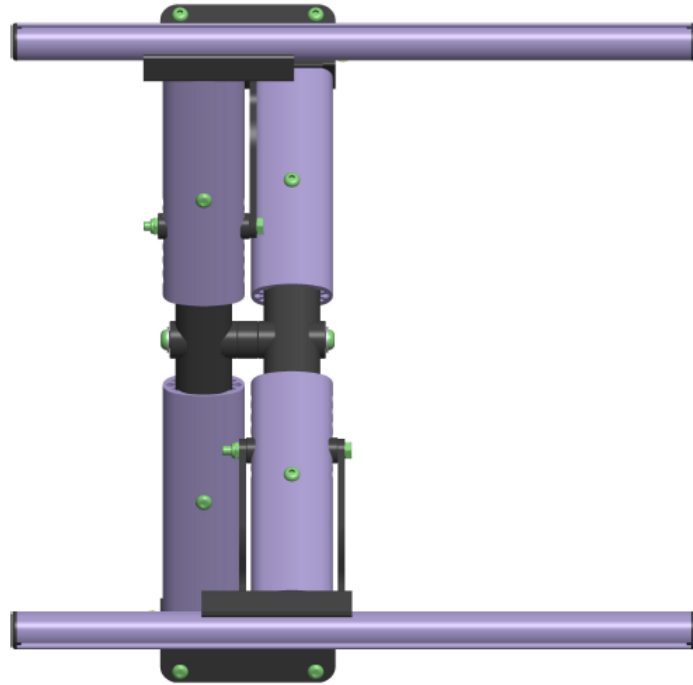
NOTES:

- A. SPECIFY COLOR WHEN ORDERING – SEE STELLATO II FOR COLORS
SPECIFY THE WIDTH SIZE WHILE ORDERING A KIT.**

INSIDE RAIL X-BRACE SET-UP CHART



OVAL CROSS BRACE (OVER RAIL)



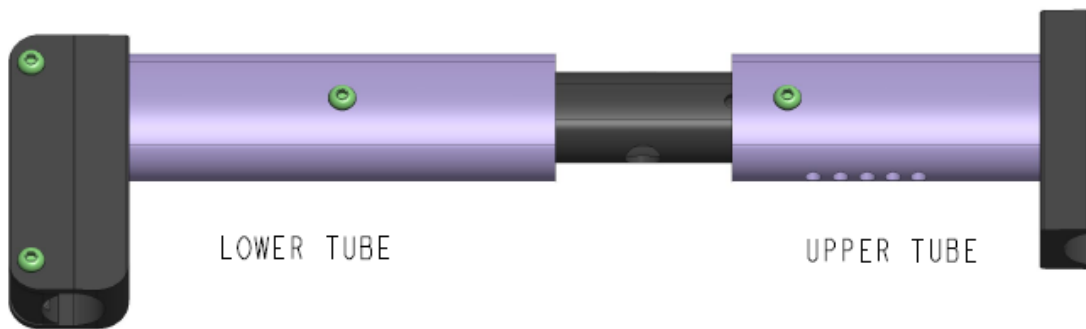
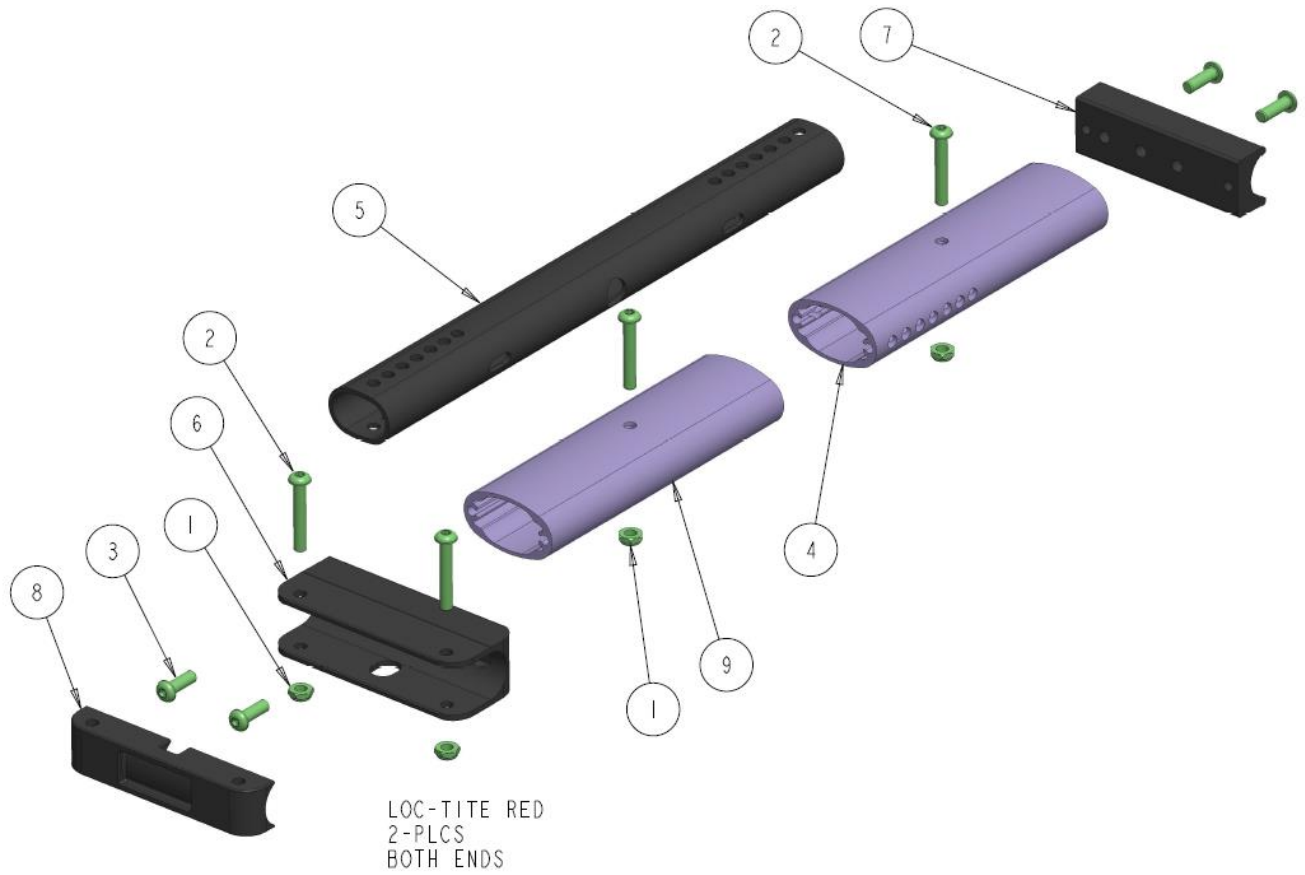
OVAL INSIDE CROSS BRACE (OVER RAIL) - TABLE

ITEM	QTY	NOTES	PART NO.	DESCRIPTION	PRICE/ PER UNIT
1	5		1000008	WASHER FLAT 5/16 X 11/16 OD 1/16 THK BLK	\$1.50
2	4		1000113	COVED SPACER 1.00" TUBE 1/4"	\$3.50
3	2		1000375	HEX BOLT .312 X 1.25	\$4.00
4	2		1000397	NUT, HEX-NYLOCK THIN, 1/4-20NC	\$2.00
5	2		1000413	SCREW, SOCKET HEAD BUTTON 5/16-18 X 0.5	\$3.75
6	4		1001214	SCREW, SET, CUP POINT #10-32NF X 3/16	\$3.00
7	4		1001866	SCREW, SOCKET HEAD BUTTON, #10-32NF X 7/8	\$3.00
8	1		1002403	BOLT, HEX HEAD, 1/4-20NC X 3	\$3.00
9	4		1004167	SCREW FLATHEAD #10-32 X 5/8	\$3.00
10	4		1029584	WASHER FLAT #10 ID .200 OD .375 THK.050	\$1.50
11	4		1033506	X-BRACE RAIL END PLUG	\$2.00
12	1		1036155	HEX BOLT .312 X 0.75	\$3.00
13	4		1036728	CROSSBRACE PIVOT COVED SPACER	\$24.00
14	2		1036729	CROSSBRACE PIVOT INSERT	\$15.00
15	3		1037197	CLAMP X-BRACE LINK, 14-16" WIDTH	\$38.00
	3		1037198	STELLATO II OVER RAIL X-BRACE LINK, 17-19"	\$38.00
	3		1037199	STELLATO II OVER RAIL X-BRACE LINK, 20-22"	\$38.00
	3		1037765	STELLATO II OVER RAIL X-BRACE LINK, 24"	\$38.00
16	2	A	1037529	STELLATO II OVER CROSS BRACE ASSY (TELESCOPE) (14-20")	\$185.00
	2	A	1037534	STELLATO II OVER CROSS BRACE ASSY (TELESCOPE) (21-22")	\$185.00
17	2	B	1037497	X-BRACE SEAT RAIL WITH INSERT GEN	\$72.00
18	2		1037511	STELLATO II CROSS LINKS BLOCK	\$52.00
19	2		1037512	SPACER DISK - X BRACE	\$2.00
20	1		1037513	BOLT, HEX HEAD, 1/4-20NC X 3 1/4	\$4.00
21	1		1037515	CROSSBRACE PIVOT SPACER	\$3.50
22	1		1037516	CROSSBRACE PIVOT INSERT ROD	\$18.00
	1	C	1038708	KIT, COMPLETE X-BRACE ASSEMBLY (OR)	\$850.00

NOTES:

- A. PARTS BREAKDOWN FOUND WITHIN THIS SECTION**
- B. SPECIFY SEAT DEPTH WHEN ORDERING**
- C. SPECIFY WIDTH AND DEPTH AND COLOR WHEN ORDERING – SEE STELLATO II FOR COLORS**

OVAL X-BRACE ASSY RT/LT GEN (OVER RAIL)



OVER OVAL, X-BRACE ASS'Y RT/LT GEN - TABLE

ITEM	QTY	NOTES	PART NO.	DESCRIPTION	PRICE/ PER UNIT
1	4		1000397	NUT, HEX-NYLOCK THIN, 1/4-20NC	\$2.00
2	4		1000493	SCREW, SOCKET HEAD BUTTON 1/4-20 X 1.50	\$3.00
3	4		1001391	SCREW, SOCKET HEAD BUTTON, 1/4-20NC X 3/4	\$3.00
4	1		1037485	OVAL X-BRACE END TUBE (14-20") UPPER	\$22.00
	2		1037521	OVAL X-BRACE END TUBE (21-22")	\$22.00
5	1		1037486	OVAL X-BRACE CENTER TUBE (14-20" WIDE)	\$48.00
	1		1037488	OVAL X-BRACE CENTER TUBE (21-22" WIDE)	\$48.00
6	1		1037490	X-BRACE LOWER U-BRACKET 1.00	\$38.00
7	1		1037491	X-BRACE UPPER U-BRACKET	\$28.00
8	1		1037495	SADDLE BUSHING 1.00 CROSSBRACE	\$20.00
9	1		1038234	OVAL X-BRACE END TUBE (14-20") LOWER	\$18.00
	1	A	1038709	KIT, COMPLETE X-BRACE ASSEMBLY RT/LT (OR)	\$180.00

NOTES:

- A. SPECIFY COLOR WHEN ORDERING – SEE STELLATO II FOR COLORS
SPECIFY THE WIDTH SIZE WHILE ORDERING A KIT.**

OVER RAIL X-BRACE SET-UP CHART



UPPER/ LOWER TUBE

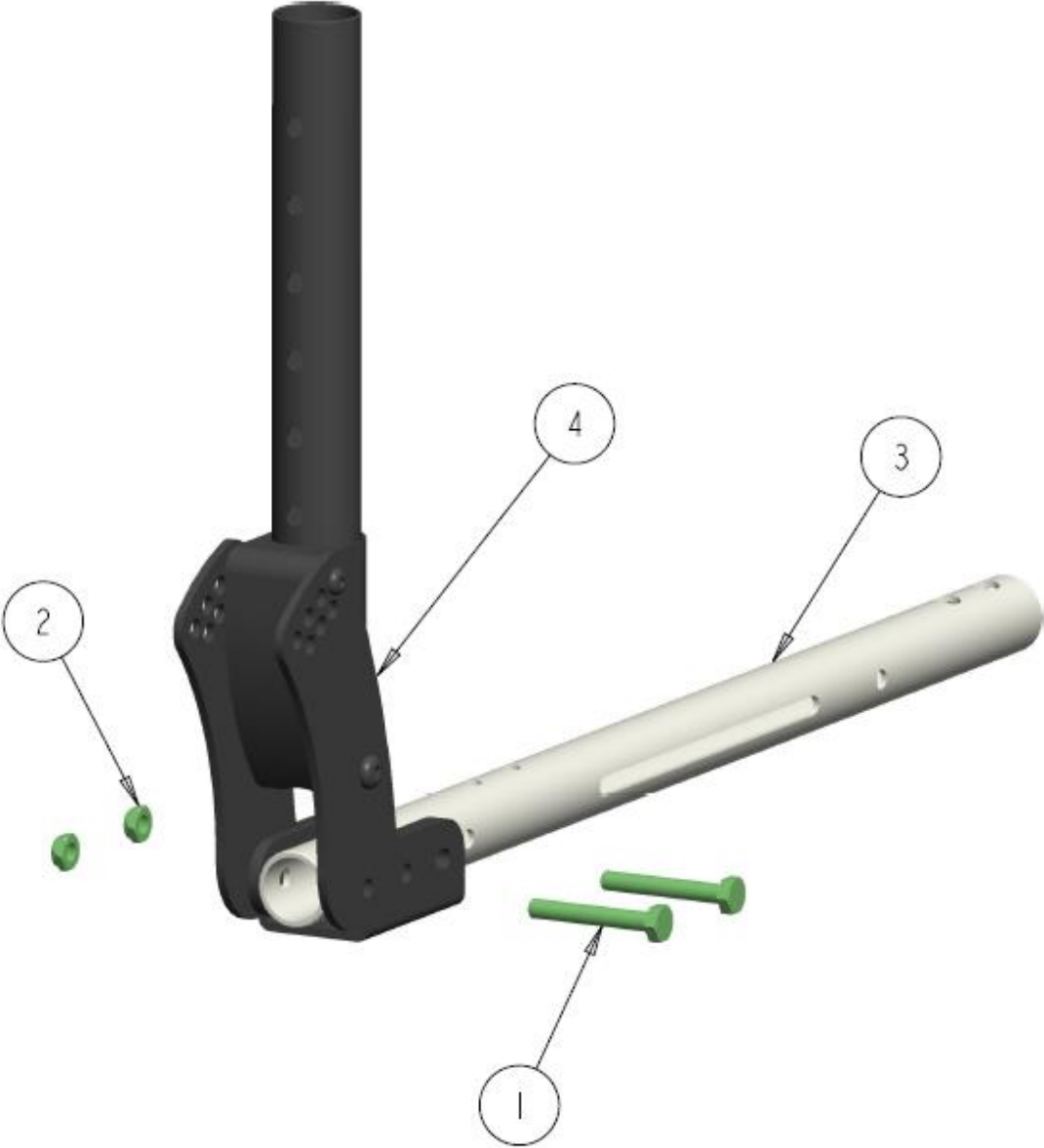


UPPER/ LOWER TUBE



BACK CANE MOUNTS

UPGRADED BACK CANE FIXED MOUNT BRACKETS-1.00 ROUND TUBE



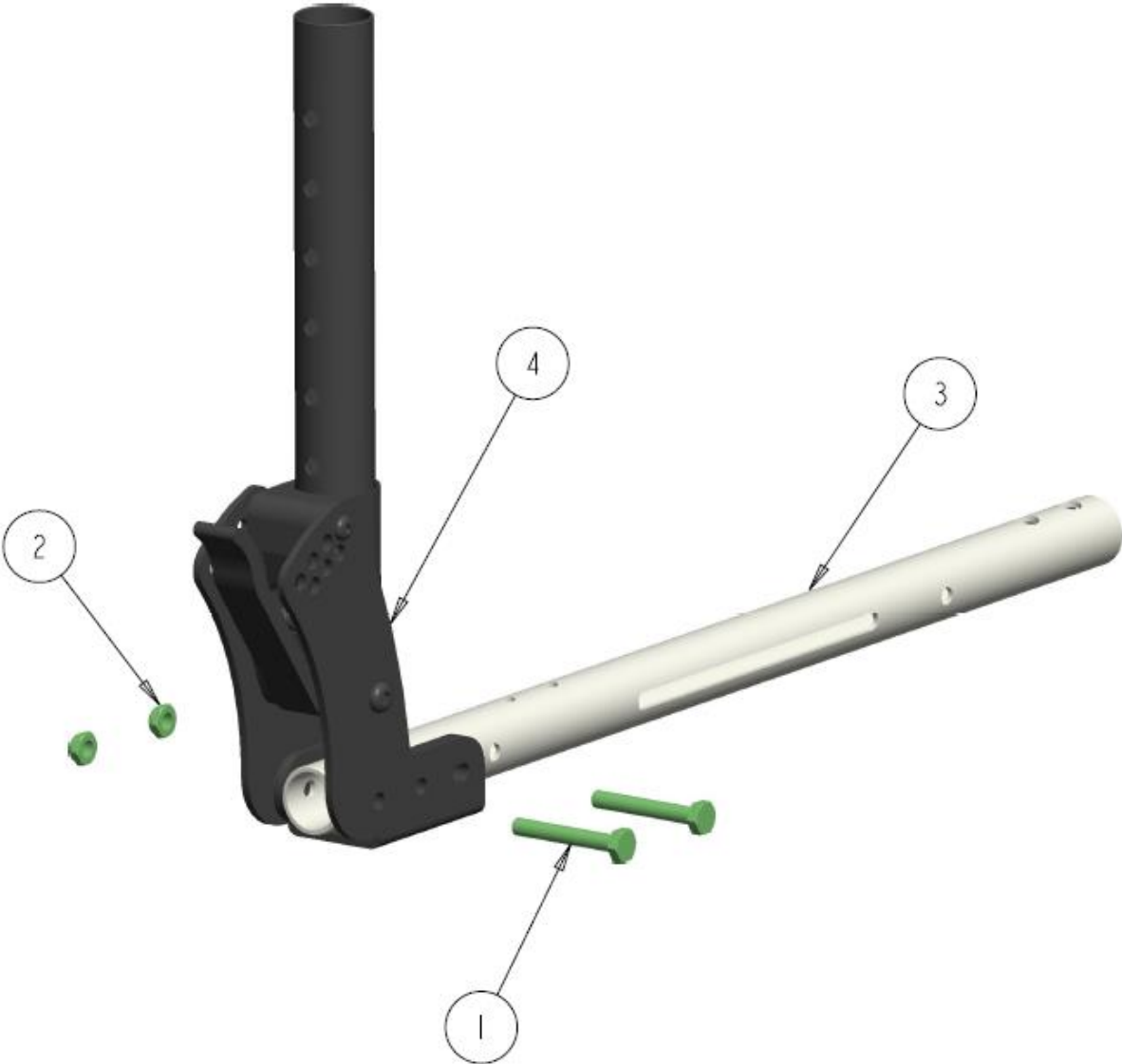
UPGRADED BACK CANE FIXED MOUNT BRACKETS-1.00 ROUND TUBE- TABLE

ITEM	QTY	NOTES	PART NO.	DESCRIPTION	PRICE/ PER UNIT
1	2		1000012	BOLT, HEX HEAD, 1/4-20NC X 1 3/4	\$3.00
2	2		1000397	NUT, HEX-NYLOCK THIN, 1/4-20NC	\$2.00
3	1		REF	SIDE TUBE, SEAT FRAME SIMPLE ARM	REF
4	1	A	1036844	PADDLE FIXED BACKCANE BRACKET	\$310.00

NOTES:

A. PARTS BREAKDOWN FOUND WITHIN THIS SECTION.

UPGRADED BACK CANE FLIPDOWN MOUNT BRACKETS -1.00 ROUND TUBE



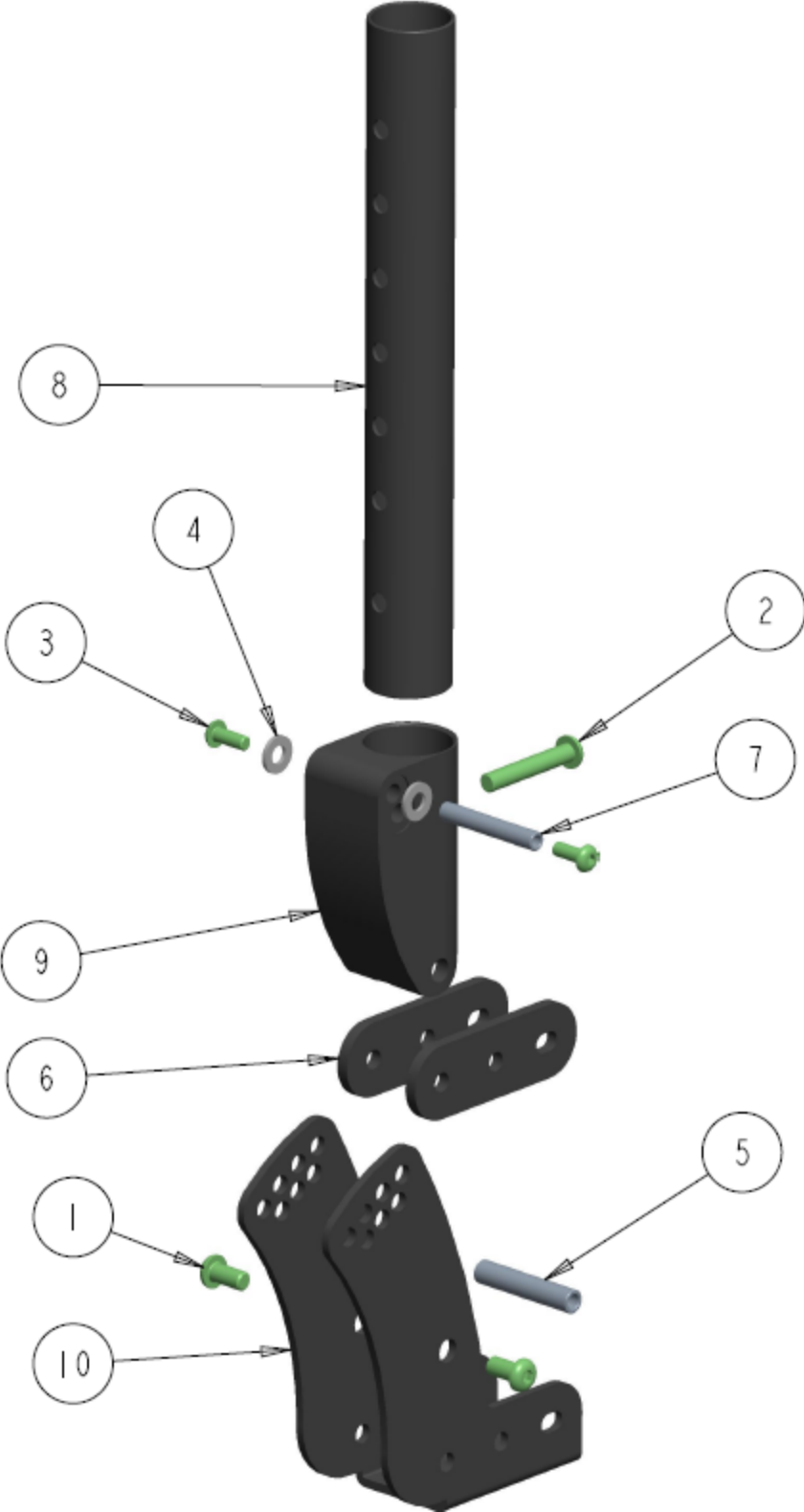
UPGRADED BACK CANE FLIPDOWN MOUNT BRACKETS-1.00 ROUND TUBE-TABLE

ITEM	QTY	NOTES	PART NO.	DESCRIPTION	PRICE/ PER UNIT
1	2		1000012	BOLT, HEX HEAD, 1/4-20NC X 1 3/4	\$3.00
2	2		1000397	NUT, HEX-NYLOCK THIN, 1/4-20NC	\$2.00
3	1		REF	SIDE TUBE, SEAT FRAME SIMPLE ARM	REF
4	1	A	1036845	PADDLE FLIP-DOWN BACKCANE BRACKET	\$430.00

NOTES:

A. PARTS BREAKDOWN FOUND WITHIN THIS SECTION.

PADDLE FIXED BACKCANE BRACKET- SUB ASSEMBLY (1.00 DIA TUBE)

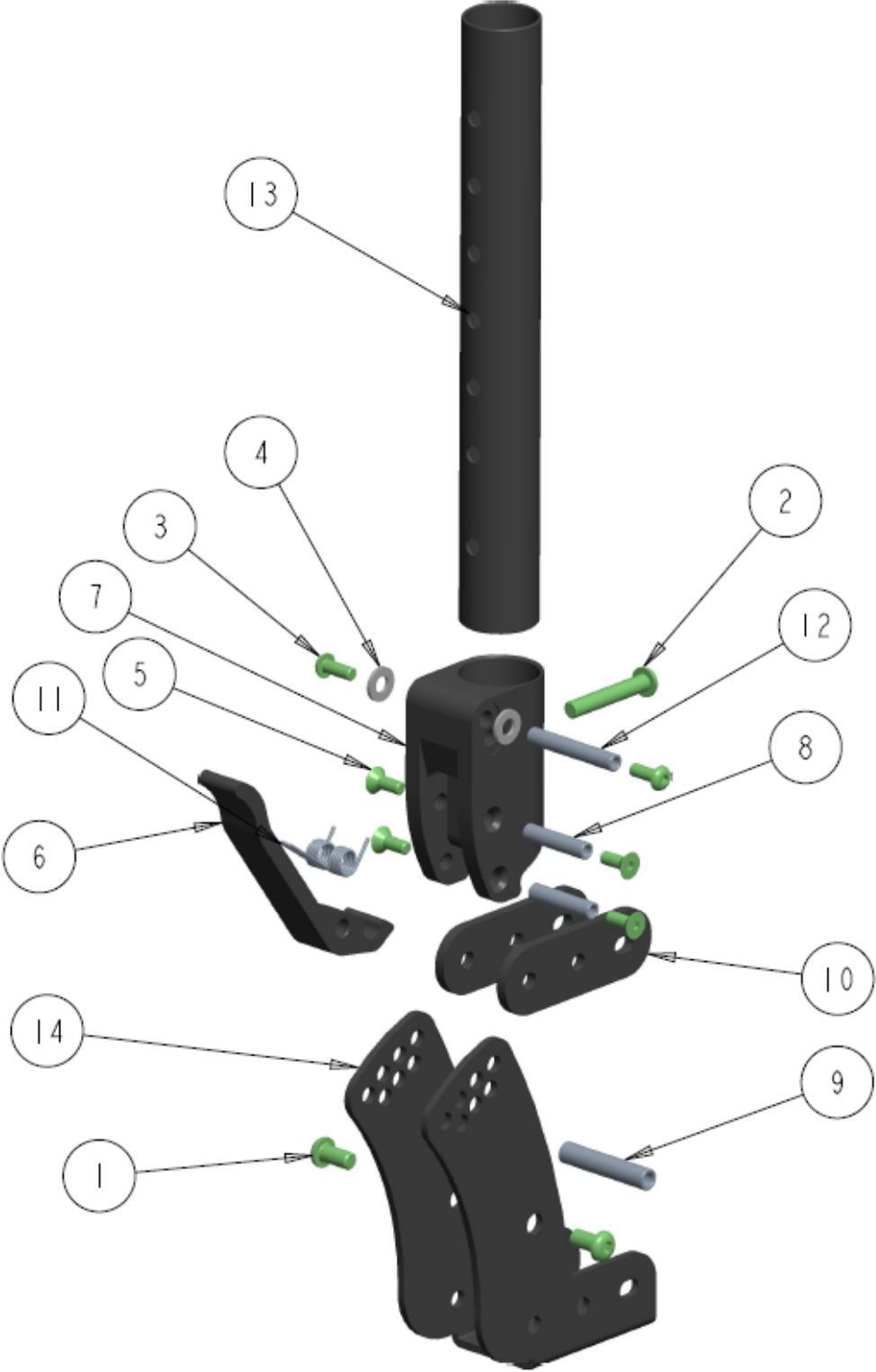


PADDLE FIXED BACKCANE BRACKET- SUB ASSEMBLY (1.00 DIA TUBE) – TABLE

ITEM	QTY	NOTES	PART NO.	DESCRIPTION	PRICE/ PER UNIT
1	2		1000411	SCREW, SOCKET BUTTON HEAD 1/4-20 X 0.500	\$3.00
2	1		1000493	SCREW, SOCKET HEAD BUTTON 1/4-20 X 1.50	\$3.00
3	2		1001212	SCREW, SOCKET HEAD BUTTON, #10-32NF X 1/2	\$3.00
4	2		1001757	NYLON WASHER ID .252, OD .500, THK .060	\$1.50
5	1		1036203	PADDLE RELEASE BINDING PIN	\$25.00
6	2		1036204	CANE BRACKET SPACERS	\$18.00
7	1		1036207	PUSH CANE PIVOT PIN	\$25.00
8	1		1036208	PUSH CANE LOWER MOUNT TUBE	\$45.00
9	1		1036222	FIXED CANE MOUNT BLOCK	\$96.00
10	1		1036819	UPGRADED CANE MOUNT BRACKET	\$104.00
	1		1036995	KIT, COMPLETE PADDLE FIXED BACK CANE BRACKET RT	\$310.00
	1		1036996	KIT, COMPLETE PADDLE FIXED BACK CANE BRACKET LT	\$310.00

NOTES:

PADDLE FLIP-DOWN BACKCANE BRACKET-SUB ASSEMBLY (1.00 DIA TUBE)

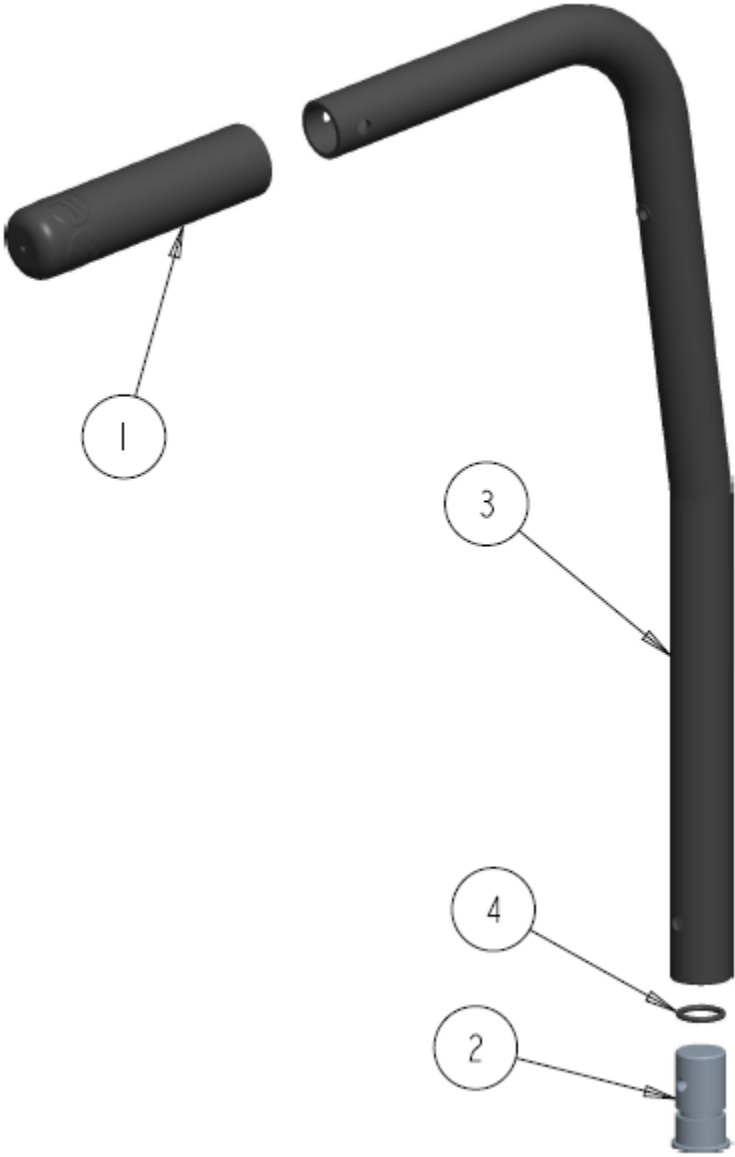


**PADDLE FLIP-DOWN BACKCANE BRACKET-SUB ASSEMBLY (1.00 DIA TUBE)-
TABLE**

ITEM	QTY	NOTES	PART NO.	DESCRIPTION	PRICE/ PER UNIT
1	2		1000411	SCREW,SOC BUTTON HEAD 1/4-20 X 0.500	\$3.00
2	1		1000493	SCREW, SOCKET HEAD BUTTON 1/4-20 X 1.50	\$3.00
3	2		1001212	SCREW, SOCKET HEAD BUTTON, #10-32NF X 1/2	\$3.00
4	2		1001757	NYLON WASHER ID .252, OD .500, THK .060	\$1.50
5	4		1028477	SCREW, FLAT HEAD SOCKET #10/32NF X 1/2	\$3.00
6	1		1036199	PADDLE RELEASE LEVER	\$40.00
7	1		1036200	PADDLE RELEASE MOUNT BLOCK	\$120.00
8	2		1036202	PADDLE RELEASE PIVOT PIN	\$22.00
9	1		1036203	PADDLE RELEASE BINDING PIN	\$25.00
10	2		1036204	CANE BRACKET SPACERS	\$18.00
11	1		1036205	DOUBLE TORSION SPRING	\$10.00
12	1		1036207	PUSH CANE PIVOT PIN	\$25.00
13	1		1036208	PUSH CANE LOWER MOUNT TUBE	\$45.00
14	1		1036819	UPGRADED CANE MOUNT BRACKET	\$104.00
	1		1036997	KIT, COMPLETE PADDLE FLIP-DOWN BACK CANE BRACKET RT	\$430.00
	1		1036998	KIT, COMPLETE PADDLE FLIP-DOWN BACK CANE BRACKET LT	\$430.00

NOTES:

UPGRADED STANDARD PUSH CANE



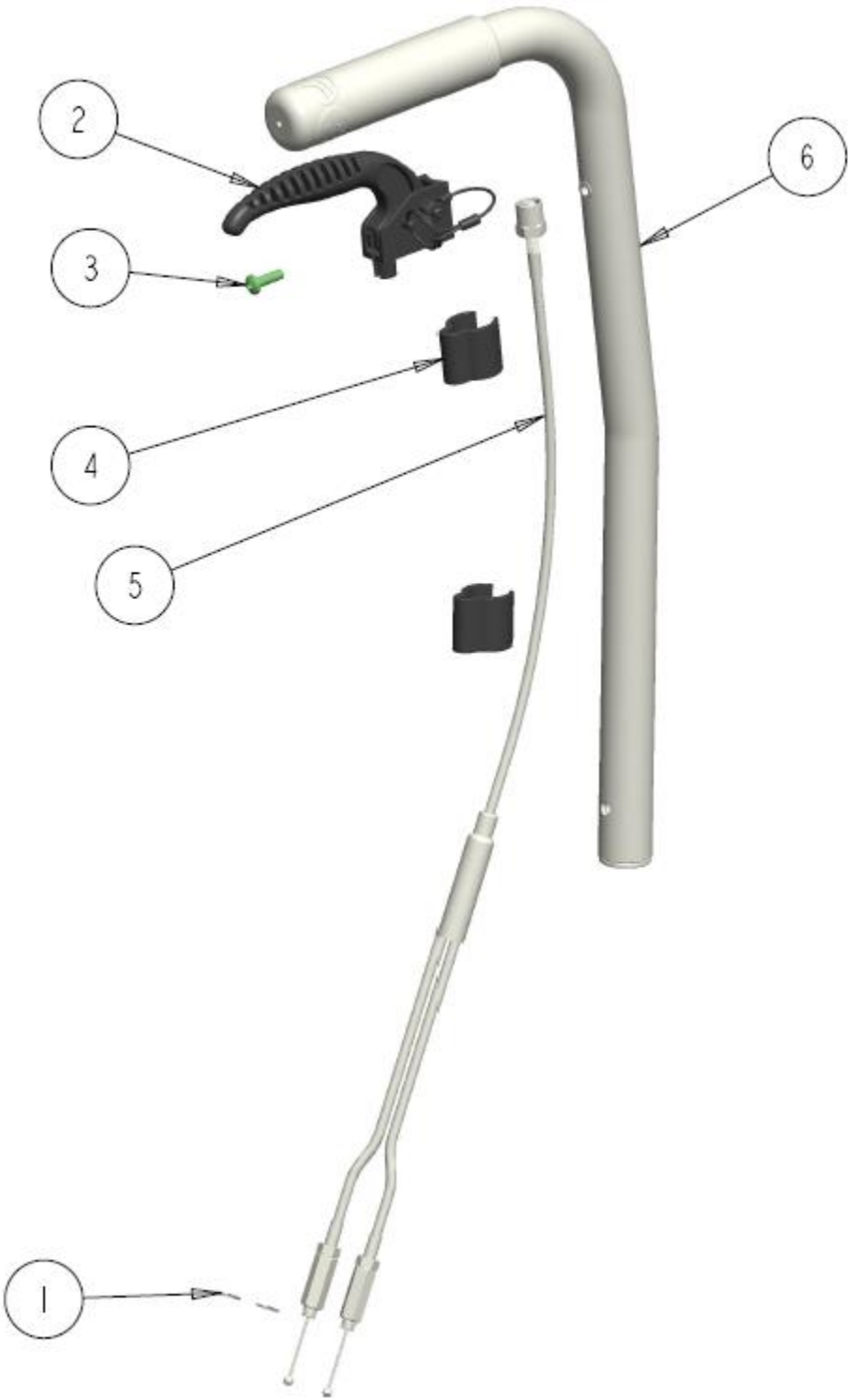
UPGRADED STANDARD PUSH CANE – TABLE

ITEM	QTY	NOTES	PART NO.	DESCRIPTION	PRICE/ PER UNIT
1	1		1028475	LOGO VINYL HAND GRIP 1.00 X 4.75	\$5.00
2	1		1036228	CANE INSERT PLUG	\$30.00
3	1		1036231	BACK CANE 8 DEG BEND WITH RIVNUT	\$55.00
4	1		1036233	O-RING 0.612 ID X .812 OD .103 W BLACK	\$1.50
	1	A	1036975	KIT, COMPLETE BACK CANE STANDARD PUSH CANE	\$80.00

NOTES:

A. TWO QUANTITIES ARE REQUIRED FOR THE CHAIR

UPGRADED PUSH CANE CABLE TRIGGER MOUNT



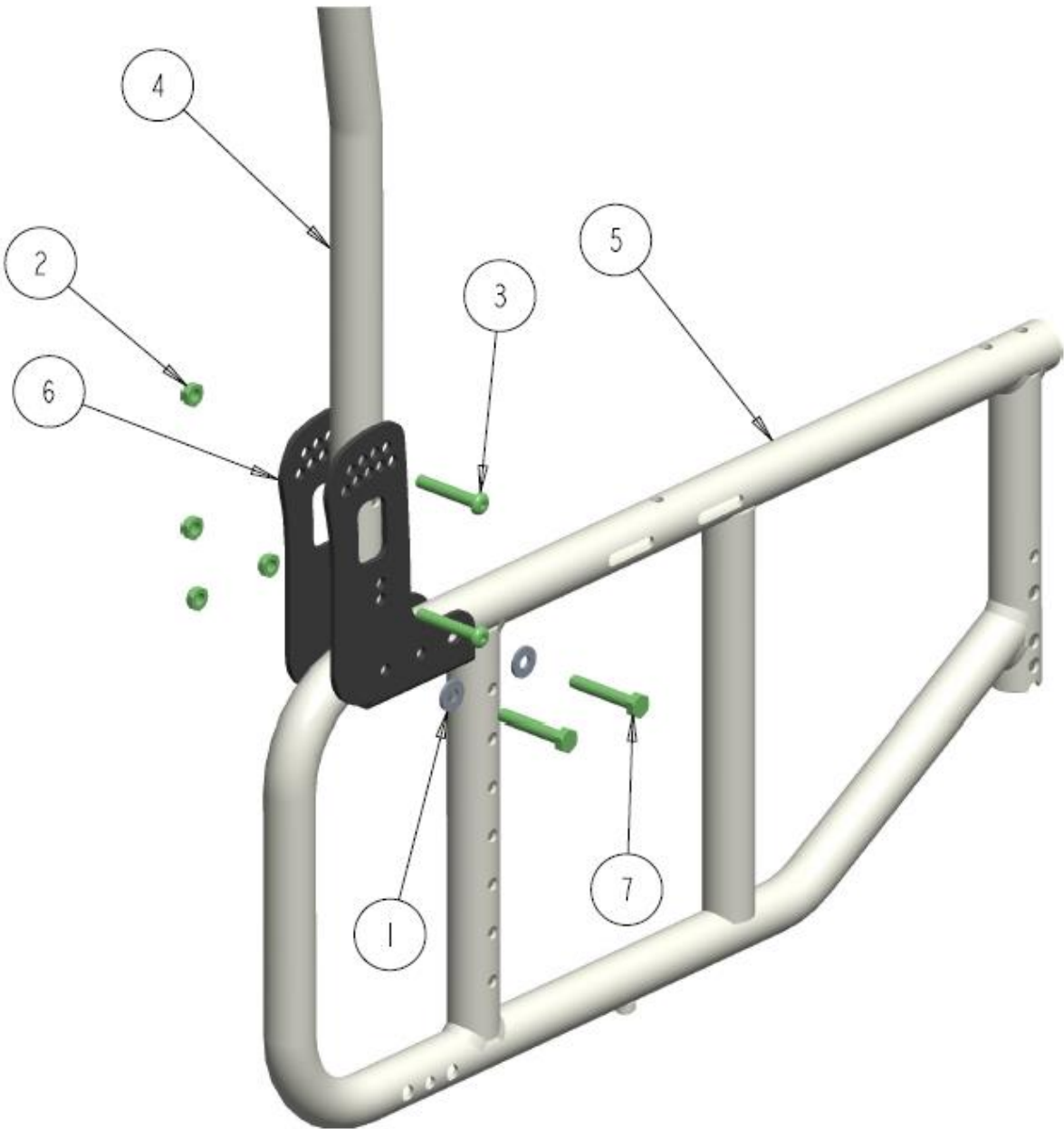
UPGRADED PUSH CANE CABLE TRIGGER MOUNT – TABLE

ITEM	QTY	NOTES	PART NO.	DESCRIPTION	PRICE/ PER UNIT
1	2		1007214	EXTERNAL RETAINING RINGS - E RINGS 7/32	\$1.50
2	1		1008926	CANE MOUNT, TRIGGER HANDLE ASS'Y	\$40.00
3	1		1008934	SCREW, PHILLIPS, PAN HEAD, #10-32NF X 5/8	\$3.00
4	2		1011913	CABLE RETAINER .875-1.00 TUBE	\$6.00
5	1	A	REF	TRIGGER CABLE SPLIT	REF
6	1		REF	STANDARD BACKCANE PUSH CANES	REF

NOTES:

- A. PLEASE SEE PARTS LIBRARY – [CABLE AND TRIGGER](#) FOR PRICING AND DETAILS ON [CABLES](#)

BASIC BACK CANE FIXED MOUNTING BRACKETS - 1.00 ROUND TUBE

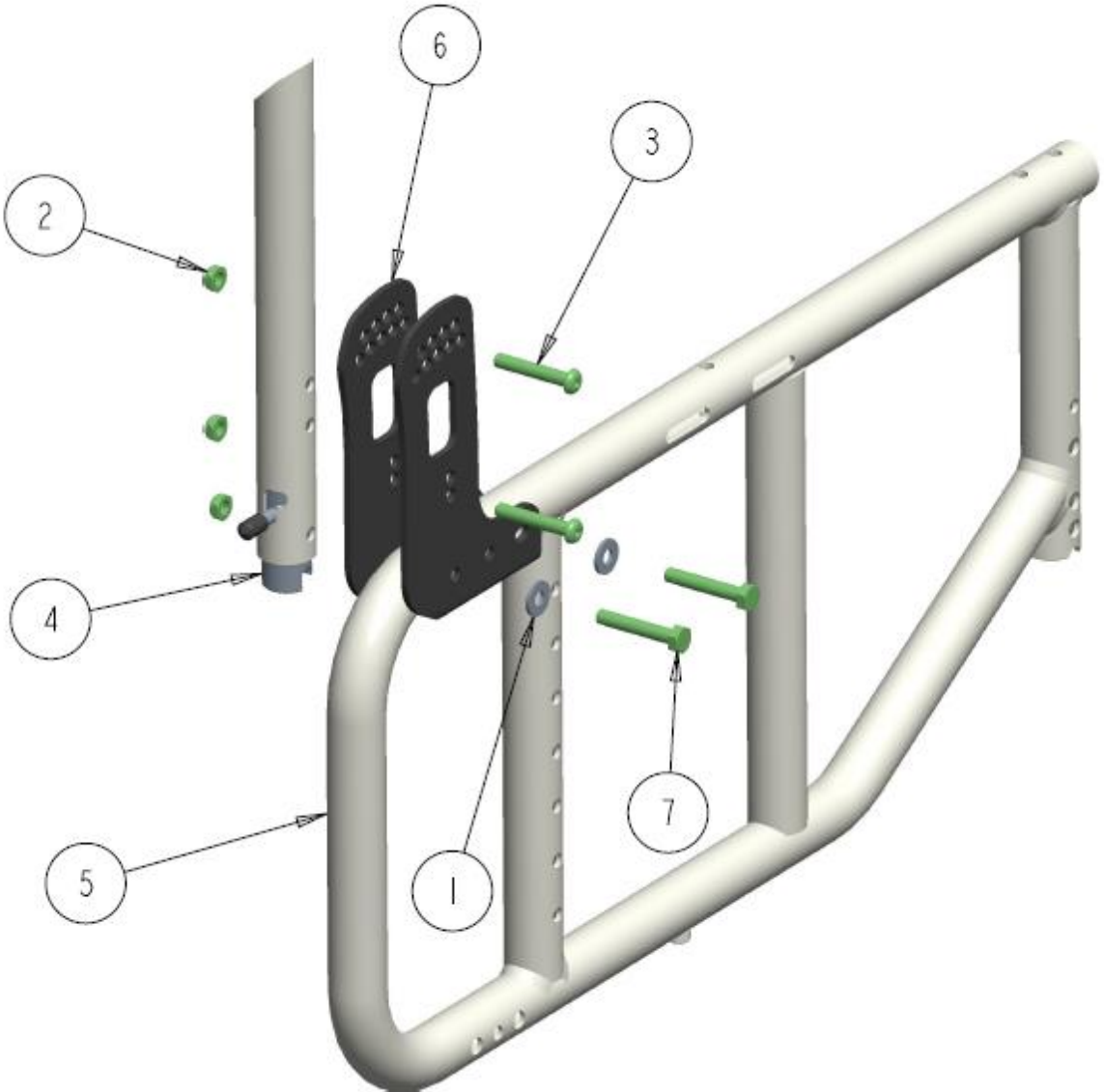


BASIC BACK CANE FIXED MOUNTING BRACKETS - 1.00 ROUND TUBE - TABLE

ITEM	QTY	NOTES	PART NO.	DESCRIPTION	PRICE/ PER UNIT
1	2		1000024	WASHER FLAT SAE 1/4, ID 17/64, OD 5/8 X 0.062 BLK	\$1.50
2	4		1000397	NUT, HEX-NYLOCK THIN, 1/4-20NC	\$2.00
3	2		1000493	SCREW, SOCKET HEAD BUTTON 1/4-20 X 1.50	\$3.00
4	1		1034176	STANDARD BACKCANE PUSH CANES	\$55.00
5	1		REF	STELLATO III, SIDE FRAME, RT, 16-20"	REF
6	1		1036817	STANDARD CANE MOUNT BRACKET	\$104.00
7	2		1036825	CUSTOM BOLT, HEX HEAD, 1/4-20NC	\$8.00
			1036968	KIT, COMPLETE BASIC BACKCANE FLIP MOUNT-ROUND TUBE RT	\$165.00
			1036969	KIT, COMPLETE BASIC BACKCANE FLIP MOUNT-ROUND TUBE LT	\$165.00

NOTES:

BASIC BACK CANE FLIPDOWN MOUNTING BRACKETS - 1.00 ROUND TUBE

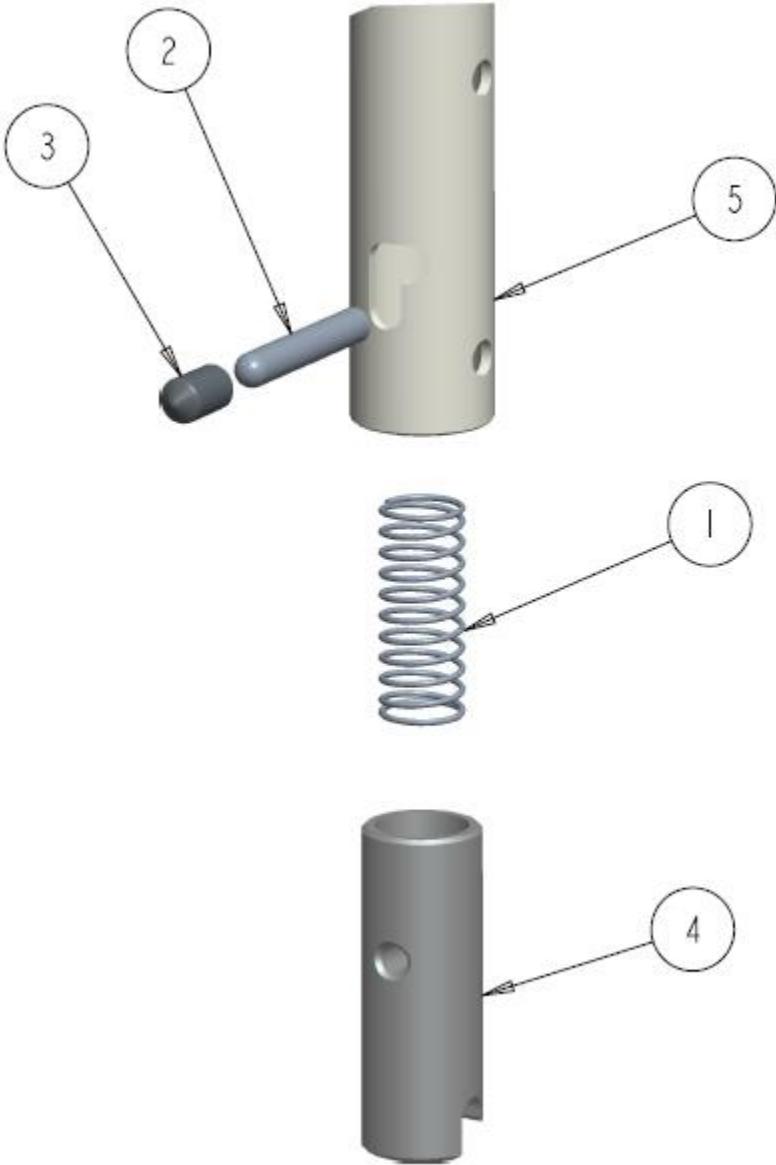


BASIC BACK CANE FLIPDOWN MOUNTING BRACKETS- 1.00 ROUND TUBE- TABLE

ITEM	QTY	NOTES	PART NO.	DESCRIPTION	PRICE/ PER UNIT
1	2		1000024	WASHER FLAT SAE 1/4, ID 17/64, OD 5/8 X 0.062 BLK	\$1.50
2	4		1000397	NUT, HEX-NYLOCK THIN, 1/4-20NC	\$2.00
3	2		1000493	SCREW, SOCKET HEAD BUTTON 1/4-20 X 1.50	\$3.00
4	1		1034175	FIXED TO FOLD-DOWN CONVERSION KIT	\$115.00
5	1		REF	STELLATO III, SIDE FRAME, RT, 16-20"	REF
6	1		1036817	STANDARD CANE MOUNT BRACKET	\$104.00
7	2		1036825	CUSTOM BOLT, HEX HEAD, 1/4-20NC	\$8.00
			1036966	KIT,COMPLETE BASIC BACKCANE FIXED MOUNT-ROUND TUBE - RT	\$220.00
			1036967	KIT,COMPLETE BASIC BACKCANE FIXED MOUNT-ROUND TUBE - LT	\$220.00

NOTES:

BASIC FLIPDOWN PUSH CANE



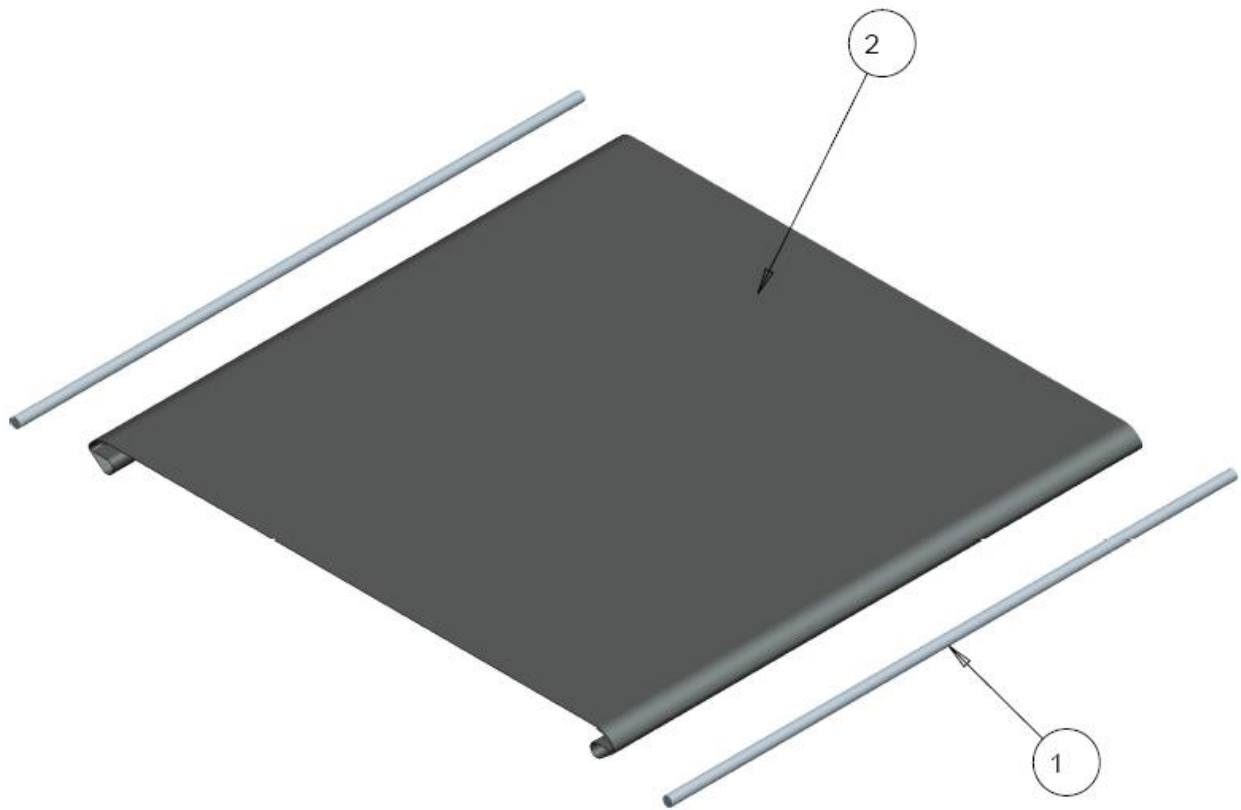
BASIC FLIPDOWN PUSH CANE - TABLE

ITEM	QTY	NOTES	PART NO.	DESCRIPTION	PRICE/ PER UNIT
1	1		1006071	COMPRESSION SPRING O.D.0.6"	\$8.00
2	1		1005381	LOCK DEVICE PIN	\$15.00
3	1		1005382	VINYL ROUND CAP, DIA. 0.25, LG 0.50	\$3.00
4	1		1027661	BACK CANE NYLON LOCKING PLUG	\$40.00
5	1		1034176	STANDARD BACKCANE PUSH CANES	\$55.00
		A	1036974	KIT, COMPLETE BACK CANE FLIPDOWN PUSH CANE (ITEM 1-4)	\$70.00

NOTES:

A. TWO QUANTITIES ARE REQUIRED FOR THE CHAIR

SEAT SLING
STELLATO II SEAT SLING WITH RODS, 14" - 22" WIDE (EVEN SIZES)



STELLATO II SEAT SLING WITH RODS, 14"- 22" WIDE - TABLE

ITEM	QTY	NOTES	PART NO.	DESCRIPTION	PRICE/ PER UNIT
1	2		1034574	INSERT ROD, SEAT RAIL SLING 16" DEPTH	\$13.00
	2		1034575	INSERT ROD, SEAT RAIL SLING 18" DEPTH	\$13.00
	2		1034576	INSERT ROD, SEAT RAIL SLING 20" DEPTH	\$13.00
2	1	A	1036902	INSIDE RAIL SEAT SLING GEN (W X D) SPECIFY SIZE (EVEN)	\$90.00

NOTES:

A- SPECIFY SEAT SLING WIDTH WHEN ORDERING (SLING WIDTH IS 3 IN. SMALLER THAN X-BRACE WIDTH, WHILE ORDERING 16X18 SIZE, SLING SIZE WILL BE 13x18)

BACK SLING

STELLATO II SLING BACK HARDWARE ASS'Y, 14"- 22" WIDE

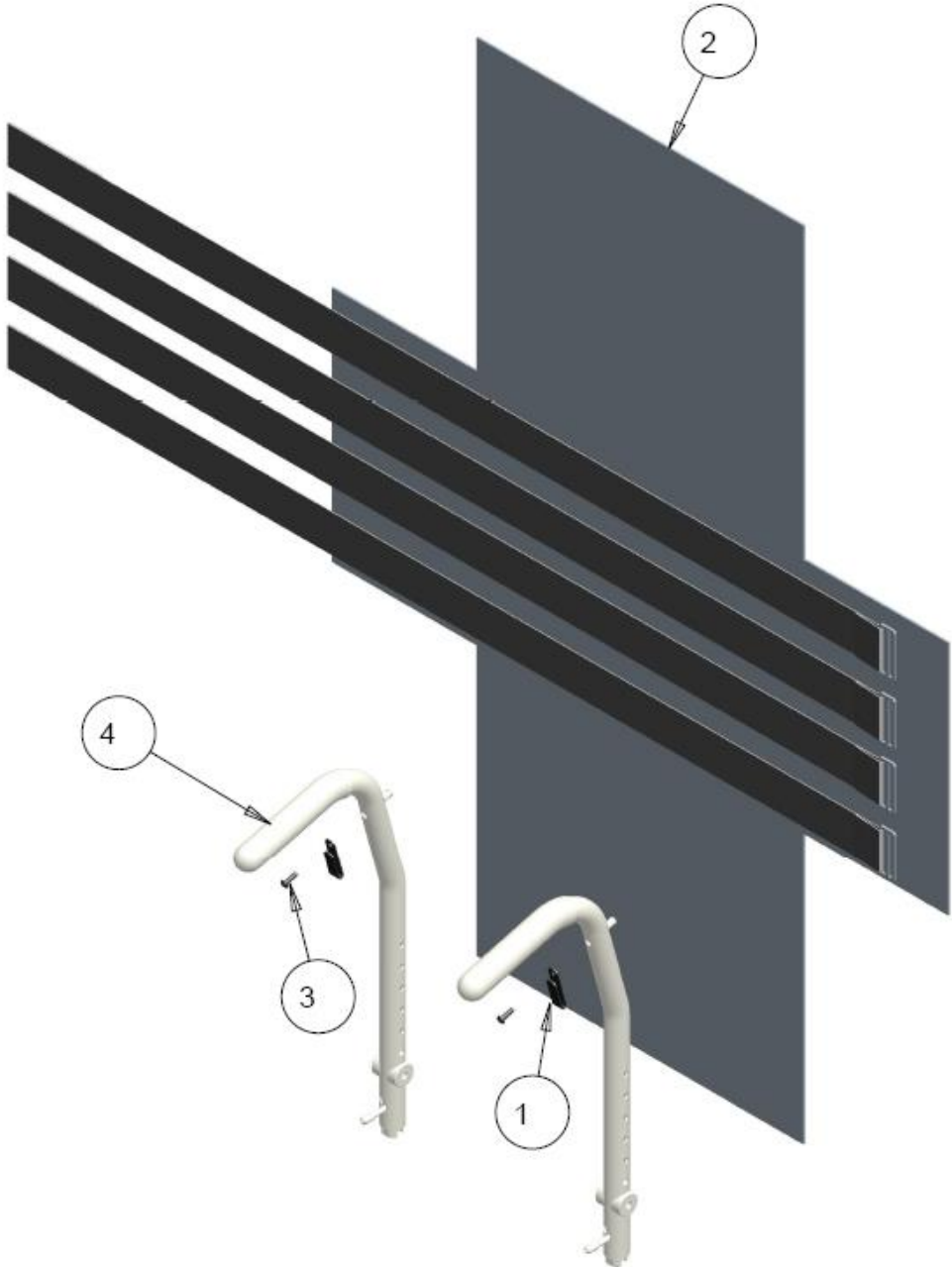


GALAXY SLING BACK HARDWARE ASS'Y TABLE, 14"- 22" WIDE - TABLE

ITEM	QTY	NOTES	PART NO.	DESCRIPTION	PRICE/ PER UNIT
1	1		1004413	SLING BACK UPHOLSTERY - LOW, 14" WIDTH	\$85.00
	1		1004415	SLING BACK UPHOLSTERY - LOW, 16" WIDTH	\$85.00
	1		1004417	SLING BACK UPHOLSTERY - LOW, 18" WIDTH	\$85.00
	1		1004419	SLING BACK UPHOLSTERY - LOW, 20" WIDTH	\$85.00
	1		1024726	SLING BACK UPHOLSTERY - LOW, 22" WIDTH	\$85.00
	1		1004409	SLING BACK UPHOLSTERY - HIGH, 14" WIDTH	\$85.00
	1		1004421	SLING BACK UPHOLSTERY - HIGH, 16" WIDTH	\$85.00
	1		1004423	SLING BACK UPHOLSTERY - HIGH, 18" WIDTH	\$85.00
	1		1004425	SLING BACK UPHOLSTERY - HIGH, 20" WIDTH	\$85.00
	1		1024728	SLING BACK UPHOLSTERY - HIGH, 22" WIDTH	\$85.00

NOTES: UPHOLSTREY COMES WITH MOUNTING ACCESSORIES.

STELLATO II ADJUSTABLE TENSION BACK HARDWARE ASS'Y



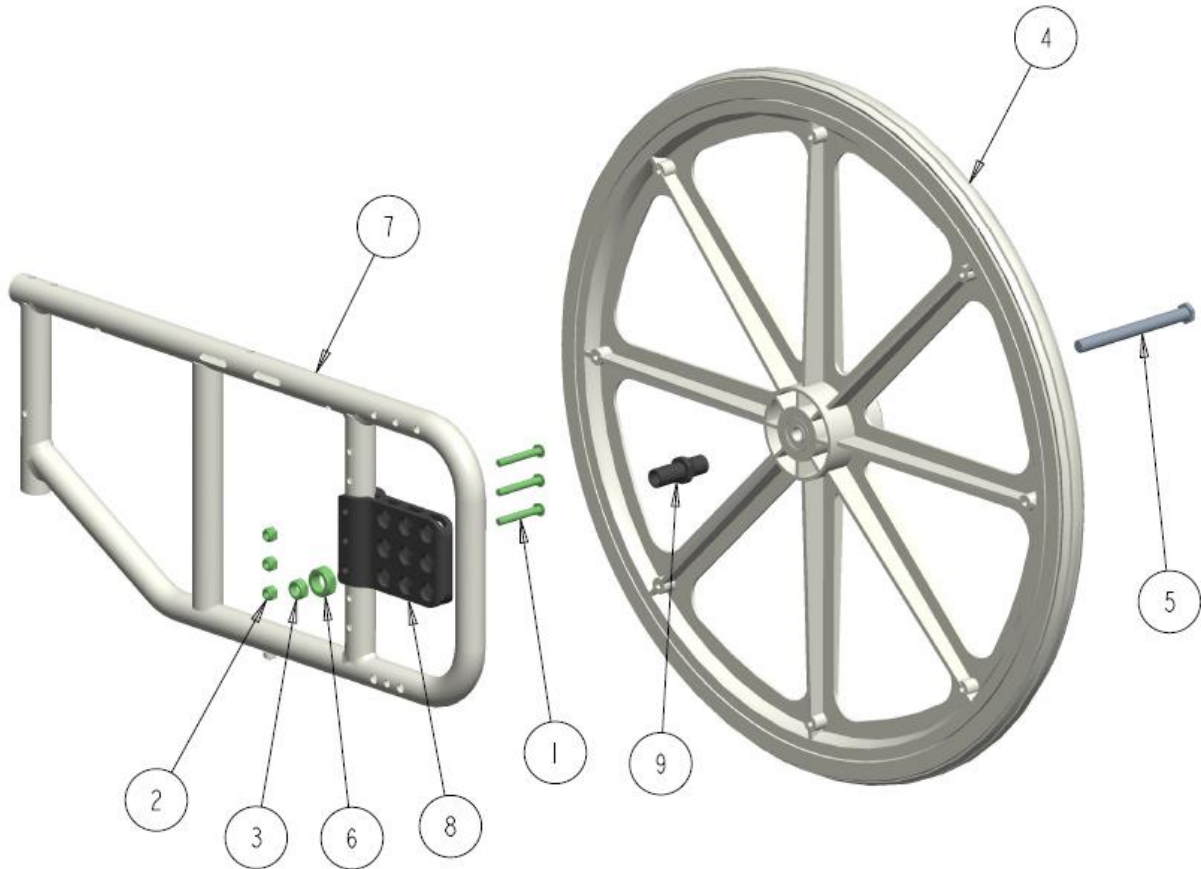
STELLATO II ADJUSTABLE TENSION BACK HARDWARE ASS'Y – TABLE

ITEM	QTY	NOTES	PART NO.	DESCRIPTION	PRICE/ PER UNIT
1	2		1004970	TENSION BACK HOOK	\$9.00
2	1		1004963	TENSION BACK LOW	\$115.00
	1		1004966	TENSION BACK HIGH	\$115.00
3	2		1000193	SCREW, SOCKET HEAD BUTTON, #10-32NF X 5/8	\$4.00
4	2		REF	BACKPOST ASS'Y, GENERAL	REF
	1		1036903	KIT, TENSION BACK HIGH ASS'Y (ITEMS 1-3)	\$280.00
	1		1025307	KIT, TENSION BACK LOW ASS'Y (ITEMS 1-3)	\$270.00

NOTES:

REAR WHEELS AND MOUNTS

STELLATO II REAR WHEEL MOUNT FIXED ASS'Y



AMPUTEE MOUNT
FACING REAR

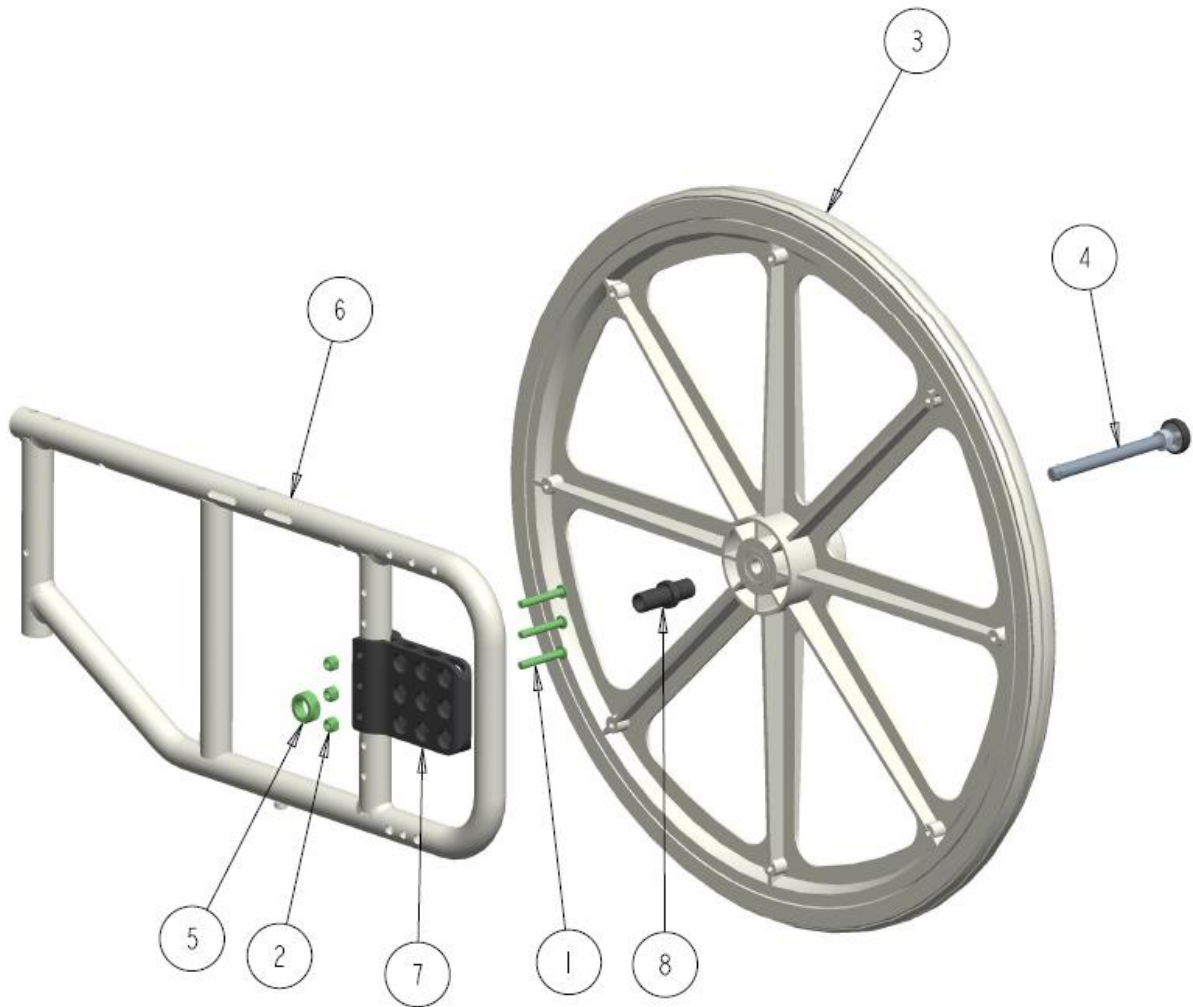
STELLATO II REAR WHEEL MOUNT FIXED ASS'Y - TABLE

ITEM	QTY	NOTES	PART NO.	DESCRIPTION	PRICE/ PER UNIT
1	3		1000783	SCREW, SOCKET HEAD BUTTON 1/4-20 X 1.75	\$3.00
2	3		1000014	NUT, HEX, NYLOCK 1/4-20NC	\$2.00
3	1		1001462	NUT. HEX-NYLOCK THIN, 7/16-20NF, ZINC	\$2.50
4	1	A	REF	24" COMPOSITE REAR WHEEL- RIM	REF
5	1		1026612	BOLT, HEX HEAD, 7/16-20 X 4.75 , MACH	\$4.00
6	1		1029693	NUT LOCK 5/8-18 ZINC	\$2.50
7	1		REF	STELLATO II, INSIDE SIDE FRAME, RT, 16-20"	REF
8	1		1034545	SIDE FRAME MULTI AXCEL MOUNT PLATE	\$145.00
9	1		1037139	MULTI REAR AXEL	\$45.00
	1		1036719	AMPUTEE MULTI AXCEL MOUNT PLATE	\$95.00

NOTES:

A- PLEASE SEE PARTS LIBRARY - [REAR WHEELS](#) FOR PRICING AND DETAILS OF [REAR WHEELS](#)

STELLATO II REAR WHEEL MOUNT QUICK RELEASE



AMPUTEE MOUNT
FACING REAR

STELLATO II REAR WHEEL MOUNT QUICK RELEASE - TABLE

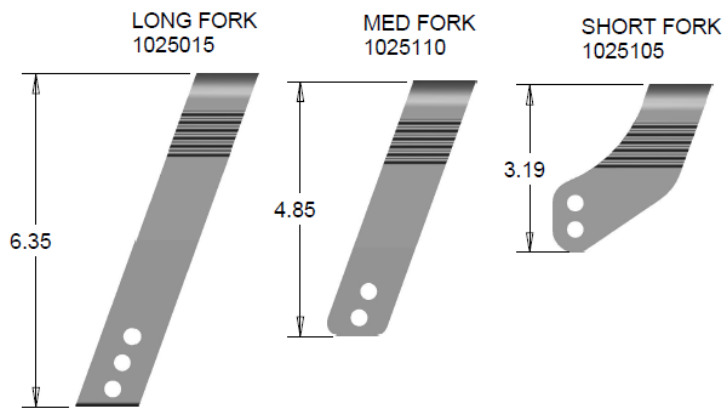
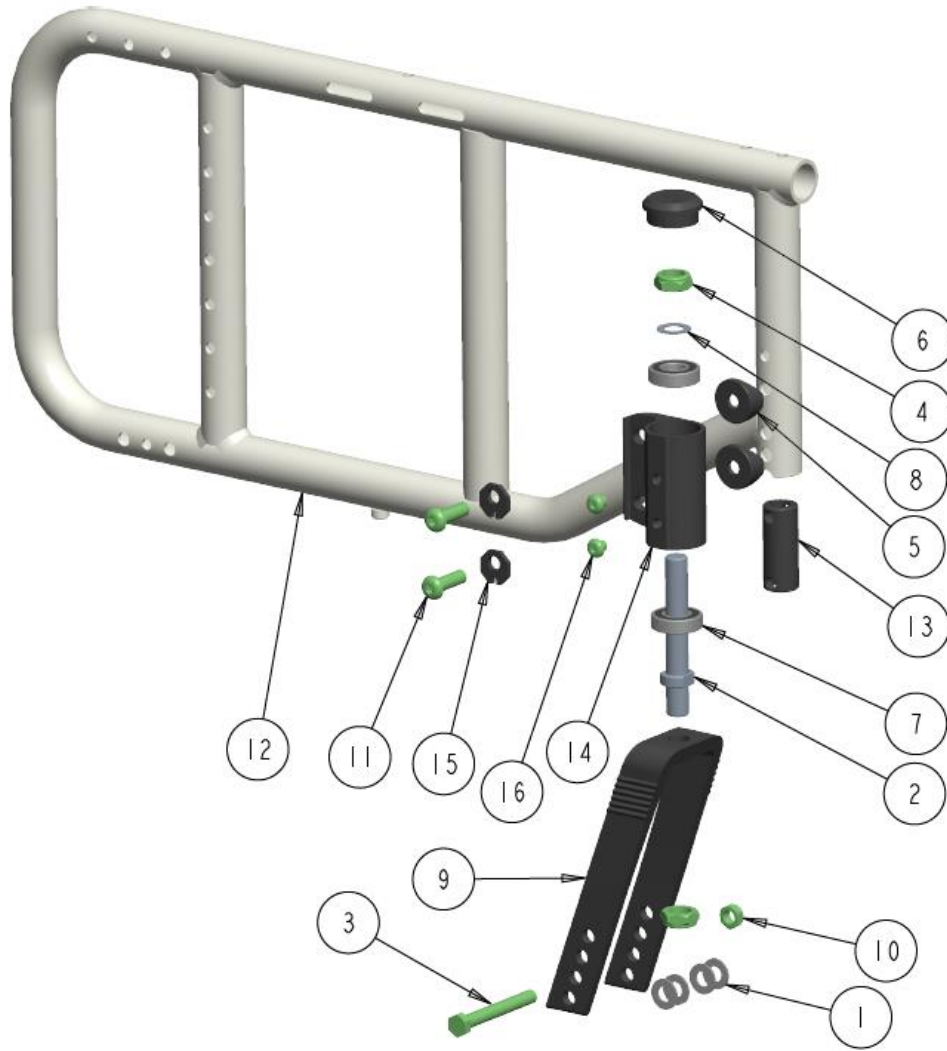
ITEM	QTY	NOTES	PART NO.	DESCRIPTION	PRICE/ PER UNIT
1	3		1000783	SCREW, SOCKET HEAD BUTTON 1/4-20 X 1.75	\$3.00
2	3		1000014	NUT, HEX, NYLOCK 1/4-20NC	\$2.00
3	1	A	REF	24" COMPOSITE REAR WHEEL- RIM	REF
4	1		1008937	MUSHROOM QUICK RELEASE AXEL	\$95.00
5	1		1029693	NUT LOCK 5/8-18 ZINC	\$2.50
6	1		REF	STELLATO II, INSIDE SIDE FRAME, RT, 16-20"	REF
7	1		1034545	SIDE FRAME MULTI AXCEL MOUNT PLATE	\$145.00
8	1		1037139	MULTI REAR AXEL	\$45.00
	1		1036719	AMPUTEE MULTI AXCEL MOUNT PLATE	\$95.00

NOTES:

A- PLEASE SEE PARTS LIBRARY - [REAR WHEELS](#) FOR PRICING AND DETAILS OF [REAR WHEELS](#)

CASTERS AND FORKS

STELLATO II FRONT CASTER MOUNT - STANDARD ASS'Y



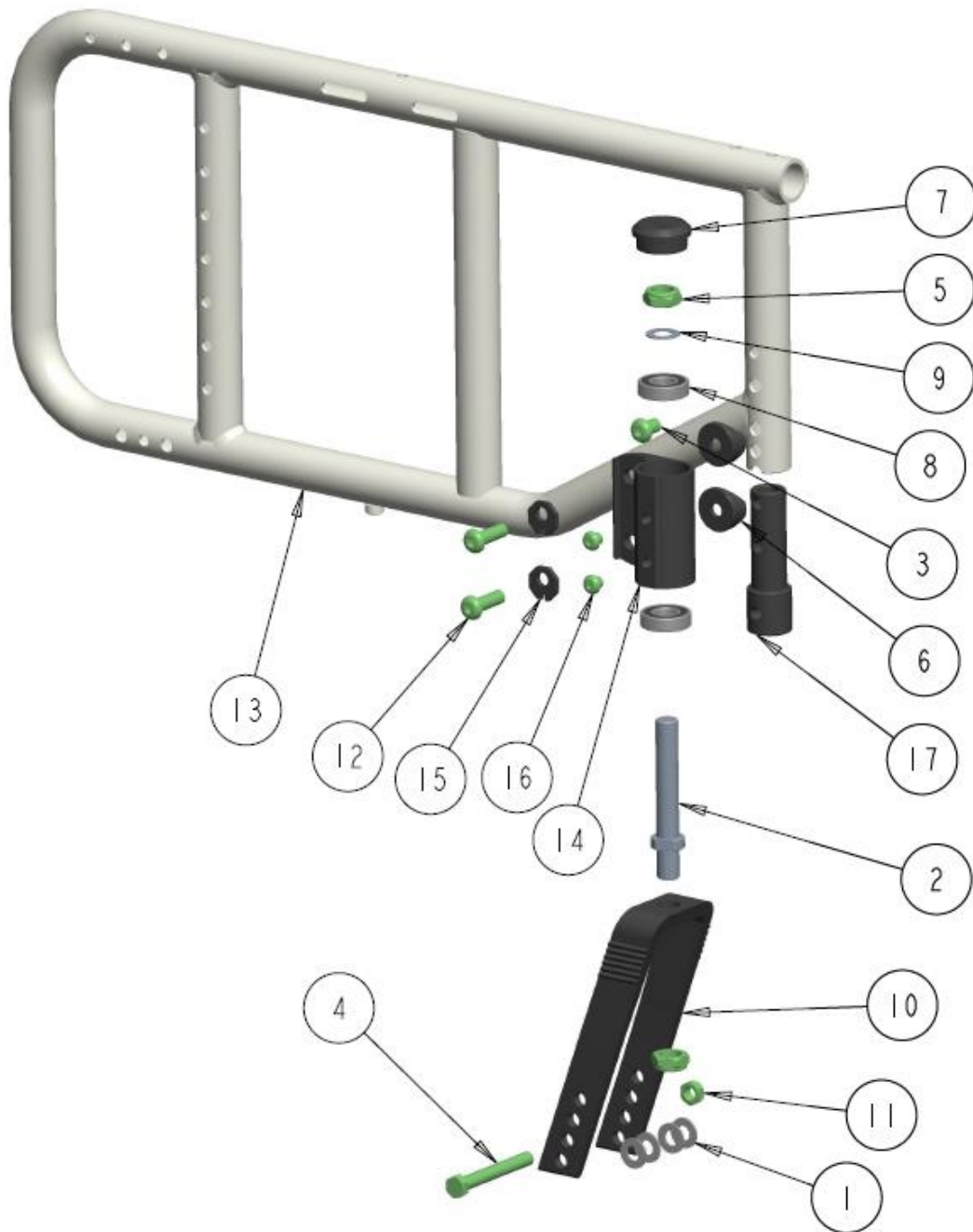
STELLATO II FRONT CASTER MOUNT - STANDARD ASS'Y – TABLE

ITEM	QTY	NOTES	PART NO.	DESCRIPTION	PRICE/ PER UNIT
1	4		1000008	WASHER FLAT 5/16 X 1/16 OD 1/16 THK BLK	\$1.50
2	1		1000144	STEM, CASTER JOURNAL	\$43.00
3	1		1000422	BOLT, HEX HEAD, 5/16-18NC X 2 1/2	\$3.00
4	2		1000976	NUT. HEX-NYLOCK THIN, 1/2-20NF	\$2.50
5	2		1003831	SPACER, COVERED 0.312x1.0 DIA. HALF	\$3.00
6	1		1005363	CASTER MOUNT CAP, PLASTIC	\$8.00
7	2		1013407	BEARING ID 0.5" X 1.125 OD X .312	\$10.00
8	1		1021330	WASHER FLAT ID.512 OD.755 THK.030	\$1.50
9	1		1025015	NARROW FORK LONG - WITH RIBS	\$56.00
	1		1025110	NARROW FORK MED - WITH RIBS	\$52.00
	1		1025105	NARROW FORK SHORT - WITH RIBS	\$58.00
10	1		1029691	NUT, HEX-NYLOCK THIN, 5/16-18NC BLK	\$2.00
11	2		1030453	SCREW, SOCKET HEAD BUTTON 5/16-18 X 1.0	\$3.00
12	1		REF	STELLATO II SIDE FRAME RT WITH SUPPORTS GEN	REF
13	1		1034536	CASTER INSERT PLUG	\$14.00
14	1		1034541	FRONT CASTER MOUNT, RT	\$195.00
	1		1034542	FRONT CASTER MOUNT, LT	\$195.00
15	2		1034544	CASTER HOUSING ANGLE LOCK PLATE	\$195.00
16	2		1034585	BUTTON HEAD 1/4-28 X 0.25	\$345.00

NOTES:

PLEASE SEE PARTS LIBRARY - **CASTERS AND FORKS** FOR PRICING AND DETAILS ON **CASTER WHEELS 4", 5", 6" AND 8" AVAILABLE**

STELLATO II FRONT CASTER MOUNT – PLUS 1" ASSY



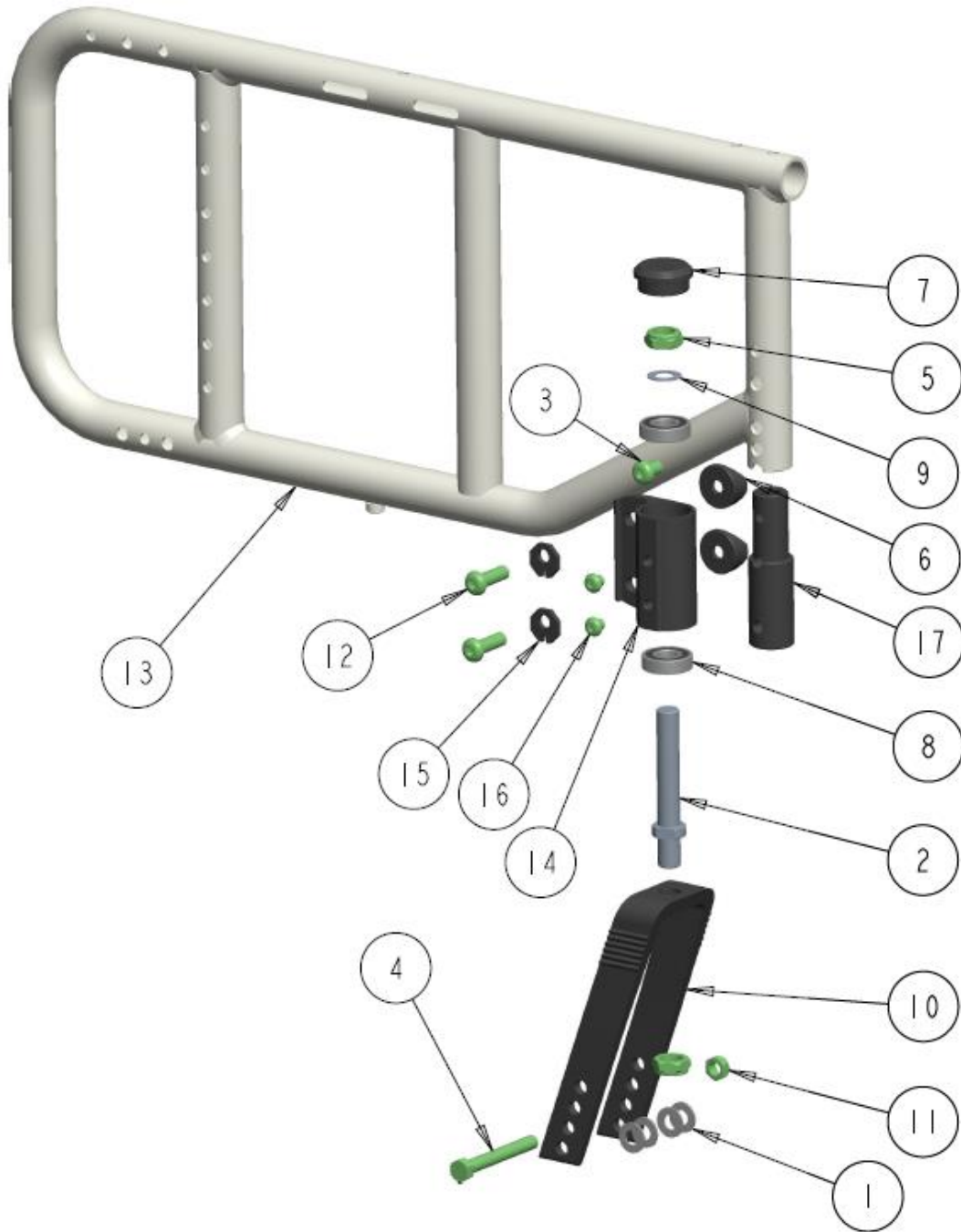
STELLATO II FRONT CASTER MOUNT – PLUS 1” ASS'Y – TABLE

ITEM	QTY	NOTES	PART NO.	DESCRIPTION	PRICE/ PER UNIT
1	4		1000008	WASHER FLAT 5/16 X 1/16 OD 1/16 THK BLK	\$1.50
2	1		1000144	STEM, CASTER JOURNAL	\$43.00
3	1		1000413	SCREW, SOCKET HEAD BUTTON 5/16-18 X 0.5	\$3.75
4	1		1000422	BOLT, HEX HEAD, 5/16-18NC X 2 1/2	\$3.00
5	2		1000976	NUT, HEX-NYLOCK THIN, 1/2-20NF	\$2.50
6	2		1003831	SPACER, COVERED 0.312x1.0 DIA. HALF	\$3.00
7	1		1005363	CASTER MOUNT CAP, PLASTIC	\$8.00
8	2		1013407	BEARING ID 0.5" X 1.125 OD X .312	\$10.00
9	1		1021330	WASHER FLAT ID.512 OD.755 THK.030	\$1.50
10	1		1025015	NARROW FORK LONG - WITH RIBS	\$56.00
	1		1025110	NARROW FORK MED - WITH RIBS	\$52.00
	1		1025105	NARROW FORK SHORT - WITH RIBS	\$58.00
11	1		1029691	NUT, HEX-NYLOCK THIN, 5/16-18NC BLK	\$2.00
12	2		1030453	SCREW, SOCKET HEAD BUTTON 5/16-18 X 1.0	\$3.00
13	1		REF	STELLATO II SIDE FRAME RT WITH SUPPORTS GEN	REF
14	1		1034541	FRONT CASTER MOUNT, RT	\$195.00
	1		1034542	FRONT CASTER MOUNT, LT	\$195.00
15	2		1034544	CASTER HOUSING ANGLE LOCK PLATE	\$195.00
16	2		1034585	BUTTON HEAD 1/4-28 X 0.25	\$345.00
17	1		1035967	1" STF EXTENSION INSERT	\$16.00

NOTES:

PLEASE SEE PARTS LIBRARY - **CASTERS AND FORKS** FOR PRICING AND DETAILS ON **CASTER WHEELS 4", 5", 6" AND 8" AVAILABLE**

STELLATO II FRONT CASTER MOUNT – PLUS 2" ASSY



STELLATO II FRONT CASTER MOUNT – PLUS 2” ASS'Y – TABLE

ITEM	QTY	NOTES	PART NO.	DESCRIPTION	PRICE/ PER UNIT
1	4		1000008	WASHER FLAT 5/16 X 1/16 OD 1/16 THK BLK	\$1.50
2	1		1000144	STEM, CASTER JOURNAL	\$43.00
3	1		1000413	SCREW, SOCKET HEAD BUTTON 5/16-18 X 0.5	\$3.75
4	1		1000422	BOLT, HEX HEAD, 5/16-18NC X 2 1/2	\$3.00
5	2		1000976	NUT, HEX-NYLOCK THIN, 1/2-20NF	\$2.50
6	2		1003831	SPACER, COVERED 0.312x1.0 DIA. HALF	\$3.00
7	1		1005363	CASTER MOUNT CAP, PLASTIC	\$8.00
8	2		1013407	BEARING ID 0.5" X 1.125 OD X .312	\$10.00
9	1		1021330	WASHER FLAT ID.512 OD.755 THK.030	\$1.50
10	1		1025015	NARROW FORK LONG - WITH RIBS	\$56.00
	1		1025110	NARROW FORK MED - WITH RIBS	\$52.00
	1		1025105	NARROW FORK SHORT - WITH RIBS	\$58.00
11	1		1029691	NUT, HEX-NYLOCK THIN, 5/16-18NC BLK	\$2.00
12	2		1030453	SCREW, SOCKET HEAD BUTTON 5/16-18 X 1.0	\$3.00
13	1		REF	STELLATO II SIDE FRAME RT WITH SUPPORTS GEN	REF
14	1		1034541	FRONT CASTER MOUNT, RT	\$195.00
	1		1034542	FRONT CASTER MOUNT, LT	\$195.00
15	2		1034544	CASTER HOUSING ANGLE LOCK PLATE	\$195.00
16	2		1034585	BUTTON HEAD 1/4-28 X 0.25	\$345.00
17	1		1035968	2" STF EXTENSION INSERT	\$18.00

NOTES:

PLEASE SEE PARTS LIBRARY - **CASTERS AND FORKS** FOR PRICING AND DETAILS ON **CASTER WHEELS 4", 5", 6" AND 8" AVAILABLE**

STELLATO II STF CHART

STELLATO II (INSIDE/ OVER RAIL) STF HEIGHT AVAILABILITY

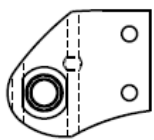
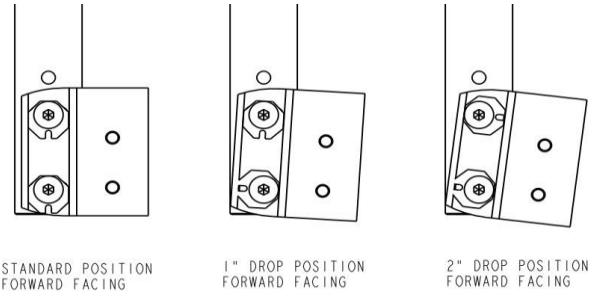
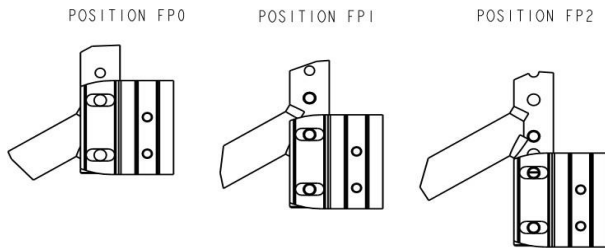
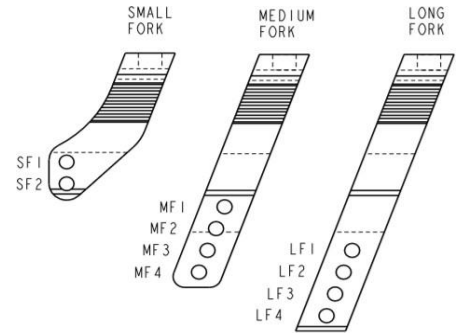
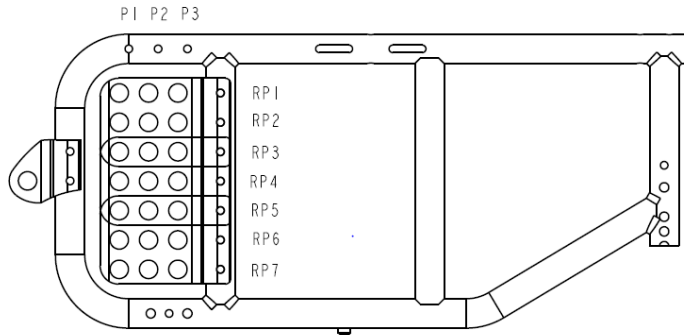
Flush Seat Slope O.R		Flush Seat Slope I.R		Wheel Size and Axle Position			Fork Position & Caster Wheel Size				
Front STF	Rear STF	Front STF	Rear STF	20"	22"	24"	4"	5"	6"	7"	8"
13.5" FSTF	13.5" RSTF	12" FSTF	12" RSTF	RP1			FP0 SF1				
14.5" FSTF	14.5" RSTF	13" FSTF	13" RSTF	RP2	RP1			FP0 SF2			
15.5" FSTF	15.5" RSTF	14" FSTF	14" RSTF	RP3	RP2	RP1		FP0 MF2	FP0 MF1		
16.5" FSTF	16.5" RSTF	15" FSTF	15" RSTF	RP4	RP3	RP2		FP0 MF4	FP0 MF3	FP0 MF2	
17.5" FSTF	17.5" RSTF	16" FSTF	16" RSTF	RP5	RP4	RP3		FP0 LF4	FP0 LF3	FP0 MF4	FP0 LF1
18.5" FSTF	18.5" RSTF	17" FSTF	17" RSTF	RP6	RP5	RP4		FP1 LF4	FP1 LF3	FP1 MF4	FP0 LF3
19.5" FSTF	19.5" RSTF	18" FSTF	18" RSTF	RP7	RP6	RP5		FP2 LF4	FP2 LF3	FP1 LF4	FP1 LF3
20.5" FSTF	20.5" RSTF	19" FSTF	19" RSTF		RP7	RP6				FP2 LF4	FP2 LF3

STELLATO II (INSIDE/ OVER RAIL) STF HEIGHT AVAILABILITY

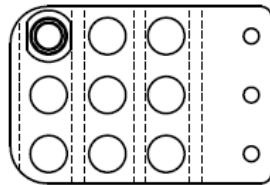
1" Drop Seat Slope O.R		1" Drop Seat Slope I.R		Wheel Size and Axle Position			Fork Position & Caster Wheel Size				
Front STF	Rear STF	Front STF	Rear STF	20"	22"	24"	4"	5"	6"	7"	8"
14.5" FSTF	13.5" RSTF	13" FSTF	12" RSTF	RP1				FP0 SF2			
15.5" FSTF	14.5" RSTF	14" FSTF	13" RSTF	RP2	RP1			FP0 MF2	FP0 MF1		
16.5" FSTF	15.5" RSTF	15" FSTF	14" RSTF	RP3	RP2	RP1		FP0 MF4	FP0 MF3	FP0 MF2	
17.5" FSTF	16.5" RSTF	16" FSTF	15" RSTF	RP4	RP3	RP2		FP0 LF4	FP0 LF3	FP0 MF4	FP0 LF1
18.5" FSTF	17.5" RSTF	17" FSTF	16" RSTF	RP5	RP4	RP3		FP1 LF4	FP1 LF3	FP1 MF4	FP0 LF3
19.5" FSTF	18.5" RSTF	18" FSTF	17" RSTF	RP6	RP5	RP4		FP2 LF4	FP2 LF3	FP1 LF4	FP1 LF3
20.5" FSTF	19.5" RSTF	19" FSTF	18" RSTF	RP7	RP6	RP5				FP2 LF4	FP2 LF3

STELLATO II (INSIDE/ OVER RAIL) STF HEIGHT AVAILABILITY

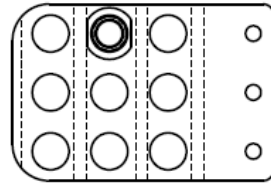
2" Drop Seat Slope O.R		2" Drop Seat Slope I.R		Wheel Size and Axle Position			Fork Position & Caster Wheel Size				
Front STF	Rear STF	Front STF	Rear STF	20"	22"	24"	4"	5"	6"	7"	8"
15.5" FSTF	13.5" RSTF	14" FSTF	12" RSTF	RP1				FP0 MF2	FP0 MF1		
16.5" FSTF	14.5" RSTF	15" FSTF	13" RSTF	RP2	RP1			FP0 MF4	FP0 MF3	FP0 MF2	
17.5" FSTF	15.5" RSTF	16" FSTF	14" RSTF	RP3	RP2	RP1		FP0 LF4	FP0 LF3	FP0 MF4	FP0 LF1
18.5" FSTF	16.5" RSTF	17" FSTF	15" RSTF	RP4	RP3	RP2		FP1 LF4	FP1 LF3	FP1 MF4	FP0 LF3
19.5" FSTF	17.5" RSTF	18" FSTF	16" RSTF	RP5	RP4	RP3		FP2 LF4	FP2 LF3	FP1 LF4	FP1 LF3
20.5" FSTF	18.5" RSTF	19" FSTF	17" RSTF	RP6	RP5	RP4				FP2 LF4	FP2 LF3



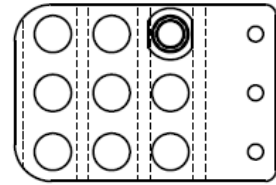
AMPUTEE



STABLE



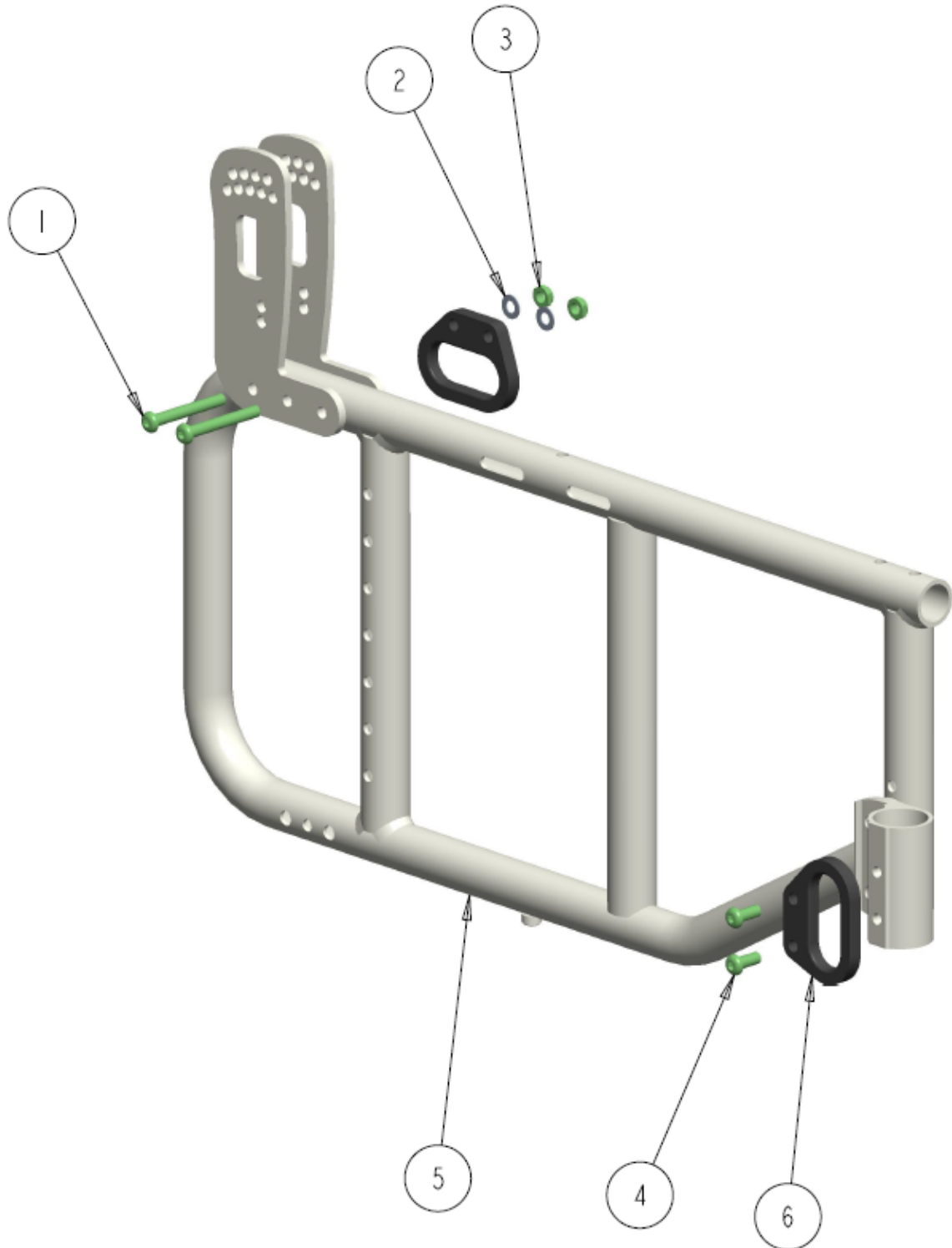
STANDARD



ACTIVE

TIE-DOWNS

STELLATO II FRONT AND REAR TIE-DOWNS



LOC-TITE BLUE

STELLATO II FRONT AND REAR TIE-DOWNS – TABLE

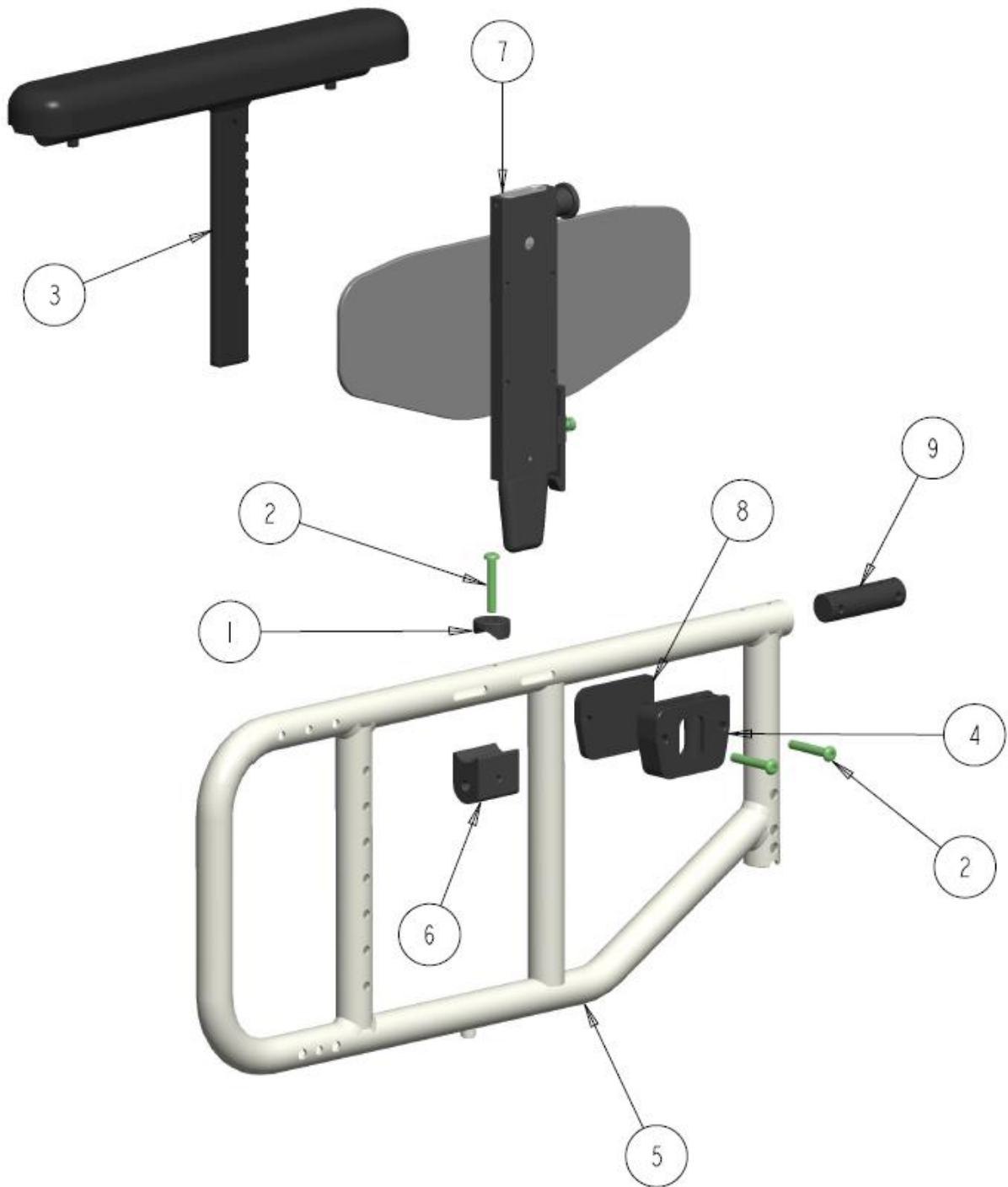
ITEM	QTY	NOTES	PART NO.	DESCRIPTION	PRICE/ PER UNIT
1	2		1002708	SCREW, SOCKET HEAD BUTTON 1/4-20 X 2.00	\$3.00
2	2		1000027	WASHER .260 ID .500 OD .031 THK	\$2.00
3	2		1000397	NUT, HEX-NYLOCK THIN, 1/4-20NC BLK	\$2.00
4	2		1027670	SCREW, SOCKET HEAD BUTTON, 1/4-28 X 5/8	\$3.00
5	1		REF	STELLATO II TIE DOWNS FRAME ASS'Y	REF
6	2		1034631	TIE DOWN FRONT/ REAR - ALUMINUM	\$24.00
	1	A	1036904	KIT, FRONT AND REAR TIE-DOWN HOOKS WITH HARDWARE	\$60.00

NOTES:

A- TWO QTY REQUIRED PER THE CHAIR

ARMS

STELLATO II T-STYLE ARM MOUNT ASS'Y (SIMPLE)



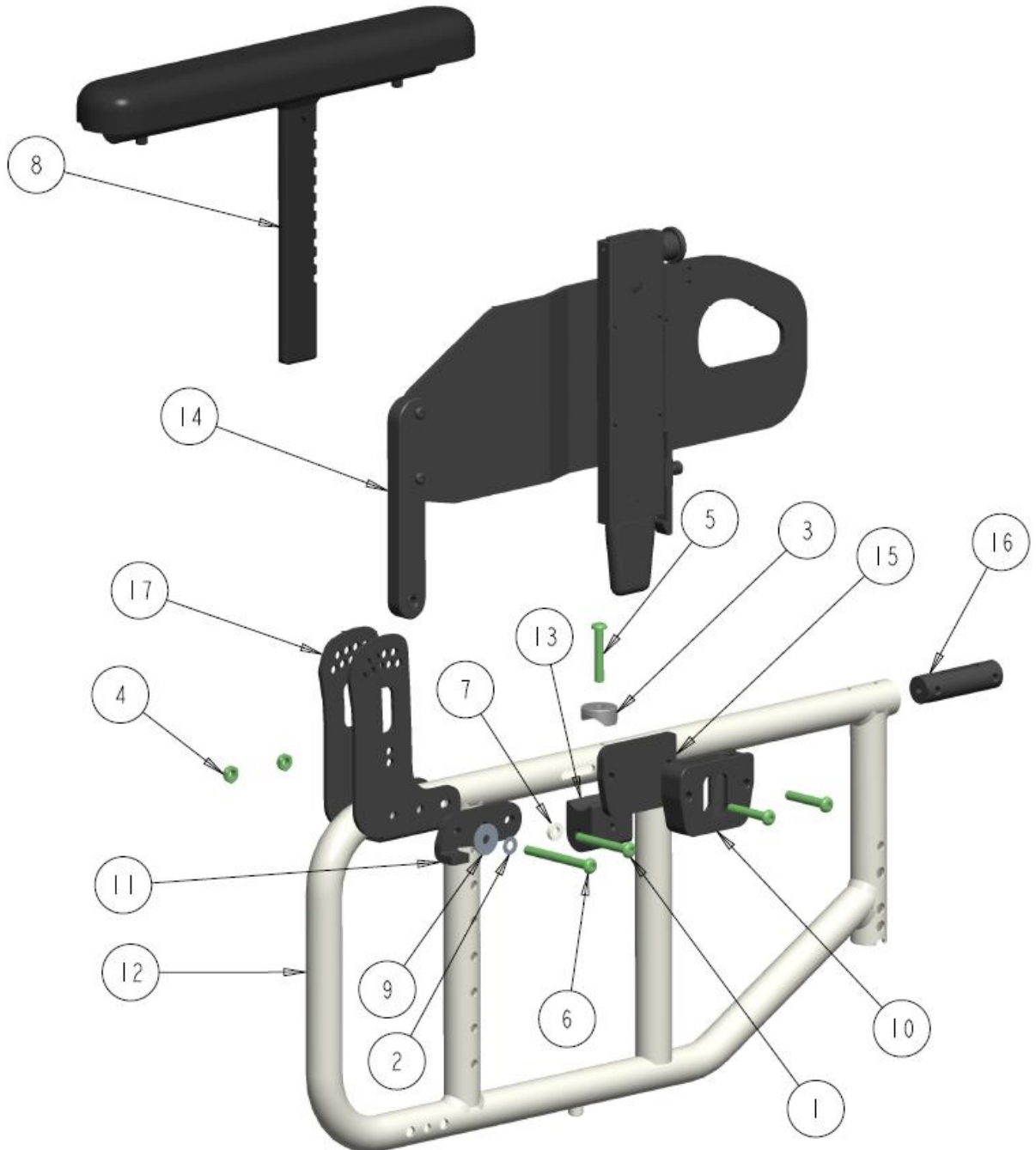
STELLATO II T-STYLE ARM MOUNT ASS'Y (SIMPLE) - TABLE

ITEM	QTY	NOTES	PART NO.	DESCRIPTION	PRICE/ PER UNIT
1	1		1000390	SPACER, COVERED 0.312 x 1.0 TUBE DIA.	\$3.50
2	3		1000493	SCREW, SOCKET HEAD BUTTON 1/4-20 X 1.50	\$3.00
3	1	A	REF	WELDED ARM-REST TOP GEN ASS'Y	REF
4	1		1033747	TAPPERED ARMREST BASE - MAIN HOUSING	\$120.00
5	1		REF	STELLATO II, SIDE FRAME, RT, 16-20"	REF
6	1		1034440	STELLATO II CROSS LINKS BLOCK	\$56.00
7	1	A	1034842	BASIC MID ARMREST ASS'Y RT- T-STYLE	\$285.00
	1	A	1034843	BASIC MID ARMREST ASS'Y LT- T-STYLE	\$285.00
8	1		1035473	BASIC ARM BASE SPACER PLATE 0.25	\$25.00
9	1		1036218	ARM BASE INSERT PLUG 1.00	\$28.00

NOTES:

A. PARTS BREAKDOWN FOUND WITHIN ARMS SECTION.

STELLATO II FLIP-BACK ARM MOUNT ASS'Y (SIMPLE)



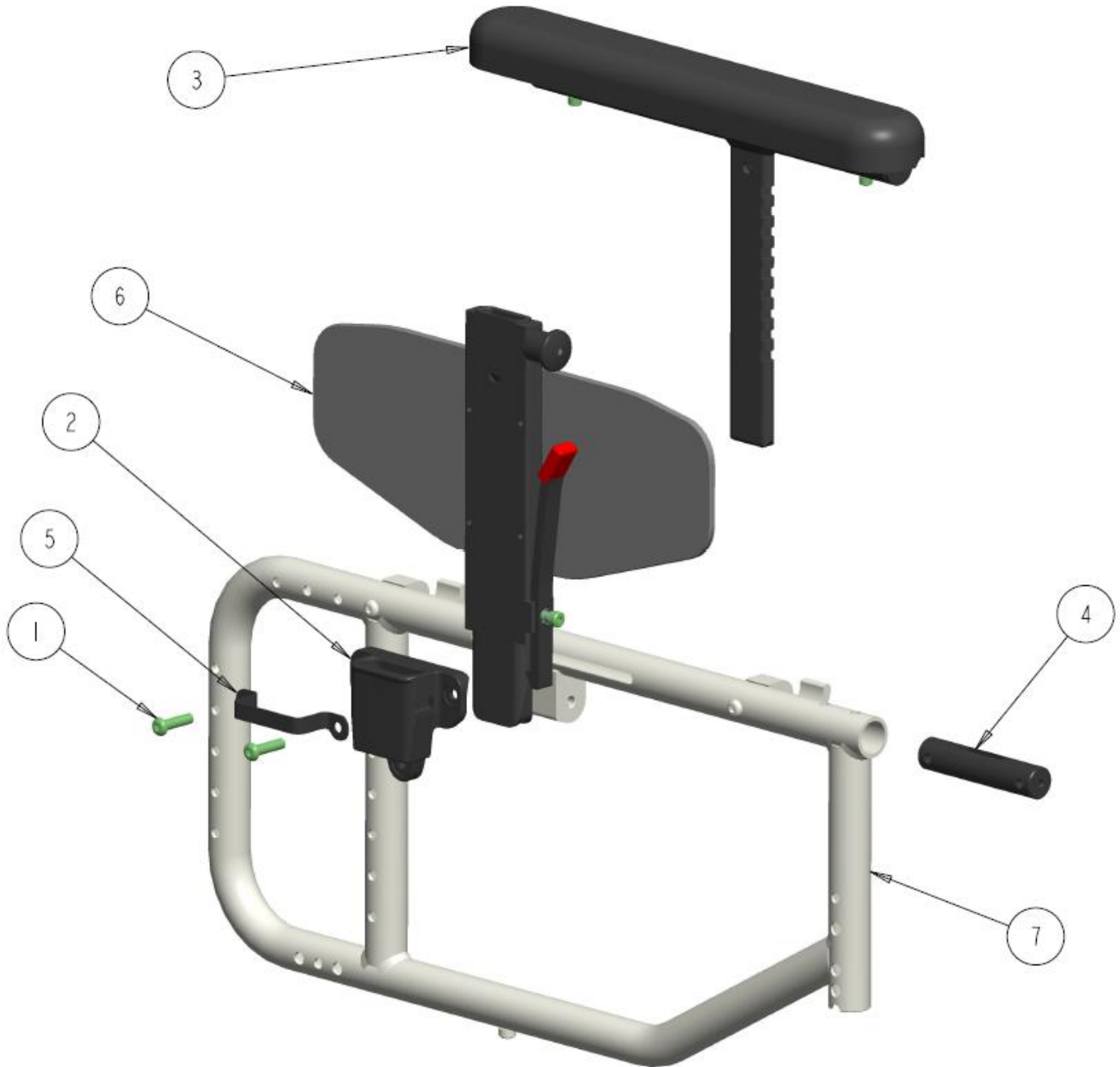
STELLATO II FLIP-BACK ARM MOUNT ASS'Y (SIMPLE) - TABLE

ITEM	QTY	NOTES	PART NO.	DESCRIPTION	PRICE/ PER UNIT
1	1		1002708	SCREW, SOCKET HEAD BUTTON 1/4-20 X 2.00	\$3.00
2	1		1000027	WASHER .260 ID .500 OD .031 THK	\$2.00
3	1		1000390	SPACER, COVERED 0.312 x 1.0 TUBE DIA.	\$3.50
4	2		1000397	NUT, HEX-NYLOCK THIN, 1/4-20NC	\$2.00
5	3		1000493	SCREW, SOCKET HEAD BUTTON 1/4-20 X 1.50	\$3.00
6	1		1001352	SCREW, SOCKET HEAD BUTTON 1/4-20 X 2.50	\$3.00
7	1		1001766	SPACER, NYLON 1/4 OD .50 ID .257 THK .125	\$2.00
8	1	A	REF	WELDED ARM-REST TOP GEN ASS'Y	REF
9	1		1033558	NYLON WASHER, ID.260 OD.870 THK.04	\$3.00
10	1		1033747	TAPERED ARMREST BASE - MAIN HOUSING	\$120.00
11	1		1034370	ORION II FLIP-BACK ARM STOPPER RT	\$30.00
			1034371	ORION II FLIP-BACK ARM STOPPER LT	\$30.00
12	1		REF	STELLATO II, SIDE FRAME, RT, 16-20"	REF
13	1		1034440	STELLATO II CROSS LINKS BLOCK	\$56.00
14	1	A	1034840	BASIC MID ARMREST ASS'Y RT- FLIPBACK	\$395.00
	1	A	1034841	BASIC MID ARMREST ASS'Y LT- FLIPBACK	\$395.00
15	1		1035473	BASIC ARM BASE SPACER PLATE 0.25	\$25.00
16	1		1036218	ARM BASE INSERT PLUG 1.00	\$28.00
17	1		1036817	STANDARD CANE MOUNT BRACKET	\$104.00

NOTES:

A. PARTS BREAKDOWN FOUND WITHIN ARMS SECTION.

STELLATO II T-STYLE ARM MOUNT ASSY (PLASTIC 3-POINT BASE)



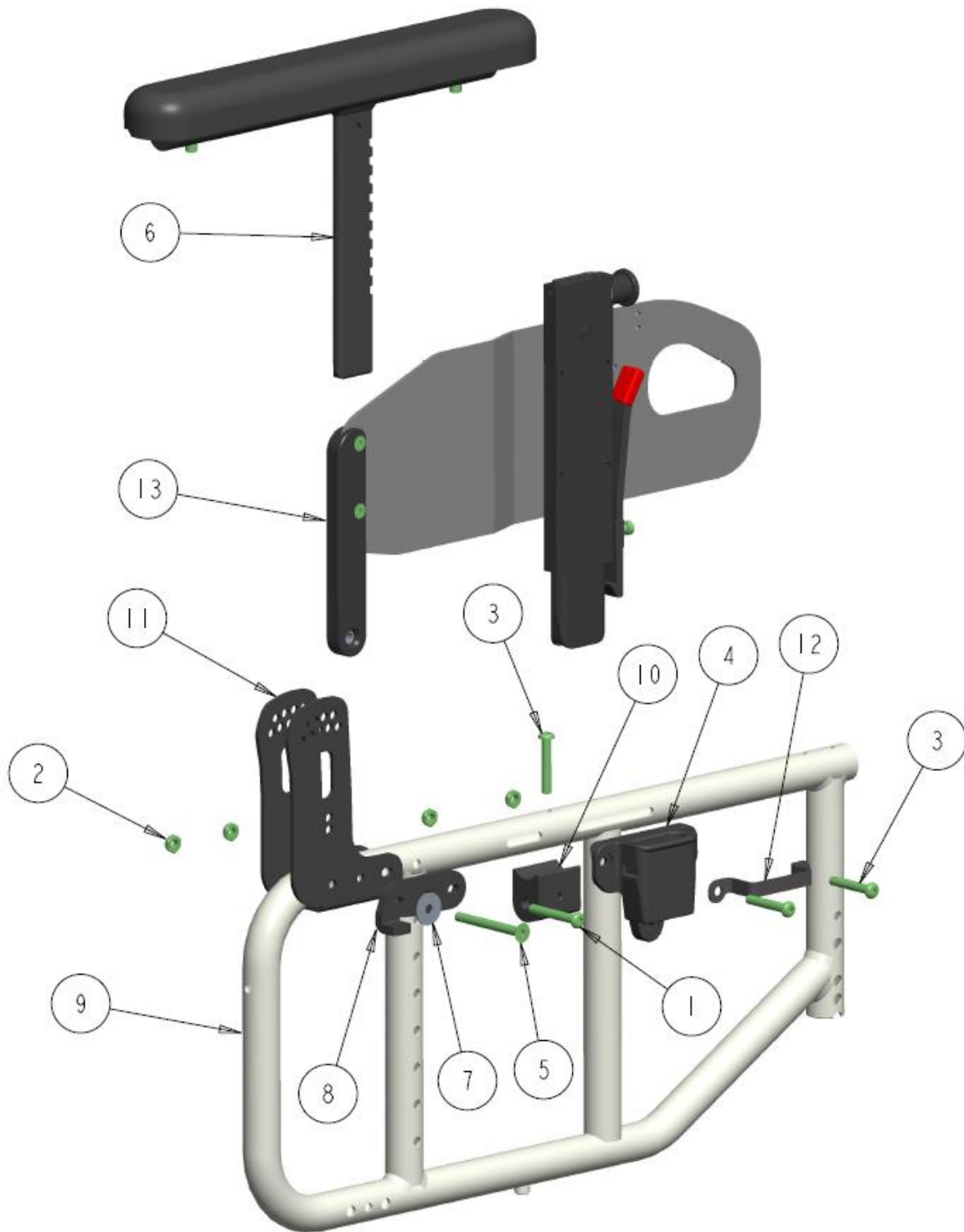
STELLATO III T-STYLE ARM MOUNT ASS'Y (PLASTIC 3-POINT BASE) - TABLE

ITEM	QTY	NOTES	PART NO.	DESCRIPTION	PRICE/ PER UNIT
1	2		1001381	SCREW, SOCKET HEAD BUTTON, 1/4-20NC X 1	\$3.00
2	1		1011236	ARM-REST BASE 3-HOLE	\$44.00
3	1	A	REF	WELDED ARM-REST TOP GEN ASS'Y	REF
4	1		1036834	ARM BASE INSERT PLUG 1.00	\$28.00
5	1		1037463	ARM-REST BASE STRAP	\$18.00
6	1	A	1037466	MID BASIC ARMREST ASS'Y RT T-STYLE	\$260.00
	1	A	1037577	MID BASIC ARMREST ASS'Y LT T-STYLE	\$260.00
7	1		REF	STELLATO II INSIDE SIDE FRAME GEN RT	REF

NOTES:

A. PARTS BREAKDOWN FOUND WITHIN ARMS SECTION.

STELLATO II FLIP-BACK ARM MOUNT ASS'Y (PLASTIC 3-POINT BASE) - SIMPLE BACKCANE



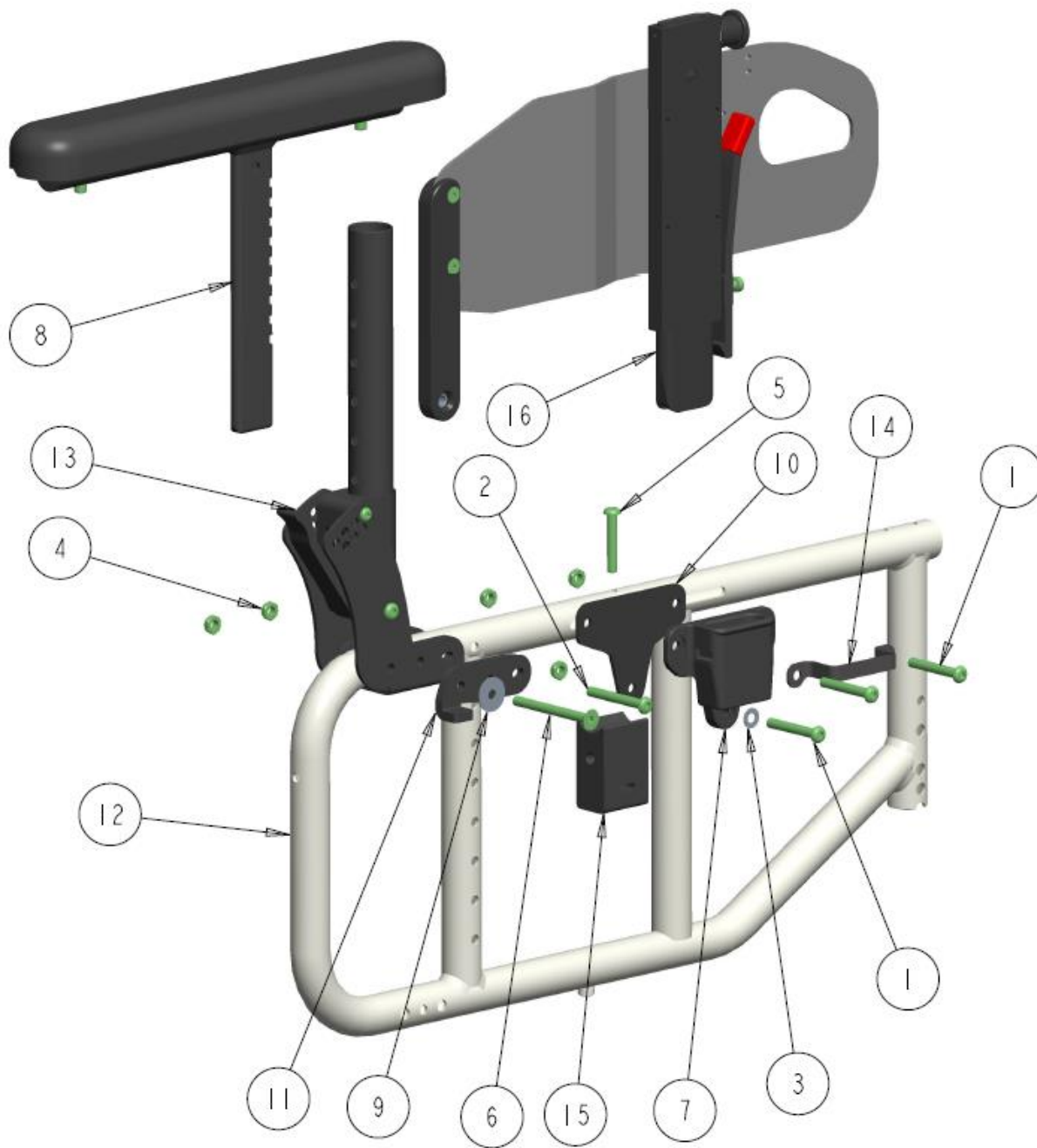
STELLATO II FLIP-BACK ARM MOUNT ASS'Y (PLASTIC 3-POINT BASE) - SIMPLE BACKCANE - TABLE

ITEM	QTY	NOTES	PART NO.	DESCRIPTION	PRICE/ PER UNIT
1	1		1000783	SCREW, SOCKET HEAD BUTTON 1/4-20 X 1.75	\$3.00
2	4		1000397	NUT, HEX-NYLOCK THIN, 1/4-20NC	\$2.00
3	3		1000493	SCREW, SOCKET HEAD BUTTON 1/4-20 X 1.50	\$3.00
4	1		1014251	SCREW, FLAT HEAD SOCKET #1/4-20 X 2.50	\$3.00
5	1	A	REF	WELDED ARM-REST TOP GEN ASS'Y	REF
6	1		1033558	NYLON WASHER, ID.260 OD.870 THK.04	\$3.00
7	1		1034370	ORION II FLIP-BACK ARM STOPPER RT	\$30.00
8	1		REF	STELLATO II, INSIDE SIDE FRAME, RT, 16-20"	REF
9	1		1034440	STELLATO II INSIDE CROSS LINKS BLOCK	\$56.00
10	1		1036817	STANDARD CANE MOUNT BRACKET	\$104.00
11	1		1037476	ARM-REST BASE STRAP	\$20.00
12	1		1037477	PLASTIC ARM-REST BASE 2-HOLE	\$44.00
13	1	A	1037544	MID BASIC ARMREST ASS'Y RT FLIP	\$300.00
	1	A	1037547	MID BASIC ARMREST ASS'Y LT FLIP	\$300.00

NOTES:

A. PARTS BREAKDOWN FOUND WITHIN ARMS SECTION.

STELLATO II FLIP-BACK ARM MOUNT ASS'Y (PLASTIC 3-POINT BASE) - PADDLE BACKCANE



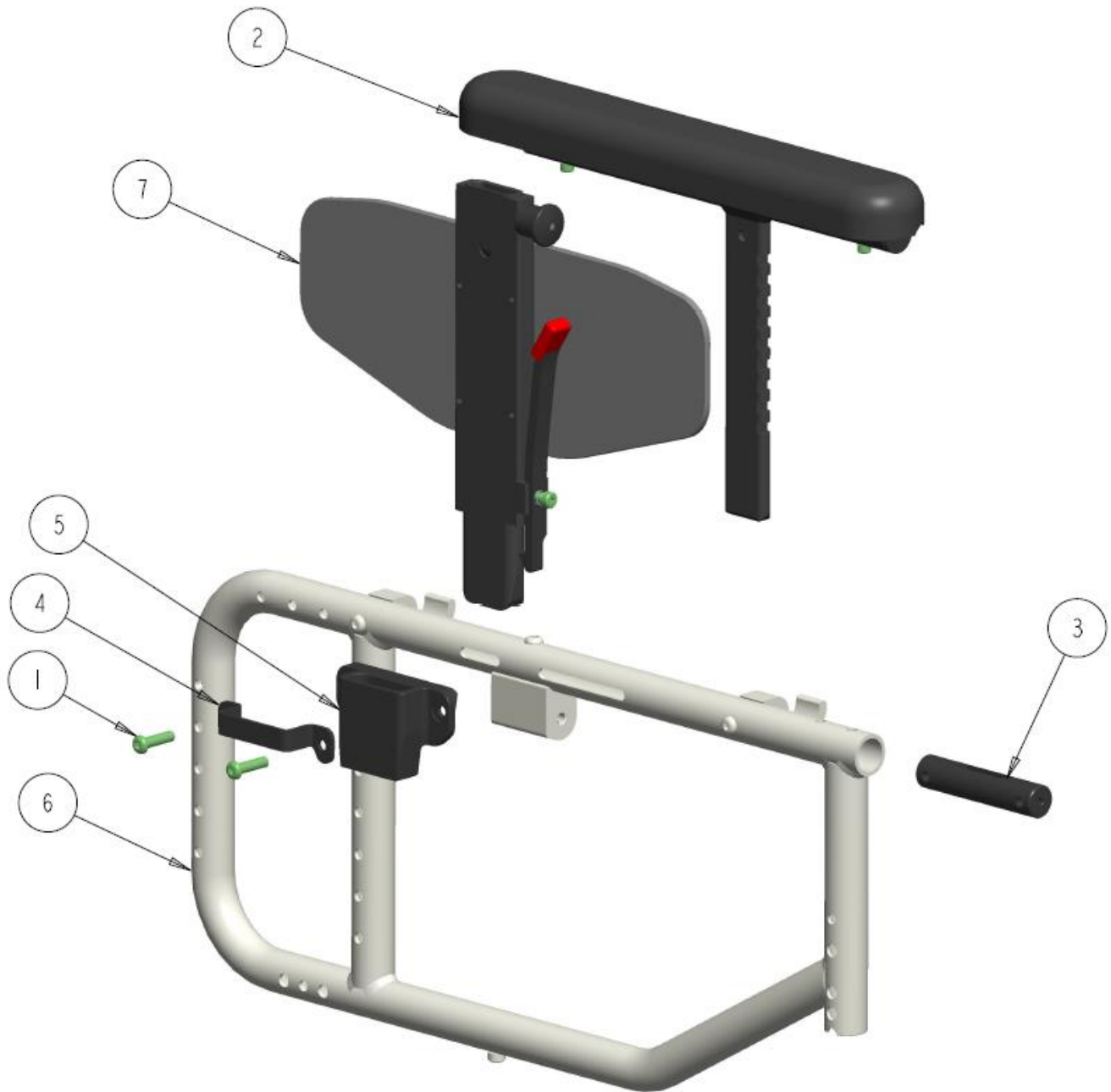
**STELLATO II FLIP-BACK ARM MOUNT ASS'Y (PLASTIC 3-POINT BASE) - PADDLE
BACKCANE - TABLE**

ITEM	QTY	NOTES	PART NO.	DESCRIPTION	PRICE/ PER UNIT
1	3		1000783	SCREW, SOCKET HEAD BUTTON 1/4-20 X 1.75	\$3.00
2	1		1002708	SCREW, SOCKET HEAD BUTTON 1/4-20 X 2.00	\$3.00
3	1		1000027	WASHER .260 ID .500 OD .031 THK	\$2.00
4	5		1000397	NUT, HEX-NYLOCK THIN, 1/4-20NC	\$2.00
5	1		1000493	SCREW, SOCKET HEAD BUTTON 1/4-20 X 1.50	\$3.00
6	1		1006348	SCREW, FLAT HEAD SOCKET #1/4-20 X 2.75	\$3.00
7	1		1011236	ARM-REST BASE 3-HOLE	\$44.00
8	1	A	REF	WELDED ARM-REST TOP GEN ASS'Y	REF
9	1		1033558	NYLON WASHER, ID.260 OD.870 THK.04	\$3.00
10	1		1034369	BASE RECEIVER SPACER PLATE	\$14.00
11	1		1034370	ORION II FLIP-BACK ARM STOPPER RT	\$30.00
12	1		REF	STELLATO II, INSIDE SIDE FRAME, RT, 16-20"	REF
13	1		1036845	PADDLE FLIP-DOWN BACKCANE BRACKET	\$430.00
14	1		1037463	ARM-REST BASE STRAP	\$18.00
15	1		1037469	STELLATO II CROSS LINKS BLOCK - LONG	\$64.00
16	1	A	1037478	MID BASIC ARMREST ASS'Y RT FLIP	\$300.00
	1	A	1037479	MID BASIC ARMREST ASS'Y LT FLIP	\$300.00

NOTES:

A. PARTS BREAKDOWN FOUND WITHIN ARMS SECTION.

STELLATO II T-STYLE ARM MOUNT ASSY (PLASTIC 2-POINT BASE)



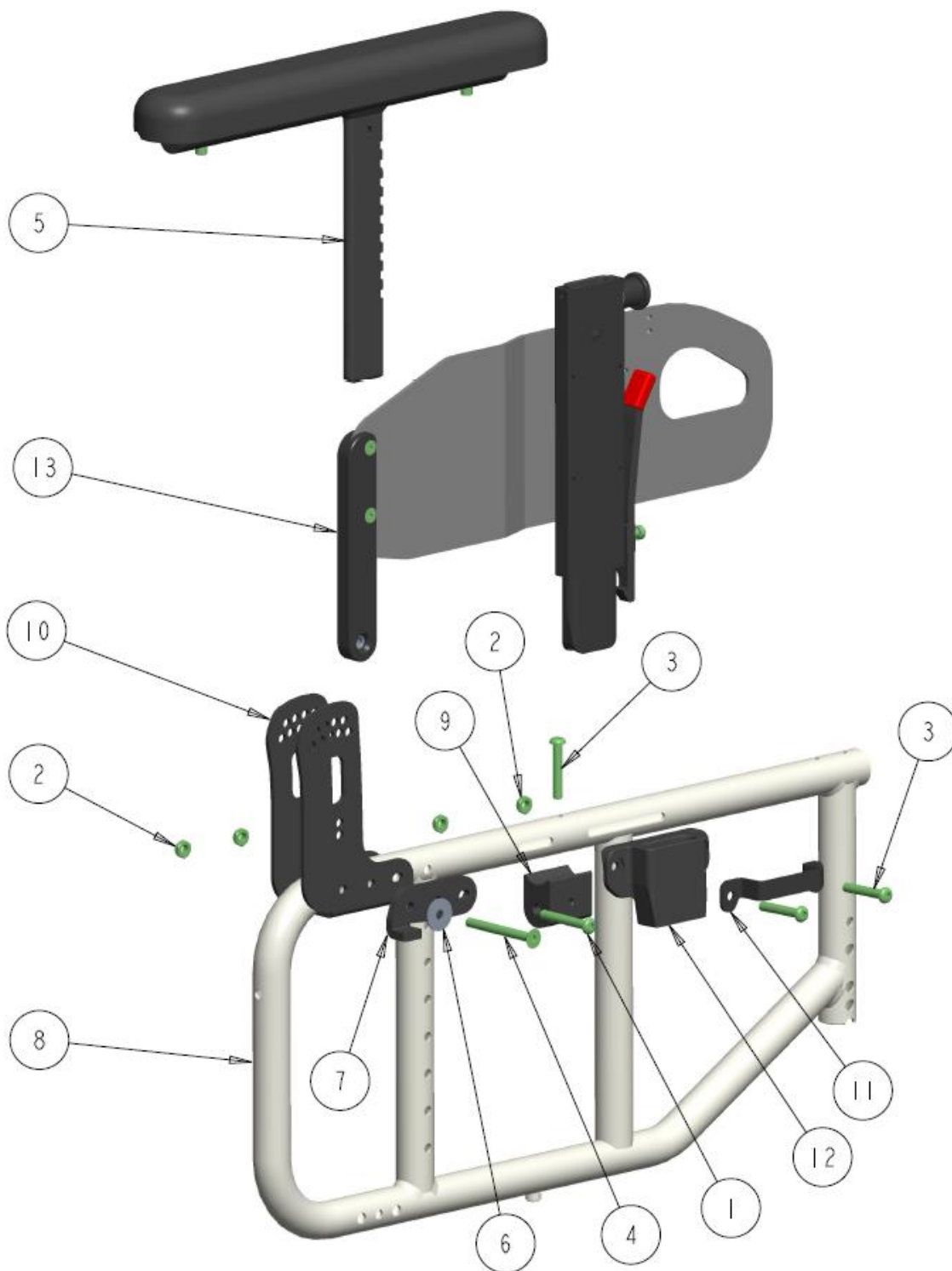
STELLATO II T-STYLE ARM MOUNT ASS'Y (PLASTIC 2-POINT BASE) – TABLE

ITEM	QTY	NOTES	PART NO.	DESCRIPTION	PRICE/ PER UNIT
1	2		1001381	SCREW, SOCKET HEAD BUTTON, 1/4-20NC X 1	\$3.00
2	1	A	REF	WELDED ARM-REST TOP GEN ASS'Y	REF
3	1		1036834	ARM BASE INSERT PLUG 1.00	\$28.00
4	1		1037476	ARM-REST BASE STRAP	\$20.00
5	1		1037477	PLASTIC ARM-REST BASE 2-HOLE	\$44.00
6	1		REF	STELLATO II INSIDE SIDE FRAME GEN RT	REF
7	1	A	1037543	MID BASIC ARMREST ASS'Y RT T-STYLE	\$260.00
	1	A	1037546	MID BASIC ARMREST ASS'Y LT T-STYLE	\$260.00

NOTES:

A. PARTS BREAKDOWN FOUND WITHIN ARMS SECTION.

STELLATO II FLIP-BACK ARM MOUNT ASS'Y (PLASTIC 2-POINT BASE) - SIMPLE BACKCANE



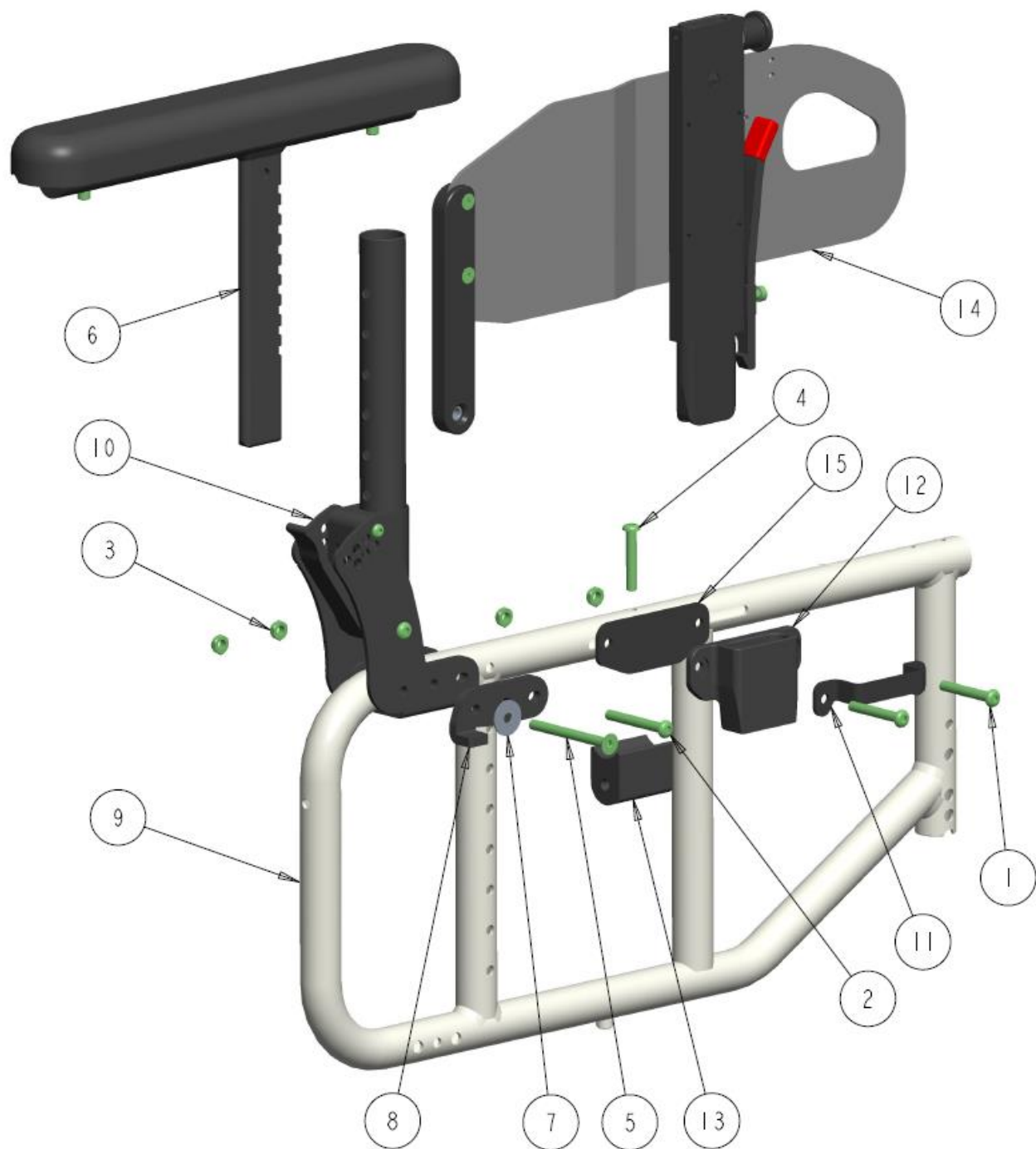
STELLATO II FLIP-BACK ARM MOUNT ASS'Y (PLASTIC 2-POINT BASE) - SIMPLE BACKCANE – TABLE

ITEM	QTY	NOTES	PART NO.	DESCRIPTION	PRICE/ PER UNIT
1	1		1000783	SCREW, SOCKET HEAD BUTTON 1/4-20 X 1.75	\$3.00
2	4		1000397	NUT, HEX-NYLOCK THIN, 1/4-20NC	\$2.00
3	3		1000493	SCREW, SOCKET HEAD BUTTON 1/4-20 X 1.50	\$3.00
4	1		1014251	SCREW, FLAT HEAD SOCKET #1/4-20 X 2.50	\$3.00
5	1	A	REF	WELDED ARM-REST TOP GEN ASS'Y	REF
6	1		1033558	NYLON WASHER, ID.260 OD.870 THK.04	\$3.00
7	1		1034370	ORION II FLIP-BACK ARM STOPPER RT	\$30.00
8	1		REF	STELLATO II, INSIDE SIDE FRAME, RT, 16-20"	REF
9	1		1034440	STELLATO II INSIDE CROSS LINKS BLOCK	\$56.00
10	1		1036817	STANDARD CANE MOUNT BRACKET	\$104.00
11	1		1037476	ARM-REST BASE STRAP	\$20.00
12	1		1037477	PLASTIC ARM-REST BASE 2-HOLE	\$44.00
13	1	A	1037544	MID BASIC ARMREST ASS'Y RT FLIP	\$300.00
	1	A	1037547	MID BASIC ARMREST ASS'Y LT FLIP	\$300.00

NOTES:

A. PARTS BREAKDOWN FOUND WITHIN ARMS SECTION.

STELLATO II FLIP-BACK ARM MOUNT ASS'Y (PLASTIC 2-POINT BASE) - PADDLE BACKCANE



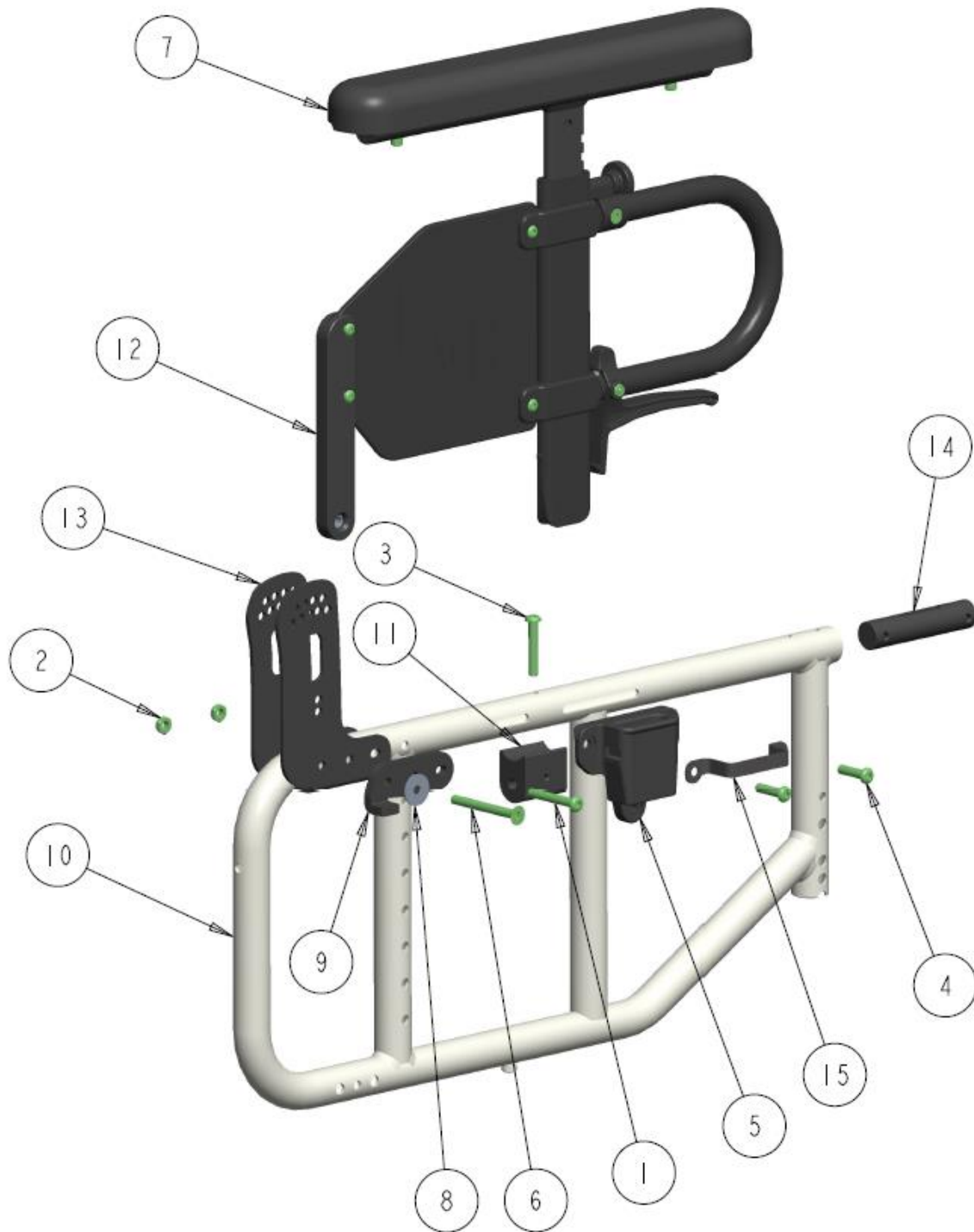
STELLATO II FLIP-BACK ARM MOUNT ASS'Y (PLASTIC 2-POINT BASE) - PADDLE BACKCANE - TABLE

ITEM	QTY	NOTES	PART NO.	DESCRIPTION	PRICE/ PER UNIT
1	2		1000783	SCREW, SOCKET HEAD BUTTON 1/4-20 X 1.75	\$3.00
2	1		1002708	SCREW, SOCKET HEAD BUTTON 1/4-20 X 2.00	\$3.00
3	4		1000397	NUT, HEX-NYLOCK THIN, 1/4-20NC	\$2.00
4	1		1000493	SCREW, SOCKET HEAD BUTTON 1/4-20 X 1.50	\$3.00
5	1		1006348	SCREW, FLAT HEAD SOCKET #1/4-20 X 2.75	\$3.00
6	1	A	REF	WELDED ARM-REST TOP GEN ASS'Y	REF
7	1		1033558	NYLON WASHER, ID.260 OD.870 THK.04	\$3.00
8	1		1034370	ORION II FLIP-BACK ARM STOPPER RT	\$30.00
9	1		REF	STELLATO II, INSIDE SIDE FRAME, RT, 16-20"	REF
10	1		1036845	PADDLE FLIP-DOWN BACKCANE BRACKET	\$430.00
11	1		1037476	ARM-REST BASE STRAP	\$20.00
12	1		1037477	PLASTIC ARM-REST BASE 2-HOLE	\$44.00
13	1		1037511	STELLATO II CROSS LINKS BLOCK	\$52.00
14	1	A	1037544	MID BASIC ARMREST ASS'Y RT FLIP	\$300.00
	1	A	1037547	MID BASIC ARMREST ASS'Y LT FLIP	\$300.00
15	1		1037580	BASE RECEIVER SPACER PLATE	\$12.00

NOTES:

A. PARTS BREAKDOWN FOUND WITHIN ARMS SECTION.

STELLATO II FLIP-BACK ARM MOUNT ASS'Y (PLASTIC BASE) – UNDER LEVER



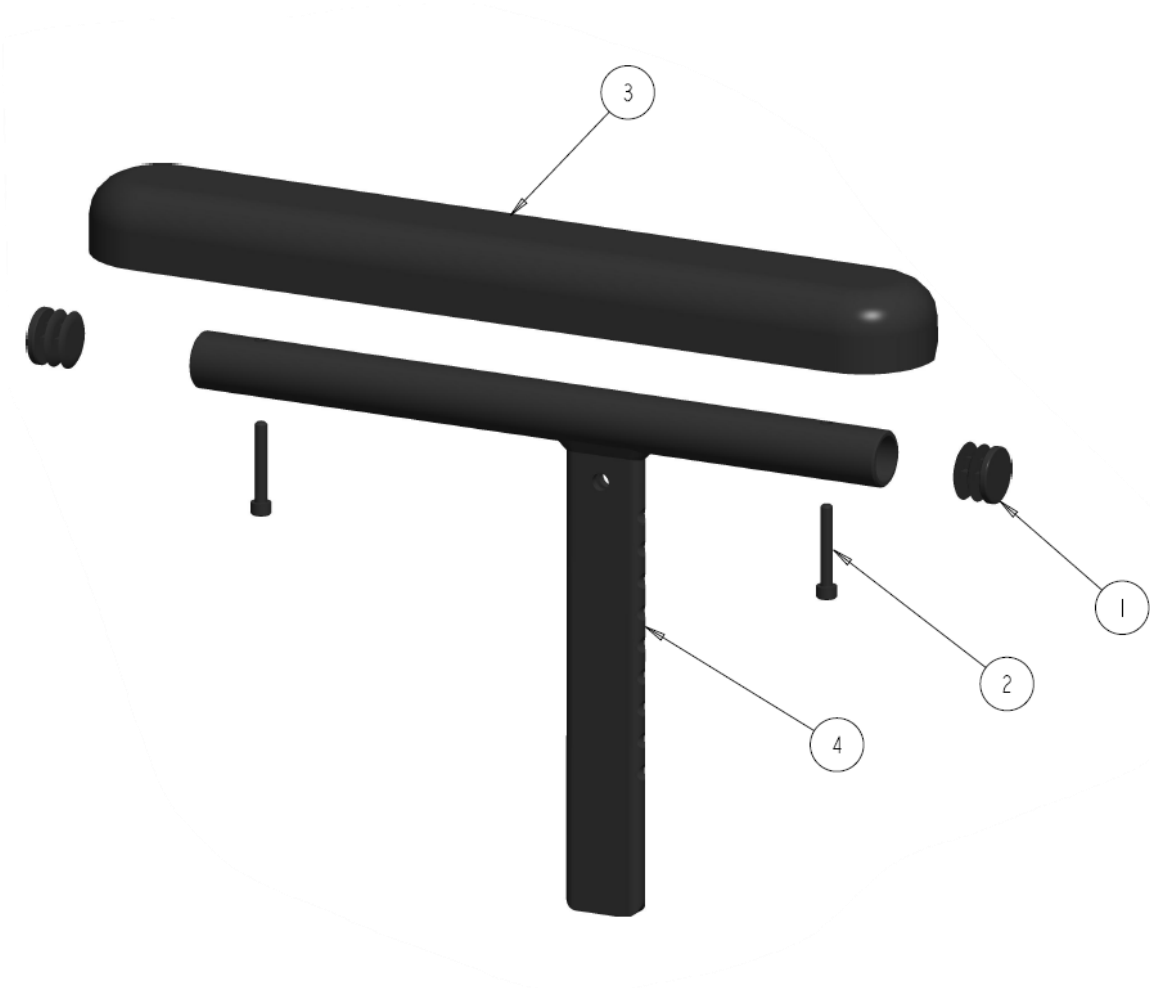
**STELLATO II FLIP-BACK ARM MOUNT ASS'Y (PLASTIC BASE) – UNDER LEVER –
TABLE**

ITEM	QTY	NOTES	PART NO.	DESCRIPTION	PRICE/ PER UNIT
1	1		1000783	SCREW, SOCKET HEAD BUTTON 1/4-20 X 1.75	\$3.00
2	2		1000397	NUT, HEX-NYLOCK THIN, 1/4-20NC	\$2.00
3	1		1000493	SCREW, SOCKET HEAD BUTTON 1/4-20 X 1.50	\$3.00
4	2		1001381	SCREW, SOCKET HEAD BUTTON, 1/4-20NC X 1	\$3.00
5	1		1011236	ARM-REST BASE 3-HOLE	\$44.00
6	1		1014251	SCREW, FLAT HEAD SOCKET #1/4-20 X 2.50	\$3.00
7	1	A	REF	WELDED ARM-REST TOP GEN ASS'Y	REF
8	1		1033558	NYLON WASHER, ID.260 OD.870 THK.04	\$3.00
9	1		1034370	ORION II FLIP-BACK ARM STOPPER RT	\$30.00
10	1		REF	STELLATO II, INSIDE SIDE FRAME, RT, 16-20"	REF
11	1		1034440	STELLATO II INSIDE CROSS LINKS BLOCK	\$56.00
12	1	A	1035926	MID ARMREST FLIP-BACK - UNDER LEVER	\$330.00
13	1		1036817	STANDARD CANE MOUNT BRACKET	\$104.00
14	1		1036834	ARM BASE INSERT PLUG 1.00	\$28.00
15	1		1037463	ARM-REST BASE STRAP	\$18.00

NOTES:

A. PARTS BREAKDOWN FOUND WITHIN ARMS SECTION.

FMH STANDARD ARMREST TOP GENERAL ASSEMBLY

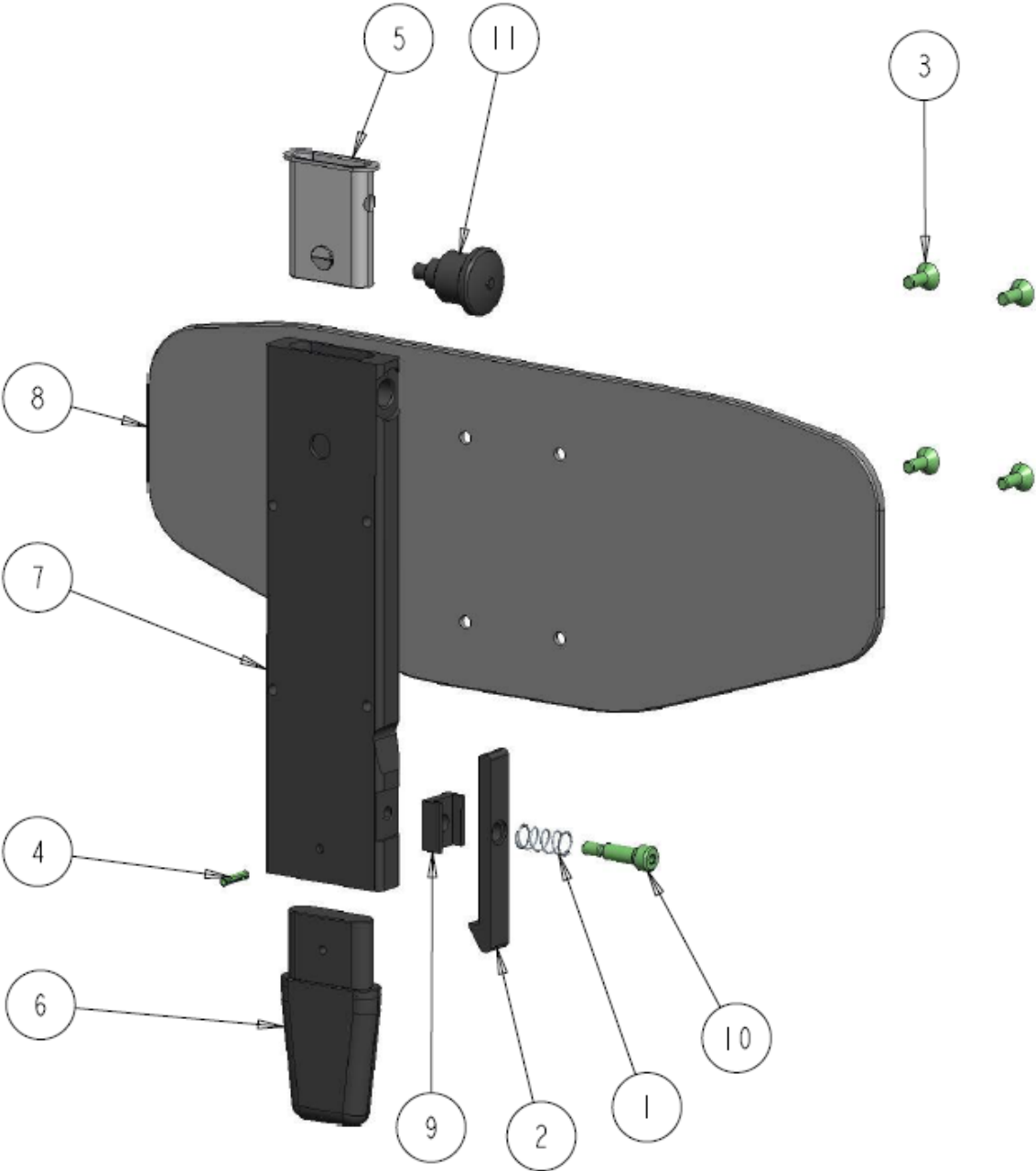


FMH STANDARD ARMREST TOP GENERAL ASSEMBLY – TABLE

ITEM	QTY	NOTES	PART NO.	DESCRIPTION	PRICE/ PER UNIT
1	2		1000421	PLUG, UNIVERSAL BLACK 0.875 ROUND	\$2.50
2	2		1003348	SCREW, SOCKET HEAD CAP, 10-32NF X 1 1/8	\$3.00
3	1		1004179	ARMPAD FULL LENGTH VINYL	\$35.00
	1		1005002	DESK LENGTH VINYL ARMPAD	\$30.00
	1		1002538	CURVED ARMPAD WITH INSERT FOAM RT	\$75.00
	1		1002539	CURVED ARMPAD WITH INSERT FOAM LT	\$75.00
	1		1012656	WIDE GEL ARMPAD RT	\$100.00
	1		1012663	WIDE GEL ARMPAD LT	\$100.00
4	1		1032071	ARM-REST TOP, ARMPAD TUBE FULL LENGTH	\$120.00
	1		1032070	ARM-REST TOP, ARMPAD TUBE DESK LENGTH	\$115.00
	1		1032072	ARM-REST TOP, ARMPAD TUBE CURVED FULL LENGTH	\$130.00
	1		1034499	KIT, COMPLETE ARMREST TOP DESK LENGTH VINYL RT	\$150.00
	1		1034500	KIT, COMPLETE ARMREST TOP DESK LENGTH VINYL LT	\$150.00
	1		1034501	KIT, COMPLETE ARMREST TOP FULL LENGTH VINYL RT	\$160.00
	1		1034502	KIT, COMPLETE ARMREST TOP FULL LENGTH VINYL LT	\$160.00
	1		1034503	KIT, COMPLETE ARMREST TOP CURVED FOAM INSERT RT	\$210.00
	1		1034504	KIT, COMPLETE ARMREST TOP CURVED FOAM INSERT LT	\$210.00
	1		1034507	KIT, COMPLETE ARMREST TOP WIDE GEL ARMPAD RT	\$235.00
	1		1034508	KIT, COMPLETE ARMREST TOP WIDE GEL ARMPAD LT	\$235.00

NOTES:

BASIC MID ARMREST ASS'Y RT- T-STYLE (PUSH RELEASE)

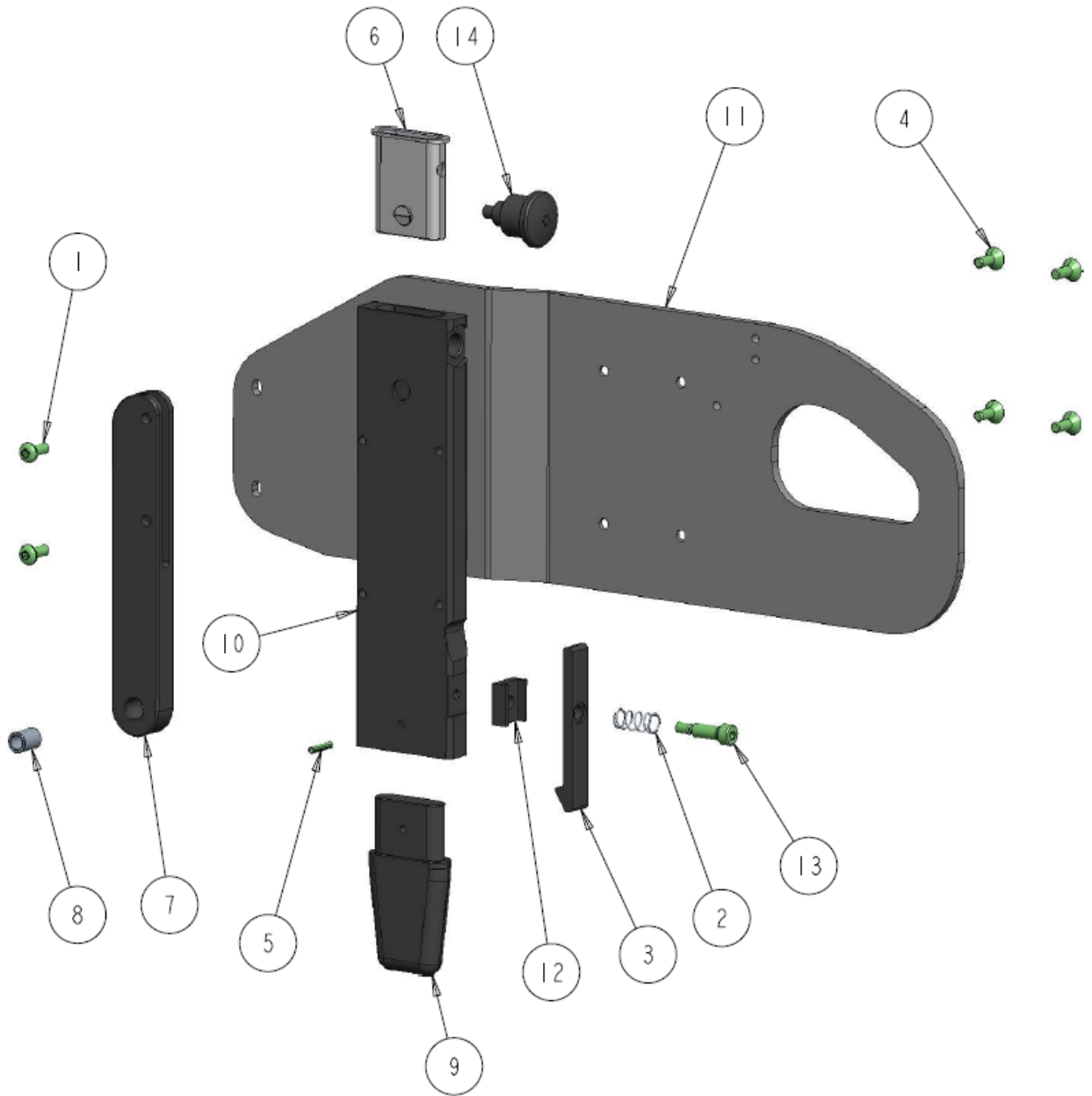


BASIC MID ARMREST ASS'Y RT- T-STYLE (PUSH RELEASE) - TABLE

ITEM	QTY	NOTES	PART NO.	DESCRIPTION	PRICE/ PER UNIT
1	1		1001727	SPRING, COMP .36 OD X .75 LG .032 WIRE	\$3.00
2	1		1011297	RELEASE LEVER ALUMINUM	\$10.00
3	4		1028477	SCREW, FLAT HEAD SOCKET #10/32NF X 1/2	\$3.00
4	1		1030413	PIN, SPRING, STD. DIA. 1/8 X .560	\$3.00
5	1		1032062	ARM-REST MID, GLIDE INSERT FULL	\$10.00
6	1		1033746	ARMREST LOWER GUIDE TAPERED	\$35.00
7	1		1034772	SIMPLE MID-ARM MAIN TUBE - OVAL	\$120.00
8	1		1034835	ARM GUARD ADULT 4-HOLE	\$70.00
9	1		1034848	MOUNTING BLOCK PUSH LEVER	\$8.00
10	1		1034849	SCREW, SOCKET SHOULDER DIA.250 X .625	\$3.00
11	1		1036072	RELEASE KNOB PLUNGER ASS'Y	\$15.00
	1		1036910	KIT, COMPLETE BASIC MID ARMREST T-STYLE ASS'Y / HARDWARE RT	\$265.00
	1		1036911	KIT, COMPLETE BASIC MID ARMREST T-STYLE ASS'Y / HARDWARE LT	\$265.00

NOTES:

BASIC MID ARMREST ASS'Y RT- FLIPBACK (PUSH RELEASE)

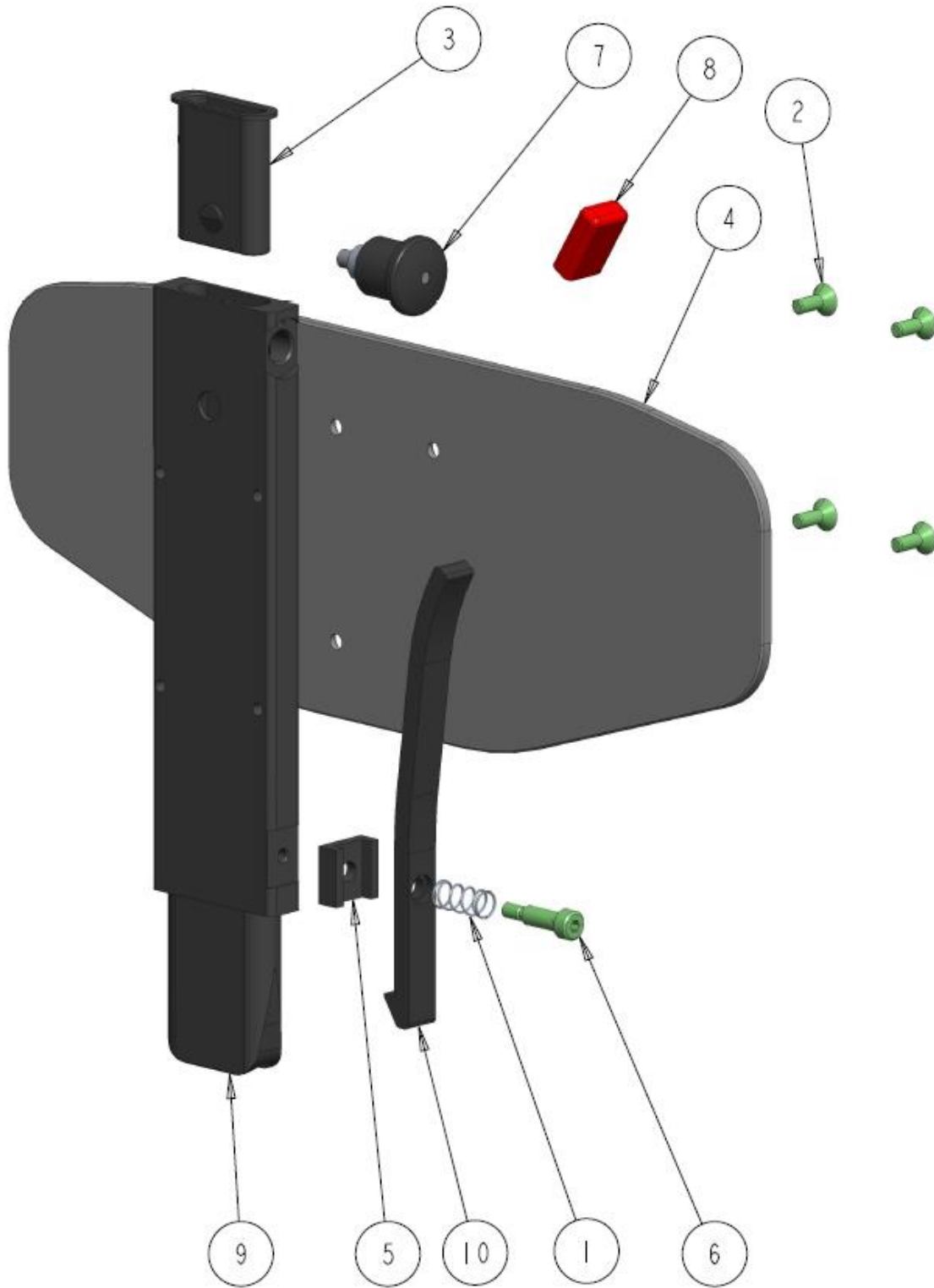


BASIC MID ARMREST ASS'Y RT- FLIPBACK (PUSH RELEASE) – TABLE

ITEM	QTY	NOTES	PART NO.	DESCRIPTION	PRICE/ PER UNIT
1	2		1001212	SCREW, SOCKET HEAD BUTTON, #10-32NF X 1/2	\$3.00
2	1		1001727	SPRING, COMP .36 OD X .75 LG .032 WIRE	\$3.00
3	1		1011297	RELEASE LEVER ALUMINUM	\$10.00
4	4		1028477	SCREW, FLAT HEAD SOCKET #10/32NF X 1/2	\$3.00
5	1		1030413	PIN, SPRING, STD. DIA. 1/8 X .560	\$3.00
6	1		1032062	ARM-REST MID, GLIDE INSERT FULL	\$10.00
7	1		1033555	ROTATION ARM FLIP BAR RT	\$30.00
	1		1033556	ROTATION ARM FLIP BAR LT	\$30.00
8	1		1033557	INSERT BUSHING ROTATION ARM	\$5.00
9	1		1033746	ARMREST LOWER GUIDE TAPERED	\$35.00
10	1		1034772	SIMPLE MID-ARM MAIN TUBE - OVAL	\$120.00
11	1		1034846	BASIC FLIP-BACK ARM GUARD RT	\$85.00
	1		1034847	BASIC FLIP-BACK ARM GUARD LT	\$85.00
12	1		1034848	MOUNTING BLOCK PUSH LEVER	\$8.00
13	1		1034849	SCREW, SOCKET SHOULDER DIA.250 X .625	\$3.00
14	1		1036072	RELEASE KNOB PLUNGER ASS'Y	\$15.00
	1		1036912	KIT, COMPLETE BASIC MID ARMREST FLIP-BACK ASS'Y - RT	\$310.00
	1		1036913	KIT, COMPLETE BASIC MID ARMREST FLIP-BACK ASS'Y- LT	\$310.00

NOTES:

BASIC MID ARMREST ASS'Y RT – T-STYLE (3-POINT PLASTIC RECEIVER)

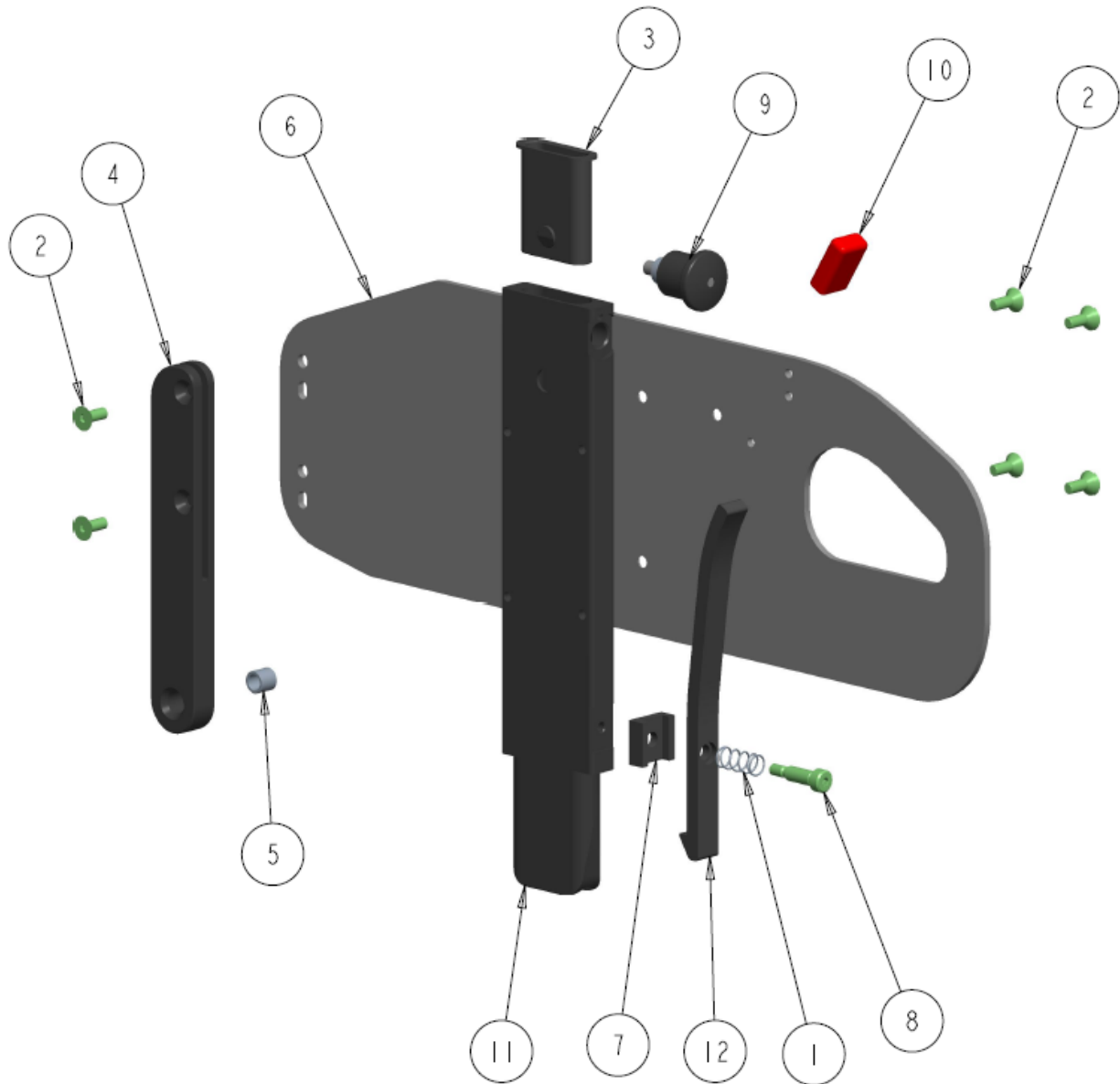


BASIC MID ARMREST ASS'Y RT- FLIPBACK (PLASTIC RECEIVER) – TABLE

ITEM	QTY	NOTES	PART NO.	DESCRIPTION	PRICE/ PER UNIT
1	1		1001727	SPRING, COMP .36 OD X .75 LG .032 WIRE	\$3.00
2	4		1028477	SCREW, FLAT HEAD SOCKET #10/32NF X 1/2	\$3.00
3	1		1032062	ARM-REST MID, GLIDE INSERT FULL	\$10.00
4	1		1034835	ARM GUARD ADULT 4-HOLE	\$70.00
5	1		1034848	MOUNTING BLOCK PUSH LEVER	\$8.00
6	1		1034849	SCREW, SOCKET SHOULDER DIA.250 X .625	\$3.00
7	1		1036072	RELEASE KNOB PLUNGER ASS'Y	\$15.00
8	1		1036889	RECT VYNIL GRIP .50 X .187 X 1.0	\$5.00
9	1		1037467	MAIN VERTICAL TUBE - MACHINED	\$140.00
10	1		1037539	EXTENDED RELEASE LEVER	\$20.00
	1		1037702	KIT, COMPLETE BASIC MID ARMREST T-STYLE ASS'Y (3-POINT) RT	\$270.00
	1		1037703	KIT, COMPLETE BASIC MID ARMREST T-STYLE ASS'Y (3-POINT) LT	\$270.00

NOTES:

BASIC MID ARMREST ASS'Y RT-FLIPBACK (3-POINT PLASTIC RECEIVER)

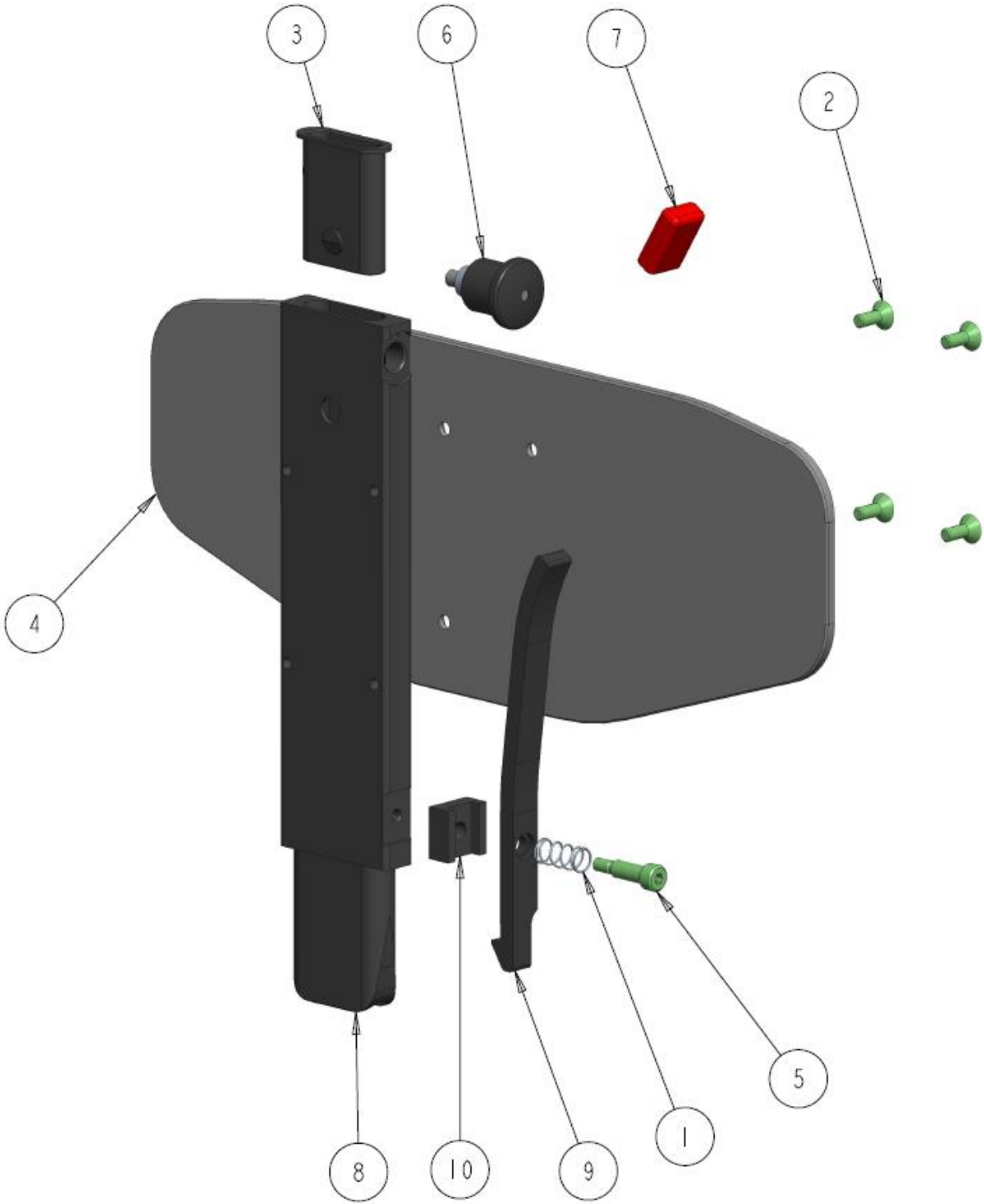


BASIC MID ARMREST ASS'Y RT-FLIPBACK (3-POINT PLASTIC RECEIVER)

ITEM	QTY	NOTES	PART NO.	DESCRIPTION	PRICE/ PER UNIT
1	1		1001727	SPRING, COMP .36 OD X .75 LG .032 WIRE	\$3.00
2	6		1028477	SCREW, FLAT HEAD SOCKET #10/32NF X 1/2	\$3.00
3	1		1032062	ARM-REST MID, GLIDE INSERT FULL	\$10.00
4	1		1033555	ROTATION ARM FLIP BAR RT	\$30.00
	1		1033556	ROTATION ARM FLIP BAR LT	\$30.00
5	1		1033557	INSERT BUSHING ROTATION ARM	\$5.00
6	1		1034846	BASIC FLIP-BACK ARM GUARD RT	\$85.00
	1		1034847	BASIC FLIP-BACK ARM GUARD LT	\$85.00
7	1		1034848	MOUNTING BLOCK PUSH LEVER	\$8.00
8	1		1034849	SCREW, SOCKET SHOULDER DIA.250 X .625	\$3.00
9	1		1036072	RELEASE KNOB PLUNGER ASS'Y	\$15.00
10	1		1036889	RECT VYNIL GRIP .50 X .187 X 1.0	\$5.00
11	1		1037467	MAIN VERTICAL TUBE - MACHINED	\$140.00
12	1		1037539	EXTENDED RELEASE LEVER	\$20.00
	1		1037704	KIT, COMPLETE BASIC MID ARMREST FLIPBACK ASS'Y (3-POINT) RT	\$320.00
	1		1037705	KIT, COMPLETE BASIC MID ARMREST FLIPBACK ASS'Y (3-POINT) LT	\$320.00

NOTES:

BASIC MID ARMREST ASS'Y RT - T-STYLE (2-POINT PLASTIC RECEIVER)

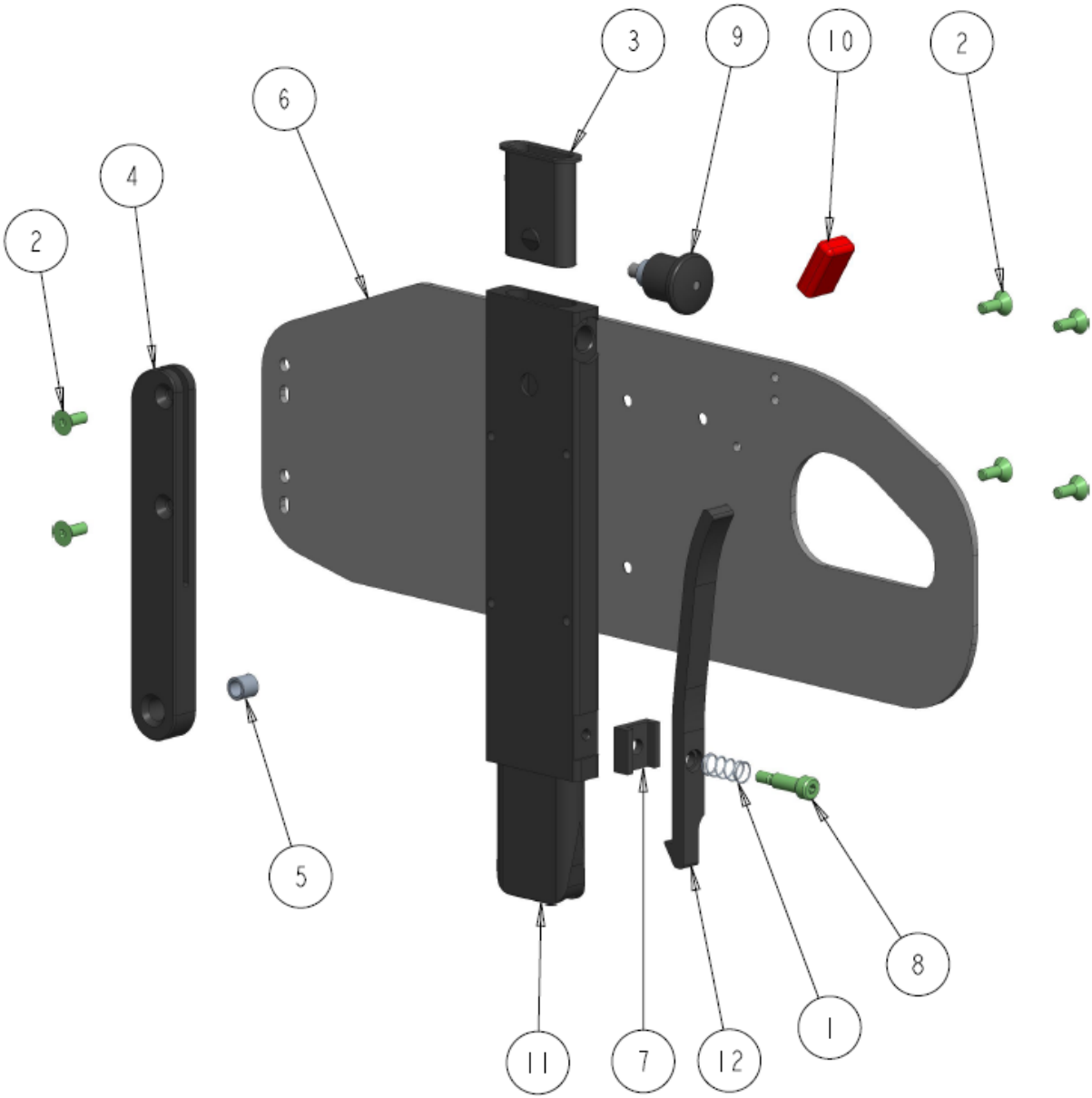


BASIC MID ARMREST ASS'Y RT - (2-POINT PLASTIC RECEIVER)

ITEM	QTY	NOTES	PART NO.	DESCRIPTION	PRICE/ PER UNIT
1	1		1001727	SPRING, COMP .36 OD X .75 LG .032 WIRE	\$3.00
2	4		1028477	SCREW, FLAT HEAD SOCKET #10/32NF X 1/2	\$3.00
3	1		1032062	ARM-REST MID, GLIDE INSERT FULL	\$10.00
4	1		1034835	ARM GUARD ADULT 4-HOLE	\$70.00
5	1		1034849	SCREW, SOCKET SHOULDER DIA.250 X .625	\$3.00
6	1		1036072	RELEASE KNOB PLUNGER ASS'Y	\$15.00
7	1		1036889	RECT VYNIL GRIP .50 X .187 X 1.0	\$5.00
8	1		1037467	MAIN VERTICAL TUBE - MACHINED	\$140.00
9	1		1037540	EXTENDED RELEASE LEVER RT	\$28.00
	1		1037541	EXTENDED RELEASE LEVER LT	\$28.00
10	1		1037545	MOUNTING BLOCK 2-POINT	\$8.00
	1		1037706	KIT, COMPLETE BASIC MID ARMREST T-STYLE ASS'Y (2-POINT) RT	\$270.00
	1		1037707	KIT, COMPLETE BASIC MID ARMREST T-STYLE ASS'Y (2-POINT) LT	\$270.00

NOTES:

BASIC MID ARMREST ASS'Y RT-FLIPBACK (2-POINT PLASTIC RECEIVER)

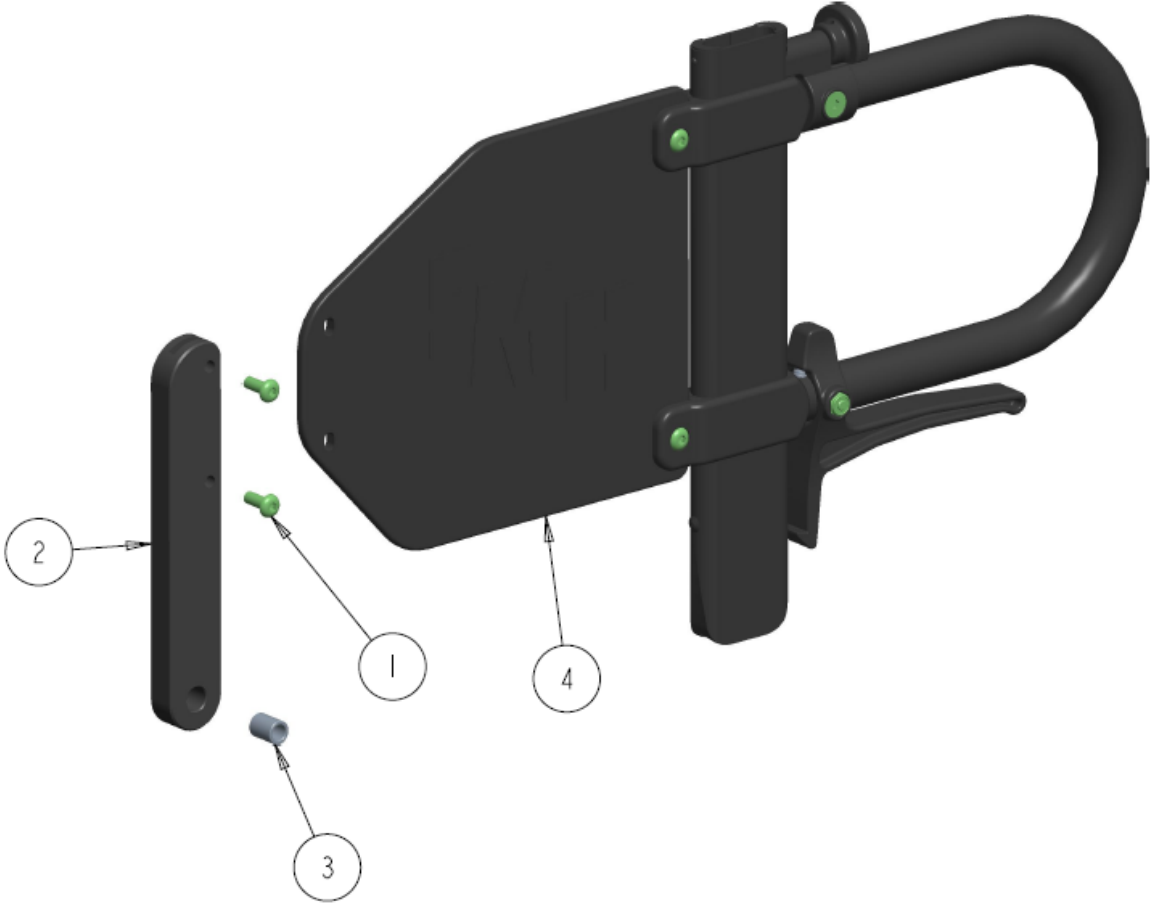


BASIC MID ARMREST ASS'Y RT-FLIPBACK (3-POINT PLASTIC RECEIVER)

ITEM	QTY	NOTES	PART NO.	DESCRIPTION	PRICE/ PER UNIT
1	1		1001727	SPRING, COMP .36 OD X .75 LG .032 WIRE	\$3.00
2	6		1028477	SCREW, FLAT HEAD SOCKET #10/32NF X 1/2	\$3.00
3	1		1032062	ARM-REST MID, GLIDE INSERT FULL	\$10.00
4	1		1033555	ROTATION ARM FLIP BAR RT	\$30.00
	1		1033556	ROTATION ARM FLIP BAR LT	\$30.00
5	1		1033557	INSERT BUSHING ROTATION ARM	\$5.00
6	1		1034846	BASIC FLIP-BACK ARM GUARD RT	\$85.00
	1		1034847	BASIC FLIP-BACK ARM GUARD LT	\$85.00
7	1		1034848	MOUNTING BLOCK PUSH LEVER	\$8.00
8	1		1034849	SCREW, SOCKET SHOULDER DIA.250 X .625	\$3.00
9	1		1036072	RELEASE KNOB PLUNGER ASS'Y	\$15.00
10	1		1036889	RECT VYNIL GRIP .50 X .187 X 1.0	\$5.00
11	1		1037467	MAIN VERTICAL TUBE - MACHINED	\$140.00
12	1		1037540	EXTENDED RELEASE LEVER RT	\$28.00
	1		1037541	EXTENDED RELEASE LEVER LT	\$28.00
	1		1037708	KIT, COMPLETE BASIC MID ARMREST FLIPBACK ASS'Y (2-POINT) RT	\$320.00
	1		1037709	KIT, COMPLETE BASIC MID ARMREST FLIPBACK ASS'Y (2-POINT) LT	\$320.00

NOTES:

MID ARMREST FLIP-BACK - UNDER LEVER

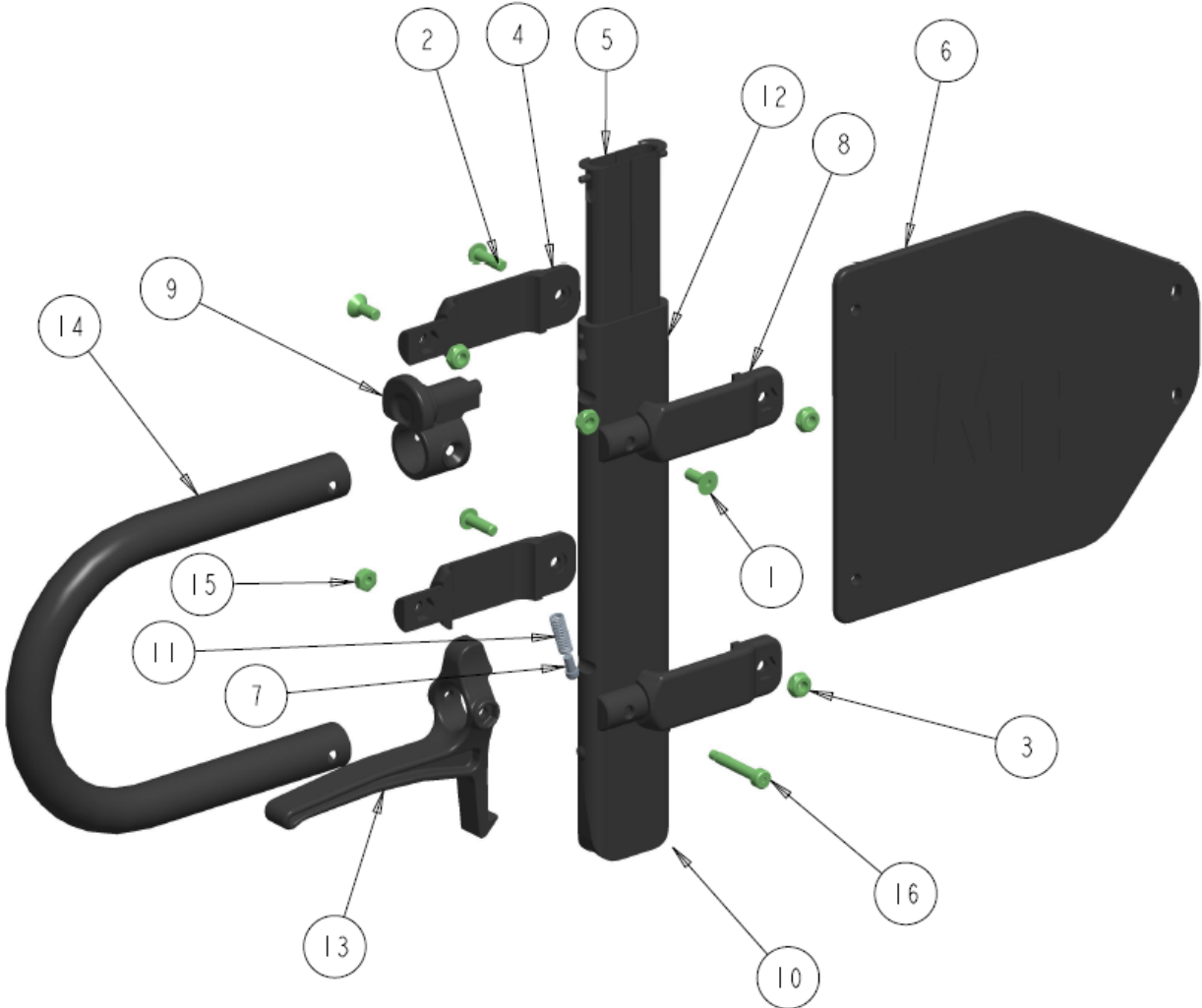


MID ARMREST FLIP-BACK - UNDER LEVER – TABLE

ITEM	QTY	NOTES	PART NO.	DESCRIPTION	PRICE/ PER UNIT
1	2		1001212	SCREW, SOCKET HEAD BUTTON, #10-32NF X 1/2	\$3.00
2	1		1033555	ROTATION ARM FLIP BAR RT	\$30.00
3	1		1033557	INSERT BUSHING ROTATION ARM	\$5.00
4	1		1034691	MID ARMREST ASS' T-STYLE - UNDER LEVER	\$300.00

NOTES:

MID ARMREST ASS' T-STYLE - UNDER LEVER

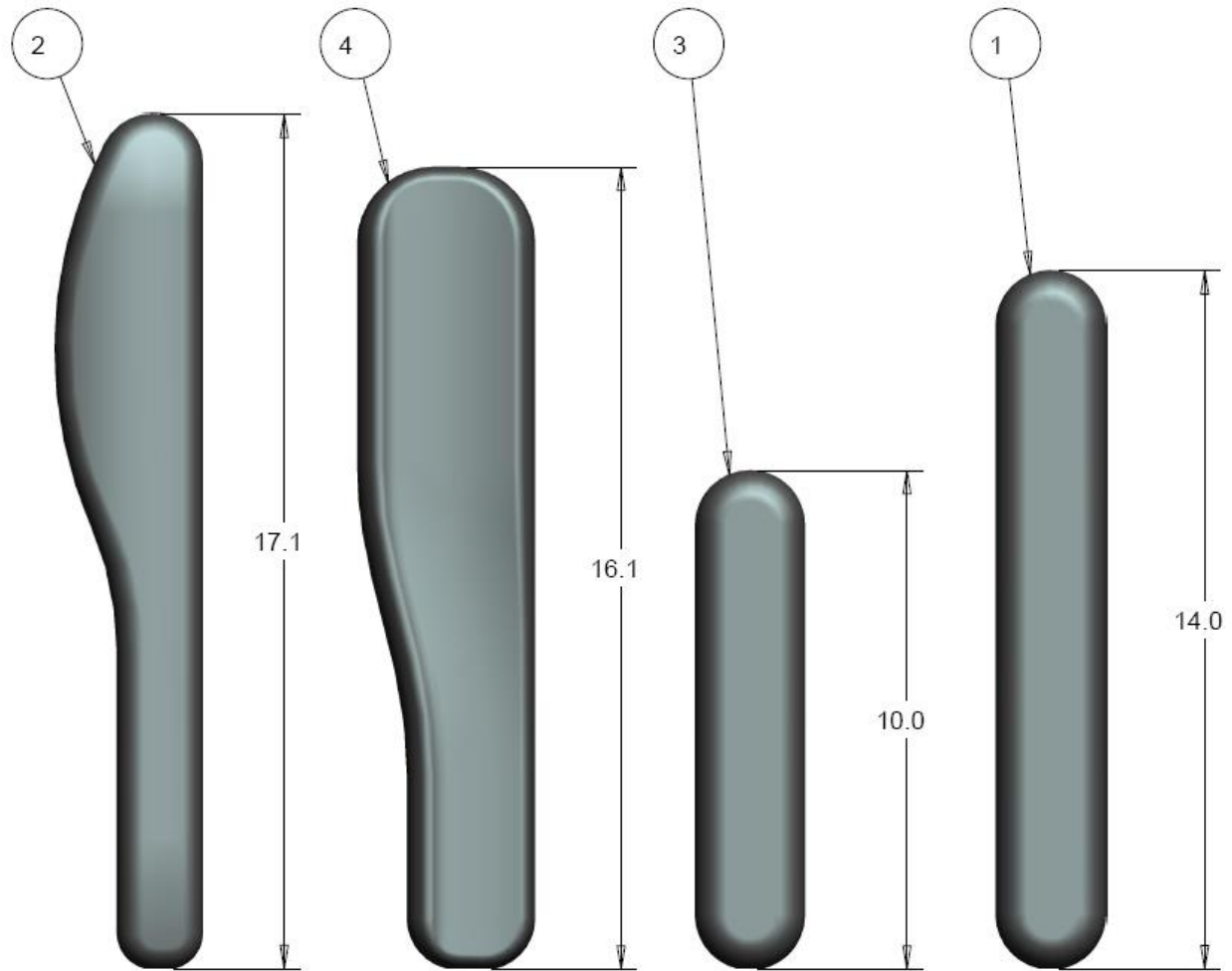


MID ARMREST ASS' T-STYLE - UNDER LEVER - TABLE

ITEM	QTY	NOTES	PART NO.	DESCRIPTION	PRICE/ PER UNIT
1	2		1010523	SCREW, FLAT HEAD SOCKET #10/32NF X 1/2	\$3.00
2	2		1000193	SCREW, SOCKET HEAD BUTTON, #10-32NF X 5/8	\$4.00
3	4		1000410	NUT, HEX-NYLOCK THIN, #10-32NF, BLK	\$2.00
4	2		1010503	ARM-REST MID, SPLIT TUBE CLAMP RT	\$12.00
5	2		1010504	ARM-REST MID, GLIDE INSERT	\$10.00
6	1		1010509	ARM-REST MID, ARM GUARD ADULT	\$24.00
7	1		1010511	ARM-REST MID, ARM RELEASE LEVER PIN	\$7.00
8	2		1010513	ARM-REST MID, SPLIT TUBE CLAMP LT	\$12.00
9	1		1010514	ARM-REST MID, PIN LOCK ASS'Y	\$30.00
10	1		1010516	ARM-REST BASE	\$24.00
11	1		1010904	SPRING, COMP .240 OD X .690 LG .035 WIRE	\$3.00
12	1		1034413	ARM-REST MID, MAIN TUBE (ADULT) - RIV	\$38.00
13	1		1034695	UNDER LEVER TRIGGER - ARMREST	\$45.00
14	1		1034697	ADULT T-ATM TRANSFER TUBE	\$35.00
15	1		1034698	NUT, HEX-NYLOCK THIN, #8-32NC	\$2.00
16	1		1034699	SCREW, SOCKET SHOULDER DIA.187 X 1.00	\$5.00

NOTES:

ARMPADS
ALL ARMPADS



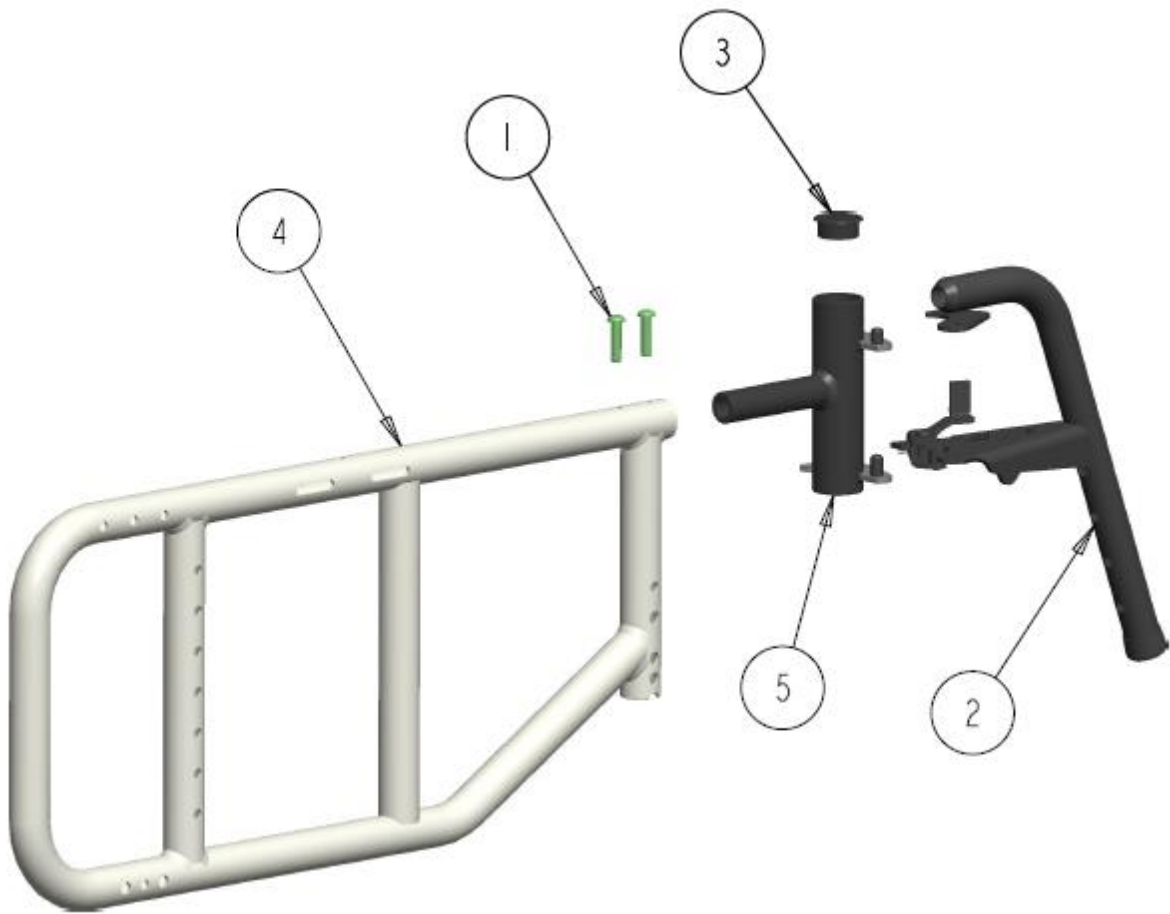
ALL ARMPADS-TABLE

ITEM	QTY	NOTES	PART NO.	DESCRIPTION	PRICE/ PER UNIT
1	1		1004179	ARMPAD FULL LENGTH VINYL	\$35.00
2	1		1002539	ARMPAD WITH INSERT LT	\$75.00
	1		1002538	ARMPAD WITH INSERT RT	\$75.00
3	1		1005002	DESK LENGTH VINYL ARMPAD	\$30.00
4	1		1012663	WIDE GEL ARMPAD OVERMOLD LT	\$100.00
	1		1012656	WIDE GEL ARMPAD OVERMOLD RT	\$100.00

NOTES:

SWING-AWAY LEGREST

STELLATO II SWING-AWAY HANGER MOUNT ASS'Y (PIN STYLE)

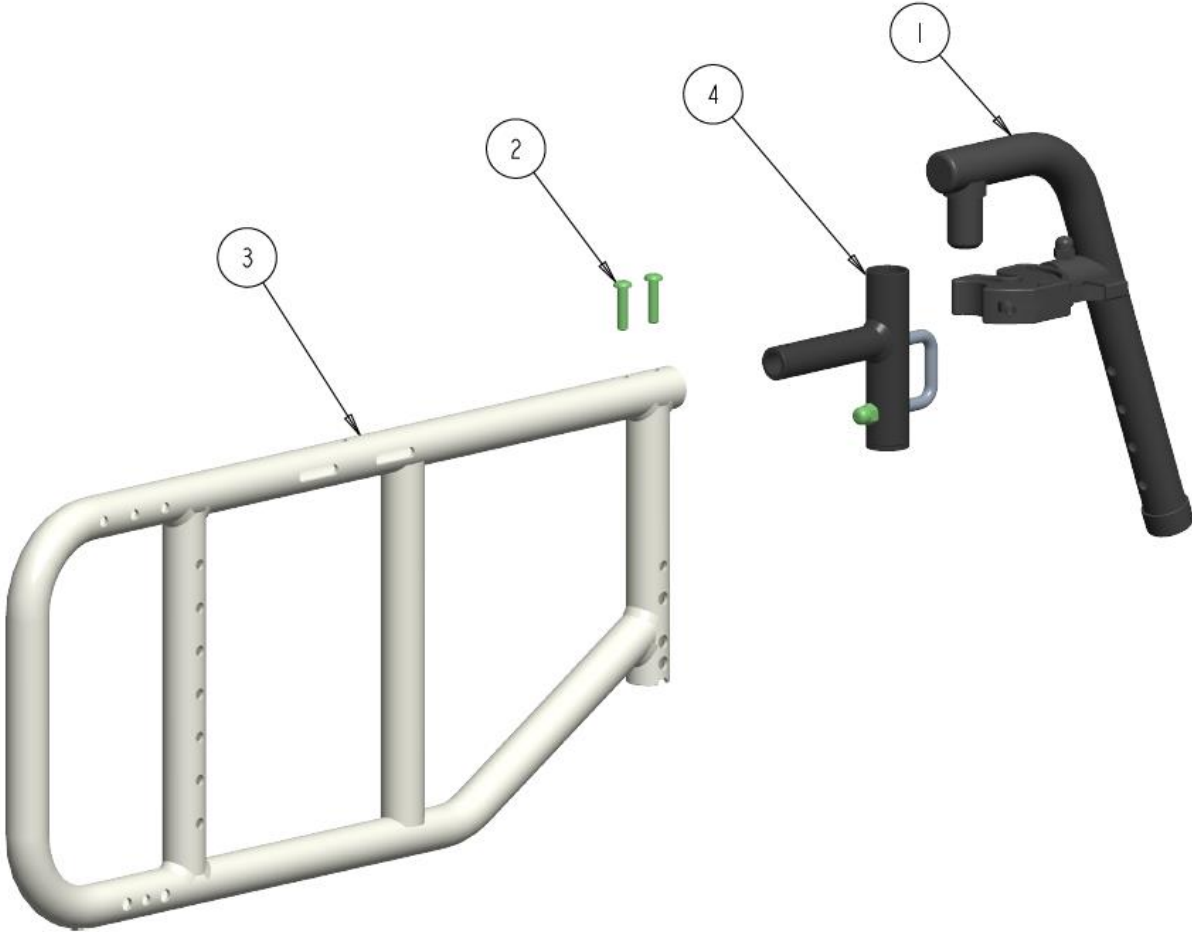


STELLATO II SWING-AWAY HANGER MOUNT ASS'Y (PIN STYLE)- TABLE

ITEM	QTY	NOTES	PART NO.	DESCRIPTION	PRICE/ PER UNIT
1	2		1001381	SCREW, SOCKET HEAD BUTTON, 1/4-20NC X 1	\$3.00
2	1		1036715	SWINGAWAY 60 DEG LEGREST, PIN STYLE, LT	\$110.00
	1		1036716	SWINGAWAY 60 DEG LEGREST, PIN STYLE, RT	\$110.00
	1		1003732	SWINGAWAY 70 DEG LEGREST, PIN STYLE, LT	\$110.00
	1		1003733	SWINGAWAY 70 DEG LEGREST, PIN STYLE, RT	\$110.00
	1		1004895	SWINGAWAY 80 DEG LEGREST, PIN STYLE, LT	\$120.00
	1		1004894	SWINGAWAY 80 DEG LEGREST, PIN STYLE, RT	\$120.00
3	1		1004127	PLUG, ROUND FLAT 1.00 IN TUBE	\$2.50
4	1		REF	STELLATO II, SIDE FRAME,16-20" RT	REF
5	1		1036914	STELLATO II PIN STYLE HANGER RT	\$84.00
	1		1036919	STELLATO II PIN STYLE HANGER LT	\$84.00

NOTES:

STELLATO II SWING-AWAY U-BOLT HANGER MOUNT ASS'Y

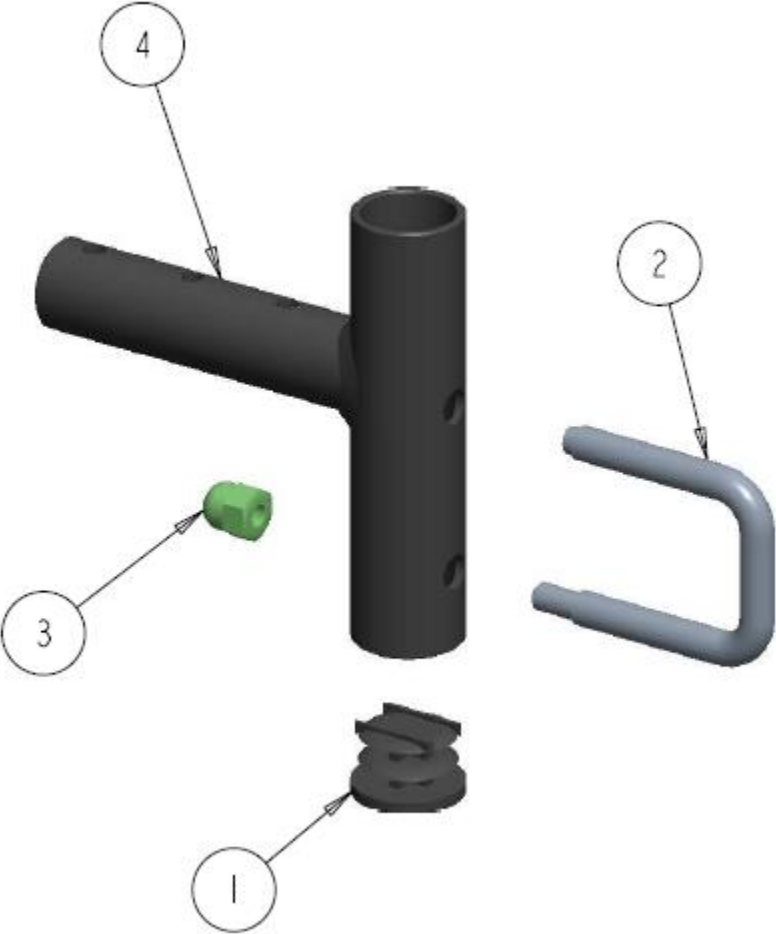


STELLATO II U-BOLT HANGER MOUNT ASS'Y -TABLE

ITEM	QTY	NOTES	PART NO.	DESCRIPTION	PRICE/ PER UNIT
1	1		1001179	60 DEG UPGRADED SWINGAWAY ASS'Y RT	\$195.00
	1		1001180	60 DEG UPGRADED SWINGAWAY ASS'Y LT	\$195.00
	1		1000754	70 DEG UPGRADED SWINGAWAY ASS'Y RT	\$195.00
	1		1000780	70 DEG UPGRADED SWINGAWAY ASS'Y LT	\$195.00
	1		1004064	90 DEG UPGRADED SWING AWAY ASS'Y RT	\$195.00
	1		1004065	90 DEG UPGRADED SWING AWAY ASS'Y LT	\$195.00
2	2		1001381	SCREW, SOCKET HEAD BUTTON, 1/4-20NC X 1	\$3.00
3	1		REF	STELLATO II, SIDE FRAME,16-20" RT	REF
4	1		1036920	STELLATO II U-BOLT HANGER ASS'Y	\$105.00

NOTES:

STELLATO II U-BOLT HANGER ASS'Y

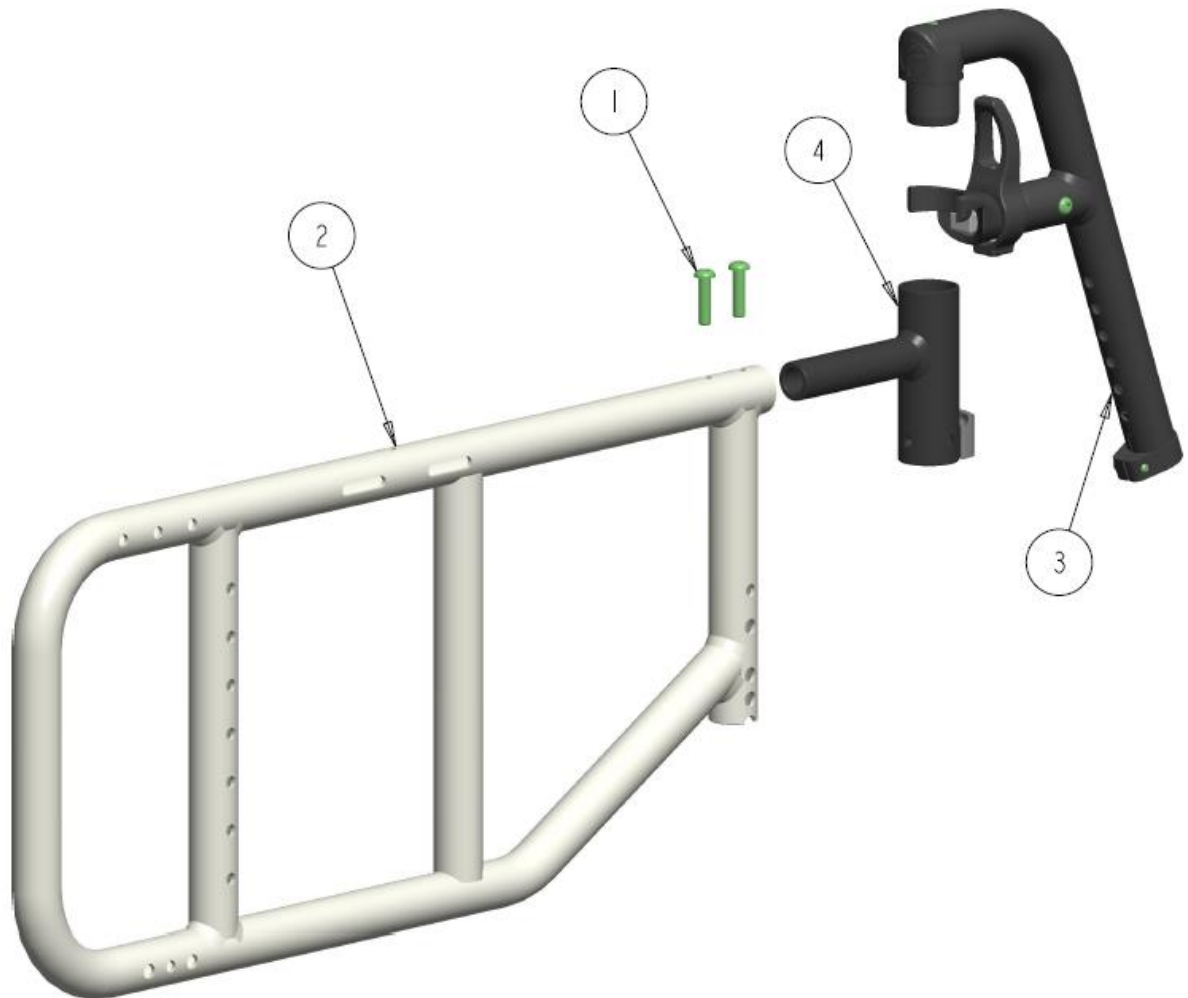


STELLATO II U-BOLT HANGER ASS'Y - TABLE

ITEM	QTY	NOTES	PART NO.	DESCRIPTION	PRICE/ PER UNIT
1	1		1000392	ROUND PLUG TUBE, 1.00" DIA FLAT	\$3.00
2	1		1000757	LATCH U-BOLT	\$20.00
3	1		1000787	ACORN NUT, 1/4-20 STAINLESS 0.510 HIGH	\$6.00
4	1		1036921	STELLATO II U-BOLT WELDMENT	\$42.50

NOTES:

STELLATO II SWING-AWAY HANGER MOUNT (LOC BACK SIMPLE)

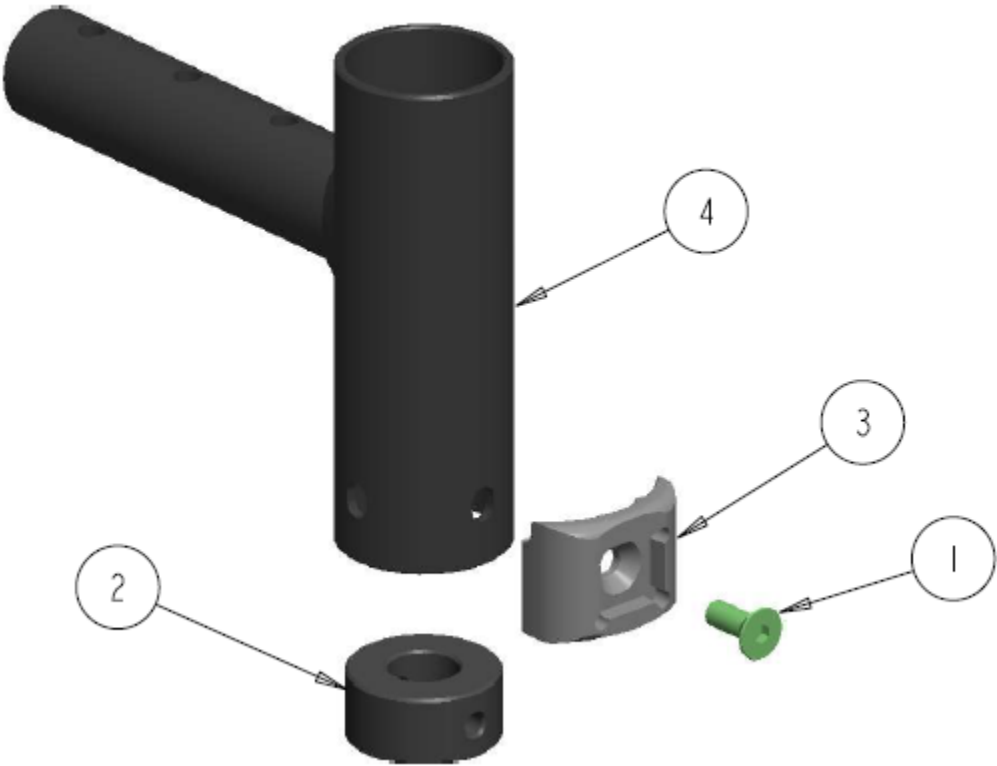


STELLATO II SWING-AWAY HANGER MOUNT (LOC BACK SIMPLE) - TABLE

ITEM	QTY	NOTES	PART NO.	DESCRIPTION	PRICE/ PER UNIT
1	2		1001381	SCREW, SOCKET HEAD BUTTON, 1/4-20NC X 1	\$3.00
2	1		REF	STELLATO II, SIDE FRAME,16-20" RT	REF
3	1		1034724	60 DEGREE 1.25 PULL DUAL SWINGAWAY ASS'Y	\$145.00
	1		1034725	70 DEGREE 1.25 PULL LOC SWINGAWAY	\$145.00
	1		1034726	80 DEGREE 1.25 PULL DUAL SWINGAWAY ASS'Y	\$145.00
	1		1034727	90 DEGREE 1.25 PULL DUAL SWINGAWAY ASS'Y	\$145.00
4	1		1035949	1.25 INLINE HANGER SHORT STANDARD	\$100.00

NOTES:

STELLATO II 1.25 INLINE HANGER SHORT ASS'Y

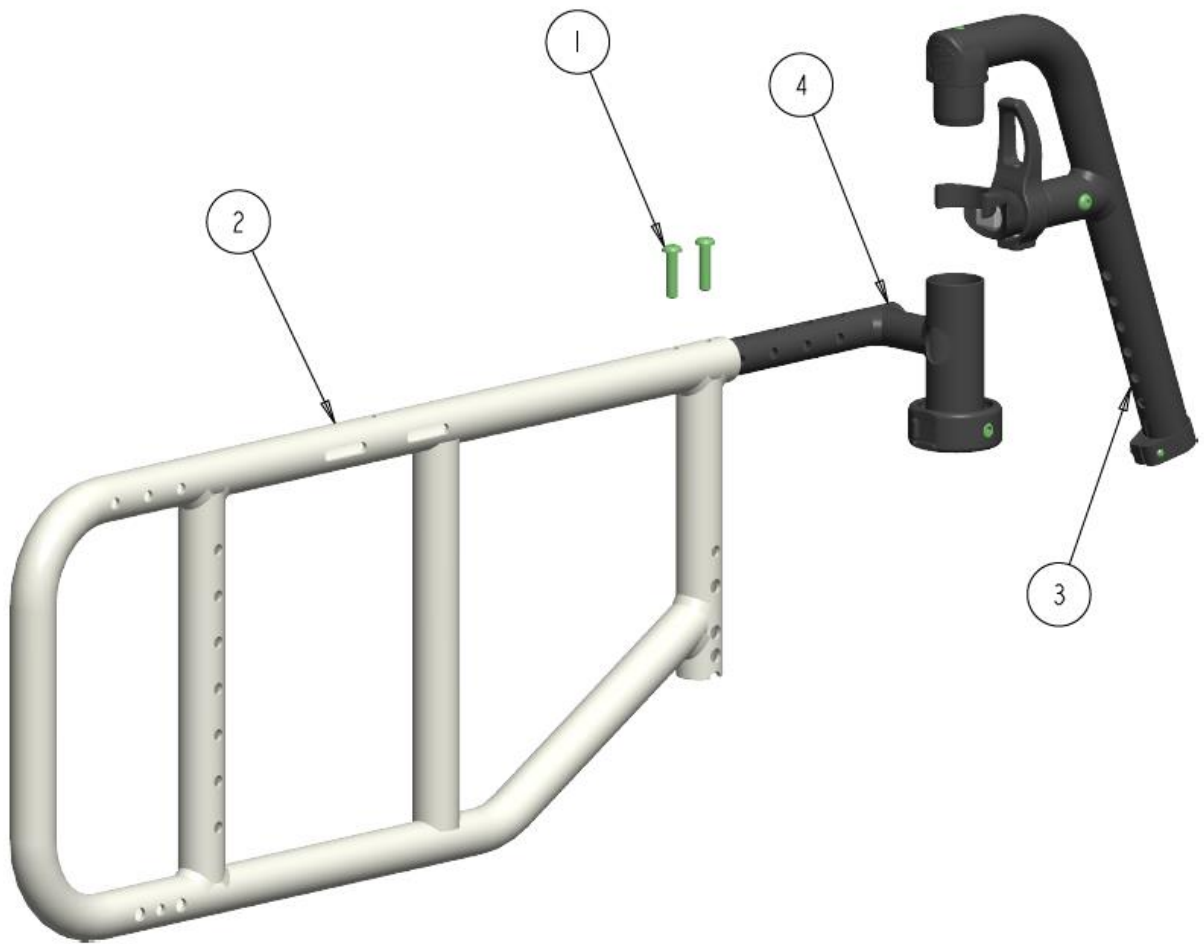


STELLATO II 1.25 INLINE HANGER SHORT ASS'Y - TABLE

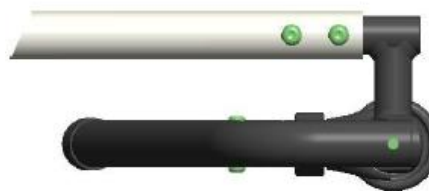
ITEM	QTY	NOTES	PART NO.	DESCRIPTION	PRICE/ PER UNIT
1	1		1028477	SCREW, FLAT HEAD SOCKET #10/32NF X 1/2	\$3.00
2	1		1034735	HANGER RING INSERT PLUG	\$5.00
3	1		1034769	SIMPLE LATCH 1.25 RECEIVER - INLINE	\$15.50
4	1		1035947	LOC-BACK 1.25 HANGER WELD SHORT	\$45.00

NOTES:

STELLATO II SWING-AWAY HANGER MOUNT (LOC BACK RING)



STANDARD FORWARD POSITION



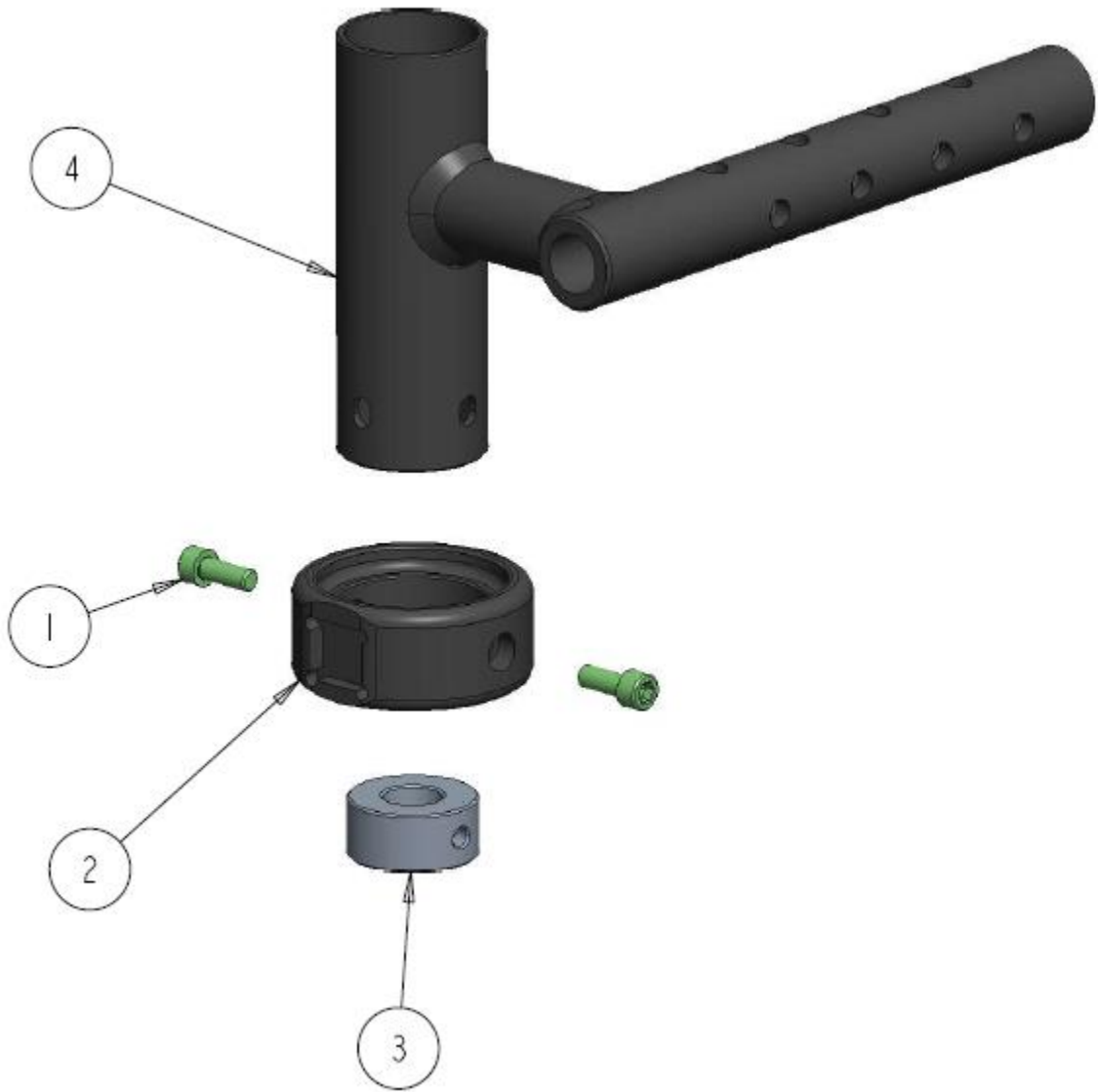
REAR LOC-BACK POSITION

STELLATO II SWING-AWAY HANGER MOUNT (LOC BACK RING) – TABLE

ITEM	QTY	NOTES	PART NO.	DESCRIPTION	PRICE/ PER UNIT
1	2		1001381	SCREW, SOCKET HEAD BUTTON, 1/4-20NC X 1	\$3.00
2	1		REF	STELLATO II, SIDE FRAME,16-20" RT	REF
3	1		1034724	60 DEGREE 1.25 PULL DUAL SWINGAWAY ASS'Y	\$145.00
	1		1034725	70 DEGREE 1.25 PULL LOC SWINGAWAY	\$145.00
	1		1034726	80 DEGREE 1.25 PULL DUAL SWINGAWAY ASS'Y	\$145.00
	1		1034727	90 DEGREE 1.25 PULL DUAL SWINGAWAY ASS'Y	\$145.00
4	1		1034778	1.25 RT OFFSET LEGREST HANGER	\$115.00
	1		1034779	1.25 LT OFFSET LEGREST HANGER	\$115.00

NOTES:

STELLATO II 1.25 RT OFFSET LEGREST HANGER ASS'Y

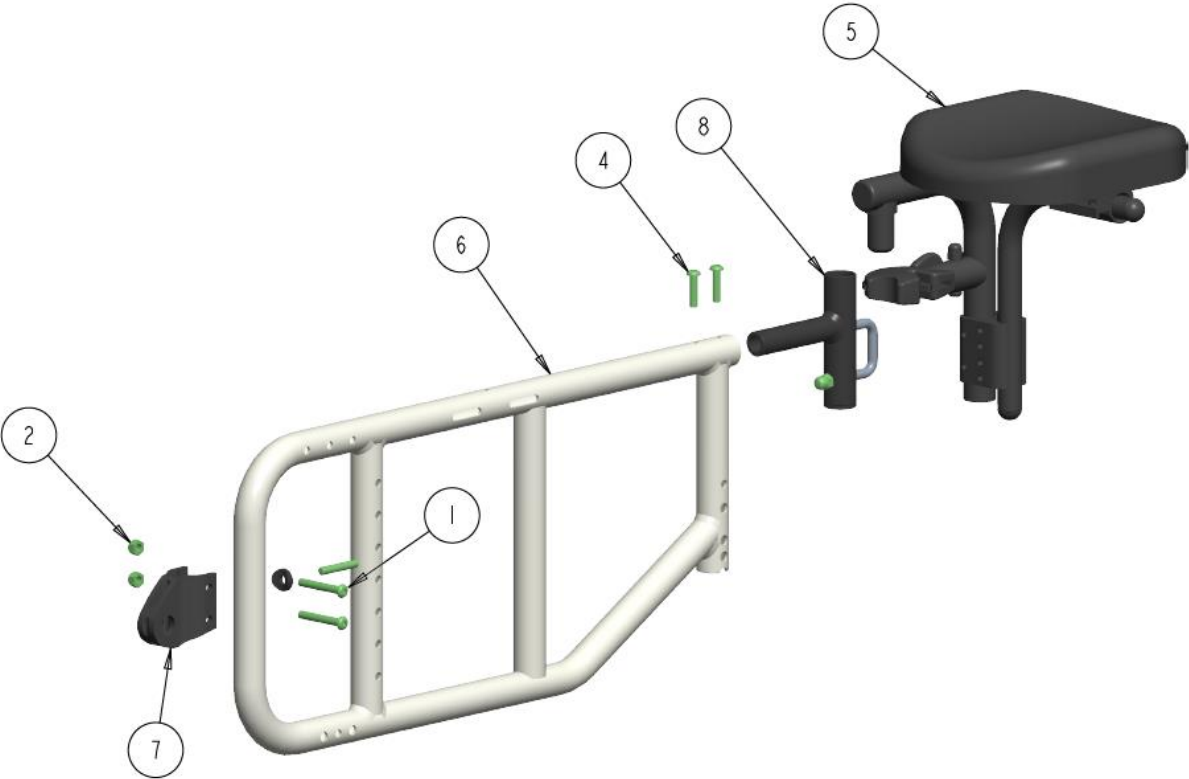


STELLATO II 1.25 RT OFFSET LEGREST HANGER ASS'Y - TABLE

ITEM	QTY	NOTES	PART NO.	DESCRIPTION	PRICE/ PER UNIT
1	2		1001481	SCREW, SOCKET HEAD CAP, 10-32NF X 1/2	\$3.00
2	1		1034732	RING LATCH 1.25 RECEIVER - OFFSET	\$25.00
3	1		1034735	HANGER RING INSERT PLUG	\$5.00
4	1		1034787	LOC-BACK 1.25 LEGREST HANGER RT 15-19"	\$82.00

NOTES:

STELLATO II SWING-AWAY HANGER MOUNT (UMPUTEE)



STELLATO II SWING-AWAY HANGER MOUNT (UMPUTEE) - TABLE

ITEM	QTY	NOTES	PART NO.	DESCRIPTION	PRICE/ PER UNIT
1	3		1000783	SCREW, SOCKET HEAD BUTTON 1/4-20 X 1.75	\$3.00
2	2		1000014	NUT, HEX, NYLOCK 1/4-20NC	\$2.00
3	1		1000113	COVED SPACER 1.00" TUBE 1/4"	\$3.50
4	2		1001381	SCREW, SOCKET HEAD BUTTON, 1/4-20NC X 1	\$3.00
5	1		1025279	STUMP SUPPORT SWINGAWAY WITH PAD	\$370.00
6	1		REF	STELLATO II,INSIDE SIDE FRAME,16-20" RT	REF
7	1		1036719	AMPUTEE MULTI AXCEL MOUNT PLATE	\$95.00
8	1		1036920	STELLATO II U-BOLT HANGER ASS'Y	\$105.00

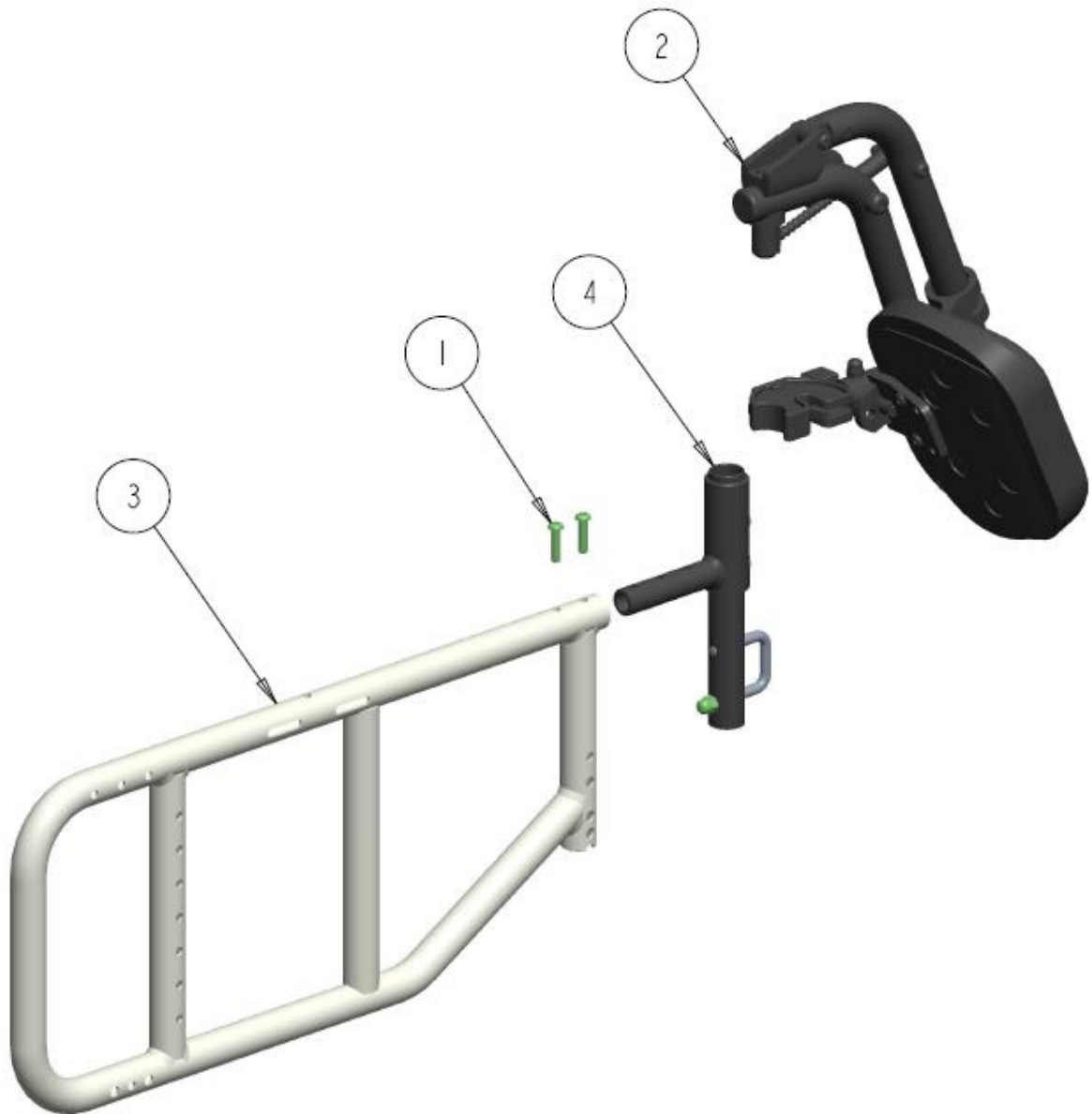
NOTES:

FOOTREST STEM AND PLATE

NOTE: PLEASE SEE PARTS LIBRARY – SWINGAWAY LEGREST – FOOTRESTS FOR PARTS ON FOOTREST STEM AND PLATE

ELEVATING LEGREST

STELLATO II SWING-AWAY ELEVATING LEGREST U-BOLT ASS'Y



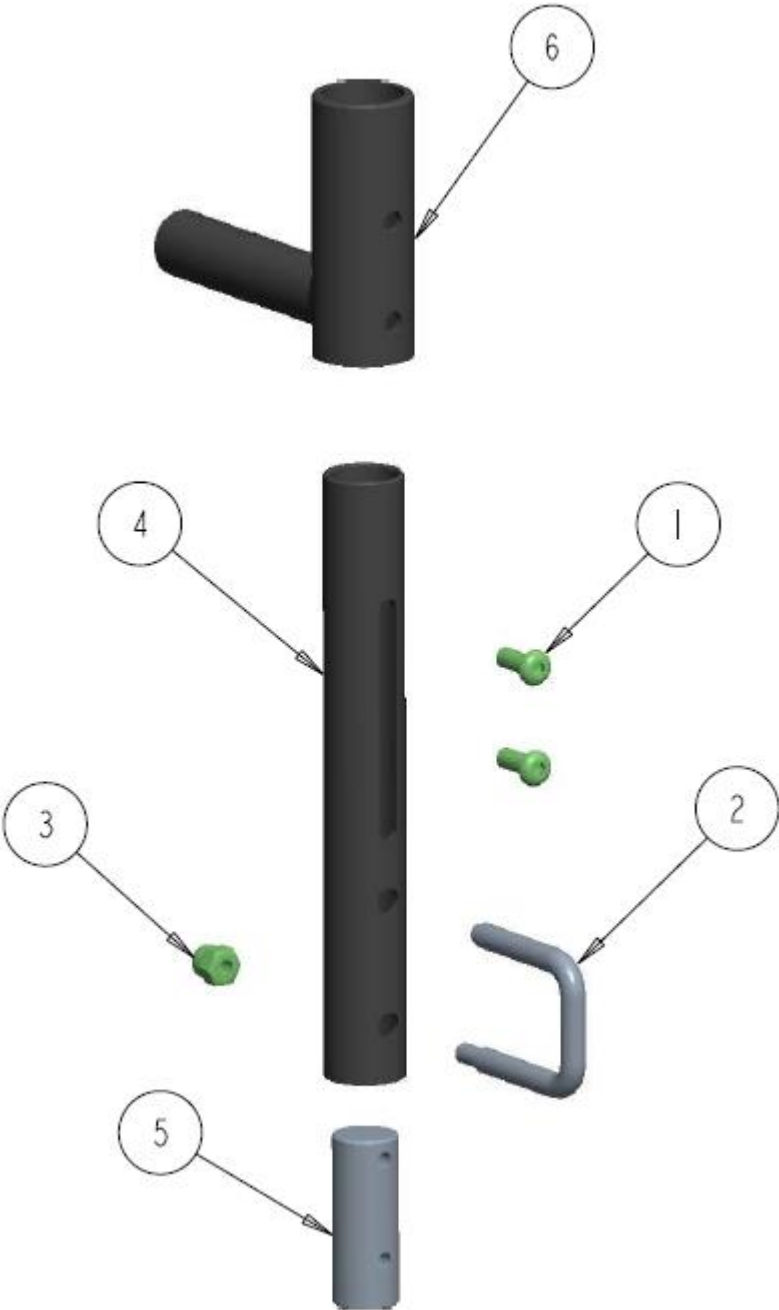
STELLATO II SWING-AWAY ELEVATING LEGREST U-BOLT ASS'Y – TABLE

ITEM	QTY	NOTES	PART NO.	DESCRIPTION	PRICE/ PER UNIT
1	2		1001381	SCREW, SOCKET HEAD BUTTON, 1/4-20NC X 1	\$3.00
2	1	A	1006861	ALUMINUM ELEVATING LEGREST ASS'Y - LT	\$650.00
	1	A	1036941	ALUMINUM ELEVATING LEGREST ASS'Y - RT	\$650.00
3	1		REF	STELLATO II,SIDE FRAME,16-20" RT	REF
4	1		1036924	STELLATO II ELEVATING LEGREST HANGER U-BOLT ASS'Y	\$140.00

NOTES:

- A. PLEASE SEE PARTS LIBRARY – **ELEVATING LEGREST - ELEVATING LEGREST CENTER PIVOT** FOR PARTS ON ELEVATING LEGREST U-BOLT ASS'Y

STELLATO II ELEVATING LEGREST HANGER U-BOLT ASS'Y



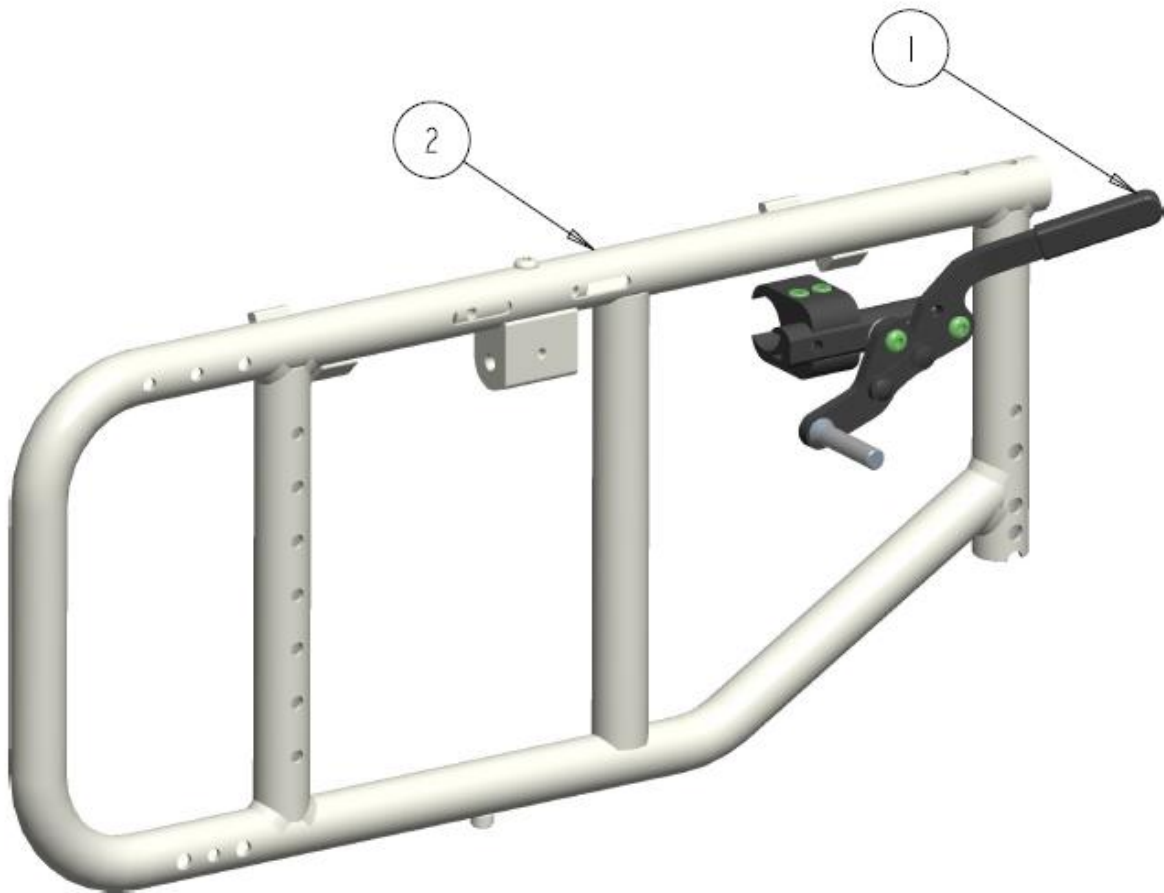
STELLATO II ELEVATING LEGREST HANGER U-BOLT ASS'Y – TABLE

ITEM	QTY	NOTES	PART NO.	DESCRIPTION	PRICE/ PER UNIT
1	2		1000412	SCREW, SOCKET HEAD BUTTON, 1/4-20NC X 5/8	\$3.00
2	1		1000757	LATCH U-BOLT	\$20.00
3	1		1000787	ACORN NUT, 1/4-20 STAINLESS 0.510 HIGH	\$6.00
4	1		1002778	ADJUSTABLE LEGREST, VERTICLE TUBE, SWINGAWAY	\$30.00
5	1		1002783	ADJUSTABLE LEGREST, INSERT PLUG ROD	\$18.00
6	1		1036925	STELLATO II ELEVATING LEGREST HANGER U-BOLT WELDMENT	\$62.50

NOTES:

WHEEL LOCKS

STELLATO II SLIDE-ON WHEEL LOCKS MOUNTING

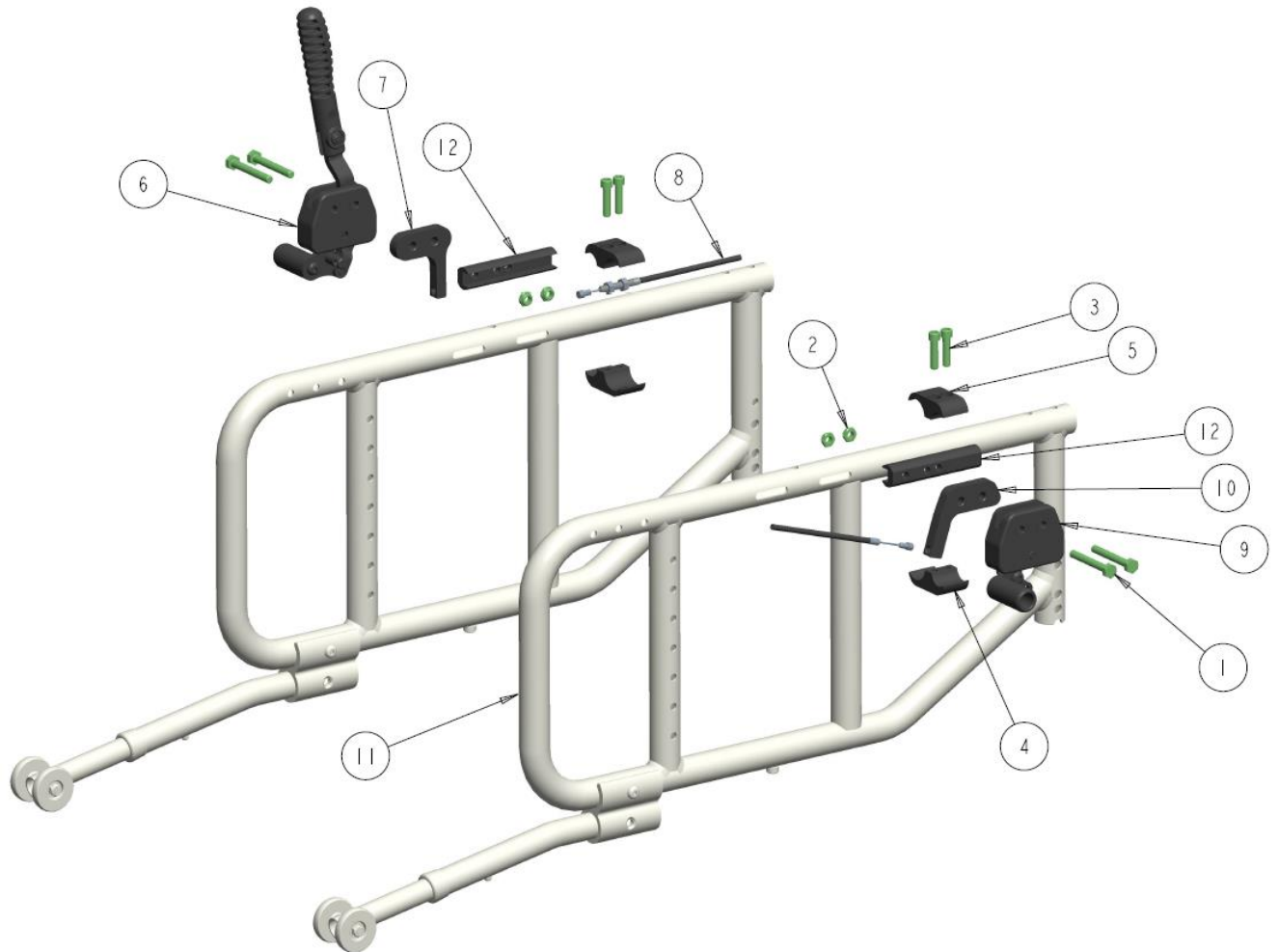


STELLATO II SLIDE-ON WHEEL LOCKS MOUNTING – TABLE

ITEM	QTY	NOTES	PART NO.	DESCRIPTION	PRICE/ PER UNIT
1	1		1029771	LIGHT CLAMP SPRING PUSH TO LOCK, RT	\$152.00
	1		1029772	LIGHT CLAMP SPRING PUSH TO LOCK, LT	\$152.00
	1		1029775	LIGHT CLAMP SPRING PULL TO LOCK, RT	\$152.00
	1		1029776	LIGHT CLAMP SPRING PULL TO LOCK, LT	\$152.00
2	1		REF	STELLATO II SIDE FRAME RT	REF
			1036942	KIT, COMPLETE WHEEL LOCK MOUNTING ASS'Y (ITEM - 1) RT	\$145.00
			1036943	KIT, COMPLETE WHEEL LOCK MOUNTING ASS'Y (ITEM - 1) LT	\$145.00

NOTES: PLEASE SEE PARTS LIBRARY – [WHEEL LOCKS](#) FOR COMPONENT DETAILS ON [LIGHT SLIDE ON WHEEL LOCKS](#)

STELLATO II BERNER UNILATERAL PUSH WHEEL LOCK ASSY

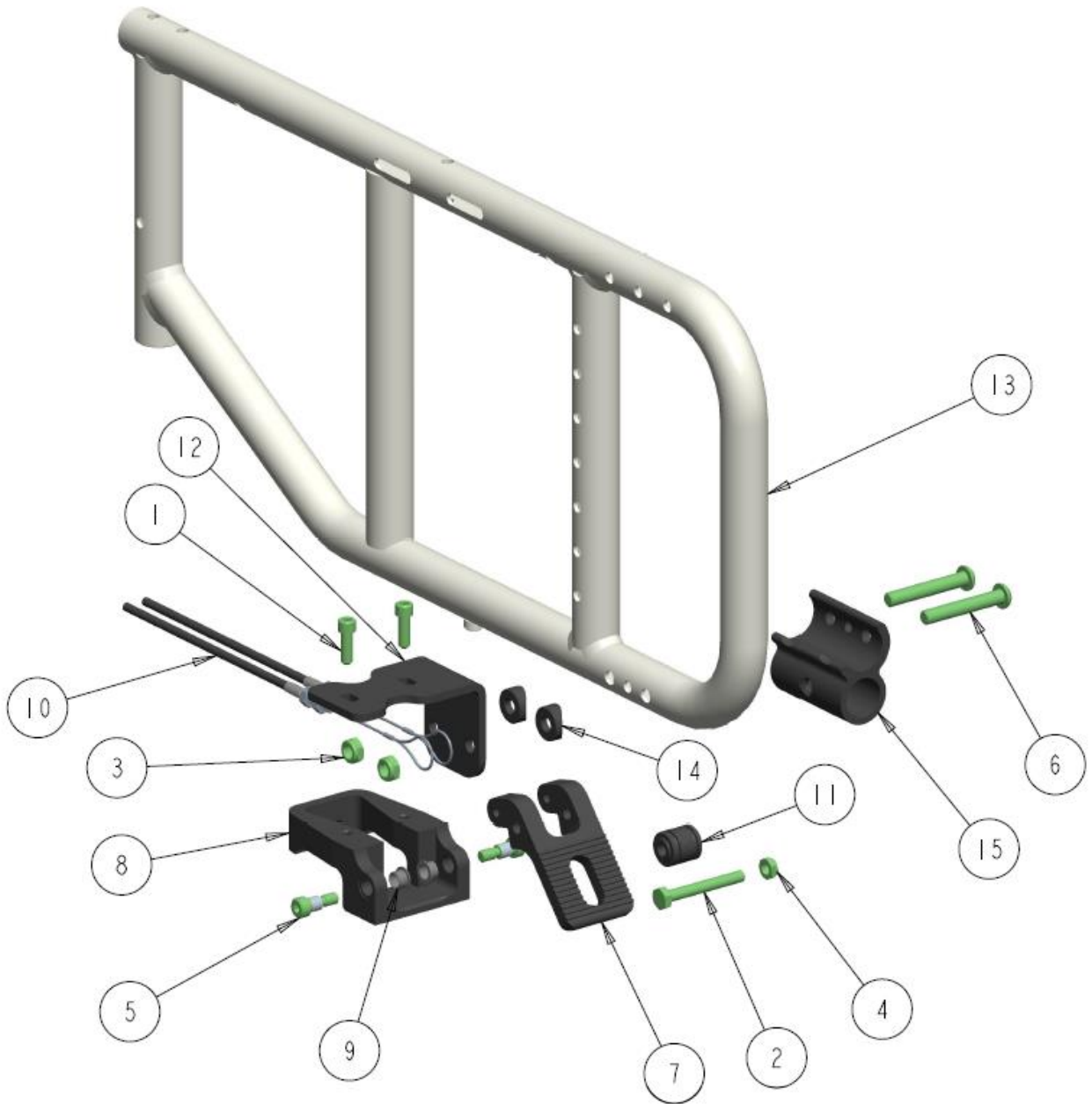


STELLATO II BERNER UNILATERAL PUSH WHEEL LOCK ASS'Y - TABLE

ITEM	QTY	NOTES	PART NO.	DESCRIPTION	PRICE/ PER UNIT
1	4		1000372	BOLT, HEX HEAD, 1/4-20NC X 2	\$4.00
2	4		1000397	NUT, HEX-NYLOCK THIN, 1/4-20NC	\$2.00
3	4		1001469	SCREW, SOCKET HEAD CAP, 1/4-20NC X 1	\$3.00
4	2		1005342	WHEEL LOCK DUAL TUBE CLAMP, LOWER	\$33.00
5	2		1017108	WHEEL LOCK DUAL TUBE CLAMP, UPPER	\$39.00
6	1		1021605	UNILATERAL PUSH LOCK - HOUSING RT	\$180.00
	1		1021604	UNILATERAL PUSH LOCK - HOUSING LT	\$180.00
7	1		1021617	BERNER REMOTE CABLE SUPPORT	\$25.00
8	1		1021619	UNILATERAL CABLE ASSY SHORT SINGLE	\$95.00
9	1		1021633	BERNER BRAKE SLAVE HOUSING RT	\$150.00
			1021632	BERNER BRAKE SLAVE HOUSING LT	\$150.00
10	1		1021653	BERNER SLAVE REMOTE CABLE SUPPORT	\$25.00
11	2		REF	STELLATO II SIMPLE ANTI-TIP MOUNTED	REF
12	2		1036690	ATTENDANT WHEEL LOCK MOUNT SLIDE	\$15.00
			1036944	KIT, COMPLETE BERNER UNILATERAL RT HAND ACTIVATED PUSH WHEEL LOCK ASS'Y	\$550.00
			1036945	KIT, COMPLETE BERNER UNILATERAL LT HAND ACTIVATED PUSH WHEEL LOCK ASS'Y	\$550.00

NOTES:

STELLATO II BERNER ATTENDANT WHEEL LOCK ASSY (FOOT PEDAL)

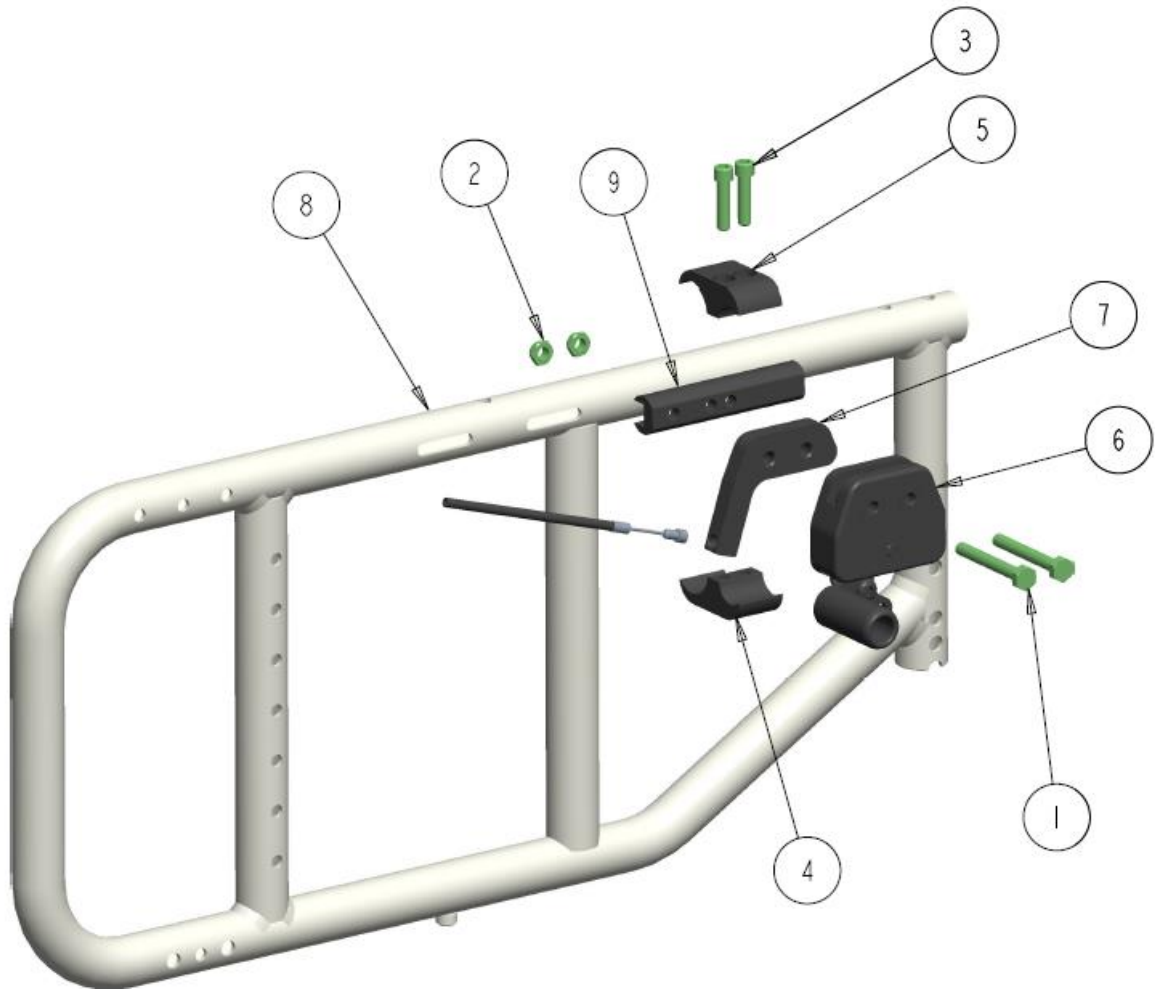


STELLATO II BERNER ATTENDANT WHEEL LOCK ASS'Y (FOOT PEDAL) - TABLE

ITEM	QTY	NOTES	PART NO.	DESCRIPTION	PRICE/ PER UNIT
1	2		1000025	SCREW, SOC HD CAP, 1/4-20 X 0.75	\$3.00
2	1		1000372	BOLT, HEX HEAD, 1/4-20NC X 2	\$4.00
3	2		1000396	NUT, HEX-NYLOCK THIN, 5/16-18NC	\$2.00
4	1		1000397	NUT, HEX-NYLOCK THIN, 1/4-20NC	\$2.00
5	2		1004655	SCREW, SOCKET SHOULDER DIA.312 X .375 LG	\$5.00
6	2		1006324	SCREW, SOCKET HEAD BUTTON 5/16-18 X 2	\$3.00
7	1		1021440	WHEEL LOCK ACTUATOR PEDAL	\$24.00
8	1		1021441	ACTUATOR PEDAL MOUNTING BRACKET	\$68.00
9	2		1021443	FLANGE BUSH 0.312 ID X 0.375 OD X 0.25	\$3.50
10	2		1021445	ATTENDANT LOOP CABLE ASSY	\$90.00
11	1		1021447	DUAL LOOP SPOOL	\$8.00
12	1		1021813	ATTENDANT LOCK BRACKET- ORION III	\$20.00
13	1		REF	STELLATO II, INSIDE SIDE FRAME, RT, 16-20"	REF
14	2		1036288	DIA. 1.00 COVERED SPACER, 0.312" BOLT	\$3.50
15	1		1036688	ANTI-TIP MOUNTING BRACKET 1.00	\$25.00
			1036946	KIT, COMPLETE BERNER ATTENDANT FOOT PEDAL ASS'Y RT	\$300.00
			1036947	KIT, COMPLETE BERNER ATTENDANT FOOT PEDAL ASS'Y LT	\$300.00

NOTES:

STELLATO II BERNER ATTENDANT WHEEL LOCK ASSY (WHEEL LOCKS)



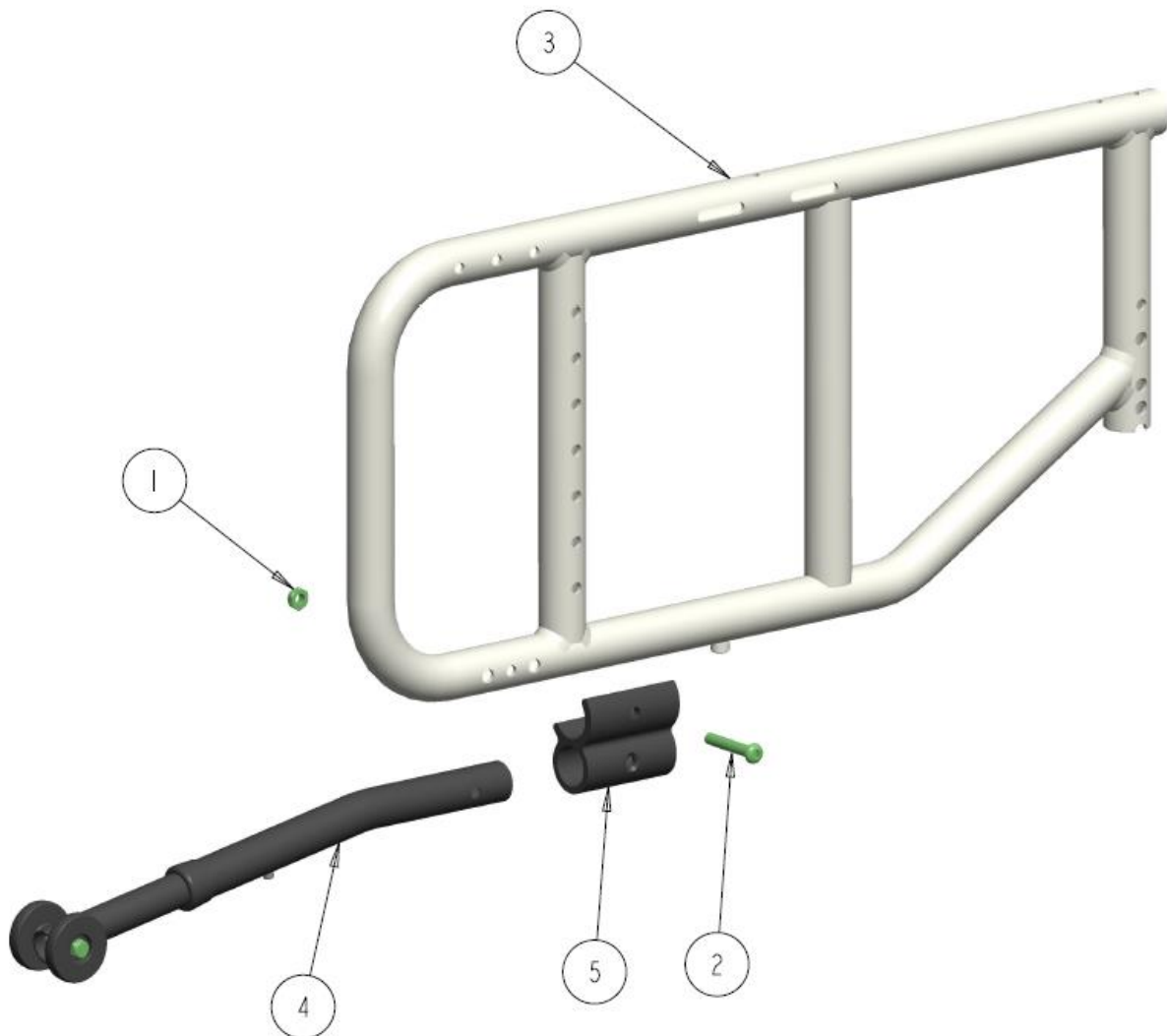
STELLATO II BERNER ATTENDANT WHEEL LOCK ASS'Y (WHEEL LOCKS) - TABLE

ITEM	QTY	NOTES	PART NO.	DESCRIPTION	PRICE/ PER UNIT
1	2		1000372	BOLT, HEX HEAD, 1/4-20NC X 2	\$4.00
2	2		1000397	NUT, HEX-NYLOCK THIN, 1/4-20NC	\$2.00
3	2		1001469	SCREW, SOCKET HEAD CAP, 1/4-20NC X 1	\$3.00
4	1		1005342	WHEEL LOCK DUAL TUBE CLAMP, LOWER	\$33.00
5	1		1017108	WHEEL LOCK DUAL TUBE CLAMP, UPPER	\$39.00
6	1		1021633	BERNER BRAKE SLAVE HOUSING RT	\$150.00
			1021632	BERNER BRAKE SLAVE HOUSING LT	\$150.00
7	1		1021653	BERNER SLAVE REMOTE CABLE SUPPORT	\$25.00
8	1		REF	STELLATO II SIMPLE ANTI-TIP MOUNTED	REF
9	1		1036690	ATTENDANT WHEEL LOCK MOUNT SLIDE	\$15.00
			1036949	KIT, COMPLETE BERNER ATTENDANT WHEEL LOCK ASS'Y LT	\$225.00
			1036948	KIT, COMPLETE BERNER ATTENDANT WHEEL LOCK ASS'Y RT	\$225.00
			1036950	KIT, COMPLETE BERNER ATTENDANT WHEEL LOCK ASS'Y LT AND RT	\$440.00

NOTES:

ANTI-TIPS

STELLATO II SIMPLE ANTI-TIP MOUNTED



STELLATO II SIMPLE ANTI-TIP MOUNTED- TABLE

ITEM	QTY	NOTES	PART NO.	DESCRIPTION	PRICE/ PER UNIT
1	1		1000397	NUT, HEX-NYLOCK THIN, 1/4-20NC	\$2.00
2	1		1000493	SCREW, SOCKET HEAD BUTTON 1/4-20 X 1.50	\$3.00
3	1		REF	STELLATO II, SIDE FRAME, RT, 16-20"	REF
4	1	A	REF	STELLATO II ANTI-TIP MOUNT ASS'Y (GEN) (RSTF: 12")	REF
	1	A	1037025	STELLATO II ANTI-TIP MOUNT ASS'Y WITH STRAIGHT TUBE(RSTF: 12")	\$76.00
	1	A	1036928	STELLATO II ANTI-TIP MOUNT ASS'Y WITH X-SMALL TUBE (RSTF: 12")	\$76.00
	1	A	1036929	STELLATO II ANTI-TIP MOUNT ASS'Y WITH SMALL TUBE (RSTF: 13")	\$76.00
	1	A	1036930	STELLATO II ANTI-TIP MOUNT ASS'Y WITH MED TUBE (RSTF: 14"-16")	\$76.00
	1	A	1036931	STELLATO II ANTI-TIP MOUNT ASS'Y WITH LARGE TUBE (RSTF: 16"-19")	\$76.00
5	1		1034566	ANTI-TIP MOUNTING BRACKET 1.00	\$25.00

NOTES:

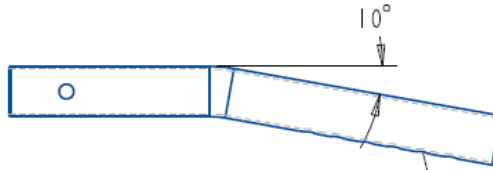
A.

SIMPLE ANTI-TIP FAMILY

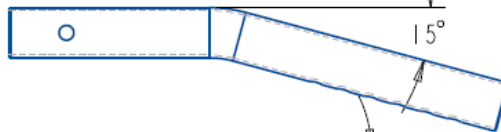
1037142 STRAIGHT TUBE



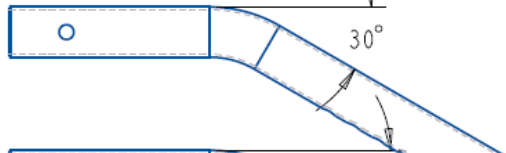
1034559 X-SMALL TUBE



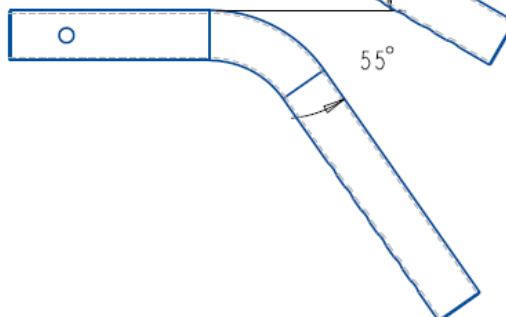
1034560 SMALL TUBE



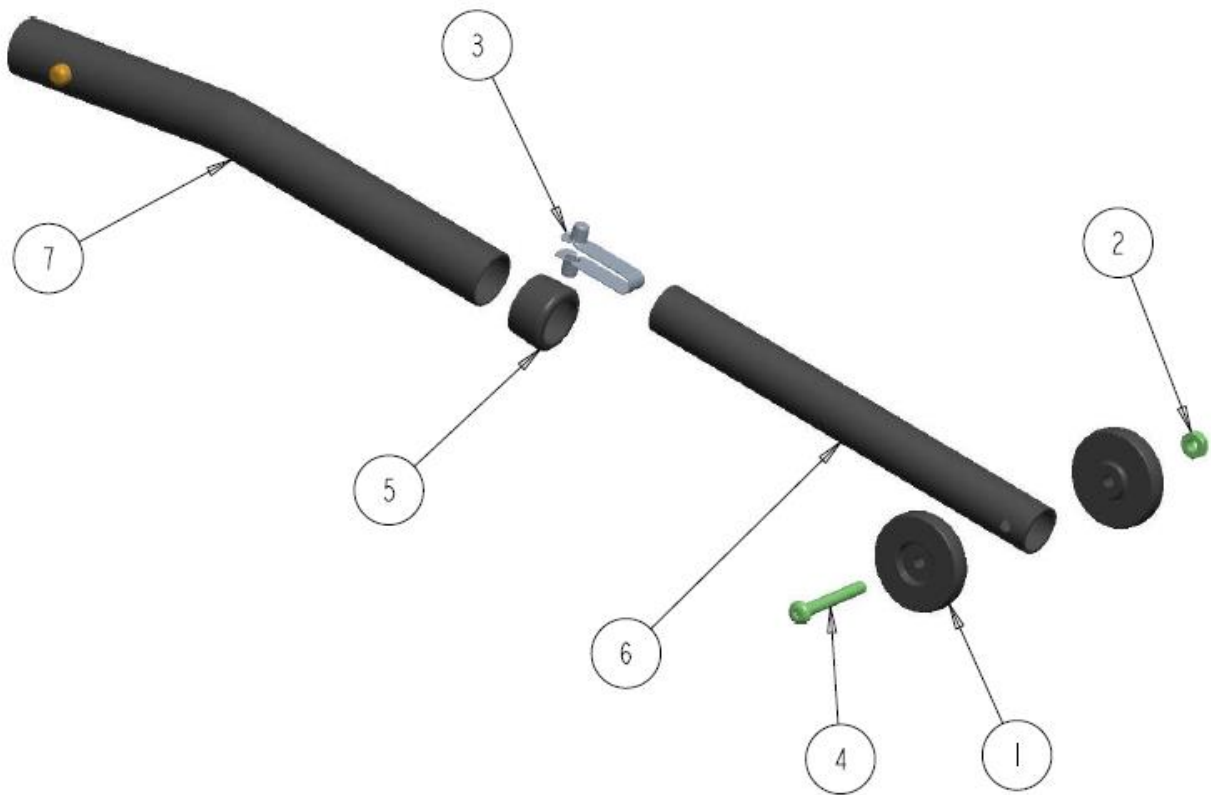
1034561 MEDIUM TUBE



1034561 LARGE TUBE



SIMPLE ANTI-TIP WITH EXTENSION ASSY

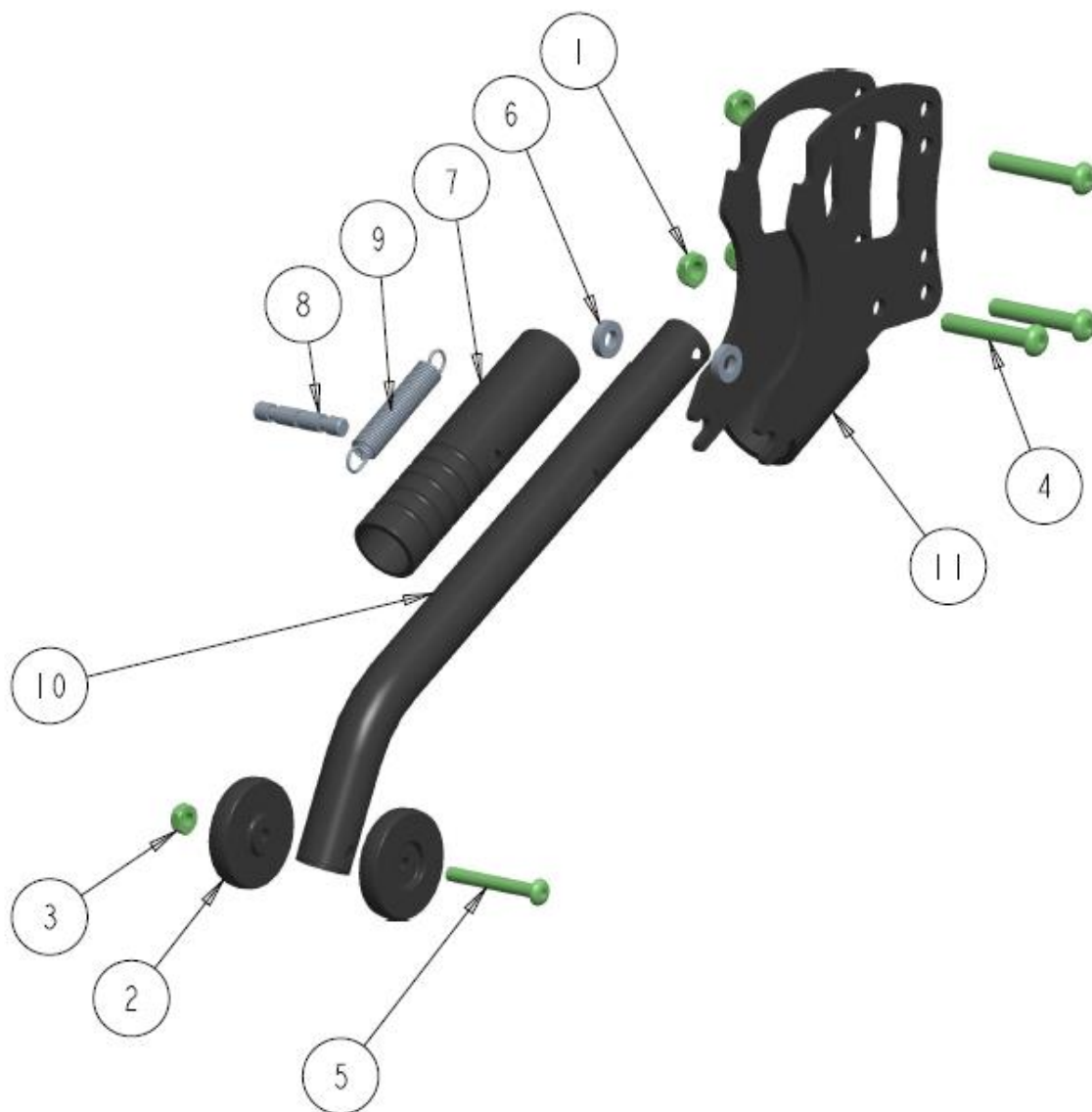


SIMPLE ANTI-TIP WITH EXTENSION ASS'Y – TABLE

ITEM	QTY	NOTES	PART NO.	DESCRIPTION	PRICE/ PER UNIT
1	2		1000408	WHEEL, ANTI-TIP	\$4.17
2	1		1000410	NUT, HEX-NYLOCK THIN, #10-32NF, BLK	\$2.00
3	1		1000448	VALCO SNAP BUTTON DOUBLE END	\$3.50
4	1		1000972	SCREW, SOCKET HEAD BUTTON #10/32X 1 1/2	\$3.00
5	1		1001222	GLIDE BUSHING 0.875 TO 0.75 SIMPLE	\$5.00
6	1		1027677	SIMPLE ANTI-TIP EXTENSION TUBE LONG	\$20.00
7	1		REF	SIMPLE ANTI-TIP ASS'Y (GEN)	REF
	1		1037026	SIMPLE ANTI-TIP ASS'Y WITH STRAIGHT TUBE	\$35.00
	1		1036933	SIMPLE ANTI-TIP ASS'Y WITH X-SMALL TUBE	\$35.00
	1		1036934	SIMPLE ANTI-TIP ASS'Y WITH SMALL TUBE	\$35.00
	1		1036935	SIMPLE ANTI-TIP ASS'Y WITH MED TUBE	\$35.00
	1		1036936	SIMPLE ANTI-TIP ASS'Y WITH LARGE TUBE	\$35.00

NOTES:

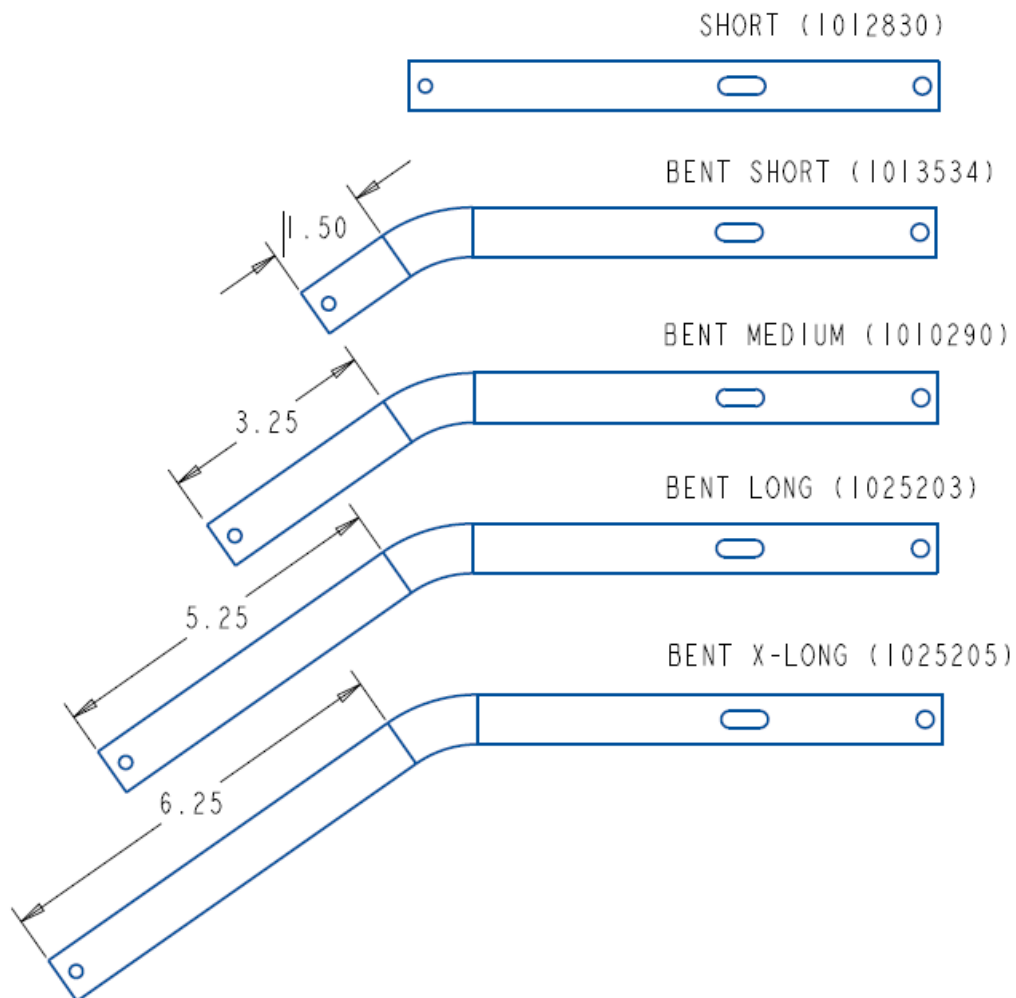
QUICK FLIP ANTI-TIP PLUS ASS'Y



QUICK FLIP ANTI-TIP PLUS ASS'Y – TABLE

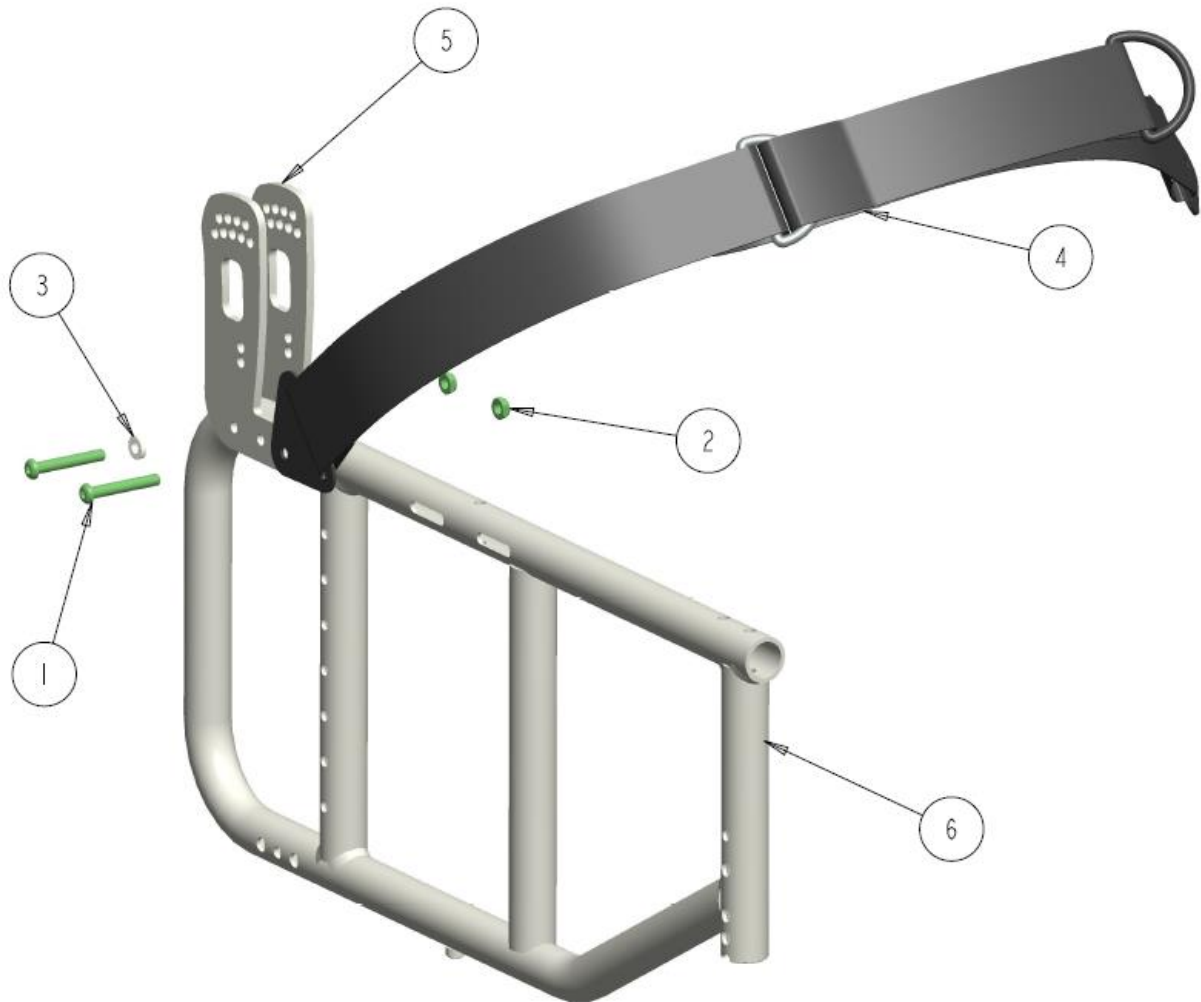
ITEM	QTY	NOTES	PART NO.	DESCRIPTION	PRICE/ PER UNIT
1	3		1000397	NUT, HEX-NYLOCK THIN, 1/4-20NC	\$2.00
2	2		1000408	WHEEL, ANTI-TIP	\$4.17
3	1		1000410	NUT, HEX-NYLOCK THIN, #10-32NF, BLK	\$2.00
4	3		1000493	SCREW, SOCKET HEAD BUTTON 1/4-20 X 1.50	\$3.00
5	1		1000972	SCREW, SOCKET HEAD BUTTON #10/32X 1 1/2	\$3.00
6	2		1001766	SPACER, NYLON 1/4 OD .50 ID .257 THK .125	\$2.00
7	1		1010284	OUTER SLIDE TUBE, ANTI-TIP	\$25.00
8	1		1010285	LOCKING PIN, ANTI-TIP	\$8.00
9	1		1010286	SPRING, EXT .375 OD X 2.24 LG .047 WIRE	\$5.00
10	1		1013534	MAIN TUBE, ANTI-TIP BENT SHORT	\$31.00
	1		1012830	ANTI-TIP SHORT	\$31.00
	1		1010290	ANTI-TIP BENT MEDIUM	\$31.00
	1		1025203	ANTI-TIP BENT LONG	\$31.00
	1		1025205	ANTI-TIP BENT X-LONG	\$31.00
11	1		1024988	LONG ANTI-TIP FRAME MOUNT, FORMED	\$52.00

NOTES:



ACCESSORIES

VELCRO RELEASE POSITIONING BELT



VELCRO RELEASE POSITIONING BELT – TABLE

ITEM	QTY	NOTES	PART NO.	DESCRIPTION	PRICE/ PER UNIT
1	2		1000783	SCREW, SOCKET HEAD BUTTON 1/4-20 X 1.75	\$3.00
2	2		1000397	NUT, HEX-NYLOCK THIN, 1/4-20NC	\$2.00
3	1		1001766	SPACER, NYLON 1/4 OD .50 ID .257 THK .125	\$2.00
4	1		1004091	VELCRO RELEASE POSITIONING STRAP	\$53.00
5	2		1034151	STANDARD CANE MOUNT BRACKET	\$48.00
6	1		REF	STELLATO II, HIGH SIDE FRAME, RT, 18"	REF
			1036938	KIT, VELCRO RELEASE POSITIONING STRAP (ITEMS 1-4)	\$55.00

NOTES:

STELLATO II I.V POLE MOUNTED ASS'Y



STELLATO II I.V POLE MOUNTED ASS'Y - TABLE

ITEM	QTY	NOTES	PART NO.	DESCRIPTION	PRICE/ PER UNIT
1	1		1002708	SCREW, SOCKET HEAD BUTTON 1/4-20 X 2.00	\$3.00
2	1		1000397	NUT, HEX-NYLOCK THIN, 1/4-20NC	\$2.00
3	1		1007216	TELESCOPING I.V POLE FOLDING CHAIR	\$178.00
4	1		REF	STELLATO II I.V POLE FRAME REF	REF
			1036939	KIT, TELESCOPING I.V POLE FOLDING CHAIR (ITEMS 1-3)	\$165.00

NOTES: