



xenon²

PARTS MANUAL

SEPTEMBER 2022



improving people's lives

Product

Cover.....	1
Product.....	1
QUICKIE XENON 2.....	6
GLOSSARY OF ABBREVIATIONS.....	6
BASE FRAME.....	6
FRAMES.....	6
HYBRID DUAL TUBE FRAME.....	7
FIXED FRONT FRAME.....	9
SWING-AWAY FRAME.....	11
X-BRACE.....	13
ANTI-TIPS.....	14
ANTI-TIP.....	15
ANTI-TIP (SWING-AWAY).....	17
AXLE AND AXLE PLATE.....	17
AXLE PLATE.....	18
QUICK RELEASE AXLES MATRIX.....	19
CASTERS AND FORKS.....	19
CASTERS.....	19
MICRO CASTERS.....	20
3 SPOKE CASTERS.....	21
SOFT ROLL CASTERS.....	23
ALUMINUM CASTERS.....	24
ALUMINUM SOFT ROLL CASTERS.....	25
FORKS.....	25
FROG LEG SUSPENSION FORK.....	26
SINGLE SIDED FORK.....	28
174MM MULTI POSITION FORK XENON S/A.....	30
MULTIPLE POSITION FORK XENON 2.....	31
WHEEL LOCKS.....	32
HIGH MOUNT PULL WHEEL LOCK.....	33
HIGH MOUNT PUSH WHEEL LOCK.....	35
COMPACT WHEEL LOCK.....	37
COMPACT WHEEL LOCK - DIRECT MOUNT.....	38
DRUM BRAKE WITH REAR WHEEL.....	39
ERGO SCISSOR WHEEL LOCK.....	41
WHEELS & TIRES.....	41
WHEELS.....	41
SPINERGY SPOX (18 SPOKE).....	42
SPINERGY LX (12 SPOKE).....	43
SPINERGY SPORT LT EX (18 SPOKE).....	45
MOUNTAIN.....	47
PROTON (24 SPOKE).....	48
ULTRA LITE SPOKE.....	49
NEW ULTRA LITE SPOKE.....	50
TIRES.....	51
SCHWALBE DOWNTOWN TIRE.....	52
PNEUMATIC & PNEU. AIRLESS TIRE.....	53
FULL POLY TIRE.....	54
SHOX TIRE.....	55
BLACK HIGH PRESSURE CLINCHER.....	56
SCHWALBE MARATHON PLUS TIRE.....	57
KNOBBY V-TRACK TIRE.....	58
MOUNTAIN TIRE.....	59
SCHWALBE ONE TIRE.....	60
HANDRIMS.....	60
ALUMINUM ANODIZED (TAB MOUNT).....	61
ALUMINUM ANODIZED (SCREW MOUNT).....	62
ALUMINUM ANODIZED 5 SPOKE MAG (SCREW MOUNT).....	63
ULTRA LITE ANODIZED (TAB MOUNT).....	64
PLASTIC COATED (SCREW MOUNT).....	65
PLASTIC COATED (REG TAB MOUNT).....	66
NATURAL FIT (SCREW MOUNT).....	67
NATURAL FIT (TAB MOUNT).....	69
THE SURGE (TAB MOUNT).....	71
THE SURGE (SCREW MOUNT).....	72
Q-GRIP (TAB MOUNT).....	73
Q-GRIP (SCREW MOUNT).....	74
ULTRA LITE POWDER COATED (TAB MOUNT).....	75
ALUMINUM POWDER COATED (TAB MOUNT).....	76
ALUMINUM POWDER COATED (SCREW MOUNT).....	78

TUBES	80
TUBES AND AIRLESS INSERTS	80
SEATING AND POSITIONING.....	80
SEAT	80
2" SEAT CUSHION	81
SEAT SLING	83
SEAT SLING WITH BAG.....	85
BACKRESTS.....	86
BACKREST UPHOLSTERY.....	86
TENSION ADJUSTABLE EXO PRO UPHOLSTERY XENON 2.....	87
EXO BACK UPHOLSTERY STD.....	93
TENSION ADJUSTABLE EXO UPHOLSTERY XENON 2.....	95
STANDARD BACKREST	101
ANGLE ADJUSTABLE BACKREST.....	103
HEIGHT ADJUSTABLE PUSH HANDLES.....	105
PUSH HANDLES.....	106
STABILIZER BAR AUTOFOLDING.....	107
STABILIZER BAR SWING AWAY	108
HANGERS AND FOOTRESTS.....	109
SWING AWAY HANGERS	109
70 DEG & 80 DEG SWING-AWAY HANGER	110
ELEVATING LEGREST (ELR)	111
FOOTPLATES.....	111
COMPOSITE FOOTPLATE.....	112
COMPOSITE ANGLE ADJUSTABLE FOOTPLATE	114
ALUMINUM ANGLE ADJ FOOTPLATES (DIVIDED FOOTPLATES).....	116
MULTI ANGLE ADJUSTABLE FOOTPLATE Z-FINITY	117
PLATFORM ALUMINUM ANGLE ADJ FOOTPLATE	119
PLATFORM COMPOSITE FOOTPLATE	121
PLATFORM ALUMINUM ANGLE ADJ HIGH MOUNT FOOTPLATE Z-FINITY	123
PLATFORM ULTRA LITE FOOTPLATE	125
PLATFORM CARBON FOOTPLATE	127
HIGH MOUNT FOOTREST CLAMP	129
ADJUSTABLE LEG STRAP	131
SWING AWAY LEG STRAP.....	132
FIXED FRONT AND DUAL TUBE FOOTPLATES.....	132
PLATFORM ALUMINUM ANGLE ADJ FOOTPLATE	133
PLATFORM COMPOSITE FOOTPLATE	135
PLATFORM ULTRA LITE FOOTPLATE	137
PLATFORM CARBON FOOTPLATE	139
AUTO-FOLD(ING) PLATFORM CARBON FIBER FOOTPLATE	141
AUTO-FOLD(ING) PLATFORM COMPOSITE FOOTPLATE	143
HIGH MOUNT FOOTREST CLAMP	145
ARMRESTS	146
DESK SIDEGUARD FIXED FLIP UP (NO PAD).....	147
DESK SIDEGUARD FIXED FLIP UP	148
DESK SIDEGUARD HEIGHT ADJ FLIP UP	149
SIDEGUARD (SINGLE POST HEIGHT ADJ ARMPAD DEPTH ADJ)	151
PADDED TUBULAR ARMREST	152
FIXED PADDED TUBULAR ARMREST.....	153
ACCESSORIES	154
SIDE GUARDS.....	154
PLASTIC SIDE GUARD	155
SIDEGUARD (ALUMINUM).....	156
SIDEGUARD WITH FENDER (CARBON FIBER).....	157
SIDEGUARD WITHOUT FENDER (SLIM STYLE) (CARBON FIBER).....	158
TRAYS	158
TRAY	159
TRAY RIBS TUFFAK.....	161
PADDED STOMACH CUTOUT.....	162
PROTRACTOR PAD.....	163
HINGED OVERLAY NON-REMOVABLE	164
HINGED OVERLAY REMOVABLE	165
BACKPACKS AND SEAT POUCHES.....	167
QUICKIE CADDY	168
CRUTCH HOLDER WITH VELCRO STRAP	169
AUTO BUCKLE POSITIONING BELT XENON 2.....	170
MOBILE PHONE POCKET	171
IMPACT GUARD NEOPRENE & GEL VELCRO PADS.....	172
SPOKE GUARDS QUICKIE (Black & Clear).....	173

LOWER EXTREMITY SUPPORT	175
TIP ASSIST	176
TIRE PUMP	177
TOOL KIT	178
WATER BOTTLE AND CAGE	179

GLOSSARY OF ABBREVIATIONS

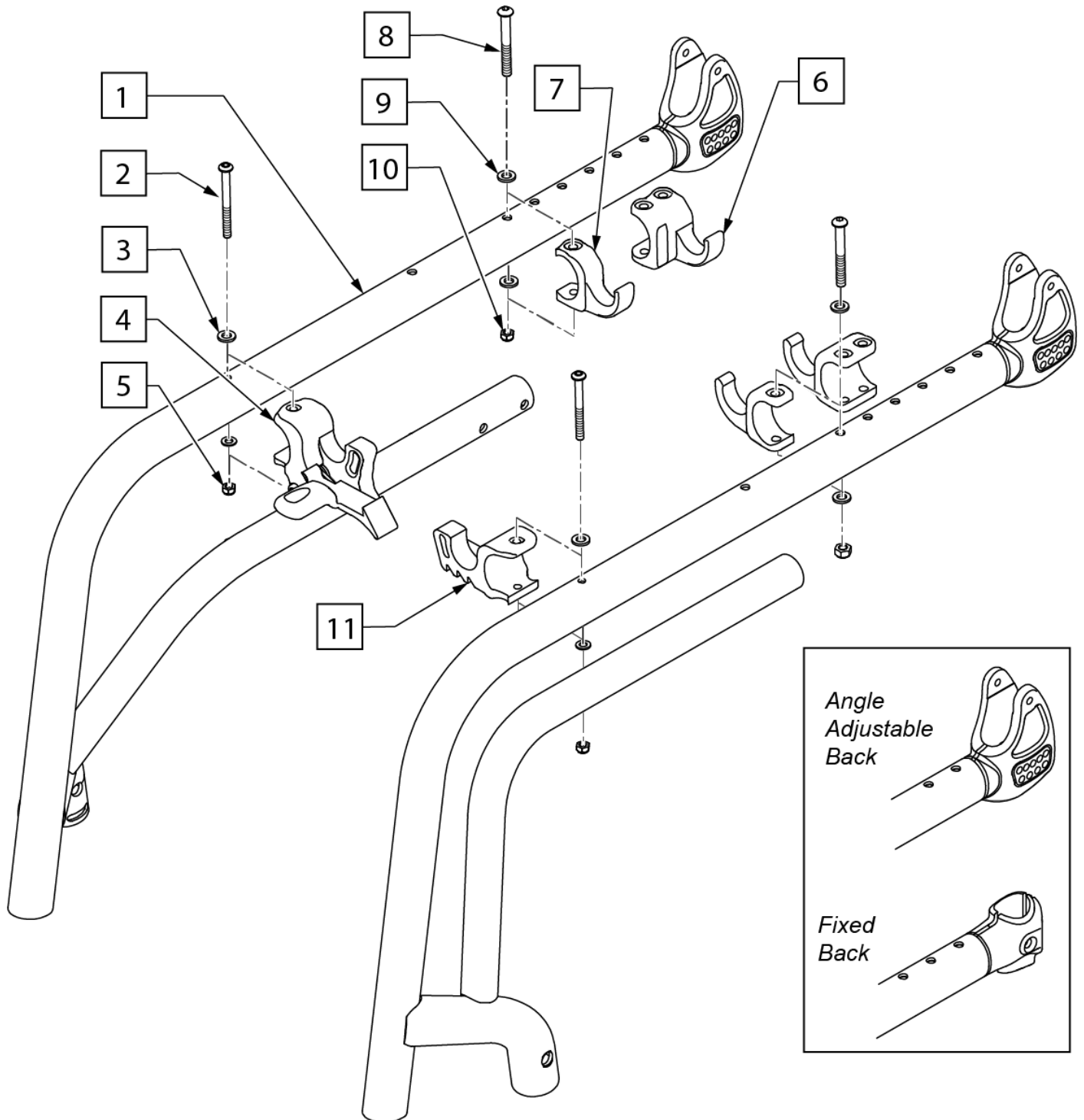
Note: see Informations Panel for file.

1AD One Arm Drive	CZ Cozy	INH Inhibit	PCB Pediatric Center of Gravity (AKA: Zippie Iris)	S/A Swing Away
3DCR 3DX Microclimatic cover for Cryo style inserts	DAB Depth-adjustable Back	INORG Inorganic coating	PCM Power Center Mount	S/F Side F frame
AAA Adult Angle Adjustable	DB Dynamic Back	INSRT Insert	PED Pediatric	SCW Screw
AACM Adjustable Center Mount	DBL Double	I/O Swing In Out	PEL Pelvic	SDLE Saddle
ABD Abductor	DC Deep Contour	IRIS Intelligent Rotation in Space	PH Push Handle	SG Side Guard
AC All Court	DL Desk Length	ISM Intelligent Seating Module	PHIL Phillips	SGTG Super Grip Thumb Guard
AD Arm Drive	DP Dual Post Armrest	JA Jay Active	PL Pin Lock	SHCS Socket Head Cap Screw
ADJ Adjustable	D-Post Dual Post Armrest	JNR Junior	PL Plated	SHLDR Shoulder
ADPT Adapter	DRP Drop (seat)	KAA Kids Angle Adjustable	PLL Pull	SHT Short
AE Air Exchange	DRV Drive	KDS Kids	PLT Plate	SLD Solid
AHAB ASAP II	DTT Diagnostic Test Tool	KT Kit (usually consists of all mounting hardware for one side)	PLST Plastic	SLNG Sling
ANG Angle	DY Dynamic Back	KVLR Kevlar	PLY Plywood	SLTD Slotted
ALR Articulating Legrest	EA Each	KZ Quickie Kidz/Zippie Kidz	PNEU Pneumatic	SLV Sleeve
ALUM Aluminum	ELR Elevating Legrest	L Left	PNK Pink	SM Small
AMH Adjustable Mounting Hardware	EXT Extension	LAT Lateral	PNT Paint	SNGL Single
ANO Anodized	EXTND Extended	LCK Lock	PNTD Painted	SOC Socket
ASAP Adjustable Seating and Positioning	F Folding Frame	LFH Left Front Horizontal	POLY Polyurethane	SPCR Spacer
ASL Adaptive Switch Laboratories	FHCS Flat Head Cap Screw	LFT Left	POST Posterior	SPEC CLR Specify Color
ASM Assembly (includes other parts)	FL Full Length	LFV Left Front Vertical	PR Pressure Relieving	SPIA Single Post Height Adjustable
ASSM Assembly	FLD Folding	LH Left Hand	PR Power Recline	SPK Spoke
ASSMLY Assembly	FL FT Flip-up Footrest	LH Left Horizontal	PR Pair	SPR Super Grip Handrim
ASSY Assembly	FLP Flip	LK Lock	PR (PR) Pair	SQZ Squeeze
AT Anti-tip	FLRD Flared	LNG Long	PRCR Premium Leatherette cover for Cryo style inserts	SS Stainless Steel
ATT Attachment	FM Foam	LO Lift Off	PRE-ISC Pre-Ischial	ST Seat
BB Basketball	FM Front Mount	L/O Lift Off	PREM Premium Leatherette cover material	ST/AP Self Tapping
BC Breezy Chrome	FNDR Fender	LP Loop	PROJ Projection	STCR Stretch Cover for Cryo Style inserts
BCK Back	FPH Folding Push Handle	LPS Loops	PRPL Purple	STD Standard
BCKBRD Backboard	FT Foot	LRG Large	PTL Partial	STL Style
BH Bultion Head	F/REST Footrest	LRH Left Rear Horizontal	PSH Push	STR Stretch cover material
BHCS Bultion Head Cap Screw	FRNT Front	LRV Left Rear Vertical	PT Point	STRLR Stroller
BKL Buckle	FT PLT Footplate	LS Low Sheer	PTRN Pattern	STRT Straight
BKRST Backrest	FTRST Footrest	LT Long Tab	PWR Power	SUP Support
B-LOCK Back Lock	F/UP Flip-up	LT Natural Fit Lite Handrims	Q1 Quickie 1	SYS System
BLD Build Up	FWD Front Wheel Drive	LTRL Lateral	Q2 Quickie 2	T Tab
BLK Black	FXT Fixed	LUMB Lumber	Q2HP Quickie 2 High Performance	TG Thumb Guard (std)
BLU Blue	G8 Grade 8 higher grade = stronger	LV Left Vertical	QC Quickie Carbon	THRD Threaded
BR Breezy	GP Quickie GP	LW Low	QR Quick Release	Ti Titanium
BRD Board	GPS Quickie GPS	LX Quickie LX	QRx Quickie RX	TL Tall
BRNG Bearing	GPV Quickie GPV	LXI Quickie LXi	QTI Quickie Titanium	TLC Tilt Lift Comb
BRKT Bracket	GNRC Generic	MACH Machine	QT/QTs Quickie Tilt & Space	TLT Tilt
BSHNG Bushing	H Hole	MECH Mechanism	QUAD Quadrant Pad	TNNS Tennis
BT TN Bultion	HB High Brake	MED Medium	R Right	TIS Tilt-in-Space
BTTRY Battery	HD Head or Heavy Duty	mm Millimeter	RCLNR Recliner	TTS Tilt-in-Space
BZ Breezy	HVD Heavy Duty	MNT Mount	REC Receiver	UNIV Universal
CAA Composite Angle Adjustable	HDRST Headrest	MNTG Mounting	REG Regular	UNTHRD Unthreaded
CG Center of Gravity	HDWR Hardware	MOD Modify or Modification	REL Release	UPH Upholstery
CGT Center of Gravity Tilt (AKA: IRIS)	HEX Hexagon	M/S Machine Screw	REV Reverse	VERT Vertical
CHRGR Charger	HH Hemi-Height or Hex Head	MWD Mid Wheel Drive	RH Right Hand	W With
CJSM Color Joystick Module	HK Hook	Nat.Fit Natural Fit Handrim	RH Right Horizontal	WD Wide
CLMP Clamp	HL Heel Loops	NAUG Naugahyde	RFH Right Front Horizontal	W/F Water Fall
CLNCHR Cincher	HM High Mount	NF Non-folding	RFV Right Front Vertical	W/O Without
CLR Clear	HNDL Handle	NF Natural Fit Handrim	RNUT(S) Rivnut(s)	WHL Wheel
COMP Complete	HNGR Hanger	NFLT Natural Fit Lite Handrim	RoHS Restriction of Hazardous Substances	WLDMNT Weldment
CMPST Composite	HP High Pressure	NR Non-recessed	RR Rear	XS Cross Spoke
CRM Chrome	HR Handrim	OBLIQ Obliquity	RRH Right Rear Horizontal	YLW Yellow
C/S Cap Screw	HRDWR Hardware	OD Oblique	RRV Right Rear Vertical	Z2 Zippie 2
C-S Countersunk	HRNSS Harness	OD Outer/Outside Dimension	RT Right	ZN Zinc
CSTR Caster	HS High Speed	O/S Old Style	RV Right Vertical	ZP Zippie
CUSH Cushion	HT Height or Heat Treated	OUTBRD Outboard	RV Quickie Revolution	ZP2 Zippie 2
CV Conventional	ID Inner/Inside Dimension Diameter	P1 Quickie P100	RWD Rear Wheel Drive	
CVR Cover	IN In/Out (for swing in/out hangers)	P2 Quickie P200	SA Swing Away	
CVRS Covers	INBRD Inboard	P3 Quickie P300		
CYL Cylinder	INC Incontinent	P5 Quickie/Zippie P500		

Pos.	Item Number	Description	Remarks
		GLOSSARY OF ABBREVIATIONS	see attachment in Informations Panel

Note: when ordering replacement frame specify: Angle Adjustable or Fixed Back, Seat Depth,Front Seat Height,Frame Angle and Color.

Note: when deciding on low/high frames, see 'Fixed Front and Hybrid Frame Front Seat Height Matrix' in informations panel.



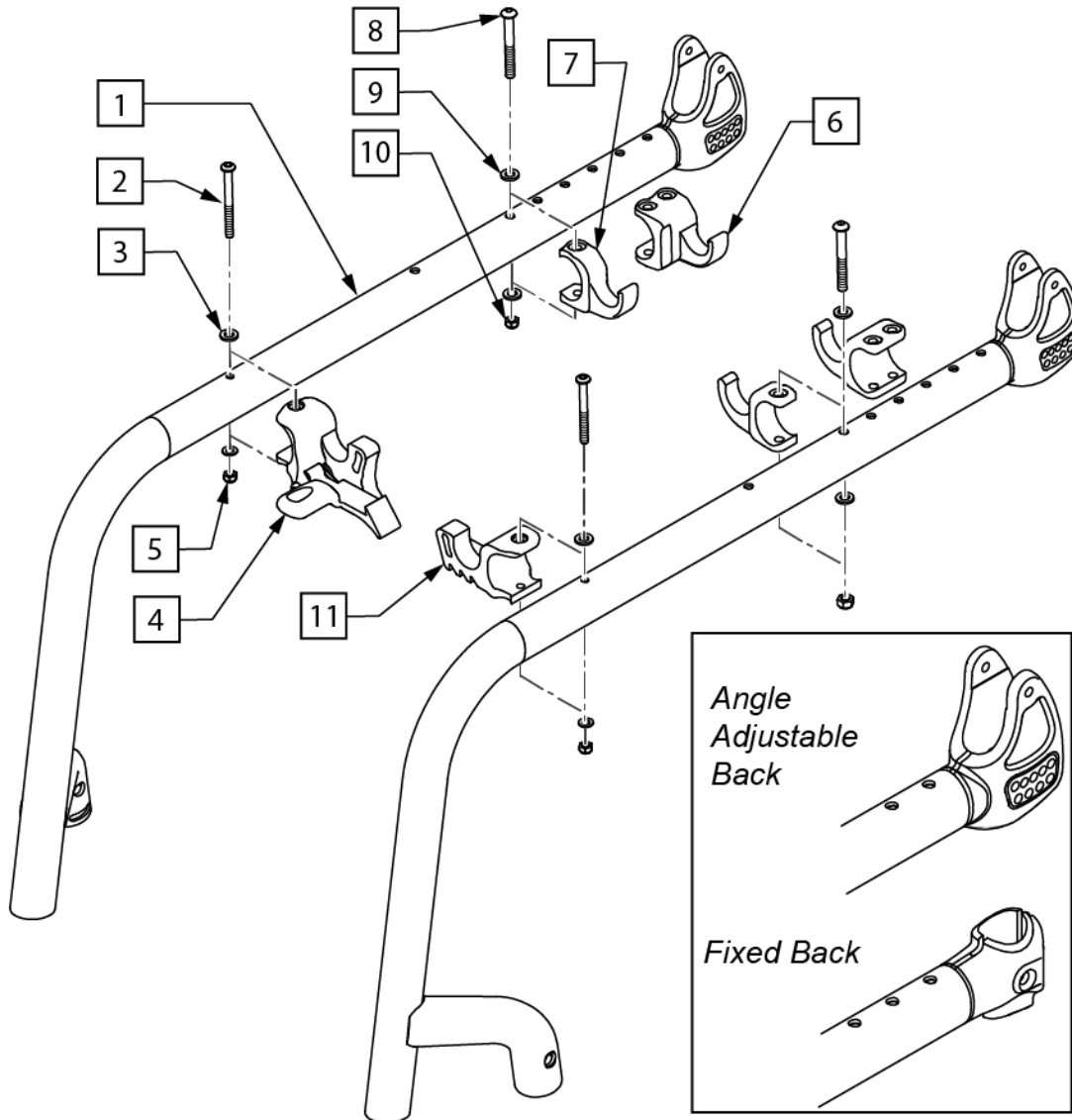
Pos.	Item Number	Description	Remarks
1	163253S	HYBRID FRAME 80 DEG. LOW LHS	Left
1	163254S	HYBRID FRAME 80 DEG. LOW RHS	Right
1	163255S	HYBRID FRAME 88 DEG. LOW LHS	Left
1	163256S	HYBRID FRAME 88 DEG. LOW RHS	Right
1	163257S	HYBRID FRAME 80 DEG. HIGH LHS	Left
1	163258S	HYBRID FRAME 80 DEG. HIGH RHS	Right
1	163259S	HYBRID FRAME 88 DEG. HIGH LHS	Left
1	163260S	HYBRID FRAME 88 DEG. HIGH RHS	Right
6,8-10	76802028-001	SUPPORT BEHIND WIDE	
7-10	76802028-002	SUPPORT BEHIND NARROW	Used when Std Adapter set @ CG 6cm or Light Weight Adapter set @ CG 8cm chosen on the chair.
2-5,11	068823-001	SEAT CLIP KIT FOR XENON 0cm INSET	For zero inset frames

Note: when ordering replacement frame specify: Seat Depth, Back Type (Angle Adjustable or Fixed), Frame Height (High or Low), Caster Length (Short or Long), Direct Wheel Lock Mount (Yes or No), and Color.

Note: Direct Mount Wheel Lock option only available with Fixed Front Frame and with Compact Wheel Lock, 0 Degree & 2 Degree Camber and 24"-25" Rear Wheels; no Mounting Clamp Hardware.

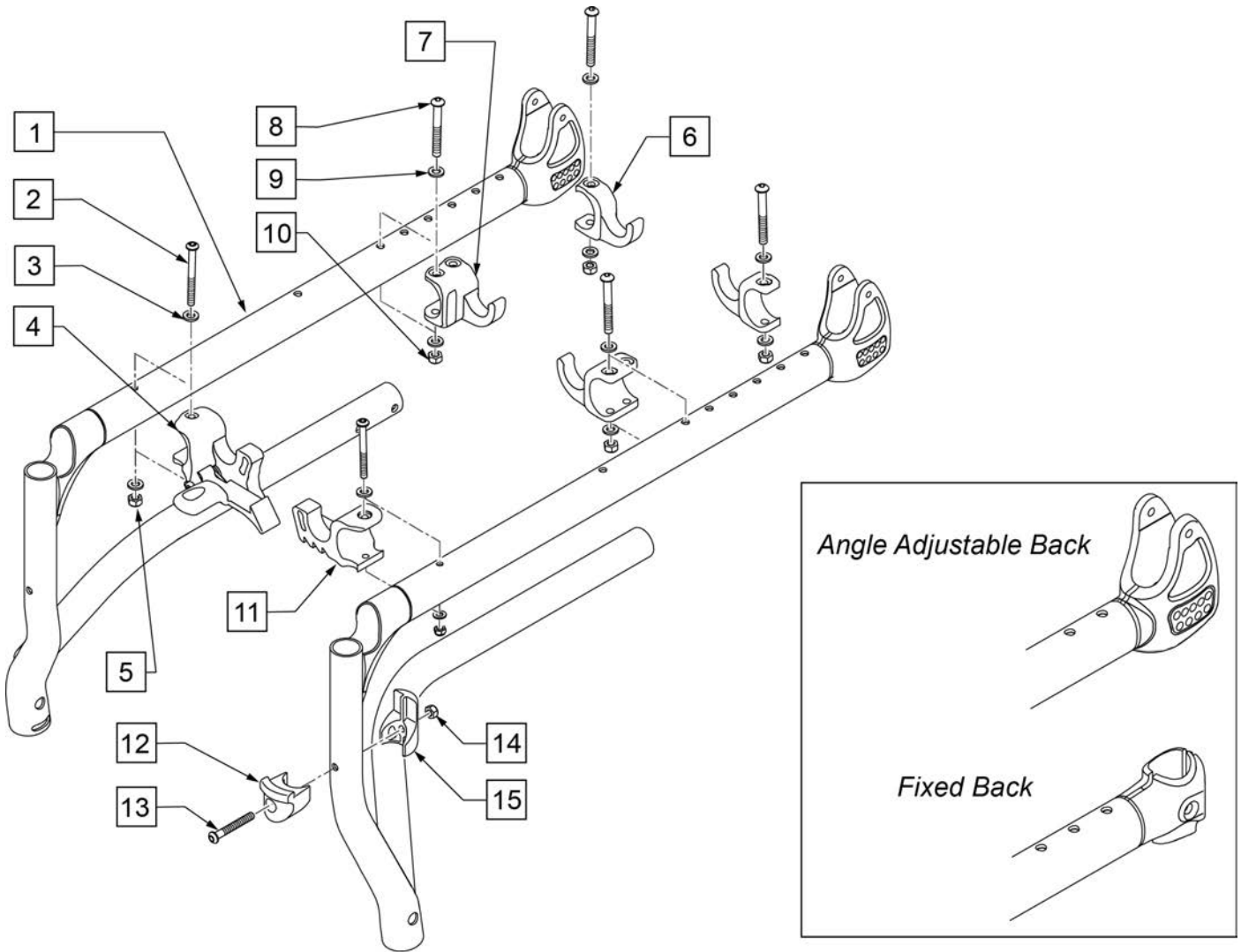
Note: Direct Mount Wheel Lock option NOT AVAILABLE with Fixed Front Frame with: Aluminum or Carbon Fiber Sideguards, Mountain Wheels, 34-40cm Seat Depths, Height Adjustable Armrests, Carbon Package, or Desk Sideguard.

Note: when deciding on low/high frames, see 'Fixed Front and Hybrid Frame Front Seat Height Matrix' in informations panel.

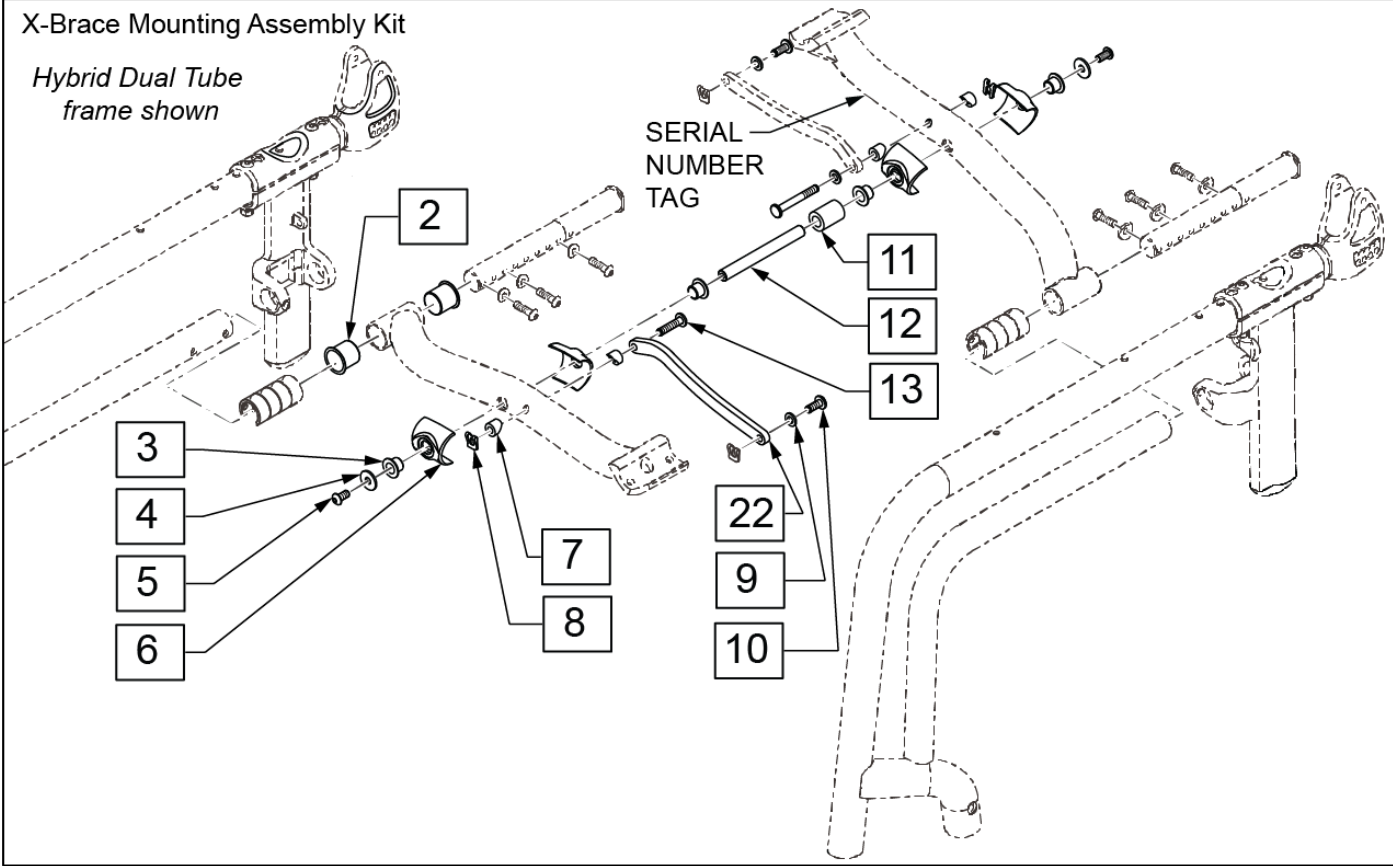
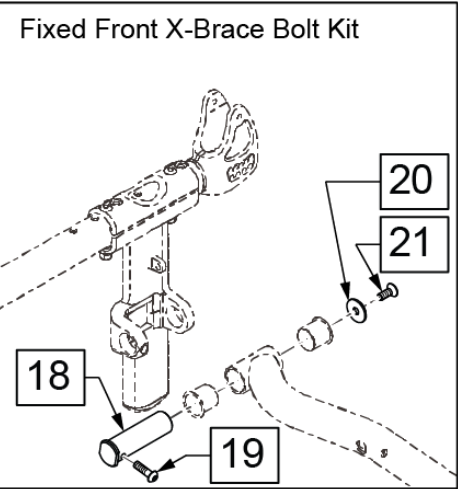
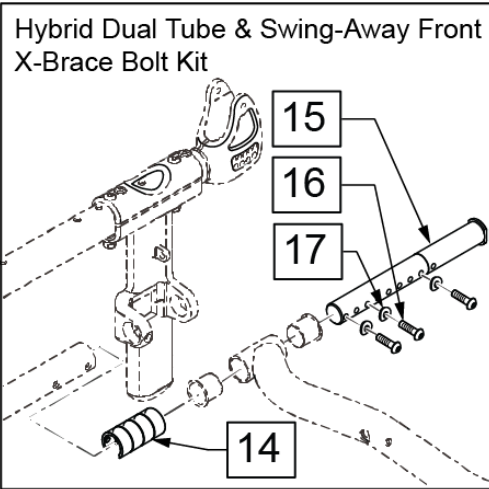
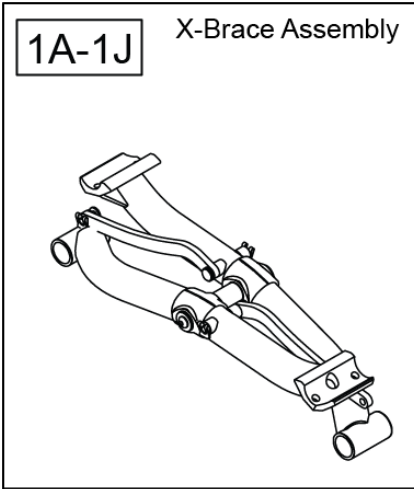


Pos.	Item Number	Description	Remarks
1	163261S	FIXED FRONT FRAME 80 DEG. 0 INSET LHS	Left
1	163262S	FIXED FRONT FRAME 80 DEG. 0 INSET RHS	Right
1	163263S	FIXED FRONT FRAME 88 DEG. 0 INSET LHS	Left
1	163264S	FIXED FRONT FRAME 88 DEG. 0 INSET RHS	Right
1	163265S	FIXED FRONT FRAME 80 DEG. 1 INSET LHS	Left
1	163266S	FIXED FRONT FRAME 80 DEG. 1 INSET RHS	Right
1	163267S	FIXED FRONT FRAME 88 DEG. 1 INSET LHS	Left
1	163268S	FIXED FRONT FRAME 88 DEG. 1 INSET RHS	Right
6,8-10	76802028-001	SUPPORT BEHIND WIDE	
7-10	76802028-002	SUPPORT BEHIND NARROW	Used when Std Adapter set @ CG 6cm or Light Weight Adapter set @ CG 8cm chosen on the chair.
2-5,11	068823-001	SEAT CLIP KIT FOR XENON 0cm INSET	For zero inset frames
2-5,11	068823-002	SEAT CLIP KIT FOR XENON 1cm INSET	For 1 cm inset frames

Note: when ordering replacement frame specify: Angle Adjustable or Fixed Back, Seat Depth, and Frame Color.

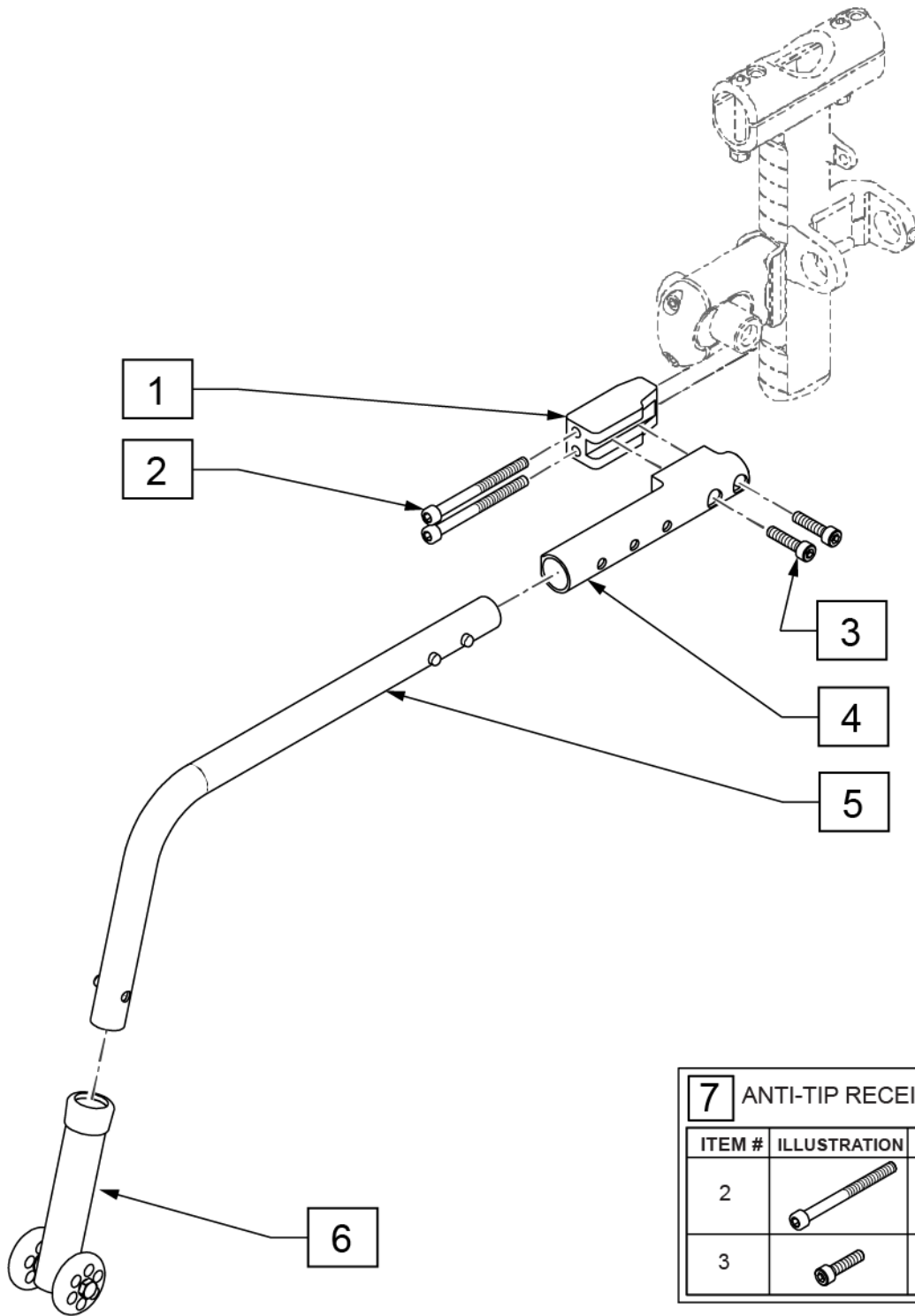


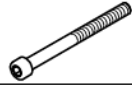

Pos.	Item Number	Description	Remarks
1	163251S	SWING AWAY FRAME LHS	Left
1	163252S	SWING AWAY FRAME RHS	Right
7-10	76802028-001	SUPPORT BEHIND WIDE	
6,8-10	76802028-002	SUPPORT BEHIND NARROW	Used when Std Adapter set @ CG 6cm or Light Weight Adapter set @ CG 8cm chosen on the chair.
2-5,11	068823-001	SEAT CLIP KIT FOR XENON 0cm INSET	For zero inset frames
2-5,11	068823-002	SEAT CLIP KIT FOR XENON 1cm INSET	For 1 cm inset frames
12	76705018	LOCKING ELEMENT	
13	000102056.01	BHCS M6X45/10 T30 8.8 GEO PL	
14	058903	NUT DIN985 M6 A2-70 ZN	
15	76702028	HANGER BLOCK FOR D6	



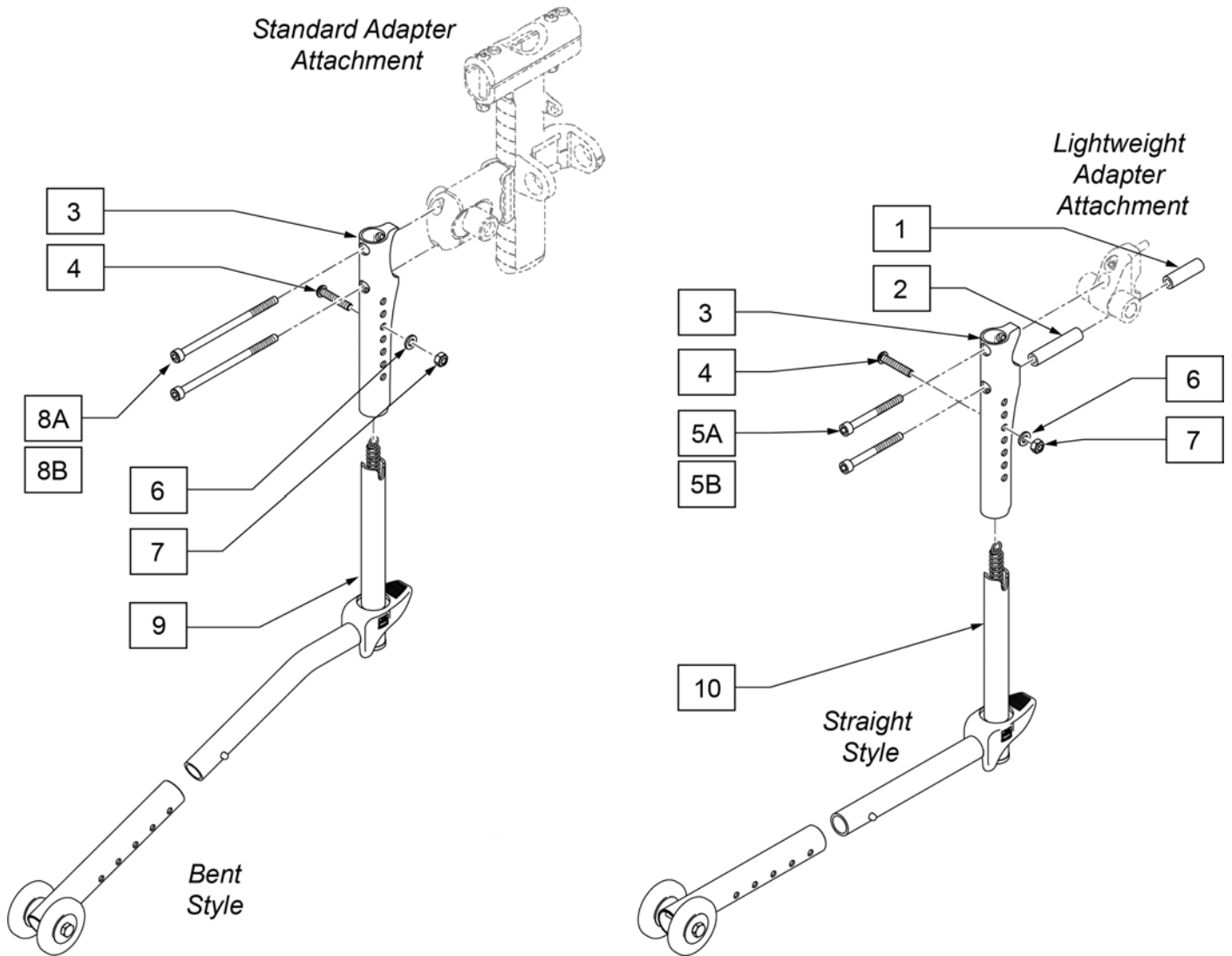
Pos.	Item Number	Description	Remarks
1A	162577S	X-BRACE ASSEMBLY 32CM 12.6"	
1B	162578S	X-BRACE ASSEMBLY 34CM 13.4"	
1C	162579S	X-BRACE ASSEMBLY 36CM 14.2"	
1D	162580S	X-BRACE ASSEMBLY 38CM 15.0"	
1E	162581S	X-BRACE ASSEMBLY 40CM 15.7"	
1F	162582S	X-BRACE ASSEMBLY 42CM 16.5"	
1G	162583S	X-BRACE ASSEMBLY 44CM 17.3"	
1H	162584S	X-BRACE ASSEMBLY 46CM 18.1"	
1I	162585S	X-BRACE ASSEMBLY 48CM 18.9"	

Pos.	Item Number	Description	Remarks
1J	162586S	X-BRACE ASSEMBLY 50CM 19.7"	
2-13	76802028	MOUNTING PARTS FOR XBRACE SW32-36	chairs 32-36 wide
2-13	76802029	MOUNTING PARTS FOR XBRACE SW38-50	chairs 38-50 wide
14-17	76802002-000	BOLT COMPLETE HYBRID AND SA	Pair
18-21	76802001-000	BOLT COMPLETE CROSS BRACE FF	Pair
7-10,13,22	163302	X-HINGE KIT XENON 32	
7-10,13,22	163303	X-HINGE KIT XENON 34	
7-10,13,22	163304	X-HINGE KIT XENON 36	
7-10,13,22	163305	X-HINGE KIT XENON 38	
7-10,13,22	163306	X-HINGE KIT XENON 40	
7-10,13,22	163307	X-HINGE KIT XENON 42	
7-10,13,22	163308	X-HINGE KIT XENON 44	
7-10,13,22	163309	X-HINGE KIT XENON 46	
7-10,13,22	163310	X-HINGE KIT XENON 48	
7-10,13,22	163311	X-HINGE KIT XENON 50	



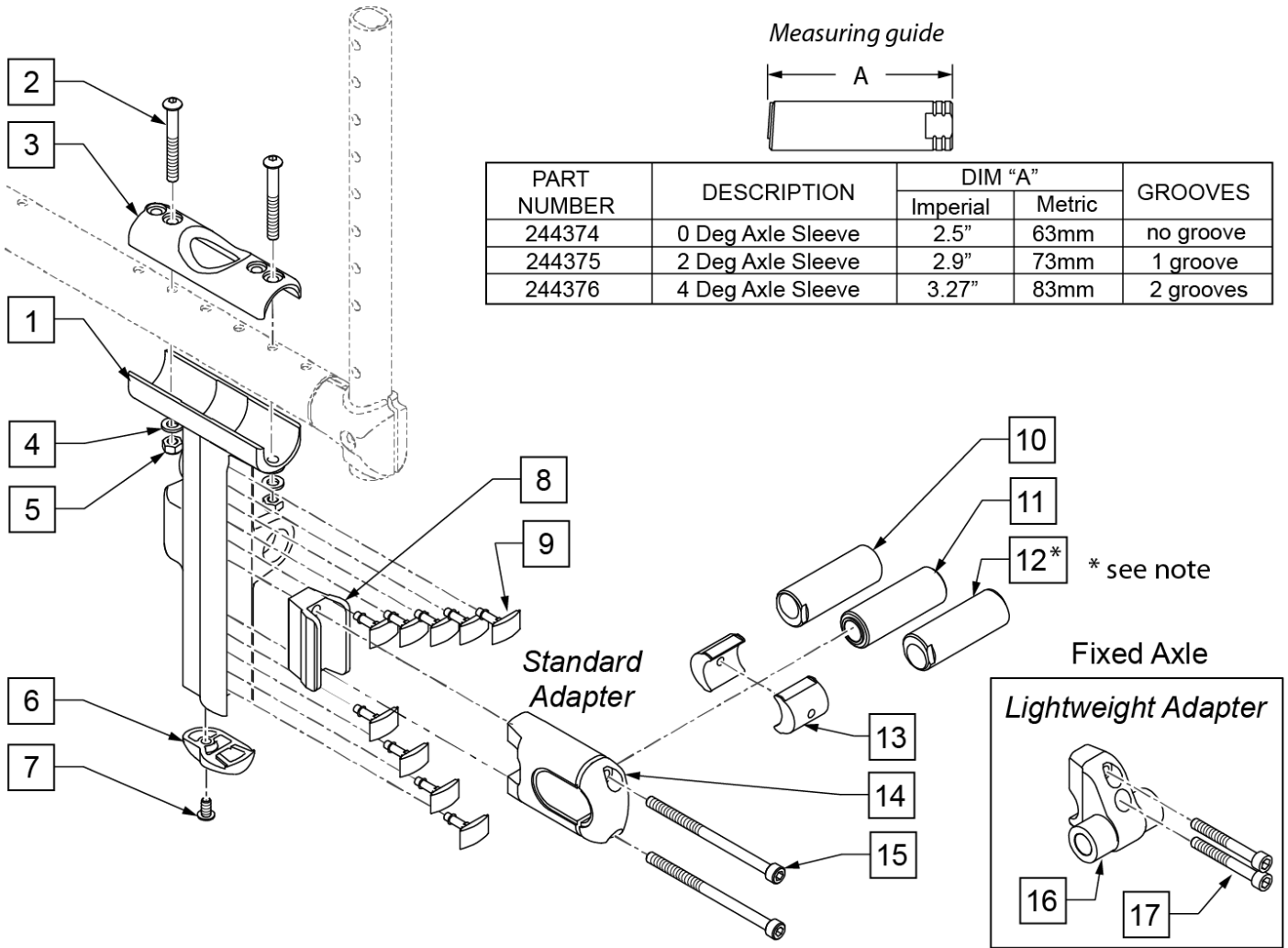
7 ANTI-TIP RECEIVER FASTENERS			
ITEM #	ILLUSTRATION	DESCRIPTION	QTY
2		SHCS M6X70 DIN912 8.8 DPS NP	2
3		SHCS, M6X1X25, FULL, PL	2

Pos.	Item Number	Description	Remarks
4	162588	ANTI-TIP RECEIVER XENON	
5,6	162589	ANTI-TIP TUBES RH 24/25	Right
5,6	162590	ANTI-TIP TUBES LH 24/25	Left
1-6	162591	ANTI-TIP RETRO KIT RH XENON	Right
1-6	162592	ANTI-TIP RETRO KIT LH XENON	Left
6	104639	ANTI TIP ARM ADJ. MED	
7	162587	ANTI-TIP RECEIVER FASTENERS	2 of each for 1 side

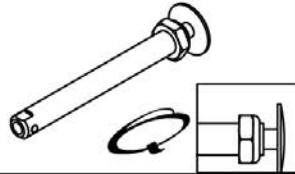
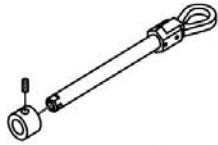
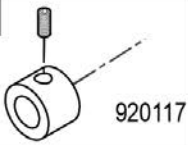
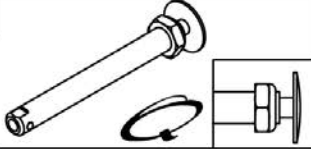
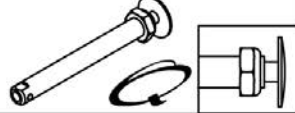


Pos.	Item Number	Description	Remarks
5A	000102010	SHCS DIN912 M6X60 A2-70 NP	w/out COG Spacer
5B	000102001	SHCS DIN912 M6X50 8.8 ZN NP	w/ COG Spacer
8A	000102334	SHCS M6X95 DIN912 10.9 DPS NP	w/out COG Spacer
8B	000102340	SHCS M6X110 DIN912 8.8 ZN NP	w/ COG Spacer
3,4,6,7,10	76807553-001	ANTI-TIP TUBE, SWING AWAY	24" Wheels
3,4,6,7,9	76807552-001	ANTI-TIP S/A BENT VERS. STND	25" Wheels
2-4,6,7,10	76807553-002	ANTITIP LIGHTWEIGHT STRAIGHT	24" Wheels
1,3,4,6,7,10	76807553-003	ANTITIP LW STR PASSIVE ADAPT	24" Wheels
2-4,6,7,9	76807552-002	ANTITIP KPL LIGHTWEIGHTT SA	25" Wheels
1,3,4,6,7,9	76807552-003	ANTITIP LW SA PASSIVE ADAPT	25" Wheels

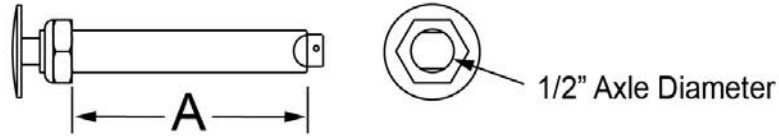
Note: if switching to 4 Deg Camber, new longer wheel lock clamps are required; order 2 each of p/n 114441 Wheel Lock Clamp Kit.



Pos.	Item Number	Description	Remarks
1-7,9	162601S	XE AXLE BRACKET PAINTED PAIR	Pair
6,7	162598	BOTTOM PLUG KIT	Pair
8	76807017	COG SPACER (PASSIVE ADAPTER)	Universal; allows for more rearward (passive) CoG by 1cm
9	162597	AXLE PLATE PLUG 9 PC KIT	9 plugs
10	244374	0DEG AXLE SLEEVE	
11	244375	2DEG AXLE SLEEVE	
12	244376	4DEG AXLE SLEEVE	See Note
13-15	76807101-001	STD SHAFT ADAPTER NO ATTACH	for use w/out additions
13-15	76807101-002	STD SHAFT ADAPT W/O PASSIVE AD	for use w/Anti-tip or Passive Adapter
13-15	76807101-003	STD SHAFT W PASSIVE ADAP	for use w/Anti-tip and Passive Adapter
15	162600	STANDARD AXLE PLATE BOLT KIT	4 pair, 4 lengths
16	162595	AXLE RECEIVER LTWT	
16,17	162596	AXLE RECEIVER LTWT W/FASTENERS	1 side, includes all fastener configurations
17	162599	LT WT ADAPTOR BOLT KIT	3 pair, 3 lengths

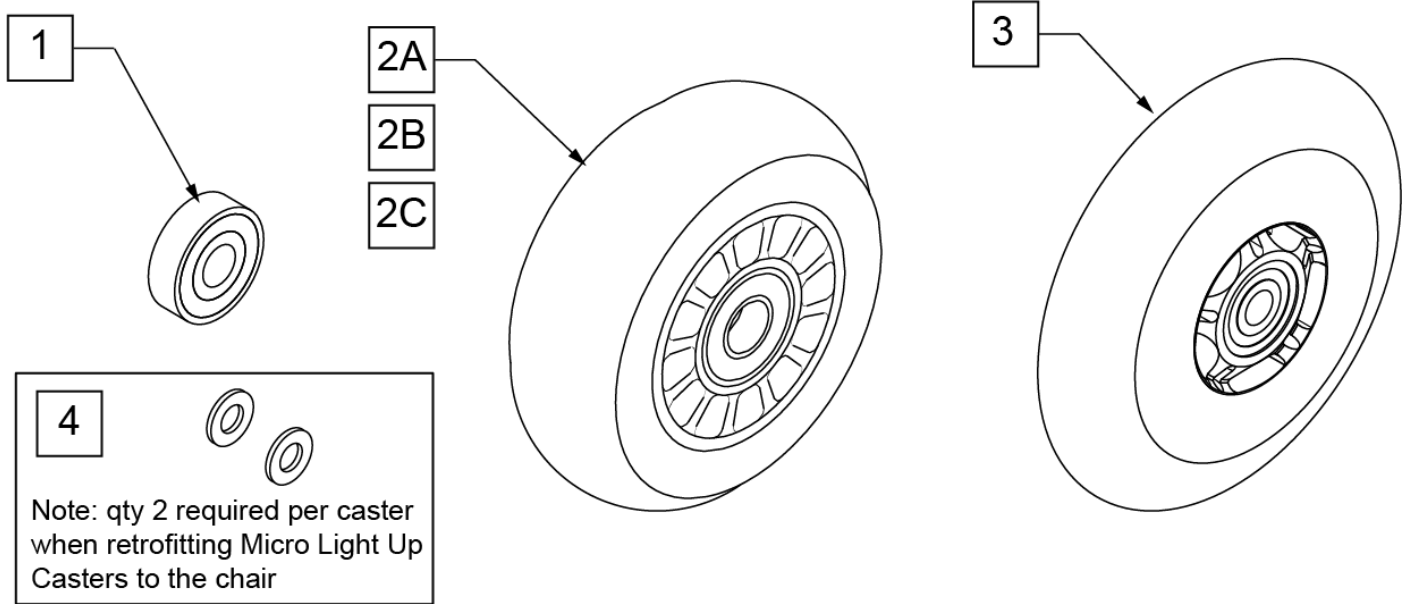
Wheel Type	Axle Type		Axle P/N	Spacer P/N
Mountain Wheels Spinergy Wheels Proton Wheels 5 Spoke Mag Wheels	Quick Release	1A 	109385 A=4 1/2"	N/A
Mountain Wheels	Quad Quick Release	1B 	920129 Includes Spacer A=4 1/4"	2  920117
Ultra Light Wheels (N/A with Quad Quick Release)	Quick Release	1C 	111843 A=4"	N/A
Lite Spoke	Quick Release	1D 	107268 A=4 1/4"	N/A

Quick Release Measuring Guide



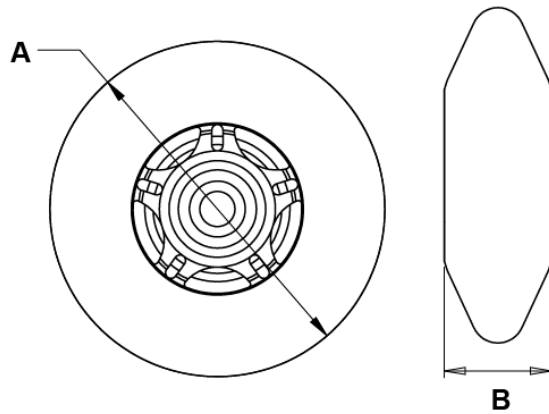
Pos.	Item Number	Description
1A	109385	QR AXLE/NUT LONG BG BTTN
1B	922170	QR AXLE W/ QUAD NUT PUSH BUTTON
1C	111843	QR AXLE EX SHORT BIG BTN
1D	107268	QR AXLE AND NUT SHORT BIG BTTN
2	920117	MAG SPACER 6S W/SET SCREW

Note: to ensure that the lights will function in the Micro Light Up Caster, qty 2 each of p/n 106947 will be required per caster when retrofitting Micro Light Up Casters to the chair.



CASTER MEASURING GUIDE

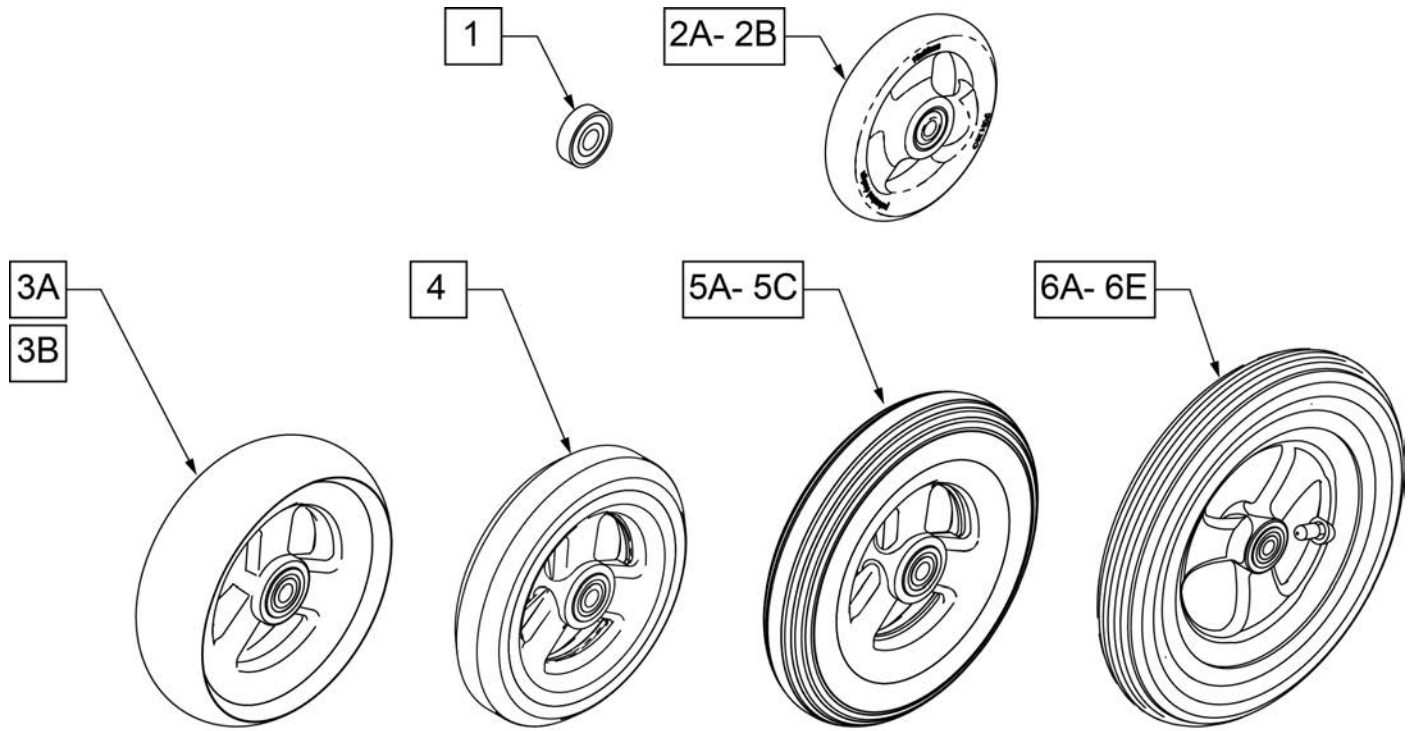
PART NUMBER	"A" TIRE DIAMETER	"B" HUB WIDTH
400108	4.0	1.0
400107	3.0	1.0
052129	4.7	1.0



Pos.	Item Number	Description	HPCP	Remarks
1	349502	7/8"x 5/16" BEARING		
2A	400108	4" MICRO CASTER LIGHTED	K0077	4" MICRO LIGHTED
2B	920025	3" MICRO CASTER W/ BEARING -PAIR	K0077	PAIR 3" MICRO
2C	400107	3" MICRO CASTER LIGHTED	K0077	3" MICRO LIGHTED
3	052129	5" MICRO CASTER LIGHTED	K0077	5" MICRO LIGHTED
4	106947	WASHER FLAT THIN AN 5/16 ROH		

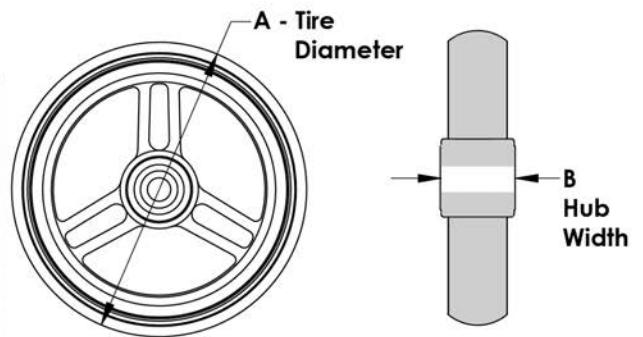
NOTE: 7" and 8" Casters are not available with Integral Bearing Forks.

Note: When 6" casters or larger casters are used, Anti Flutter Kit must be installed. See Standard Multi Position Fork page.

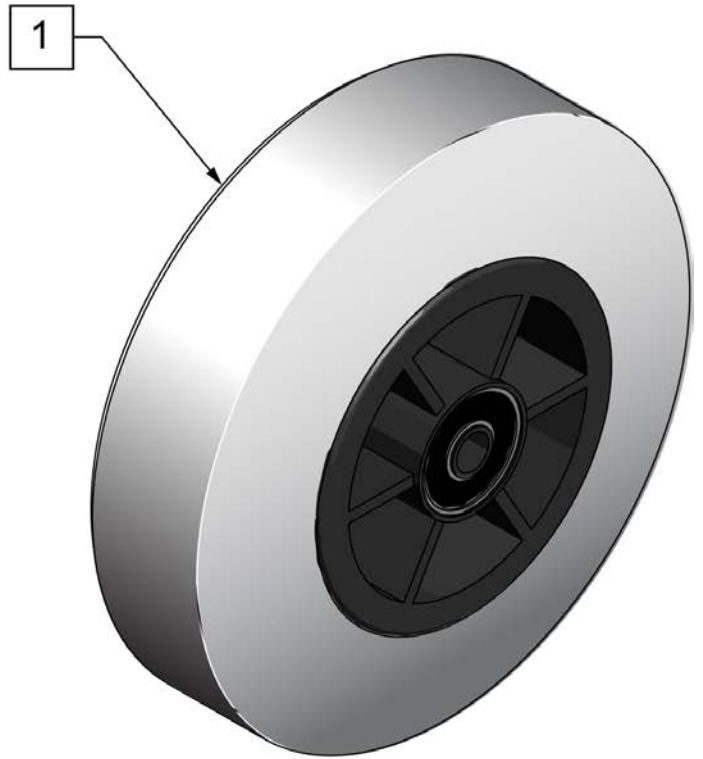
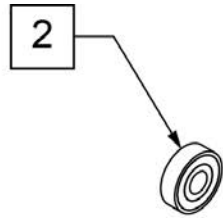


**CASTER
MEASURING GUIDE**

PART NUMBER	"A" TIRE DIAMETER	"B" HUB WIDTH	PART NUMBER	"A" TIRE DIAMETER	"B" HUB WIDTH
101957	4.3	1.0	101256	5.75	1.0
101098	4.0	1.0	101257	5.9	1.0
101259	4.9	1.0	400212	8.0	1.0
101255	5.7	1.0	400213	7.8	1.0
101254	4.9	1.0	400214	6.9	1.0
			400215	7.25	1.0

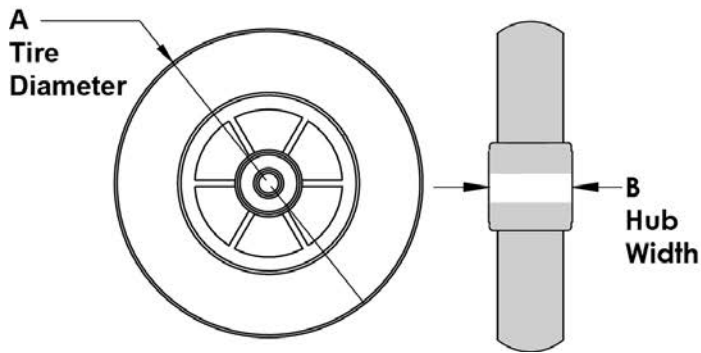


Pos.	Item Number	Description	Remarks
1	349502	7/8"x 5/16" BEARING	
2A	101957	4"X1-1/4 POLY 3 SPOKE CSTR	4" X 1.25 SEMI-PNEUMATIC
2B	101098	CASTER 4" PLASTIC/POLY W/BRG	4" LOW PROFILE POLY
3A	101259	5"X1-1/2" POLY 3 SPOKE CSTR	5" x 1.5" SEMI-PNEUMATIC
3B	101255	6"X1-1/2" POLY 3 SPOKE CSTR	6" x 1.5" SEMI-PNEUMATIC
4	101254	5" LOW POLY 3 SPOKE CASTER	5" LOW PROFILE POLY
5A	101256	6" SEMI PNEU 3 SPOKE CASTER	6" POLY
5B	101257	6" PNEUMATIC 3 SPOKE CASTER	6" PNEUMATIC
5C	383245	6" PNEUMATIC TIRE & TUBE	
6A	400212	CASTER 8" PNEU 3 SPK ASSM	8" PNEUMATIC
6B	400213	CASTER 8" POLY 3 SPK ASSM	8" POLY
6C	400214	CASTER 7" LOW POLY 3 SPK ASSM	7" x LOW PROFILE POLY
6D	383255	8" PNEUMATIC TIRE & TUBE	
6E	400215	CASTER 8" WIDE POLY 3 SPK ASSM	8" x 1.5" LOW POLY

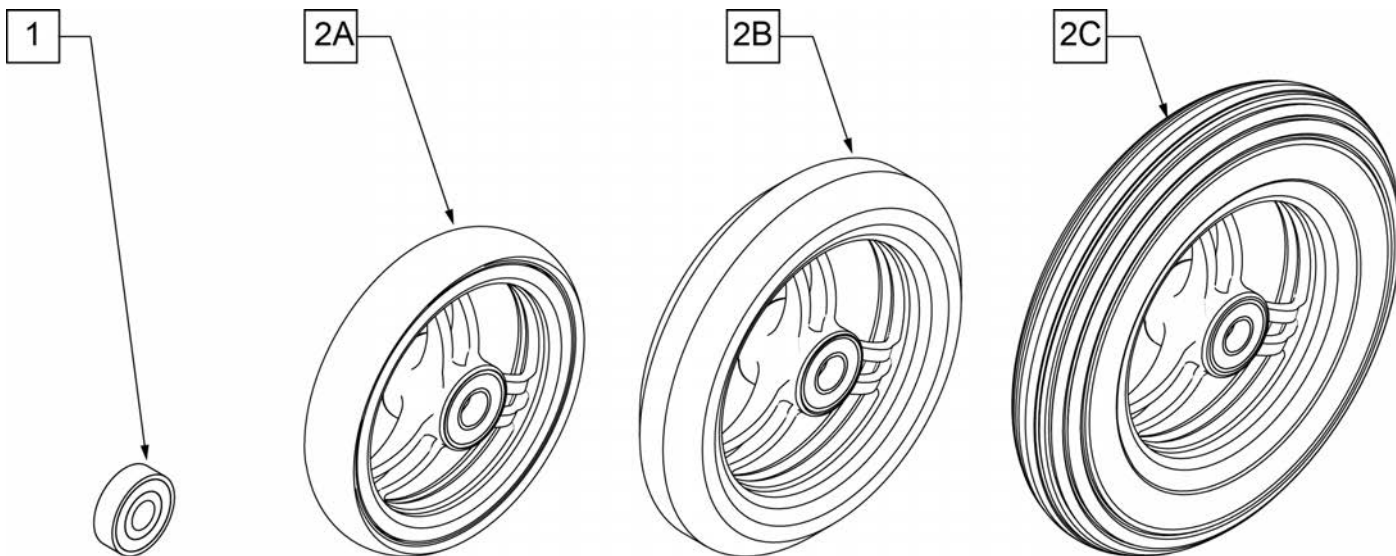


**CASTER
MEASURING GUIDE**

"A" TIRE DIAMETER	"B" HUB WIDTH
4.9"	1.5"

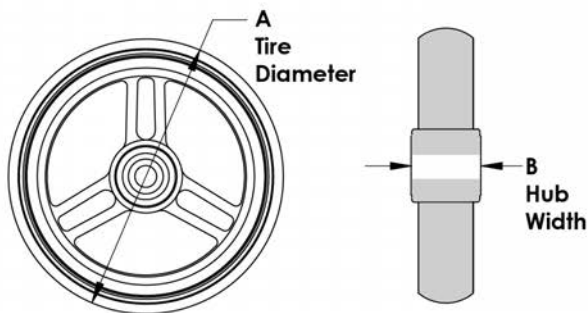


Pos.	Item Number	Description	HPCP	Remarks
1	400103	CASTER 5" SOFT ROLL W/BRNGS	K0077	5" SOFT ROLL SEMI PNEU (GREY)
2	349502	7/8"x 5/16" BEARING		



CASTER MEASURING GUIDE

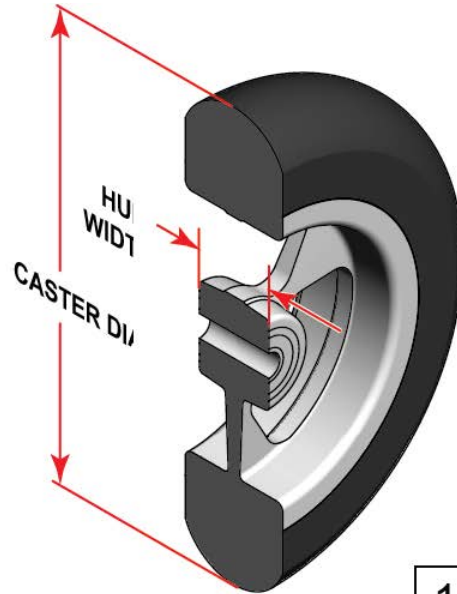
"A" TIRE DIAMETER	"B" HUB WIDTH
4"	1"
5"	1"
6"	1"



Pos.	Item Number	Description	HCPC	Remarks
1	349502	7/8"x 5/16" BEARING		
2A	101946-001	CASTR 4X1 ALUM/POLY W/BRG CLR	K0077	4" x 1" ALUMINUM POLY
2B	101946-002	CASTR 5X1 ALUM/POLY W/BRG CLR	K0077	5" x 1" ALUMINUM POLY
2C	101946-003	CASTR 6X1 ALUM/POLY W/BRG CLR	K0077	6" x 1" ALUMINUM POLY

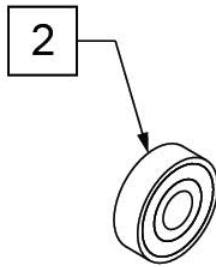


SIDE VIEW



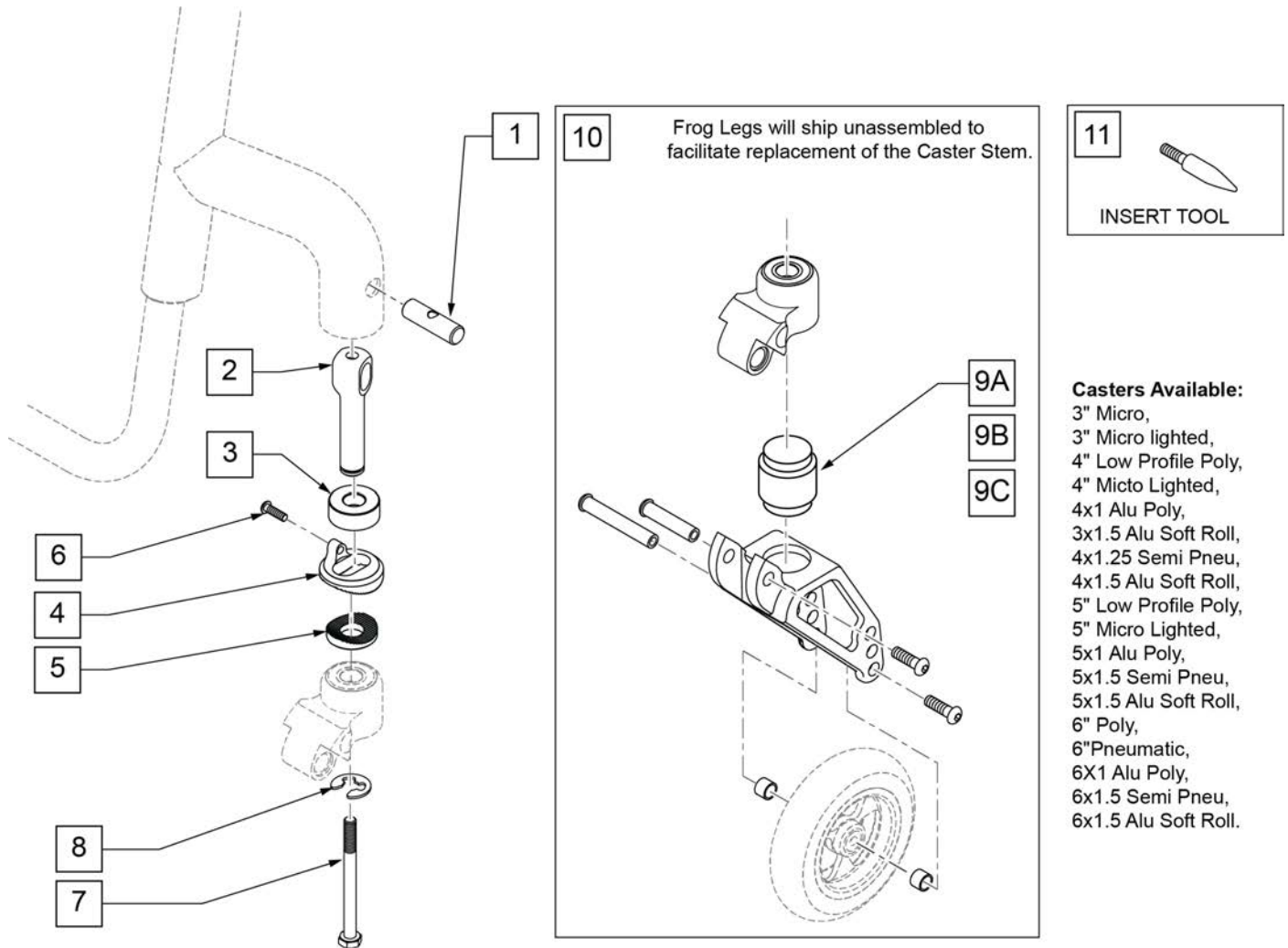
**CASTER
MEASURING GUIDE**

TIRE DIAMETER	HUB WIDTH
3	1
4 1/8	1
5	1
6	1



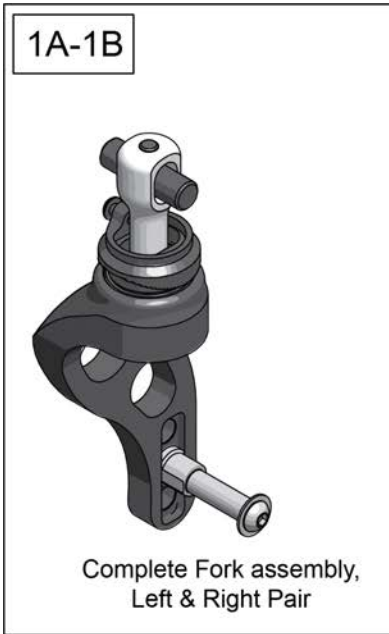
Pos.	Item Number	Description	HPCP	Remarks
1	251732	CASTR ASSM ULTRLT SFTRL 4X1.5"	K0077	4" x 1.5" Aluminum Soft Roll - Black Tire - Silver Hub
1	251733	CASTR ASSM ULTRLT SFTRL 5X1.5"	K0077	5" x 1.5" Aluminum Soft Roll - Black Tire - Silver Hub
1	251734	CASTR ASSM ULTRLT SFTRL 6X1.5"	K0077	6" x 1.5" Aluminum Soft Roll - Black Tire - Silver Hub
1		ANODIZED		
1	162609S	WHL CSTR 4" ULTRALT SFTRLL ANO	K0077	4" x 1.5" Aluminum Soft Roll - Black Tire - Anodized Hub
1	162611S	WHL CSTR 5" ULTRALT SFTRLL ANO	K0077	5" x 1.5" Aluminum Soft Roll - Black Tire - Anodized Hub
1	162613S	WHL CSTR 6" ULTRALT SFTRLL ANO	K0077	6" x 1.5" Aluminum Soft Roll - Black Tire - Anodized Hub
1		PAINTED		
1	162603S	WHL CSTR 4" ULTRALT SFTRLL PNT	K0077	4" x 1.5" Aluminum Soft Roll - Black Tire - Painted Hub
1	162605S	WHL CSTR 5" ULTRALT SFTRLL PNT	K0077	5" x 1.5" Aluminum Soft Roll - Black Tire - Painted Hub
1	162607S	WHL CSTR 6" ULTRALT SFTRLL PNT	K0077	6" x 1.5" Aluminum Soft Roll - Black Tire - Painted Hub
2	349502	7/8" X 5/16" BEARING		

Note: Item 11 is used to aid in aligning the upper and lower fork assembly during Frog Leg assembly and elastomer replacement. See instruction sheet for details.



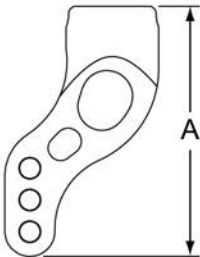
Pos.	Item Number	Description	Remarks
1	123396	PIVOT PIN, SOLID	See Fork Stem & Pin Kits for orderable parts
2A	123397	CASTER STEM, ADJ, HOLLOW	See Fork Stem & Pin Kits for orderable parts
2B	132935	CASTER STEM +.5, ADJ, HOLLOW	
3	483275	SPACER, CSTR, ANGLE ADJ .50	
4	110163	COMBI SPLINE UPPER	
5	502051	SPLINE CASTER ANG ADJ LWR	
6	102257	BHCS M4 X .7 X 8, FULL, NP	
7	230063	HHCS M6 X 1.0 X 70	See Fork Stem & Pin Kits for orderable parts
8	114479	E-STYLE BOWED CLIP	See Fork Stem & Pin Kits for orderable parts
9A	050156-001	ELASTOMER FROG LEGS SOFT	0 -100 Lbs
9B	050156-002	ELASTOMER FROG LEGS MEDIUM	101 -190 Lbs
9C	050156-003	ELASTOMER FROG LEGS FIRM	191 -265 Lbs
10	050155	FORK FROG LEGS INT BRNG	
11	116351	FROG LEG FORK ASSEMBLY TOOL	
9A,10	050225-001	FORK FROGLEGS INT BRNG SOFT	

Pos.	Item Number	Description	Remarks
9B,10	050225-002	FORK FROGLEGS INT BRNG MED	
9C,10	050225-003	FORK FROGLEGS INT BRNG FIRM	
1,2A-8,11	120025	FL CASTER STEM RPLC KIT	
1,2B-8,11	162615	FL CASTER STEM RPLC KIT +.5	plus 1/2 " spacer and stem
1,2A-8,9A,10	114437	FORK FROG SOFT Q7 ASSM	
1,2A-8,9B,10	114438	FORK FROG MED Q7 ASSM	
1,2A-8,9C,10	114439	FORK FROG FIRM Q7 ASSM	
1,2A,7,8	124999	FORK STEM & PIN KIT PAIR	Pair
1,2A,7,8	125045	FORK STEM & PIN KIT 1 SIDE	one side only
4-6	125046	FORK SPLINE ADJ KIT 1 SIDE	one side only
1,2B-8,9A,10	162616	FORK FROG SOFT ASSM +.5	
1,2B-8,9B,10	162617	FORK FROG MED ASSM +.5	
1,2B-8,9C,10	162618	FORK FROG FIRM ASSM +.5	
1,2B,3,7,8	162619	FORK STEM & PIN KIT PAIR +.5	
1,2B,3,7,8	162620	FORK STEM & PIN KIT 1 SIDE +.5	



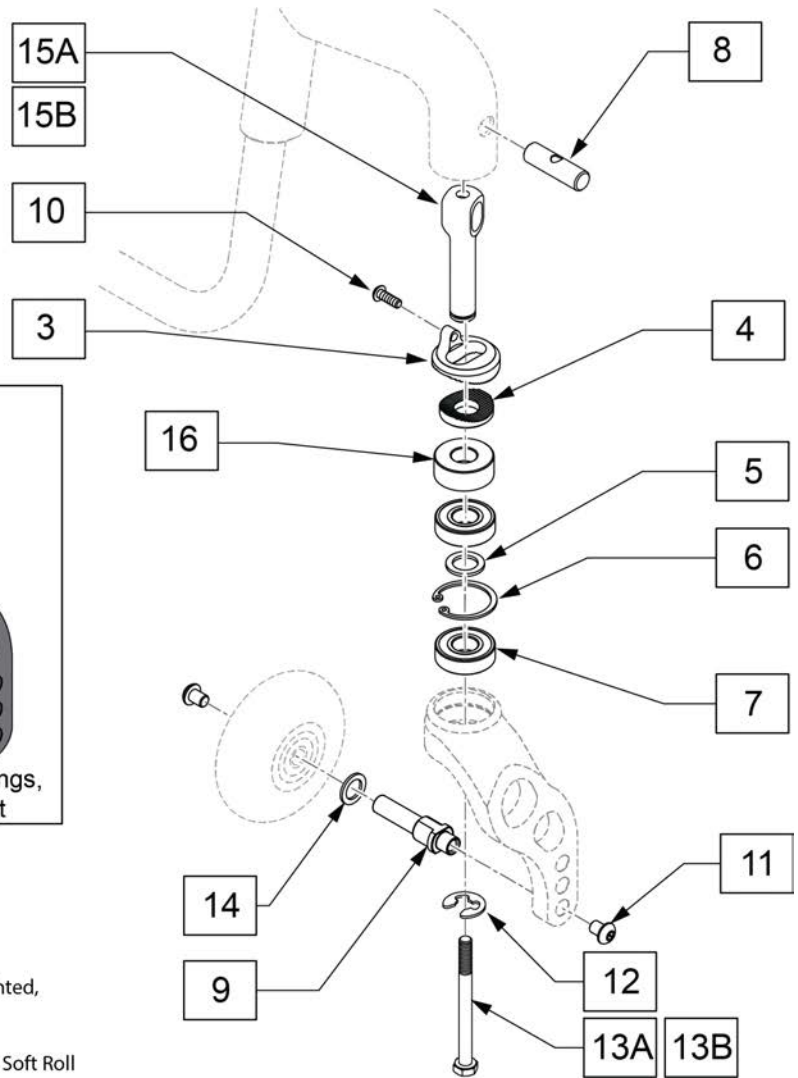
FORK MEASURING GUIDE

PART #	DISCRIPTION	"A"
112672	LOW, LH	4
112673	LOW, RH	4
112242	STD, LH	4 7/8
112243	STD, RH	4 7/8



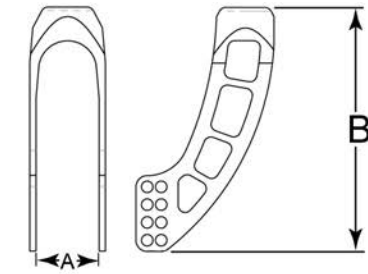
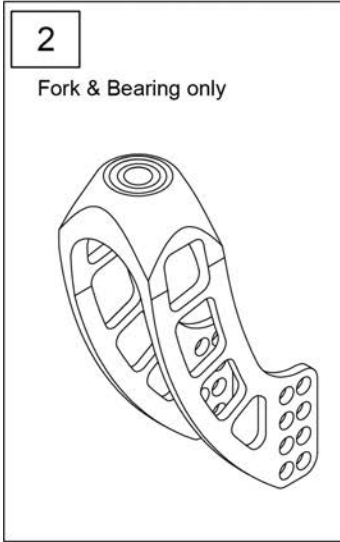
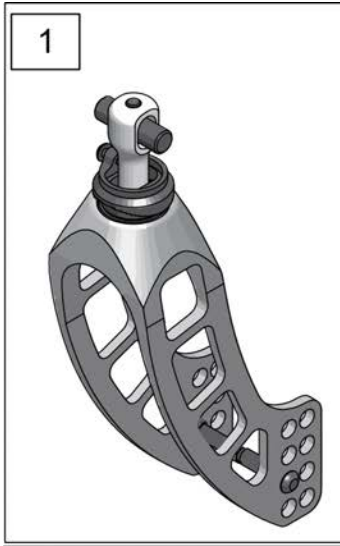
LOW Fits 3" Micro, 3" Micro lighted,
4" Low Profile Poly, 4" Micro Lighted,
4x1 Alu Poly, 3x1.5 Alu Soft Roll,
4x1.25 Semi Pnue, 4x1.5 Alu Soft Roll

STD Fits 5" Low Profile Poly, 5" Micro Lighted,
5x1 Alu Poly, 5x1.5 Semi Pnue,
5x1.5 Alu Soft Roll, 6" Poly, 6" Pnue,
6x1 Alu Poly, 6x1.5 Semi Pnue, 6x1.5 Alu Soft Roll



Pos.	Item Number	Description	Remarks
1A	162621	SINGLE SIDE FORK ASSM RH	Left, std stem, for +.5 order 162619 or 162520
1A	162622	SINGLE SIDE FORK ASSM LH	Right, std stem, for +.5 order 162619 or 162520
1B	114436	FORK SS STD Q7 L ASSM	Left, std stem, for +.5 order 162619 or 162520
1B	114435	FORK SS STD Q7 R ASSM	Right, std stem, for +.5 order 162619 or 162520
2A	112672	ASSM FORK LOW SNGL SD LH W/BRG	Black
2A	112673	ASSM FORK LOW SNGL SD RH W/BRG	Black
2B	112242	ASSM FORK STD SNGL SD LH W/BRG	Black
2B	112243	ASSM FORK STD SNGL SD RH W/BRG	Black
2C	117176S	FORK SNGL LOW CSTM ANO L	Choose custom anodized color
2C	117177S	FORK SNGL LOW CSTM ANO R	Choose custom anodized color
2D	117178S	FORK SNGL STD CSTM ANO L	Choose custom anodized color
2D	117179S	FORK SNGL STD CSTM ANO R	Choose custom anodized color
3,4,10	125046	FORK SPLINE ADJ KIT 1 SIDE	One side only
7	349104	BRNG 28mm OD 12mm ID 8mm THK	
16	483275	SPACER, CSTR, ANGLE ADJ .50	
5-7	159434	BEARING KIT MULTI POS FORK	same kit on Multi Position Fork page
8,12,13A,15A	125045	FORK STEM & PIN KIT 1 SIDE	One side only
8,12,13A,15A	124999	FORK STEM & PIN KIT PAIR	Pair
8,12,13B,15B	162619	FORK STEM & PIN KIT PAIR +.5	Pair

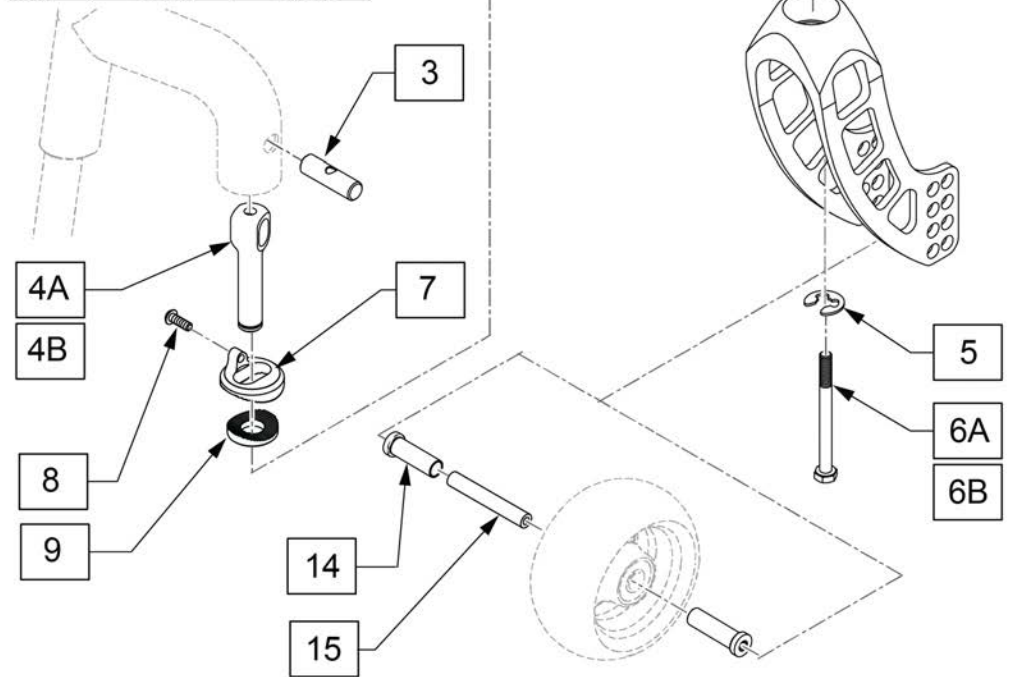
Pos.	Item Number	Description	Remarks
8,12,13B,15B	162620	FORK STEM & PIN KIT 1 SIDE +.5	One side only
14	106947	WASHER FLAT THIN AN 5/16 ROHS	Use w/ Micro Light Casters only



FORK MEASURING GUIDE

	Dim A	Dim B
mm	45mm	174mm
inch	1 3/4 in	6 7/8 in

AVAILABLE ON XENON SWING AWAY FRAME ONLY



Pos.	Item Number	Description	Remarks
1	162625	FORK 174MM STD ASSM	Complete assembly w/axles
1	162626	FORK 174MM +.5 ASSM	Complete assembly plus .5" w/axles
2	76707008-101	FORK ASSY 174mm BLACK	includes bearings
3,4A-6A	124999	FORK STEM & PIN KIT PAIR	Pair
3,4A-6A	125045	FORK STEM & PIN KIT 1 SIDE	one side only
8	102257	BHCS M4 X .7 X 8, FULL, NP	
7-9	125046	FORK SPLINE ADJ KIT 1 SIDE	one side only
10	349104	BRNG 28MM OD 12MM ID 8MM THK	
11	265162	WSHR FLT 18MM OD 12MM ID 1.5MM	
12	342093	RING SNAP INTERNAL 28MM	
10-12	159434	BEARING KIT MULTI POS FORK	Includes 2 bearings for one side only
13	483275	SPACER, CSTR, ANGLE ADJ .50	
3,4A-6A,13	162619	FORK STEM & PIN KIT PAIR +.5	Pair
3,4A-6A,13	162620	FORK STEM & PIN KIT 1 SIDE +.5	one side only

1C Low Narrow




Fits:
3" Micro, 3" Micro Lighted,
4" Low Profile Poly, 4" Micro Lighted,
4x1 Alu Poly

1A Standard Narrow




Fits:
5" Low Profile Poly,
5" Micro Lighted, 6" Pneu, 6" Poly

1D Low Wide

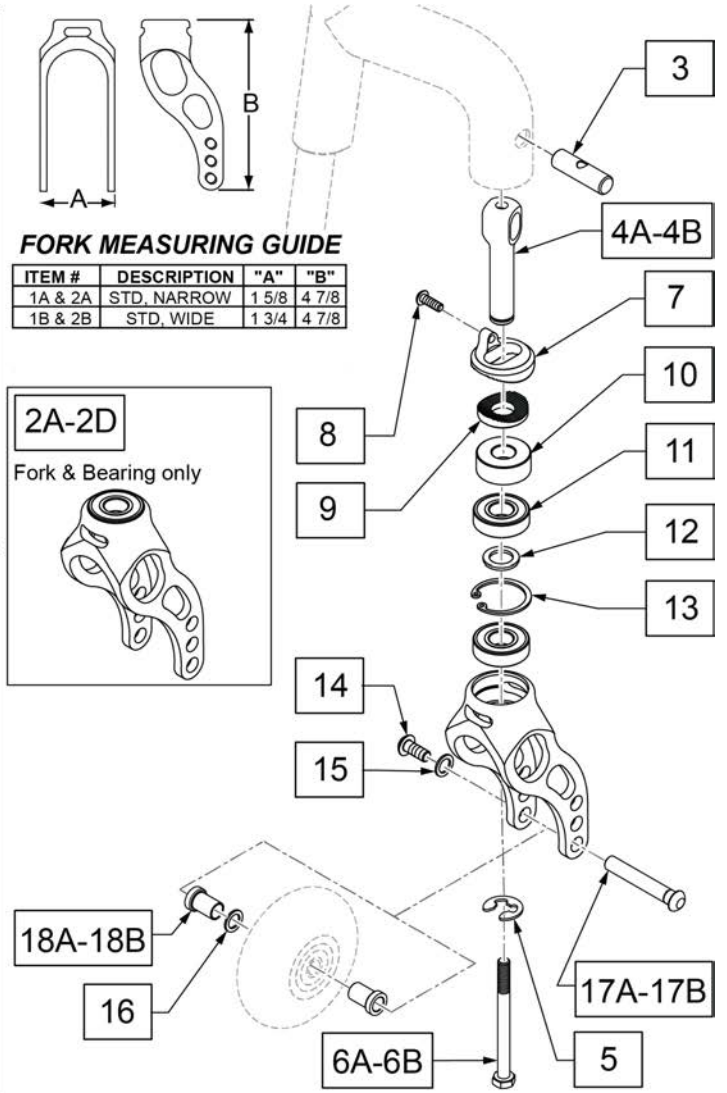


Fits:
4x1.25 Semi Pneu,
4x1.5 Alu Soft Roll

1B Standard Wide



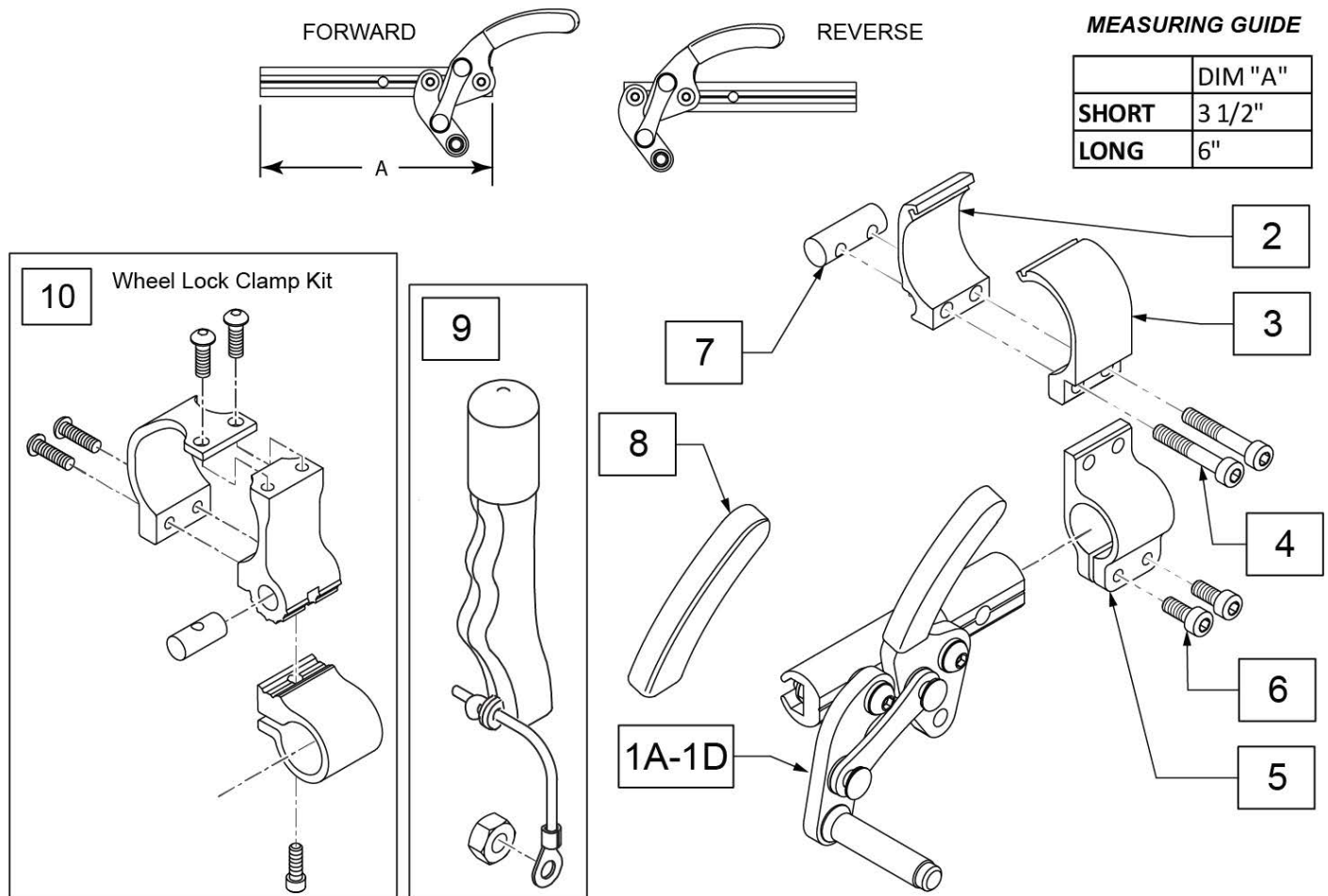
Fits:
5x1 Alu Poly, 5x1.5 Semi Pneu,
5" Soft Roll, 5x1.5 Alu Soft Roll,
6x1.5 Semi Pneu,
6x1.5 Alu Soft Roll



Pos.	Item Number	Description	Remarks
1A	114431	FORK STD NARROW Q7 ASSM	For 1 side, std stem, for +.5 order 162619 or 162520
1B	114432	FORK STD WIDE Q7 ASSM	For 1 side, std stem, for +.5 order 162619 or 162520
1C	114429	FORK LOW NARROW Q7 ASSM	For 1 side, std stem, for +.5 order 162619 or 162520
1D	114430	FORK LOW WIDE Q7 ASSM	For 1 side, std stem, for +.5 order 162619 or 162520
2A	112239	ASSM FORK STD NARROW INTG BRG	
2A	117174S	FORK STD NRW CSTM ANO W/BRG	Choose custom anodized color
2B	112240	ASSM FORK STD WIDE INTG BRG	
2B	117175S	FORK STD WD CSTM ANO W/BRG	Choose custom anodized color
2C	112238	ASSM FORK LOW NARROW INTG BRG	
2C	117172S	FORK LOW NRW CSTM ANO W/BRG	Choose custom anodized color
2D	112671	ASSM FORK LOW WIDE INTG BRG	
2D	117173S	FORK LOW WD CSTM ANO W/BRG	Choose custom anodized color
4A	123397	CASTER STEM, ADJ, HOLLOW	Std; used with No Spacer
4B	132935	CASTER STEM +.5, ADJ, HOLLOW	Used with 1/2 Spacer
6A	230063	HHCS M6 X 1.0 X 70	Std; used with No Spacer
6B	na	HHCS M6 X 1.0 X 80 SHLDR W PATCH	Order in kit; used with 1/2 Spacer
3,4A,5,6A	124999	FORK STEM & PIN KIT PAIR	Pair; Std, used with No Spacer
3,4A,5,6A	125045	FORK STEM & PIN KIT 1 SIDE	One side only; Std, used with No Spacer

Pos.	Item Number	Description	Remarks
3,4B,5,6B,10	162619	FORK STEM & PIN KIT PAIR +.5	Pair; used with 1/2 Spacer
3,4B,5,6B,10	162620	FORK STEM & PIN KIT 1 SIDE +.5	One side only; used with 1/2 Spacer
8	102257	BHCS M4 X .7 X 8, FULL, NP	
7-9	125046	FORK SPLINE ADJ KIT 1 SIDE	One side only
10	483275	SPACER, CSTR, ANGLE ADJ .50	
11-13	159434	BEARING KIT MULTI POS FORK	Includes 2 bearings for one side only
11	349104	BRNG 28MM OD 12MM ID 8MM THK	
12	265162	WSHR FLT 18MM OD 12MM ID 1.5MM	
13	342093	RING SNAP INTERNAL 28MM	
14	102259-001	BHCS M5 X 0.8 X 12 FULL, PL	
13-16,17A,18A	159435	AXLE SET MULTI POS FORK NARROW	Used w/ Narrow Forks Only
13-16,17B,18B	159436	AXLE SET MULTI POS FORK WIDE	Used w/ Wide Forks Only
15	107357	WASHER SPLIT LOCK M5	
16	106947	WASHER FLAT THIN AN 5/16 ROHS	Order when using Micro Light casters only
17A	112783	AXLE CASTER NARROW 1/4"	Used w/ Narrow Forks Only
17B	112782	AXLE CASTER WIDE 1/4"	Used w/ Wide Forks Only
18A	112781	SPACER, CASTER NAR, INTEGRAL	Used w/ Narrow Forks Only
18B	112780	SPACER, CASTER WIDE, INTEGRAL	Used w/ Wide Forks Only

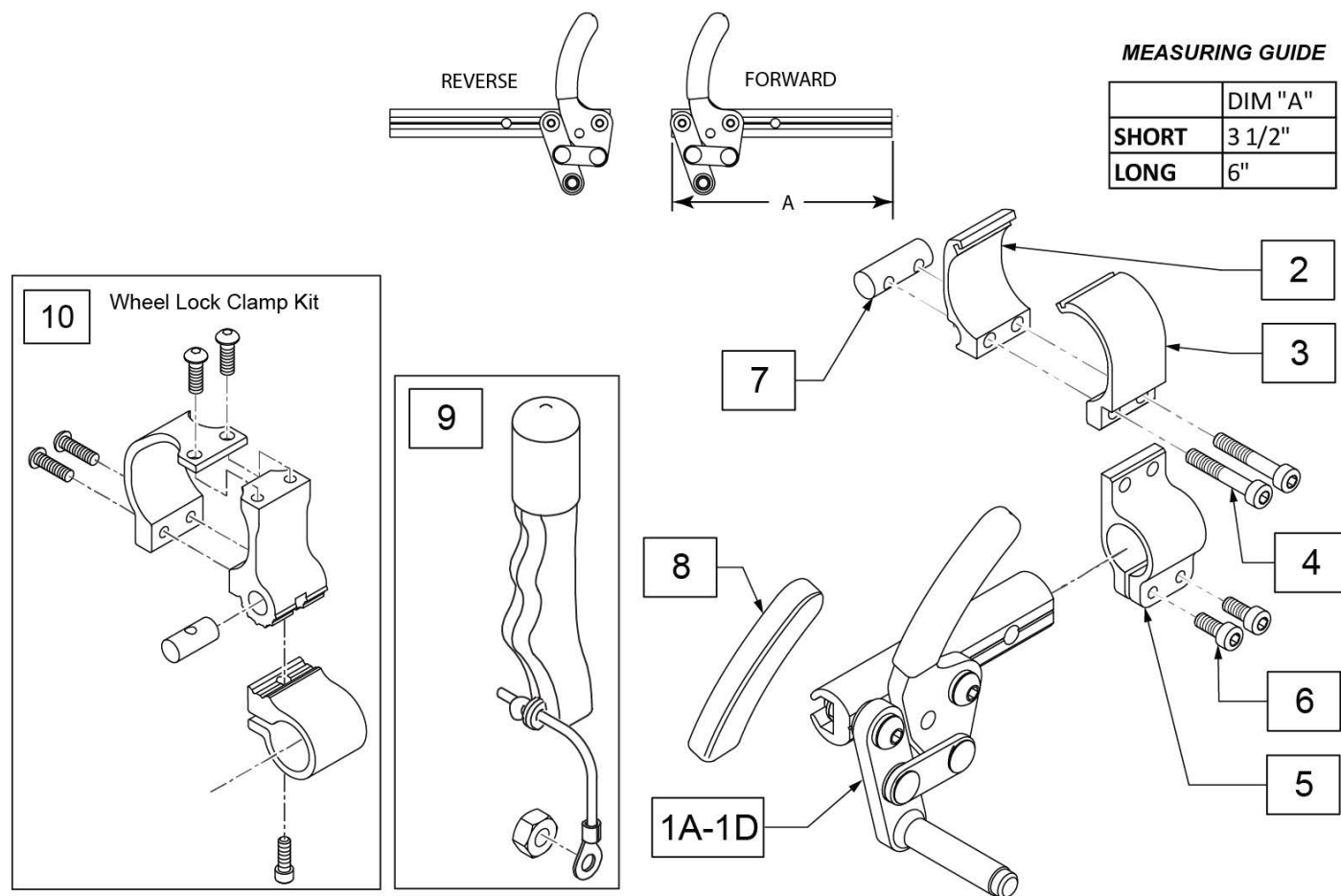
Note: Wheel Lock Clamp Kit (p/n 114441) is REQUIRED when 4° of Camber is used on Xenon 2.



Pos.	Item Number	Description	Remarks
1A	104227-001	WHEEL LOCK PULL R FWD SHT	Right-forward-short
1A	104227-002	WHEEL LOCK PULL L FWD SHT	Left-forward-short
1B	104227-003	WHEEL LOCK PULL R REV SHT	Right-reverse-short
1B	104227-004	WHEEL LOCK PULL L REV SHT	Left-reverse-short
1C	104227-005	WHEEL LOCK PULL R FWD LNG	Right-forward-long
1C	104227-006	WHEEL LOCK PULL L FWD LNG	Left-forward-long
1D	104227-007	WHEEL LOCK PULL R REV LNG	Right-reverse-long
1D	104227-008	WHEEL LOCK PULL L REV LNG	Left-reverse-long
8	104141	COVER CURVED WHEELLOCK VINYL	
9	161930	WHEEL LOCK EXT ASSY (PAIR) KIT	Pair
10	114441	WHEEL LOCK CLAMP KIT	REQUIRED when 4° of Camber is used on Xenon 2
2-7	76806005	FOOTREST CLAMP HEIGHT ADJ. CPL	
5-7	162470	COMPACT WHL LCK XE FASTENERS	
1A,2-7	162627	WL LOCK PULL XE R FWD SHT KIT	complete kit, Right-forward-short
1A,2-7	162628	WL LOCK PULL XE L FWD SHT KIT	complete kit, Left-forward-short
1B,2-7	162629	WL LOCK PULL XE R REV SHT KIT	complete kit, Right-reverse-short
1B,2-7	162630	WL LOCK PULL XE L REV SHT KIT	complete kit, Left-reverse-short
1C,2-7	162631	WL LOCK PULL XE R FWD LNG KIT	complete kit, Right-forward-long

Pos.	Item Number	Description	Remarks
1C,2-7	162632	WL LOCK PULL XE L FWD LNG KIT	complete kit, Left-forward-long
1D,2-7	162633	WL LOCK PULL XE R REV LNG KIT	complete kit, Right-reverse-long
1D,2-7	162457	WL LOCK PULL XE L REV LNG KIT	complete kit, Left-reverse-long

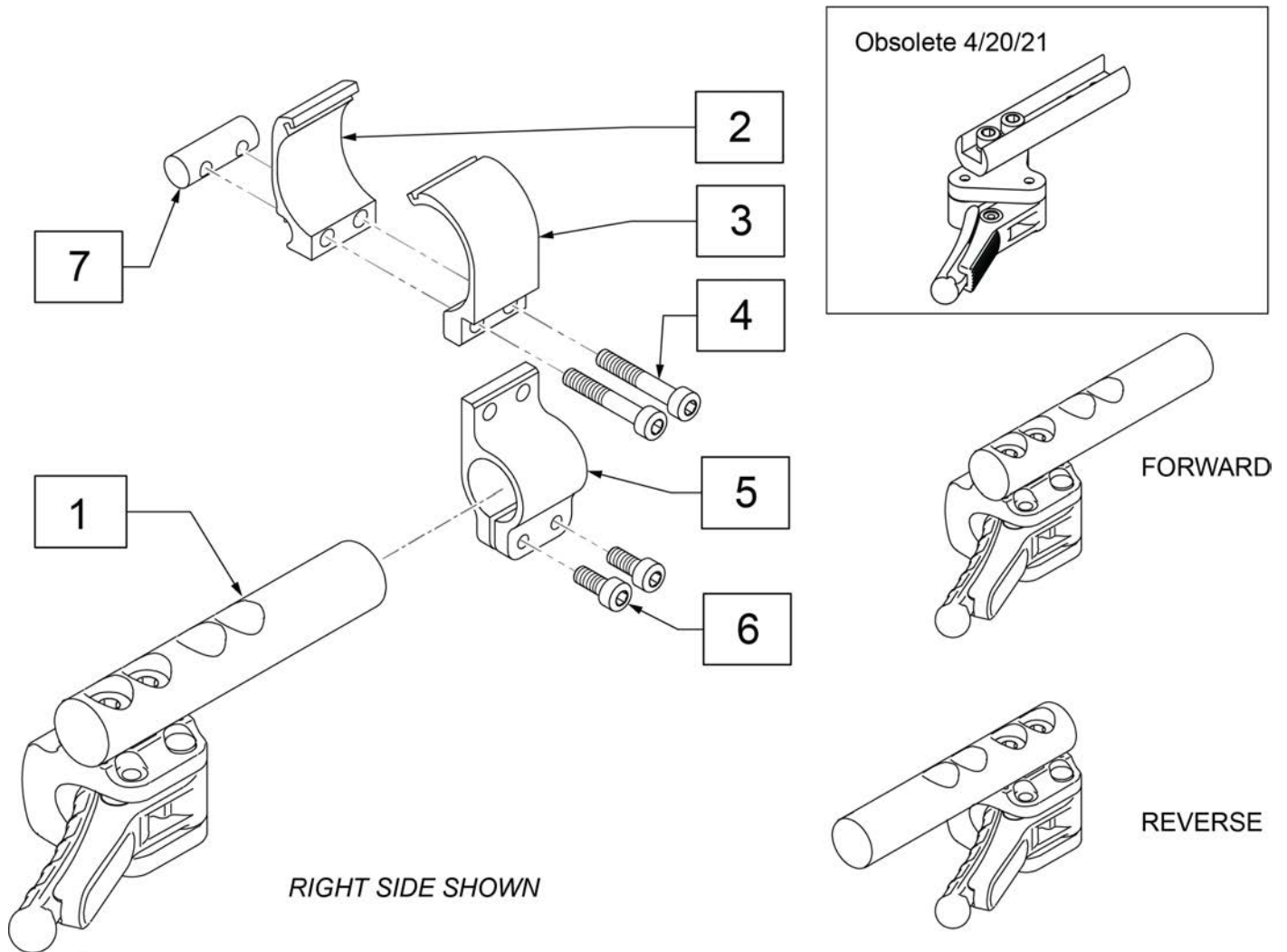
Note: Wheel Lock Clamp Kit (p/n 114441) is REQUIRED when 4° of Camber is used on Xenon 2.



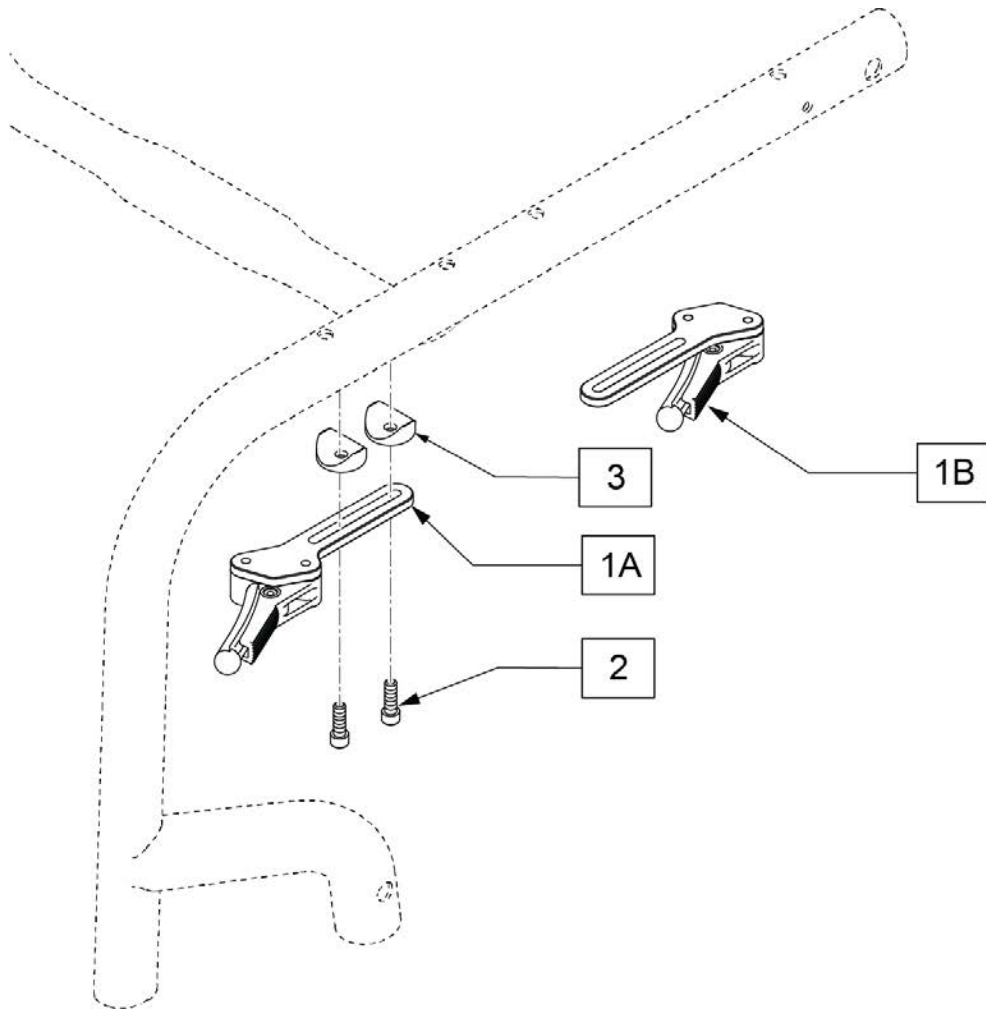
Pos.	Item Number	Description	Remarks
1A	104216-001	HIGH MOUNT PUSH, RH	Right-forward-short
1A	104216-002	HIGH MOUNT PUSH, LH	Left-forward-short
1B	104216-003	WHEEL LOCK PUSH R REV SHT	Right-reverse-short
1B	104216-004	WHEEL LOCK PUSH L REV SHT	Left-reverse-short
1C	104216-005	WHEEL LOCK PUSH R FWD LNG	Right-forward-long
1C	104216-006	WHEEL LOCK PUSH L FWD LNG	Left-forward-long
1D	104216-007	WHEEL LOCK PUSH R REV LNG	Right-reverse-long
1D	104216-008	WHEEL LOCK PUSH L REV LNG	Left-reverse-long
2-7	76806005	FOOTREST CLAMP HEIGHT ADJ. CPL	
8	104141	COVER CURVED WHEELLOCK VINYL	
9	161930	WHEEL LOCK EXT ASSY (PAIR) KIT	Pair
10	114441	WHEEL LOCK CLAMP KIT	REQUIRED when 4° of Camber is used on Xenon 2
1A,2-7	162458	WL LOCK PUSH XE R FWD SHT KIT	complete kit, Right-forward-short
1A,2-7	162459	WL LOCK PUSH XE L FWD SHT KIT	complete kit, Left-forward-short
1B,2-7	162460	WL LOCK PUSH XE R REV SHT KIT	complete kit, Right-reverse-short
1B,2-7	162461	WL LOCK PUSH XE L REV SHT KIT	complete kit, Left-reverse-short
1C,2-7	162462	WL LOCK PUSH XE R FWD LNG KIT	complete kit, Right-forward-long
1C,2-7	162463	WL LOCK PUSH XE L FWD LNG KIT	complete kit, Left-forward-long
1D,2-7	162464	WL LOCK PUSH XE R REV LNG KIT	complete kit, Right-reverse-long

Pos.	Item Number	Description	Remarks
1D,2-7	162465	WL LOCK PUSH XE L REV LNG KIT	complete kit, Left-reverse-long
5-7	162470	COMPACT WHL LCK XE FASTENERS	

Note: For all chairs shipped prior to 4/21/2021, both the left and right wheel locks and clamp kits are REQUIRED for installation.

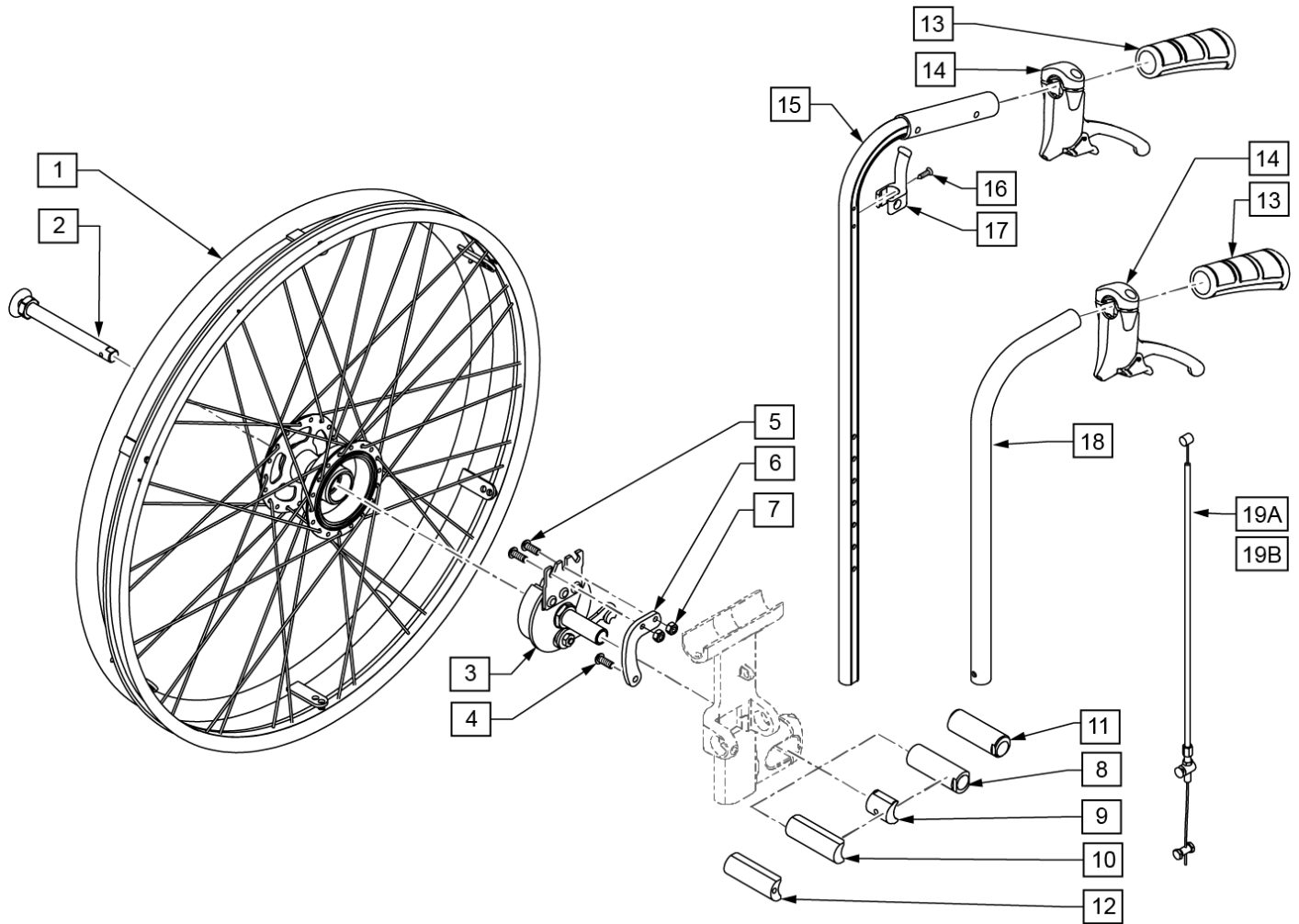


Pos.	Item Number	Description	Remarks
1	66006100-301	COMPACT BRAKE	Left side Forward Mounted
1	66006100-302	COMPACT BRAKE	Right side Forward Mounted
1	66006100-401	COMPACT BRAKE STD BACK LEFT	Reverse Mounted
1	66006100-402	COMPACT BRAKE STD BACK RIGHT	Reverse Mounted
2-7	76806005	FOOTREST CLAMP HEIGHT ADJ. CPL	
4,6,7	162470	COMPACT WHL LCK XE FASTENERS	



Pos.	Item Number	Description	Remarks
2	112341	SHCS, M5 X .8 X 16, FULL, PL	
3	614853009	DIRECT MOUNT WHEEL LOCK BUSHING	
1A,2	159479	CMPCT WHLLCK LW STD KIT LFT	Left
1A,2	159480	CMPCT WHLLCK LW STD KIT RT	Right
1B,2	159481	CMPCT WHLLCK LW FRT MT KIT LFT	Left
1B,2	159482	CMPCT WHLLCK LW FRT MT KIT RT	Right

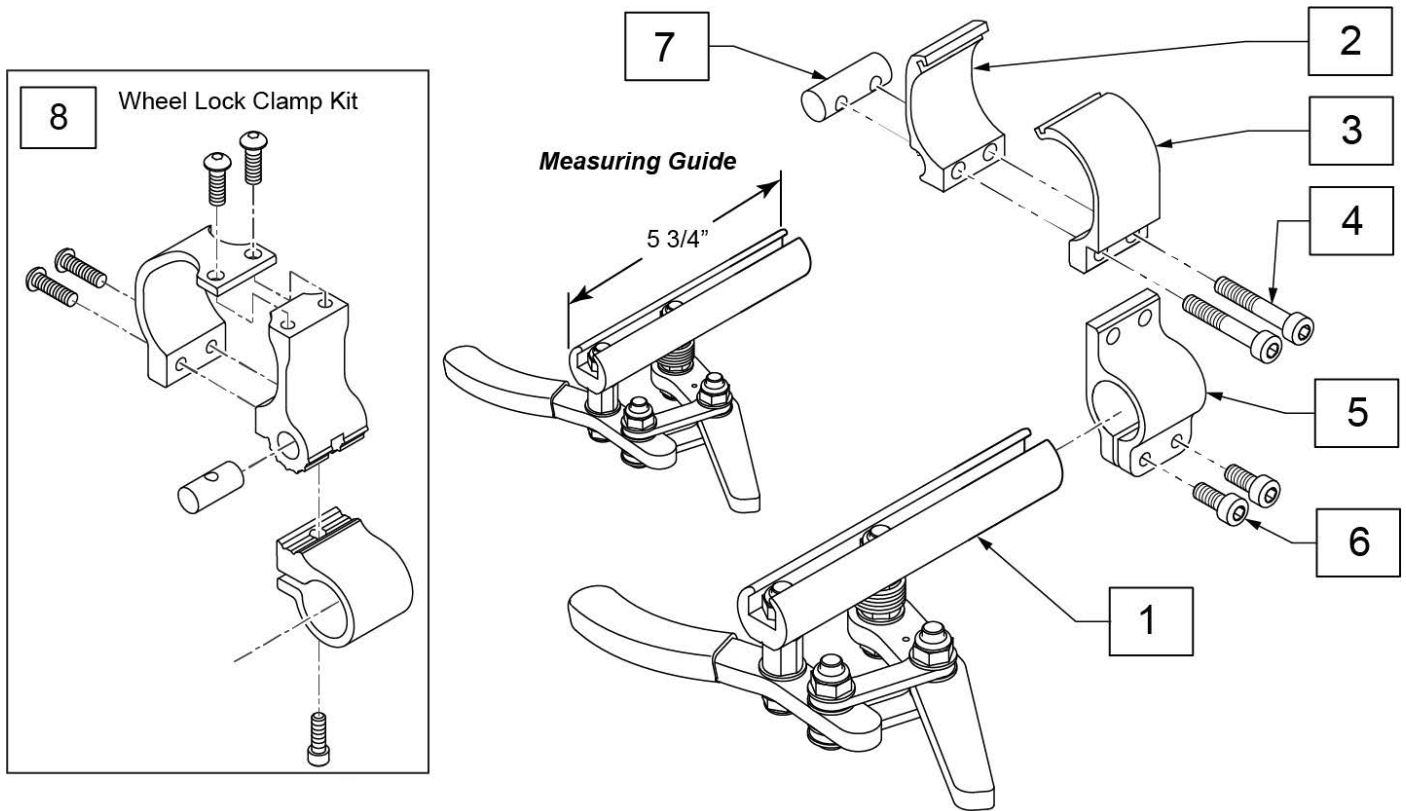
Note: Drum Brake not available with Half Fold Down Back.



Pos.	Item Number	Description	Remarks
1-3	000851414	REAR WHEEL W/ DRUM BRAKE RIGHT	right; no tire
1-3	000751414	REAR WHEEL W/ DRUM BRAKE LEFT	left; no tire
1	000851369	A-WHEEL -TRBR 24" GALV	
2	000220230	DESIGN-THRU AXLE DRUM BRAKE	
4-7,11,12	76806001-002	DRUM BRAKE ATTACH 4 CAMBER	Pair
4-8,10	76806004-001	DRUM BRAKE ATTACH 0 CAMBER	Pair
14	000228022	MAGURE BRAKE	
19A	000228007	PULL CABLE 750/600 INS COGALV	for Std PH w/ 45-47.5 Ht range
19B	000228032	PULL CABLE 750/600 INS COGALV	for Std PH w/ 30-45 Ht range
13-17,19B	76803101-001	PUSH HANDLE STD DRUM RH30-35	for Back Ht 30-35
13-17,19B	76803101-002	PUSH HANDLE STD DRUM RH35-40	for Back Ht 35-40
13-17,19B	76803101-003	PUSH HANDLE STD DRUM RH40-45	for Back Ht 40-45
13-17,19A	76803101-004	PUSH HANDLE STD DRUM RH45-47.5	for Back Ht 45-47.5
13,14,18,19A	76803102-001	PH HGHT ADJ DRUM RH30-35	for Back Ht 30-35
13,14,18,19A	76803102-002	PH HGHT ADJ DRUM RH37.5-47.5	Adj PH for Back Ht 40-47.5
1-13,17,19B	162471	RETRO FIT DRUM BRK STD 30-35	includes 0 deg & 4 deg axle sleeves
1-13,17,19B	162472	RETRO FIT DRUM BRK STD 35-40	includes 0 deg & 4 deg axle sleeves

Pos.	Item Number	Description	Remarks
1-13,17,19B	162473	RETRO FIT DRUM BRK STD 40-45	includes 0 deg & 4 deg axle sleeves
1-13,17,19A	162474	RETRO FIT DRUM BRK STD 45-47	includes 0 deg & 4 deg axle sleeves
1-13,14,18,19A	162475	RETRO FIT DRUM BRK ADJ 30-35	includes 0 deg & 4 deg axle sleeves
1-13,14,18,19A	162476	RETRO FIT DRUM BRK ADJ 40-47.5	includes 0 deg & 4 deg axle sleeves

Note: Wheel Lock Clamp Kit (p/n 114441) is REQUIRED when 4° of Camber is used on Xenon 2.



Pos.	Item Number	Description	Remarks
1	104726-001	ASSY WHL LOCK SCISSOR ERGO R	Right
1	104726-002	ASSY WHL LOCK SCISSOR ERGO L	Left
2-7	76806005	FOOTREST CLAMP HEIGHT ADJ. CPL	Universal
8	114441	WHEEL LOCK CLAMP KIT	REQUIRED when 4° of Camber is used on Xenon 2

Note: this wheel utilizes tab mount handrims - the handrim has a straight tab that mounts to the wheel through the rim.

Note: please see the Rear Wheel Finder for the complete Wheel Assembly with the Flex Rim.

Note: if changing the Rear Wheel Size on a chair with Anti-tips, new size Anti-tip Assemblies ARE REQUIRED to accommodate the new Rear Wheel Size.



Pos.	Item Number	Description	Remarks
1	109242	SPINERGY STD WHL 22" BLK SPK	22"(489mm)
1	762438	SPINERGY STD WHEEL 540 BLK SPK	24"(540mm)
1	762441	SPINERGY STD WHL 559 BLK SPK	25"(559mm)
1	762437	SPINERGY STD WHEEL 590 BLK SPK	26"(590mm)
1	762442	SPINERGY STD WHEEL 540 BLUE	24"(540mm)
1	762444	SPINERGY STD WHEEL 559 BLU	25"(559mm)
1	762446	SPINERGY STD WHEEL 590 BLUE	26"(590mm)
1	762443	SPINERGY STD WHEEL 540 RED	24"(540mm)
1	762445	SPINERGY STD WHEEL 559 RED	25"(559mm)
1	762447	SPINERGY STD WHEEL 590 RED	26"(590mm)
1	762456	SPINERGY STD WHEEL 540 WHT	24"(540mm)
1	762433	SPINERGY STD WHEEL 540 YELLOW	24"(540mm)
1	762462	SPINERGY STD WHL 559 YLW SPK	25"(559mm)
1	762431	SPINERGY STD WHEEL 590 YELLOW	26"(590mm)
2	349500	1 1/8 X 1/2 BEARING	

Note: this wheel utilizes tab mount handrims - the handrim has a straight tab that mounts to the wheel through the rim.

Note: please see the Rear Wheel Finder for the complete Wheel Assembly with the Flex Rim.

Note: if changing the Rear Wheel Size on a chair with Anti-tips, new size Anti-tip Assemblies ARE REQUIRED to accommodate the new Rear Wheel Size.



Pos.	Item Number	Description	Remarks
1	108858	SPINERGY LT EX WHL 22" BLK	22"(489mm); 12 Spoke
1	109215	SPINERGY LT EX WHL 22" BLU	22"(489mm); 12 Spoke
1	109216	SPINERGY LT EX WHL 22" RED	22"(489mm); 12 Spoke
1	109217	SPINERGY LT EX WHL 22" WHT	22"(489mm); 12 Spoke
1	109218	SPINERGY LT EX WHL 22" YLW	22"(489mm); 12 Spoke
1	101989-001	SPINERGY LT EX WHEEL 540 BLK	24"(540mm); 12 Spoke
1	101989-002	SPINERGY LT EX WHEEL 540 BLU	24"(540mm); 12 Spoke
1	101989-003	SPINERGY LT EX WHEEL 540 RED	24"(540mm); 12 Spoke
1	101989-005	SPINERGY LT EX WHEEL 540 WHT	24"(540mm); 12 Spoke
1	101989-004	SPINERGY LT EX WHEEL 540 YLW	24"(540mm); 12 Spoke
1	101991-001	SPINERGY LT EX WHEEL 559 BLK	25"(559mm); 12 Spoke
1	101991-002	SPINERGY LT EX WHEEL 559 BLU	25"(559mm); 12 Spoke
1	101991-003	SPINERGY LT EX WHEEL 559 RED	25"(559mm); 12 Spoke
1	101991-004	SPINERGY LT EX WHEEL 559 YLW	25"(559mm); 12 Spoke
1	101993-001	SPINERGY LT EX WHEEL 590 BLK	26"(590mm); 12 Spoke
1	101993-004	SPINERGY LT EX WHEEL 590 YLW	26"(590mm); 12 Spoke
2	349500	1 1/8 X 1/2 BEARING	

Note: this wheel utilizes tab mount handrims - the handrim has a straight tab that mounts to the wheel through the rim.

Note: please see the Rear Wheel Finder for the complete Wheel Assembly with the Flex Rim.

Note: if changing the Rear Wheel Size on a chair with Anti-tips, new size Anti-tip Assemblies ARE REQUIRED to accommodate the new Rear Wheel Size.

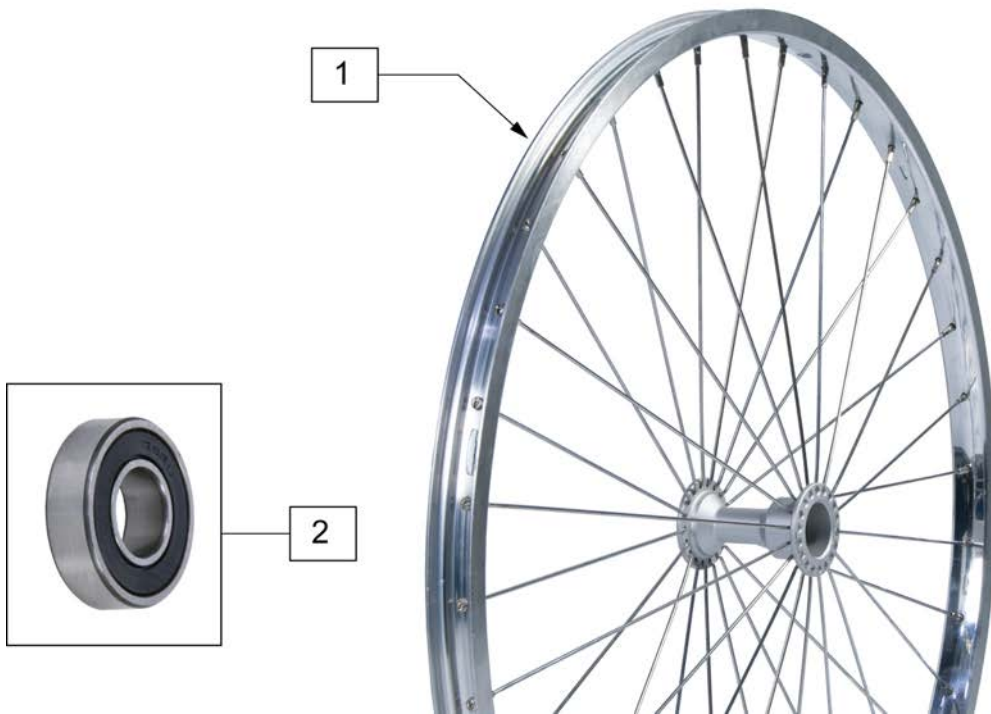


Pos.	Item Number	Description	Remarks
1	101988-001	SPINRGY SPT LT EX WHL 540 BLK	24"(540mm), 18 spoke
1	101988-002	SPINRGY SPT LT EX WHL 540 BLU	24"(540mm), 18 spoke
1	101988-003	SPINRGY SPT LT EX WHL 540 RED	24"(540mm), 18 spoke
1	101988-004	SPINRGY SPT LT EX WHL 540 YLW	24"(540mm), 18 spoke
1	101988-005	SPINRGY SPT LT EX WHL 540 WHT	24"(540mm), 18 spoke
1	101990-001	SPINRGY SPT LT EX WHL 559 BLK	25"(559mm), 18 spoke
1	101990-002	SPINRGY SPT LT EX WHL 559 BLU	25"(559mm), 18 spoke
1	101990-003	SPINRGY SPT LT EX WHL 559 RED	25"(559mm), 18 spoke
1	101990-004	SPINRGY SPT LT EX WHL 559 YLW	25"(559mm), 18 spoke
1	101990-005	SPINRGY SPT LT EX WHL 559 WHT	25"(559mm), 18 spoke
1	101992-001	SPINRGY SPT LT EX WHL 590 BLK	26"(590mm), 18 spoke
1	101992-002	SPINRGY SPT LT EX WHL 590 BLU	26"(590mm), 18 spoke
1	101992-003	SPINRGY SPT LT EX WHL 590 RED	26"(590mm), 18 spoke
1	101992-004	SPINRGY SPT LT EX WHL 590 YLW	26"(590mm), 18 spoke
1	101992-005	SPINRGY SPT LT EX WHL 590 WHT	26"(590mm), 18 spoke
2	349500	1 1/8 X 1/2 BEARING	

Note: this wheel utilizes Tab Mount Handrims - the handrim has a straight tab that mounts to the wheel through the rim.

Note: if changing the Rear Wheel Size on a chair with Anti-tips, new size Anti-tip Assemblies ARE REQUIRED to accommodate the new Rear Wheel Size.

Note: if retrofitting Natural Fit Handrims to a Mountain wheel assembly, the complete wheel assemblies will be required; see Rear Wheel Finder.



Pos.	Item Number	Description	Remarks
1	401075	24 RIM ASSM X 1.5 SUN PSH BTTN	22" (507mm); 4 Tabs; overall whl size w/tire = to 24"(540mm)
1	401076	24" HT RIM ASSM SUN PUSH BTTN	25" (559mm); 6 Tabs; overall whl size w/tire = to 26"(590mm)
1	108304	6 TAB RIM ASSM 24IN X 1.5	22" (507mm); use w/ Natural Fit HR's; overall whl size w/tire = to 24"(540mm)
2	349500	1 1/8 X 1/2 BEARING	

Note: this Wheel utilizes Tab Mount Handrims (6 Tab).

Note: weight capacity is 220 lbs.

Note: if changing the Rear Wheel Size on a chair with Anti-tips, new size Anti-tip Assemblies ARE REQUIRED to accommodate the new Rear Wheel Size.



Pos.	Item Number	Description
1A	066511-003	PROTON WHEEL 24 X 1
1B	066511-004	PROTON WHEEL 25 X 1

Note: this wheel utilizes Tab Mount Handrims - the handrim has a straight tab that mounts to the wheel through the rim.

Note: 24 spoke count on all Ultra Light Spoke Wheels; spokes will be silver.

Note: if changing the Rear Wheel Size on a chair with Anti-tips, new size Anti-tip Assemblies ARE REQUIRED to accommodate the new Rear Wheel Size.



Pos.	Item Number	Description	Remarks
1	100798-001	WHL RIM 22" MBL ULTRALITE	22"(489mm)
1	100798-002	WHL RIM 24" MBL ULTRALITE	24"(540mm)
1	100798-003	WHL RIM 26" MBL ULTRALITE	26"(590mm)
2	349500	1 1/8 X 1/2 BEARING	

Note: Wheels do not include rim strips, see "RIM STRIP" page to order correct rim strip.

Note: this wheel utilizes Tab Mount Handrims - the handrim has a straight tab that mounts to the wheel through the rim.

Note: 20" wheels have 18 spokes per wheel; 22", 24" & 25" wheels have 24 spokes per wheel; spokes are black.

Note: if changing the Rear Wheel Size on a chair with Anti-tips, new size Anti-tip Assemblies ARE REQUIRED to accommodate the new Rear Wheel Size.



Pos.	Item Number	Description	Remarks
1A	112857	ULTRA LIGHTWEIGHT WHEEL 20"	20"
1B	112858	ULTRA LIGHT WHEEL 22"	22"(501mm)
1C	112859	ULTRA LIGHTWEIGHT WHEEL 24"	24"(540mm)
1D	112860	ULTRA LIGHTWEIGHT WHEEL 25"	25"(559mm)
2	349500	1 1/8 X 1/2 BEARING	
3A	118105	ULTRA LT 20IN SPOKE RPLMNT KIT	Kit contains 12 spokes
3B	118106	ULTRA LT 22IN SPOKE RPLMNT KIT	Kit contains 12 spokes
3C	118107	ULTRA LT 24IN SPOKE RPLMNT KIT	Kit contains 12 spokes
3D	118108	ULTRA LT 25IN SPOKE RPLMNT KIT	Kit contains 12 spokes

1



Note: tire should be mounted with logo to outside of wheel due to tread pattern

Pos.	Item Number	Description
1	245846	Downtown tire 24" 2grip

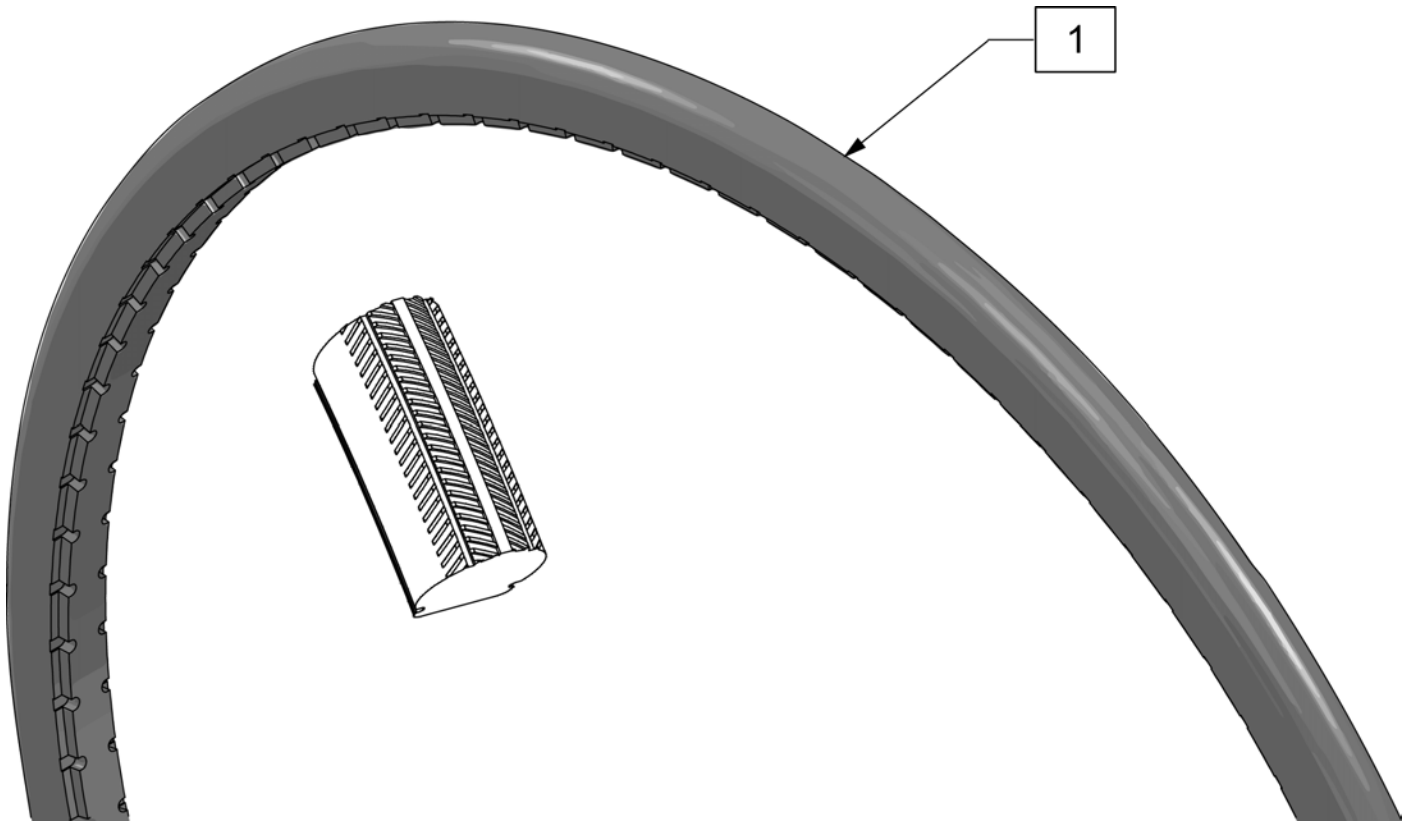


Pos.	Item Number	Description	Remarks
1	385237	16" X 1.75" PNEU TIRE	
1	385250	20" PNEUMATIC TIRE	
1	385275	22" PNEUMATIC TIRE	22" x 1 3/8 (501mm)
1	385300	24" PNEUMATIC TIRE	24" x 1 3/8 (540mm)
1	385325	26" PNEUMATIC TIRE	26" x 1 3/8 (590mm)
1	384614	24" x 2.125 PNEUMATIC TIRE	24"x2 1/8 (540mm) used w/ M6



Pos.	Item Number	Description	Remarks
1	386232	20" POLY TIRE STD	20"
1	386242	22" POLY TIRE STD	22" (501mm)
1	386252	24" POLY TIRE STD	24" (540mm)

Note: Shox Tire do not fit Topolino Wheels due to width.



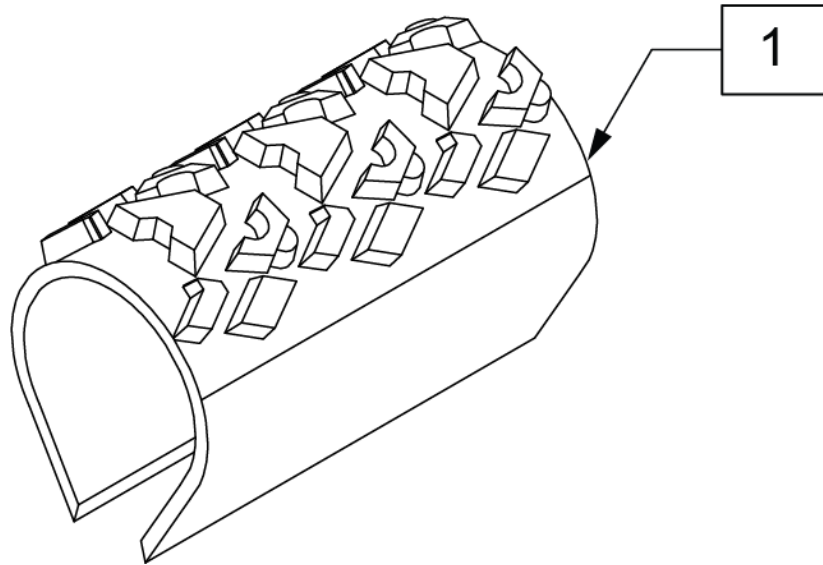
Pos.	Item Number	Description	Remarks
1	129924	TIRE SHOX CEW20"	20"(457mm) Black
1	129925	TIRE SHOX CEW22"	22"(501mm) Black
1	129926	TIRE SHOX CEW24"	24"(540mm) Black
1	129927	TIRE SHOX CEW25"	25"(559mm) Black



Pos.	Item Number	Description
1	129903	22X1 HI PRESSURE CLINCHER BLK
1	129904	24X1 HI PRESSURE CLINCHER BLK
1	129905	26X1 HI PRESSURE CLINCHER BLK



Pos.	Item Number	Description	Remarks
1	102066-004	TIRE SCHWALBE MP 489 BLK	22" (489mm)
1	102066-001	TIRE SCHWBL MPE 540 BLK	24" (540mm)
1	102066-002	TIRE SCHWBL MPE 559 BLK	25" (559mm)
1	102066-003	TIRE SCHWBL MPE 590 BLK	26" (590mm)



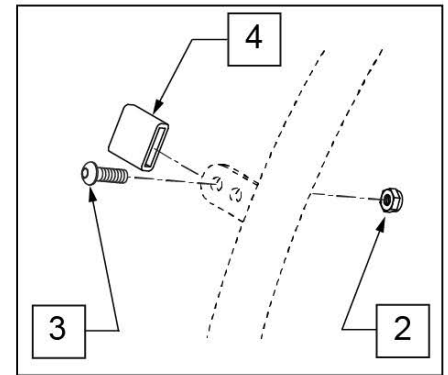
Pos.	Item Number	Description	Remarks
1	385354	24" X 1-3/8" KNOBBIE TIRE	24"(540mm)



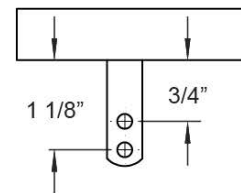
Pos.	Item Number	Description	Remarks
1	384604	TIRE CS 24 X 2.1 SMOKER 507MM	22"(501mm)
1	384606	TIRE CS 26 X 2.1 SMOKER 559MM	25"(559mm)



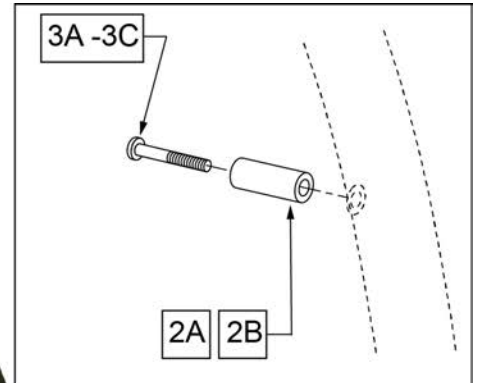
Pos.	Item Number	Description	Remarks
1	113247	TIRE SCHWALBE ONE 24 IN	24"(540mm)
1	113248	TIRE SCHWALBE ONE 25 IN	25"(559mm)



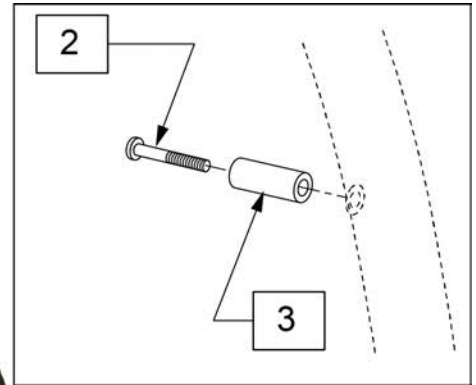
MEASURING GUIDE



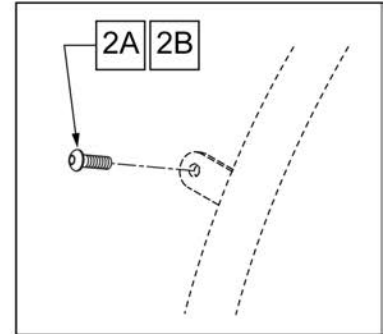
Pos.	Item Number	Description	Remarks
>>>>>	>>>>>>>>>>	CROSS SPOKE & SPOKE	>>>>>
1 -4	425095	HANDRIM 18" 4T W/HDWR ANO	18" SPOKE
1	529529	QP 24" HR .065 (6) TAB ANO	24" (540) CROSS SPOKE -SHORT & REG TAB
1 -4	425030	24" HR 6T BB/HTBB W/HDWR	25" (590) CROSS SPOKE
>>>>>	>>>>>>>>>>	CROSS SPOKE QP (QUICKIE PERFORMANCE)	>>>>>
1 -4	425050	26" HR 6T BB/TN W/HDWR	26" (590) CROSS SPOKE TENNIS & BBALL
1 -4	425045	24" HR SHT(6T)ANO W/X/S HDWR	25" (590) CROSS SPOKE TENNIS & BBALL-SHORT TAB
1 -4	425048	26" HR (6T)ANO W/X/S HDWR	26" (700) CROSS SPOKE TENNIS & BBALL -REG TAB
1 -4	425055	26" HR SHT(6T)ANO W/X/S HDWR	26" (700) CROSS SPOKE TENNIS & BBALL-SHORT TAB
1 -4	426015	QP 24" HR .049 W/HDWR SMT	24" (540) TENNIS
1 -4	425030	24" HR 6T BB/HTBB W/HDWR	25" (559) TENNIS & BASKETBALL
1 -4	426050	QP 26" HR .065 W/HDWR (6T)	26" (700) TENNIS & BASKETBALL
1 -4	425050	26" HR 6T BB/TN W/HDWR	26" (590) TENNIS & BASKETBALL
>>>>>	>>>>>>>>>>	SPINERGY & PROTON	>>>>>
1	529529	QP 24" HR .065 (6) TAB ANO	24" (540) SPINERGY
1 -4	425038	QP 24" HR .049 W/HDWR (6T)	25" (559) SPINERGY
1 -4	425050	26" HR 6T BB/TN W/HDWR	26" (590) SPINERGY
>>>>>	>>>>>>>>>>	MOUNTAIN	>>>>>
1 -4	425020	22" HR 4T W/HDWR	24" (540) MOUNTAIN
1 -4	425030	24" HR 6T BB/HTBB W/HDWR	26" (590) MOUNTAIN
2-4	159515	AA TAB MOUNT HANDRIM HARDWARE	SET OF 6



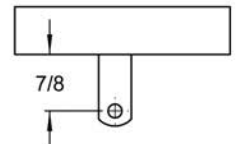
Pos.	Item Number	Description	Remarks
>>>>>	>>>>>>>>>	LITE SPOKE	>>>>>
1,2A,3A	159508	20IN LT SPK AA HNDRIM W/HDWR	20" LITE SPOKE
1,2A,3A	159509	22IN LT SPK AA HNDRIM W/HDWR	22" (501) LITE SPOKE
1,2A,3A	159510	24IN LT SPK AA HNDRIM W/HDWR	24" (540) LITE SPOKE
1,2A,3A	159511	25IN LT SPK AA HNDRIM W/HDWR	25" (559) LITE SPOKE
1,2A,3A	159512	26IN LT SPK AA HNDRIM W/HDWR	26" (590) LITE SPOKE
2A,3A	159513	LT SPK AL AN HNDRIM HDWR	LITE SPOKE, SET OF 6
>>>>>	>>>>>>>>>	SPOKE	>>>>>
1,2B,3B	425931	20" HR 6SMT W/HDWR	20" SPOKE
1,2B,3B	425941	22" HR 6SMT W/HDWR	22" (501) SPOKE
1,2B,3B	426000	24" HR 6SMT W/ HDWR	24" (540) SPOKE
2B,3B	159514	SPK AL AN HNDRIM HDWR	SPOKE, SET OF 6
>>>>>	>>>>>>>>>	MAG	>>>>>
1,3C	425934	20" HR 6SMT 6MAG W/HDWR	20" MAG
1,3C	425951	22" HR 6SMT 6MAG W/HDWR	22" (501) MAG
1,3C	426009	24" HR 6SMT 6MAG W/HDWR	24" (540) MAG
3C	281175	10-32 X 2 1/8 PAN PHIL SS	MAG
>>>>>	>>>>>>>>>	M6 SPOKE	>>>>>
1,2B,3B	425941	22" HR 6SMT W/HDWR	24" (540) SPOKE



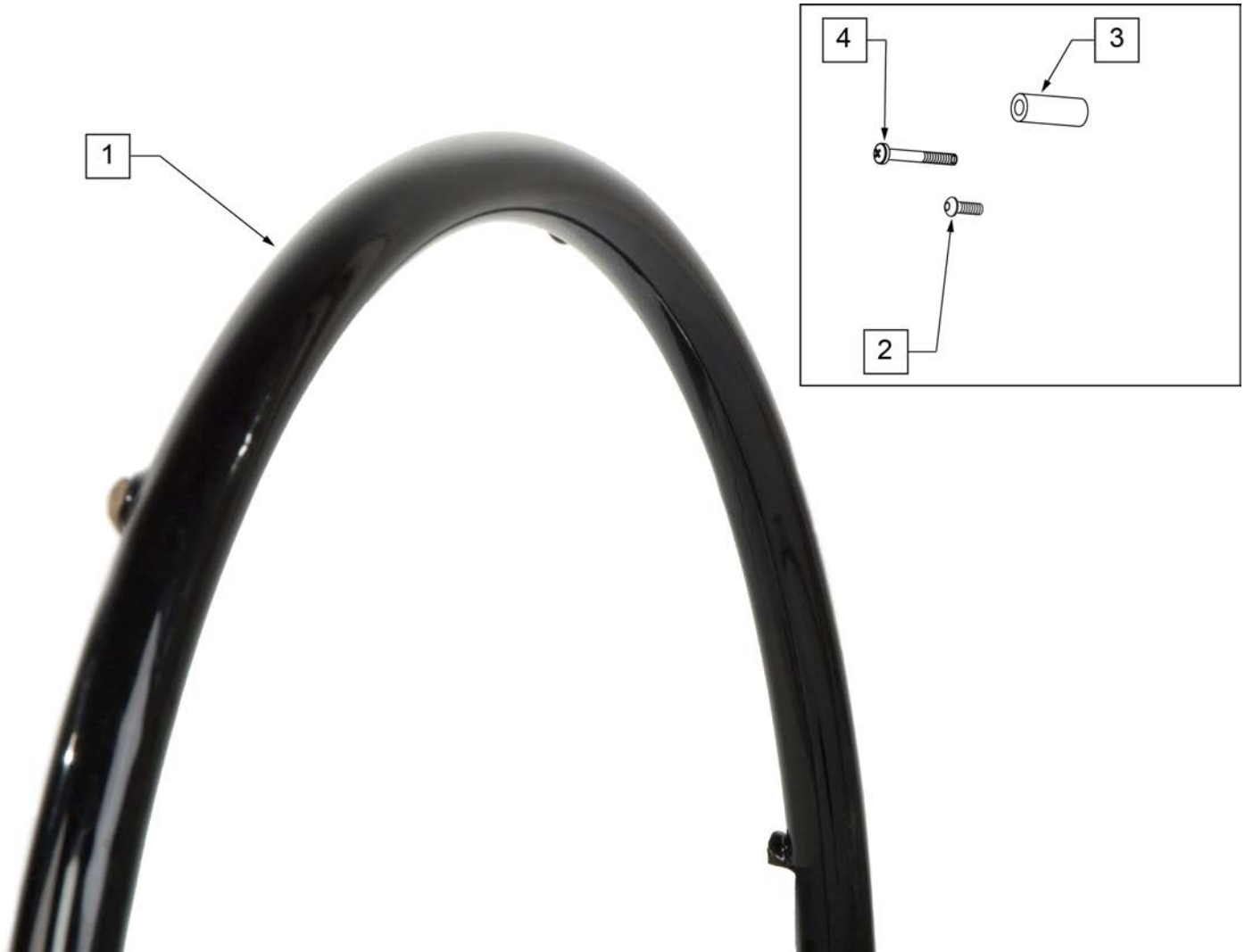
Pos.	Item Number	Description	Remarks
1-3	136158	20" ALU ANO HND RIM KIT	
1-3	136157	22" ALU ANO HND RIM KIT	
1-3	136156	24" ALU ANO HND RIM KIT	
2,3	159507	5 SPK HNDRM HDWR	set of 5



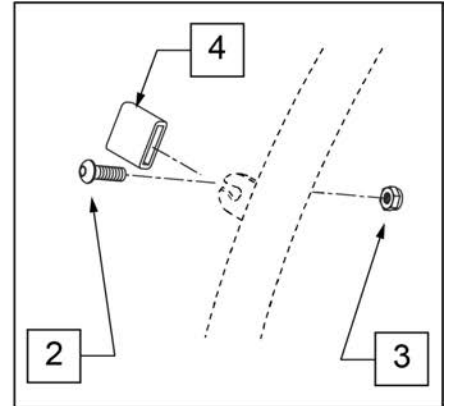
MEASURING GUIDE



Pos.	Item Number	Description	Remarks
>>>>>	>>>>>>>>>	ULTRA LITE SPOKE	>>>>>
1	100739-001	HANDRIM 22" WHL MBL 1260	22" (489)
1	100739-002	HANDRIM 24" WHL MBL 1260	24" (540)
1	100739-003	HANDRIM 26" WHL MBL 1260	26" (590)
2A	102259-001	BHCS M5 X .8 X 12 W/PL INORG	QTY 6 REG
>>>>>	>>>>>>>>>	NEW ULTRA LITE SPOKE	>>>>>
1	066516-002	LIGHTWEIGHT HANDRIM 22"	22" (489)
1	066516-003	LIGHTWEIGHT HANDRIM 24"	24" (540)
1	066516-004	LIGHTWEIGHT HANDRIM 25"	26" (559)
2B	012931	BHCS M5 X 10 W/PL BLK CL 10.9	QTY 6 REG

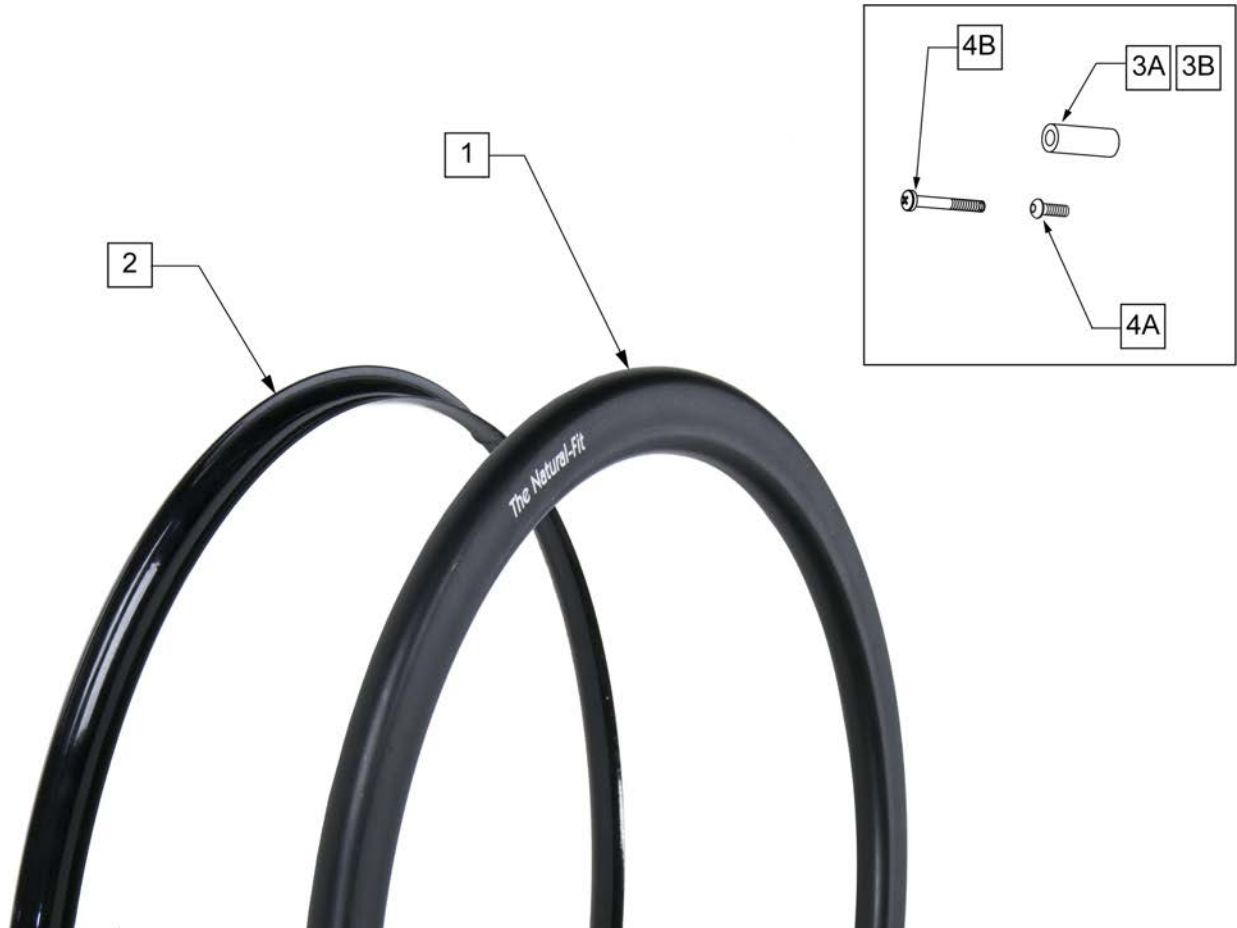


Pos.	Item Number	Description	Remarks
>>>>	>>>>>>>>>	SPOKE & LITE SPOKE	>>>>
1-3	425933	20" HR 6SMT PLST W/HDWR	20" SPOKE
1-3	425943	22" HR 6SMT PLST W/HDWR	22" (501) SPOKE
1-3	426004	24" HR 6SMT PLST W/HDWR	24" (540) SPOKE
>>>>	>>>>>>>>>	MAG	>>>>
1,4	425935	20" HR 6SMT 6MAG PLST W/HDWR	20" MAG
1,4	425953	22" HR 6SMT 6MAG PLST W/HDWR	22" (501) MAG
1,4	426013	24" HR 6SMT 6MAG PLST W/HDWR	24" (540) MAG
>>>>	>>>>>>>>>	M6 SPOKE	>>>>
1-3	425943	22" HR 6SMT 6 MAG PLST W/ HDWR	24" (540) M6 SPOKE
2,3	159534	PLST COATED HNDRM HARDWARE	SPOKE; SET OF 6
4	281175	10 -32 x 2 1/8 PAN PHIL SS	6 SPOKE MAG



Pos.	Item Number	Description	Remarks
>>>>>	>>>>>>>>>	MOUNTAIN	>>>>>
1,2	425022	22" HR 4T PLST W/ HDWR	24" (540)
>>>>>	>>>>>>>>>	SPINERGY & PROTON	>>>>>
1,2	425039	24"HR 6T BLK PLST W/HDWR	24" (540)
1,2	425052	26" HR 6T PLST BB/TN W/HDWR	26" (590)
>>>>>	>>>>>>>>>	QP (QUICKIE PERFORMANCE)	>>>>>
1,2	425052	26" HR 6T PLST BB/TN W/HDWR	26" (590)
1,2	426060	QP 26" HR W/ HDWR (6T) PLASTIC	26" (700)
2	159535	PLST COATED TAB HNDRM HDWR	

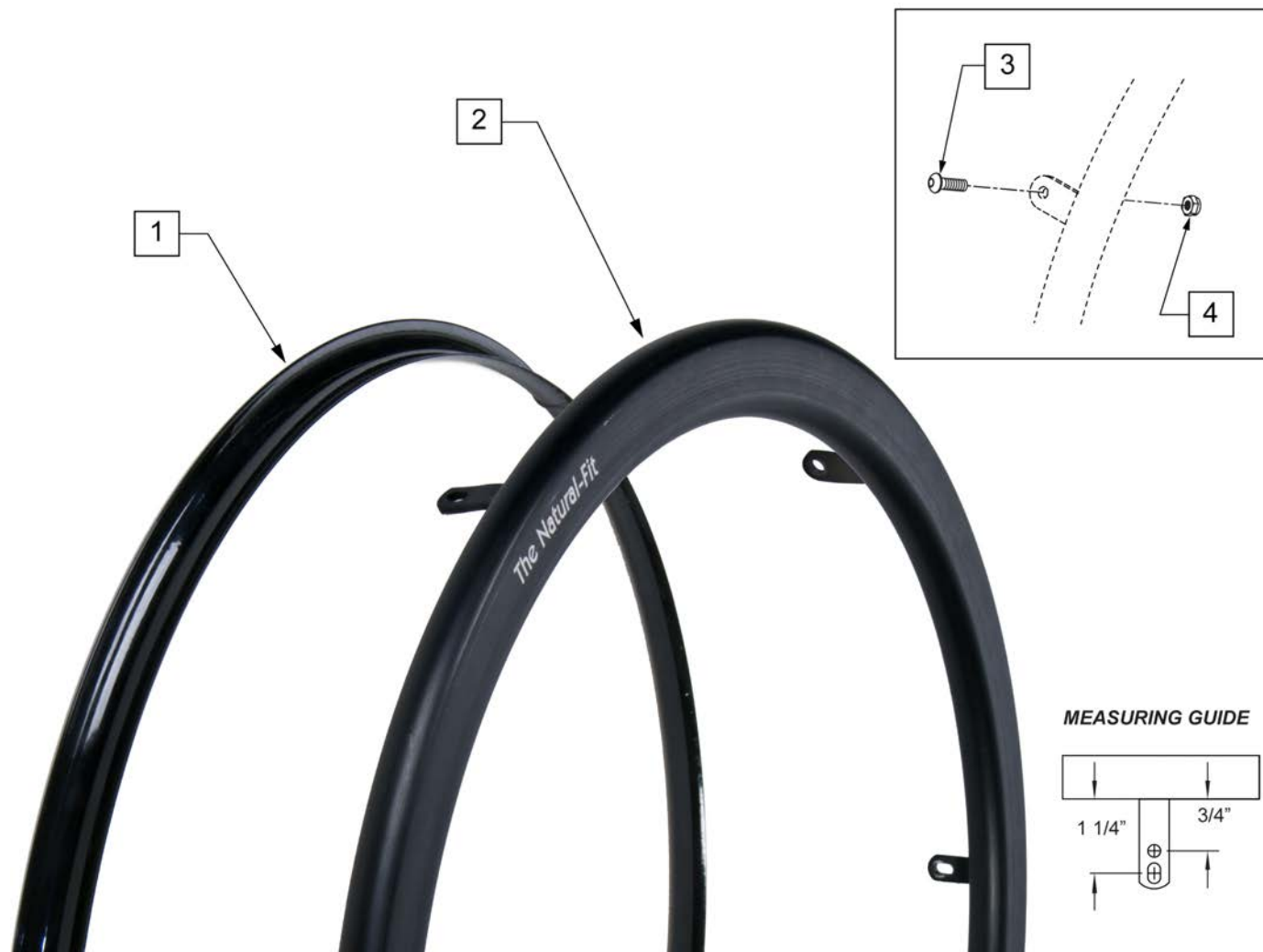
Note: Screw Mount Handrims are utilized with Lite Spoke, Spoke and 6 Spoke Mag Wheels.



Pos.	Item Number	Description	Remarks
>>>>>	>>>>>>>>>	STD GRIP THUMB GUARD	>>>>>
2	102168-001	GUARD THUMB NAT FIT 22 PC BLK	22" (501)- Std Grip Thumb Guard
2	102168-003	GUARD THUMB NAT FIT 24 PC BLK	24" (540)- Std Grip Thumb Guard
2	102168-005	GUARD THUMB NAT FIT 25 PC BLK	25" (559)- Std Grip Thumb Guard
2	102168-007	GUARD THUMB NAT FIT 26 PC BLK	26" (590)- Std Grip Thumb Guard
>>>>>	>>>>>>>>>	SUPER GRIP THUMB GUARD	>>>>>
2	102168-002	GUARD THUMB NAT FIT 22 SG BLK	22" (501)- Super Grip Thumb Guard
2	102168-004	GUARD THUMB NAT FIT 24 SG BLK	24" (540)- Super Grip Thumb Guard
2	102168-006	GUARD THUMB NAT FIT 25 SG BLK	25" (559)- Super Grip Thumb Guard
2	102168-008	THUMB GUARD NAT FIT 26 SG BLK	26" (590)- Super Grip Thumb Guard
>>>>>	>>>>>>>>>	NATURAL FIT LITE HANDRIM	>>>>>
1,3A,4A	159516	22 NAT-FIT LT HNDRIM W/HDWR	22" (501)
1,3A,4A	159517	24 NAT-FIT LT HNDRIM W/HDWR	24" (540)
1,3A,4A	159518	25 NAT-FIT LT HNDRIM W/HDWR	25" (559)
1,3A,4A	159519	26 NAT-FIT LT HNDRIM W/HDWR	26" (590)
>>>>>	>>>>>>>>>	NATURAL FIT HANDRIM	>>>>>
1,3A,4A	159520	22 NAT-FIT HNDRIM W/HDWR	22" (501)
1,3A,4A	159521	24 NAT-FIT HNDRIM W/HDWR	24" (540)

Pos.	Item Number	Description	Remarks
1,3A,4A	159522	25 NAT-FIT HNDRIM W/HDWR	25" (559)
1,3A,4A	159523	26 NAT-FIT HNDRIM W/HDWR	26" (590)
3A,4A	159524	NAT-FIT HNDRIM LT HDWR SET 6	USED W/ LITE SPOKE & SPOKE; SET OF 6
3B	101932	SPCR .194ID X .375 OD X .750	USED W/ MAG
4B	281175	10-32 X 2 1/8 PAN PHIL SS	USED W/ MAG

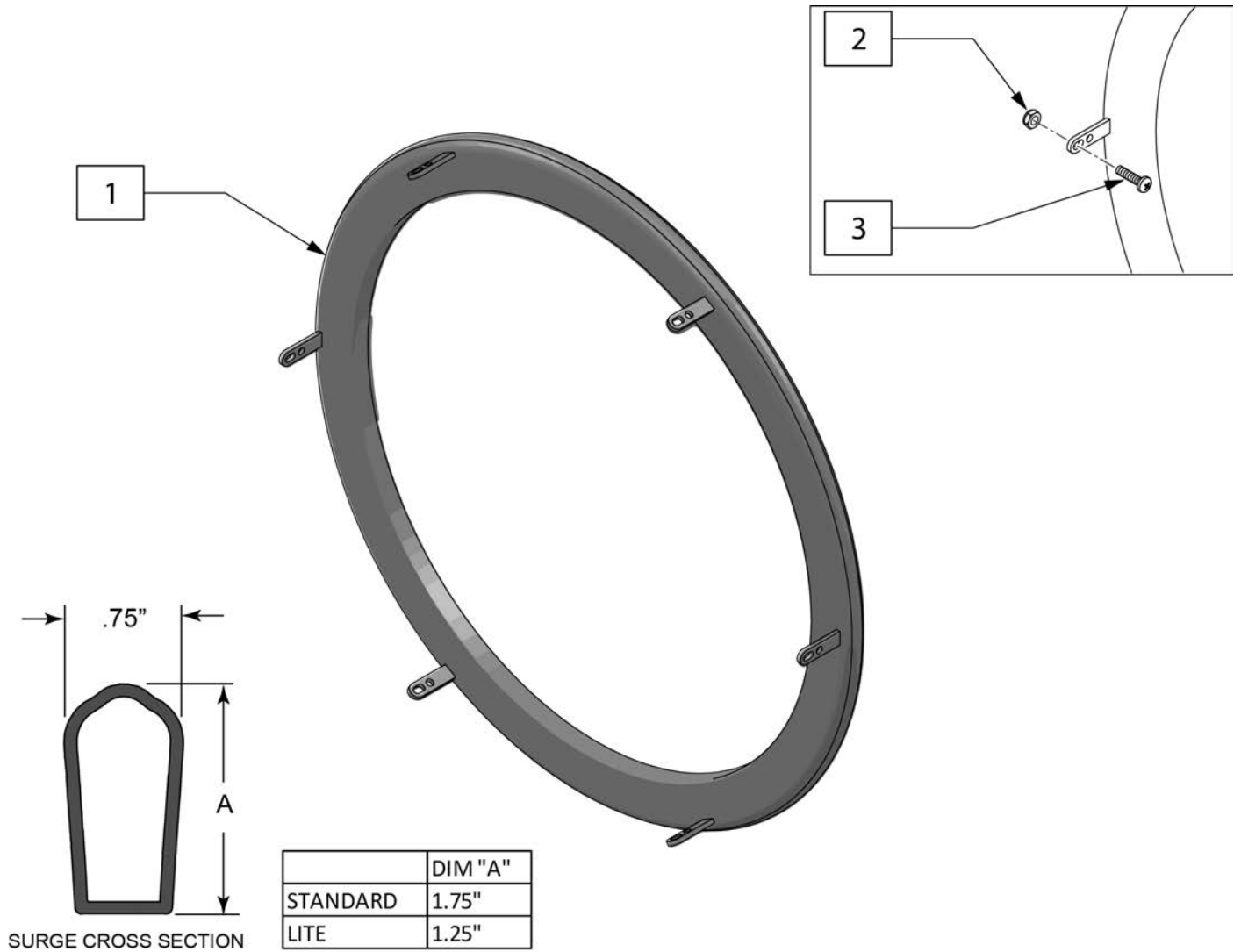
Note: Tab Mount Hand Rims are utilized with Spinergy & Toplino Wheels.



Pos.	Item Number	Description	Remarks
>>>>>	>>>>>>>>>	STD GRIP THUMB GRIP	>>>>>
1	102168-001	GUARD THUMB NAT FIT 22 PC BLK	22" (501)
1	102168-003	GUARD THUMB NAT FIT 24 PC BLK	24" (540)
1	102168-005	GUARD THUMB NAT FIT 25 PC BLK	25" (559)
1	102168-007	GUARD THUMB NAT FIT 26 PC BLK	26" (590)
>>>>>	>>>>>>>>>	SUPER GRIP THUMB GUARD	>>>>>
1	102168-002	GUARD THUMB NAT FIT 22 SG BLK	22" (501)
1	102168-004	GUARD THUMB NAT FIT 24 SG BLK	24" (540)
1	102168-006	GUARD THUMB NAT FIT 25 SG BLK	25" (559)
1	102168-008	THUMB GUARD NAT FIT 26 SG BLK	26" (590)
>>>>>	>>>>>>>>>	NATURAL FIT LITE HANDRIM	>>>>>
2-4	159525	22 NAT-FIT LT TB HNDRIM W/HDWR	22" (501)
2-4	159526	24 NAT-FIT LT TB HNDRIM W/HDWR	24" (540)
2-4	159527	25 NAT-FIT LT TB HNDRIM W/HDWR	25" (559)

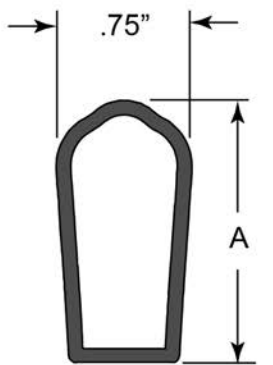
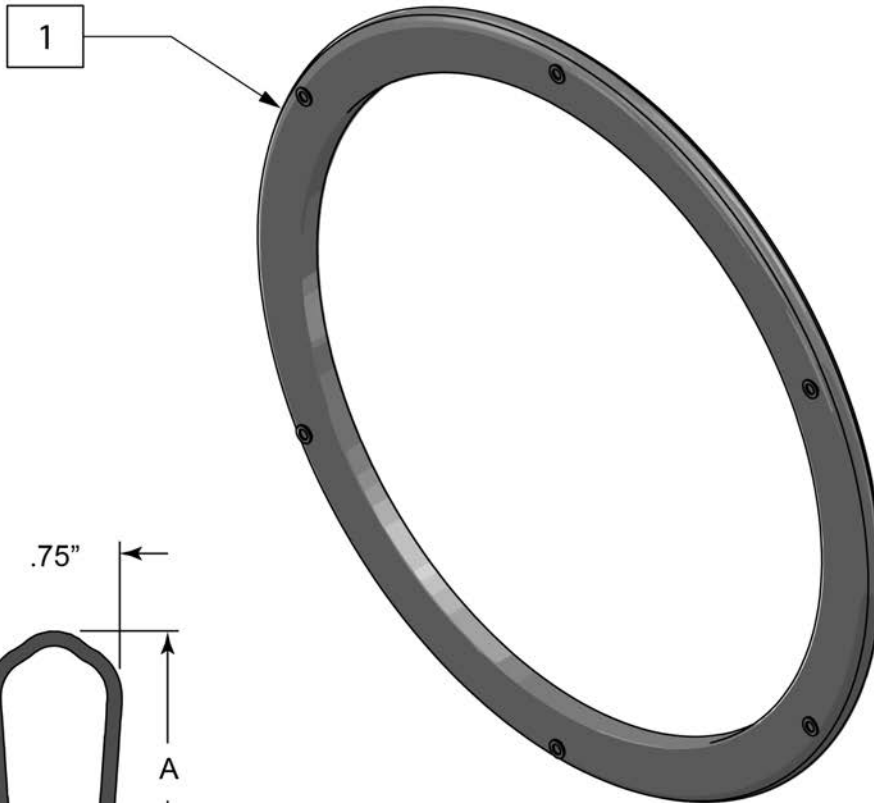
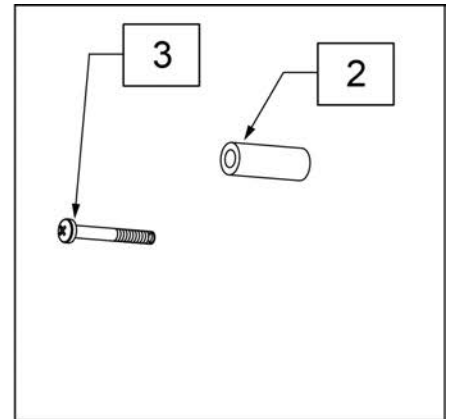
Pos.	Item Number	Description	Remarks
2-4	159528	26 NAT-FIT LT TB HNDRIM W/HDWR	26" (590)
>>>>>	>>>>>>>>>>	NATURAL FIT -W/O THUMB GRIP	>>>>>
2-4	159529	22 NAT-FIT TB HNDRIM W/HDWR	22" (501)
2-4	159530	24 NAT-FIT TB HNDRIM W/HDWR	24" (540)
2-4	159531	25 NAT-FIT TB HNDRIM W/HDWR	25" (559)
2-4	159532	26 NAT-FIT TB HNDRIM W/HDWR	26" (590)
3,4	159533	NAT-FIT TAB MNT HARDWARE	SET OF 6

Note: used on Spinergy SPOX and LX wheels.



Pos.	Item Number	Description
1-3	159492	22IN TAB SURGE HANDRIM W/HDWR
1-3	159493	24IN TAB SURGE HANDRIM W/HDWR
1-3	159494	25IN TAB SURGE HANDRIM W/HDWR
1-3	159495	26IN TAB SURGE HANDRIM W/HDWR
1-3	159496	22IN TAB SURGE HANDRIM LT W/HDWR
1-3	159497	24IN TAB SURGE HANDRIM LT W/HDWR
1-3	159498	25IN TAB SURGE HANDRIM LT W/HDWR
1-3	159499	26IN TAB SURGE HANDRIM LT W/HDWR
2,3	159500	SURGE HARDWARE TAB MNT

Note: used on Lite Spoke wheels.



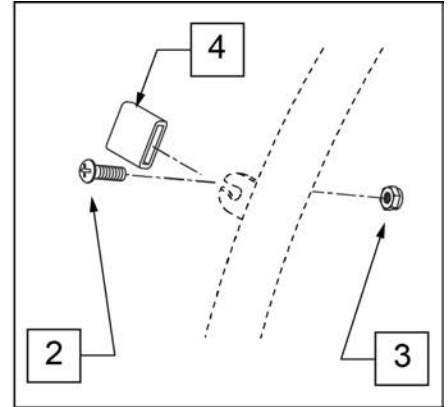
SURGE CROSS SECTION

	DIM "A"
STANDARD	1.75"
LITE	1.25"

Pos.	Item Number	Description	Remarks
1-3	159483	22IN HANDRIM SURGE W/HDWR	
1-3	159484	24IN HANDRIM SURGE W/HDWR	
1-3	159485	25IN HANDRIM SURGE W/HDWR	
1-3	159486	26IN HANDRIM SURGE W/HDWR	
1-3	159487	22IN HANDRIM LT SURGE W/HDWR	
1-3	159488	24IN HANDRIM LT SURGE W/HDWR	
1-3	159489	25IN HANDRIM LT SURGE W/HDWR	
1-3	159490	26IN HANDRIM LT SURGE W/HDWR	
2,3	159491	SURGE HARDWARE	set of 6

Note: Handrim is Latex free.

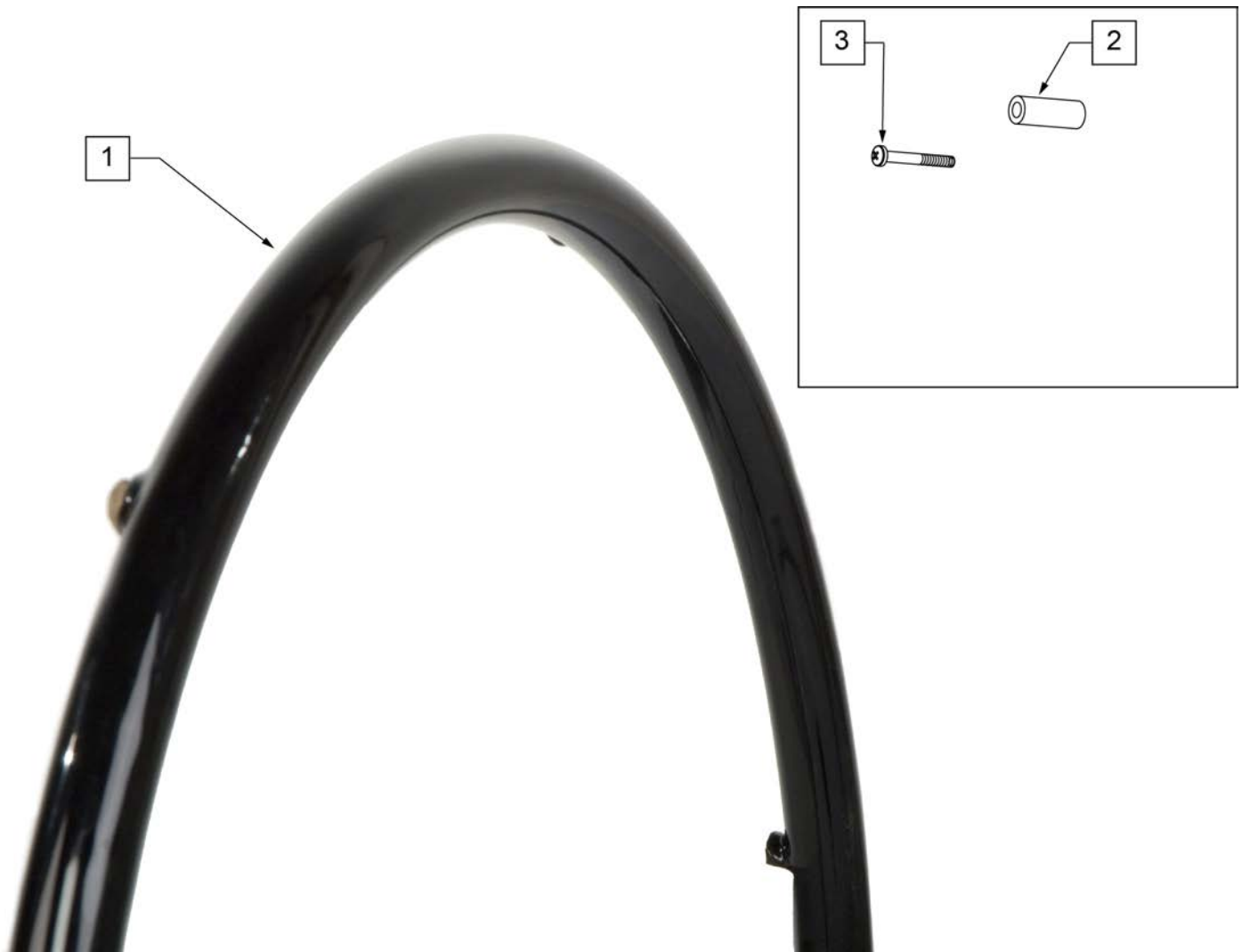
Note: used on Spinergy SPOX and LX wheels.



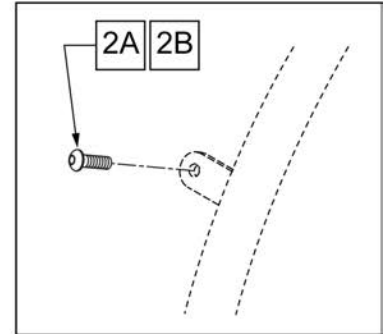
Pos.	Item Number	Description	Remarks
1-4	159501	24IN HANDRIM TAB Q-GRIP W/HDWR	
1-4	159502	25IN HANDRIM TAB Q-GRIP W/HDWR	
2-4	159503	HANDRIM TAB Q-GRIP HARDWARE	set of 6

Note: Handrim is Latex free.

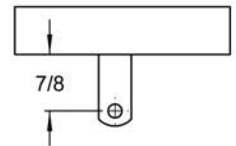
Note: used on Lite Spoke Wheels.



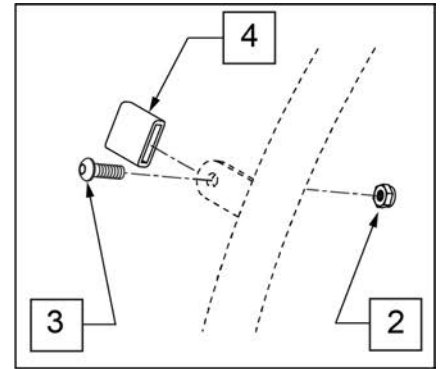
Pos.	Item Number	Description	Remarks
1-3	159504	24 HNDRIM RVNUT Q-GRIP W/HDWR	
1-3	159505	25 HNDRIM RVNUT Q-GRIP W/HDWR	
2,3	159506	Q-GRIP HARDWARE	set of 6



MEASURING GUIDE



Pos.	Item Number	Description	Remarks
>>>>>	>>>>>>>>>>	NEW ULTRA LITE SPOKE	>>>>>
1	163444S	24IN ULT LT SPK PWDRCT HDRM	24" (540)
1	163445S	25IN ULT LT SPK PWDRCT HDRM	26" (559)
2B	012931	BHCS M5 X 10 W/PL BLK CL 10.9	QTY 6 REG



Pos.	Item Number	Description	Remarks
>>>>>	>>>>>>>>>>	CROSS SPOKE & SPOKE	>>>>>
1 -4	425095S	HANDRIM 18" 4T W/HDWR ANO	18" SPOKE
1	529529S	QP 24" HR .065 (6) TAB ANO	24" (540) CROSS SPOKE -SHORT & REG TAB
1 -4	425030S	24" HR 6T BB/HTBB W/HDWR	25" (590) CROSS SPOKE
>>>>>	>>>>>>>>>>	CROSS SPOKE QP (QUICKIE PERFORMANCE)	>>>>>
1 -4	425050S	26" HR 6T BB/TN W/HDWR	26" (590) CROSS SPOKE TENNIS & BBALL
1 -4	425045S	24" HR SHT(6T)ANO W/X/S HDWR	25" (590) CROSS SPOKE TENNIS & BBALL-SHORT TAB
1 -4	425048S	26" HR (6T)ANO W/X/S HDWR	26" (700) CROSS SPOKE TENNIS & BBALL -REG TAB
1 -4	425055S	26" HR SHT(6T)ANO W/X/S HDWR	26" (700) CROSS SPOKE TENNIS & BBALL-SHORT TAB
1 -4	426015S	QP 24" HR .049 W/HDWR SMT	24" (540) TENNIS
1 -4	425030S	24" HR 6T BB/HTBB W/HDWR	25" (559) TENNIS & BASKETBALL
1 -4	426050S	QP 26" HR .065 W/HDWR (6T)	26" (700) TENNIS & BASKETBALL
1 -4	425050S	26" HR 6T BB/TN W/HDWR	26" (590) TENNIS & BASKETBALL
>>>>>	>>>>>>>>>>	SPINERGY	>>>>>
1	529529S	QP 24" HR .065 (6) TAB ANO	24" (540) SPINERGY
1 -4	425038S	QP 24" HR .049 W/HDWR (6T)	25" (559) SPINERGY
1 -4	425050S	26" HR 6T BB/TN W/HDWR	26" (590) SPINERGY
>>>>>	>>>>>>>>>>	MOUNTAIN	>>>>>
1 -4	425020S	22" HR 4T W/HDWR	24" (540) MOUNTAIN

Pos.	Item Number	Description	Remarks
1 -4	425030S	24" HR 6T BB/HTBB W/HDWR	26" (590) MOUNTAIN
2-4	159515	AA TAB MOUNT HANDRIM HARDWARE	SET OF 6



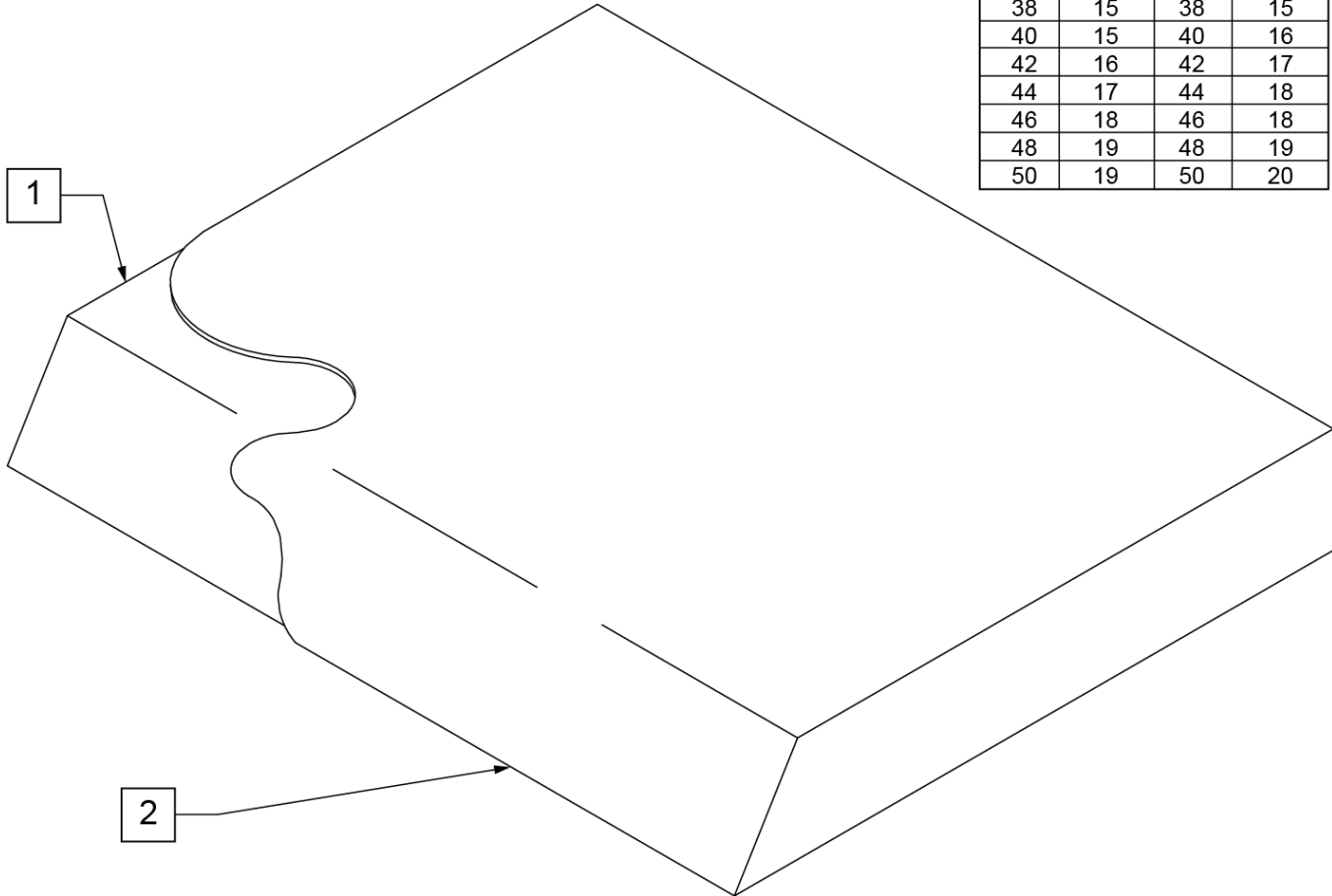
Pos.	Item Number	Description	Remarks
>>>>>	>>>>>>>>>>>	LITE SPOKE	>>>>>
1,2A,3A	163434S	20IN LT SPK AA PWDR CT HNDRIM	20" LITE SPOKE
1,2A,3A	163435S	22IN LT SPK AA PWDR CT HNDRIM	22" (501) LITE SPOKE
1,2A,3A	163436S	24IN LT SPK AA PWDR CT HNDRIM	24" (540) LITE SPOKE
1,2A,3A	163437S	25IN LT SPK AA PWDR CT HNDRIM	25" (559) LITE SPOKE
1,2A,3A	163438S	26IN LT SPK AA PWDR CT HNDRIM	26" (590) LITE SPOKE
2A,3A	159513	LT SPK AL AN HNDRIM HDWR	LITE SPOKE, SET OF 6
>>>>>	>>>>>>>>>>>	SPOKE	>>>>>
1,2B,3B	425931S	20" HR 6SMT W/HDWR	20" SPOKE
1,2B,3B	425941S	22" HR 6SMT W/HDWR	22" (501) SPOKE
1,2B,3B	426000S	24" HR 6SMT W/ HDWR	24" (540) SPOKE
2B,3B	159514	SPK AL AN HNDRIM HDWR	SPOKE, SET OF 6
>>>>>	>>>>>>>>>>>	MAG	>>>>>
1,3C	425934S	20" HR 6SMT 6MAG W/HDWR	20" MAG
1,3C	425951S	22" HR 6SMT 6MAG W/HDWR	22" (501) MAG
1,3C	426009S	24" HR 6SMT 6MAG W/HDWR	24" (540) MAG
3C	281175	10-32 X 2 1/8 PAN PHIL SS	MAG
>>>>>	>>>>>>>>>>>	M6 SPOKE	>>>>>
1,2B,3B	425941S	22" HR 6SMT W/HDWR	24" (540) SPOKE



Pos.	Item Number	Description	Remarks
1A	Discontinued	Presta Valves Discontinued	
1A	384736	INNER TUBE 12-1/2" X 2-1/4"	
1A	384738	16" X 1.75" INNER TUBE	
1A	382255	TUBE 18" TIRE	18" X 1-3/4" TUBE
1A	382275	20" TUBE	20" 1-3/8" TUBE
1A	382300	22" TUBE	22" X 1-3/8" TUBE
1A	382336	TUBE PRIMO 24" 25-540 SV	24" X 1" TUBE
1A	382325	24 X 1.3/8IN TUBE REG	
1A	382334	TUBE INLINE 24 X 1.75	
1A	384551	26" X 1" TUBE SCHRADER	
1A	382350	26" TUBE	26" X 1-3/8" TUBE
1A	382361	TUBE 26 X 1.5/1.95/ S/V	
1A	382365	26 X 1.25/1.5 TUBE SHRADER	
1A	382375	24" x 2.125 TUBE	
1B	102972-001	12 1/2 IN AIRLESS INSERT	12-1/2" X 2-1/4"
1B	102973-001	16IN AIRLESS INSERT	16" X 1-3/4"
1B	102973-002	18IN AIRLESS INSERT	18" X 1-3/4"
1B	102973-003	20IN AIRLESS INSERT	20" X 1-3/8"
1B	102972-002	AIRLESS INSERT 20 X 2-1/8 P3	
1B	102973-004	22IN AIRLESS INSERT	22" X 1-3/8"
1B	102973-005	24IN AIRLESS INSERT	24" X 1-3/8"
1B	102972-003	AIRLESS INSERT 24 X 2-1/8	
1B	108259	26" AIRLESS INSERT	26" X 1-3/8"

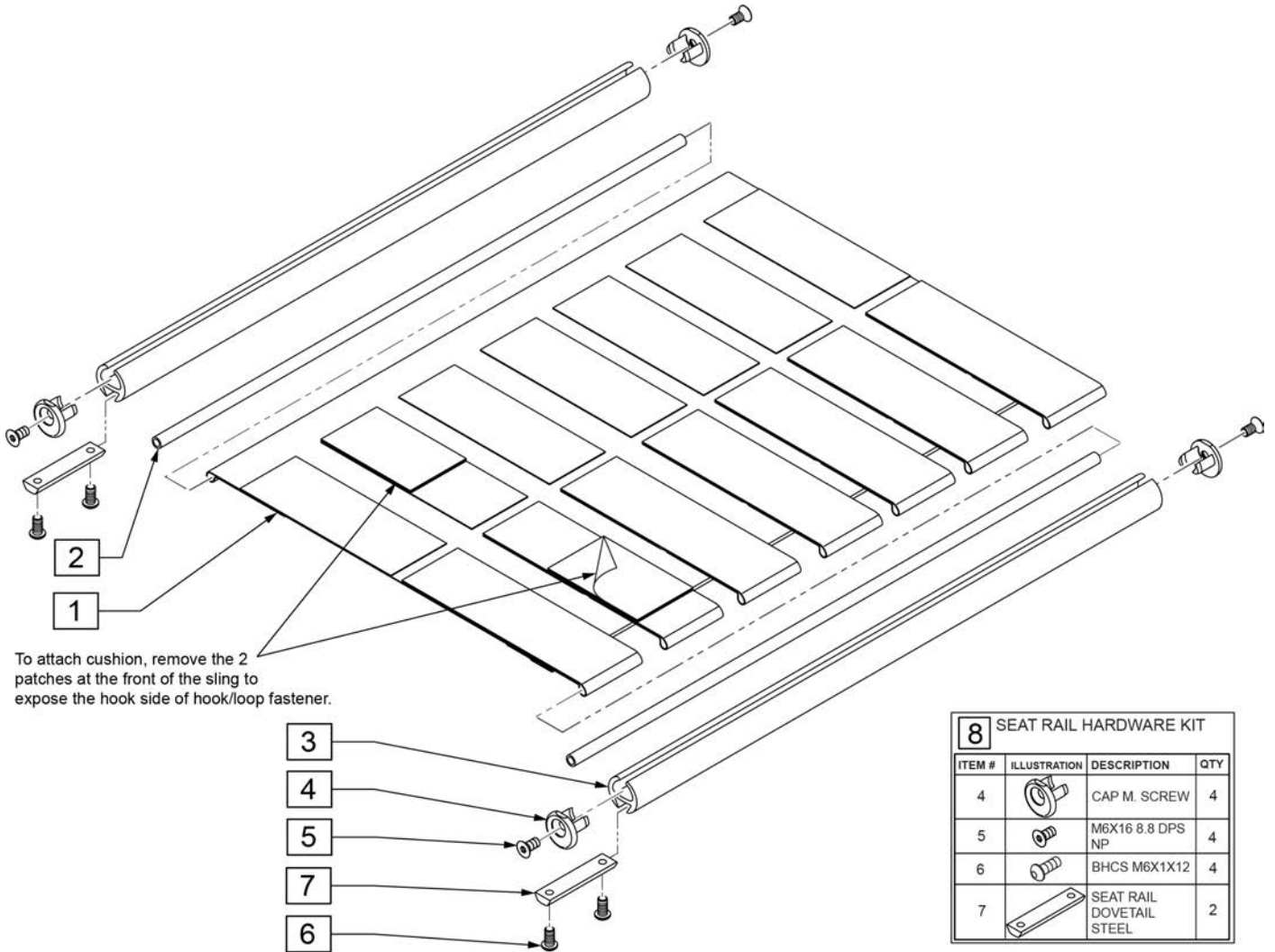
Metric to Imperial Conversion Guide

Seat Width		Seat Depth	
Metric (cm)	Imperial (in)	Metric (cm)	Imperial (in)
34	13	34	14
36	14	36	15
38	15	38	15
40	15	40	16
42	16	42	17
44	17	44	18
46	18	46	18
48	19	48	19
50	19	50	20



Pos.	Item Number	Description	Remarks
>>>>		12" WIDE SEAT CUSHION	
1,2	700142	SEAT CUSHION 12" X 14" X 2"	32cm x 34cm x 5cm
1,2	700152	SEAT CUSHION 12" X 15" X 2"	32cm x 36cm x 5cm, 32cm x 38cm x 5cm
1,2	700162	SEAT CUSHION 12" X 16" X 2"	32cm x 40cm x 5cm
1,2	700172	SEAT CUSHION 12" X 17" X 2"	32cm x 42cm x 5cm
1,2	700182	SEAT CUSHION 12" X 18" X 2"	32cm x 44cm x 5cm, 32cm x 46cm x 5cm
1,2	700192	SEAT CUSHION 12" X 19" X 2"	32cm x 48cm x 5cm
>>>>		13" WIDE SEAT CUSHION	
1,2	700242	SEAT CUSHION 13" X 14" X 2"	34cm x 34cm x 5cm
1,2	700252	SEAT CUSHION 13" X 15" X 2"	34cm x 36cm x 5cm, 34cm x 38cm x 5cm
1,2	700262	SEAT CUSHION 13" X 16" X 2"	34cm x 40cm x 5cm
1,2	700272	SEAT CUSHION 13" X 17" X 2"	34cm x 42cm x 5cm
1,2	700277	SEAT CUSHION 13" X 18" X 2"	34cm x 44cm x 5cm, 34cm x 46cm x 5cm
1,2	700267	SEAT CUSHION 13" X 19" X 2"	34cm x 48cm x 5cm
>>>>		14" WIDE SEAT CUSHION	
1,2	700322	SEAT CUSHION 14" X 14" X 2"	36cm x 34cm x 5cm
1,2	700332	SEAT CUSHION 14" X 15" X 2"	36cm x 36cm x 5cm, 36cm x 38cm x 5cm
1,2	700342	SEAT CUSHION 14" X 16" X 2"	36cm x 40cm x 5cm

Pos.	Item Number	Description	Remarks
1,2	700352	SEAT CUSHION 14" X 17" X 2"	36cm x 42cm x 5cm
1,2	700362	SEAT CUSHION 14" X 18" X 2"	36cm x 44cm x 5cm, 36cm x 46cm x 5cm
1,2	700372	SEAT CUSHION 14" X 19" X 2"	36cm x 48cm x 5cm
1,2	700382	SEAT CUSHION 14" X 20" X 2"	36cm x 50cm x 5cm
>>>>		15" WIDE SEAT CUSHION	
1,2	700422	SEAT CUSHION 15" X 14" X 2"	38cm x 34cm x 5cm ,40cm x 34cm x 5cm
1,2	700432	SEAT CUSHION 15" X 15" X 2"	38cm x 36cm x 5cm, 38cm x 38cm x 5cm, 40cm x 36cm x 5cm, 40cm x 38cm x 5cm
1,2	700442	SEAT CUSHION 15" X 16" X 2"	38cm x 40cm x 5cm, 40cm x 40cm x 5cm
1,2	700452	SEAT CUSHION 15" X 17" X 2"	38cm x 42cm x 5cm, 40cm x 42cm x 5cm
1,2	700462	SEAT CUSHION 15" X 18" X 2"	38cm x 44cm x 5cm, 38cm x 46cm x 5cm, 40cm x 44cm x 5cm, 40cm x 46cm x 5cm
1,2	700472	SEAT CUSHION 15" X 19" X 2"	38cm x 48cm x 5cm, 40cm x 48cm x 5cm
1,2	700482	SEAT CUSHION 15" X 20" X 2"	38cm x 50cm x 5cm, 40cm x 50cm x 5cm
>>>>		16" WIDE SEAT CUSHION	
1,2	700522	SEAT CUSHION 16" X 14" X 2"	42cm x 34cm x 5cm
1,2	700532	SEAT CUSHION 16" X 15" X 2"	42cm x 36cm x 5cm, 42cm x 38cm x 5cm
1,2	700542	SEAT CUSHION 16" X 16" X 2"	42cm x 40cm x 5cm
1,2	700552	SEAT CUSHION 16" X 17" X 2"	42cm x 42 cm x 5cm
1,2	700562	SEAT CUSHION 16" X 18" X 2"	42cm x 44cm x 5cm, 42cm x 46cm x 5cm
1,2	700572	SEAT CUSHION 16" X 19" X 2"	42cm x 48cm x 5cm
1,2	700582	SEAT CUSHION 16" X 20" X 2"	42cm x 50cm x 5cm
>>>>		17" WIDE SEAT CUSHION	
1,2	700602	SEAT CUSHION 17" X 14" X 2"	44cm x 34cm x 5cm
1,2	700612	SEAT CUSHION 17" X 15" X 2"	44cm x 36cm x 5cm, 44cm x 38cm x 5cm
1,2	700622	SEAT CUSHION 17" X 16" X 2"	44cm x 40cm x 5cm
1,2	700632	SEAT CUSHION 17" X 17" X 2"	44cm x 42cm x 5cm
1,2	700642	SEAT CUSHION 17" X 18" X 2"	44cm x 44cm x 5cm, 44cm x 46cm x 5cm
1,2	700652	SEAT CUSHION 17" X 19" X 2"	44cm x 48cm x 5cm
1,2	700662	SEAT CUSHION 17" X 20" X 2"	44cm x 50cm x 5cm
>>>>		18" WIDE SEAT CUSHION	
1,2	700702	SEAT CUSHION 18" X 14" X 2"	46cm 34cm x 5cm
1,2	700712	SEAT CUSHION 18" X 15" X 2"	46cm x 36cm x 5cm, 46cm x 38cm x 5cm
1,2	700722	SEAT CUSHION 18" X 16" X 2"	46cm x 40cm x 5cm
1,2	700732	SEAT CUSHION 18" X 17" X 2"	46cm x 42cm x 5cm
1,2	700742	SEAT CUSHION 18" X 18" X 2"	46cm x 44cm x 5cm, 46cm x 46cm x 5cm
1,2	700752	SEAT CUSHION 18" X 19" X 2"	46cm x 48cm x 5cm
1,2	700762	SEAT CUSHION 18" X 20" X 2"	46cm x 50cm x 5cm
>>>>		19" WIDE SEAT CUSHION	
1,2	700802	SEAT CUSHION 19" X 14" X 2"	48cm x 34cm, 50cm x 34cm
1,2	700812	SEAT CUSHION 19" X 15" X 2"	48cm x 36cm, 48cm x 38cm, 50cm x 36cm, 50cm x 38cm
1,2	700822	SEAT CUSHION 19" X 16" X 2"	48cm x 40cm, 50cm x 40cm
1,2	700832	SEAT CUSHION 19" X 17" X 2"	48cm x 42cm, 50cm x 42cm
1,2	700842	SEAT CUSHION 19" X 18" X 2"	48cm x 44cm, 48cm x 46cm, 50cm x 44cm, 50cm x 46cm
1,2	700852	SEAT CUSHION 19" X 19" X 2"	48cm x 48cm, 50cm x 48cm
1,2	700862	SEAT CUSHION 19" X 20" X 2"	48cm x 50cm, 50cm x 50cm



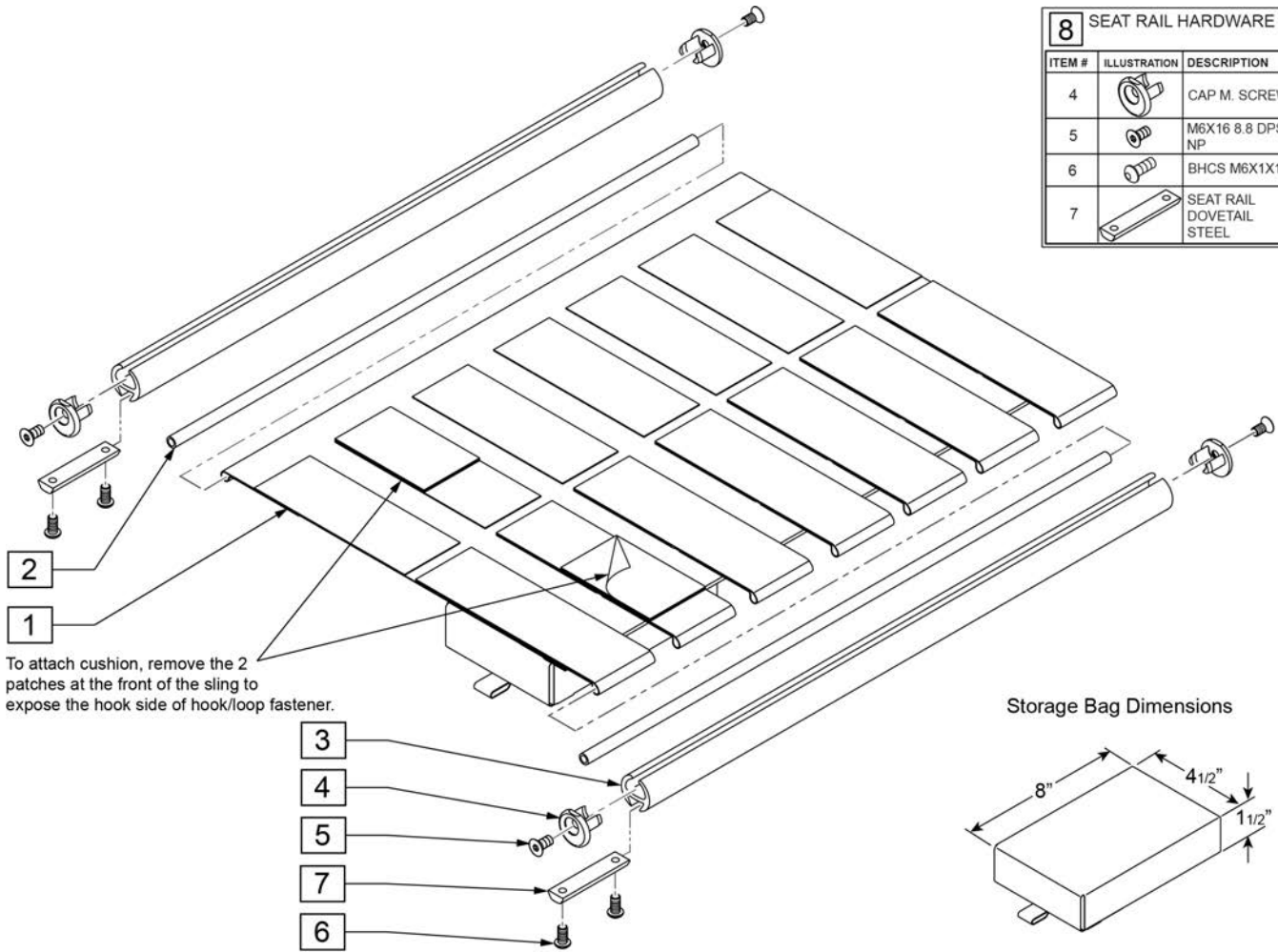
To attach cushion, remove the 2 patches at the front of the sling to expose the hook side of hook/loop fastener.

8 SEAT RAIL HARDWARE KIT			
ITEM #	ILLUSTRATION	DESCRIPTION	QTY
4		CAP M. SCREW	4
5		M6X16 8.8 DPS NP	4
6		BHCS M6X1X12	4
7		SEAT RAIL DOVETAIL STEEL	2

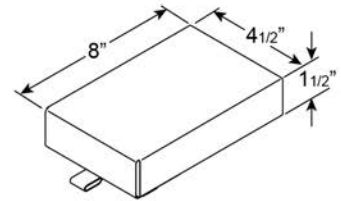
Pos.	Item Number	Description	Pos.	Item Number	Description
2	000832014-034	tension pipe ST34 L=310mm	1	244627	SEAT SLING 32X34
2	000832014-036	tension pipe ST36 L=330mm	1	246795	SEAT SLING 32X36
2	000832014-038	tension pipe ST38 L=350mm	1	246796	SEAT SLING 32X38
2	000832014-040	tension pipe ST40 L=370mm	1	246797	SEAT SLING 32X40
2	000832014-042	tension pipe ST42 L=390mm	1	246798	SEAT SLING 32X42
2	000832014-044	tension pipe ST44 L=410mm	1	246799	SEAT SLING 32X44
2	000832014-046	tension pipe ST46 L=430mm	1	246800	SEAT SLING 32X46
2	000832014-048	tension pipe ST48 L=450mm	1	246801	SEAT SLING 32X48
2	000832014-050	tension pipe ST50 L=470mm	1	246802	SEAT SLING 32X50
2-7	162478	SEAT RAIL 34 DEEP KIT	1	246803	SEAT SLING 34X34
2-7	162479	SEAT RAIL 36 DEEP KIT	1	246804	SEAT SLING 34X36
2-7	162480	SEAT RAIL 38 DEEP KIT	1	246805	SEAT SLING 34X38
2-7	162481	SEAT RAIL 40 DEEP KIT	1	246806	SEAT SLING 34X40
2-7	162482	SEAT RAIL 42 DEEP KIT	1	246807	SEAT SLING 34X42
2-7	162483	SEAT RAIL 44 DEEP KIT	1	246808	SEAT SLING 34X44
2-7	162484	SEAT RAIL 46 DEEP KIT	1	246809	SEAT SLING 34X46
2-7	162485	SEAT RAIL 48 DEEP KIT	1	246810	SEAT SLING 34X48
2-7	162486	SEAT RAIL 50 DEEP KIT	1	246811	SEAT SLING 34X50
8	162477	SEAT RAIL HARDWARE KIT	1	246812	SEAT SLING 36X34

Pos.	Item Number	Description	Pos.	Item Number	Description
1	246813	SEAT SLING 36X36	1	246849	SEAT SLING 44X36
1	246814	SEAT SLING 36X38	1	246850	SEAT SLING 44X38
1	246815	SEAT SLING 36X40	1	246851	SEAT SLING 44X40
1	246816	SEAT SLING 36X42	1	246852	SEAT SLING 44X42
1	246817	SEAT SLING 36X44	1	246853	SEAT SLING 44X44
1	246818	SEAT SLING 36X46	1	246854	SEAT SLING 44X46
1	246819	SEAT SLING 36X48	1	246855	SEAT SLING 44X48
1	246820	SEAT SLING 36X50	1	246856	SEAT SLING 44X50
1	246821	SEAT SLING 38X34	1	246857	SEAT SLING 46X34
1	246822	SEAT SLING 38X36	1	246858	SEAT SLING 46X36
1	246823	SEAT SLING 38X38	1	246859	SEAT SLING 46X38
1	246824	SEAT SLING 38X40	1	246860	SEAT SLING 46X40
1	246825	SEAT SLING 38X42	1	246861	SEAT SLING 46X42
1	246826	SEAT SLING 38X44	1	246862	SEAT SLING 46X44
1	246827	SEAT SLING 38X46	1	246863	SEAT SLING 46X46
1	246828	SEAT SLING 38X48	1	246864	SEAT SLING 46X48
1	246829	SEAT SLING 38X50	1	246865	SEAT SLING 46X50
1	246830	SEAT SLING 40X34	1	246866	SEAT SLING 48X34
1	246831	SEAT SLING 40X36	1	246867	SEAT SLING 48X36
1	246832	SEAT SLING 40X38	1	246868	SEAT SLING 48X38
1	246833	SEAT SLING 40X40	1	246869	SEAT SLING 48X40
1	246834	SEAT SLING 40X42	1	246870	SEAT SLING 48X42
1	246835	SEAT SLING 40X44	1	246871	SEAT SLING 48X44
1	246836	SEAT SLING 40X46	1	246872	SEAT SLING 48X46
1	246837	SEAT SLING 40X48	1	246873	SEAT SLING 48X48
1	246838	SEAT SLING 40X50	1	246874	SEAT SLING 48X50
1	246839	SEAT SLING 42X34	1	246875	SEAT SLING 50X34
1	246840	SEAT SLING 42X36	1	246876	SEAT SLING 50X36
1	246841	SEAT SLING 42X38	1	246877	SEAT SLING 50X38
1	246842	SEAT SLING 42X40	1	246878	SEAT SLING 50X40
1	246843	SEAT SLING 42X42	1	246879	SEAT SLING 50X42
1	246844	SEAT SLING 42X44	1	246880	SEAT SLING 50X44
1	246845	SEAT SLING 42X46	1	246881	SEAT SLING 50X46
1	246846	SEAT SLING 42X48	1	246882	SEAT SLING 50X48
1	246847	SEAT SLING 42X50	1	246883	SEAT SLING 50X50
1	246848	SEAT SLING 44X34			

8 SEAT RAIL HARDWARE KIT			
ITEM #	ILLUSTRATION	DESCRIPTION	QTY
4		CAP M. SCREW	4
5		M6X16 8.8 DPS NP	4
6		BHCS M6X1X12	4
7		SEAT RAIL DOVETAIL STEEL	2



Storage Bag Dimensions



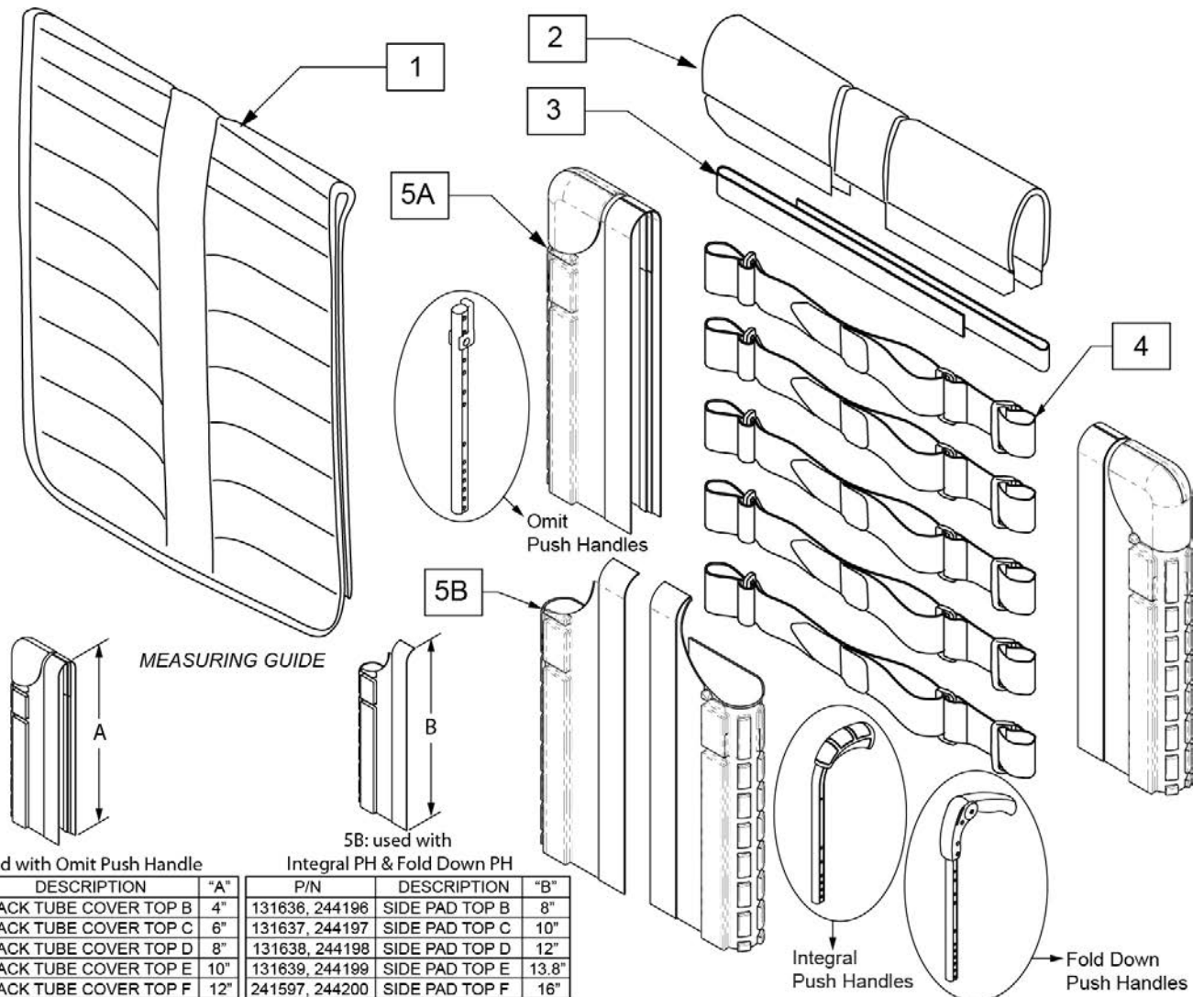
Pos.	Item Number	Description	Pos.	Item Number	Description
2	000832014-034	TENSION PIPE ST34 L=310mm	1	244630	SEAT SLING1 BAG 32X38
2	000832014-036	TENSION PIPE ST36 L=330mm	1	244631	SEAT SLING1 BAG 32X40
2	000832014-038	TENSION PIPE ST38 L=350mm	1	244632	SEAT SLING1 BAG 32X42
2	000832014-040	TENSION PIPE ST40 L=370mm	1	244633	SEAT SLING1 BAG 32X44
2	000832014-042	TENSION PIPE ST42 L=390mm	1	244634	SEAT SLING1 BAG 32X46
2	000832014-044	TENSION PIPE ST44 L=410mm	1	244635	SEAT SLING1 BAG 32X48
2	000832014-046	TENSION PIPE ST46 L=430mm	1	244636	SEAT SLING1 BAG 32X50
2	000832014-048	TENSION PIPE ST48 L=450mm	1	244638	SEAT SLING1 BAG 34X34
2	000832014-050	TENSION PIPE ST50 L=470mm	1	244639	SEAT SLING1 BAG 34X36
2-7	162478	SEAT RAIL 34 DEEP KIT	1	244640	SEAT SLING1 BAG 34X38
2-7	162479	SEAT RAIL 36 DEEP KIT	1	244641	SEAT SLING1 BAG 34X40
2-7	162480	SEAT RAIL 38 DEEP KIT	1	244642	SEAT SLING1 BAG 34X42
2-7	162481	SEAT RAIL 40 DEEP KIT	1	244643	SEAT SLING1 BAG 34X44
2-7	162482	SEAT RAIL 42 DEEP KIT	1	244644	SEAT SLING1 BAG 34X46
2-7	162483	SEAT RAIL 44 DEEP KIT	1	244645	SEAT SLING1 BAG 34X48
2-7	162484	SEAT RAIL 46 DEEP KIT	1	244646	SEAT SLING1 BAG 34X50
2-7	162485	SEAT RAIL 48 DEEP KIT	1	244648	SEAT SLING1 BAG 36X34
2-7	162486	SEAT RAIL 50 DEEP KIT	1	244649	SEAT SLING1 BAG 36X36
8	162477	SEAT RAIL HARDWARE KIT	1	244650	SEAT SLING1 BAG 36X38
1	246794	SEAT SLING1 BAG 32X34	1	244651	SEAT SLING1 BAG 36X40
1	244629	SEAT SLING1 BAG 32X36	1	244652	SEAT SLING1 BAG 36X42

Pos.	Item Number	Description	Pos.	Item Number	Description
1	244653	SEAT SLING1 BAG 36X44	1	244693	SEAT SLING1 BAG 44X40
1	244654	SEAT SLING1 BAG 36X46	1	244694	SEAT SLING1 BAG 44X42
1	244655	SEAT SLING1 BAG 36X48	1	244695	SEAT SLING1 BAG 44X44
1	244656	SEAT SLING1 BAG 36X50	1	244696	SEAT SLING1 BAG 44X46
1	244658	SEAT SLING1 BAG 38X34	1	244697	SEAT SLING1 BAG 44X48
1	244659	SEAT SLING1 BAG 38X36	1	244698	SEAT SLING1 BAG 44X50
1	244660	SEAT SLING1 BAG 38X38	1	244700	SEAT SLING1 BAG 46X34
1	244661	SEAT SLING1 BAG 38X40	1	244701	SEAT SLING1 BAG 46X36
1	244662	SEAT SLING1 BAG 38X42	1	244702	SEAT SLING1 BAG 46X38
1	244663	SEAT SLING1 BAG 38X44	1	244703	SEAT SLING1 BAG 46X40
1	244664	SEAT SLING1 BAG 38X46	1	244704	SEAT SLING1 BAG 46X42
1	244665	SEAT SLING1 BAG 38X48	1	244705	SEAT SLING1 BAG 46X44
1	244666	SEAT SLING1 BAG 38X50	1	244706	SEAT SLING1 BAG 46X46
1	244668	SEAT SLING1 BAG 40X34	1	244707	SEAT SLING1 BAG 46X48
1	244669	SEAT SLING1 BAG 40X36	1	244708	SEAT SLING1 BAG 46X50
1	244670	SEAT SLING1 BAG 40X38	1	244710	SEAT SLING1 BAG 48X34
1	244671	SEAT SLING1 BAG 40X40	1	244711	SEAT SLING1 BAG 48X36
1	244672	SEAT SLING1 BAG 40X42	1	244712	SEAT SLING1 BAG 48X38
1	244673	SEAT SLING1 BAG 40X44	1	244713	SEAT SLING1 BAG 48X40
1	244674	SEAT SLING1 BAG 40X46	1	244714	SEAT SLING1 BAG 48X42
1	244675	SEAT SLING1 BAG 40X48	1	244715	SEAT SLING1 BAG 48X44
1	244676	SEAT SLING1 BAG 40X50	1	244716	SEAT SLING1 BAG 48X46
1	244678	SEAT SLING1 BAG 42X34	1	244717	SEAT SLING1 BAG 48X48
1	244679	SEAT SLING1 BAG 42X36	1	244718	SEAT SLING1 BAG 48X50
1	244681	SEAT SLING1 BAG 42X38	1	244720	SEAT SLING1 BAG 50X34
1	244683	SEAT SLING1 BAG 42X40	1	244721	SEAT SLING1 BAG 50X36
1	244684	SEAT SLING1 BAG 42X42	1	244722	SEAT SLING1 BAG 50X38
1	244685	SEAT SLING1 BAG 42X44	1	244723	SEAT SLING1 BAG 50X40
1	244686	SEAT SLING1 BAG 42X46	1	244724	SEAT SLING1 BAG 50X42
1	244687	SEAT SLING1 BAG 42X48	1	244725	SEAT SLING1 BAG 50X44
1	244688	SEAT SLING1 BAG 42X50	1	244726	SEAT SLING1 BAG 50X46
1	244690	SEAT SLING1 BAG 44X34	1	244727	SEAT SLING1 BAG 50X48
1	244691	SEAT SLING1 BAG 44X36	1	244728	SEAT SLING1 BAG 50X50
1	244692	SEAT SLING1 BAG 44X38			

Note: Each back height/type uses a different variation of back straps; replacement strap kits contain more straps than needed to support all back types/heights.

Note: Item 5A/5B is required when ordering a complete back upholstery; order 2 each of the universal item 5A, or order left and right parts for item 5B; order based on Backrest Type, Back Post/Push Handle Style & Back Height Setting on the chair.

Note: for a Complete Backrest Upholstery, order item 1-4 and item 5A/5B.



5A: used with Omit Push Handle			5B: used with Integral PH & Fold Down PH		
P/N	DESCRIPTION	"A"	P/N	DESCRIPTION	"B"
132185	BACK TUBE COVER TOP B	4"	131636, 244196	SIDE PAD TOP B	8"
132186	BACK TUBE COVER TOP C	6"	131637, 244197	SIDE PAD TOP C	10"
132187	BACK TUBE COVER TOP D	8"	131638, 244198	SIDE PAD TOP D	12"
132188	BACK TUBE COVER TOP E	10"	131639, 244199	SIDE PAD TOP E	13.8"
241599	BACK TUBE COVER TOP F	12"	241597, 244200	SIDE PAD TOP F	16"

Pos.	Item Number	Description	Remarks
2	244213	BACKREST PAD SMALL 12"	Seat width 12"/32cm
2	244214	BACKREST PAD SMALL 13"	Seat width 13"/34cm
2	244215	BACKREST PAD SMALL 14"	Seat width 14"/36cm
2	244216	BACKREST PAD SMALL 15"	Seat width 15"/38cm,40cm
2	131876	BACKREST PAD SMALL 16"	Seat width 16"/42cm

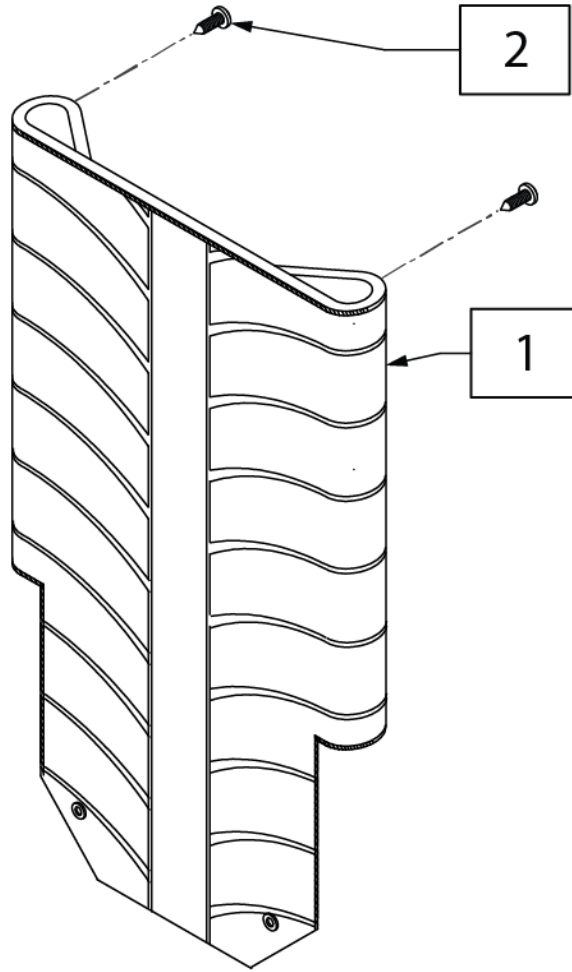
Pos.	Item Number	Description	Remarks
2	244217	BACKREST PAD LARGE 17"	Seat width 17"/44cm
2	244218	BACKREST PAD LARGE 18"	Seat width 18"/46cm
2	244219	BACKREST PAD LARGE 19"	Seat width 19"/48cm,50cm
3	052435-002	UPH,VNTD ADJ.,FPH STRP,14-15"W	Fold down push handle only
3	052435-003	UPH,VNTD ADJ.,FPH STRP,16-17"W	Fold down push handle only
3	052435-004	UPH,VNTD ADJ.,FPH STRP,18-20"W	Fold down push handle only
4	132297	BACK BELT ASSY 10"-16"	
4	132298	BACK BELT ASSY 17"-18"	
4	132299	BACK BELT ASSY 19"-20"	
5A	132185	BACK TUBE COVER TOP B	each; 25-27.5cm, Omit Push Handle
5A	132186	BACK TUBE COVER TOP C	each; 30-32.5cm, Omit Push Handle
5A	132187	BACK TUBE COVER TOP D	each; 35-37.5cm, Omit Push Handle
5A	132188	BACK TUBE COVER TOP E	each; 40-42.5cm, Omit Push Handle
5A	241599	BACK TUBE COVER TOP F	each; 45-47.5cm, Omit Push Handle
5B	131636	SIDE PAD TOP B RH	25-27.5cm, Integral Ergo & Folding PH
5B	244196	SIDE PAD TOP B LH	25-27.5cm, Integral Ergo & Folding PH
5B	131637	SIDE PAD TOP C RH	30-32.5cm, Integral Ergo & Folding PH
5B	244197	SIDE PAD TOP C LH	30-32.5cm, Integral Ergo & Folding PH
5B	131638	SIDE PAD TOP D RH	35-37.5cm, Integral Ergo & Folding PH
5B	244198	SIDE PAD TOP D LH	35-37.5cm, Integral Ergo & Folding PH
5B	131639	SIDE PAD TOP E RH	40-42.5cm, Integral Ergo & Folding PH
5B	244199	SIDE PAD TOP E LH	40-42.5cm, Integral Ergo & Folding PH
5B	241597	SIDE PAD TOP F RH	45-47.5cm, Integral Ergo & Fold Down PH
5B	244200	SIDE PAD TOP F LH	45-47.5cm, Integral Ergo & Fold Down PH
1-4	162651	BACK UPH TA EXO PRO 12W XS BLK	Seat width 12"/32cm; seat height: short 25-30cm
1-4	162652	BACK UPH TA EXO PRO 12W ST BLK	Seat width 12"/32cm; seat height: med 30-40cm
1-4	162653	BACK UPH TA EXO PRO 12W MD BLK	Seat width 12"/32cm; seat height: tall 40-45cm
1-4	162654	BACK UPH TA EXO PRO 12W TL BLK	Seat width 12"/32cm; seat height: x-tall 45-47.5cm
1-4	162655	BACK UPH TA EXO PRO 12W XT BLK	Seat width 13"/34cm; seat height: short 25-30cm
1-4	162656	BACK UPH TA EXO PRO 13W XS BLK	Seat width 13"/34cm; seat height: med 30-40cm
1-4	162657	BACK UPH TA EXO PRO 13W ST BLK	Seat width 13"/34cm; seat height: tall 40-45cm
1-4	162658	BACK UPH TA EXO PRO 13W MD BLK	Seat width 13"/34cm; seat height: x-tall 45-47.5cm
1-4	162659	BACK UPH TA EXO PRO 13W TL BLK	Seat width 14"/36cm; seat height: short 25-30cm
1-4	162660	BACK UPH TA EXO PRO 13W XT BLK	Seat width 14"/36cm; seat height: med 30-40cm
1-4	162661	BACK UPH TA EXO PRO 14W XS BLK	Seat width 14"/36cm; seat height: tall 40-45cm
1-4	162662	BACK UPH TA EXO PRO 14W ST BLK	Seat width 14"/36cm; seat height: x-tall 45-47.5cm
1-4	162663	BACK UPH TA EXO PRO 14W MD BLK	Seat width 15"/38cm,40cm; seat height: short 25-30cm
1-4	162664	BACK UPH TA EXO PRO 14W TL BLK	Seat width 15"/38cm,40cm; seat height: med 30-40cm
1-4	162665	BACK UPH TA EXO PRO 14W XT BLK	Seat width 15"/38cm,40cm; seat height: tall 40-45cm
1-4	162666	BACK UPH TA EXO PRO 15W XS BLK	Seat width 15"/38cm,40cm; seat height: x-tall 45-47.5cm
1-4	162667	BACK UPH TA EXO PRO 15W ST BLK	Seat width 16"/42cm; seat height: short 25-30cm
1-4	162668	BACK UPH TA EXO PRO 15W MD BLK	Seat width 16"/42cm; seat height: med 30-40cm
1-4	162669	BACK UPH TA EXO PRO 15W TL BLK	Seat width 16"/42cm; seat height: tall 40-45cm
1-4	162670	BACK UPH TA EXO PRO 15W XT BLK	Seat width 16"/42cm; seat height: x-tall 45-47.5cm
1-4	162671	BACK UPH TA EXO PRO 16W XS BLK	Seat width 17"/44cm; seat height: short 25-30cm
1-4	162672	BACK UPH TA EXO PRO 16W ST BLK	Seat width 17"/44cm; seat height: med 30-40cm
1-4	162673	BACK UPH TA EXO PRO 16W MD BLK	Seat width 17"/44cm; seat height: tall 40-45cm
1-4	162674	BACK UPH TA EXO PRO 16W TL BLK	Seat width 17"/44cm; seat height: x-tall 45-47.5cm
1-4	162675	BACK UPH TA EXO PRO 16W XT BLK	Seat width 18"/46cm; seat height: short 25-30cm
1-4	162676	BACK UPH TA EXO PRO 17W XS BLK	Seat width 18"/46cm; seat height: med 30-40cm
1-4	162677	BACK UPH TA EXO PRO 17W ST BLK	Seat width 18"/46cm; seat height: tall 40-45cm
1-4	162678	BACK UPH TA EXO PRO 17W MD BLK	Seat width 18"/46cm; seat height: x-tall 45-47.5cm
1-4	162679	BACK UPH TA EXO PRO 17W TL BLK	Seat width 19"/48cm,50cm; seat height: short 25-30cm
1-4	162680	BACK UPH TA EXO PRO 17W XT BLK	Seat width 19"/48cm,50cm; seat height: med 30-40cm
1-4	162681	BACK UPH TA EXO PRO 18W XS BLK	Seat width 19"/48cm,50cm; seat height: tall 40-45cm
1-4	162682	BACK UPH TA EXO PRO 18W ST BLK	Seat width 19"/48cm,50cm; seat height: x-tall 45-47.5cm
1-4	162683	BACK UPH TA EXO PRO 18W MD BLK	Seat width 12"/32cm; seat height: short 25-30cm

Pos.	Item Number	Description	Remarks
1-4	162684	BACK UPH TA EXO PRO 18W TL BLK	Seat width 12"/32cm; seat height: med 30-40cm
1-4	162685	BACK UPH TA EXO PRO 18W XT BLK	Seat width 12"/32cm; seat height: tall 40-45cm
1-4	162686	BACK UPH TA EXO PRO 19W ST BLK	Seat width 12"/32cm; seat height: x-tall 45-47.5cm
1-4	162687	BACK UPH TA EXO PRO 19W MD BLK	Seat width 13"/34cm; seat height: short 25-30cm
1-4	162688	BACK UPH TA EXO PRO 19W TL BLK	Seat width 13"/34cm; seat height: med 30-40cm
1-4	162689	BACK UPH TA EXO PRO 19W XT BLK	Seat width 13"/34cm; seat height: tall 40-45cm
1-4	162690	BACK UPH TA EXO PRO 20W XS BLK	Seat width 13"/34cm; seat height: x-tall 45-47.5cm
1-4	162691	BACK UPH TA EXO PRO 20W ST BLK	Seat width 14"/36cm; seat height: short 25-30cm
1-4	162692	BACK UPH TA EXO PRO 20W MD BLK	Seat width 14"/36cm; seat height: med 30-40cm
1-4	162693	BACK UPH TA EXO PRO 20W TL BLK	Seat width 14"/36cm; seat height: tall 40-45cm
1-4	162694	BACK UPH TA EXO PRO 20W XT BLK	Seat width 14"/36cm; seat height: x-tall 45-47.5cm
1-4	162695	BACK UPH TA EXO PRO 12W XS ORN	Seat width 15"/38cm,40cm; seat height: short 25-30cm
1-4	162696	BACK UPH TA EXO PRO 12W ST ORN	Seat width 15"/38cm,40cm; seat height: med 30-40cm
1-4	162697	BACK UPH TA EXO PRO 12W MD ORN	Seat width 15"/38cm,40cm; seat height: tall 40-45cm
1-4	162698	BACK UPH TA EXO PRO 12W TL ORN	Seat width 15"/38cm,40cm; seat height: x-tall 45-47.5cm
1-4	162699	BACK UPH TA EXO PRO 12W XT ORN	Seat width 16"/42cm; seat height: short 25-30cm
1-4	162700	BACK UPH TA EXO PRO 13W XS ORN	Seat width 16"/42cm; seat height: med 30-40cm
1-4	162701	BACK UPH TA EXO PRO 13W ST ORN	Seat width 16"/42cm; seat height: tall 40-45cm
1-4	162702	BACK UPH TA EXO PRO 13W MD ORN	Seat width 16"/42cm; seat height: x-tall 45-47.5cm
1-4	162703	BACK UPH TA EXO PRO 13W TL ORN	Seat width 17"/44cm; seat height: short 25-30cm
1-4	162704	BACK UPH TA EXO PRO 13W XT ORN	Seat width 17"/44cm; seat height: med 30-40cm
1-4	162705	BACK UPH TA EXO PRO 14W XS ORN	Seat width 17"/44cm; seat height: tall 40-45cm
1-4	162706	BACK UPH TA EXO PRO 14W ST ORN	Seat width 17"/44cm; seat height: x-tall 45-47.5cm
1-4	162707	BACK UPH TA EXO PRO 14W MD ORN	Seat width 18"/46cm; seat height: short 25-30cm
1-4	162708	BACK UPH TA EXO PRO 14W TL ORN	Seat width 18"/46cm; seat height: med 30-40cm
1-4	162709	BACK UPH TA EXO PRO 14W XT ORN	Seat width 18"/46cm; seat height: tall 40-45cm
1-4	162710	BACK UPH TA EXO PRO 15W XS ORN	Seat width 18"/46cm; seat height: x-tall 45-47.5cm
1-4	162711	BACK UPH TA EXO PRO 15W ST ORN	Seat width 19"/48cm,50cm; seat height: short 25-30cm
1-4	162712	BACK UPH TA EXO PRO 15W MD ORN	Seat width 19"/48cm,50cm; seat height: med 30-40cm
1-4	162713	BACK UPH TA EXO PRO 15W TL ORN	Seat width 19"/48cm,50cm; seat height: tall 40-45cm
1-4	162714	BACK UPH TA EXO PRO 15W XT ORN	Seat width 19"/48cm,50cm; seat height: x-tall 45-47.5cm
1-4	162715	BACK UPH TA EXO PRO 16W XS ORN	Seat width 12"/32cm; seat height: short 25-30cm
1-4	162716	BACK UPH TA EXO PRO 16W ST ORN	Seat width 12"/32cm; seat height: med 30-40cm
1-4	162717	BACK UPH TA EXO PRO 16W MD ORN	Seat width 12"/32cm; seat height: tall 40-45cm
1-4	162718	BACK UPH TA EXO PRO 16W TL ORN	Seat width 12"/32cm; seat height: x-tall 45-47.5cm
1-4	162719	BACK UPH TA EXO PRO 16W XT ORN	Seat width 13"/34cm; seat height: short 25-30cm
1-4	162720	BACK UPH TA EXO PRO 17W XS ORN	Seat width 12"/32cm; seat height: med 30-40cm
1-4	162721	BACK UPH TA EXO PRO 17W ST ORN	Seat width 13"/34cm; seat height: tall 40-45cm
1-4	162722	BACK UPH TA EXO PRO 17W MD ORN	Seat width 13"/34cm; seat height: x-tall 45-47.5cm
1-4	162723	BACK UPH TA EXO PRO 17W TL ORN	Seat width 14"/36cm; seat height: short 25-30cm
1-4	162724	BACK UPH TA EXO PRO 17W XT ORN	Seat width 14"/36cm; seat height: med 30-40cm
1-4	162725	BACK UPH TA EXO PRO 18W XS ORN	Seat width 14"/36cm; seat height: tall 40-45cm
1-4	162726	BACK UPH TA EXO PRO 18W ST ORN	Seat width 14"/36cm; seat height: x-tall 45-47.5cm
1-4	162727	BACK UPH TA EXO PRO 18W MD ORN	Seat width 15"/38cm,40cm; seat height: short 25-30cm
1-4	162728	BACK UPH TA EXO PRO 18W TL ORN	Seat width 15"/38cm,40cm; seat height: med 30-40cm
1-4	162729	BACK UPH TA EXO PRO 18W XT ORN	Seat width 15"/38cm,40cm; seat height: tall 40-45cm
1-4	162730	BACK UPH TA EXO PRO 19W XS ORN	Seat width 15"/38cm,40cm; seat height: x-tall 45-47.5cm
1-4	162731	BACK UPH TA EXO PRO 19W ST ORN	Seat width 16"/42cm; seat height: short 25-30cm
1-4	162732	BACK UPH TA EXO PRO 19W MD ORN	Seat width 16"/42cm; seat height: med 30-40cm
1-4	162733	BACK UPH TA EXO PRO 19W TL ORN	Seat width 16"/42cm; seat height: tall 40-45cm
1-4	162734	BACK UPH TA EXO PRO 19W XT ORN	Seat width 16"/42cm; seat height: x-tall 45-47.5cm
1-4	162735	BACK UPH TA EXO PRO 20W XS ORN	Seat width 17"/44cm; seat height: short 25-30cm
1-4	162736	BACK UPH TA EXO PRO 20W ST ORN	Seat width 17"/44cm; seat height: med 30-40cm
1-4	162737	BACK UPH TA EXO PRO 20W MD ORN	Seat width 17"/44cm; seat height: tall 40-45cm
1-4	162738	BACK UPH TA EXO PRO 20W TL ORN	Seat width 17"/44cm; seat height: x-tall 45-47.5cm
1-4	162739	BACK UPH TA EXO PRO 20W XT ORN	Seat width 18"/46cm; seat height: short 25-30cm
1-4	162740	BACK UPH TA EXO PRO 12W XS SLV	Seat width 18"/46cm; seat height: med 30-40cm

Pos.	Item Number	Description	Remarks
1-4	162741	BACK UPH TA EXO PRO 12W ST SLV	Seat width 18"/46cm; seat height: tall 40-45cm
1-4	162742	BACK UPH TA EXO PRO 12W MD SLV	Seat width 18"/46cm; seat height: x-tall 45-47.5cm
1-4	162743	BACK UPH TA EXO PRO 12W TL SLV	Seat width 19"/48cm,50cm; seat height: short 25-30cm
1-4	162744	BACK UPH TA EXO PRO 12W XT SLV	Seat width 19"/48cm,50cm; seat height: med 30-40cm
1-4	162745	BACK UPH TA EXO PRO 13W XS SLV	Seat width 19"/48cm,50cm; seat height: tall 40-45cm
1-4	162746	BACK UPH TA EXO PRO 13W ST SLV	Seat width 19"/48cm,50cm; seat height: x-tall 45-47.5cm
1-4	162747	BACK UPH TA EXO PRO 13W MD SLV	Seat width 12"/32cm; seat height: short 25-30cm
1-4	162748	BACK UPH TA EXO PRO 13W TL SLV	Seat width 12"/32cm; seat height: med 30-40cm
1-4	162749	BACK UPH TA EXO PRO 13W XT SLV	Seat width 12"/32cm; seat height: tall 40-45cm
1-4	162750	BACK UPH TA EXO PRO 14W XS SLV	Seat width 12"/32cm; seat height: x-tall 45-47.5cm
1-4	162751	BACK UPH TA EXO PRO 14W ST SLV	Seat width 13"/34cm; seat height: short 25-30cm
1-4	162752	BACK UPH TA EXO PRO 14W MD SLV	Seat width 12"/32cm; seat height: med 30-40cm
1-4	162753	BACK UPH TA EXO PRO 14W TL SLV	Seat width 13"/34cm; seat height: tall 40-45cm
1-4	162754	BACK UPH TA EXO PRO 14W XT SLV	Seat width 13"/34cm; seat height: x-tall 45-47.5cm
1-4	162755	BACK UPH TA EXO PRO 15W XS SLV	Seat width 14"/36cm; seat height: short 25-30cm
1-4	162756	BACK UPH TA EXO PRO 15W ST SLV	Seat width 14"/36cm; seat height: med 30-40cm
1-4	162757	BACK UPH TA EXO PRO 15W MD SLV	Seat width 14"/36cm; seat height: tall 40-45cm
1-4	162758	BACK UPH TA EXO PRO 15W TL SLV	Seat width 14"/36cm; seat height: x-tall 45-47.5cm
1-4	162759	BACK UPH TA EXO PRO 15W XT SLV	Seat width 15"/38cm,40cm; seat height: short 25-30cm
1-4	162760	BACK UPH TA EXO PRO 16W XS SLV	Seat width 15"/38cm,40cm; seat height: med 30-40cm
1-4	162761	BACK UPH TA EXO PRO 16W ST SLV	Seat width 15"/38cm,40cm; seat height: tall 40-45cm
1-4	162762	BACK UPH TA EXO PRO 16W MD SLV	Seat width 15"/38cm,40cm; seat height: x-tall 45-47.5cm
1-4	162763	BACK UPH TA EXO PRO 16W TL SLV	Seat width 16"/42cm; seat height: short 25-30cm
1-4	162764	BACK UPH TA EXO PRO 16W XT SLV	Seat width 16"/42cm; seat height: med 30-40cm
1-4	162765	BACK UPH TA EXO PRO 17W XS SLV	Seat width 16"/42cm; seat height: tall 40-45cm
1-4	162766	BACK UPH TA EXO PRO 17W ST SLV	Seat width 16"/42cm; seat height: x-tall 45-47.5cm
1-4	162767	BACK UPH TA EXO PRO 17W MD SLV	Seat width 17"/44cm; seat height: short 25-30cm
1-4	162768	BACK UPH TA EXO PRO 17W TL SLV	Seat width 17"/44cm; seat height: med 30-40cm
1-4	162769	BACK UPH TA EXO PRO 17W XT SLV	Seat width 17"/44cm; seat height: tall 40-45cm
1-4	162770	BACK UPH TA EXO PRO 18W XS SLV	Seat width 17"/44cm; seat height: x-tall 45-47.5cm
1-4	162771	BACK UPH TA EXO PRO 18W ST SLV	Seat width 18"/46cm; seat height: short 25-30cm
1-4	162772	BACK UPH TA EXO PRO 18W MD SLV	Seat width 18"/46cm; seat height: med 30-40cm
1-4	162773	BACK UPH TA EXO PRO 18W TL SLV	Seat width 18"/46cm; seat height: tall 40-45cm
1-4	162774	BACK UPH TA EXO PRO 18W XT SLV	Seat width 18"/46cm; seat height: x-tall 45-47.5cm
1-4	162775	BACK UPH TA EXO PRO 19W XS SLV	Seat width 19"/48cm,50cm; seat height: short 25-30cm
1-4	162776	BACK UPH TA EXO PRO 19W ST SLV	Seat width 19"/48cm,50cm; seat height: med 30-40cm
1-4	162777	BACK UPH TA EXO PRO 19W MD SLV	Seat width 19"/48cm,50cm; seat height: tall 40-45cm
1-4	162778	BACK UPH TA EXO PRO 19W TL SLV	Seat width 19"/48cm,50cm; seat height: x-tall 45-47.5cm
1-4	162779	BACK UPH TA EXO PRO 19W XT SLV	Seat width 12"/32cm; seat height: short 25-30cm
1-4	162780	BACK UPH TA EXO PRO 20W XS SLV	Seat width 12"/32cm; seat height: med 30-40cm
1-4	162781	BACK UPH TA EXO PRO 20W ST SLV	Seat width 12"/32cm; seat height: tall 40-45cm
1-4	162782	BACK UPH TA EXO PRO 20W MD SLV	Seat width 12"/32cm; seat height: x-tall 45-47.5cm
1-4	162783	BACK UPH TA EXO PRO 20W TL SLV	Seat width 13"/34cm; seat height: short 25-30cm
1-4	162784	BACK UPH TA EXO PRO 20W XT SLV	Seat width 12"/32cm; seat height: med 30-40cm
1-4	162785	BACK UPH TA EXO PRO 12W XS RED	Seat width 13"/34cm; seat height: tall 40-45cm
1-4	162786	BACK UPH TA EXO PRO 12W ST RED	Seat width 13"/34cm; seat height: x-tall 45-47.5cm
1-4	162787	BACK UPH TA EXO PRO 12W MD RED	Seat width 14"/36cm; seat height: short 25-30cm
1-4	162788	BACK UPH TA EXO PRO 12W TL RED	Seat width 14"/36cm; seat height: med 30-40cm
1-4	162789	BACK UPH TA EXO PRO 12W XT RED	Seat width 14"/36cm; seat height: tall 40-45cm
1-4	162790	BACK UPH TA EXO PRO 13W XS RED	Seat width 14"/36cm; seat height: x-tall 45-47.5cm
1-4	162791	BACK UPH TA EXO PRO 13W ST RED	Seat width 15"/38cm,40cm; seat height: short 25-30cm
1-4	162792	BACK UPH TA EXO PRO 13W MD RED	Seat width 15"/38cm,40cm; seat height: med 30-40cm
1-4	162793	BACK UPH TA EXO PRO 13W TL RED	Seat width 15"/38cm,40cm; seat height: tall 40-45cm
1-4	162794	BACK UPH TA EXO PRO 13W XT RED	Seat width 15"/38cm,40cm; seat height: x-tall 45-47.5cm
1-4	162795	BACK UPH TA EXO PRO 14W XS RED	Seat width 16"/42cm; seat height: short 25-30cm
1-4	162796	BACK UPH TA EXO PRO 14W ST RED	Seat width 16"/42cm; seat height: med 30-40cm
1-4	162797	BACK UPH TA EXO PRO 14W MD RED	Seat width 16"/42cm; seat height: tall 40-45cm

Pos.	Item Number	Description	Remarks
1-4	162798	BACK UPH TA EXO PRO 14W TL RED	Seat width 16"/42cm; seat height: x-tall 45-47.5cm
1-4	162799	BACK UPH TA EXO PRO 14W XT RED	Seat width 17"/44cm; seat height: short 25-30cm
1-4	162800	BACK UPH TA EXO PRO 15W XS RED	Seat width 17"/44cm; seat height: med 30-40cm
1-4	162801	BACK UPH TA EXO PRO 15W ST RED	Seat width 17"/44cm; seat height: tall 40-45cm
1-4	162802	BACK UPH TA EXO PRO 15W MD RED	Seat width 17"/44cm; seat height: x-tall 45-47.5cm
1-4	162803	BACK UPH TA EXO PRO 15W TL RED	Seat width 18"/46cm; seat height: short 25-30cm
1-4	162804	BACK UPH TA EXO PRO 15W XT RED	Seat width 18"/46cm; seat height: med 30-40cm
1-4	162805	BACK UPH TA EXO PRO 16W XS RED	Seat width 18"/46cm; seat height: tall 40-45cm
1-4	162806	BACK UPH TA EXO PRO 16W ST RED	Seat width 18"/46cm; seat height: x-tall 45-47.5cm
1-4	162807	BACK UPH TA EXO PRO 16W MD RED	Seat width 19"/48cm,50cm; seat height: short 25-30cm
1-4	162808	BACK UPH TA EXO PRO 16W TL RED	Seat width 19"/48cm,50cm; seat height: med 30-40cm
1-4	162809	BACK UPH TA EXO PRO 16W XT RED	Seat width 19"/48cm,50cm; seat height: tall 40-45cm
1-4	162810	BACK UPH TA EXO PRO 17W XS RED	Seat width 19"/48cm,50cm; seat height: x-tall 45-47.5cm
1-4	162811	BACK UPH TA EXO PRO 17W ST RED	
1-4	162812	BACK UPH TA EXO PRO 17W MD RED	
1-4	162813	BACK UPH TA EXO PRO 17W TL RED	
1-4	162814	BACK UPH TA EXO PRO 17W XT RED	
1-4	162815	BACK UPH TA EXO PRO 18W XS RED	
1-4	162816	BACK UPH TA EXO PRO 18W ST RED	
1-4	162817	BACK UPH TA EXO PRO 18W MD RED	
1-4	162818	BACK UPH TA EXO PRO 18W TL RED	
1-4	162819	BACK UPH TA EXO PRO 18W XT RED	
1-4	162820	BACK UPH TA EXO PRO 19W XS RED	
1-4	162821	BACK UPH TA EXO PRO 19W ST RED	
1-4	162822	BACK UPH TA EXO PRO 19W MD RED	
1-4	162823	BACK UPH TA EXO PRO 19W TL RED	
1-4	162824	BACK UPH TA EXO PRO 19W XT RED	
1-4	162825	BACK UPH TA EXO PRO 20W XS RED	
1-4	162826	BACK UPH TA EXO PRO 20W ST RED	
1-4	162827	BACK UPH TA EXO PRO 20W MD RED	
1-4	162828	BACK UPH TA EXO PRO 20W TL RED	
1-4	162829	BACK UPH TA EXO PRO 20W XT RED	
1-4	162830	BACK UPH TA EXO PRO 12W XS BLU	
1-4	162831	BACK UPH TA EXO PRO 12W ST	
1-4	162832	BACK UPH TA EXO PRO 12W MD BLU	
1-4	162833	BACK UPH TA EXO PRO 12W TL BLU	
1-4	162834	BACK UPH TA EXO PRO 12W XT BLU	
1-4	162835	BACK UPH TA EXO PRO 13W XS BLU	
1-4	162836	BACK UPH TA EXO PRO 13W ST BLU	
1-4	162837	BACK UPH TA EXO PRO 13W MD BLU	
1-4	162838	BACK UPH TA EXO PRO 13W TL BLU	
1-4	162839	BACK UPH TA EXO PRO 13W XT BLU	
1-4	162840	BACK UPH TA EXO PRO 14W XS BLU	
1-4	162841	BACK UPH TA EXO PRO 14W ST BLU	
1-4	162842	BACK UPH TA EXO PRO 14W MD BLU	
1-4	162843	BACK UPH TA EXO PRO 14W TL BLU	
1-4	162844	BACK UPH TA EXO PRO 14W XT BLU	
1-4	162845	BACK UPH TA EXO PRO 15W XS BLU	
1-4	162846	BACK UPH TA EXO PRO 15W ST BLU	
1-4	162847	BACK UPH TA EXO PRO 15W MD BLU	
1-4	162848	BACK UPH TA EXO PRO 15W TL BLU	
1-4	162849	BACK UPH TA EXO PRO 15W XT BLU	
1-4	162850	BACK UPH TA EXO PRO 16W XS BLU	
1-4	162851	BACK UPH TA EXO PRO 16W ST BLU	
1-4	162852	BACK UPH TA EXO PRO 16W MD BLU	
1-4	162853	BACK UPH TA EXO PRO 16W TL BLU	
1-4	162854	BACK UPH TA EXO PRO 16W XT BLU	

Pos.	Item Number	Description	Remarks
1-4	162855	BACK UPH TA EXO PRO 17W XS BLU	
1-4	162856	BACK UPH TA EXO PRO 17W ST BLU	
1-4	162857	BACK UPH TA EXO PRO 17W MD BLU	
1-4	162858	BACK UPH TA EXO PRO 17W TL BLU	
1-4	162859	BACK UPH TA EXO PRO 17W XT BLU	
1-4	162860	BACK UPH TA EXO PRO 18W XS BLU	
1-4	162861	BACK UPH TA EXO PRO 18W ST BLU	
1-4	162862	BACK UPH TA EXO PRO 18W MD BLU	
1-4	162863	BACK UPH TA EXO PRO 18W TL BLU	
1-4	162864	BACK UPH TA EXO PRO 18W XT BLU	
1-4	162865	BACK UPH TA EXO PRO 19W XS BLU	
1-4	162866	BACK UPH TA EXO PRO 19W ST BLU	
1-4	162867	BACK UPH TA EXO PRO 19W MD BLU	
1-4	162868	BACK UPH TA EXO PRO 19W TL BLU	
1-4	162869	BACK UPH TA EXO PRO 19W XT BLU	
1-4	162870	BACK UPH TA EXO PRO 20W XS BLU	
1-4	162871	BACK UPH TA EXO PRO 20W ST BLU	
1-4	162872	BACK UPH TA EXO PRO 20W MD BLU	
1-4	162873	BACK UPH TA EXO PRO 20W TL BLU	
1-4	162874	BACK UPH TA EXO PRO 20W XT BLU	



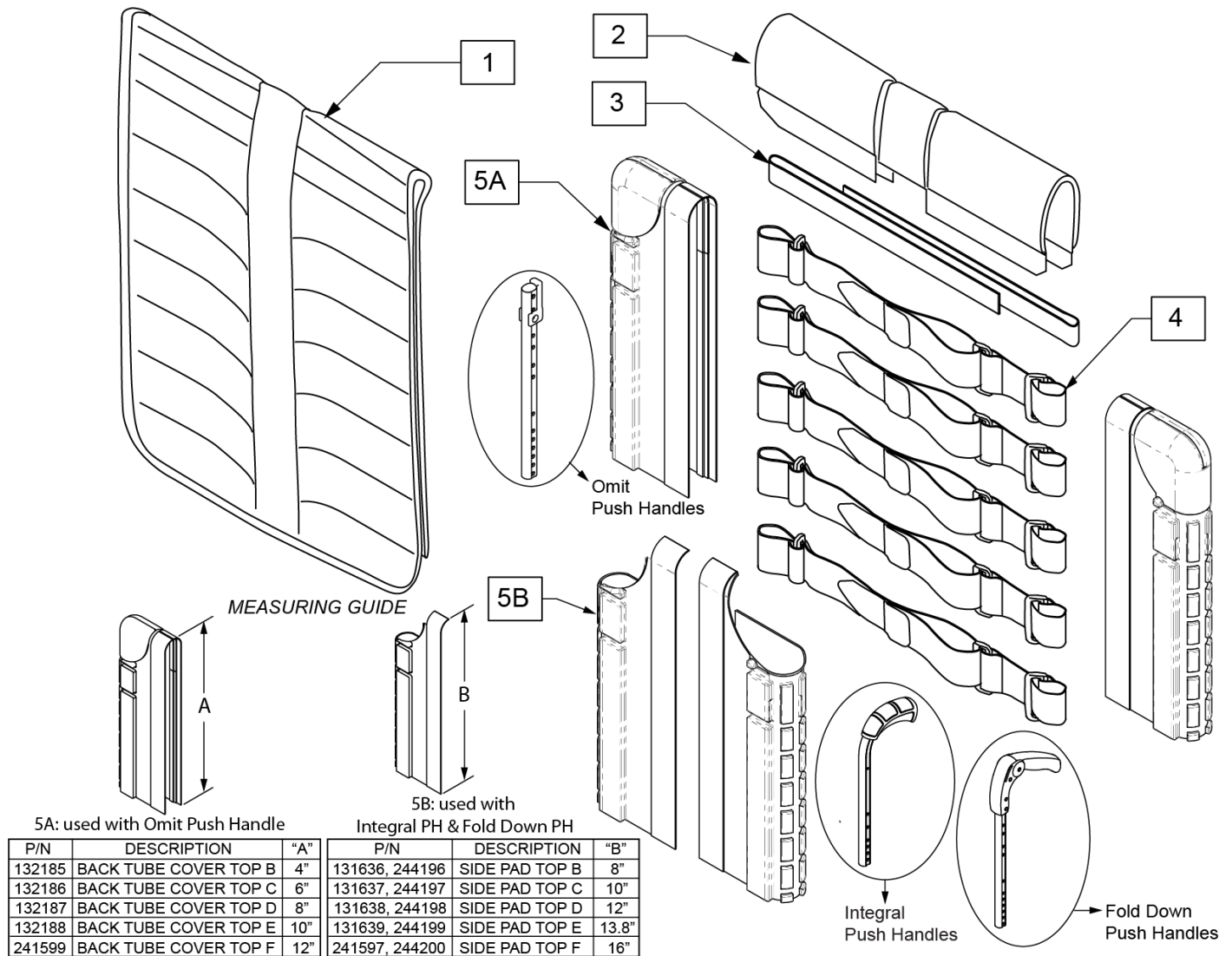
Pos.	Item Number	Description	Pos.	Item Number	Description
1	246370	BCK UPH EXO FDG32cmW LW BLK725	1	246400	BCK UPH EXO FDG46cmW MD BLK725
1	246371	BCK UPH EXO FDG32cmW MD BLK725	1	246401	BCK UPH EXO FDG46cmW TL BLK725
1	246373	BCK UPH EXO FDG32cmW TLBLK725	1	246402	BCK UPH EXO FDG48cmW LW BLK725
1	246374	BCK UPH EXO FD 34cmW LW BLK725	1	246403	BCK UPH EXO FDG48cmW MD BLK725
1	246375	BCK UPH EXO FDG34cmW MD BLK725	1	246405	BCK UPH EXO FDG48cmW TL BLK725
1	246377	BCK UPH EXO FDG34cmW TL BLK725	1	246406	BCK UPH EXO FDG50cmW LW BLK725
1	246378	BCK UPH EXO FDG36cmW LW BLK725	1	246407	BCK UPH EXO FDG50cmW MD BLK725
1	246379	BCK UPH EXO FDG36cmW MD BLK725	1	246409	BCK UPH EXO FDG50cmW TL BLK725
1	246381	BCK UPH EXO FDG36cmW TL BLK725	1	246410	BCK UPH EXO FDG32cmW LW ORG139
1	246382	BCK UPH EXO FDG38cmW LW BLK725	1	246411	BCK UPH EXO FDG32cmW MD ORG139
1	246383	BCK UPH EXO FDG38cmW MD BLK725	1	246413	BCK UPH EXO FDG32cmW TL ORG139
1	246385	BCK UPH EXO FDG38cmW TL BLK725	1	246414	BCK UPH EXO FDG34cmW LW ORG139
1	246386	BCK UPH EXO FDG40cmW LW BLK725	1	246415	BCK UPH EXO FDG34cmW MD ORG139
1	246387	BCK UPH EXO FDG40cmW MD BLK725	1	246417	BCK UPH EXO FDG34cmW TL ORG139
1	246389	BCK UPH EXO FDG40cmW TL BLK725	1	246418	BCK UPH EXO FDG36cmW LW ORG139
1	246390	BCK UPH EXO FDG42cmW LW BLK725	1	246419	BCK UPH EXO FDG36cmW MD ORG139
1	246391	BCK UPH EXO FDG42cmW MD BLK725	1	246421	BCK UPH EXO FDG36cmW TL ORG139
1	246393	BCK UPH EXO FDG42cmW TL BLK725	1	246422	BCK UPH EXO FDG38cmW LW ORG139
1	246394	BCK UPH EXO FDG44cmW LW BLK725	1	246423	BCK UPH EXO FDG38cmW MD ORG139
1	246396	BCK UPH EXO FDG44cmW MD BLK725	1	246425	BCK UPH EXO FDG38cmW TL ORG139
1	246397	BCK UPH EXO FDG44cmW TL BLK725	1	246426	BCK UPH EXO FDG40cmW LW ORG139
1	246398	BCK UPH EXO FDG46cmW LW BLK725	1	246427	BCK UPH EXO FDG40cmW MD ORG139

Pos.	Item Number	Description	Pos.	Item Number	Description
1	246429	BCK UPH EXO FDG40cmW TL ORG139	1	246504	BCK UPH EXO FDG36cmW TL BLU570
1	246430	BCK UPH EXO FDG42cmW LW ORG139	1	246505	BCK UPH EXO FDG38cmW LW BLU570
1	246431	BCK UPH EXO FDG42cmW MD ORG139	1	246506	BCK UPH EXO FDG38cmW MD BLU570
1	246433	BCK UPH EXO FDG42cmW TL ORG139	1	246508	BCK UPH EXO FDG38cmW TL BLU570
1	246434	BCK UPH EXO FDG44cmW LW ORG139	1	246509	BCK UPH EXO FDG40cmW LW BLU570
1	246435	BCK UPH EXO FDG44cmW MD ORG139	1	246510	BCK UPH EXO FDG40cmW MD BLU570
1	246437	BCK UPH EXO FDG44cmW TL ORG139	1	246512	BCK UPH EXO FDG40cmW TL BLU570
1	246438	BCK UPH EXO FDG46cmW LW ORG139	1	246513	BCK UPH EXO FDG42cmW LW BLU570
1	246439	BCK UPH EXO FDG46cmW MD ORG139	1	246514	BCK UPH EXO FD42cmW MD BLU570
1	246441	BCK UPH EXO FDG46cmW TL ORG139	1	246516	BCK UPH EXO FDG42cmW TL BLU570
1	246442	BCK UPH EXO FDG48cmW LW ORG139	1	246517	BCK UPH EXO FD44cm W LW BLU570
1	246443	BCK UPH EXO FDG48cmW MD ORG139	1	246518	BCK UPH EXO FDG44cmW MD BLU570
1	246445	BCK UPH EXO FDG48cmW TL ORG139	1	246520	BCK UPH EXO FDG44cmW TL BLU570
1	246446	BCK UPH EXO FDG50cmW LW ORG139	1	246521	BCK UPH EXO FDG46cmW LW BLU570
1	246447	BCK UPH EXO FDG50cmW MD ORG139	1	246522	BCK UPH EXO FDG46cmW MD BLU570
1	246449	BCK UPH EXO FDG50cmW TL ORG139	1	246524	BCK UPH EXO FDG46cmW TL BLU570
1	246451	BCK UPH EXO FDG32cmW LW SV702	1	246525	BCK UPH EXO FDG48cmW LW BLU570
1	246452	BCK UPH EXO FDG32cmW MD SV702	1	246526	BCK UPH EXO FDG48cmW MD BLU570
1	246454	BCK UPH EXO FDG32cmW TL SL702	1	246528	BCK UPH EXO FDG48cmW TL BLU570
1	246455	BCK UPH EXO FDG34cmW LW SL702	1	246529	BCK UPH EXO FDG50cmW LW BLU570
1	246456	BCK UPH EXO FD34cmW MD SLV702	1	246530	BCK UPH EXO FDG50cmW MD BLU570
1	246458	BCK UPH EXO FDG34cmW TL SLV702	1	246532	BCK UPH EXO FDG50cmW TL BLU570
1	246460	BCK UPH EXO FDG36cmW LW SL702	1	246533	BCK UPH EXO FDG32cmW LW RED320
1	246461	BCK UPH EXO FDG36cmW MD SV702	1	246534	BCK UPH EXO FDG32cmW MD RED320
1	246463	BCK UPH EXO FDG36cmW TL SV702	1	246536	BCK UPH EXO FDG32cmW TL RED320
1	246464	BCK UPH EXO FDG38cmW LW SV702	1	246537	BCK UPH EXO FDG34cmW LW RED320
1	246465	BCK UPH EXO FDG38cmW MD SL702	1	246538	BCK UPH EXO FDG34cmW MD RED320
1	246467	BCK UPH EXO FDG38cmW TL SV702	1	246540	BCK UPH EXO FDG34cmW TL RED320
1	246468	BCK UPH EXO FDG40cmW LW SV702	1	246541	BCK UPH EXO FDG36cmW LW RED320
1	246469	BCK UPH EXO FDG40cmW MD SV702	1	246542	BCK UPH EXO FDG36cmW MD RED320
1	246471	BCK UPH EXO FDG40cmW TL SV702	1	246544	BCK UPH EXO FDG36cmW TL RED320
1	246472	BCK UPH EXO FDG42cmW LW SV702	1	246545	BCK UPH EXO FDG38cmW LW RED320
1	246473	BCK UPH EXO FDG42cmW MD SV702	1	246546	BCK UPH EXO FDG38cmW MD RED320
1	246475	BCK UPH EXO FDG42cmW TL SV702	1	246548	BCK UPH EXO FDG38cmW TL RED320
1	246476	BCK UPH EXO FDG44cmW LW SV702	1	246549	BCK UPH EXO FDG40cmW LW RED320
1	246477	BCK UPH EXO FDG44cmW MD SV702	1	246550	BCK UPH EXO FDG40cmW MD RED320
1	246479	BCK UPH EXO FDG44cmW TL SV702	1	246552	BCK UPH EXO FDG40cmW TL RED320
1	246480	BCK UPH EXO FDG46cmW LW SV702	1	246553	BCK UPH EXO FDG42cmW LW RED320
1	246481	BCK UPH EXO FDG46cmW MD SV702	1	246554	BCK UPH EXO FD42cmW MD RED320
1	246483	BCK UPH EXO FDG46cmW TL SV702	1	246556	BCK UPH EXO FDG42cmW TL RED320
1	246484	BCK UPH EXO FDG48cmW LW SV702	1	246557	BCK UPH EXO FD44cm W LW RED320
1	246485	BCK UPH EXO FDG48cmW MD SV702	1	246558	BCK UPH EXO FDG44cmW MD RED320
1	246487	BCK UPH EXO FDG48cmW TL SV702	1	246560	BCK UPH EXO FDG44cmW TL RED320
1	246488	BCK UPH EXO FDG50cmW LW SV702	1	246561	BCK UPH EXO FDG46cmW LW RED320
1	246489	BCK UPH EXO FDG50cmW MD SV702	1	246562	BCK UPH EXO FDG46cmW MD RED320
1	246491	BCK UPH EXO FDG50cmW TL SV702	1	246564	BCK UPH EXO FDG46cmW TL RED320
1	246493	BCK UPH EXO FDG32cmW LW BLU570	1	246565	BCK UPH EXO FDG48cmW LW RED320
1	246494	BCK UPH EXO FDG32cmW MD BLU570	1	246566	BCK UPH EXO FDG48cmW MD RED320
1	246496	BCK UPH EXO FDG32cmW TL BLU570	1	246568	BCK UPH EXO FDG48cmW TL RED320
1	246497	BCK UPH EXO FDG34cmW LW BLU570	1	246569	BCK UPH EXO FDG50cmW LW RED320
1	246498	BCK UPH EXO FDG34cmW MD BLU570	1	246570	BCK UPH EXO FDG50cmW MD RED320
1	246500	BCK UPH EXO FDG34cmW TL BLU570	1	246572	BCK UPH EXO FDG50cmW TL RED320
1	246501	BCK UPH EXO FDG36cmW LW BLU570	2	281127	#12 X 3/4" PAN HD PHIL S/TAP
1	246502	BCK UPH EXO FDG36cmW MD BLU570			

Note: Each back height/type uses a different variation of back straps; replacement strap kits contain more straps than needed to support all back types/heights.

Note: Item 5A/5B is required when ordering a complete back upholstery; order 2 each of the universal item 5A, or order left and right parts for item 5B; order based on Backrest Type, Back Post/Push Handle Style & Back Height Setting on the chair.

Note: for a Complete Backrest Upholstery, order item 1-4 and item 5A/5B.



Pos.	Item Number	Description	Remarks
2	244213	BACKREST PAD SMALL 12"	Seat width 12"/32cm
2	244214	BACKREST PAD SMALL 13"	Seat width 13"/34cm
2	244215	BACKREST PAD SMALL 14"	Seat width 14"/36cm
2	244216	BACKREST PAD SMALL 15"	Seat width 15"/38cm,40cm

Pos.	Item Number	Description	Remarks
2	131876	BACKREST PAD SMALL 16"	Seat width 16"/42cm
2	244217	BACKREST PAD LARGE 17"	Seat width 17"/44cm
2	244218	BACKREST PAD LARGE 18"	Seat width 18"/46cm
2	244219	BACKREST PAD LARGE 19"	Seat width 19"/48cm,50cm
2	131877	BACKREST PAD LARGE 20"	Seat width 20"
3	052435-002	UPH,VNTD ADJ.,FPH STRP,14-15"W	Fold down push handle only
3	052435-003	UPH,VNTD ADJ.,FPH STRP,16-17"W	Fold down push handle only
3	052435-004	UPH,VNTD ADJ.,FPH STRP,18-20"W	Fold down push handle only
4	132297	BACK BELT ASSY 10"-16"	
4	132298	BACK BELT ASSY 17"-18"	
4	132299	BACK BELT ASSY 19"-20"	
5A	132185	BACK TUBE COVER TOP B	each; 25-27.5cm, Omit Push Handle
5A	132186	BACK TUBE COVER TOP C	each; 30-32.5cm, Omit Push Handle
5A	132187	BACK TUBE COVER TOP D	each; 35-37.5cm, Omit Push Handle
5A	132188	BACK TUBE COVER TOP E	each; 40-42.5cm, Omit Push Handle
5A	241599	BACK TUBE COVER TOP F	each; 45-47.5cm, Omit Push Handle
5B	131636	SIDE PAD TOP B RH	25-27.5cm, Integral Ergo & Folding PH
5B	244196	SIDE PAD TOP B LH	25-27.5cm, Integral Ergo & Folding PH
5B	131637	SIDE PAD TOP C RH	30-32.5cm, Integral Ergo & Folding PH
5B	244197	SIDE PAD TOP C LH	30-32.5cm, Integral Ergo & Folding PH
5B	131638	SIDE PAD TOP D RH	35-37.5cm, Integral Ergo & Folding PH
5B	244198	SIDE PAD TOP D LH	35-37.5cm, Integral Ergo & Folding PH
5B	131639	SIDE PAD TOP E RH	40-42.5cm, Integral Ergo & Folding PH
5B	244199	SIDE PAD TOP E LH	40-42.5cm, Integral Ergo & Folding PH
5B	241597	SIDE PAD TOP F RH	45-47.5cm, Integral Ergo & Fold Down PH
5B	244200	SIDE PAD TOP F LH	45-47.5cm, Integral Ergo & Fold Down PH
1-4	161665	BACK UPH TA EXO 12 WD XS	Seat width 12"/32cm
1-4	161666	BACK UPH TA EXO 12 WD SM	Seat width 12"/32cm; seat height: short 25-30cm
1-4	161667	BACK UPH TA EXO 12 WD MD	Seat width 12"/32cm; seat height: med 30-40cm
1-4	161668	BACK UPH TA EXO 12 WD TL	Seat width 12"/32cm; seat height: tall 40-47.5cm
1-4	161669	BACK UPH TA EXO 12 WD XT	Seat width 12"/32cm
1-4	161670	BACK UPH TA EXO 13 WD XS	Seat width 13"/34cm
1-4	161671	BACK UPH TA EXO 13 WD SM	Seat width 13"/34cm; seat height: short 25-30cm
1-4	161672	BACK UPH TA EXO 13 WD MD	Seat width 13"/34cm; seat height: med 30-40cm
1-4	161673	BACK UPH TA EXO 13 WD TL	Seat width 13"/34cm; seat height: tall 40-47.5cm
1-4	161674	BACK UPH TA EXO 13 WD XT	Seat width 13"/34cm
1-4	161675	BACK UPH TA EXO 14 WD XS	Seat width 14"/36cm
1-4	161676	BACK UPH TA EXO 14 WD SM	Seat width 14"/36cm; seat height: short 25-30cm
1-4	161677	BACK UPH TA EXO 14 WD MD	Seat width 14"/36cm; seat height: med 30-40cm
1-4	161441	BACK UPH TA EXO 14 WD TL	Seat width 14"/36cm; seat height: tall 40-47.5cm
1-4	161442	BACK UPH TA EXO 14 WD XT	Seat width 14"/36cm
1-4	161678	BACK UPH TA EXO 15 WD XS	Seat width 15"/38cm,40cm
1-4	161679	BACK UPH TA EXO 15 WD SM	Seat width 15"/38cm,40cm; seat height: short 25-30cm
1-4	161680	BACK UPH TA EXO 15 WD MD	Seat width 15"/38cm,40cm; seat height: med 30-40cm
1-4	161443	BACK UPH TA EXO 15 WD TL	Seat width 15"/38cm,40cm; seat height: tall 40-47.5cm
1-4	161444	BACK UPH TA EXO 15 WD XT	Seat width 15"/38cm,40cm
1-4	161681	BACK UPH TA EXO 16 WD XS	Seat width 16"/42cm
1-4	161682	BACK UPH TA EXO 16 WD SM	Seat width 16"/42cm; seat height: short 25-30cm
1-4	161683	BACK UPH TA EXO 16 WD MD	Seat width 16"/42cm; seat height: med 30-40cm
1-4	161445	BACK UPH TA EXO 16 WD TL	Seat width 16"/42cm; seat height: tall 40-47.5cm
1-4	161446	BACK UPH TA EXO 16 WD XT	Seat width 16"/42cm
1-4	161684	BACK UPH TA EXO 17 WD XS	Seat width 17"/44cm
1-4	161685	BACK UPH TA EXO 17 WD SM	Seat width 17"/44cm; seat height: short 25-30cm
1-4	161686	BACK UPH TA EXO 17 WD MD	Seat width 17"/44cm; seat height: med 30-40cm
1-4	161447	BACK UPH TA EXO 17 WD TL	Seat width 17"/44cm; seat height: tall 40-47.5cm
1-4	161448	BACK UPH TA EXO 17 WD XT	Seat width 17"/44cm
1-4	161687	BACK UPH TA EXO 18 WD XS	Seat width 18"/46cm

Pos.	Item Number	Description	Remarks
1-4	161688	BACK UPH TA EXO 18 WD SM	Seat width 18"/46cm; seat height: short 25-30cm
1-4	161689	BACK UPH TA EXO 18 WD MD	Seat width 18"/46cm; seat height: med 30-40cm
1-4	161449	BACK UPH TA EXO 18 WD TL	Seat width 18"/46cm; seat height: tall 40-47.5cm
1-4	161450	BACK UPH TA EXO 18 WD XT	Seat width 18"/46cm
1-4	161690	BACK UPH TA EXO 19 WD XS	Seat width 19"/48cm,50cm
1-4	161691	BACK UPH TA EXO 19 WD SM	Seat width 19"/48cm,50cm; seat height: short 25-30cm
1-4	161692	BACK UPH TA EXO 19 WD MD	Seat width 19"/48cm,50cm; seat height: med 30-40cm
1-4	161451	BACK UPH TA EXO 19 WD TL	Seat width 19"/48cm,50cm; seat height: tall 40-47.5cm
1-4	161452	BACK UPH TA EXO 19 WD XT	Seat width 19"/48cm,50cm
1-4	161693	BACK UPH TA EXO 20 WD XS	Seat width 20"
1-4	161694	BACK UPH TA EXO 20 WD SM	Seat width 20"
1-4	161695	BACK UPH TA EXO 20 WD MD	Seat width 20"
1-4	161453	BACK UPH TA EXO 20 WD TL	Seat width 20"
1-4	161454	BACK UPH TA EXO 20 WD XT	Seat width 20"
1-4	161706	BACK UPH TA EXO 12 WD XS ORNG	Seat width 12"/32cm
1-4	161707	BACK UPH TA EXO 12 WD SM ORNG	Seat width 12"/32cm; seat height: short 25-30cm
1-4	161708	BACK UPH TA EXO 12 WD MD ORNG	Seat width 12"/32cm; seat height: med 30-40cm
1-4	161709	BACK UPH TA EXO 12 WD TL ORNG	Seat width 12"/32cm; seat height: tall 40-47.5cm
1-4	161710	BACK UPH TA EXO 12 WD XT ORNG	Seat width 12"/32cm
1-4	161711	BACK UPH TA EXO 13 WD XS ORNG	Seat width 13"/34cm
1-4	161712	BACK UPH TA EXO 13 WD SM ORNG	Seat width 13"/34cm; seat height: short 25-30cm
1-4	161713	BACK UPH TA EXO 13 WD MD ORNG	Seat width 13"/34cm; seat height: med 30-40cm
1-4	161714	BACK UPH TA EXO 13 WD TL ORNG	Seat width 13"/34cm; seat height: tall 40-47.5cm
1-4	161715	BACK UPH TA EXO 13 WD XT ORNG	Seat width 13"/34cm
1-4	161716	BACK UPH TA EXO 14 WD XS ORNG	Seat width 14"/36cm
1-4	161717	BACK UPH TA EXO 14 WD SM ORNG	Seat width 14"/36cm; seat height: short 25-30cm
1-4	161718	BACK UPH TA EXO 14 WD MD ORNG	Seat width 14"/36cm; seat height: med 30-40cm
1-4	161719	BACK UPH TA EXO 14 WD TL ORNG	Seat width 14"/36cm; seat height: tall 40-47.5cm
1-4	161720	BACK UPH TA EXO 14 WD XT ORNG	Seat width 14"/36cm
1-4	161721	BACK UPH TA EXO 15 WD XS ORNG	Seat width 15"/38cm,40cm
1-4	161722	BACK UPH TA EXO 15 WD SM ORNG	Seat width 15"/38cm,40cm; seat height: short 25-30cm
1-4	161723	BACK UPH TA EXO 15 WD MD ORNG	Seat width 15"/38cm,40cm; seat height: med 30-40cm
1-4	161724	BACK UPH TA EXO 15 WD TL ORNG	Seat width 15"/38cm,40cm; seat height: tall 40-47.5cm
1-4	161725	BACK UPH TA EXO 15 WD XT ORNG	Seat width 15"/38cm,40cm
1-4	161726	BACK UPH TA EXO 16 WD XS ORNG	Seat width 16"/42cm
1-4	161727	BACK UPH TA EXO 16 WD SM ORNG	Seat width 16"/42cm; seat height: short 25-30cm
1-4	161728	BACK UPH TA EXO 16 WD MD ORNG	Seat width 16"/42cm; seat height: med 30-40cm
1-4	161729	BACK UPH TA EXO 16 WD TL ORNG	Seat width 16"/42cm; seat height: tall 40-47.5cm
1-4	161730	BACK UPH TA EXO 16 WD XT ORNG	Seat width 16"/42cm
1-4	161731	BACK UPH TA EXO 17 WD XS ORNG	Seat width 17"/44cm
1-4	161732	BACK UPH TA EXO 17 WD SM ORNG	Seat width 17"/44cm; seat height: short 25-30cm
1-4	161733	BACK UPH TA EXO 17 WD MD ORNG	Seat width 17"/44cm; seat height: med 30-40cm
1-4	161734	BACK UPH TA EXO 17 WD TL ORNG	Seat width 17"/44cm; seat height: tall 40-47.5cm
1-4	161735	BACK UPH TA EXO 17 WD XT ORNG	Seat width 17"/44cm
1-4	161736	BACK UPH TA EXO 18 WD XS ORNG	Seat width 18"/46cm
1-4	161737	BACK UPH TA EXO 18 WD SM ORNG	Seat width 18"/46cm; seat height: short 25-30cm
1-4	161738	BACK UPH TA EXO 18 WD MD ORNG	Seat width 18"/46cm; seat height: med 30-40cm
1-4	161739	BACK UPH TA EXO 18 WD TL ORNG	Seat width 18"/46cm; seat height: tall 40-47.5cm
1-4	161740	BACK UPH TA EXO 18 WD XT ORNG	Seat width 18"/46cm
1-4	161741	BACK UPH TA EXO 19 WD XS ORNG	Seat width 19"/48cm,50cm
1-4	161742	BACK UPH TA EXO 19 WD SM ORNG	Seat width 19"/48cm,50cm; seat height: short 25-30cm
1-4	161743	BACK UPH TA EXO 19 WD MD ORNG	Seat width 19"/48cm,50cm; seat height: med 30-40cm
1-4	161744	BACK UPH TA EXO 19 WD TL ORNG	Seat width 19"/48cm,50cm; seat height: tall 40-47.5cm
1-4	161745	BACK UPH TA EXO 19 WD XT ORNG	Seat width 19"/48cm,50cm
1-4	161746	BACK UPH TA EXO 20 WD XS ORNG	Seat width 20"
1-4	161747	BACK UPH TA EXO 20 WD SM ORNG	Seat width 20"; seat height: short 25-30cm
1-4	161748	BACK UPH TA EXO 20 WD MD ORNG	Seat width 20"; seat height: med 30-40cm

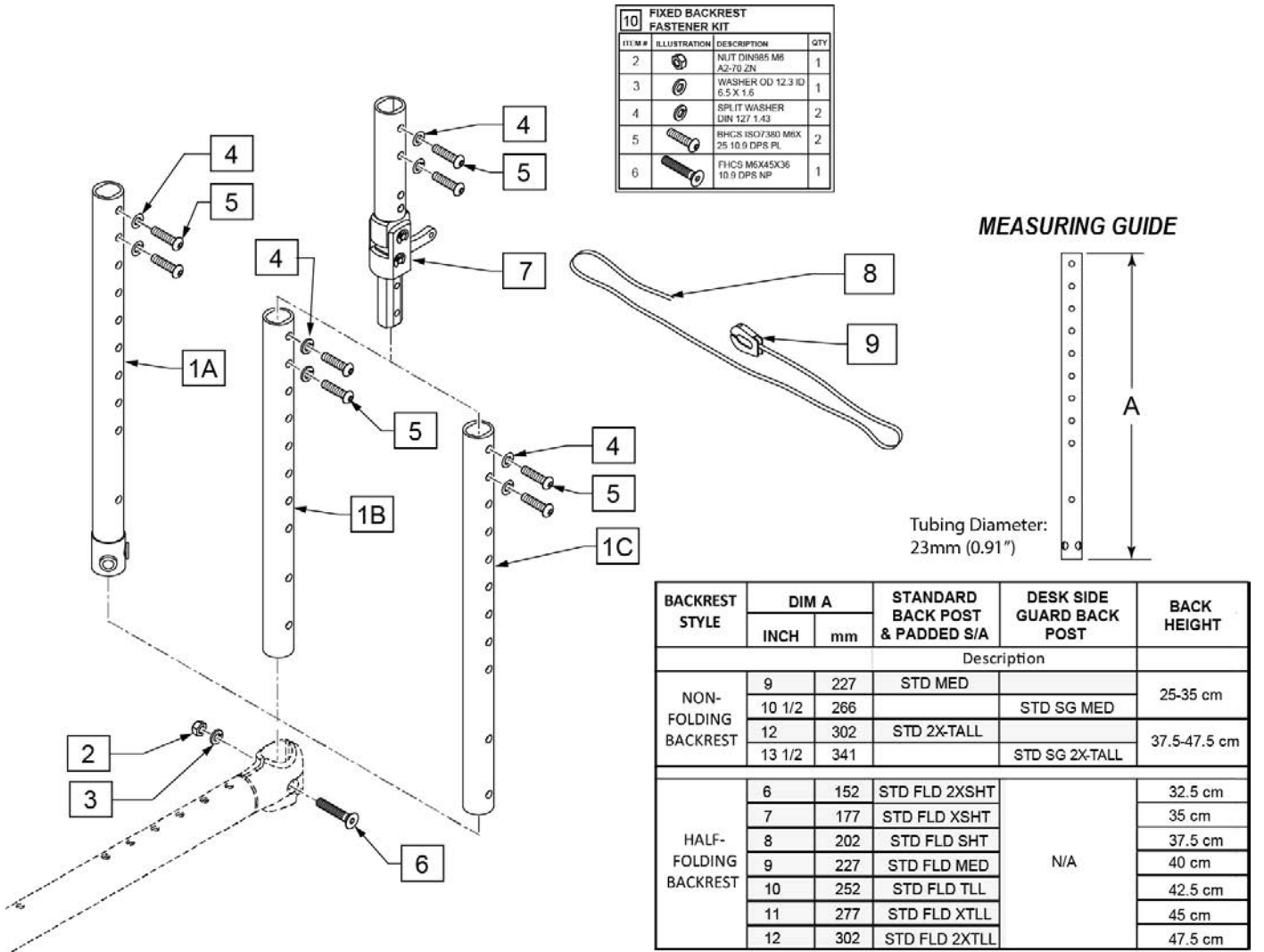
Pos.	Item Number	Description	Remarks
1-4	161749	BACK UPH TA EXO 20 WD TL ORNG	Seat width 20"; seat height: tall 40-47.5cm
1-4	161750	BACK UPH TA EXO 20 WD XT ORNG	Seat width 20"
1-4	161761	BACK UPH TA EXO 12 WD XS SLVR	Seat width 12"/32cm
1-4	161762	BACK UPH TA EXO 12 WD SM SLVR	Seat width 12"/32cm; seat height: short 25-30cm
1-4	161763	BACK UPH TA EXO 12 WD MD SLVR	Seat width 12"/32cm; seat height: med 30-40cm
1-4	161764	BACK UPH TA EXO 12 WD TL SLVR	Seat width 12"/32cm; seat height: tall 40-47.5cm
1-4	161765	BACK UPH TA EXO 12 WD XT SLVR	Seat width 12"/32cm
1-4	161766	BACK UPH TA EXO 13 WD XS SLVR	Seat width 13"/34cm
1-4	161767	BACK UPH TA EXO 13 WD SM SLVR	Seat width 13"/34cm; seat height: short 25-30cm
1-4	161768	BACK UPH TA EXO 13 WD MD SLVR	Seat width 12"/32cm; seat height: med 30-40cm
1-4	161769	BACK UPH TA EXO 13 WD TL SLVR	Seat width 13"/34cm; seat height: tall 40-47.5cm
1-4	161770	BACK UPH TA EXO 13 WD XT SLVR	Seat width 13"/34cm
1-4	161771	BACK UPH TA EXO 14 WD XS ORNG	Seat width 14"/36cm
1-4	161772	BACK UPH TA EXO 14 WD SM ORNG	Seat width 14"/36cm; seat height: short 25-30cm
1-4	161773	BACK UPH TA EXO 14 WD MD ORNG	Seat width 14"/36cm; seat height: med 30-40cm
1-4	161774	BACK UPH TA EXO 14 WD TL ORNG	Seat width 14"/36cm; seat height: tall 40-47.5cm
1-4	161775	BACK UPH TA EXO 14 WD XT ORNG	Seat width 14"/36cm
1-4	161776	BACK UPH TA EXO 15 WD XS SLVR	Seat width 15"/38cm,40cm
1-4	161777	BACK UPH TA EXO 15 WD SM SLVR	Seat width 15"/38cm,40cm; seat height: short 25-30cm
1-4	161778	BACK UPH TA EXO 15 WD MD SLVR	Seat width 15"/38cm,40cm; seat height: med 30-40cm
1-4	161779	BACK UPH TA EXO 15 WD TL SLVR	Seat width 15"/38cm,40cm; seat height: tall 40-47.5cm
1-4	161780	BACK UPH TA EXO 15 WD XT SLVR	Seat width 15"/38cm,40cm
1-4	161781	BACK UPH TA EXO 16 WD XS SLVR	Seat width 16"/42cm
1-4	161782	BACK UPH TA EXO 16 WD SM SLVR	Seat width 16"/42cm; seat height: short 25-30cm
1-4	161783	BACK UPH TA EXO 16 WD MD SLVR	Seat width 16"/42cm; seat height: med 30-40cm
1-4	161784	BACK UPH TA EXO 16 WD TL SLVR	Seat width 16"/42cm; seat height: tall 40-47.5cm
1-4	161785	BACK UPH TA EXO 16 WD XT SLVR	Seat width 16"/42cm
1-4	161786	BACK UPH TA EXO 17 WD XS SLVR	Seat width 17"/44cm
1-4	161787	BACK UPH TA EXO 17 WD SM SLVR	Seat width 17"/44cm; seat height: short 25-30cm
1-4	161788	BACK UPH TA EXO 17 WD MD SLVR	Seat width 17"/44cm; seat height: med 30-40cm
1-4	161789	BACK UPH TA EXO 17 WD TL SLVR	Seat width 17"/44cm; seat height: tall 40-47.5cm
1-4	161790	BACK UPH TA EXO 17 WD XT SLVR	Seat width 17"/44cm
1-4	161791	BACK UPH TA EXO 18 WD XS SLVR	Seat width 18"/46cm
1-4	161792	BACK UPH TA EXO 18 WD SM SLVR	Seat width 18"/46cm; seat height: short 25-30cm
1-4	161793	BACK UPH TA EXO 18 WD MD SLVR	Seat width 18"/46cm; seat height: med 30-40cm
1-4	161794	BACK UPH TA EXO 18 WD TL SLVR	Seat width 18"/46cm; seat height: tall 40-47.5cm
1-4	161795	BACK UPH TA EXO 18 WD XT SLVR	Seat width 18"/46cm
1-4	161796	BACK UPH TA EXO 19 WD XS SLVR	Seat width 19"/48cm,50cm
1-4	161797	BACK UPH TA EXO 19 WD SM SLVR	Seat width 19"/48cm,50cm; seat height: short 25-30cm
1-4	161798	BACK UPH TA EXO 19 WD MD SLVR	Seat width 19"/48cm,50cm; seat height: med 30-40cm
1-4	161799	BACK UPH TA EXO 19 WD TL SLVR	Seat width 19"/48cm,50cm; seat height: tall 40-47.5cm
1-4	161800	BACK UPH TA EXO 19 WD XT SLVR	Seat width 19"/48cm,50cm
1-4	161801	BACK UPH TA EXO 20 WD XS SLVR	Seat width 20"
1-4	161802	BACK UPH TA EXO 20 WD SM SLVR	Seat width 20"; seat height: short 25-30cm
1-4	161803	BACK UPH TA EXO 20 WD MD SLVR	Seat width 20"; seat height: med 30-40cm
1-4	161859	BACK UPH TA EXO 20 WD TL SLVR	Seat width 20"; seat height: tall 40-47.5cm
1-4	161805	BACK UPH TA EXO 20 WD XT SLVR	Seat width 20"
1-4	161816	BACK UPH TA EXO 12 WD XS BLUE	Seat width 12"/32cm
1-4	161817	BACK UPH TA EXO 12 WD SM BLUE	Seat width 12"/32cm; seat height: short 25-30cm
1-4	161818	BACK UPH TA EXO 12 WD MD BLUE	Seat width 12"/32cm; seat height: med 30-40cm
1-4	161819	BACK UPH TA EXO 12 WD TL BLUE	Seat width 12"/32cm; seat height: tall 40-47.5cm
1-4	161820	BACK UPH TA EXO 12 WD XT BLUE	Seat width 12"/32cm
1-4	161821	BACK UPH TA EXO 13 WD XS BLUE	Seat width 13"/34cm
1-4	161822	BACK UPH TA EXO 13 WD SM BLUE	Seat width 13"/34cm; seat height: short 25-30cm
1-4	161823	BACK UPH TA EXO 13 WD MD BLUE	Seat width 12"/32cm; seat height: med 30-40cm
1-4	161824	BACK UPH TA EXO 13 WD TL BLUE	Seat width 13"/34cm; seat height: tall 40-47.5cm
1-4	161825	BACK UPH TA EXO 13 WD XT BLUE	Seat width 13"/34cm

Pos.	Item Number	Description	Remarks
1-4	161826	BACK UPH TA EXO 14 WD XS BLUE	Seat width 14"/36cm
1-4	161827	BACK UPH TA EXO 14 WD SM BLUE	Seat width 14"/36cm; seat height: short 25-30cm
1-4	161828	BACK UPH TA EXO 14 WD MD BLUE	Seat width 14"/36cm; seat height: med 30-40cm
1-4	161829	BACK UPH TA EXO 14 WD TL BLUE	Seat width 14"/36cm; seat height: tall 40-47.5cm
1-4	161830	BACK UPH TA EXO 14 WD XT BLUE	Seat width 14"/36cm
1-4	161831	BACK UPH TA EXO 15 WD XS BLUE	Seat width 15"/38cm,40cm
1-4	161832	BACK UPH TA EXO 15 WD SM BLUE	Seat width 15"/38cm,40cm; seat height: short 25-30cm
1-4	161833	BACK UPH TA EXO 15 WD MD BLUE	Seat width 15"/38cm,40cm; seat height: med 30-40cm
1-4	161834	BACK UPH TA EXO 15 WD TL BLUE	Seat width 15"/38cm,40cm; seat height: tall 40-47.5cm
1-4	161835	BACK UPH TA EXO 15 WD XT BLUE	Seat width 15"/38cm,40cm
1-4	161836	BACK UPH TA EXO 16 WD XS BLUE	Seat width 16"/42cm
1-4	161837	BACK UPH TA EXO 16 WD SM BLUE	Seat width 16"/42cm; seat height: short 25-30cm
1-4	161838	BACK UPH TA EXO 16 WD MD BLUE	Seat width 16"/42cm; seat height: med 30-40cm
1-4	161839	BACK UPH TA EXO 16 WD TL BLUE	Seat width 16"/42cm; seat height: tall 40-47.5cm
1-4	161840	BACK UPH TA EXO 16 WD XT BLUE	Seat width 16"/42cm
1-4	161841	BACK UPH TA EXO 17 WD XS BLUE	Seat width 17"/44cm
1-4	161842	BACK UPH TA EXO 17 WD SM BLUE	Seat width 17"/44cm; seat height: short 25-30cm
1-4	161843	BACK UPH TA EXO 17 WD MD BLUE	Seat width 17"/44cm; seat height: med 30-40cm
1-4	161844	BACK UPH TA EXO 17 WD TL BLUE	Seat width 17"/44cm; seat height: tall 40-47.5cm
1-4	161845	BACK UPH TA EXO 17 WD XT BLUE	Seat width 17"/44cm
1-4	161846	BACK UPH TA EXO 18 WD XS BLUE	Seat width 18"/46cm
1-4	161847	BACK UPH TA EXO 18 WD SM BLUE	Seat width 18"/46cm; seat height: short 25-30cm
1-4	161848	BACK UPH TA EXO 18 WD MD BLUE	Seat width 18"/46cm; seat height: med 30-40cm
1-4	161849	BACK UPH TA EXO 18 WD TL BLUE	Seat width 18"/46cm; seat height: tall 40-47.5cm
1-4	161850	BACK UPH TA EXO 18 WD XT BLUE	Seat width 18"/46cm
1-4	161851	BACK UPH TA EXO 19 WD XS BLUE	Seat width 19"/48cm,50cm
1-4	161852	BACK UPH TA EXO 19 WD SM BLUE	Seat width 19"/48cm,50cm; seat height: short 25-30cm
1-4	161853	BACK UPH TA EXO 19 WD MD BLUE	Seat width 19"/48cm,50cm; seat height: med 30-40cm
1-4	161854	BACK UPH TA EXO 19 WD TL BLUE	Seat width 19"/48cm,50cm; seat height: tall 40-47.5cm
1-4	161855	BACK UPH TA EXO 19 WD XT BLUE	Seat width 19"/48cm,50cm
1-4	161856	BACK UPH TA EXO 20 WD XS BLUE	Seat width 20"
1-4	161857	BACK UPH TA EXO 20 WD SM BLUE	Seat width 20"; seat height: short 25-30cm
1-4	161858	BACK UPH TA EXO 20 WD MD BLUE	Seat width 20"; seat height: med 30-40cm
1-4	161804	BACK UPH TA EXO 20 WD TL BLUE	Seat width 20"; seat height: tall 40-47.5cm
1-4	161860	BACK UPH TA EXO 20 WD XT BLUE	Seat width 20"
1-4	161871	BACK UPH TA EXO 12 WD XS RED	Seat width 12"/32cm
1-4	161872	BACK UPH TA EXO 12 WD SM RED	Seat width 12"/32cm; seat height: short 25-30cm
1-4	161873	BACK UPH TA EXO 12 WD MD RED	Seat width 12"/32cm; seat height: med 30-40cm
1-4	161874	BACK UPH TA EXO 12 WD TL RED	Seat width 12"/32cm; seat height: tall 40-47.5cm
1-4	161875	BACK UPH TA EXO 12 WD XT RED	Seat width 12"/32cm
1-4	161876	BACK UPH TA EXO 13 WD XS RED	Seat width 13"/34cm
1-4	161877	BACK UPH TA EXO 13 WD SM RED	Seat width 13"/34cm; seat height: short 25-30cm
1-4	161878	BACK UPH TA EXO 13 WD MD RED	Seat width 12"/32cm; seat height: med 30-40cm
1-4	161879	BACK UPH TA EXO 13 WD TL RED	Seat width 13"/34cm; seat height: tall 40-47.5cm
1-4	161880	BACK UPH TA EXO 13 WD XT RED	Seat width 13"/34cm
1-4	161881	BACK UPH TA EXO 14 WD XS RED	Seat width 14"/36cm
1-4	161882	BACK UPH TA EXO 14 WD SM RED	Seat width 14"/36cm; seat height: short 25-30cm
1-4	161883	BACK UPH TA EXO 14 WD MD RED	Seat width 14"/36cm; seat height: med 30-40cm
1-4	161884	BACK UPH TA EXO 14 WD TL RED	Seat width 14"/36cm; seat height: tall 40-47.5cm
1-4	161885	BACK UPH TA EXO 14 WD XT RED	Seat width 14"/36cm
1-4	161886	BACK UPH TA EXO 15 WD XS RED	Seat width 15"/38cm,40cm
1-4	161887	BACK UPH TA EXO 15 WD SM RED	Seat width 15"/38cm,40cm; seat height: short 25-30cm
1-4	161888	BACK UPH TA EXO 15 WD MD RED	Seat width 15"/38cm,40cm; seat height: med 30-40cm
1-4	161889	BACK UPH TA EXO 15 WD TL RED	Seat width 15"/38cm,40cm; seat height: tall 40-47.5cm
1-4	161890	BACK UPH TA EXO 15 WD XT RED	Seat width 15"/38cm,40cm
1-4	161891	BACK UPH TA EXO 16 WD XS RED	Seat width 16"/42cm
1-4	161892	BACK UPH TA EXO 16 WD SM RED	Seat width 16"/42cm; seat height: short 25-30cm

Pos.	Item Number	Description	Remarks
1-4	161893	BACK UPH TA EXO 16 WD MD RED	Seat width 16"/42cm; seat height: med 30-40cm
1-4	161894	BACK UPH TA EXO 16 WD TL RED	Seat width 16"/42cm; seat height: tall 40-47.5cm
1-4	161895	BACK UPH TA EXO 16 WD XT RED	Seat width 16"/42cm
1-4	161896	BACK UPH TA EXO 17 WD XS RED	Seat width 17"/44cm
1-4	161897	BACK UPH TA EXO 17 WD SM RED	Seat width 17"/44cm; seat height: short 25-30cm
1-4	161898	BACK UPH TA EXO 17 WD MD RED	Seat width 17"/44cm; seat height: med 30-40cm
1-4	161899	BACK UPH TA EXO 17 WD TL RED	Seat width 17"/44cm; seat height: tall 40-47.5cm
1-4	161900	BACK UPH TA EXO 17 WD XT RED	Seat width 17"/44cm
1-4	161901	BACK UPH TA EXO 18 WD XS RED	Seat width 18"/46cm
1-4	161902	BACK UPH TA EXO 18 WD SM RED	Seat width 18"/46cm; seat height: short 25-30cm
1-4	161903	BACK UPH TA EXO 18 WD MD RED	Seat width 18"/46cm; seat height: med 30-40cm
1-4	161904	BACK UPH TA EXO 18 WD TL RED	Seat width 18"/46cm; seat height: tall 40-47.5cm
1-4	161905	BACK UPH TA EXO 18 WD XT RED	Seat width 18"/46cm
1-4	161906	BACK UPH TA EXO 19 WD XS RED	Seat width 19"/48cm,50cm
1-4	161907	BACK UPH TA EXO 19 WD SM RED	Seat width 19"/48cm,50cm; seat height: short 25-30cm
1-4	161908	BACK UPH TA EXO 19 WD MD RED	Seat width 19"/48cm,50cm; seat height: med 30-40cm
1-4	161909	BACK UPH TA EXO 19 WD TL RED	Seat width 19"/48cm,50cm; seat height: tall 40-47.5cm
1-4	161910	BACK UPH TA EXO 19 WD XT RED	Seat width 19"/48cm,50cm
1-4	161911	BACK UPH TA EXO 20 WD XS RED	Seat width 20"
1-4	161912	BACK UPH TA EXO 20 WD SM RED	Seat width 20"; seat height: short 25-30cm
1-4	161913	BACK UPH TA EXO 20 WD MD RED	Seat width 20"; seat height: med 30-40cm
1-4	161914	BACK UPH TA EXO 20 WD TL RED	Seat width 20"; seat height: tall 40-47.5cm
1-4	161915	BACK UPH TA EXO 20 WD XT RED	Seat width 20"

STANDARD BACKREST

[02/25/2020]



BACKREST STYLE	DIM A		STANDARD BACK POST & PADDED S/A	DESK SIDE GUARD BACK POST	BACK HEIGHT
	INCH	mm			
Description					
NON-FOLDING BACKREST	9	227	STD MED		25-35 cm
	10 1/2	266		STD SG MED	
	12	302	STD 2X-TALL		37.5-47.5 cm
	13 1/2	341		STD SG 2X-TALL	
HALF-FOLDING BACKREST	6	152	STD FLD 2XSHT	N/A	32.5 cm
	7	177	STD FLD XSHT		35 cm
	8	202	STD FLD SHT		37.5 cm
	9	227	STD FLD MED		40 cm
	10	252	STD FLD TLL		42.5 cm
	11	277	STD FLD XTLL		45 cm
	12	302	STD FLD 2XTLL	47.5 cm	

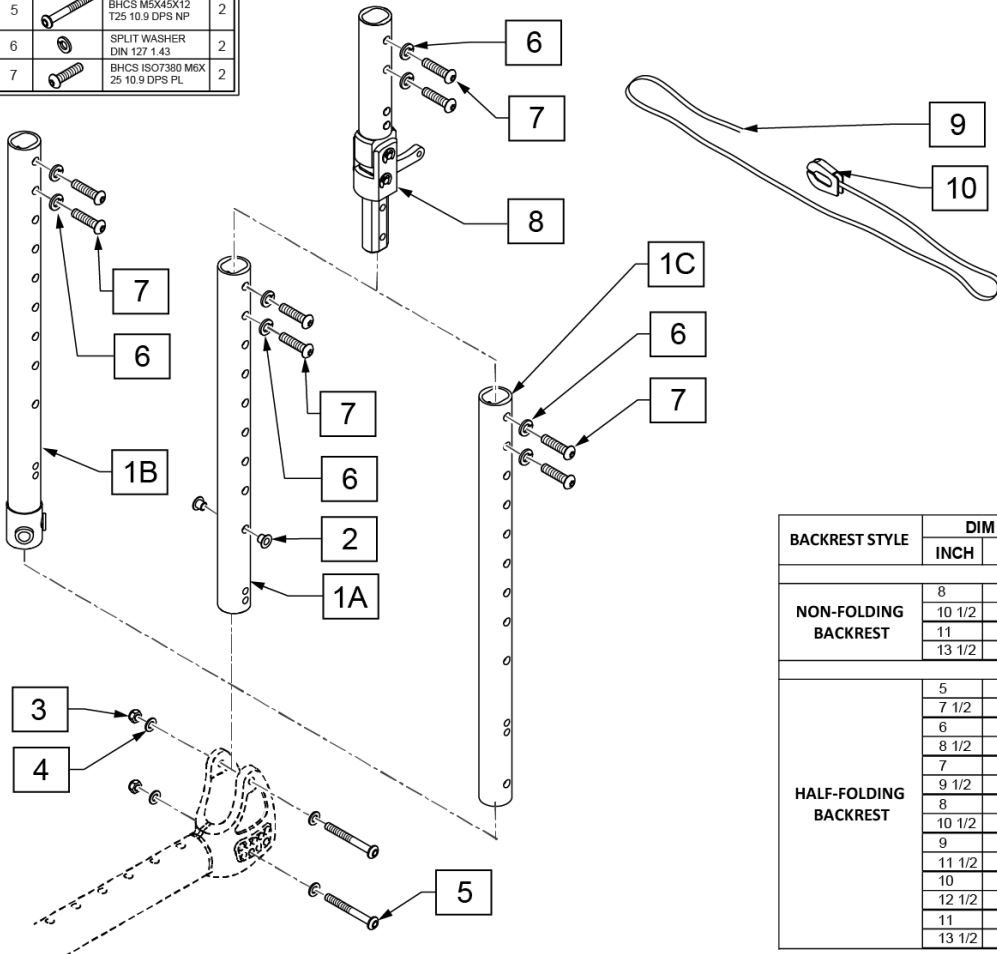
Pos.	Item Number	Description	Remarks	Pos.	Item Number	Description	Remarks
4,5,7	76803016	BACK FOLDING MECHANISM	One side			<<side guard non folding>>	
8	750060	BACK RELEASE STRAP 12"-20" RIGID		1B-6	163115s	BACKTUBE 90D STD SG MED KIT	Right
9	560221	BACK RELEASE STRAP LOCK RIGID		1B-6	163116s	BKTUBE 90D STD SG 2X-TALL KIT	Right
10	162875	FIXED BACKREST FASTENER KIT	One side			<<padded SA armrest non folding>>	
		<<non folding>>		1C-6	163117s	BACKTUBE 90D SA MED KIT	
1A-6	163106s	BACKTUBE 90D STD MED KIT		1C-6	163118s	BACKTUBE 90D SA 2XTLL KIT	
1A-6	163107s	BACKTUBE 90D STD 2X-TALL KIT				<<padded SA armrest folding>>	
		<<folding>>		1C-7	163119s	BACKTUBE 90D SA FLD 2XSHT KIT	
1A-7	163108s	BACKTUBE 90D STD FLD 2XSHT KIT		1C-7	163120s	BACKTUBE 90D SA FLD XSHT KIT	
1A-7	163109s	BACKTUBE 90D STD FLD XSHT KIT		1C-7	163121s	BACKTUBE 90D SA FLD SHT KIT	
1A-7	163110s	BACKTUBE 90D STD FLD SHT KIT		1C-7	163122s	BACKTUBE 90D SA FLD MED KIT	
1A-7	163111s	BACKTUBE 90D STD FLD MED KIT		1C-7	163123s	BACKTUBE 90D SA FLD TLL KIT	
1A-7	163112s	BACKTUBE 90D STD FLD TLL KIT		1C-7	163124s	BACKTUBE 90D SA FLD XTLL KIT	
1A-7	163113s	BACKTUBE 90D STD FLD XTLL KIT		1C-7	163125s	BACKTUBE 90D SA FLD 2XTLL KIT	
1A-7	163114s	BACKTUBE 90D STD FLD 2XTLL KIT					

[02/25/2020]

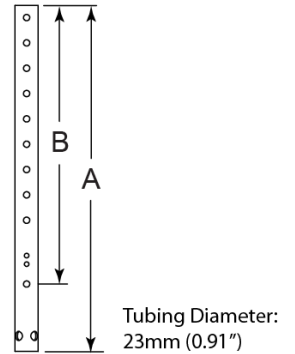
Note: see ordering guide in informations panel.

Note: see ordering guide in informations panel.

11 AA BACKREST FASTENER KIT			
ITEM #	ILLUSTRATION	DESCRIPTION	QTY
2		IGUS GFM 0506-06	2
3		M5 A2-70 ZNS PL	2
4		5.3 A2 ZNS	4
5		BHCS M5X45X12 T25 10.9 DPS NP	2
6		SPLIT WASHER DIN 127 1.43	2
7		BHCS ISO7380 M6X 25 10.9 DPS PL	2



MEASURING GUIDE



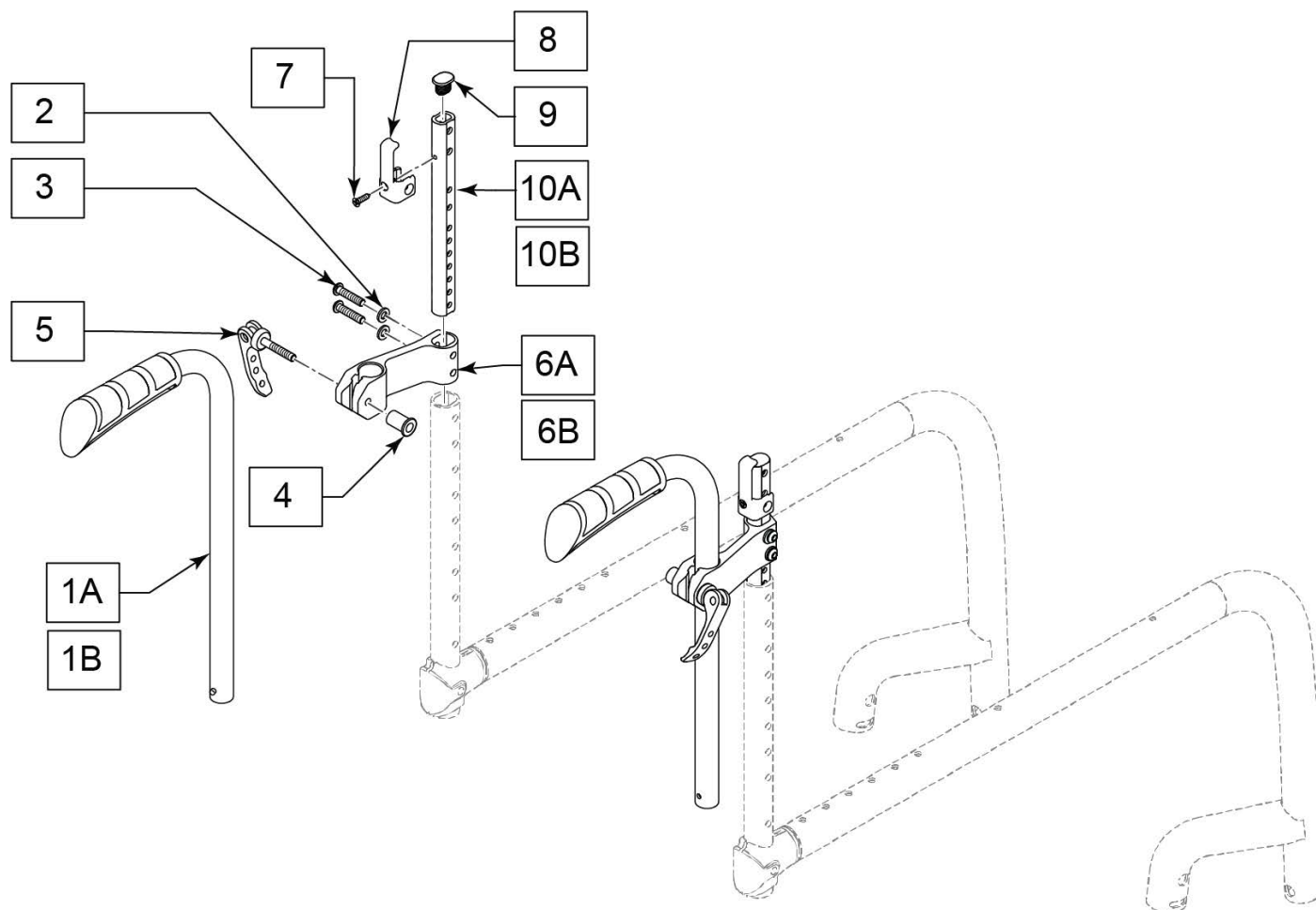
BACKREST STYLE	DIM A		STD BACK POST	DESK SIDE GUARD BACK POST	BACK HEIGHT
	INCH	mm			
NON-FOLDING BACKREST	8	206	Medium		25-35 cm
	10 1/2	266		Medium	
	11	281	2X-Tall		37.5-47.5 cm
	13 1/2	341		2X-Tall	
HALF-FOLDING BACKREST	5	131	2X-Short		32.5 cm
	7 1/2	191		2X-Short	
	6	156	X-Short		35 cm
	8 1/2	216		X-Short	
	7	181	Short		37.5 cm
	9 1/2	241		Short	
	8	206	Medium		40 cm
	10 1/2	266		Medium	
	9	231	Tall		42.5 cm
	11 1/2	291		Tall	
	10	256	X-Tall		45 cm
	12 1/2	316		X-Tall	
	11	281	2X-Tall		47.5 cm
13 1/2	341		2X-Tall		

Pos.	Item Number	Description	Remarks
8	76803016	BACK FOLDING MECHANISM	One side
9	750060	BACK RELEASE STRAP 12"-20" RIGID	
10	560221	BACK RELEASE STRAP LOCK RIGID	
11	162650	AA BACKREST FASTENER KIT	One side
		<<non-folding>>	
1A-7	163126s	BACKTUBE AA STD MED KIT	
1A-7	163127s	BACKTUBE AA STD 2X-TALL KIT	
		<<folding>>	
1A-7,8	163128s	BACKTUBE AA STD FLD 2XSHT KIT	
1A-7,8	163129s	BACKTUBE AA STD X-SHORT KIT	
1A-7,8	163130s	BACKTUBE AA STD FLD SHT KIT	
1A-7,8	163131s	BACKTUBE AA STD FLD MED KIT	
1A-7,8	163132s	BACKTUBE AA STD FLD TLL KIT	
1A-7,8	163133s	BACKTUBE AA STD FLD XTLL KIT	

Pos.	Item Number	Description	Remarks
1A-7,8	163134s	BACKTUBE AA STD FLD 2XTLL KIT	
		<<side guard non folding>>	
1B-7	163135s	BACKTUBE AA SG MED KIT	
1B-7	163136s	BACKTUBE AA SG 2X-TALL KIT	
		<<padded SA armrest non folding>>	
1C-7	163137s	BACKTUBE AA SA MED KIT	
1C-7	163138s	BACKTUBE AA SA 2X-TALL KIT	
		<<padded SA armrest folding>>	
1C-8	163139s	BACKTUBE AA SA FLD 2XSHT KIT	
1C-8	163140s	BACKTUBE AA SA X-SHORT KIT	
1C-8	163141s	BACKTUBE AA SA FLD SHT KIT	
1C-8	163142s	BACKTUBE AA SA FLD MED KIT	
1C-8	163143s	BACKTUBE AA SA FLD TLL KIT	
1C-8	163144s	BACKTUBE AA SA FLD XTLL KIT	
1C-8	163145s	BACKTUBE AA SA FLD 2XTLL KIT	

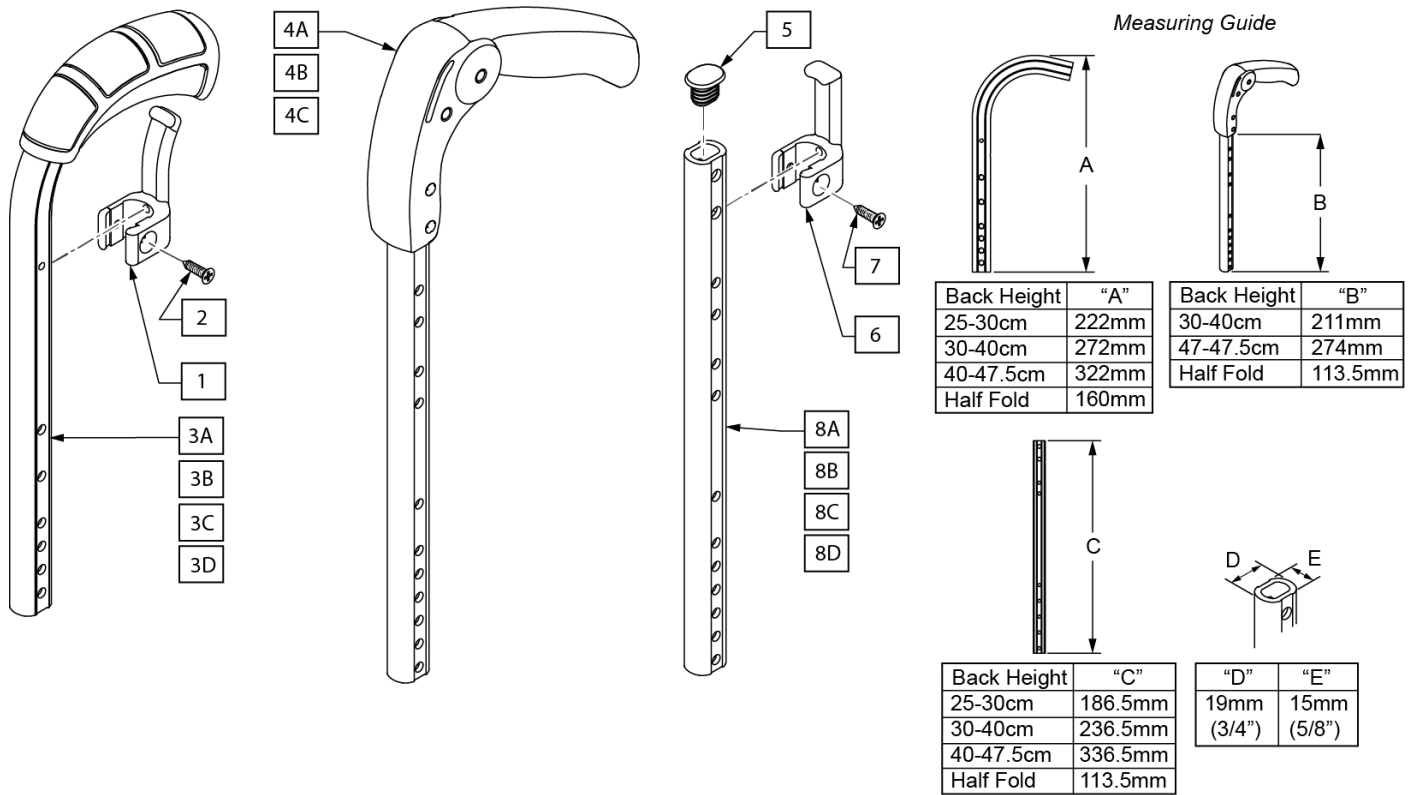
Note: Height Adjustable Push Handle is also known as Telescoping Push Handle.

Note: not available on Half Fold Down Backrest option.



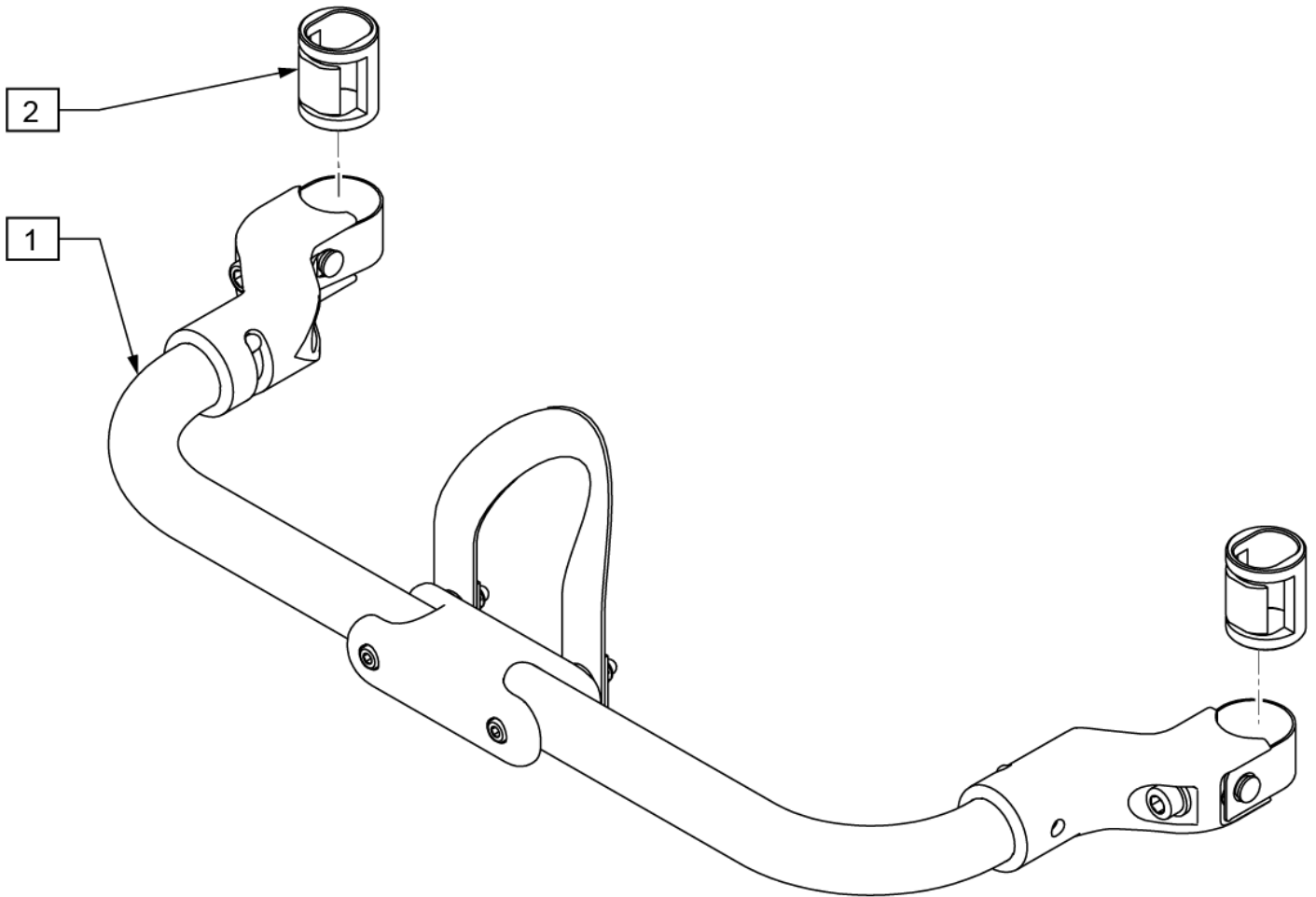
Pos.	Item Number	Description	Remarks
1A	000841265	HT-ADJ PUSH HANDLE, BH 30-37.5cm, BLK ANO	each; 30-37.5cm
1B	000841266	HT-ADJ PUSH HANDLE, BH 40-47.5cm, BLK ANO	each; 40-47.5cm
2-5,6A	76803024-001	HEIGHT ADJ PH MOUNT, STD	Std Back
2-5,6B	76803024-002	PUSH HANDLE HOLDER WITH QUICK TESNIONER CPL	Jay Back
7-9,10A	162876	BACKREST TUBE OMIT PH 25-30	30-37.5cm
7-9,10B	162877	BACKREST TUBE OMIT PH 30-40	40-50cm
7-9	76803025-001	PUSH HANDLE STRAP HOLDER	2 sides
		<< RETRO KITS >>	
1A,2-5,6A,7-9,10A	162878	HT ADG PH 30-37 RETRO	
1B,2-5,6A,7-9,10B	162879	HT ADG PH 40-50 RETRO	

PUSH HANDLES



Pos.	Item Number	Description	Remarks
1,2	162882	BACK BAND CLIP CURVED PAIR	
1,2,3A	066867-001-ET	BACKREST TUBE, STD PUSH HANDLE, BH: 25-30cm	Pair
1,2,3B	066867-002-ET	BACKREST TUBE, STD PUSH HANDLE, BH: 30-40cm	Pair
1,2,3C	066867-003-ET	BACKREST TUBE, STD PUSH HANDLE, BH: 40-47.5cm	Pair
1,2,3D	162880	ERGO PH HALF FLD BACK	Pair
4A	066868-002	BACKREST TUBE W/FOLD DOWN PUSH HANDLE, BH: 30-40cm	1 side
4B	066868-003	BACKREST TUBE W/FOLD DOWN PUSH HANDLE, BH: 40-47.5cm	1 side
4C	162881	FOLD DOWN PH HALF FLD BK	Pair
6,7	760949902	MNTG ACCESS FOR BACK UPH ADJ (STRAIGHT CLAMP) CPL	Omit Push Handle
5-7,8A	162883	BACKREST TUBE OMIT PH 25-30	Pair
5-7,8B	162884	BACKREST TUBE OMIT PH 35-40	Pair
5-7,8C	162885	BACKREST TUBE OMIT PH 40-45	Pair
5-7,8D	162886	BACKREST HFLD OMIT PH	Pair

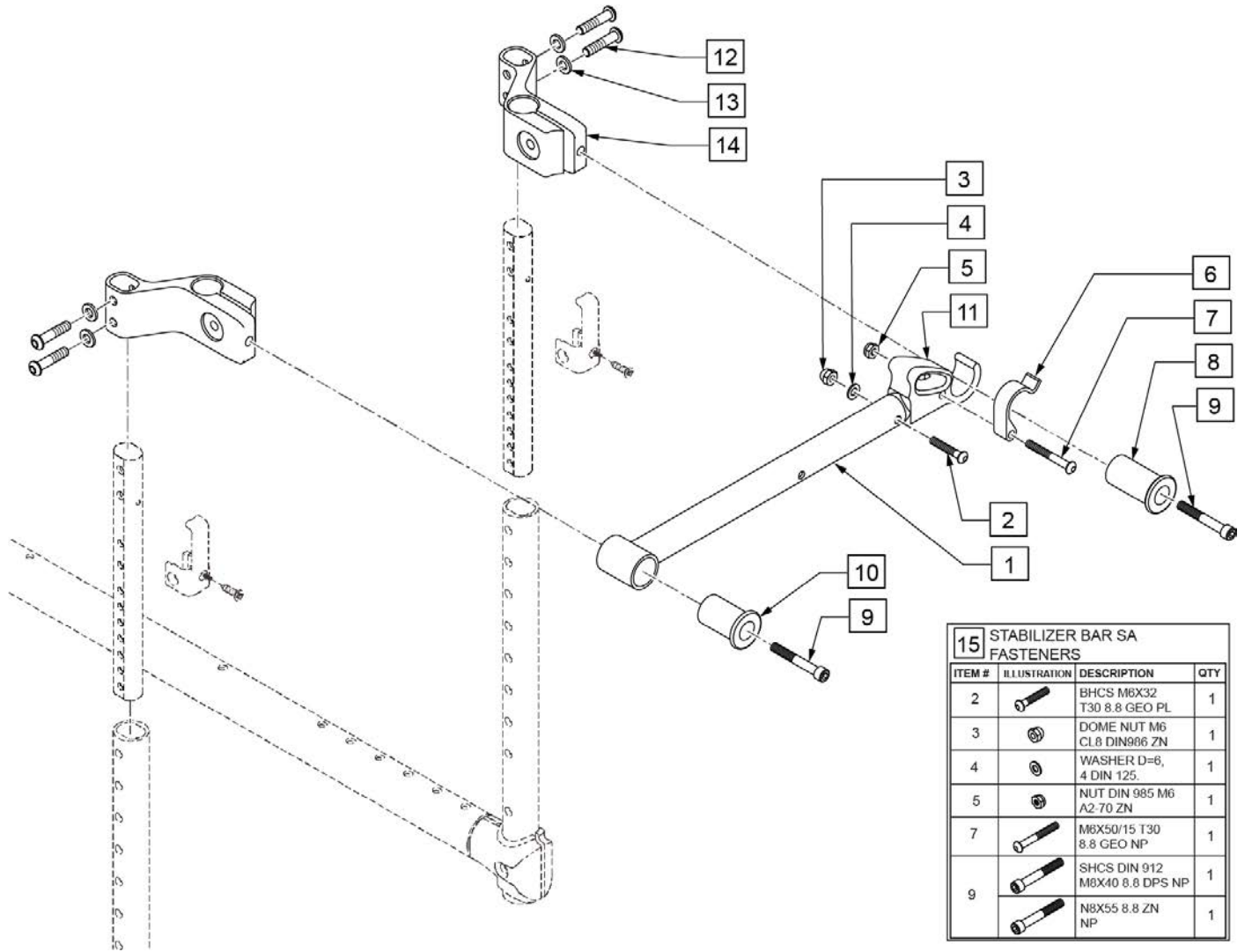
Note: Mounting Accessories must be used with Xenon SA.



Pos.	Item Number	Description
1,2	162888	STABILIZING BAR AUTOFLD 38W
1,2	162889	STABILIZING BAR AUTOFLD 40W
1,2	162890	STABILIZING BAR AUTOFLD 42W
1,2	162891	STABILIZING BAR AUTOFLD 44W
1,2	162892	STABILIZING BAR AUTOFLD 46W
1,2	162893	STABILIZING BAR AUTOFLD 48W
1,2	162894	STABILIZING BAR AUTOFLD 50W
2	162887	AUTOFOLD STABILIZER INSERT PR

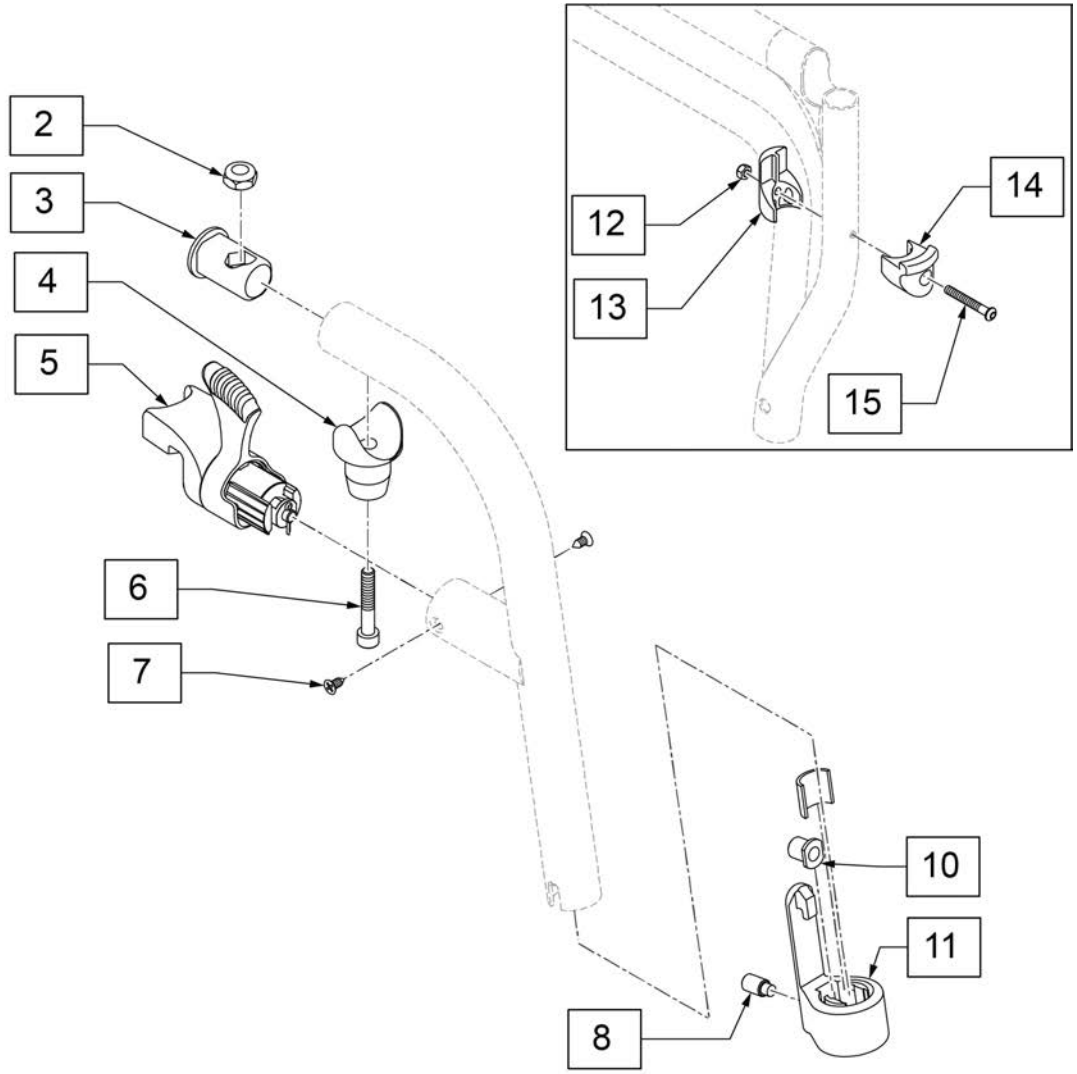
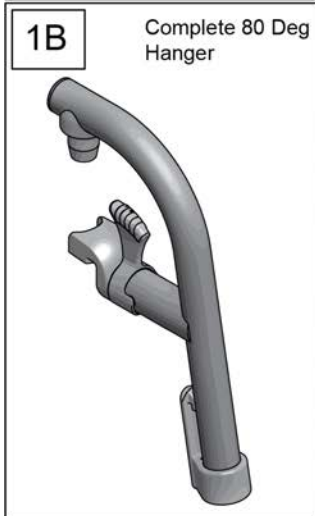
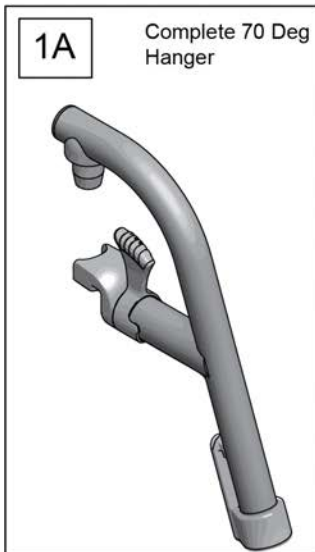
Note: if retro-fitting to an existing chair, the chair must have the height adj. push handle option on it. If the chair doesn't already have this push handle style please see the height adj. push handle parts page to order a complete kit to retro-fit those push handles to the chair along with items 1-14 on this page.

Note: The alternative to switching to height adjustable PH's would be to go with the Stabilizer Bar Auto Folding, please see that parts page.



15 STABILIZER BAR SA FASTENERS			
ITEM #	ILLUSTRATION	DESCRIPTION	QTY
2		BHCS M6X32 T30 8.8 GEO PL	1
3		DOME NUT M6 CL.8 DIN986 ZN	1
4		WASHER D=6, 4 DIN 125	1
5		NUT DIN 985 M6 A2-70 ZN	1
7		M6X50/15 T30 8.8 GEO NP	1
9		SHCS DIN 912 M6X40 8.8 DPS NP	1
		N8X55 8.8 ZN NP	1

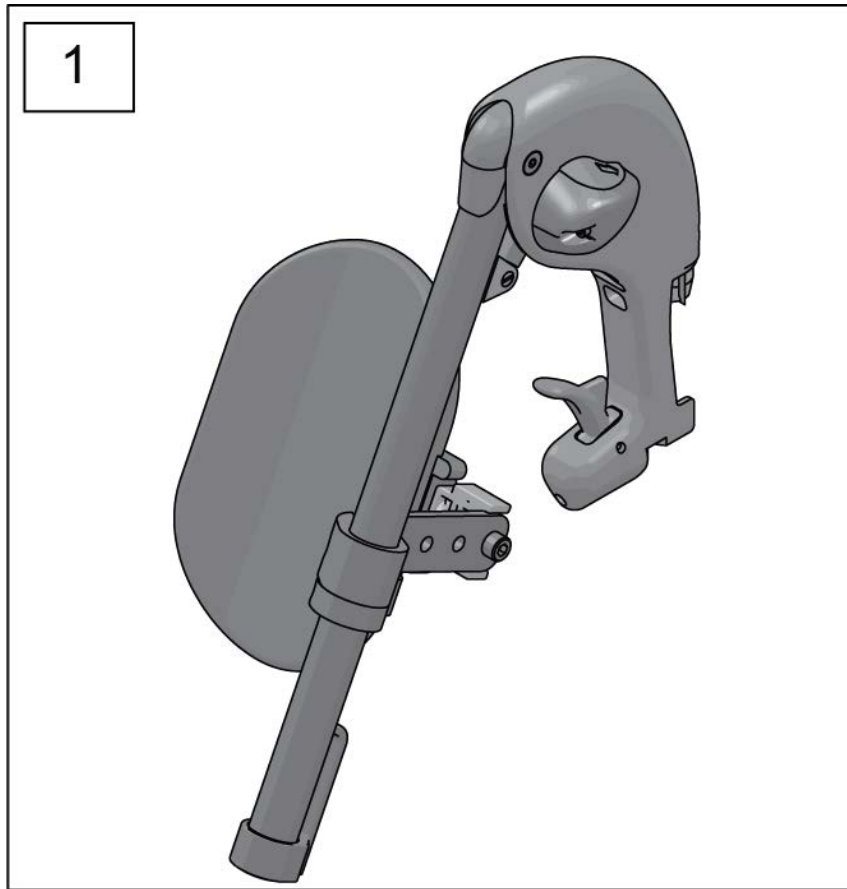
Pos.	Item Number	Description
1-11	163099S	STAB BAR 38 WD
1-11	163100S	STAB BAR 40 WD
1-11	163101S	STAB BAR 42 WD
1-11	163102S	STAB BAR 44 WD
1-11	163103S	STAB BAR 46 WD
1-11	163104S	STAB BAR 48 WD
1-11	163105S	STAB BAR 50 WD
2-4,11	162898	SUPPORT HOOK KIT
5-7	162896	LOCKING BAR REPLACEMENT KIT
12-14	76803024-001	HEIGHT ADJ PH MOUNT STD
8-10	162897	SUPPORT POST KIT
15	162895	STABILIZER BAR SA FASTENERS



Pos.	Item Number	Description
1A	76705020-001S	HANGER CPL 70 DEGREE
1B	76705020-002S	HANGER CPL 80 DEGREE
8-11	163312	CALF STRAP HOLDER
5,7	163313	LOCKING MECHANISM
2-4,6	163314	PIVOT KIT
12	058903	NUT DIN985 M6 A2-70 ZN
13	76702028	HANGER BLOCK FOR D6
14	76705018	LOCKING ELEMENT
15	000102056.01	BHCS M6X45/10 T30 8.8 GEO PL

Note: compatible with Xenon Swing-Away chairs only.

Note: Hanger is available in black only.

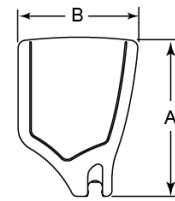


Pos.	Item Number	Description	Remarks
1	064840-001	ELEVATING LEGREST LH	Left
1	064840-002	ELEVATING LEGREST RH	Right

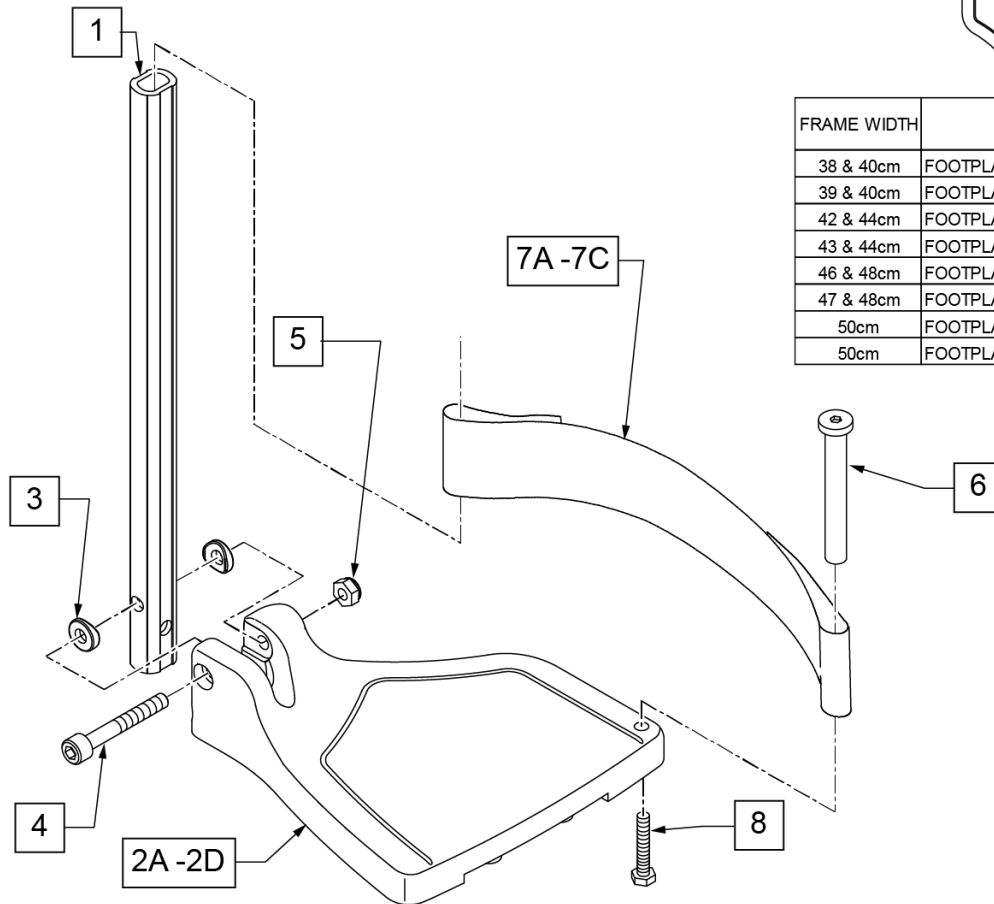
To have complete Footrest ship assembled, choose compatible Hanger + Footplate part numbers and add "ASSY-HNG-FP" to order

INSET FORMULA
 0" Inset (Seat Width) = Footrest Width
 1" Inset (Seat Width) -2" = Footrest Width
 "V" Hanger (Seat Width) -4" = Footrest Width
 Offset Hanger Receiver (Seat Width) +2" = Footrest Width

FOOTPLATE MEASURING GUIDE



FRAME WIDTH	DESCRIPTION	"A"	"B"
38 & 40cm	FOOTPLATE COMPOSITE 157 R	6 1/8"	6"
39 & 40cm	FOOTPLATE COMPOSITE 157 L	6 1/8"	6"
42 & 44cm	FOOTPLATE COMPOSITE 182 R	7 1/8"	6"
43 & 44cm	FOOTPLATE COMPOSITE 182 L	7 1/8"	6"
46 & 48cm	FOOTPLATE COMPOSITE 207 R	8 1/8"	6"
47 & 48cm	FOOTPLATE COMPOSITE 207 L	8 1/8"	6"
50cm	FOOTPLATE COMPOSITE 232 R	9 1/8"	6 1/4"
50cm	FOOTPLATE COMPOSITE 232 L	9 1/8"	6 1/4"



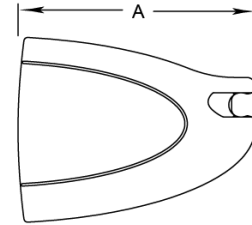
Pos.	Item Number	Description	Remarks
1,3-5	120662	LNG STRT EXT COMP HDWR	11 1/4" long
2A	063216-006	FOOTPLATE COMPOSITE 157 R	Right-38 & 40cm seat width
2A	063216-012	FOOTPLATE COMPOSITE 157 L	LEFT-38 & 40cm seat width
2B	063216-005	FOOTPLATE COMPOSITE 182 R	Right-42 & 44cm seat width
2B	063216-011	FOOTPLATE COMPOSITE 182 L	LEFT-42 & 44cm seat width
2C	063216-004	FOOTPLATE COMPOSITE 207 R	Right-46 & 48cm seat width
2C	063216-010	FOOTPLATE COMPOSITE 207 L	LEFT-46 & 48cm seat width
2D	063216-003	FOOTPLATE COMPOSITE 232 R	Right- 50cm seat width
2D	063216-009	FOOTPLATE COMPOSITE 232 L	LEFT- 50cm seat width
3	104377	3/4" SADDLE THIN	
4	103175	SHCS M6 X 1 X 40, PART, NP	
5	132626	NUT AUTOMATION 1/4-28 ROHS	Inserted in bottom of footplate
6	104328	POST HEEL LOOP	
7A	104380-002	ADJ FOOTREST STRAP 15-16W	38 & 40cm seat width
7B	104380-003	ADJ FOOTREST STRAP 17-18W	42 & 46cm seat width
7C	104380-004	ADJ FOOTREST STRAP 19-20W	48 & 50cm seat width
8	102268-001	HHCS M6 X 1 X 25 BLK	
1,2A,3-6,7A,8	107732	COMP STRT LONG EXT ASM 13"W R	Right-38 & 40cm seat width
1,2C,3-6,7B,8	107734	COMP STRT LONG EXT ASM 15"W R	Right-42 & 44cm seat width

Pos.	Item Number	Description	Remarks
1,2E,3-6,7C,8	107736	COMP STRT LONG EXT ASM 17"W R	Right-46 & 48cm seat width
1,2G,3-6,7D,8	107738	COMP STRT LONG EXT ASM 19 & 20"W R	Right- 50cm seat width
1,2A,3-6,7A,8	107739	COMP STRT LONG EXT ASM 13"W L	LEFT-38 & 40cm seat width
1,2C,3-6,7B,8	107741	COMP STRT LONG EXT ASM 15"W L	LEFT-42 & 44cm seat width
1,2E,3-6,7C,8	107743	COMP STRT LONG EXT ASM 17"W L	LEFT-46 & 48cm seat width
1,2G,3-6,7D,8	107745	COMP STRT LONG EXT ASM 19 & 20"W L	LEFT- 50cm seat width
		Ship assembled part #	Use with multiple assemblies
	ASSY-HNG-FP	HANGER/FOOTPLATE ASSY REQUIRED	add with Hanger & Footplate kit

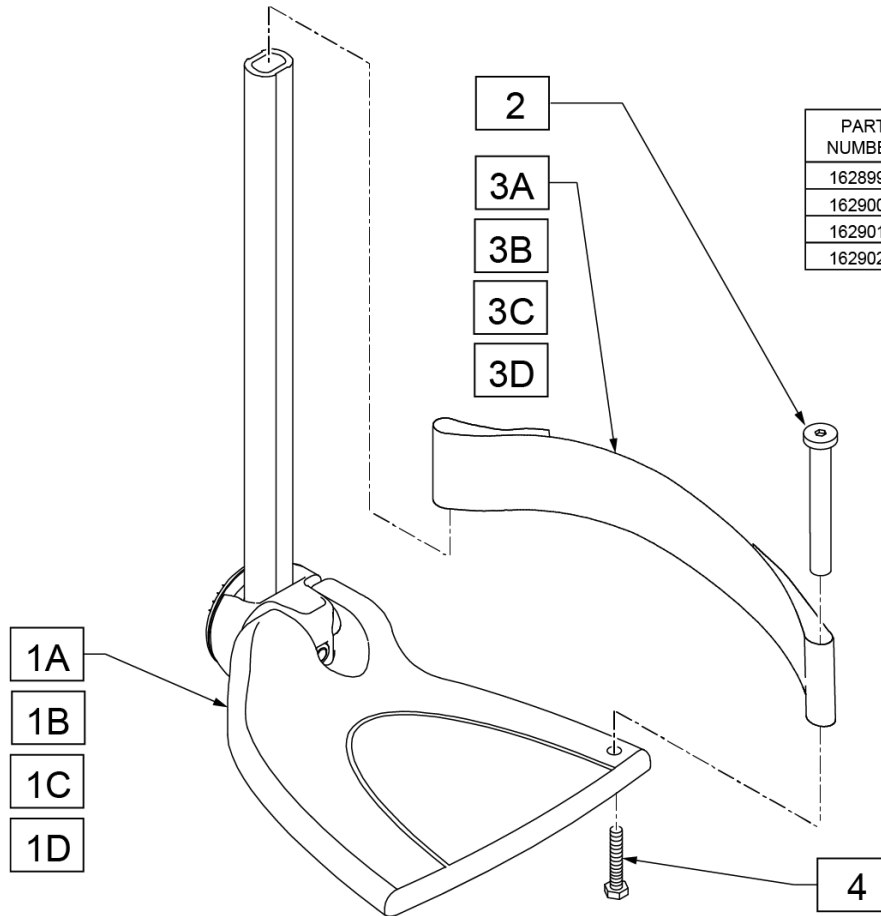
Note: Fits Xenon Swing Away Frame version only.

To have complete Footrest ship assembled, choose compatible Hanger + Footplate part numbers and add "ASSY-HNG-FP" to order

FOOTPLATE MEASURING GUIDE

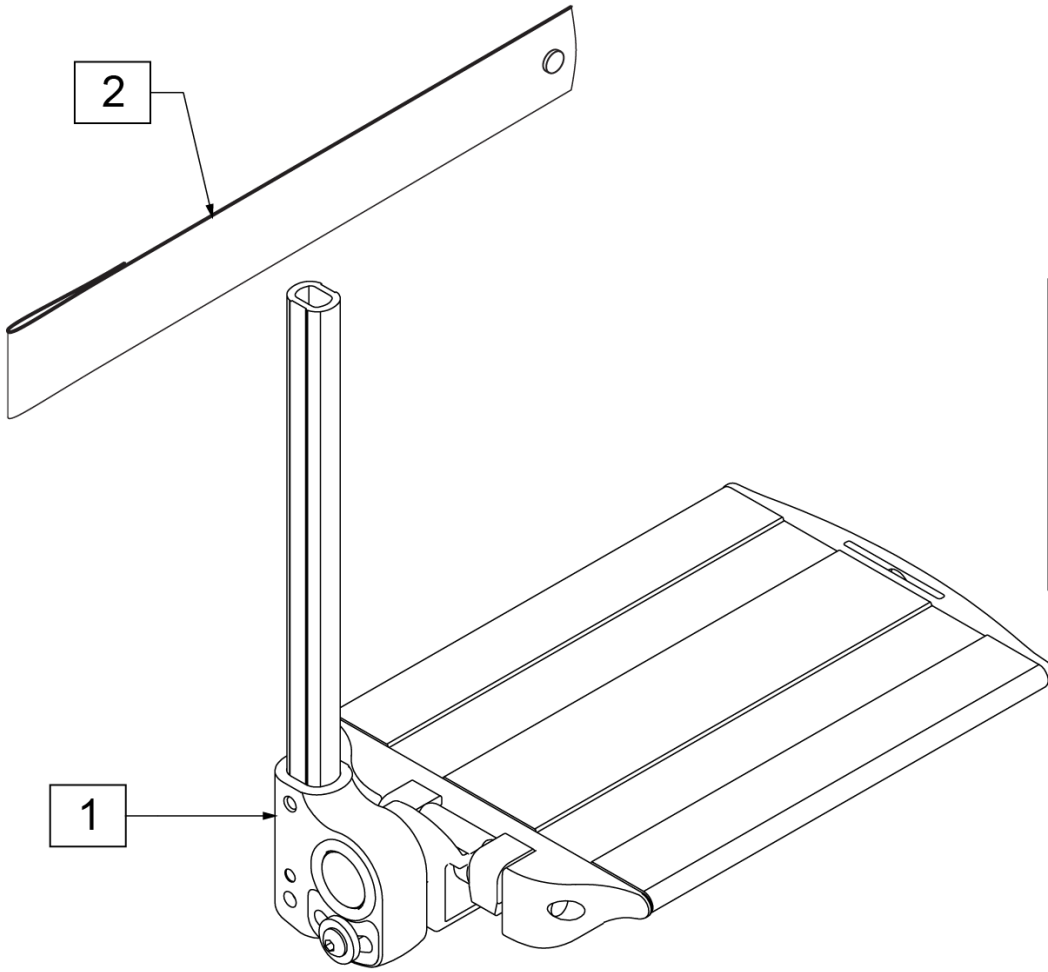


PART NUMBER	DESCRIPTION	"A"
162899	COMPOSITE AA FTPLT 36-38 PR	150mm
162900	COMPOSITE AA FTPLT 40-42 PR	170mm
162901	COMPOSITE AA FTPLT 44-46 PR	190mm
162902	COMPOSITE AA FTPLT 48-50 PR	210mm



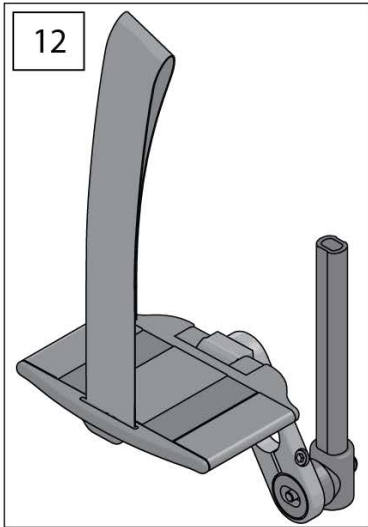
Pos.	Item Number	Description	Remarks
2	104328	POST HEEL LOOP	
3A	104380-001	ADJ FOOTREST STRAP 14W	36 & 38 cm seat width
3B	104380-002	ADJ FOOTREST STRAP 15-16W	40 & 42 cm seat width
3C	104380-003	ADJ FOOTREST STRAP 17-18W	44 & 46 cm seat width
3D	104380-004	ADJ FOOTREST STRAP 19-20W	48 & 50 cm seat width
4	102268-001	HHCS M6 X 1 X 25 BLK	
		<<REPLACE LEFT OR RIGHT>>	
1A	054250-008	PLASTIC-FTPLTE, RHS SB36-38CM	Right; Ext & Footplate, no Strap
1A	054250-016	PLASTIC-FTPLAT, LHS SB36-38CM	Left; Ext & Footplate, no Strap
1B	054250-007	PLASTIC-FTPLTE, RHS SB40-42CM	Right; Ext & Footplate, no Strap
1B	054250-015	PLASTIC-FTPLAT, LHS SB40-42CM	Left; Ext & Footplate, no Strap
1C	054250-006	PLASTIC FOOTBOARD, RH ANG ADJ. SW440-460MM	Right; Ext & Footplate, no Strap
1C	054250-014	PLASTIC FOOTBOARD, LH ANG ADJ. SW440-460MM	Left; Ext & Footplate, no Strap
1D	054250-005	PLASTIC FOOTPLATE ANGLE ADJ SW 48-54 RIGHT	Right; Ext & Footplate, no Strap

Pos.	Item Number	Description	Remarks
1D	054250-013	PLASTIC FOOTPLATE ANGLE ADJ SW 48-54 LEFT	Left; Ext & Footplate, no Strap
		<<RETROFIT PAIR>>	
1A,2,3A,4	162899	COMPOSITE AA FTPLT 36-38 PR	Pair
1B,2,3B,4	162900	COMPOSITE AA FTPLT 40-42 PR	Pair
1C,2,3C,4	162901	COMPOSITE AA FTPLT 44-46 PR	Pair
1D,2,3D,4	162902	COMPOSITE AA FTPLT 48-50 PR	Pair



Part Number	Chair Width	"A"	"B"
163146S	30-32	70mm	159mm
163147S			
163148S	34-36	90mm	159mm
163149S			
163150S	38-40	110mm	159mm
163151S			
163152S	42-44	130mm	159mm
163153S			
163154S	46-48	150mm	159mm
163155S			
163156S	50-52	170mm	159mm
163157S			

Pos.	Item Number	Description	Remarks
1,2	163146S	DIVIDED FOOTPLATE 70 RH	Right
1,2	163147S	DIVIDED FOOTPLATE 70 LH	Left
1,2	163148S	DIVIDED FOOTPLATE 90 RH	Right
1,2	163149S	DIVIDED FOOTPLATE 90 LH	Left
1,2	163150S	DIVIDED FOOTPLATE 110 RH	Right
1,2	163151S	DIVIDED FOOTPLATE 110 LH	Left
1,2	163152S	DIVIDED FOOTPLATE 130 RH	Right
1,2	163153S	DIVIDED FOOTPLATE 130 LH	Left
1,2	163154S	DIVIDED FOOTPLATE 150 RH	Right
1,2	163155S	DIVIDED FOOTPLATE 150 LH	Left
1,2	163156S	DIVIDED FOOTPLATE 170 RH	Right
1,2	163157S	DIVIDED FOOTPLATE 170 LH	Left
2	760824031	CALF STRAP DIAGONAL	1 strap

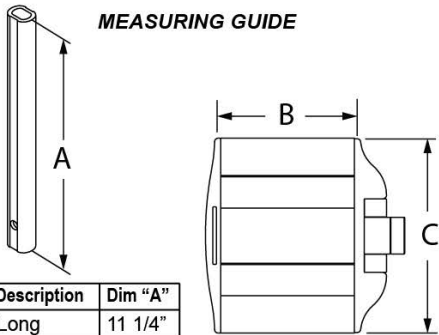


12

To have complete Footrest ship assembled, choose compatible Hanger + Footplate part numbers and add "ASSY-HNG-FP" to order

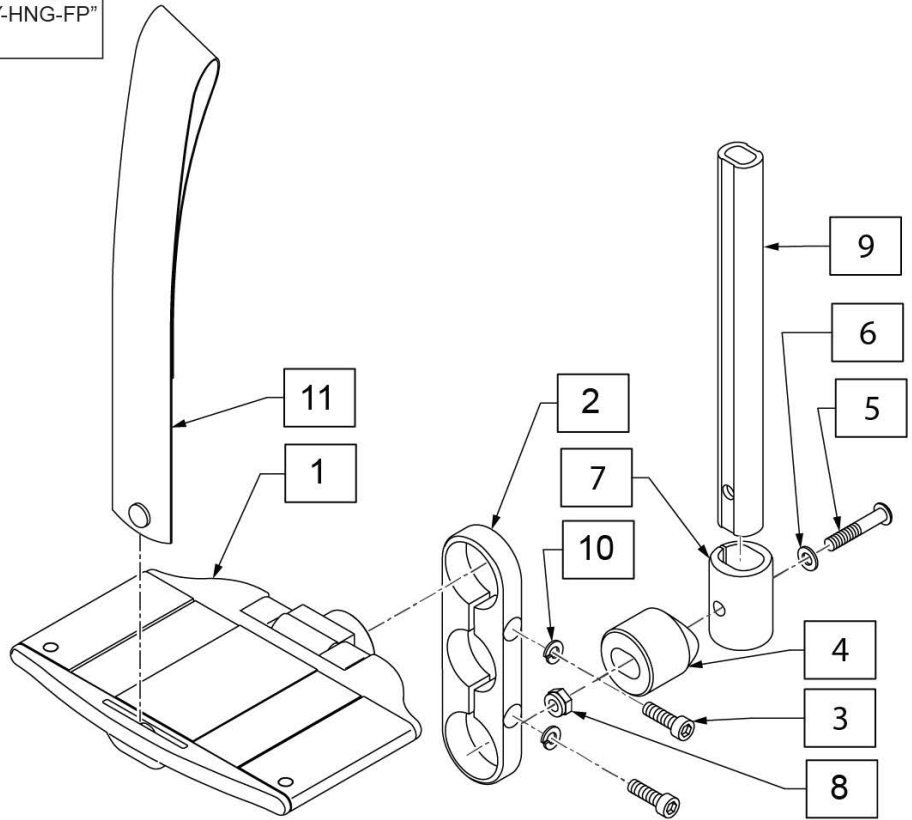
ADD INSET FORMULA
1" Inset (Seat Width) - 2" = Footrest Width

MEASURING GUIDE



Description	Dim "A"
Long	11 1/4"

P/N	Dim "B"	Dim "C"	Seat Width
163064S	2 3/4"	6 1/4"	Footplate SW 30-32
163065S	3 1/2"	6 1/4"	Footplate SW 34-36
163066S	4 1/4"	6 1/4"	Footplate SW 38-40
163067S	5"	6 1/4"	Footplate SW 42-44
163068S	6"	6 1/4"	Footplate SW 46-48
163069S	6 3/4"	6 1/4"	Footplate SW 50-52



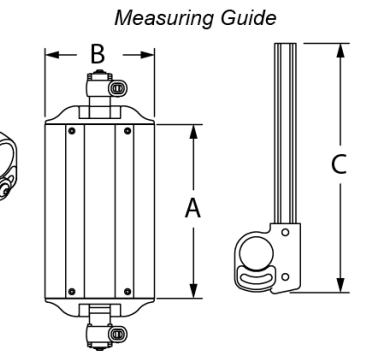
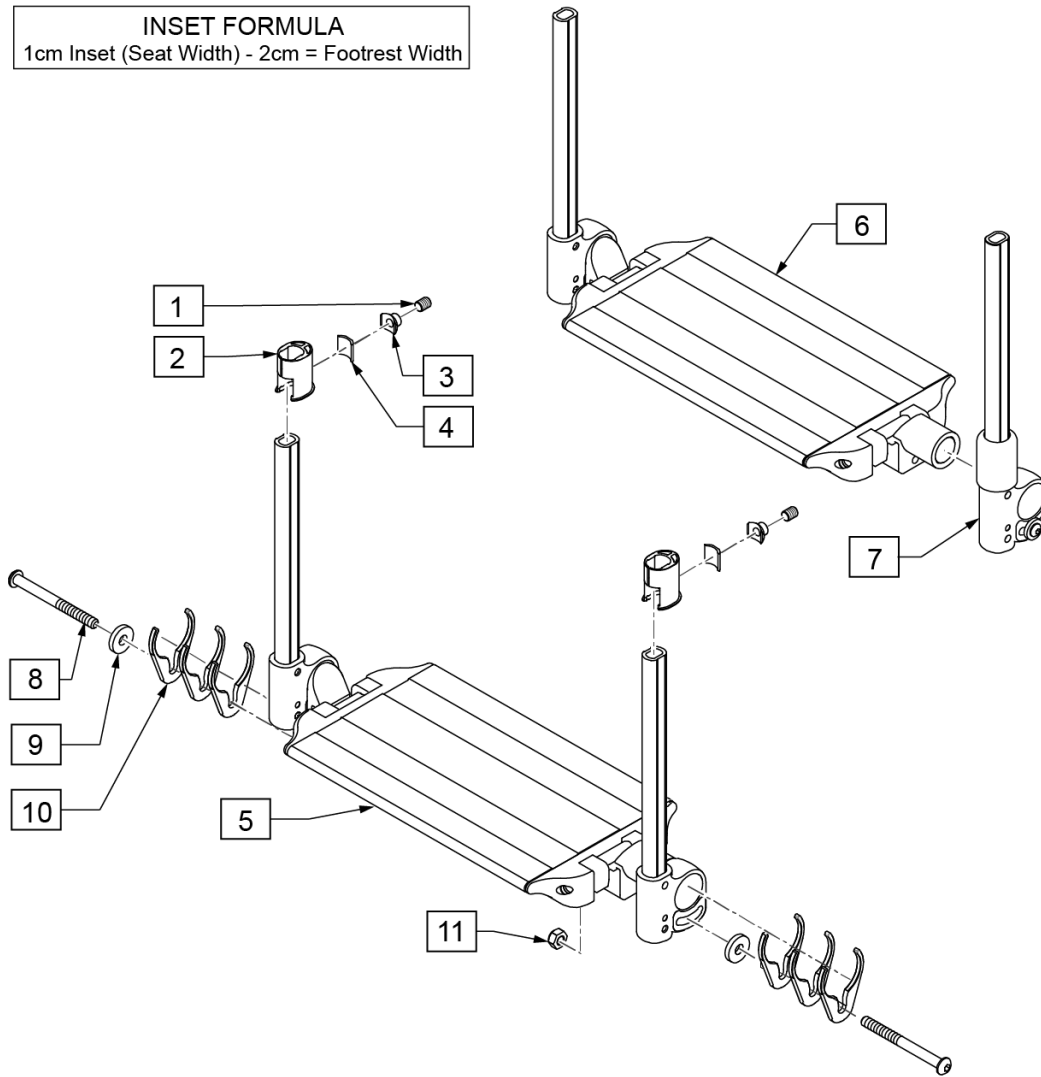
Pos.	Item Number	Description	Remarks
2	128403	LONG FOOTPLATE CLAMP	
3	102263-003	SHCS, M6X1X25, FULL, PL	
4	129058	HALF EXTEN TUBE ADAPTOR	
5	106964	BHCS 1/4-28 X 2	
6	107383	WASHER FLAT M6	
7	128229	EXTEN MOUNT LOWER ADAPTOR	
8	106934	NUT NYLOCK 1/4-28	
9	129057	EXT TUBE FTREST SRT LNG	
10	107367	WASHER LOCK HI COLLAR 1/4 ROHS	
11	760824031	CALF STRAP DIAGONAL	1 strap, 1 size fits all
12	163064S	MULTI ANGLE ADJ 32 CM	
12	163065S	MULTI ANGLE ADJ 34/36 CM	
12	163066S	MULTI ANGLE ADJ 38/40 CM	
12	163067S	MULTI ANGLE ADJ 42/44 CM	
12	163068S	MULTI ANGLE ADJ 46/48 CM	
12	163069S	MULTI ANGLE ADJ 50 CM	
12	163070S	MULTI ANGLE ADJ 32 CM PR	
12	163071S	MULTI ANGLE ADJ 34/36 CM PR	

Pos.	Item Number	Description	Remarks
12	163072S	MULTI ANGLE ADJ 38/40 CM PR	
12	163073S	MULTI ANGLE ADJ 42/44 CM PR	
12	163074S	MULTI ANGLE ADJ 46/48 CM PR	
12	163075S	MULTI ANGLE ADJ 50 CM PR	
		Ship assembled part #	Use with multiple assemblies
	ASSY-HNG-FP	HANGER/FOOTPLATE ASSY REQUIRED	add with Hanger & Footplate kit

Note: for Fixed Front Frame style only verify if inset is selected on the chair; Std/Long extension length is not available on Fixed Front w/ a 1cm inset due to interference with the bend in the frame to achieve that inset.

INSET FORMULA
1cm Inset (Seat Width) - 2cm = Footrest Width

12 FITTING ACCESSORIES			
ITEM #	ILLUSTRATION	DESCRIPTION	QTY
1		SHSS M8X10 DPS NP	2
2		SOCKET PIPE FOOTREST	2
3		FOOTREST NUT	2
4		CLAMP	2



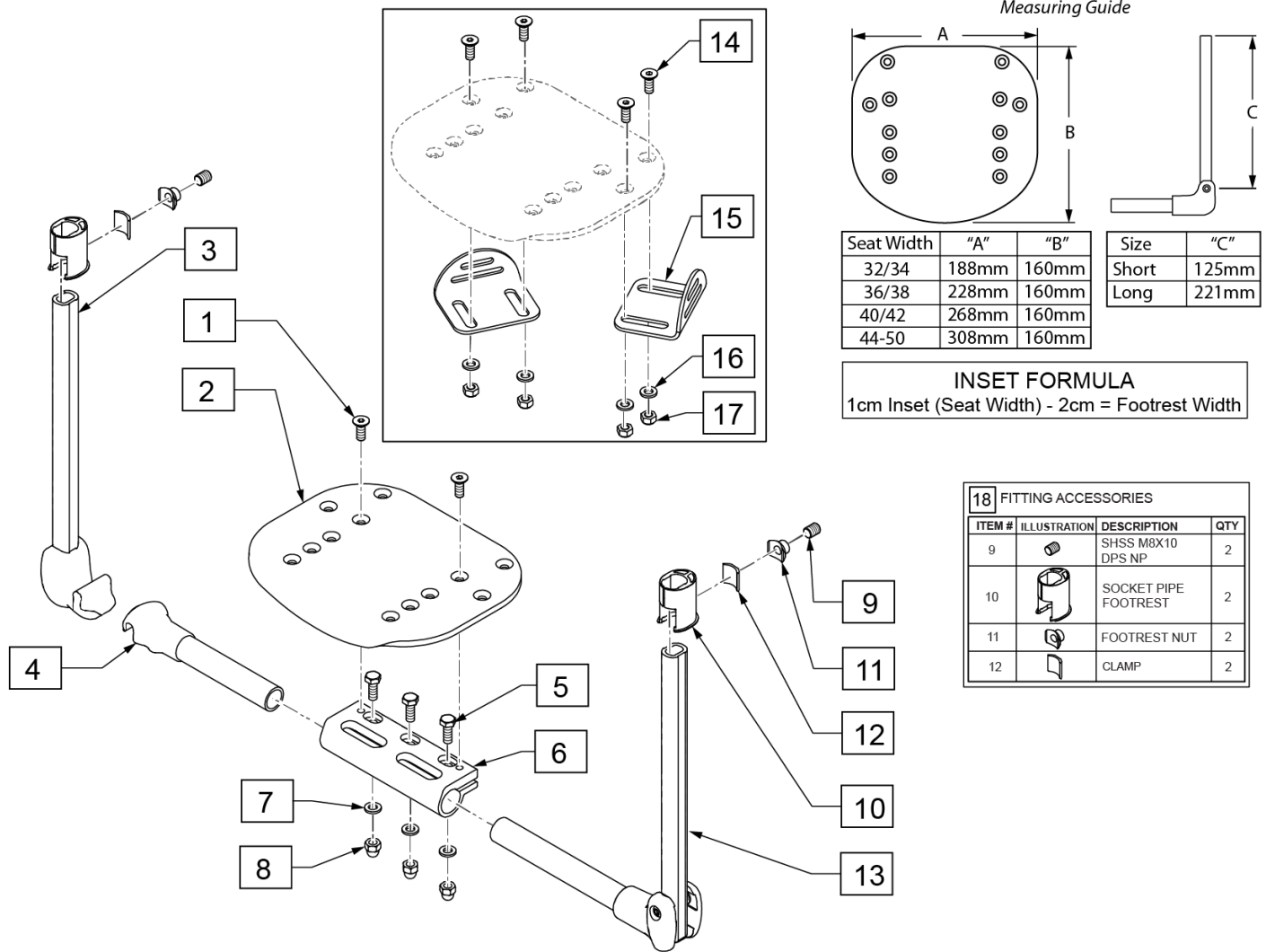
Seat Width	"A"	"B"
Footplate SW 32	192.5mm	159mm
Footplate SW 34	212.5mm	159mm
Footplate SW 36	232.5mm	159mm
Footplate SW 38	252.5mm	159mm
Footplate SW 40	272.5mm	159mm
Footplate SW 42	292.5mm	159mm
Footplate SW 44	312.5mm	159mm
Footplate SW 46	332.5mm	159mm
Footplate SW 48	352.5mm	159mm
Footplate SW 50	372.5mm	159mm

	"C"
SHORT	7"
STD	10 1/3"

Pos.	Item Number	Description	Remarks
12	068236	FITTING ACCESSORIES	Double D Fitting; Pair; Fixed Front only
		<< STD Length >>	
5,8-11	162996S	ALUM ANGLE ADJ FLIP UP 32W	STD
5,8-11	162997S	ALUM ANGLE ADJ FLIP UP 34W	STD
5,8-11	162998S	ALUM ANGLE ADJ FLIP UP 36W	STD
5,8-11	162999S	ALUM ANGLE ADJ FLIP UP 38W	STD
5,8-11	163000S	ALUM ANGLE ADJ FLIP UP 40W	STD
5,8-11	163001S	ALUM ANGLE ADJ FLIP UP 42W	STD
5,8-11	163002S	ALUM ANGLE ADJ FLIP UP 44W	STD
5,8-11	163003S	ALUM ANGLE ADJ FLIP UP 46W	STD
5,8-11	163004S	ALUM ANGLE ADJ FLIP UP 48W	STD
5,8-11	163005S	ALUM ANGLE ADJ FLIP UP 50W	STD
		<< SHORT Length >>	
5,8-11	163006S	ALUM ANG ADJ FLIP UP SHT 32W	SHORT

Pos.	Item Number	Description	Remarks
5,8-11	163007S	ALUM ANG ADJ FLIP UP SHT 34W	SHORT
5,8-11	163008S	ALUM ANG ADJ FLIP UP SHT 36W	SHORT
5,8-11	163009S	ALUM ANG ADJ FLIP UP SHT 38W	SHORT
5,8-11	163010S	ALUM ANG ADJ FLIP UP SHT 40W	SHORT
5,8-11	163011S	ALUM ANG ADJ FLIP UP SHT 42W	SHORT
5,8-11	163012S	ALUM ANG ADJ FLIP UP SHT 44W	SHORT
5,8-11	163013S	ALUM ANG ADJ FLIP UP SHT 46W	SHORT
5,8-11	163014S	ALUM ANG ADJ FLIP UP SHT 48W	SHORT
5,8-11	163015S	ALUM ANG ADJ FLIP UP SHT 50W	SHORT
		<< Swing Away Assist Mech - STD Length >>	
6-11	163016S	ALUM AA FLIP UP SAAM STD 32W	S/A STD
6-11	163017S	ALUM AA FLIP UP SAAM STD 34W	S/A STD
6-11	163018S	ALUM AA FLIP UP SAAM STD 36W	S/A STD
6-11	163019S	ALUM AA FLIP UP SAAM STD 38W	S/A STD
6-11	163020S	ALUM AA FLIP UP SAAM STD 40W	S/A STD
6-11	163021S	ALUM AA FLIP UP SAAM STD 42W	S/A STD
6-11	163022S	ALUM AA FLIP UP SAAM STD 44W	S/A STD
6-11	163023S	ALUM AA FLIP UP SAAM STD 46W	S/A STD
6-11	163024S	ALUM AA FLIP UP SAAM STD 48W	S/A STD
6-11	163025S	ALUM AA FLIP UP SAAM STD 50W	S/A STD
		<< Swing Away Assist Mech - SHORT Length >>	
6-11	163026S	ALUM AA FLIP UP SAAM SHT 32W	S/A SHORT
6-11	163027S	ALUM AA FLIP UP SAAM SHT 34W	S/A SHORT
6-11	163028S	ALUM AA FLIP UP SAAM SHT 36W	S/A SHORT
6-11	163029S	ALUM AA FLIP UP SAAM SHT 38W	S/A SHORT
6-11	163030S	ALUM AA FLIP UP SAAM SHT 40W	S/A SHORT
6-11	163031S	ALUM AA FLIP UP SAAM SHT 42W	S/A SHORT
6-11	163032S	ALUM AA FLIP UP SAAM SHT 44W	S/A SHORT
6-11	163033S	ALUM AA FLIP UP SAAM SHT 46W	S/A SHORT
6-11	163034S	ALUM AA FLIP UP SAAM SHT 48W	S/A SHORT
6-11	163035S	ALUM AA FLIP UP SAAM SHT 50W	S/A SHORT

Note: for Fixed Front Frame style only verify if inset is selected on the chair; Std/Long extension length is not available on Fixed Front w/ a 1cm inset due to interference with the bend in the frame to achieve that inset.

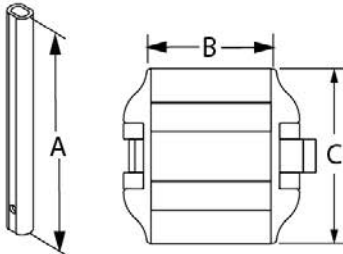


Pos.	Item Number	Description	Remarks
1,2,7,8	163036	PLTFRM COMP PLATE 32/34 CM	
1,2,7,8	163037	PLTFRM COMP PLATE 36/38 CM	
1,2,7,8	163038	PLTFRM COMP PLATE 40/42 CM	
1,2,7,8	163039	PLTFRM COMP PLATE 44-50 CM	
5-8	06802227	FOOTREST CLAMP	
14-17	068890	STOP BRACKET FOR FOOTBOARD	Pair
18	068236	FITTING ACCESSORIES	Double D Fitting; Pair; used on Fixed Front & Hybrid Dual Tube
1-8,13	163040	PLTFRM FOOTREST SHT COMP 32W	Short
1-8,13	163041	PLTFRM FOOTREST SHT COMP 34W	Short
1-8,13	163042	PLTFRM FOOTREST SHT COMP 36W	Short
1-8,13	163043	PLTFRM FOOTREST SHT COMP 38W	Short
1-8,13	163044	PLTFRM FOOTREST SHT COMP 40W	Short
1-8,13	163045	PLTFRM FOOTREST SHT COMP 42W	Short
1-8,13	163046	PLTFRM FOOTREST SHT COMP 44W	Short

Pos.	Item Number	Description	Remarks
1-8,13	163047	PLTFRM FOOTREST SHT COMP 46W	Short
1-8,13	163048	PLTFRM FOOTREST SHT COMP 48W	Short
1-8,13	163049	PLTFRM FOOTREST COMP SHT 50W	Short
1-8,13	163050	PLTFRM FOOTREST COMP LNG 32W	Std/Long
1-8,13	163051	PLTFRM FOOTREST COMP LNG 34W	Std/Long
1-8,13	163052	PLTFRM FOOTREST COMP LNG 36W	Std/Long
1-8,13	163053	PLTFRM FOOTREST COMP LNG 38W	Std/Long
1-8,13	163054	PLTFRM FOOTREST COMP LNG 40W	Std/Long
1-8,13	163055	PLTFRM FOOTREST COMP LNG 42W	Std/Long
1-8,13	163056	PLTFRM FOOTREST COMP LNG 44W	Std/Long
1-8,13	163057	PLTFRM FOOTREST COMP LNG 46W	Std/Long
1-8,13	163058	PLTFRM FOOTREST COMP LNG 48W	Std/Long
1-8,13	163059	PLTFRM FOOTREST COMP LNG 50W	Std/Long

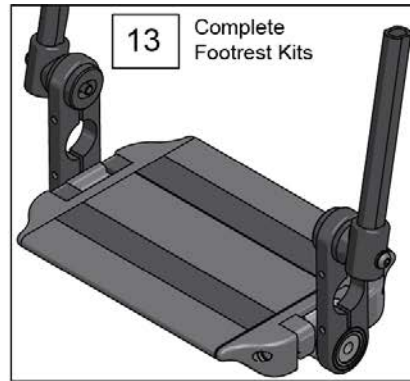
Note: only available for Swing-Away Frame.

MEASURING GUIDE



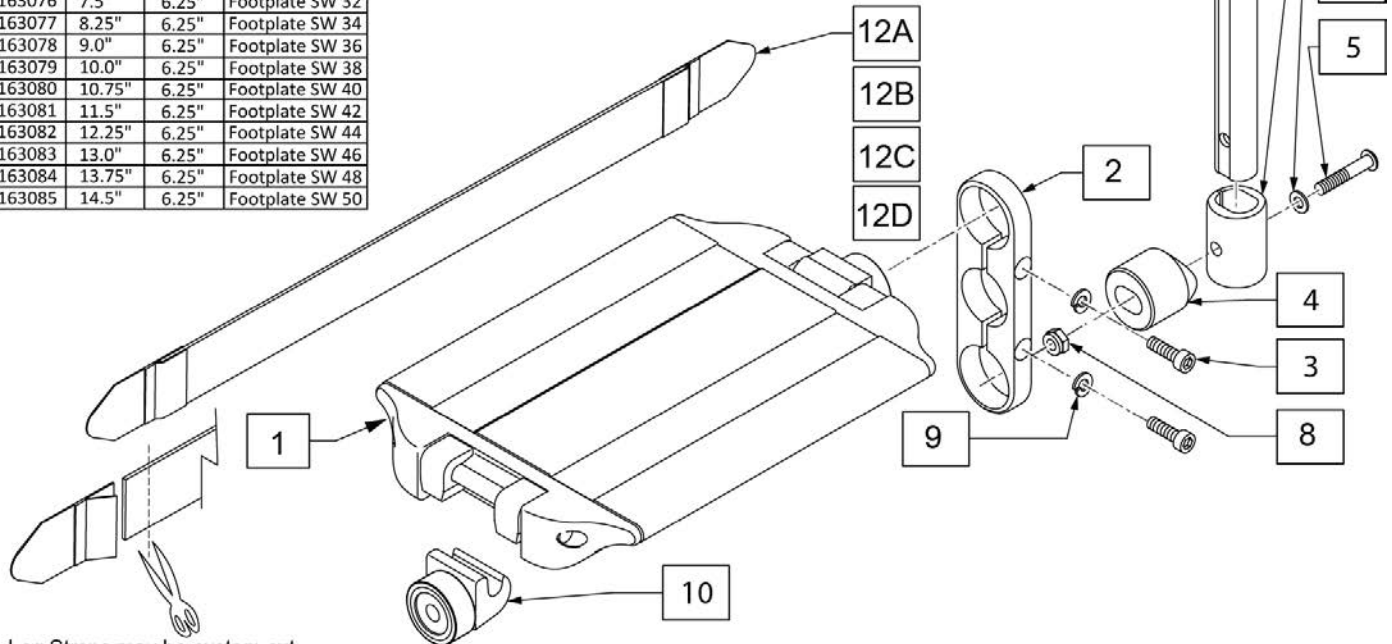
Description	Dim "A"
Long	11 1/4"

P/N	Dim "B"	Dim "C"	Seat Width
163076	7.5"	6.25"	Footplate SW 32
163077	8.25"	6.25"	Footplate SW 34
163078	9.0"	6.25"	Footplate SW 36
163079	10.0"	6.25"	Footplate SW 38
163080	10.75"	6.25"	Footplate SW 40
163081	11.5"	6.25"	Footplate SW 42
163082	12.25"	6.25"	Footplate SW 44
163083	13.0"	6.25"	Footplate SW 46
163084	13.75"	6.25"	Footplate SW 48
163085	14.5"	6.25"	Footplate SW 50



ADD INSET FORMULA
1" Inset (Seat Width) - 2" = Footrest Width

To have complete Footrest ship assembled, choose compatible Hanger + Footplate part numbers and add "ASSY-HNG-FP" to order

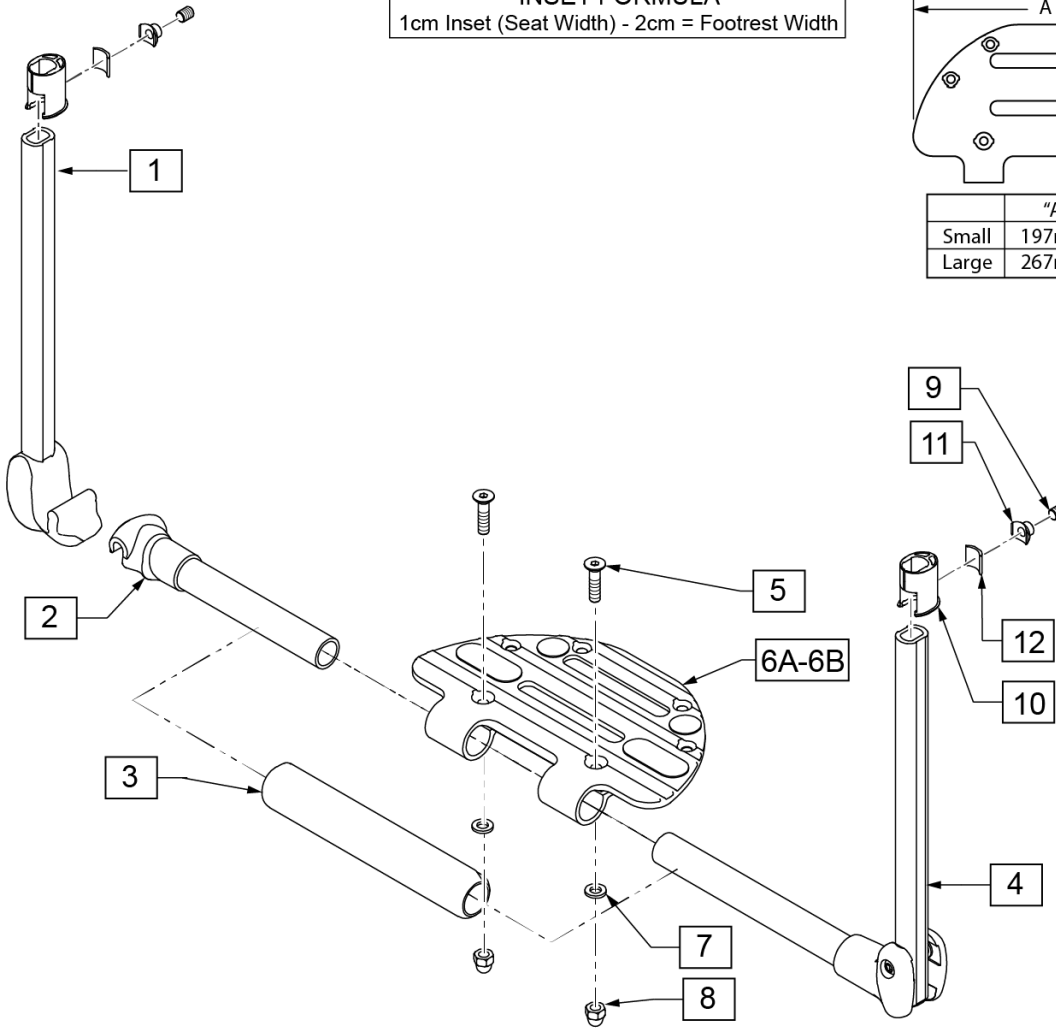
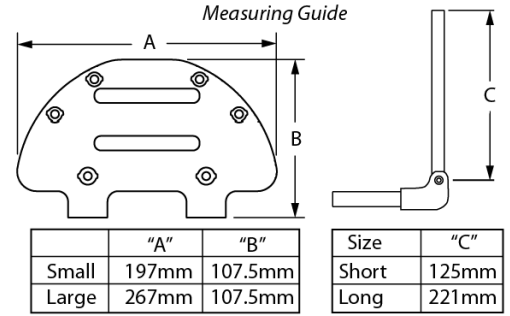


Leg Straps may be custom cut to a smaller size

Pos.	Item Number	Description	Remarks
2	128403	LONG FOOTPLATE CLAMP	
3	102263-003	SHCS, M6X1X25, FULL, PL	
4	129058	HALF EXTEN TUBE ADAPTOR	
5	106964	BHCS 1/4-28 X 2	
6	107383	WASHER FLAT M6	
7	128229	EXTEN MOUNT LOWER ADAPTOR	
8	106935	NUT NYLOCK THIN 1/4-28	
9	107367	WASHER LOCK HI COLLAR 1/4	
10	128410	ALUM CONT FTRST CATCH	
11	129057	EXT TUBE FTREST SRT LNG	
12A	113255	LEG STRAP 11"-12" BLK	for 32 cm
12B	113256	LEG STRAP 13"-15" BLK	for 34-38 cm
12C	113257	LEG STRAP 16"-18" BLK	for 40-46 cm
12D	113258	LEG STRAP 19"-20" BLK	for 48-50 cm

Pos.	Item Number	Description	Remarks
13	163076S	PLTFRM AL AA HI MNT 32 CM	
13	163077S	PLTFRM AL AA HI MNT 34 CM	
13	163078S	PLTFRM AL AA HI MNT 36 CM	
13	163079S	PLTFRM AL AA HI MNT 38 CM	
13	163080S	PLTFRM AL AA HI MNT 40 CM	
13	163081S	PLTFRM AL AA HI MNT 42 CM	
13	163082S	PLTFRM AL AA HI MNT 44 CM	
13	163083S	PLTFRM AL AA HI MNT 46 CM	
13	163084S	PLTFRM AL AA HI MNT 48 CM	
13	163085S	PLTFRM AL AA HI MNT 50CM	
	ASSY-HNG-FP	HANGER/FOOTPLATE ASSY REQUIRED	add with Hanger & Footplate kit
		Ship assembled part #	Use with multiple assemblies

INSET FORMULA
1cm Inset (Seat Width) - 2cm = Footrest Width



13 FITTING ACCESSORIES			
ITEM #	ILLUSTRATION	DESCRIPTION	QTY
9		SHSS M8X10 DPS NP	2
10		SOCKET PIPE FOOTREST	2
11		FOOTREST NUT	2
12		CLAMP	2

Pos.	Item Number	Description	Remarks
3,5,6A,7,8	162903	ULTRA LITE FOOT PLT SML	Small 32-38
3,5,6B,7,8	162904	ULTRA LITE FOOT PLT LRG	Large 40-50
3	066203-000	TUBE FRONT COVER	
4	068207-000	FOOTREST PIVOT ASSY LEFT SIDE	
13	068236	FITTING ACCESSORIES	Double D Fitting; Pair; used on Fixed Front & Hybrid Dual Tube
1-5,6A,7,8	162915	PLTFRM ULTRA LT FTPLT SHT 32	Short
1-5,6A,7,8	162916	PLTFRM ULTRA LT FTPLT SHT 34	Short
1-5,6A,7,8	162917	PLTFRM ULTRA LT FTPLT SHT 36	Short
1-5,6A,7,8	162918	PLTFRM ULTRA LT FTPLT SHT 38	Short
1-5,6A,7,8	162919	PLTFRM ULTRA LT FTPLT SHT 40	Short
1-5,6A,7,8	162920	PLTFRM ULTRA LT FTPLT SHT 42	Short
1-5,6A,7,8	162921	PLTFRM ULTRA LT FTPLT SHT 44	Short
1-5,6A,7,8	162922	PLTFRM ULTRA LT FTPLT SHT 46	Short
1-5,6A,7,8	162923	PLTFRM ULTRA LT FTPLT SHT 48	Short
1-5,6A,7,8	162924	PLTFRM ULTRA LT FTPLT SHT 50	Short
1-5,6B,7,8	162905	PLTFRM ULTRA LT FTPLT STD 32	Standard
1-5,6B,7,8	162906	PLTFRM ULTRA LT FTPLT STD 34	Standard
1-5,6B,7,8	162907	PLTFRM ULTRA LT FTPLT STD 36	Standard
1-5,6B,7,8	162908	PLTFRM ULTRA LT FTPLT STD 38	Standard

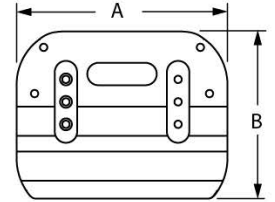
Pos.	Item Number	Description	Remarks
1-5,6B,7,8	162909	PLTFRM ULTRA LT FTPLT STD 40	Standard
1-5,6B,7,8	162910	PLTFRM ULTRA LT FTPLT STD 42	Standard
1-5,6B,7,8	162911	PLTFRM ULTRA LT FTPLT STD 44	Standard
1-5,6B,7,8	162912	PLTFRM ULTRA LT FTPLT STD 46	Standard
1-5,6B,7,8	162913	PLTFRM ULTRA LT FTPLT STD 48	Standard
1-5,6B,7,8	162914	PLTFRM ULTRA LT FTPLT STD 50	Standard

Note: for Fixed Front Frame style only verify if inset is selected on the chair; Std/Long extension length is not available on Fixed Front w/ a 1cm inset due to interference with the bend in the frame to achieve that inset.

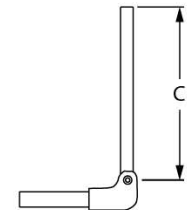
INSET FORMULA

1cm Inset (Seat Width) - 2cm = Footrest Width

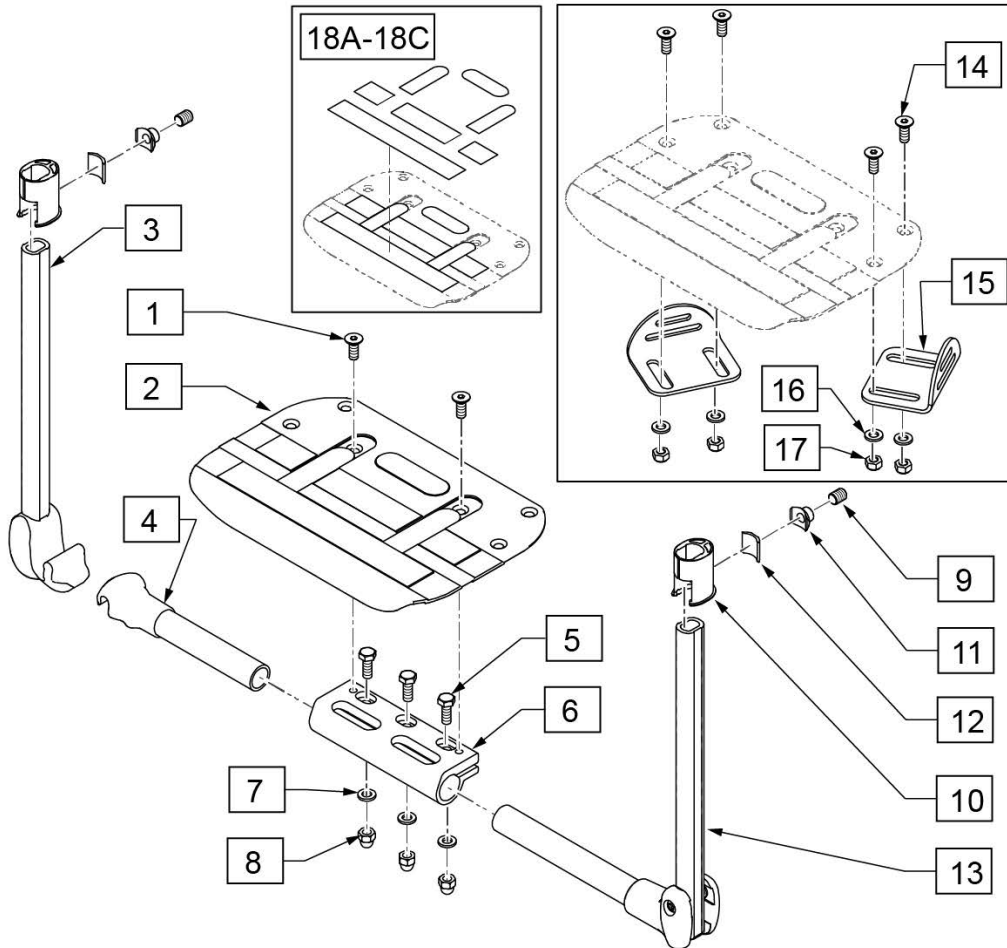
Measuring Guide



Size	"A"	"B"
Small	188mm	149mm
Medium	228mm	149mm
Large	268mm	149mm



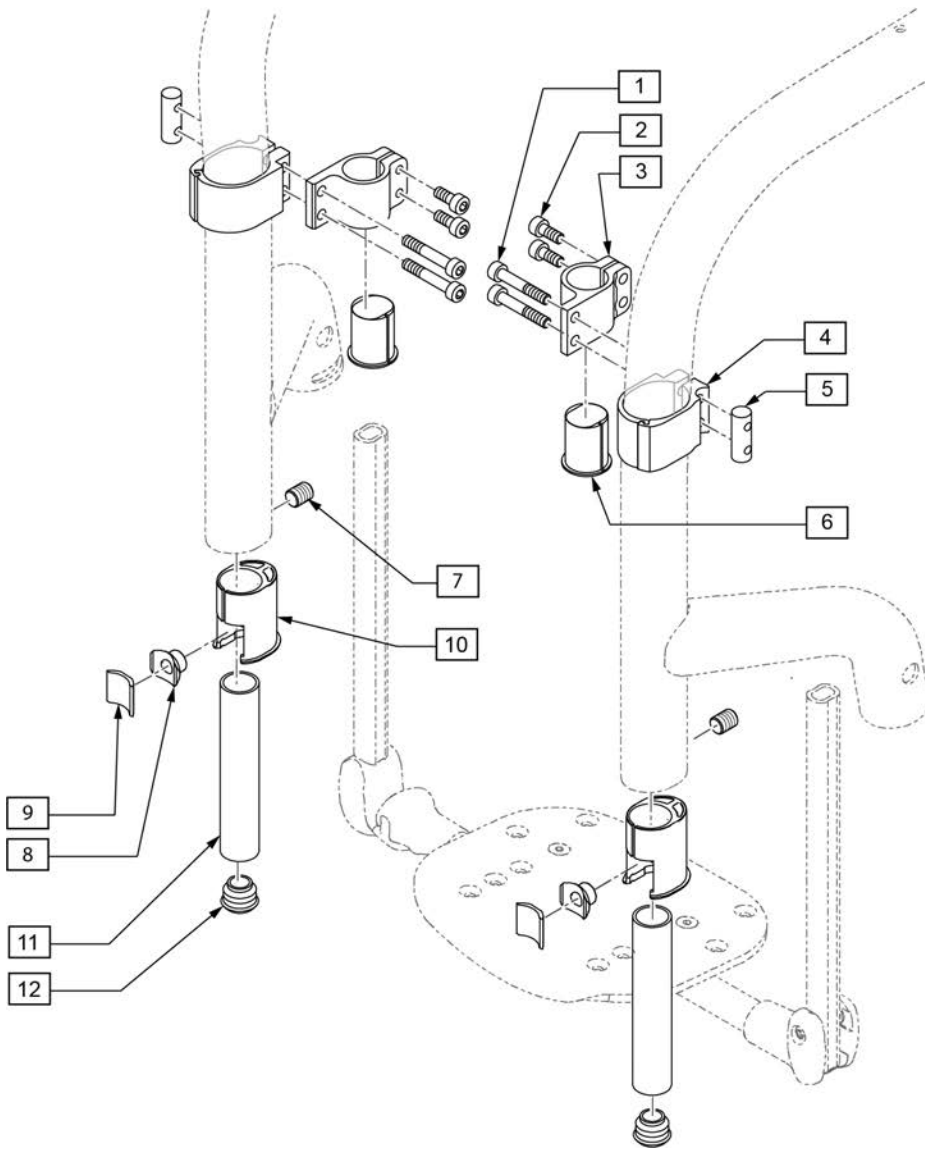
Size	"C"
Short	125mm
Long	221mm



19 FITTING ACCESSORIES			
ITEM #	ILLUSTRATION	DESCRIPTION	QTY
9		SHSS M8X10 DPS NP	2
10		SOCKET PIPE FOOTREST	2
11		FOOTREST NUT	2
12		CLAMP	2

Pos.	Item Number	Description	Remarks
5-8	06802227	FOOTREST CLAMP	
14-17	068890	STOP BRACKET FOR FOOTBOARD	
18A	132004	ANTISLIP STCKR CRBN FTPT S KIT	Small; Kit: SW32+40 w/0 inset, SW32+34+36+38 w/1 inset
18B	132005	ANTISLIP STCKR CRBN FTPT M KIT	Medium; Kit: SW36+38 w/0 inset, SW40+42 w/1 inset
18C	132006	ANTISLIP STCKR CRBN FTPT L KIT	Large; Kit: SW40+42+44+46 w/0 inset, SW44+46 w/1 inset
19	068236	FITTING ACCESSORIES	Double D Fitting; Pair; used on Fixed Front & Hybrid Dual Tube
1,2,18	162925	PLTFRM CARB PLATE 32/34 CM	Small
1,2,18	162926	PLTFRM CARB PLATE 36/38 CM	Medium
1,2,18	162927	PLTFRM CARB PLATE 40-50 CM	Large
1-8,13,18	162928	PLTFRM FOOTREST CARBON SHT 32W	Short
1-8,13,18	162929	PLTFRM FOOTREST CARBON SHT 34W	Short
1-8,13,18	162930	PLTFRM FOOTREST CARBON SHT 36W	Short
1-8,13,18	162931	PLTFRM FOOTREST CARBON SHT 38W	Short
1-8,13,18	162932	PLTFRM FOOTREST CARBON SHT 40W	Short

Pos.	Item Number	Description	Remarks
1-8,13,18	162933	PLTFRM FOOTREST CARBON SHT 42W	Short
1-8,13,18	162934	PLTFRM FOOTREST CARBON SHT 44W	Short
1-8,13,18	162935	PLTFRM FOOTREST CARBON SHT 46W	Short
1-8,13,18	162936	PLTFRM FOOTREST CARBON SHT 48W	Short
1-8,13,18	162937	PLTFRM FOOTREST CARBON SHT 50W	Short
1-8,13,18	162938	PLTFRM FOOTREST CARBON LNG 32W	Std/Long
1-8,13,18	162939	PLTFRM FOOTREST CARBON LNG 34W	Std/Long
1-8,13,18	162940	PLTFRM FOOTREST CARBON LNG 36W	Std/Long
1-8,13,18	162941	PLTFRM FOOTREST CARBON LNG 38W	Std/Long
1-8,13,18	162942	PLTFRM FOOTREST CARBON LNG 40W	Std/Long
1-8,13,18	162943	PLTFRM FOOTREST CARBON LNG 42W	Std/Long
1-8,13,18	162944	PLTFRM FOOTREST CARBON LNG 44W	Std/Long
1-8,13,18	162945	PLTFRM FOOTREST CARBON LNG 46W	Std/Long
1-8,13,18	162946	PLTFRM FOOTREST CARBON LNG 48W	Std/Long
1-8,13,18	162947	PLTFRM FOOTREST CARBON LNG 50W	Std/Long



13 FITTING ACCESSORIES FOOTREST			
ITEM #	ILLUSTRATION	DESCRIPTION	QTY
7		SHSS M8X10 DPS NP	2
8		FOOTREST NUT	2
9		CLAMP	2
10		BUSHING FOOTREST ROUND TUBE	2

Pos.	Item Number	Description	Remarks
1-6	066213	FOOTREST CLAMP	
11	066224	INSIDE TUBE FOR FOOTREST	
12	000282042	LAMELLA CAP 18 BLACK PE	
13	066917	FITTING ACCESSORIES FOOTREST	Round Fitting, Pair; used on Fixed Front & Hybrid Dual Tube

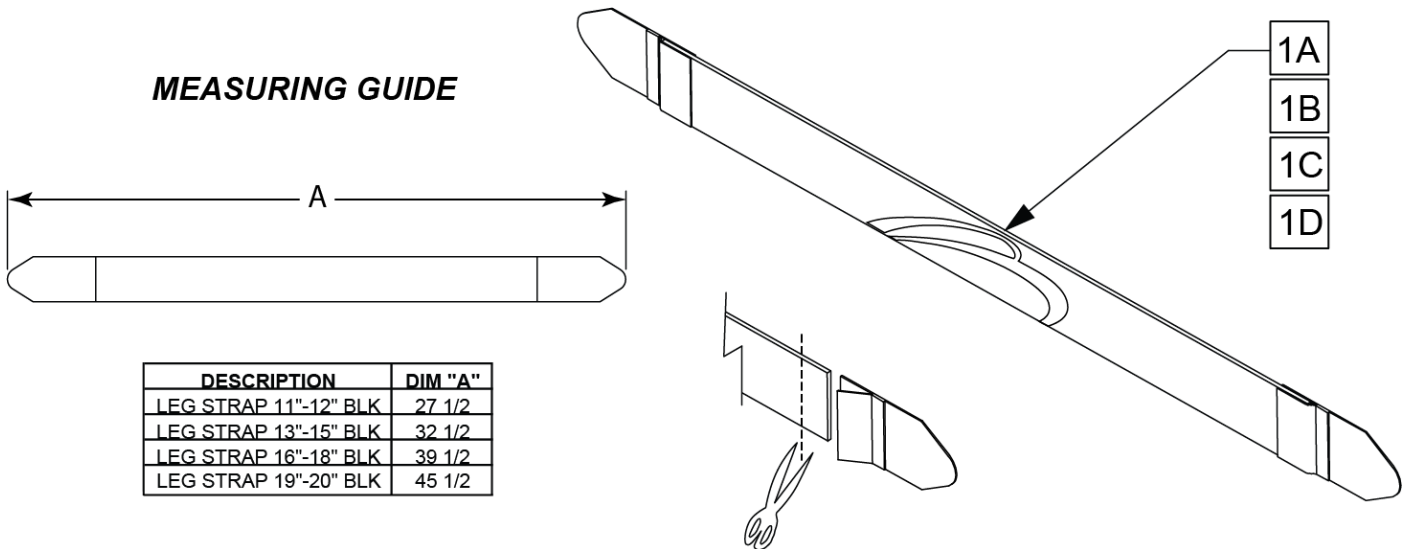
[05/21/2021]

Note: High Mount Footrest Clamp only available on Platform Aluminum Angle Adj and Platform Composite Footplates and only for Fixed Front and Hybrid frames.

Note: used for ALL Fixed style frames and ALL Hybrid style frames.

Note: used ONLY on Swing-Away style frames WITH Platform Aluminum Angle Adj High Mount (Z-Finity) Footplate option.

MEASURING GUIDE



Leg Straps may be custom cut to a smaller size

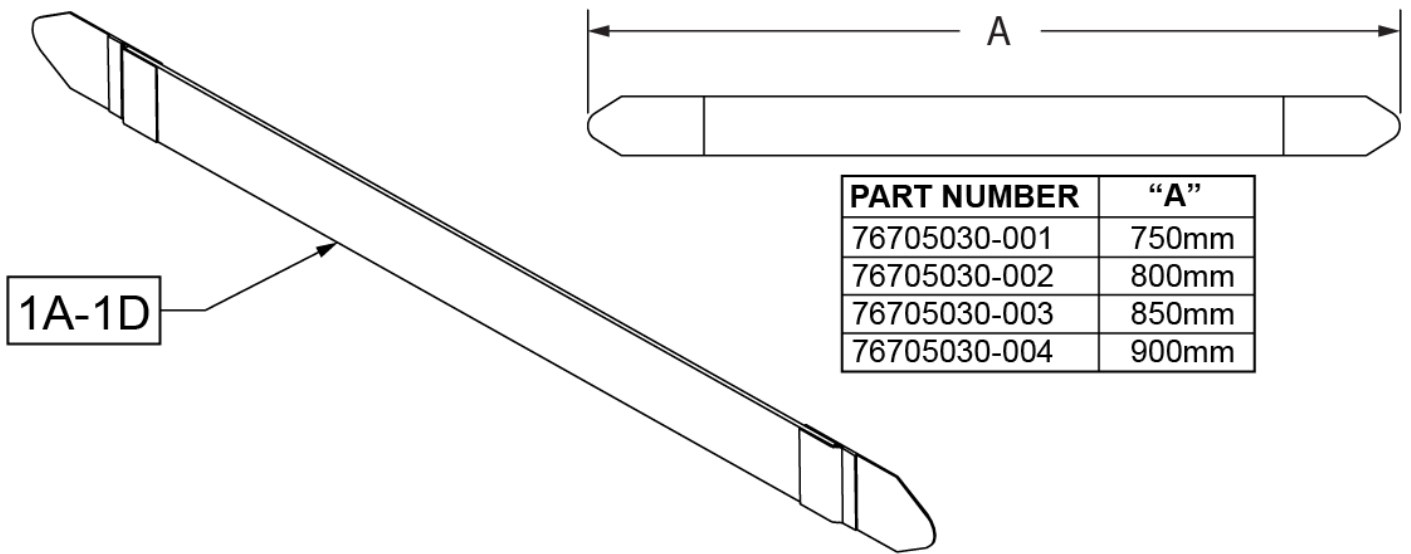
Pos.	Item Number	Description	Remarks
1A	113255	LEG STRAP 11-12" BLK	32 cm seat width
1B	113256	LEG STRAP 13"-15" BLK	34-38 cm seat width
1C	113257	LEG STRAP 16"-18" BLK	40-46 cm seat width
1D	113258	LEG STRAP 19"-20" BLK	48 & 50 seat width

Note: used on all Swing-Away style frames w/ Platform Aluminum Angle Adjustable, Composite, Ultra Lite & Carbon Platform Footplate options

Note: not used on Platform Aluminum Angle Adjustable High Mount (Z-Finity) Footplate.

Note: for replacement Leg Straps on Fixed and Hybrid style frames, see the ADJUSTABLE LEG STRAP parts page.

MEASURING GUIDE

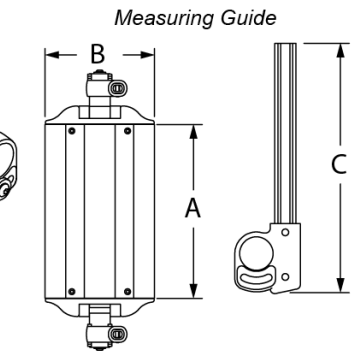
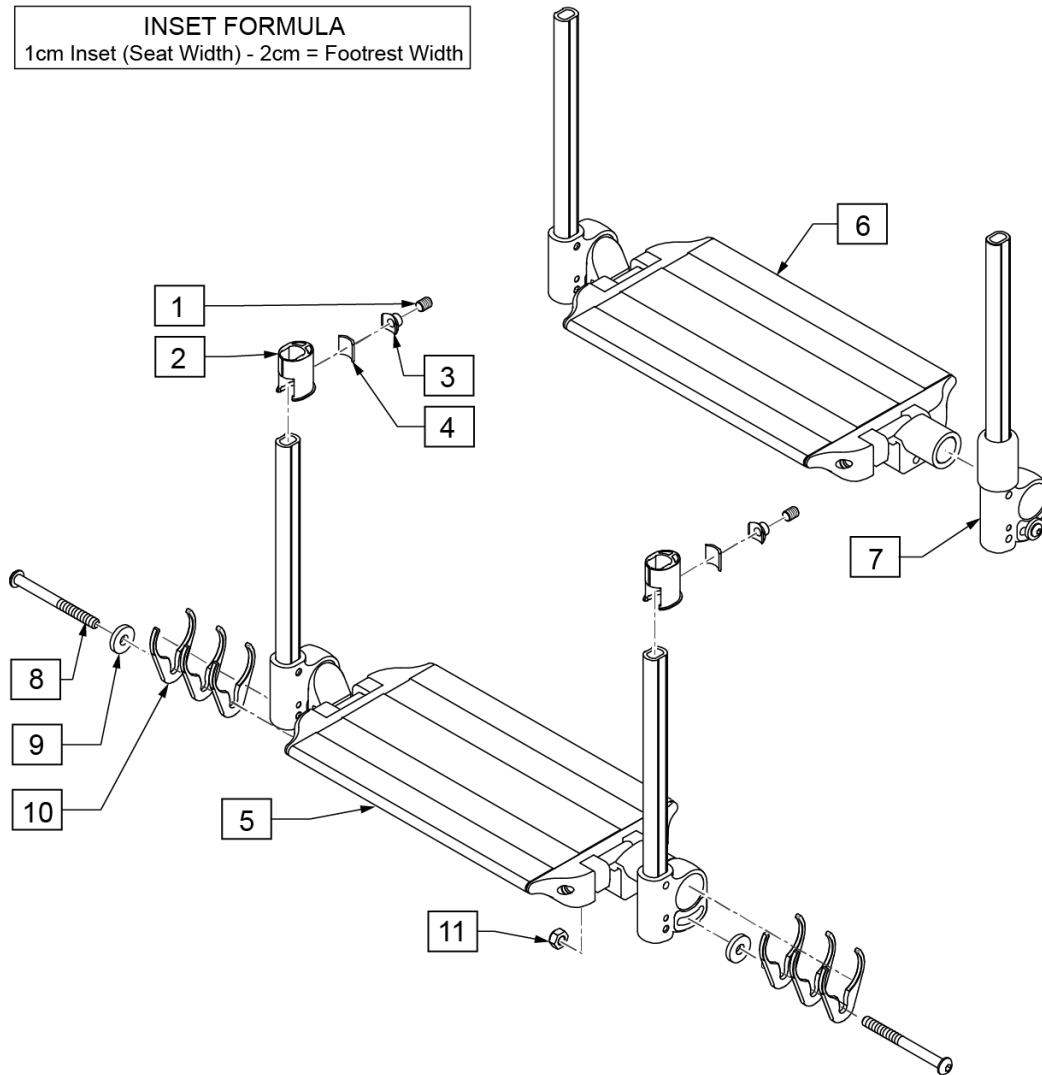


Pos.	Item Number	Description	Remarks
1A	76705030-001	CALF STRAP L750 SB32 AND SB34	Leg Strap; 32cm-34cm widths
1B	76705030-002	CALF STRAP L800 SB36 AND SB38	Leg Strap; 36cm-38cm widths
1C	76705030-003	CALF STRAP L850 SB40 AND SB42	Leg Strap;40cm-42cm widths
1D	76705030-004	CALF STRAP L900 SB44 AND SB46	Leg Strap; 44cm-50cm widths

Note: for Fixed Front Frame style only verify if inset is selected on the chair; Std/Long extension length is not available on Fixed Front w/ a 1cm inset due to interference with the bend in the frame to achieve that inset.

INSET FORMULA
1cm Inset (Seat Width) - 2cm = Footrest Width

12 FITTING ACCESSORIES			
ITEM #	ILLUSTRATION	DESCRIPTION	QTY
1		SHSS M8X10 DPS NP	2
2		SOCKET PIPE FOOTREST	2
3		FOOTREST NUT	2
4		CLAMP	2



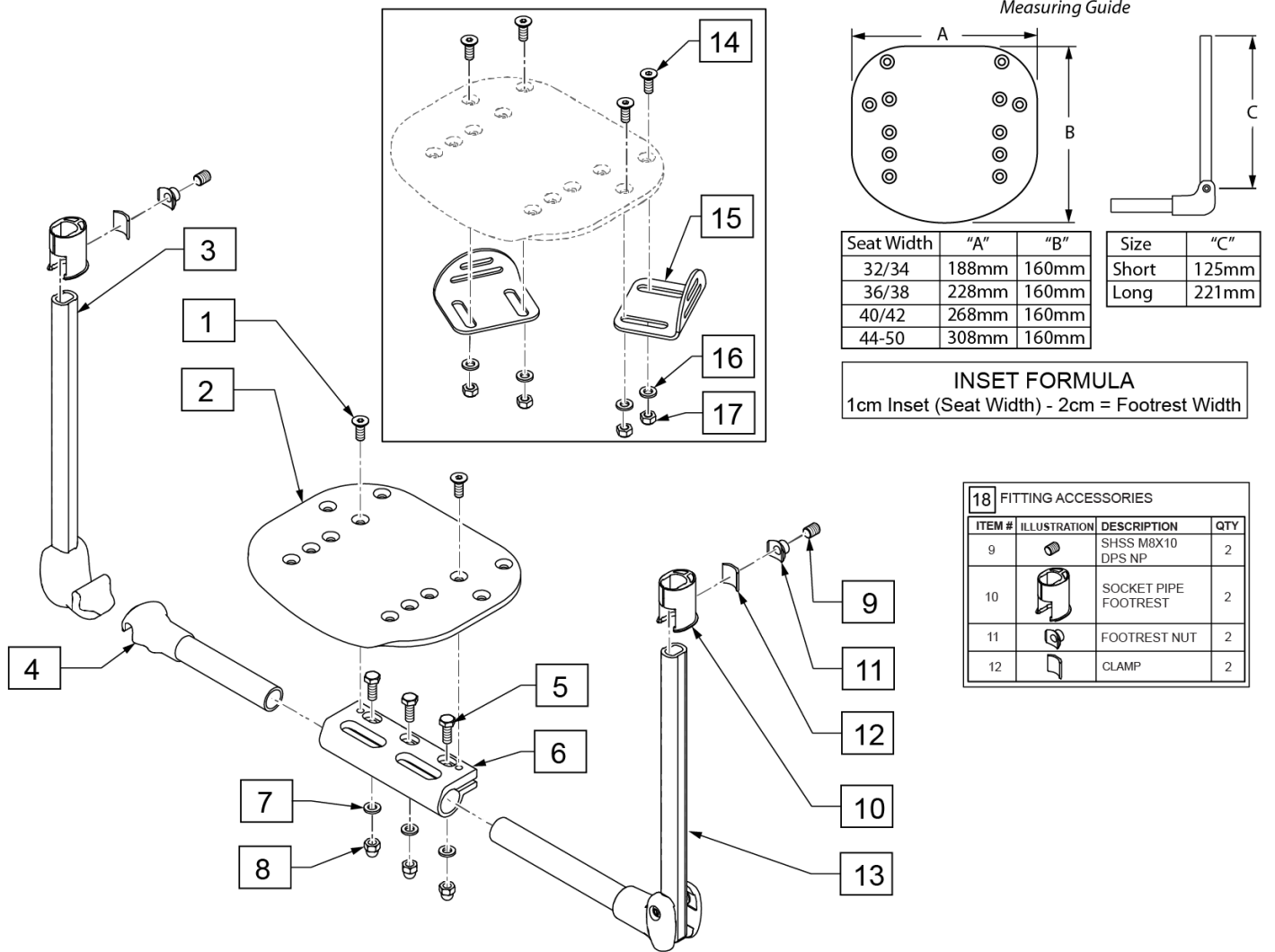
Seat Width	"A"	"B"
Footplate SW 32	192.5mm	159mm
Footplate SW 34	212.5mm	159mm
Footplate SW 36	232.5mm	159mm
Footplate SW 38	252.5mm	159mm
Footplate SW 40	272.5mm	159mm
Footplate SW 42	292.5mm	159mm
Footplate SW 44	312.5mm	159mm
Footplate SW 46	332.5mm	159mm
Footplate SW 48	352.5mm	159mm
Footplate SW 50	372.5mm	159mm

	"C"
SHORT	7"
STD	10 1/3"

Pos.	Item Number	Description	Remarks
12	068236	FITTING ACCESSORIES	Double D Fitting; Pair; Fixed Front only
		<< STD Length >>	
5,8-11	162996S	ALUM ANGLE ADJ FLIP UP 32W	STD
5,8-11	162997S	ALUM ANGLE ADJ FLIP UP 34W	STD
5,8-11	162998S	ALUM ANGLE ADJ FLIP UP 36W	STD
5,8-11	162999S	ALUM ANGLE ADJ FLIP UP 38W	STD
5,8-11	163000S	ALUM ANGLE ADJ FLIP UP 40W	STD
5,8-11	163001S	ALUM ANGLE ADJ FLIP UP 42W	STD
5,8-11	163002S	ALUM ANGLE ADJ FLIP UP 44W	STD
5,8-11	163003S	ALUM ANGLE ADJ FLIP UP 46W	STD
5,8-11	163004S	ALUM ANGLE ADJ FLIP UP 48W	STD
5,8-11	163005S	ALUM ANGLE ADJ FLIP UP 50W	STD
		<< SHORT Length >>	
5,8-11	163006S	ALUM ANG ADJ FLIP UP SHT 32W	SHORT

Pos.	Item Number	Description	Remarks
5,8-11	163007S	ALUM ANG ADJ FLIP UP SHT 34W	SHORT
5,8-11	163008S	ALUM ANG ADJ FLIP UP SHT 36W	SHORT
5,8-11	163009S	ALUM ANG ADJ FLIP UP SHT 38W	SHORT
5,8-11	163010S	ALUM ANG ADJ FLIP UP SHT 40W	SHORT
5,8-11	163011S	ALUM ANG ADJ FLIP UP SHT 42W	SHORT
5,8-11	163012S	ALUM ANG ADJ FLIP UP SHT 44W	SHORT
5,8-11	163013S	ALUM ANG ADJ FLIP UP SHT 46W	SHORT
5,8-11	163014S	ALUM ANG ADJ FLIP UP SHT 48W	SHORT
5,8-11	163015S	ALUM ANG ADJ FLIP UP SHT 50W	SHORT
		<< Swing Away Assist Mech - STD Length >>	
6-11	163016S	ALUM AA FLIP UP SAAM STD 32W	S/A STD
6-11	163017S	ALUM AA FLIP UP SAAM STD 34W	S/A STD
6-11	163018S	ALUM AA FLIP UP SAAM STD 36W	S/A STD
6-11	163019S	ALUM AA FLIP UP SAAM STD 38W	S/A STD
6-11	163020S	ALUM AA FLIP UP SAAM STD 40W	S/A STD
6-11	163021S	ALUM AA FLIP UP SAAM STD 42W	S/A STD
6-11	163022S	ALUM AA FLIP UP SAAM STD 44W	S/A STD
6-11	163023S	ALUM AA FLIP UP SAAM STD 46W	S/A STD
6-11	163024S	ALUM AA FLIP UP SAAM STD 48W	S/A STD
6-11	163025S	ALUM AA FLIP UP SAAM STD 50W	S/A STD
		<< Swing Away Assist Mech - SHORT Length >>	
6-11	163026S	ALUM AA FLIP UP SAAM SHT 32W	S/A SHORT
6-11	163027S	ALUM AA FLIP UP SAAM SHT 34W	S/A SHORT
6-11	163028S	ALUM AA FLIP UP SAAM SHT 36W	S/A SHORT
6-11	163029S	ALUM AA FLIP UP SAAM SHT 38W	S/A SHORT
6-11	163030S	ALUM AA FLIP UP SAAM SHT 40W	S/A SHORT
6-11	163031S	ALUM AA FLIP UP SAAM SHT 42W	S/A SHORT
6-11	163032S	ALUM AA FLIP UP SAAM SHT 44W	S/A SHORT
6-11	163033S	ALUM AA FLIP UP SAAM SHT 46W	S/A SHORT
6-11	163034S	ALUM AA FLIP UP SAAM SHT 48W	S/A SHORT
6-11	163035S	ALUM AA FLIP UP SAAM SHT 50W	S/A SHORT

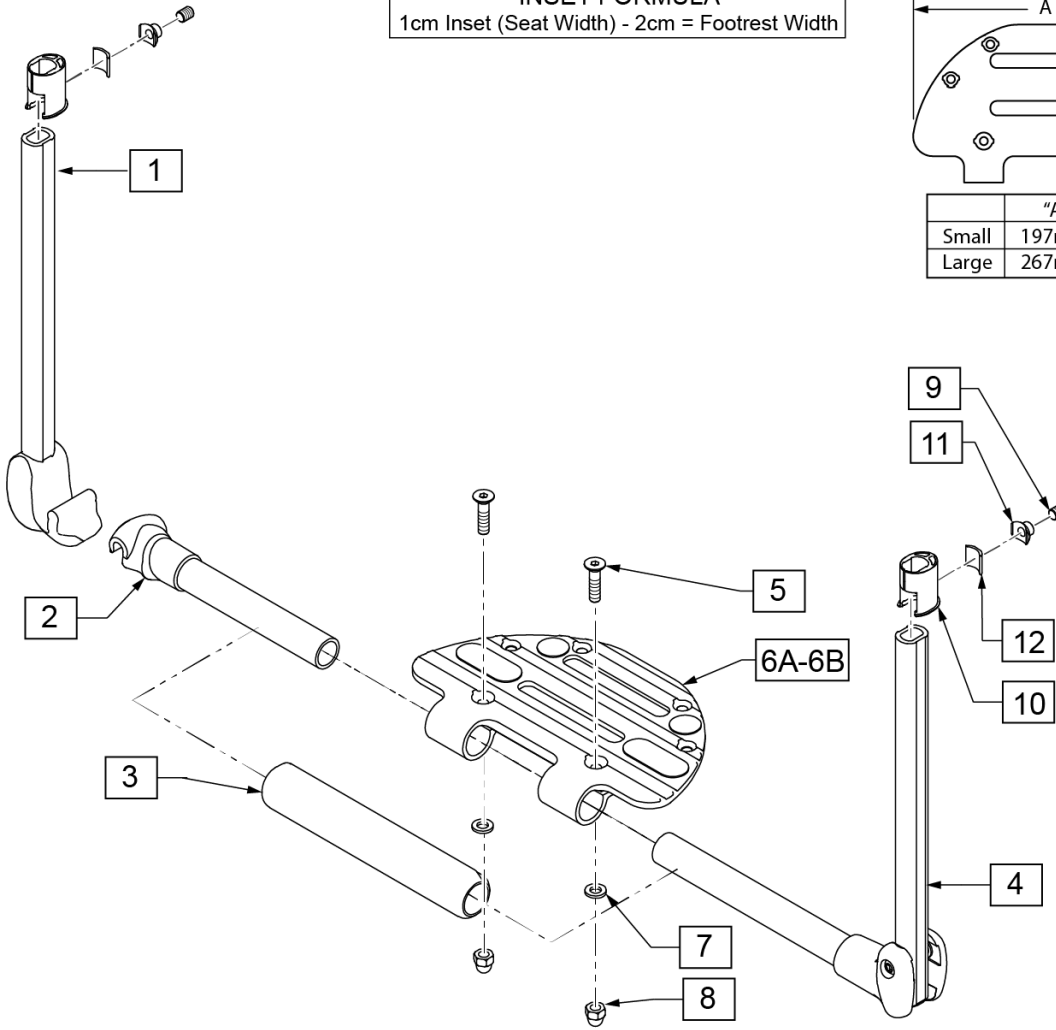
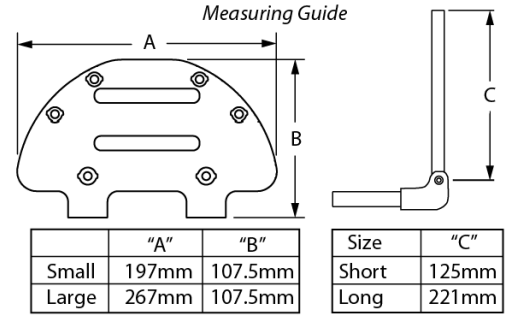
Note: for Fixed Front Frame style only verify if inset is selected on the chair; Std/Long extension length is not available on Fixed Front w/ a 1cm inset due to interference with the bend in the frame to achieve that inset.



Pos.	Item Number	Description	Remarks
1,2,7,8	163036	PLTFRM COMP PLATE 32/34 CM	
1,2,7,8	163037	PLTFRM COMP PLATE 36/38 CM	
1,2,7,8	163038	PLTFRM COMP PLATE 40/42 CM	
1,2,7,8	163039	PLTFRM COMP PLATE 44-50 CM	
5-8	06802227	FOOTREST CLAMP	
14-17	068890	STOP BRACKET FOR FOOTBOARD	Pair
18	068236	FITTING ACCESSORIES	Double D Fitting; Pair; used on Fixed Front & Hybrid Dual Tube
1-8,13	163040	PLTFRM FOOTREST SHT COMP 32W	Short
1-8,13	163041	PLTFRM FOOTREST SHT COMP 34W	Short
1-8,13	163042	PLTFRM FOOTREST SHT COMP 36W	Short
1-8,13	163043	PLTFRM FOOTREST SHT COMP 38W	Short
1-8,13	163044	PLTFRM FOOTREST SHT COMP 40W	Short
1-8,13	163045	PLTFRM FOOTREST SHT COMP 42W	Short
1-8,13	163046	PLTFRM FOOTREST SHT COMP 44W	Short

Pos.	Item Number	Description	Remarks
1-8,13	163047	PLTFRM FOOTREST SHT COMP 46W	Short
1-8,13	163048	PLTFRM FOOTREST SHT COMP 48W	Short
1-8,13	163049	PLTFRM FOOTREST COMP SHT 50W	Short
1-8,13	163050	PLTFRM FOOTREST COMP LNG 32W	Std/Long
1-8,13	163051	PLTFRM FOOTREST COMP LNG 34W	Std/Long
1-8,13	163052	PLTFRM FOOTREST COMP LNG 36W	Std/Long
1-8,13	163053	PLTFRM FOOTREST COMP LNG 38W	Std/Long
1-8,13	163054	PLTFRM FOOTREST COMP LNG 40W	Std/Long
1-8,13	163055	PLTFRM FOOTREST COMP LNG 42W	Std/Long
1-8,13	163056	PLTFRM FOOTREST COMP LNG 44W	Std/Long
1-8,13	163057	PLTFRM FOOTREST COMP LNG 46W	Std/Long
1-8,13	163058	PLTFRM FOOTREST COMP LNG 48W	Std/Long
1-8,13	163059	PLTFRM FOOTREST COMP LNG 50W	Std/Long

INSET FORMULA
1cm Inset (Seat Width) - 2cm = Footrest Width



13 FITTING ACCESSORIES			
ITEM #	ILLUSTRATION	DESCRIPTION	QTY
9		SHSS M8X10 DPS NP	2
10		SOCKET PIPE FOOTREST	2
11		FOOTREST NUT	2
12		CLAMP	2

Pos.	Item Number	Description	Remarks
3,5,6A,7,8	162903	ULTRA LITE FOOT PLT SML	Small 32-38
3,5,6B,7,8	162904	ULTRA LITE FOOT PLT LRG	Large 40-50
3	066203-000	TUBE FRONT COVER	
4	068207-000	FOOTREST PIVOT ASSY LEFT SIDE	
13	068236	FITTING ACCESSORIES	Double D Fitting; Pair; used on Fixed Front & Hybrid Dual Tube
1-5,6A,7,8	162915	PLTFRM ULTRA LT FTPLT SHT 32	Short
1-5,6A,7,8	162916	PLTFRM ULTRA LT FTPLT SHT 34	Short
1-5,6A,7,8	162917	PLTFRM ULTRA LT FTPLT SHT 36	Short
1-5,6A,7,8	162918	PLTFRM ULTRA LT FTPLT SHT 38	Short
1-5,6A,7,8	162919	PLTFRM ULTRA LT FTPLT SHT 40	Short
1-5,6A,7,8	162920	PLTFRM ULTRA LT FTPLT SHT 42	Short
1-5,6A,7,8	162921	PLTFRM ULTRA LT FTPLT SHT 44	Short
1-5,6A,7,8	162922	PLTFRM ULTRA LT FTPLT SHT 46	Short
1-5,6A,7,8	162923	PLTFRM ULTRA LT FTPLT SHT 48	Short
1-5,6A,7,8	162924	PLTFRM ULTRA LT FTPLT SHT 50	Short
1-5,6B,7,8	162905	PLTFRM ULTRA LT FTPLT STD 32	Standard
1-5,6B,7,8	162906	PLTFRM ULTRA LT FTPLT STD 34	Standard
1-5,6B,7,8	162907	PLTFRM ULTRA LT FTPLT STD 36	Standard
1-5,6B,7,8	162908	PLTFRM ULTRA LT FTPLT STD 38	Standard

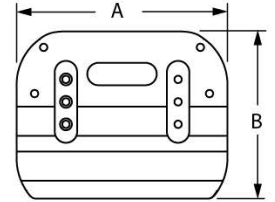
Pos.	Item Number	Description	Remarks
1-5,6B,7,8	162909	PLTFRM ULTRA LT FTPLT STD 40	Standard
1-5,6B,7,8	162910	PLTFRM ULTRA LT FTPLT STD 42	Standard
1-5,6B,7,8	162911	PLTFRM ULTRA LT FTPLT STD 44	Standard
1-5,6B,7,8	162912	PLTFRM ULTRA LT FTPLT STD 46	Standard
1-5,6B,7,8	162913	PLTFRM ULTRA LT FTPLT STD 48	Standard
1-5,6B,7,8	162914	PLTFRM ULTRA LT FTPLT STD 50	Standard

Note: for Fixed Front Frame style only verify if inset is selected on the chair; Std/Long extension length is not available on Fixed Front w/ a 1cm inset due to interference with the bend in the frame to achieve that inset.

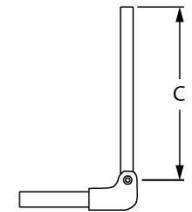
INSET FORMULA

1cm Inset (Seat Width) - 2cm = Footrest Width

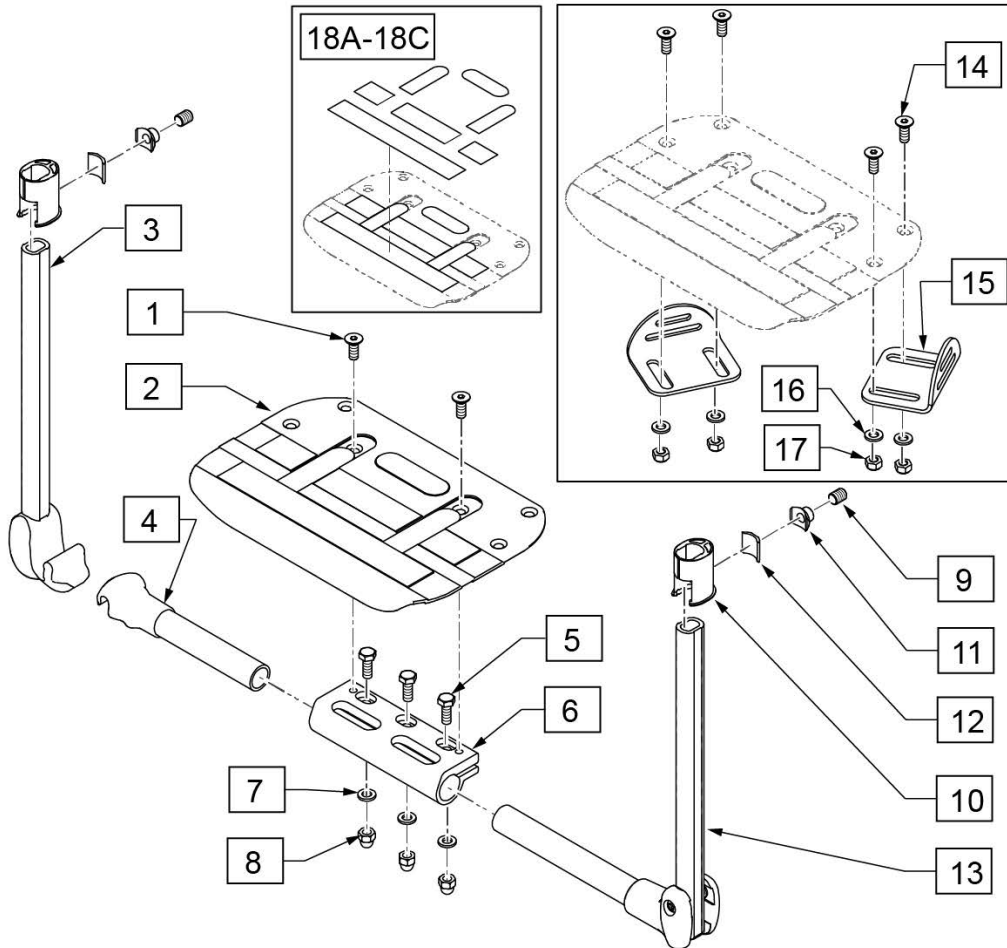
Measuring Guide



Size	"A"	"B"
Small	188mm	149mm
Medium	228mm	149mm
Large	268mm	149mm



Size	"C"
Short	125mm
Long	221mm



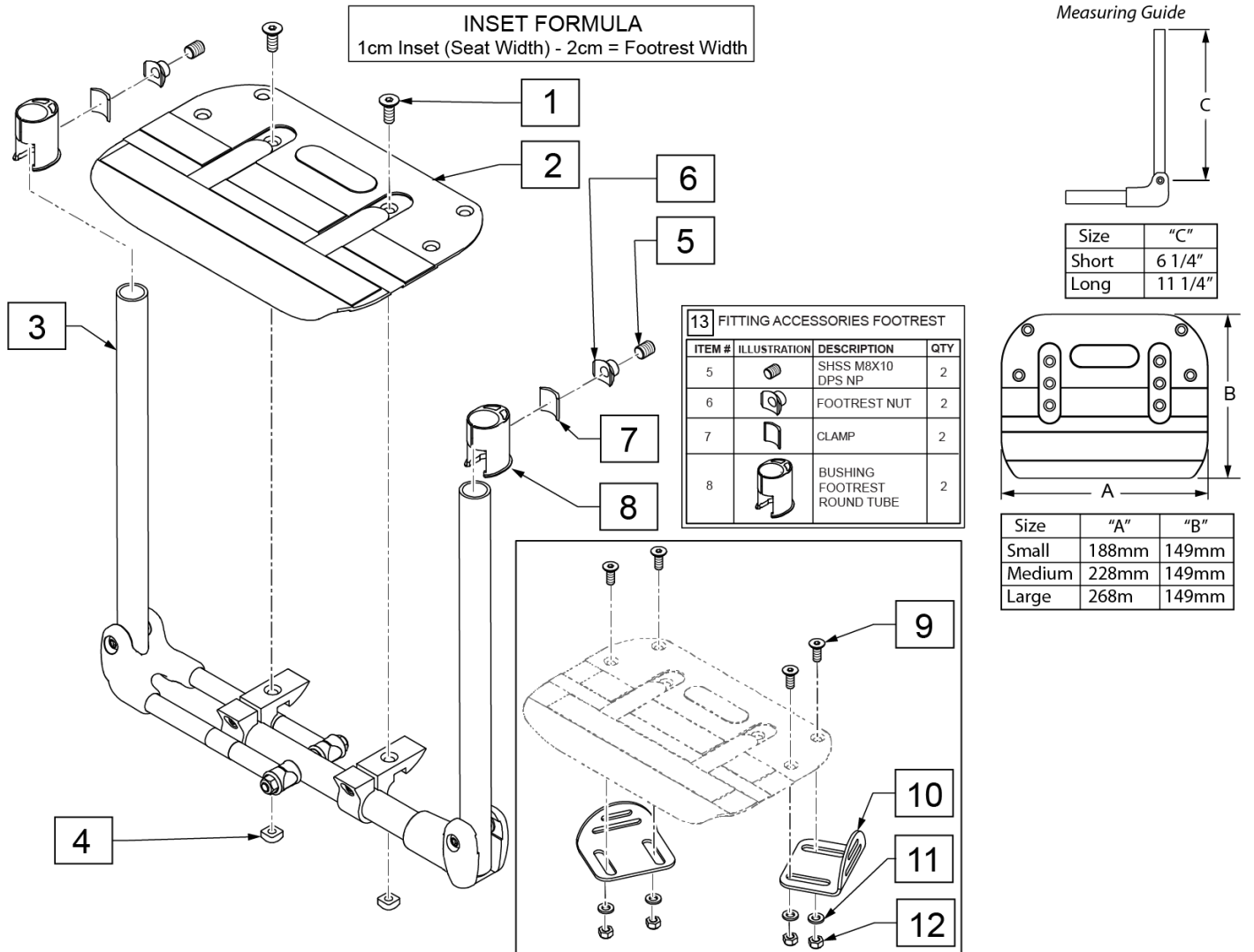
19 FITTING ACCESSORIES			
ITEM #	ILLUSTRATION	DESCRIPTION	QTY
9		SHSS M8X10 DPS NP	2
10		SOCKET PIPE FOOTREST	2
11		FOOTREST NUT	2
12		CLAMP	2

Pos.	Item Number	Description	Remarks
5-8	06802227	FOOTREST CLAMP	
14-17	068890	STOP BRACKET FOR FOOTBOARD	
18A	132004	ANTISLIP STCKR CRBN FTPT S KIT	Small; Kit: SW32+40 w/0 inset, SW32+34+36+38 w/1 inset
18B	132005	ANTISLIP STCKR CRBN FTPT M KIT	Medium; Kit: SW36+38 w/0 inset, SW40+42 w/1 inset
18C	132006	ANTISLIP STCKR CRBN FTPT L KIT	Large; Kit: SW40+42+44+46 w/0 inset, SW44+46 w/1 inset
19	068236	FITTING ACCESSORIES	Double D Fitting; Pair; used on Fixed Front & Hybrid Dual Tube
1,2,18	162925	PLTFRM CARB PLATE 32/34 CM	Small
1,2,18	162926	PLTFRM CARB PLATE 36/38 CM	Medium
1,2,18	162927	PLTFRM CARB PLATE 40-50 CM	Large
1-8,13,18	162928	PLTFRM FOOTREST CARBON SHT 32W	Short
1-8,13,18	162929	PLTFRM FOOTREST CARBON SHT 34W	Short
1-8,13,18	162930	PLTFRM FOOTREST CARBON SHT 36W	Short
1-8,13,18	162931	PLTFRM FOOTREST CARBON SHT 38W	Short
1-8,13,18	162932	PLTFRM FOOTREST CARBON SHT 40W	Short

Pos.	Item Number	Description	Remarks
1-8,13,18	162933	PLTFRM FOOTREST CARBON SHT 42W	Short
1-8,13,18	162934	PLTFRM FOOTREST CARBON SHT 44W	Short
1-8,13,18	162935	PLTFRM FOOTREST CARBON SHT 46W	Short
1-8,13,18	162936	PLTFRM FOOTREST CARBON SHT 48W	Short
1-8,13,18	162937	PLTFRM FOOTREST CARBON SHT 50W	Short
1-8,13,18	162938	PLTFRM FOOTREST CARBON LNG 32W	Std/Long
1-8,13,18	162939	PLTFRM FOOTREST CARBON LNG 34W	Std/Long
1-8,13,18	162940	PLTFRM FOOTREST CARBON LNG 36W	Std/Long
1-8,13,18	162941	PLTFRM FOOTREST CARBON LNG 38W	Std/Long
1-8,13,18	162942	PLTFRM FOOTREST CARBON LNG 40W	Std/Long
1-8,13,18	162943	PLTFRM FOOTREST CARBON LNG 42W	Std/Long
1-8,13,18	162944	PLTFRM FOOTREST CARBON LNG 44W	Std/Long
1-8,13,18	162945	PLTFRM FOOTREST CARBON LNG 46W	Std/Long
1-8,13,18	162946	PLTFRM FOOTREST CARBON LNG 48W	Std/Long
1-8,13,18	162947	PLTFRM FOOTREST CARBON LNG 50W	Std/Long

Note: for Fixed Front Frame style only verify if inset is selected on the chair; Std/Long extension length is not available on Fixed Front w/ a 1cm inset due to interference with the bend in the frame to achieve that inset.

Note: Tubing diameter is 19mm or 3/4" round. When retro-fitting from a platform style footrest order 066917to convert from "D" style footrest tubes.

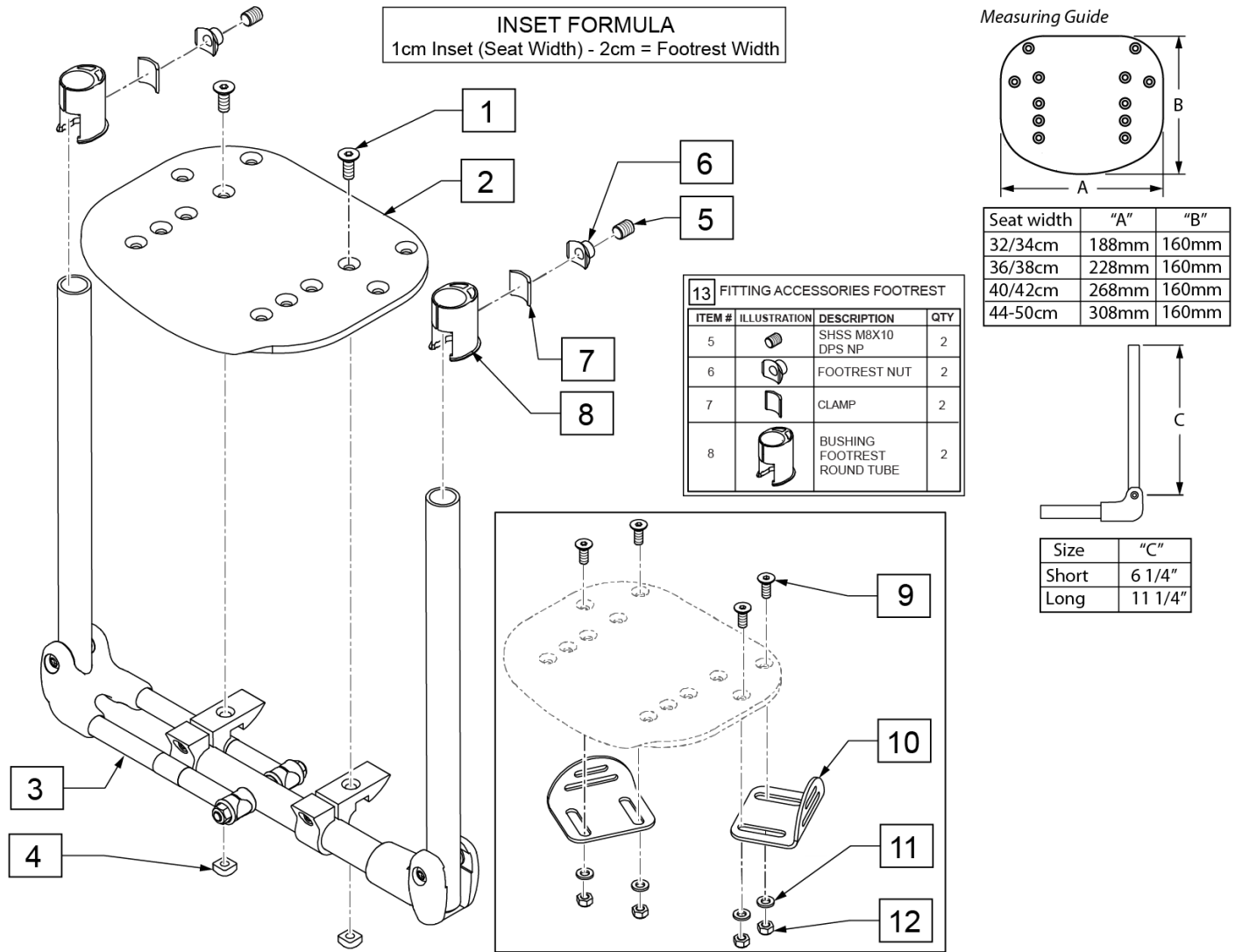


Pos.	Item Number	Description	Remarks
1,2,4	162925	PLTFRM CARB PLATE 32/34 CM	Small
1,2,4	162926	PLTFRM CARB PLATE 36/38 CM	Medium
1,2,4	162927	PLTFRM CARB PLATE 40-50 CM	Large
9-12	068890	STOP BRACKET FOR FOOTBOARD	2 pcs/pack
13	066917	FITTING ACCESSORIES FOOTREST	Round Fitting; Pair
1-4	162948	AUTO FOLD CARBON FP SHT 32	Short
1-4	162949	AUTO FOLD CARBON FP SHT 34	Short
1-4	162950	AUTO FOLD CARBON FP SHT 36	Short
1-4	162951	AUTO FOLD CARBON FP SHT 38	Short

Pos.	Item Number	Description	Remarks
1-4	162952	AUTO FOLD CARBON FP SHT 40	Short
1-4	162953	AUTO FOLD CARBON FP SHT 42	Short
1-4	162954	AUTO FOLD CARBON FP SHT 44	Short
1-4	162955	AUTO FOLD CARBON FP SHT 46	Short
1-4	162956	AUTO FOLD CARBON FP SHT 48	Short
1-4	162957	AUTO FOLD CARBON FP SHT 50	Short
1-4	162958	AUTO FOLD CARBON FP LNG 32	Std/Long
1-4	162959	AUTO FOLD CARBON FP LNG 34	Std/Long
1-4	162960	AUTO FOLD CARBON FP LNG 36	Std/Long
1-4	162961	AUTO FOLD CARBON FP LNG 38	Std/Long
1-4	162962	AUTO FOLD CARBON FP LNG 40	Std/Long
1-4	162963	AUTO FOLD CARBON FP LNG 42	Std/Long
1-4	162964	AUTO FOLD CARBON FP LNG 44	Std/Long
1-4	162965	AUTO FOLD CARBON FP LNG 46	Std/Long
1-4	162966	AUTO FOLD CARBON FP LNG 48	Std/Long
1-4	162967	AUTO FOLD CARBON FP LNG 50	Std/Long

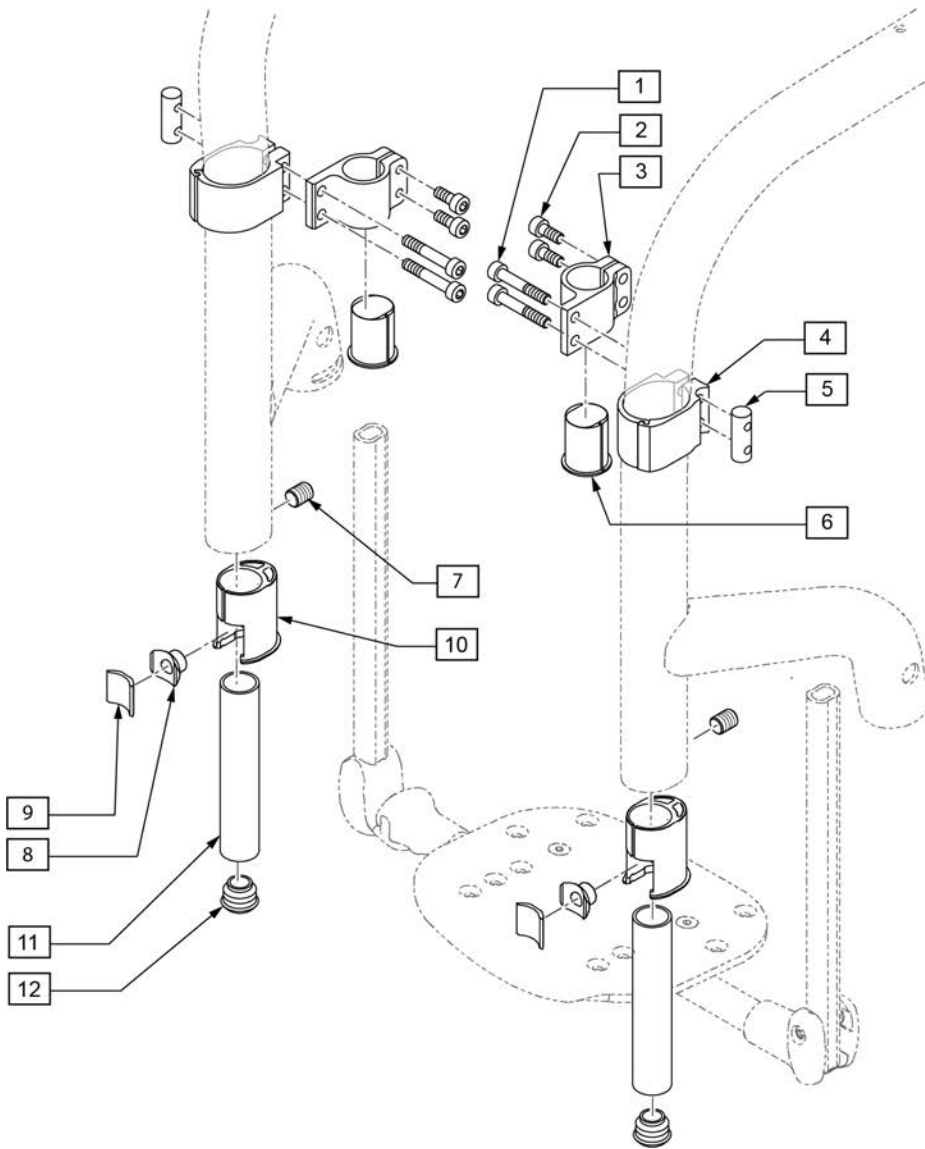
Note: for Fixed Front Frame style only verify if inset is selected on the chair; Std/Long extension length is not available on Fixed Front w/ a 1cm inset due to interference with the bend in the frame to achieve that inset.

Note: Tubing diameter is 19mm or 3/4" round. When retro-fitting from a platform style footrest order 066917to convert from "D" style footrest tubes.



Pos.	Item Number	Description	Remarks
1,2,4	163036	PLTFRM COMP PLATE 32/34 CM	
1,2,4	163037	PLTFRM COMP PLATE 36/38 CM	
1,2,4	163038	PLTFRM COMP PLATE 40/42 CM	
1,2,4	163039	PLTFRM COMP PLATE 44-50 CM	
9-12	068890	STOP BRACKET FOR FOOTBOARD	2 pcs/pack
13	066917	FITTING ACCESSORIES FOOTREST	Round Fitting; Pair
1-4	162968	AUTO FOLD COMP FP SHT 32	Short
1-4	162969	AUTO FOLD COMP FP SHT 34	Short
1-4	162970	AUTO FOLD COMP FP SHT 36	Short

Pos.	Item Number	Description	Remarks
1-4	162971	AUTO FOLD COMP FP SHT 38	Short
1-4	162972	AUTO FOLD COMP FP SHT 40	Short
1-4	162973	AUTO FOLD COMP FP SHT 42	Short
1-4	162974	AUTO FOLD COMP FP SHT 44	Short
1-4	162975	AUTO FOLD COMP FP SHT 46	Short
1-4	162976	AUTO FOLD COMP FP SHT 48	Short
1-4	162977	AUTO FOLD COMP FP SHT 50	Short
1-4	162978	AUTO FOLD COMP FP LNG 32	Std/Long
1-4	162979	AUTO FOLD COMP FP LNG 34	Std/Long
1-4	162980	AUTO FOLD COMP FP LNG 36	Std/Long
1-4	162981	AUTO FOLD COMP FP LNG 38	Std/Long
1-4	162982	AUTO FOLD COMP FP LNG 40	Std/Long
1-4	162983	AUTO FOLD COMP FP LNG 42	Std/Long
1-4	162984	AUTO FOLD COMP FP LNG 44	Std/Long
1-4	162985	AUTO FOLD COMP FP LNG 46	Std/Long
1-4	162986	AUTO FOLD COMP FP LNG 48	Std/Long
1-4	162987	AUTO FOLD COMP FP LNG 50	Std/Long



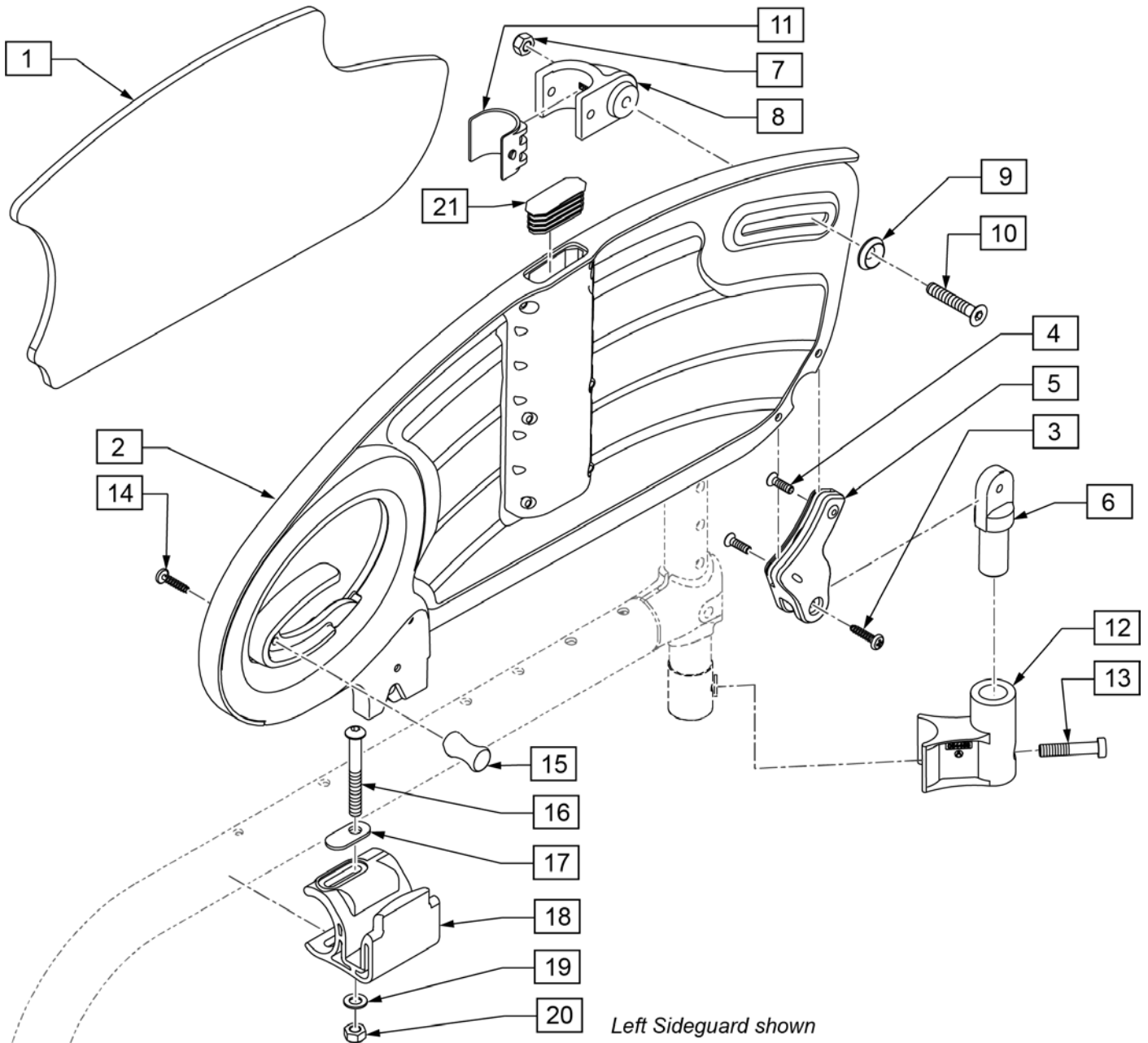
13 FITTING ACCESSORIES FOOTREST			
ITEM #	ILLUSTRATION	DESCRIPTION	QTY
7		SHSS M8X10 DPS NP	2
8		FOOTREST NUT	2
9		CLAMP	2
10		BUSHING FOOTREST ROUND TUBE	2

Pos.	Item Number	Description	Remarks
1-6	066213	FOOTREST CLAMP	
11	066224	INSIDE TUBE FOR FOOTREST	
12	000282042	LAMELLA CAP 18 BLACK PE	
13	066917	FITTING ACCESSORIES FOOTREST	Round Fitting, Pair; used on Fixed Front & Hybrid Dual Tube

[05/21/2021]

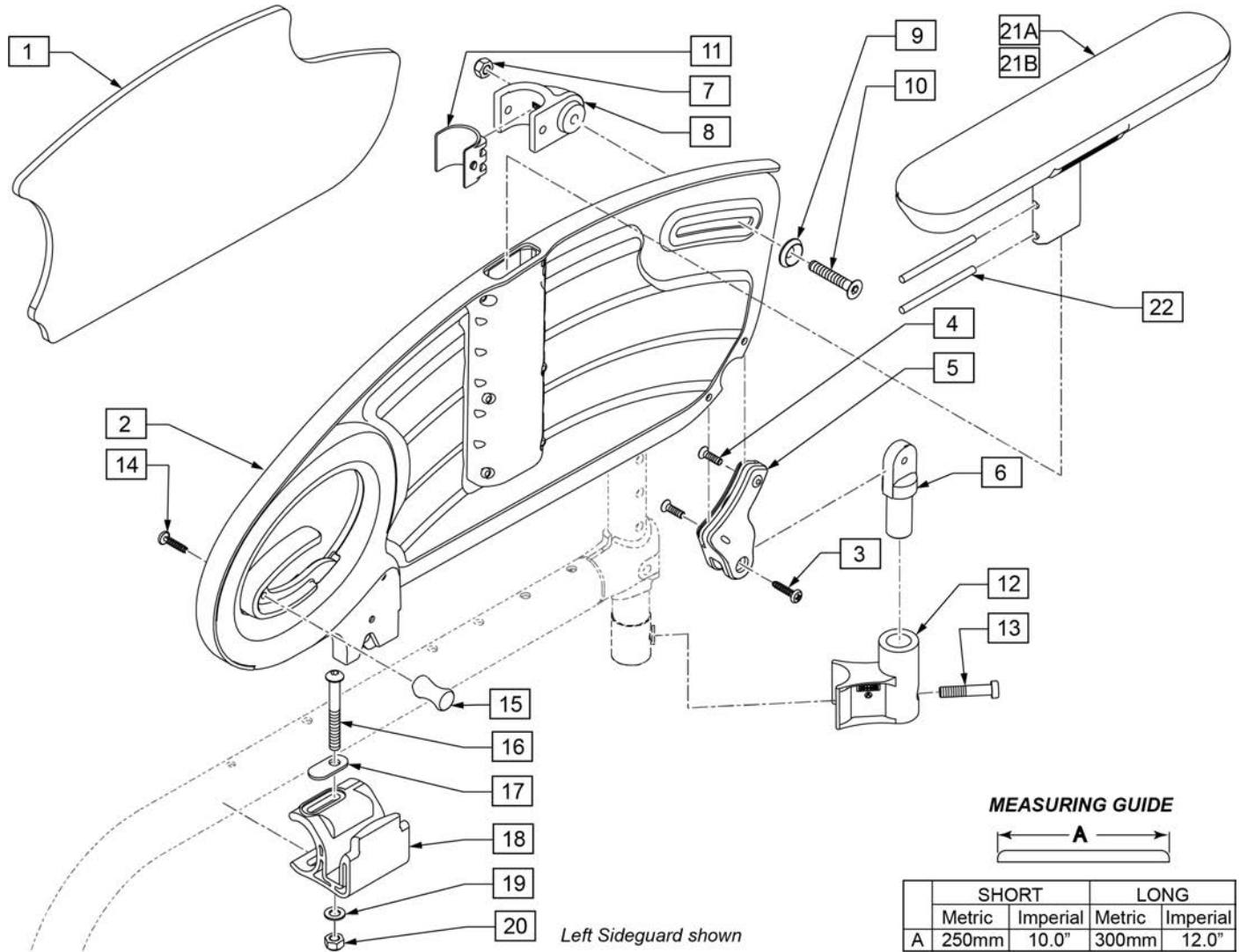
Note: High Mount Footrest Clamp only available on Platform Aluminum Angle Adj and Platform Composite Footplates and only for Fixed Front and Hybrid frames.

Note: if retrofitting on a chair that was not initially built with this option, SG Back Tubes must also be purchased (refer to parts pages STANDARD BACKREST and ANGLE ADJUSTABLE BACKREST).

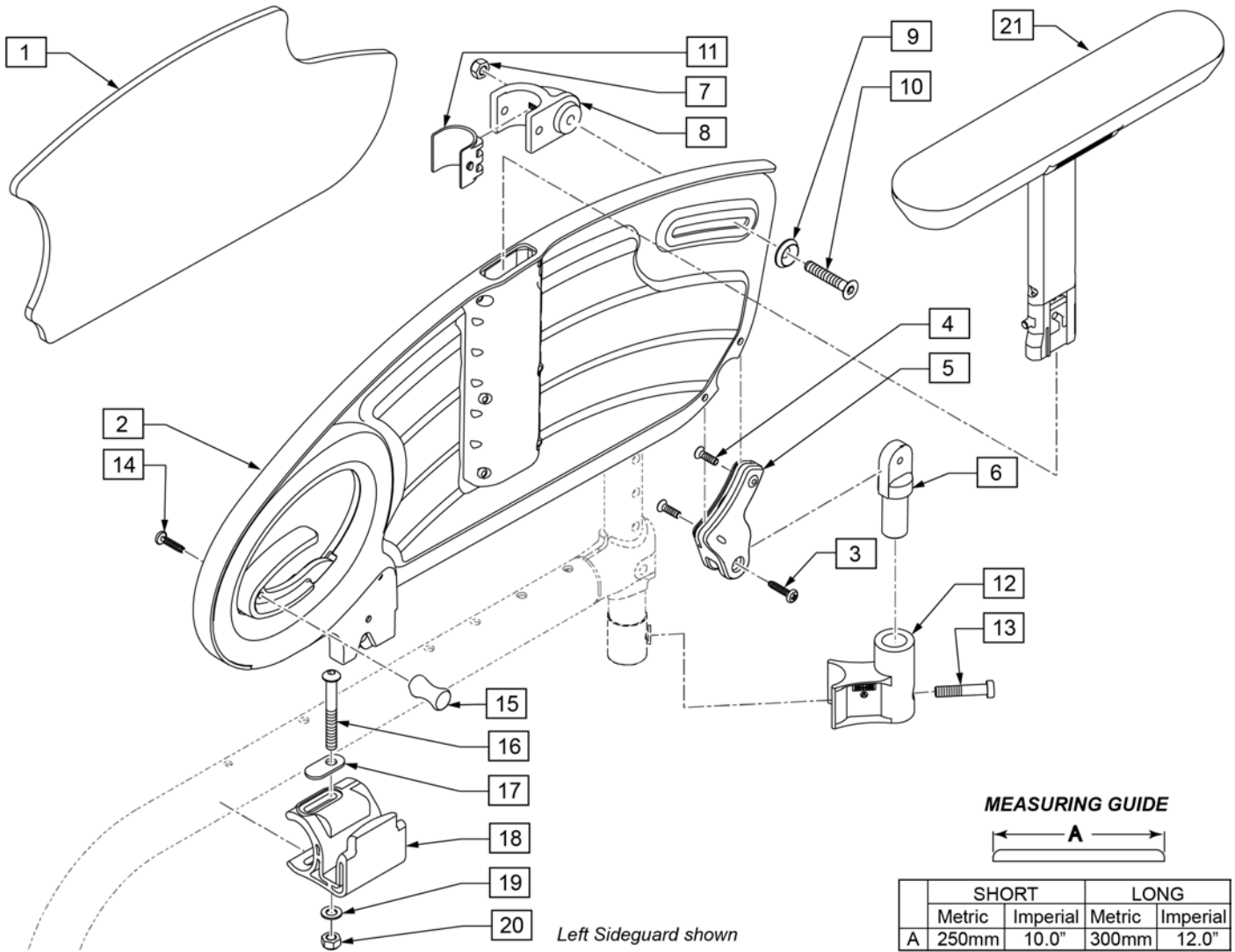


Pos.	Item Number	Description	Remarks
1-21	163158S	DESK SIDEGRD FLIP UP RH	
1-21	163159S	DESK SIDEGRD FLIP UP LH	
11	054425	U BUSHING	
14,15	054493-010	TETRA HANDLE SIDE PART	Quad Release option
21	054430	SIDE GUARD CAP	

Note: if retrofitting on a chair that was not initially built with this option, SG Back Tubes must also be purchased (refer to parts pages STANDARD BACKREST and ANGLE ADJUSTABLE BACKREST).



Pos.	Item Number	Description	Remarks
1-21	163160S	DESK SDGRD FXD PAD FLIP SHT RH	
1-21	163161S	DESK SDGRD FXD PAD FLIP SHT LH	
1-21	163162S	DESK SDGRD FXD PAD FLIP LNG RH	
1-21	163163S	DESK SDGRD FXD PAD FLIP LNG LH	
11	054425	U BUSHING	
21A	054428-001	SHORT FIXED ARMPOST	includes both sides
21B	054428-002	LONG FIXED ARMPOST	includes both sides
14,15	054493-010	TETRA HANDLE SIDE PART	Quad Release option

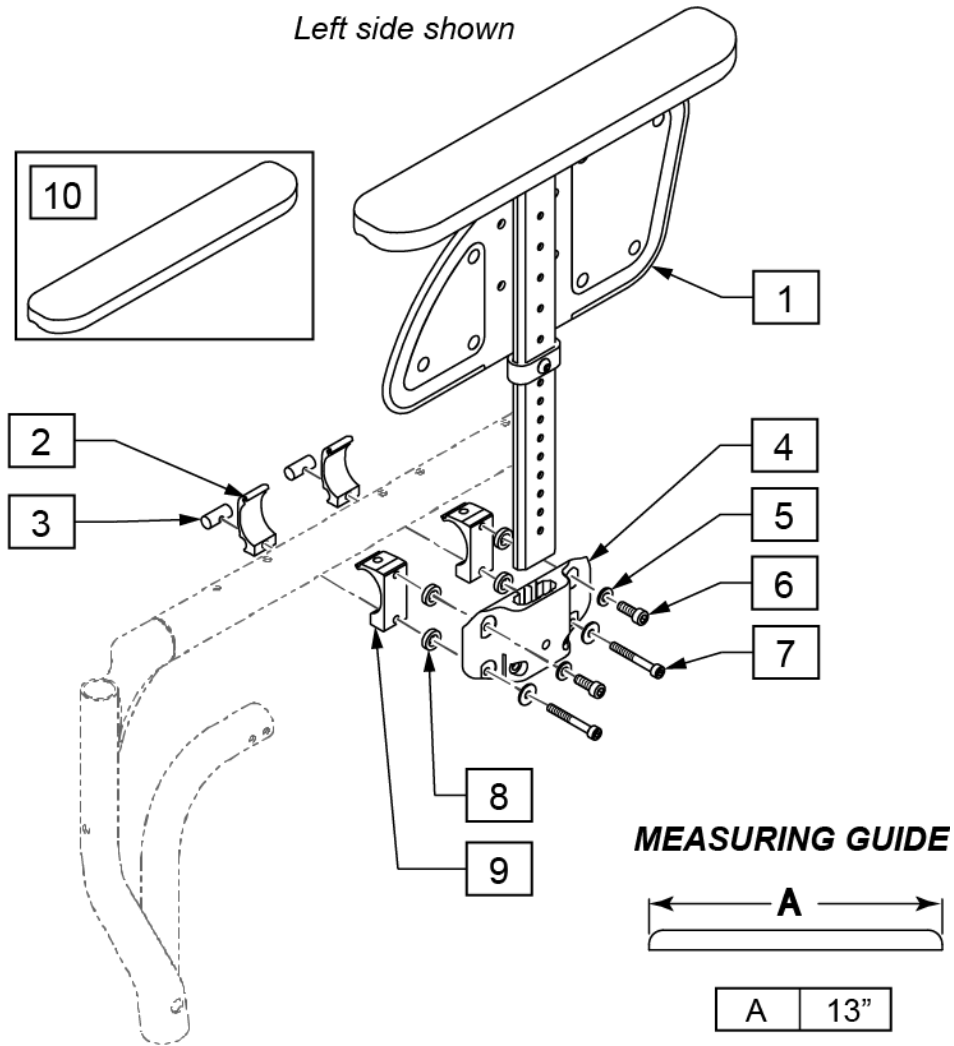


Pos.	Item Number	Description	Remarks
1-21	163164S	DESK SDGRD ADJ PAD FLIP SHT RH	Right
1-21	163165S	DESK SDGRD ADJ PAD FLIP SHT LH	Left
1-21	163166S	DESK SDGRD ADJ PAD FLIP LNG RH	Right
1-21	163167S	DESK SDGRD ADJ PAD FLIP LNG LH	Left
11	054425	U BUSHING	
14,15	054493-010	TETRA HANDLE SIDE PART	Quad Release option
21A	054449-001	SHRT ARMPAD HGHT ADJ PAIR	Pair
21B	054449-002	LNG ARMPAD HGHT ADJ PAIR	Pair
21B	054449-003	LNG ARM PAD HGHT ADJ R	Right
21B	054449-004	LNG ARM PAD HGHT ADJ L	Left

[12/17/2018]

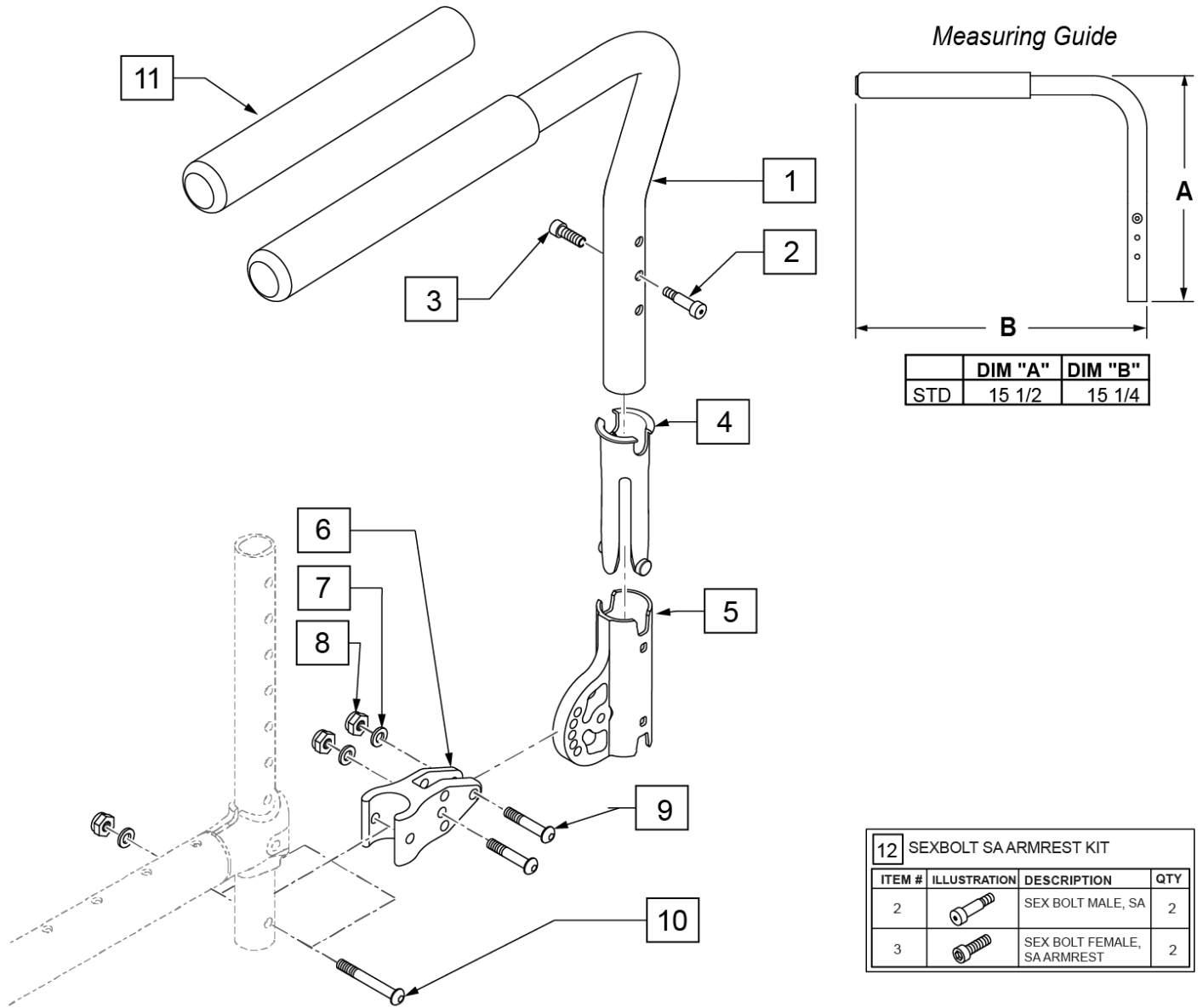
Note: if retrofitting on a chair that was not initially built with this option, SG Back Tubes must also be purchased (refer to parts pages STANDARD BACKREST and ANGLE ADJUSTABLE BACKREST).

Note: Sideguard Height Adjustment range is 8"-13"; Depth Adjustment range dependent on specific chair configuration and options selected.

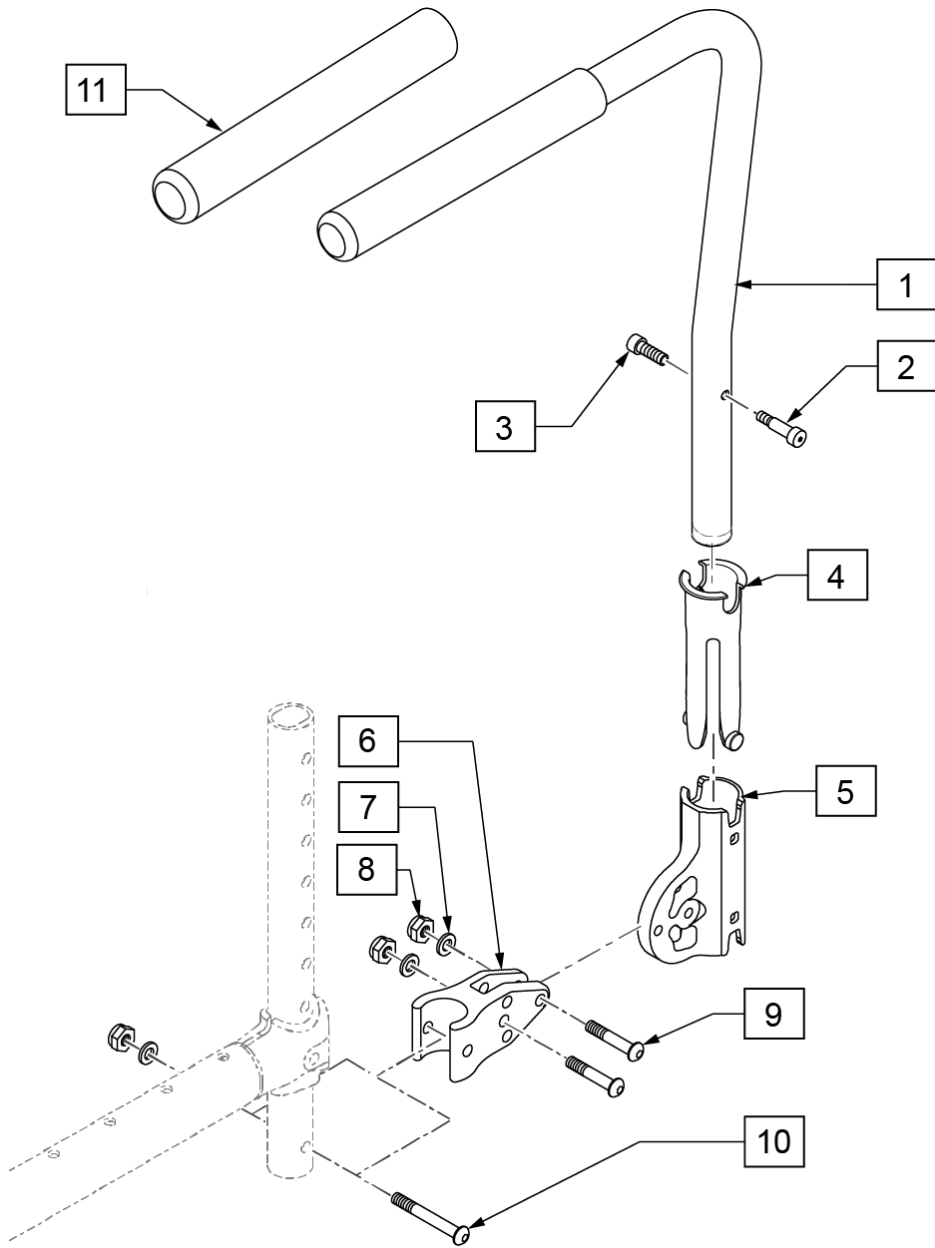


Pos.	Item Number	Description	Remarks
1	067870-001	SIDEGUARD LEFT (TOOL HEIGHT)	Left
1	067870-002	SIDEGUARD RIGHT (TOOL HEIGHT)	Right
2-9	066973	EU SPHA RECEIVER ASSY	2 pcs/pack
10	067925	ARMPAD CPLT RH/LH	Universal; with Mounting Hardware

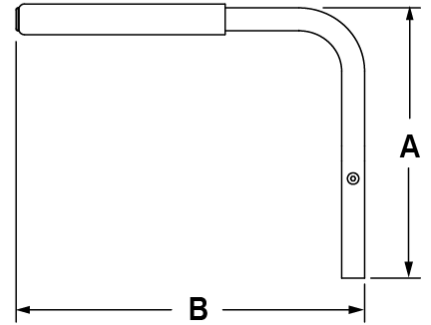
Note: if retrofitting on a chair that was not initially built with this option, SG Back Tubes must also be purchased (refer to parts pages STANDARD BACKREST and ANGLE ADJUSTABLE BACKREST).



Pos.	Item Number	Description	Remarks
1-3	111153	S/A ARM LOW W/BOLT R	Right - Std w/grip
1-3	111154	S/A ARM LOW W/BOLT L	Left - Std w/grip
4	129069	SLEEVE, SWING AWAY ARMREST	
5	121916	RECEIVER MOUNT HD	
11	920070	9X.940X.200 FOAM GRIP	1 grip for replacement only
12	108118	SEXBOLT SA ARMREST KIT (2)	Pair
1-10	162988	PADDED SA ARM W/BRKT RH	Right
1-10	162989	PADDED SA ARM W/BRKT LH	Left



Measuring Guide



	DIM "A"	DIM "B"
STD	15 1/2	15 1/4

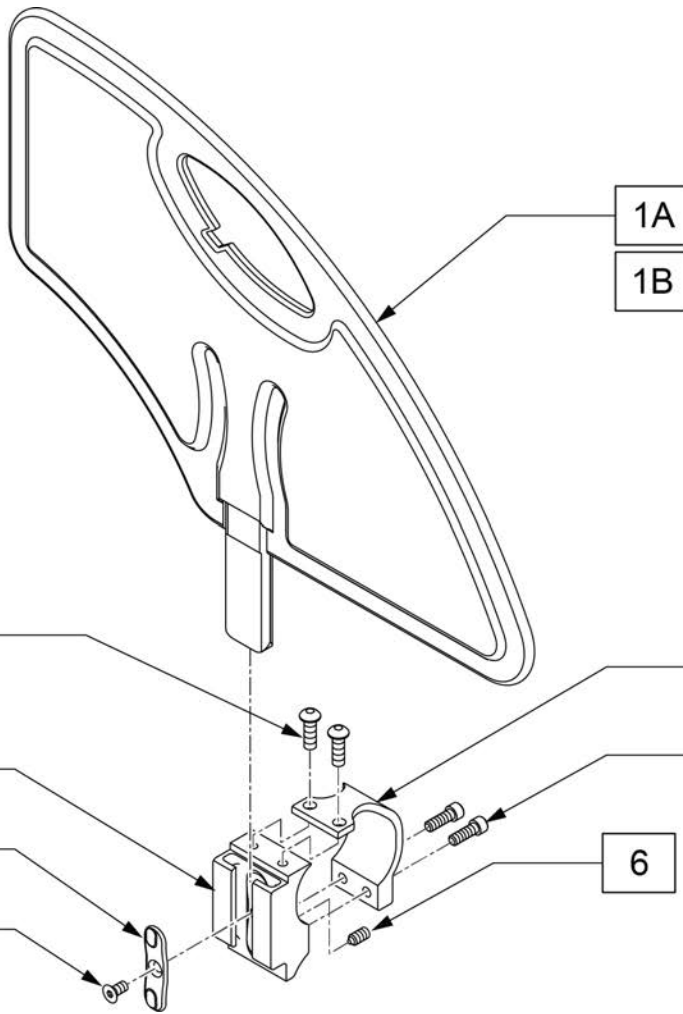
12 SEXBOLT SA ARMREST KIT			
ITEM #	ILLUSTRATION	DESCRIPTION	QTY
2		SEXBOLT MALE, SA	2
3		SEXBOLT FEMALE, SA ARMREST	2

Pos.	Item Number	Description	Remarks
1-3	162992	PADDED SA TUBE FXD W/BOLT RH	LEFT - Std w/grip
1-3	162993	PADDED SA TUBE FXD W/BOLT LH	RIGHT - Std w/grip
4	129069	SLEEVE, SWING AWAY ARMREST	
5	247162	RECEIVER MOUNT HD NON ADJ	
11	920070	9X.940X.200 FOAM GRIP	1 grip for replacement only
12	108118	SEXBOLT SA ARMREST KIT (2)	Pair
1-10	162990	PADDED SA ARM FXD W/BRKT RH	
1-10	162991	PADDED SA ARM FXD W/BRKT LH	
6-8,10	TBD	FASTENER KIT PADDED SA ARM	

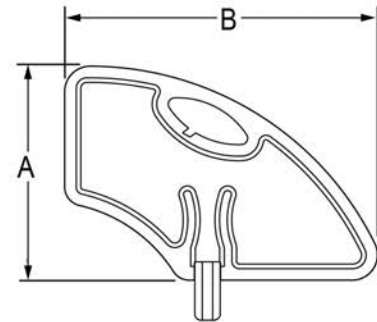
[03/05/2020]

Note: if retrofitting on a chair that was not initially built with this option, SG Back Tubes must also be purchased (refer to parts pages STANDARD BACKREST and ANGLE ADJUSTABLE BACKREST).

NOTE: Right hand side shown.



MEASURING GUIDE

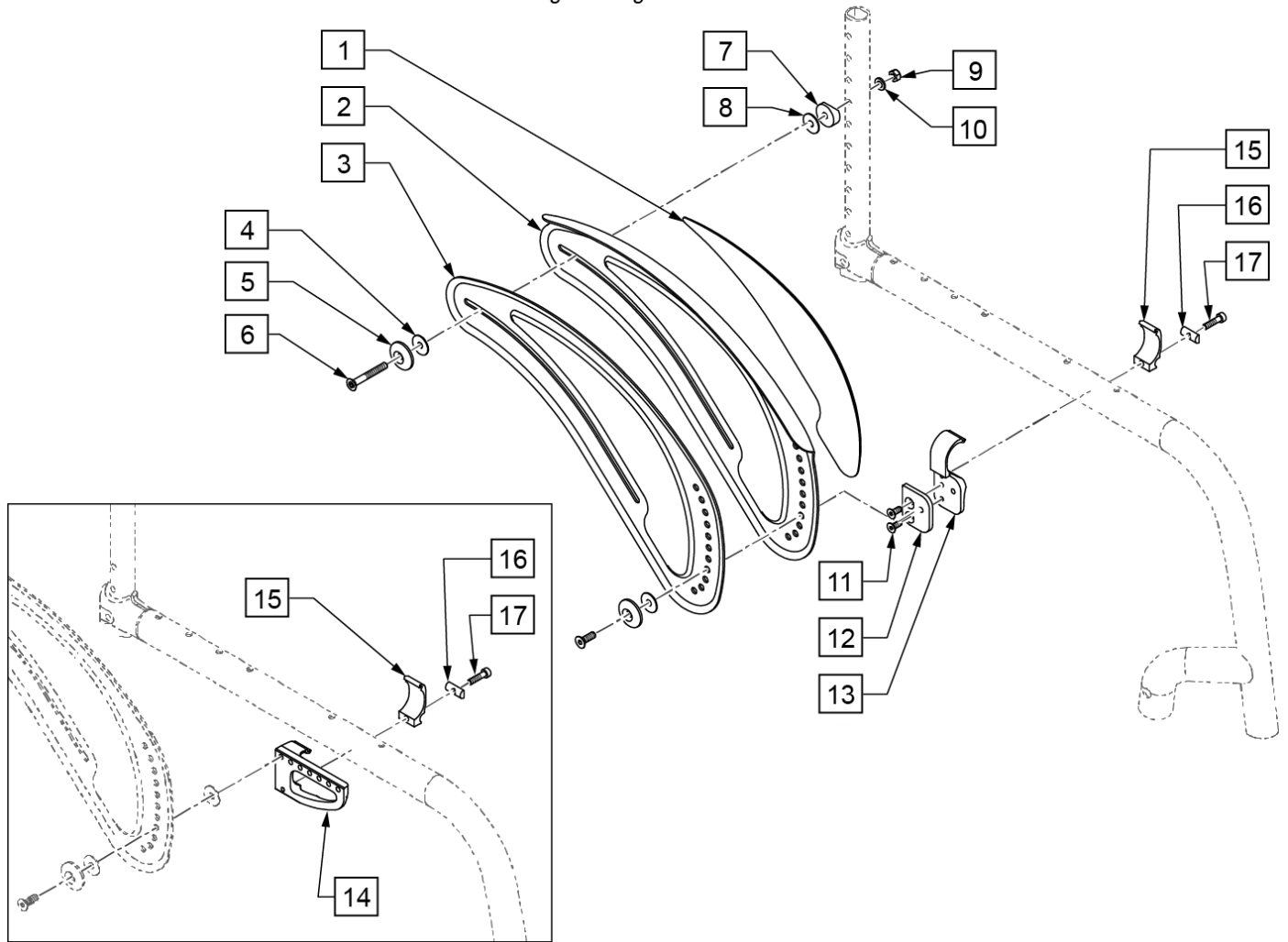


	LOW	STD
"A"	6.4"	8.4"
"B"	11.0"	12.3"

Pos.	Item Number	Description	Remarks
1A	104164-001	SIDE GUARD ASSY STD	Standard
1B	104164-002	SIDE GUARD ASSY SMALL	Low
3	112695	PLASTIC SG INNER	
4	103184-002	BHCS,M5X0.8X8,FULL,PL	
5	112697	SHCS,M5X0.8X20,FULL,PL	
6	112698	SHSS M5X0.8X8 NP	
7	108780	RECEIVER SG PLASTIC INSERT	
8	107135	FHCS #6-32 X 1/4	
2-8	115046	PLST SDE GRD REC ASSM	
2,6-8	111695	ASSY PLASTIC SG RECEIVER	
1A-8	115047	PLST SDE GRD REG W/ REC KIT (PR)	Pair-Standard
1B-8	115048	PLST SDE GRD LOW W/ REC KIT (PR)	Pair- Low

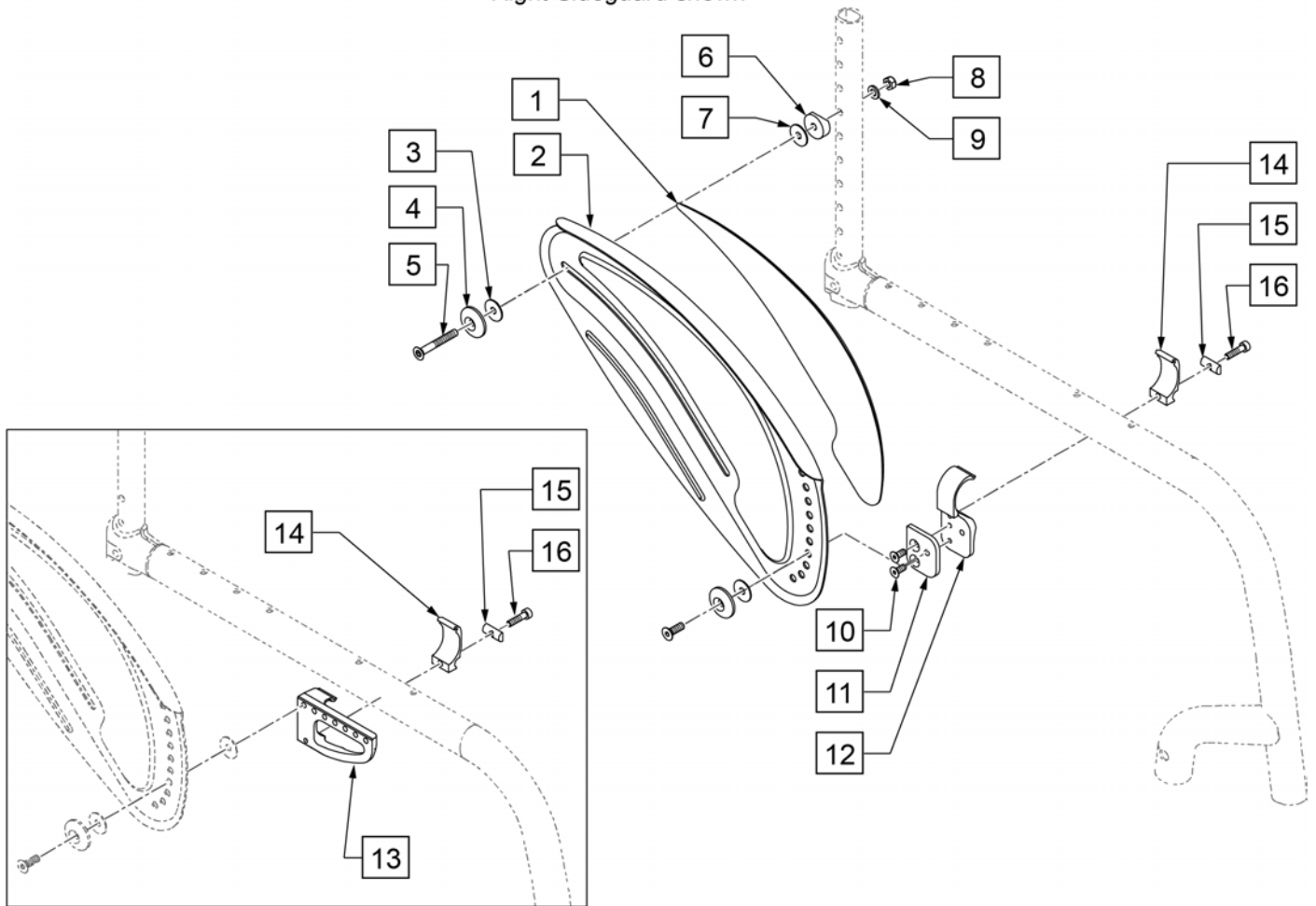
SIDEGUARD (ALUMINUM)

Right Sideguard shown

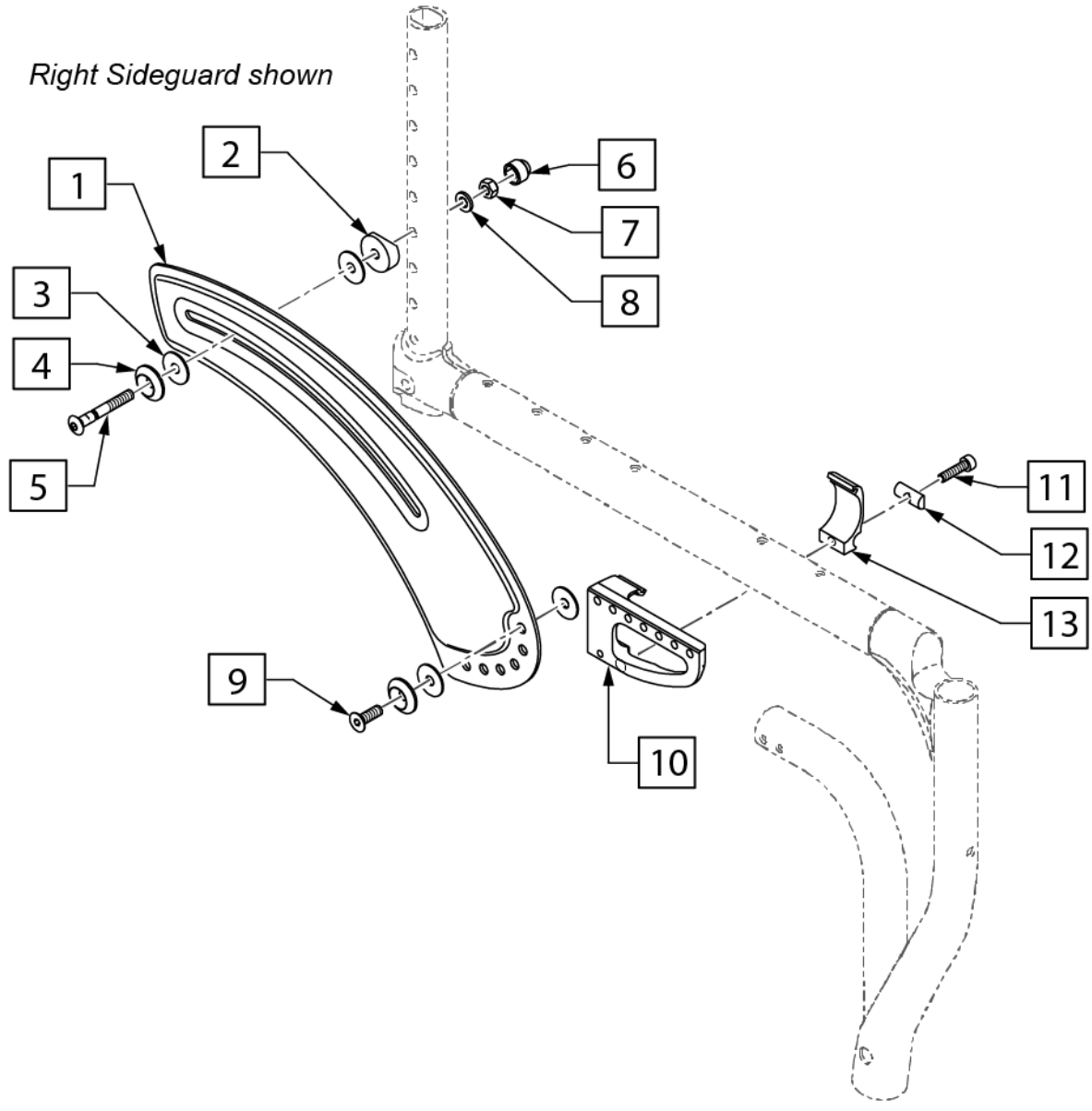


Pos.	Item Number	Description	Remarks
1,2	163060S	SIDEGUARD ALU WITH FENDER LH	Left; Specify Color
1,2	163061S	SIDEGUARD ALU WITH FENDER RH	Right; Specify Color
1,3	163062S	SIDEGUARD ALU W/O FENDER LH	Left
1,3	163063S	SIDEGUARD ALU W/O FENDER RH	Right
4-10	066936-003	MOUNT AL GROW SIDE	
14-17	066470-001	MOUNTING BRACKETS FOR SIDEGUARD	Left
14-17	066470-002	XENON FENDER BRACKET RHS	Right
11-13,15-17	066470-101	MOUNTING BRACKETS FOR SIDEGUARD - DEEP MOUNTED	Left
11-13,15-17	066470-102	MOUNTING BRACKETS FOR SIDEGUARD - DEEP MOUNTED	Right

Right Sideguard shown



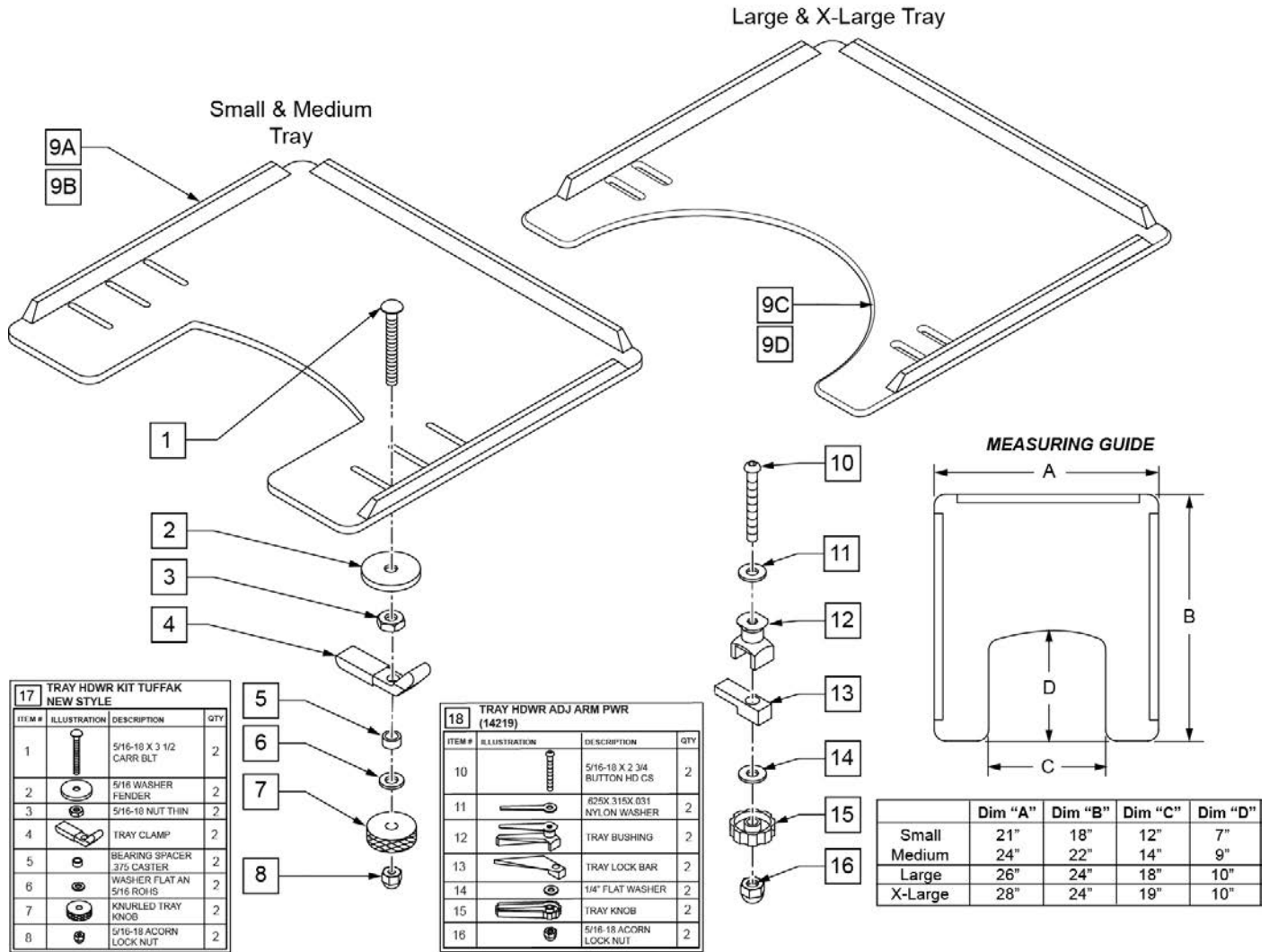
Pos.	Item Number	Description	Remarks
1,2	162994	SIDEGUARD CARBON W/FENDER RH	Right
1,2	162995	SIDEGUARD CARBON W/FENDER LH	Left
3-9	066936-003	MOUNT AL GROW SIDE	
13-16	066470-001	MOUNTING BRACKETS FOR SIDEGUARD	Left
13-16	066470-002	XENON FENDER BRACKET RHS	Right
10-12,14-16	066470-101	MOUNTING BRACKETS FOR SIDEGUARD - DEEP MOUNTED	Left
10-12,14-16	066470-102	MOUNTING BRACKETS FOR SIDEGUARD - DEEP MOUNTED	Right



Pos.	Item Number	Description	Remarks
2-9	066938	SLIMSTYLE SP MOUNT HE	
10-13	066470-001	XENON FENDER BRACKET LHS	Left
10-13	066470-002	XENON FENDER BRACKET RHS	Right
1-13	163169	SLIM STYLE SIDE GUARD LH	Left
1-13	163168	SLIM STYLE SIDE GUARD RH	Right

Note: the chair widths in the remarks are calculated by the measurement taken from the outside of the left armpad to the outside of the right armpad.

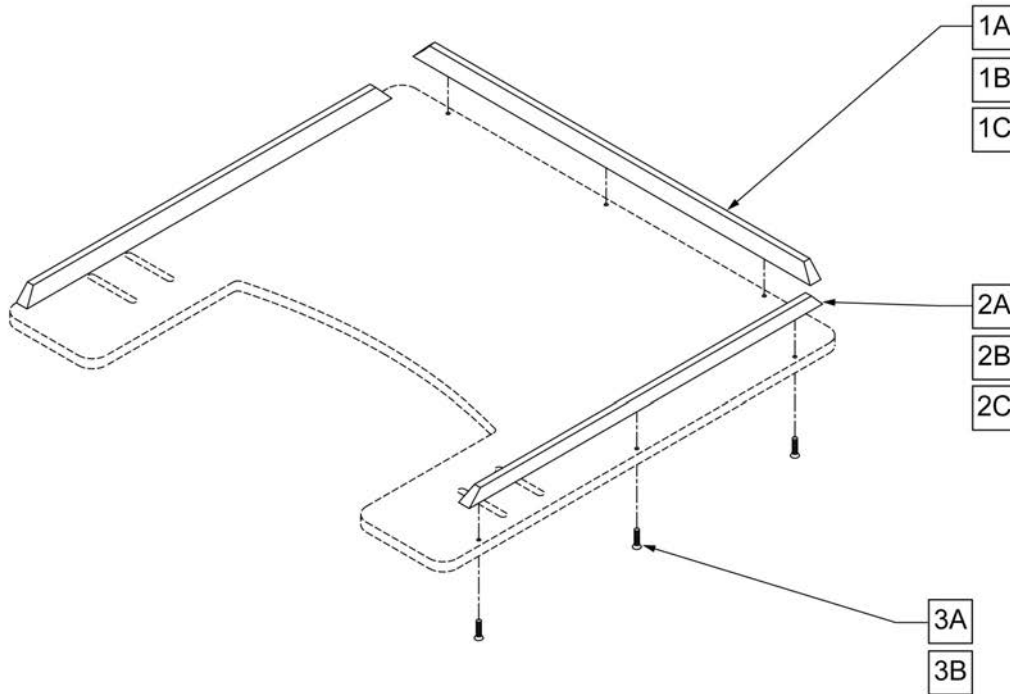
Note: Large and X-Large Trays have a round cut-out.



Pos.	Item Number	Description	Remarks
1	226199	5/16-18 x 3 1/2 CARR BOLT	
2	263112	5/16 WASHER FENDER	
3	202110	5/16-18 NUT THIN	
4	550400	TRAY CLAMP	
5	481113	SPACER 5/16 X .380	
6	263100	5/16 AN WASHER FLAT	
7	483026	KNURLED TRAY KNOB	
8	202114	5/16-18 ACORN LOCK NUT	

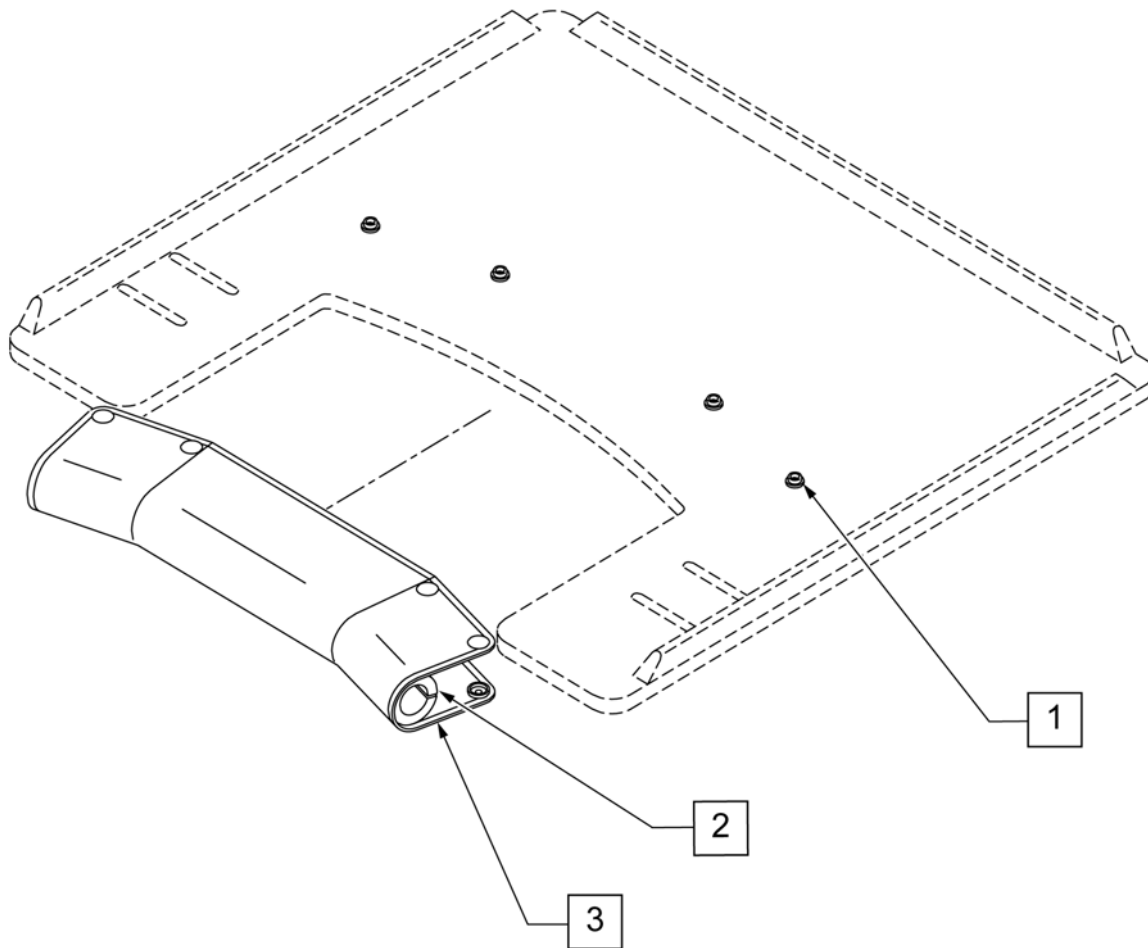
Pos.	Item Number	Description	Remarks
9A	562620	TRAY TOP SM W/RAIL	Mounting may require inverting armpads or installing hdwr to inside of tray
9B	562621	TRAY TOP MED W/RAIL	Fits 32-43cm wide chairs
9C	562622	TRAY TOP LRG W/RAIL	Fits 44-47cm wide chairs
9D	562623	TRAY TOP X-LRG W/RAIL	Fits 48-53 cm wide chairs
17	881051	TRAY HARDWARE KIT TUFFAK NEW STYLE	Pair
18	881053	TRAY HARDWARE ADJ ARM PWR (14219)	Pair
1-8,9A	902303	TRAY ASSEMBLY SM TUFFAK (13 -14")	Mounting may require inverting armpads or installing hdwr to inside of tray
1-8,9B	902304	TRAY ASSEMBLY MED TUFFAK (15 -17")	Fits 32-43cm wide chairs
1-8,9C	902305	TRAY ASSEMBLY LRG TUFFAK (18 -20")	Fits 44-47cm wide chairs
1-8,9D	902309	TRAY ASSEMBLY X-LRG TUFFAK (21 -22")	Fits 48-53cm wide chairs
9A,10-16	902331	TRAY ASSM SM TUFFAK 13-14/CAM	Mounting may require inverting armpads or installing hdwr to inside of tray
9B,10-16	902332	TRAY ASSM MED TUFFAK 15-17/CAM	Fits 32-43cm wide chairs
9C,10-16	902333	TRAY ASSM LRG TUFFAK 18-20/CAM	Fits 44-47cm wide chairs

NOTE: ONE 19" RIB AND TWO 15 1/2" RIBS FIT THE EXTRA-SMALL, SMALL, 9-0 AND 9-1 TRAY TABLES. ONE 21" RIB AND TWO 19" RIBS FIT THE MEDIUM AND 9-2 TRAY TABLES. ONE 23 1/2" RIB AND TWO 21" RIBS FIT THE LARGE, 9-2, 9-5, AND 9-6 TRAY TABLES.

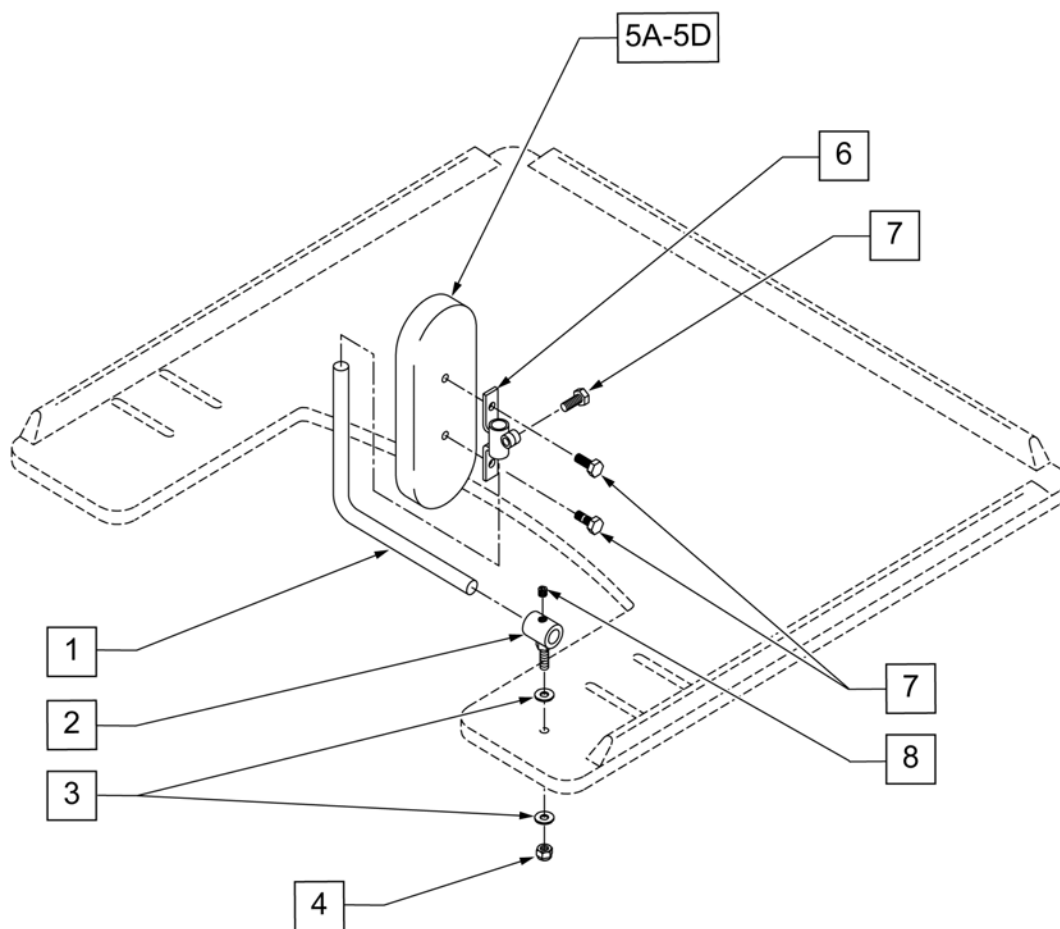


Pos.	Item Number	Description	Pos.	Item Number	Description
1A	9004	19" WOOD TRAY RIBS	2A	9004	19" WOOD TRAY RIBS
1A	9005	21" WOOD TRAY RIBS	2A	9005	21" WOOD TRAY RIBS
1A	9006-QU	23 1/2" WOOD TRAY RIBS	2B	9007-QU	15 1/2" HEAVY DUTY RIB FOR WOOD TRAY
1B	9010	19" HEAVY DUTY RIB FOR WOOD TRAY	2B	9010	19" HEAVY DUTY RIB FOR WOOD TRAY
1B	9013	21" HEAVY DUTY RIB FOR WOOD TRAY	2B	9013	21" HEAVY DUTY RIB FOR WOOD TRAY
1B	9016	23 1/2" HEAVY DUTY RIB FOR WOOD TRAY	2C	9008-QU	15 1/2" HEAVY DUTY RIB FOR 3/8" TUFFAK
1C	9011-QU	19" HEAVY DUTY RIB FOR 3/8" TUFFAK	2C	9011-QU	19" HEAVY DUTY RIB FOR 3/8" TUFFAK
1C	9014	21" HEAVY DUTY RIB FOR 3/8" TUFFAK	2C	9014	21" HEAVY DUTY RIB FOR 3/8" TUFFAK
1C	9017	23 1/2" HEAVY DUTY RIB FOR 3/8" TUFFAK	3A	2268	#6 x 5/8" OVAL PHILLIPS SCREW
2A	9003	15 1/2" WOOD TRAY RIBS	3B	230047	#6 x 3/4" FH PHIL S/M SCREW

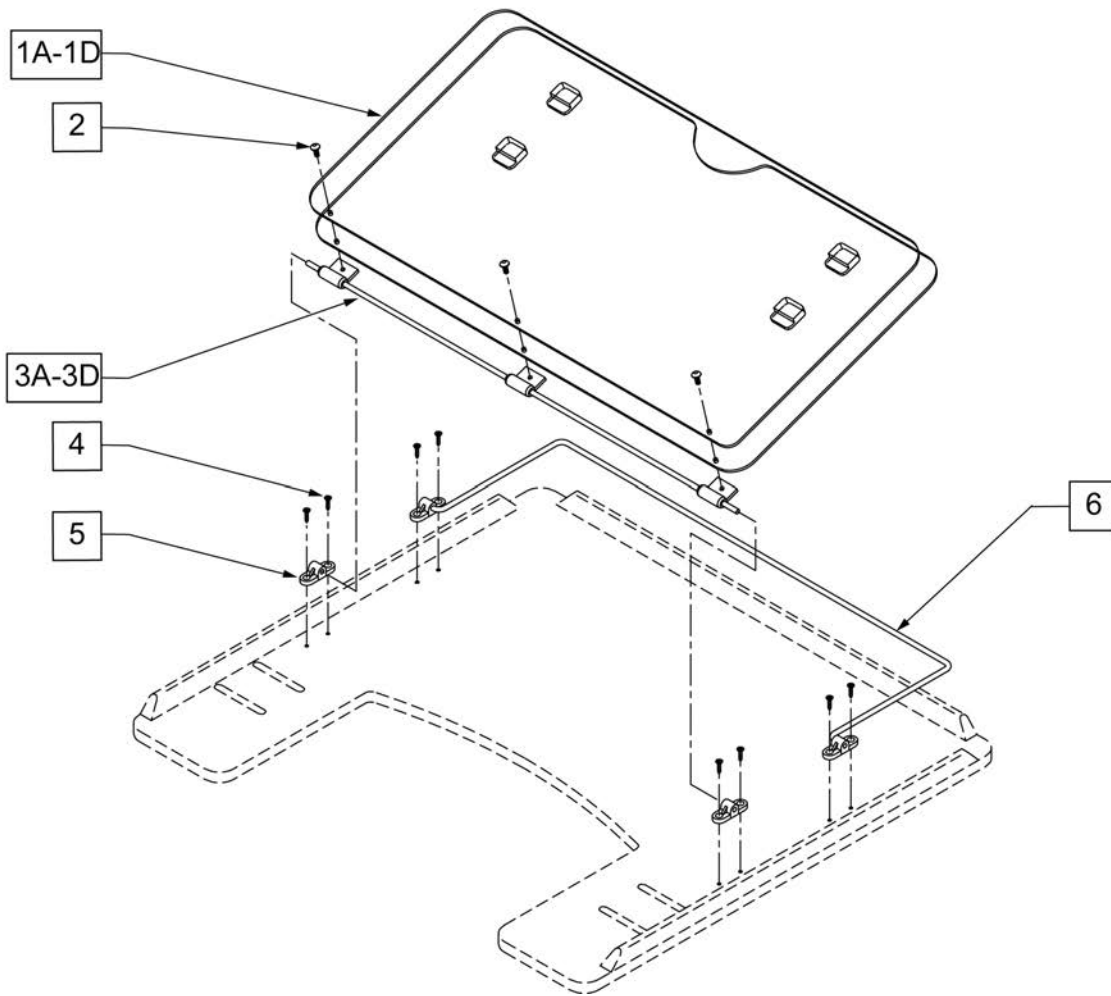
Note: Pad cannot be added to an existing tray as snaps must be installed at the factory to function correctly.



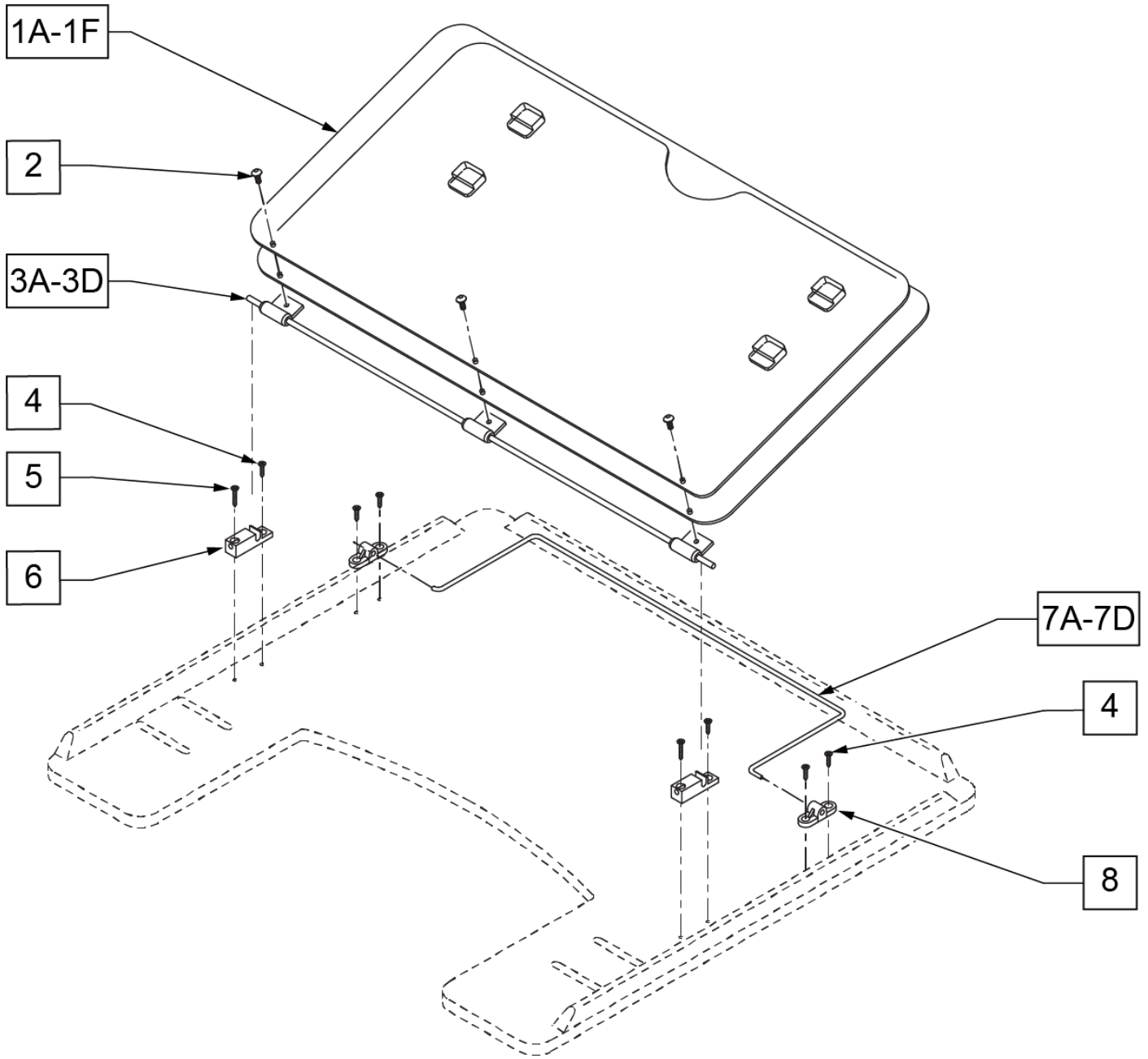
Pos.	Item Number	Description	Remarks
1-3	9PS	PADDED STOMACH CUT OUT	(SPECIFY COLOR)



Pos.	Item Number	Description	Remarks
1	450752	HEADREST ADJUSTMENT BAR	
2	450751	HEADREST PAD BUSHING	
3	2702	#10 SAE FLAT WASHER	
4	106932	1/4 -20 NYLOCK NUT HIGH	
5A	15022	4X6 RECTANGULAR PAD	
5B	15013	5 x 7 OVAL PAD	
5C	755020	4 x 5 OVAL PAD	
5D	15018	4 x 6 OVAL PAD	
6	450750	HEADREST PAD BRACKET	
7	221105-QU	1/4-20 x 3/4" HEX C/S	
8	2270	5/16-18 x 1/4" SOC SET SCREW	
1-4,5A,6-8	14980A	TRAY PROTRACTION ASSM-4X6 RECT	PAIR
1-4,5B,6-8	14980B	TRAY PROTRACTION ASSM-5X7 OVAL	PAIR
1-4,5C,6-8	14980D	TRAY PROTRACTION ASSM-4X5 OVAL	PAIR
1-4,5D,6-8	14980E	TRAY PROTRACTION ASSM-4X6 OVAL	PAIR



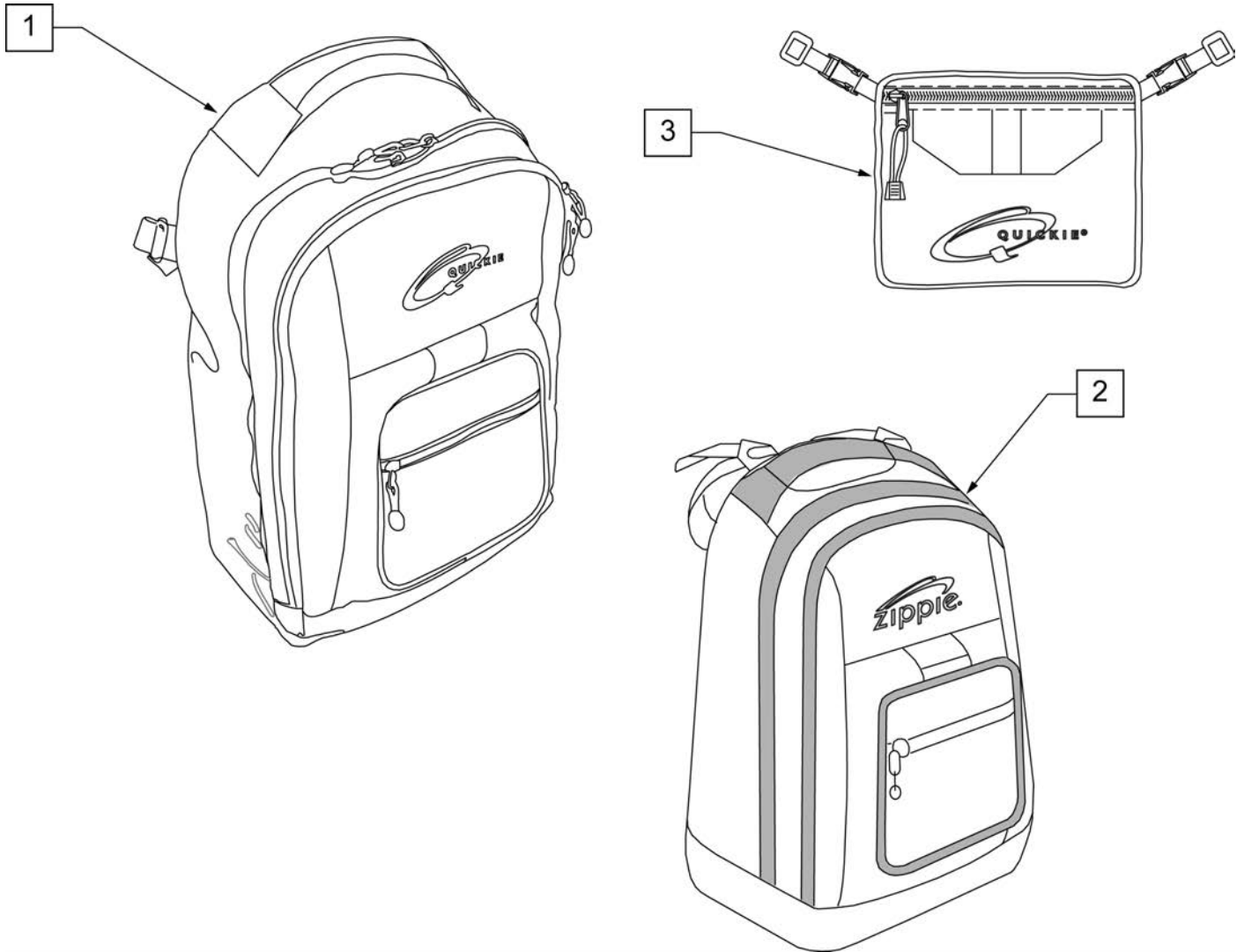
Pos.	Item Number	Description
1A,2	17916	9-1 STYLE 3 OVERLAY ONLY
1B,2	17917	9-2 STYLE 3 OVERLAY ONLY
1C,2	17918	9-5 STYLE 3 OVERLAY ONLY
1D,2	17939	9-6 STYLE 3 OVERLAY ONLY
2	226017	10-32 x 3/8 BH C/S BLK
3A	17922	9-1 HINGED OVERLAY PIVOT BAR
3B	17923	9-2 HINGED OVERLAY PIVOT BAR
3C	17924	9-5 HINGED OVERLAY PIVOT BAR
3D	17929	9-6 HINGED OVERLAY PIVOT BAR
4	2266	#6 x 1/2" FL DH PHL SCREW
5	4061	TRAY OVERLAY MOUNTING BRACKET
6A	17925	TRAY OVERLAY ROD
6B	17926	9-2 OVERLAY ROD
6C	17927	9-5 OVERLAY ROD
6D	17928	9-6 TRAY OVERLAY ROD
1A,2,3A,4,5,6A	17919	9-1 STYLE 3 OVERLAY ASSM
1B,2,3B,4,5,6B	17920	9-2 STYLE 3 OVERLAY ASSM
1C,2,3C,4,5,6C	17921	9-5 STYLE 3 OVERLAY ASSM
1D,2,3D,4,5,6D	17902	9-6 STYLE 3 OVERLAY ASSY



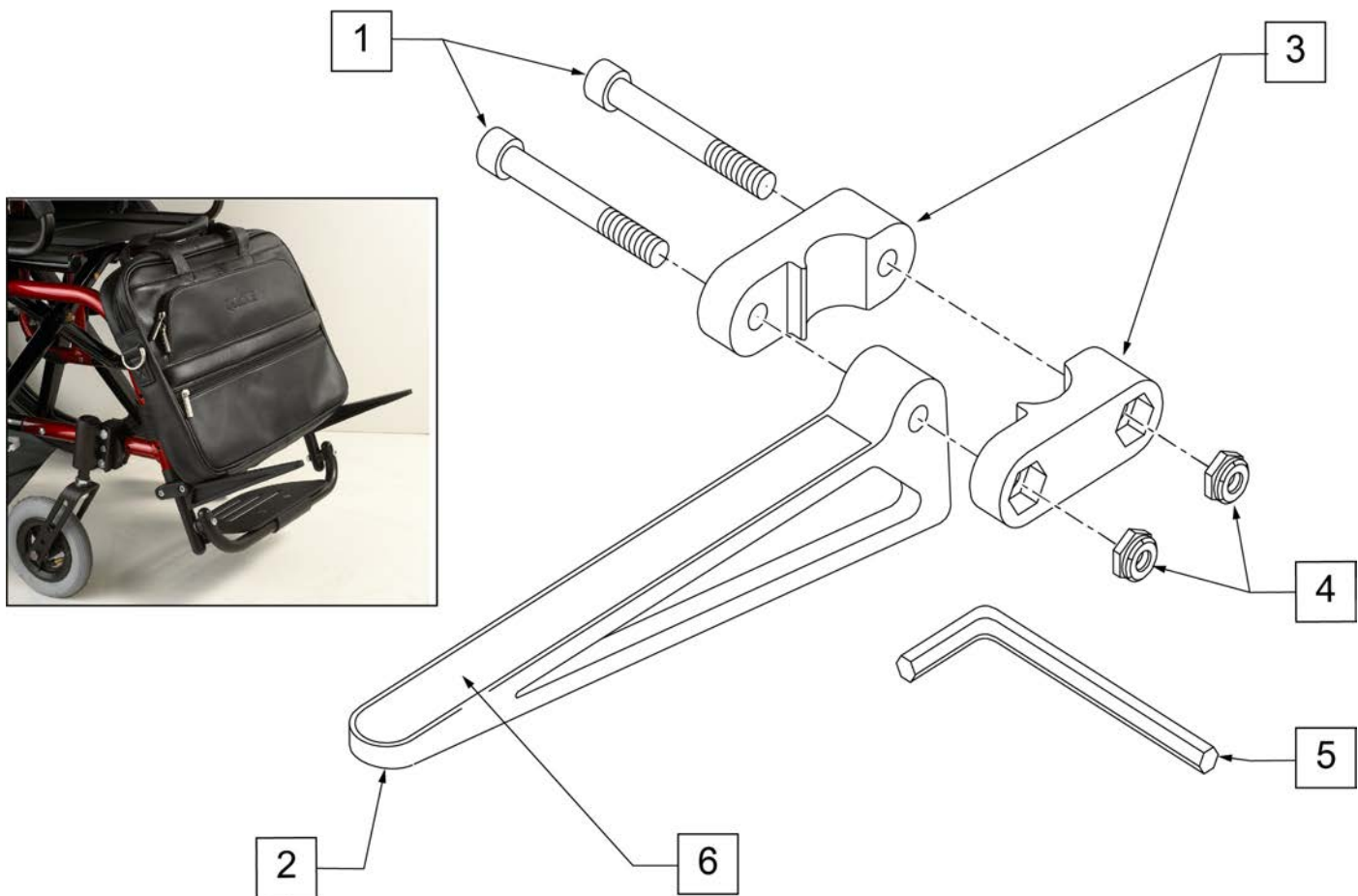
Pos.	Item Number	Description
1A	17935	9-1 STYLE 2 OVERLAY
1B	17936	9-2 STYLE 2 OVERLAY
1C	17937	9-5 STYLE 2 OVERLAY
1D	17938	9-6 STYLE 2 OVERLAY
1E	17930	STYLE #1 LEARNING BOARD
1F	17931	STYLE #1 FULL LEARNING BOARD
1A,2	17916	9-1 STYLE 3 OVERLAY ONLY
1B,2	17917	9-2 STYLE 3 OVERLAY ONLY
1C,2	17918	9-5 STYLE 3 OVERLAY ONLY
1D,2	17939	9-6 STYLE 3 OVERLAY ONLY
2	226017	10-32 x 3/8 BH C/S BLK
3A	17922	9-1 HINGED OVERLAY PIVOT BAR

Pos.	Item Number	Description
3B	17923	9-2 HINGED OVERLAY PIVOT BAR
3C	17924	9-5 HINGED OVERLAY PIVOT BAR
3D	17929	9-6 HINGED OVERLAY PIVOT BAR
4	2266	#6 x 1/2" FL DH PHL SCREW
5	230047	#6 x 3/4" FH PHIL S/M SCREW
6	14232	TRAY OVERLAY - QUICK RELEASE
7A	17925	TRAY OVERLAY ROD
7B	17926	9-2 OVERLAY ROD
7C	17927	9-5 OVERLAY ROD
7D	17928	9-6 TRAY OVERLAY ROD
8	4061	TRAY OVERLAY MOUNTING BRACKET
1A,2,3A,4-6,7A,8	17903	9-1 STYLE 3A OVERLAY ASSEMBLY
1B,2,3B,4-6,7B,8	17904	9-2 STYLE 3A OVERLAY ASSEMBLY
1,2,3C,4-6,7C,8	17905	9-5 STYLE 3A OVERLAY ASSEMBLY
1,2,3D,4-6,7D,8	17906	9-6 STYLE 3A OVERLAY ASSEMBLY

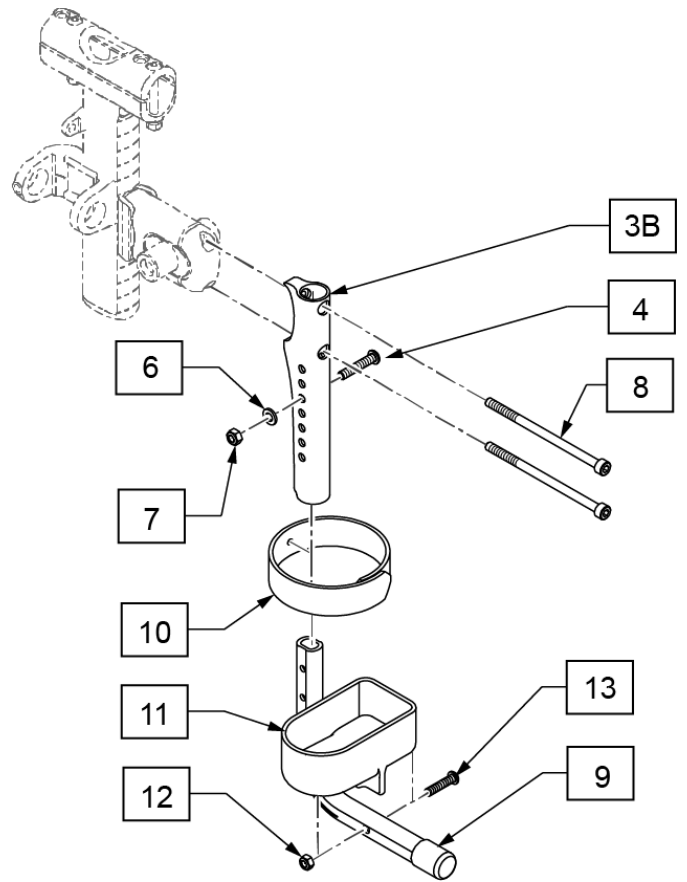
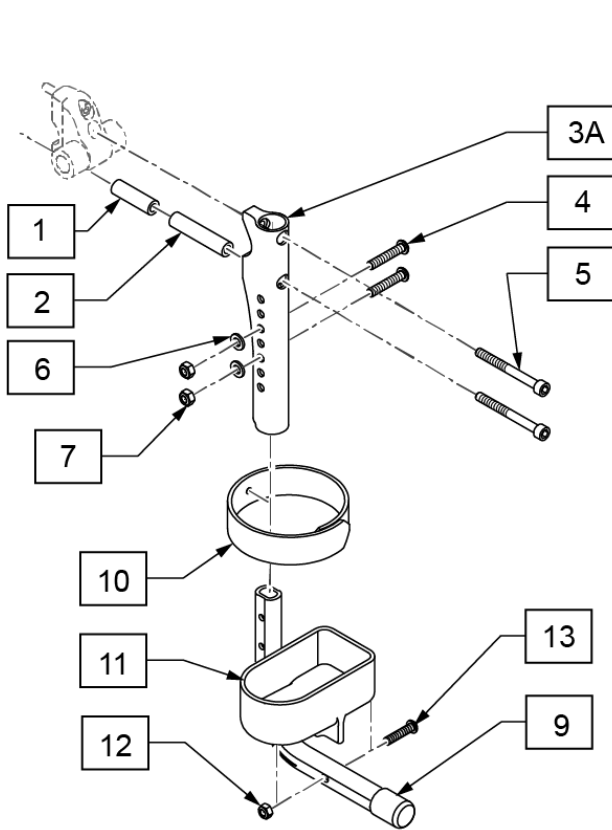
NOTE: KIDS BACKPACKS DO NOT HAVE ADJUSTABLE STRAPS W/ BUCKLES.



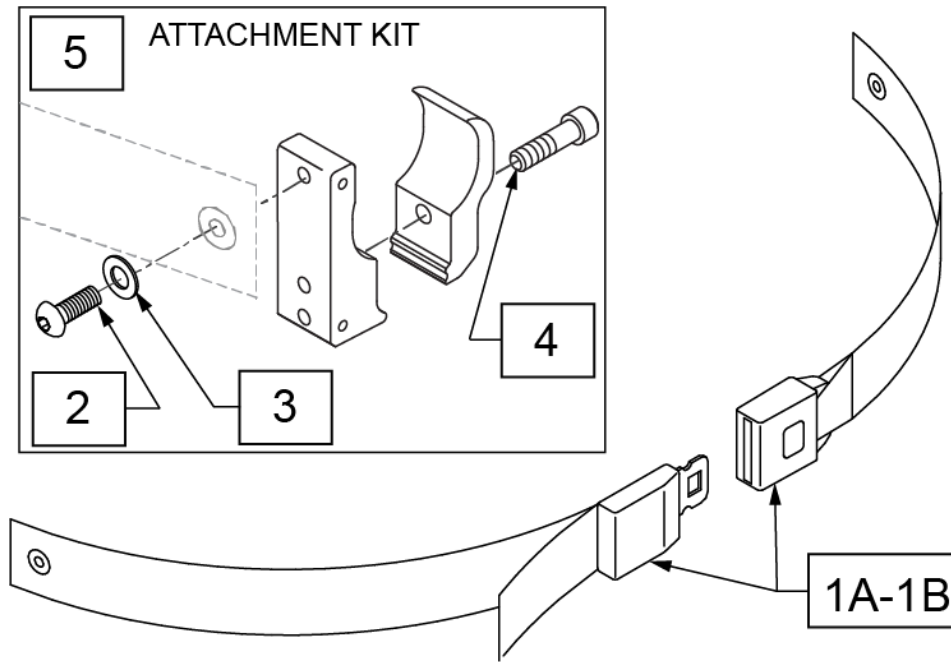
Pos.	Item Number	Description	Remarks
1	750115	BACK PACK QUICKIE	Overall dimensions:width 12.5", height 18.5", depth 6.5"
2	104572	BACKPACK ZIPPIE	Overall dimensions: width 12", height 16.5", depth 4.5"
3	750307	SEAT POUCH QUICKIE	Dimensions: width 8.5", height 6", depth top 2.5", depth bottom 3.5"



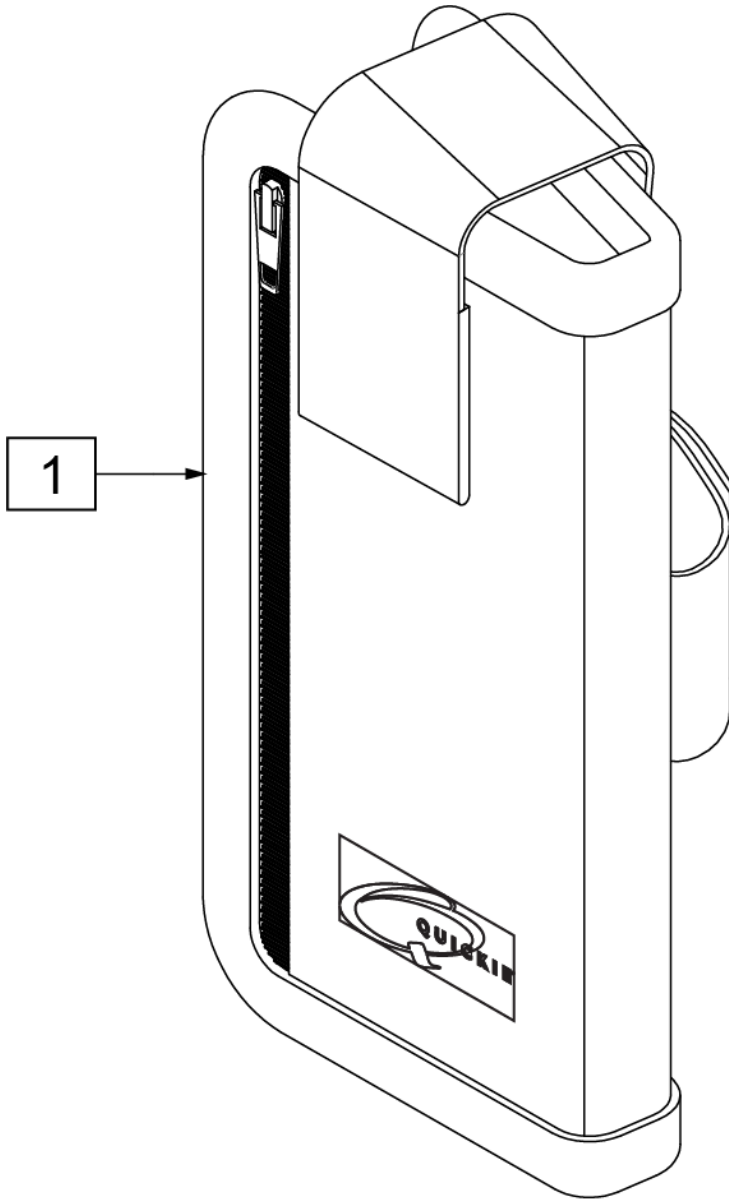
Pos.	Item Number	Description	Remarks
1	106975	1/4-28 x 1 1/4 SOC C/S	
2	561105	CADDY ARM	Clamps on to Extension Tube (3/4" round and D2); Caddy Arm length is 7 1/2"
3	561104	CADDY CLAMP	Clamps on to Extension Tube (3/4" round and D2)
4	106935	1/4-28 NYLOCK NUT THIN	
5	349998	3/16" ALLEN WRENCH	
6	580050	CADDY TAPE	
1-6	902350	QUICKIE CADDY (PR)	



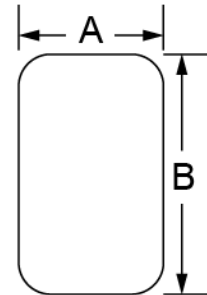
Pos.	Item Number	Description	Remarks
3A	76807511	ACCESSORIES WHEEL ADAPTER LW	
3B	76807521	SAFETY WHEEL ADAPTER STANDARD	
9	740815123	TIP ASSIST THREAD CAP	
3B,4,6-13	76807551-001	TIP ASSIST W/FRAME ADAPTER CPL STD	
2,3A,4-9	76807551-002	TIP ASSIST LIGHTWEIGHT	without Passive Adapter
1,3A,4-9	76807551-003	TIP ASSIST KPL LW FOR PASSIVE	for Passive Adapter
10-13	740815120	CRUTCH HOLDER WITH VELCRO	



Pos.	Item Number	Description	Remarks
1A	069939	POSITIONING BELT SHORT ASSY	
1B	069935	POSITIONING BELT LONG ASSY	
2	230113	BHCS M6X 1 X 12	
3	250104	WASHER FLAT M6	Metric
4	102263-003	SHCS M6 X 1 X 25, FULL, PL	Metric
5	116268	OVAL CLAMP ASSM KIT	Kit contains 1 Clamp

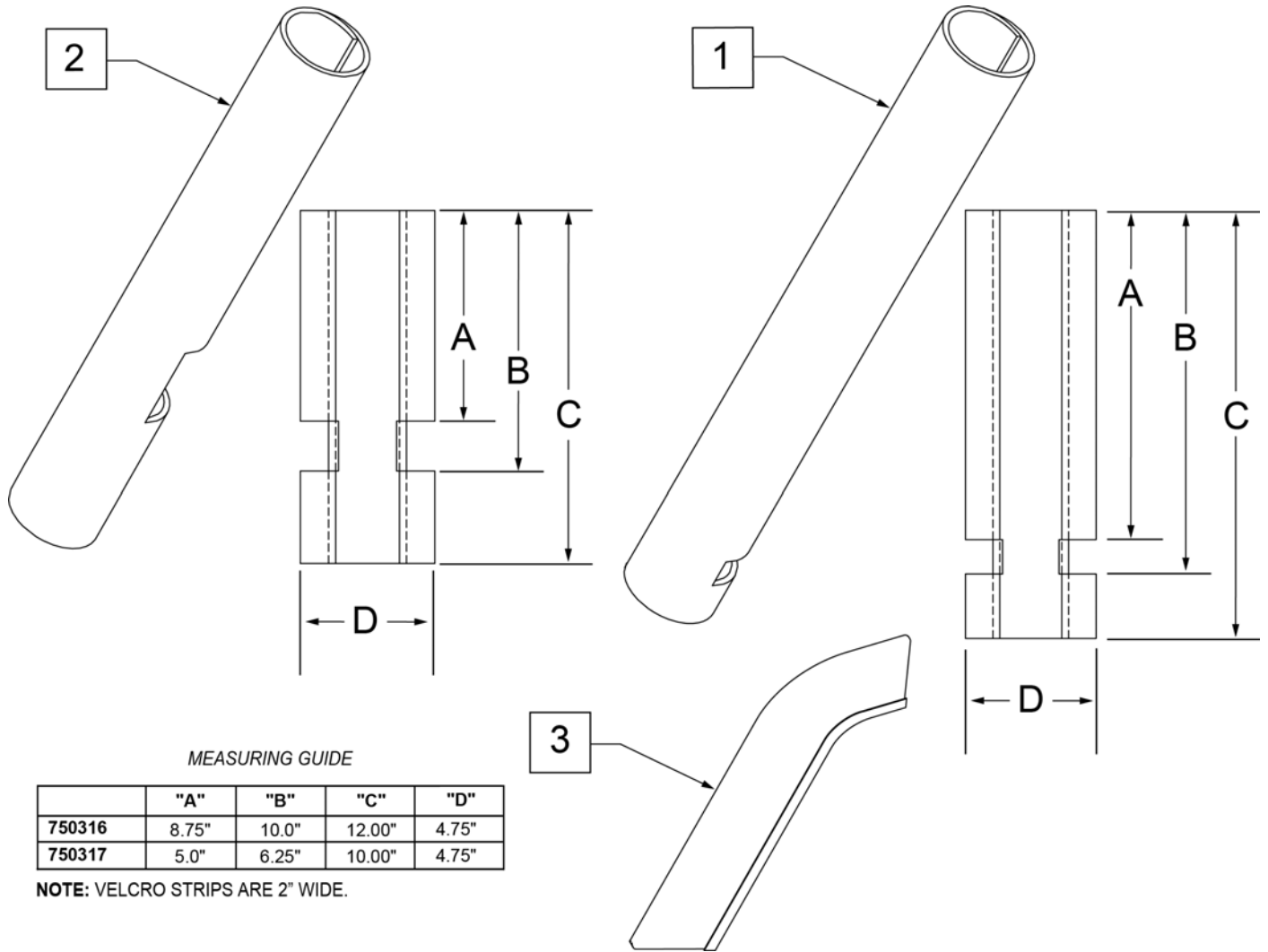


Measuring Guide



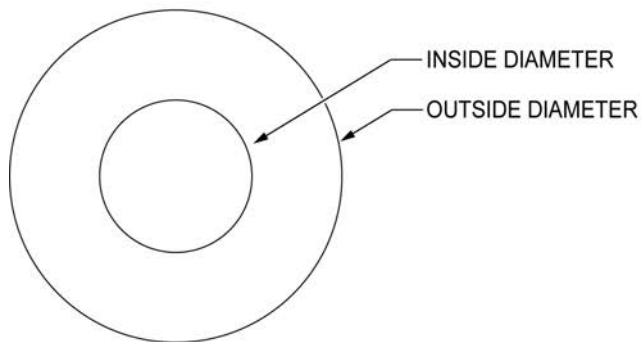
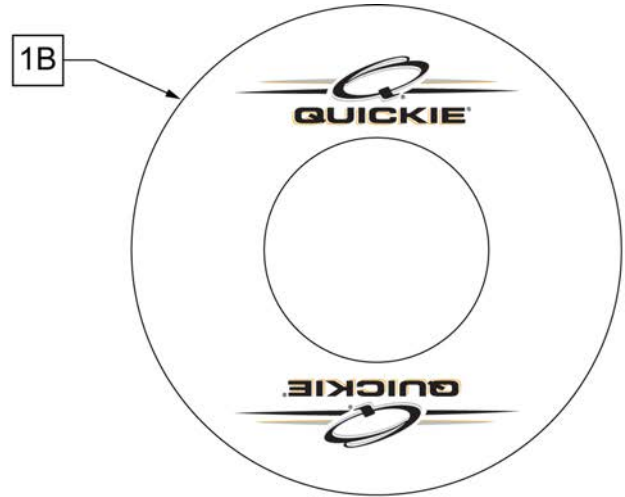
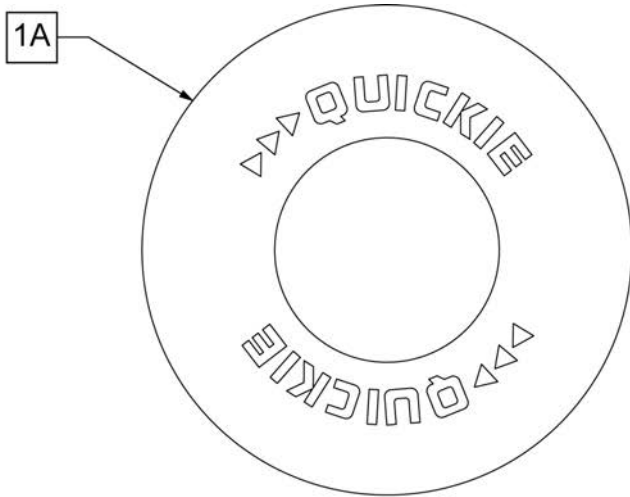
A	B
2 3/4"	6"

Pos.	Item Number	Description
1	000670004	CELLPHONE CASE W/LOGO



Pos.	Item Number	Description	Remarks
1	750316	IMPACT GUARDS NEOPRENE FIXED (PR)	PAIR-Fixed Front Frame
2	750317	IMPACT GUARDS NEOPRENE S/A	PAIR-S/A Footrest & Q7
3	109231	GEL VELCRO PAD HANGER/FRAME	PAIR- fits S/A & Fixed Front Frame
4	108315	GEL PAD SA ARM	Single, fits Padded SA Armrest

Note: Not available with 5 Spoke Mag or Xtender wheels. Not available with Projection style handrims.

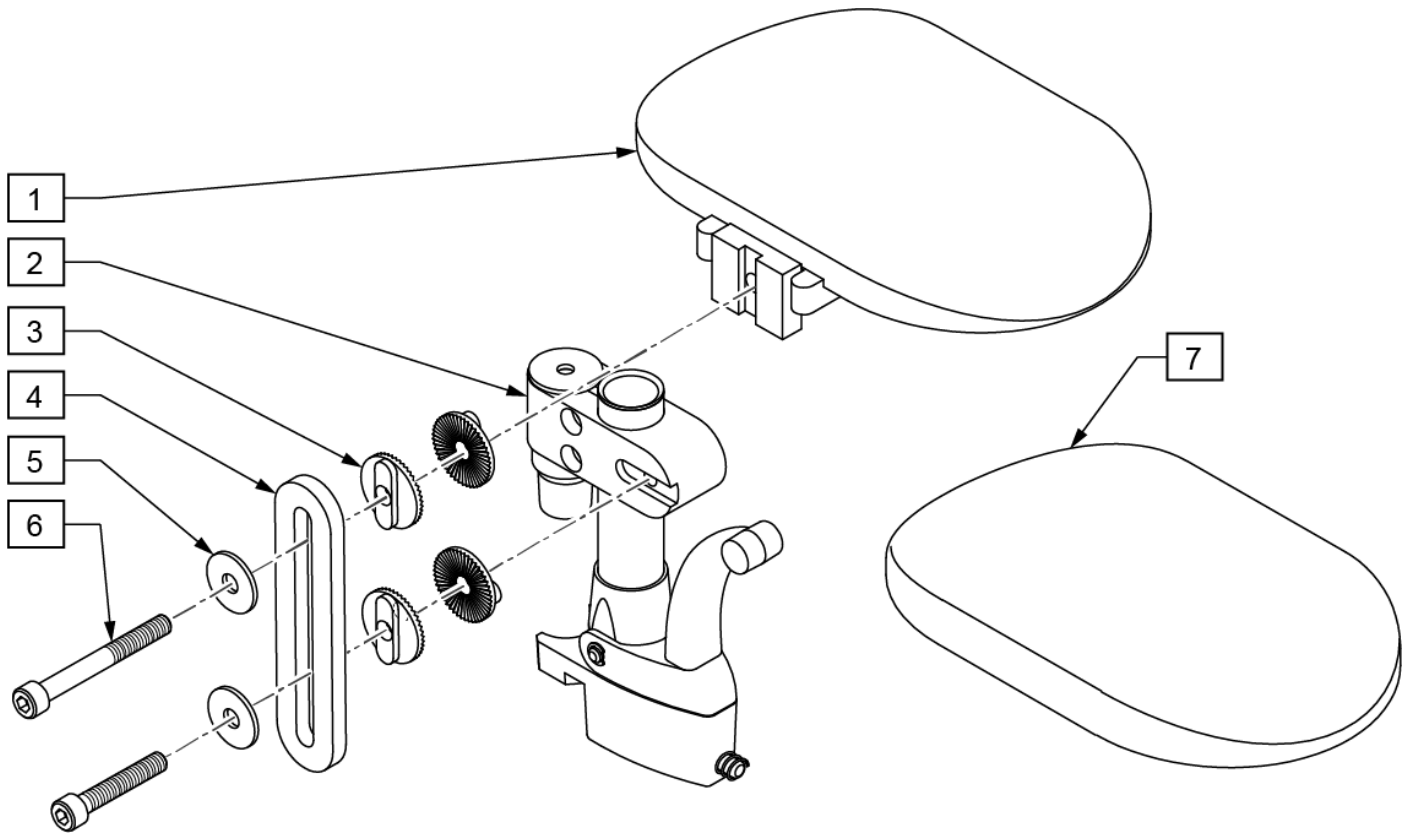


SPOKE GUARD MEASURING GUIDE

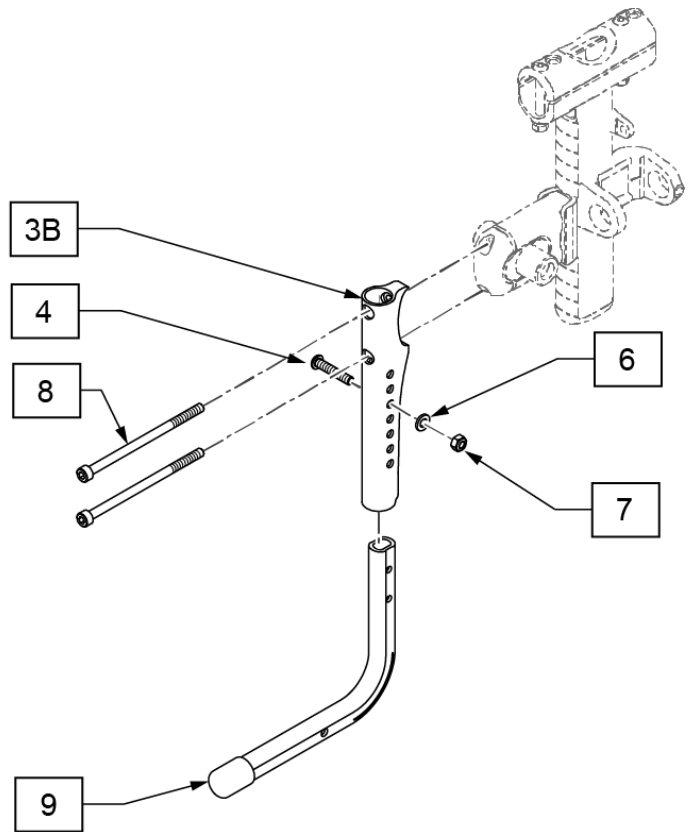
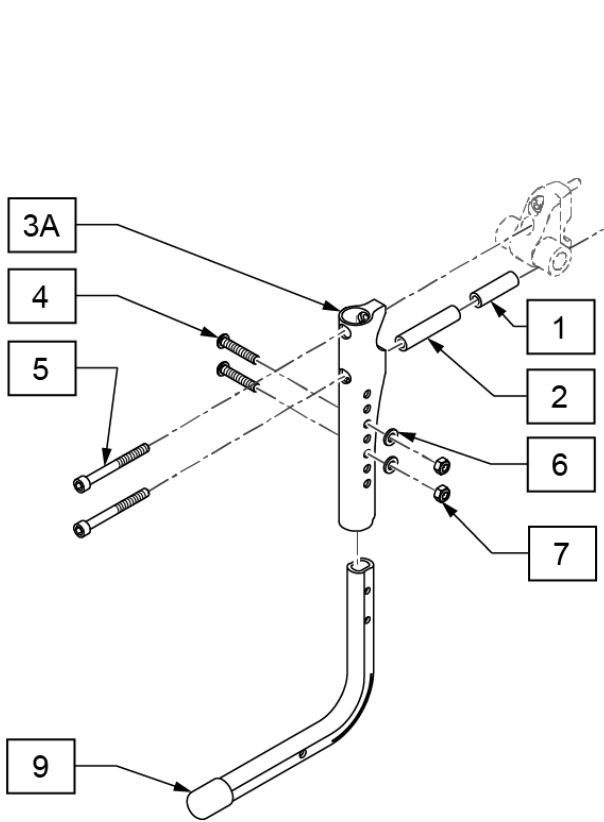
PART NUMBER	INSIDE DIAMETER	OUTSIDE DIAMETER
902001	8 1/4	15 7/8
902011	8 1/4	18 1/8
902021	10 1/4	19 5/8
902025	10 1/4	20 3/8
902037	10 1/4	21 7/8
902038	10 1/4	23 3/8
103660-001	8 1/4	16
103660-002	8 1/4	18
103663-001	10 1/4	20 1/2
103663-002	10 1/4	23 1/2
103734-001	10 1/4	19 1/4
103734-002	10 1/4	22
119336	10 1/4	19 1/4

Pos.	Item Number	Description	Remarks
>>>>		BLACK SPOKE GUARDS	
1A	902001	SPK GRDS 20" QUICKIE BLK	PR-Black-fits 20" Whls
1A	902011	SPK GRDS 22" QUICKIE BLK	PR-Black-fits 22" Whls, 24" (540) Whls w/ Proj HR, 24" Mountain Spoke Whls, M6 24" (540) Spoke Whls
1A	902021	SPK GRD 24" QUICKIE SCR MT BLK	PR-Black-fits 24" (540) Mag & Spoke Whls
1A	902025	SPK GRD 24" QUICKIE TAB MT BLK	PR-Black-fits 25" (559) Spk Whls & 26" Mountain Spoke Whls
1A	902037	SPK GRD 26" QUICKIE TAB MT BLK	PR-Black-fits 26" (590) Whls
1A	902038	SPK GRD 26" QUICKIE HT BLK	PR-Black-fits 27" (700) Whls
>>>>		CLEAR SPOKE GUARDS	
1B	103660-001	CLEAR SPOKE GUARD 20"	PR-Clear-fits 20" Whls
1B	103660-002	CLEAR SPOKE GUARD 22"	PR-Clear-fits 22" Whls, 24" (540) Whls w/ Proj HR, 24" Mountain Spoke Whls, M6 24" (540) Spoke Whls

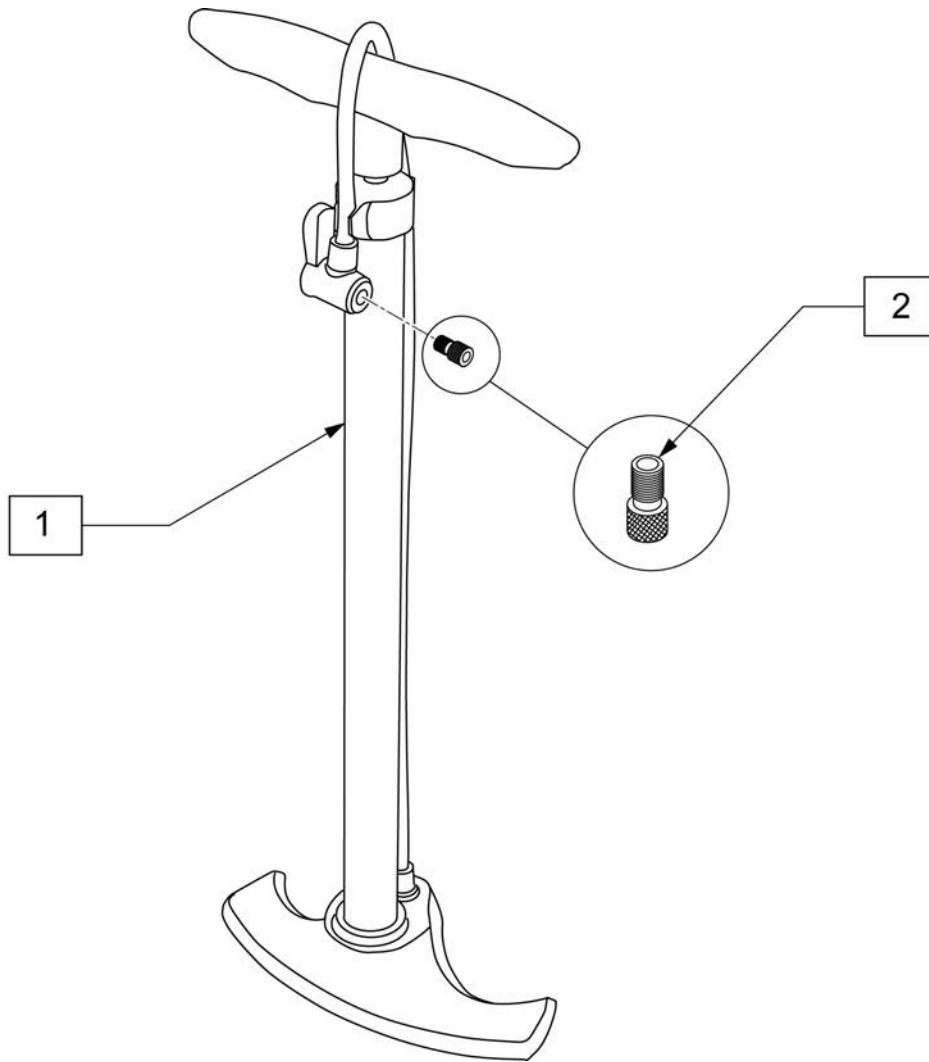
Note: Available on Swing-Away Frame only



Pos.	Item Number	Description	Remarks
1-7	064280-002	AMPUTEE SUPPORT LEFT	Left
1-7	064280-001	AMPUTEE SUPPORT RIGHT	Right



Pos.	Item Number	Description	Remarks
3A	76807511	ACCESSORIES WHEEL ADAPTER LW	
3B	76807521	SAFETY WHEEL ADAPTER STANDARD	
9	740815123	TIP ASSIST THREAD CAP	
3B,4,6-9	76807551-001	TIP ASSIST W/FRAME ADAPTER CPL STD	
2,3A,4-7,9	76807551-002	TIP ASSIST LIGHTWEIGHT	without Passive Adapter
1,3A,4-7,9	76807551-003	TIP ASSIST KPL LW FOR PASSIVE	for Passive Adapter

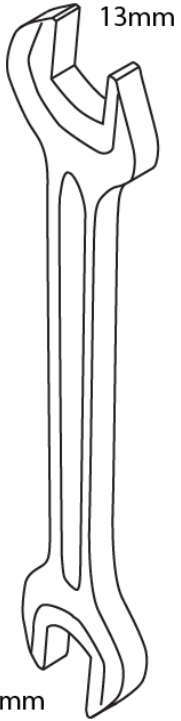


Pos.	Item Number	Description
1	389050	TIRE PUMP
2	381230	VALVE ADAPTER PRESTA

1

Wrench

13mm



10mm

Torx
Wrench:
T25



Allen Wrenches

8mm

6mm

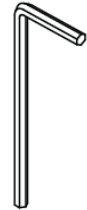
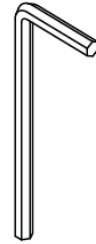
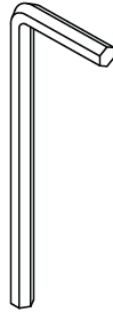
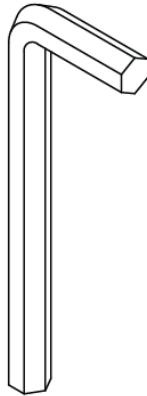
5mm

4mm

3mm

2.5mm

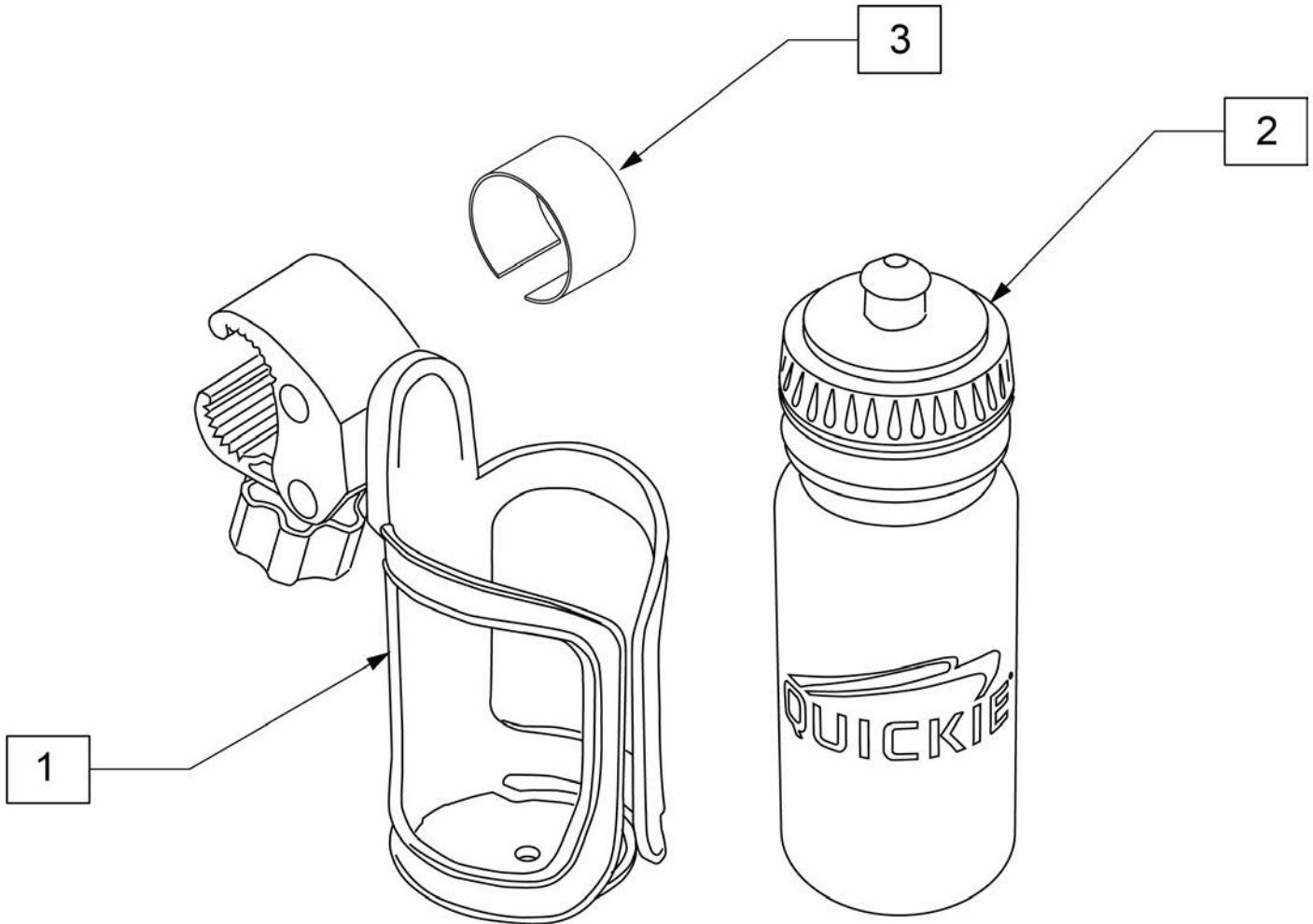
2mm



Pos.	Item Number	Description	Remarks
1	000604270	TOOL SET	Xenon 2 tool kit

Note: Water Bottle Cage clamp fits 3/4" to 1 1/2" round tubing, 7R/Q7 and Xenon oval tubing as well as Double "D" tubing; Max bottle diameter is 3 3/4".

Note: Use rubbing alcohol to clean area of frame where adhesive rubber strip (item 3) is to be located prior to instalation to insure best adhesion.



Pos.	Item Number	Description	Remarks
1	252135	WATER BOTTLE CAGE W/ CLAMP	Black
2	252136	QUICKIE WATER BOTTLE	Black
3	123526	ADHESIVE RUBBER PAD	
1-3	163680	WATER BOTTLE W/ CAGE AND CLAMP	