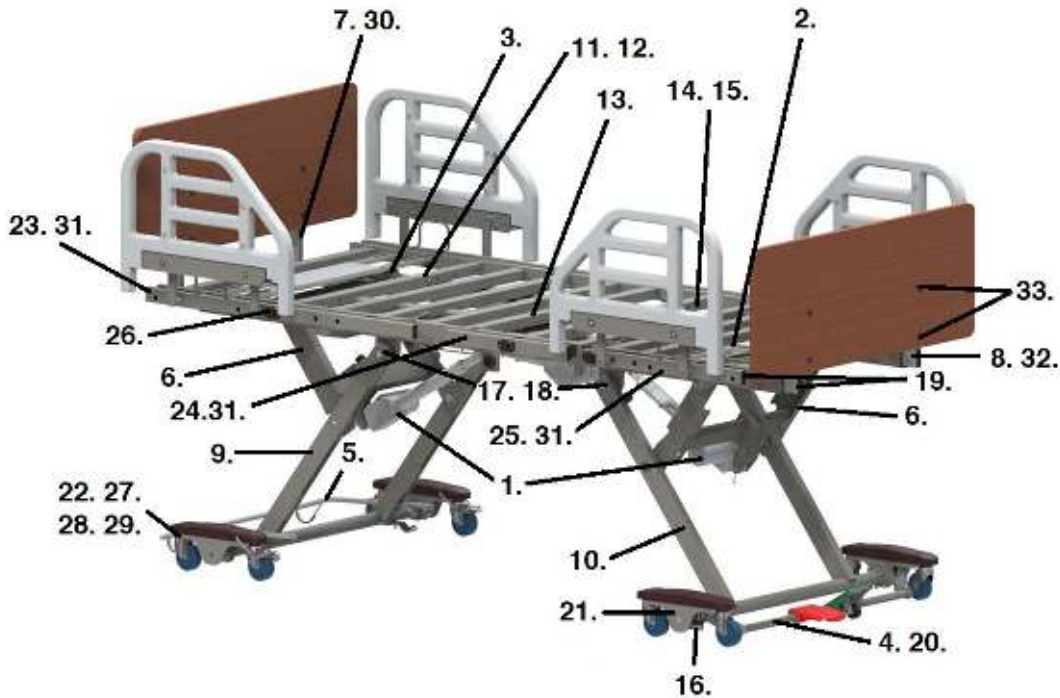


P750 LTC Bed



- | | |
|--|---|
| <ul style="list-style-type: none"> 1. Hi/Lo Actuator- SP01- TA23-1060-004 2. Leg Actuator- SP01-TA31-1060-007 3. Head Actuator- SP01-TA31-1060-008 4. Brake Pedal Assembly- SP01-P750-10016E 5. Wall Bumper Assembly- SP01-P907-10E 6. Leg Assembly (Upper)- SP01-P750-10001E 7. Head Board Brackets- SP01-P907-05E 7. Head Board Bracket Knobs (pr)- SP01-P903-10006E 8. Foot Board Brackets- SP01-P907-06E 9. Leg Assembly (Head)- SP01-P750-10002E 10. Leg Assembly (Foot)- SP01-P750-10003E 11. Head Deck- SP01-P750-10004E 12. Head/Thigh Deck Bolt/Washers(set)- SP01-P750-10007E 13. Thigh Deck- SP01-P750-10005E 14. Foot Deck- SP01-P750-10006E 15. Foot Deck Bolt/Washers (set)- SP01-P750-10008E 16. Adjustable Foot- SP01-PA18108301E 17. Bearing Kit (Pr)- SP01-P902-10018E 18. Bearing Kit- SP01-P902-10004-01-01E 19. Bed End Plastic Plug Set- SP01-P750-10014E 20. Brake Assembly- SP01-P907-13E 20. Brake Pedal Green (ea)- SP01-PO10040209E-G 20. Brake Pedal, Red (ea)- SP01-PO10040209E-R 21. Foot End Truck Assembly Right- SP01-P750-10017E 21. Foot End Truck Assembly Left- SP01-P750-10018E | <ul style="list-style-type: none"> 22. Head End Truck Assembly Right- SP01-P907-11E 22. Head End Truck Assembly Left- SP01-P907-12E 23. Head Width Ext. Assembly Right- SP01- P750-10019E 23. Head Width Ext. Assembly Left- SP01-P750-10020E 24. Middle Width Extension Left- SP01-P903WE-05E 24. Middle Width Extension Right- SP01-P903WE-02E 25. Foot Width Extension Right- SP01-P750-10021E 25. Foot Width Extension Left- SP01-P750-10022E 26. Width Extension Button- SP01-P903WE-10007E 27. Non-Locking Caster- SP01-P907-11-03E 28. Locking Caster -SP01-P907-11-02E 29. Caster Bail- SP01-P907-11-04E 30. Head Board Lock Pin- SP01-UA30120731E 31. Width Extension Locking Pin- SP01-UA30120451E 32. Foot Board Bracket Locking Pin- SP01-UA30170361E 33. Head/Foot Board Mtg. Screws- SP01-P903-10008E <p>Not Shown</p> <ul style="list-style-type: none"> Control Box- SP01-TC21-1060-004 Power Cord- SP01-P703-60-02E Hand Pendant W/Backlit-SP01-TH12-1060-001 "Y" Cable- SP01-P703-70E Foot Deck Mounting Brackets- SP01-P750-10009E Under Bed Light- SP01-TBL-1060-001 Pull Pin Clip Hardware Kit- SP01-P903-10017E |
|--|---|